

Handling MOS components

MOS components are extremely sensitive to static charges. Please observe therefore the following regulations:

1. Components sensitive to static charges are stored and shipped in protective package. On the packages you find the subsequent symbol.

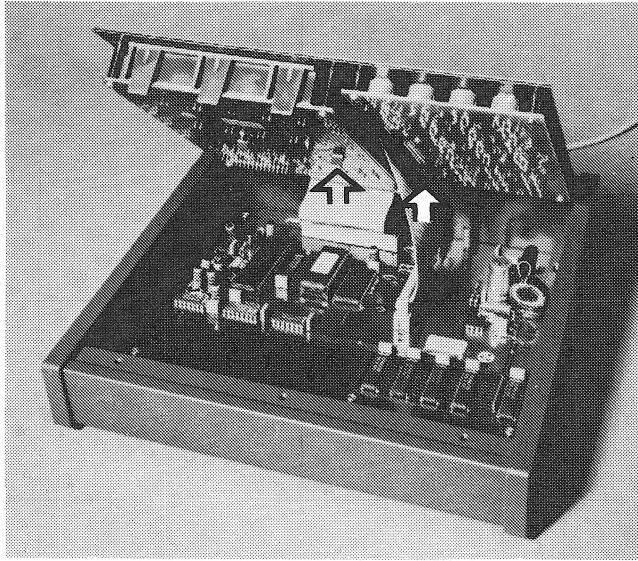
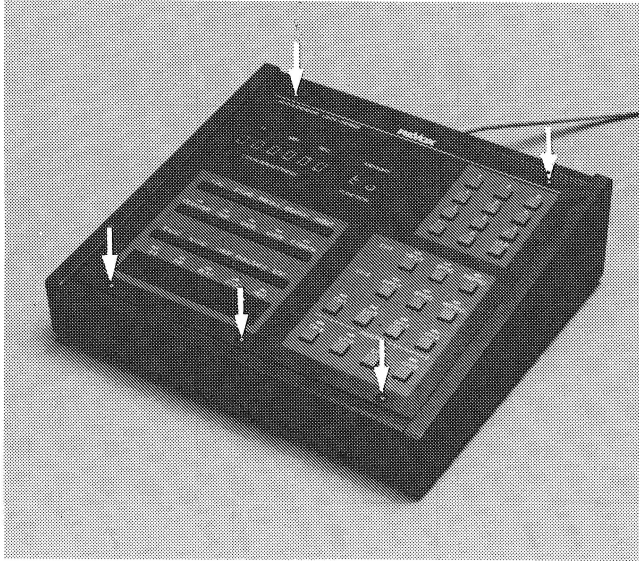


2. Avoid any contact of connector pins with foam packages and foils made of styro-por or similar chargeable package material.
3. Don't touch the connector pins when your wrist is not grounded with a conducting wristlet.

4. Use a grounded conducting mat when working with sensitive components.
5. Never plug or unplug PCBs containing sensitive components when the machine is switched on.

Subject to change

Copyright by WILLI STUDER AG
Printed in Switzerland
Order No. 10.30.1490 (Ed. 0190)
REVOX is a registered trade mark of
WILLI STUDER AG Regensdorf

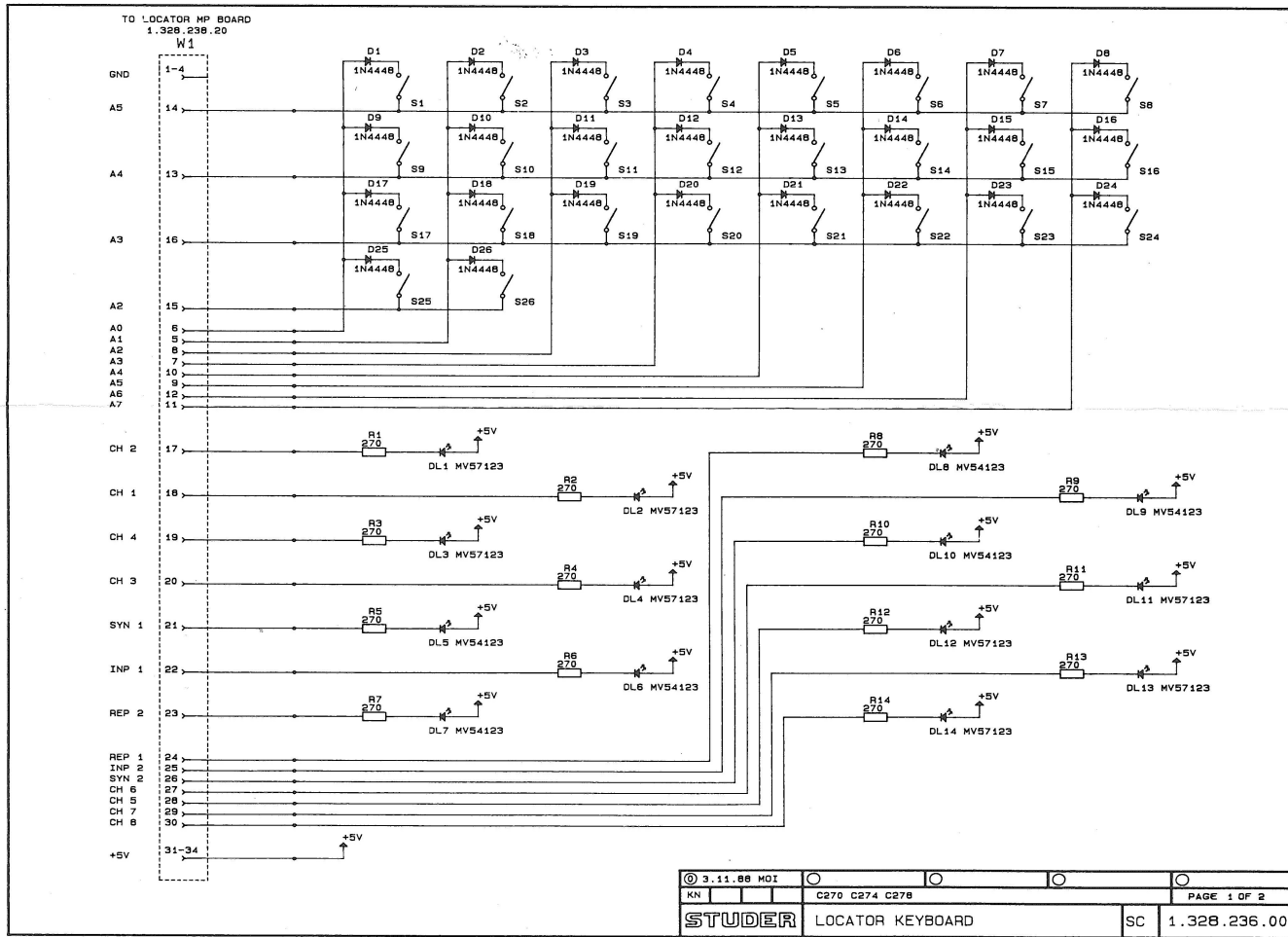


SPARE PARTS ERSATZTEILE PIÉCES DE RECHANGE

Qty...Order number...Part name...Specification....

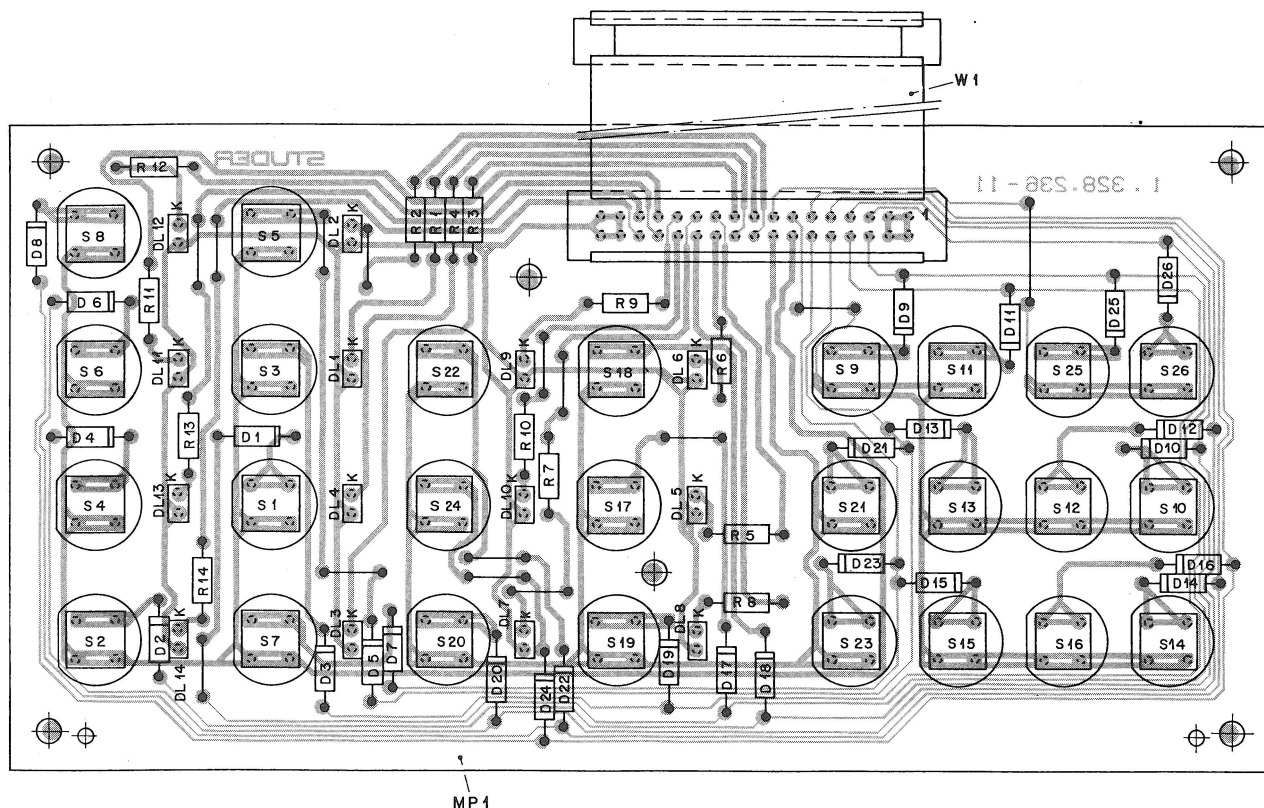
17	21.26.0353	< PHILLIPS HEAD SCREW M3 X5 ZYLINDERSCHRAUBE KS M3 X5 VIS CYLINDRIQUE CRUCIF. M3 X5
4	31.02.0211	< EQUIPMENT FOOT D.16 GERÄTEFUSS D.16" PIED D.16
1	54.21.1015	< PLUG DIN MAS-70 STECKER DIN MAS-70 FICHE DIN MAS-70
4	1.010.001.21	< OVAL HEAD SCREW M4 X10 AL BLK LINSCHRAUBE M4 X10 AL BLK VIS TÊTE BOMBÉE M4 X10 AL BLK
5	1.010.025.21	< OVAL HEAD ALLEN SCREW M3 X6 LINSCHRAUBE IS M3 X6 VIS BOMBÉE IS M3 X6
1	1.128.088.00	CABLE / AUTOLOCATOR ANSCHLUSSKABEL / AUTOLOCATOR CABLE RACCORDEMENT/AUTOLOCATOR
1	1.328.235.02	FRONT PANEL / AUTOLOCATOR FRONTPLATTE / AUTOLOCATOR PLAQUE FRONTALE / AUTOLOCATOR
2	1.328.235.04	SIDE PANEL SEITENABDECKUNG GARNITURE LATÉRALE

LOCATOR KEYBOARD 1.328.236.00



**LOCATOR KEYBOARD 1.328.236.00
KEY AND LED CONFIGURATION**

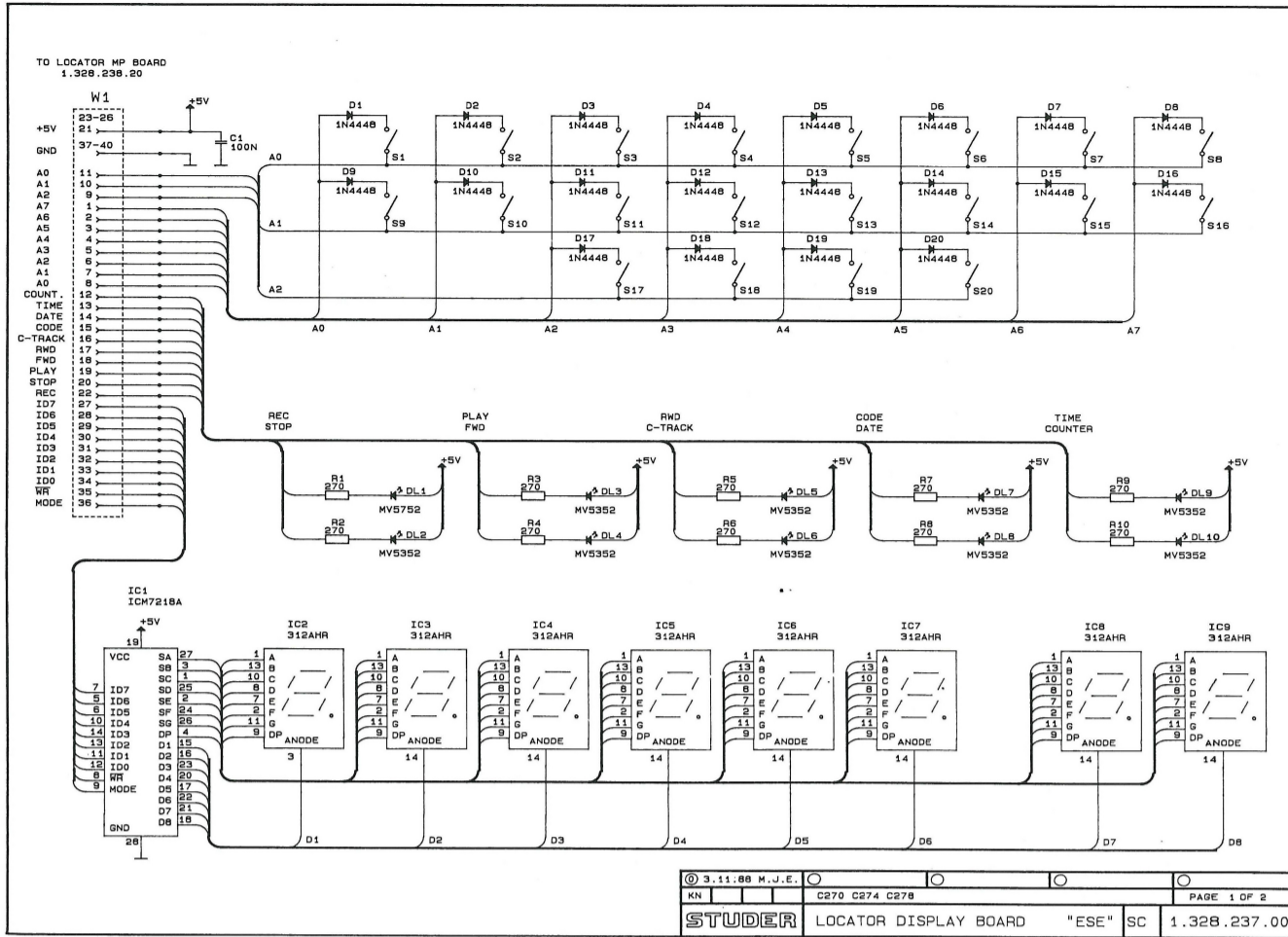
KEY	FUNCTION	LED	FUNCTION
S1	CH 3	DL 4	CH 3
S2	CH 8	DL 14	CH 8
S3	CH 2	DL 1	CH 2
S4	CH 7	DL 13	CH 7
S5	CH 1	DL 2	CH 1
S6	CH 6	DL 11	CH 6
S7	CH 4	DL 3	CH 4
S8	CH 5	DL 12	CH 5
S9	+/-		
S10	8		
S11	1		
S12	5		
S13	2		
S14	9		
S15	3		
S16	6		
S17	SYN 1	DL 5	SYN 1
S18	INP 1	DL 6	INP 1
S19	REP 1	DL 8	REP 1
S20	REP 2	DL 7	REP 2
S21	0		
S22	INP 2	DL 9	INP 2
S23	CLR		
S24	SYN 2	DL10	SYN 2
S25	4		
S26	7		



LOCATOR KEYBOARD 1.328.236.00

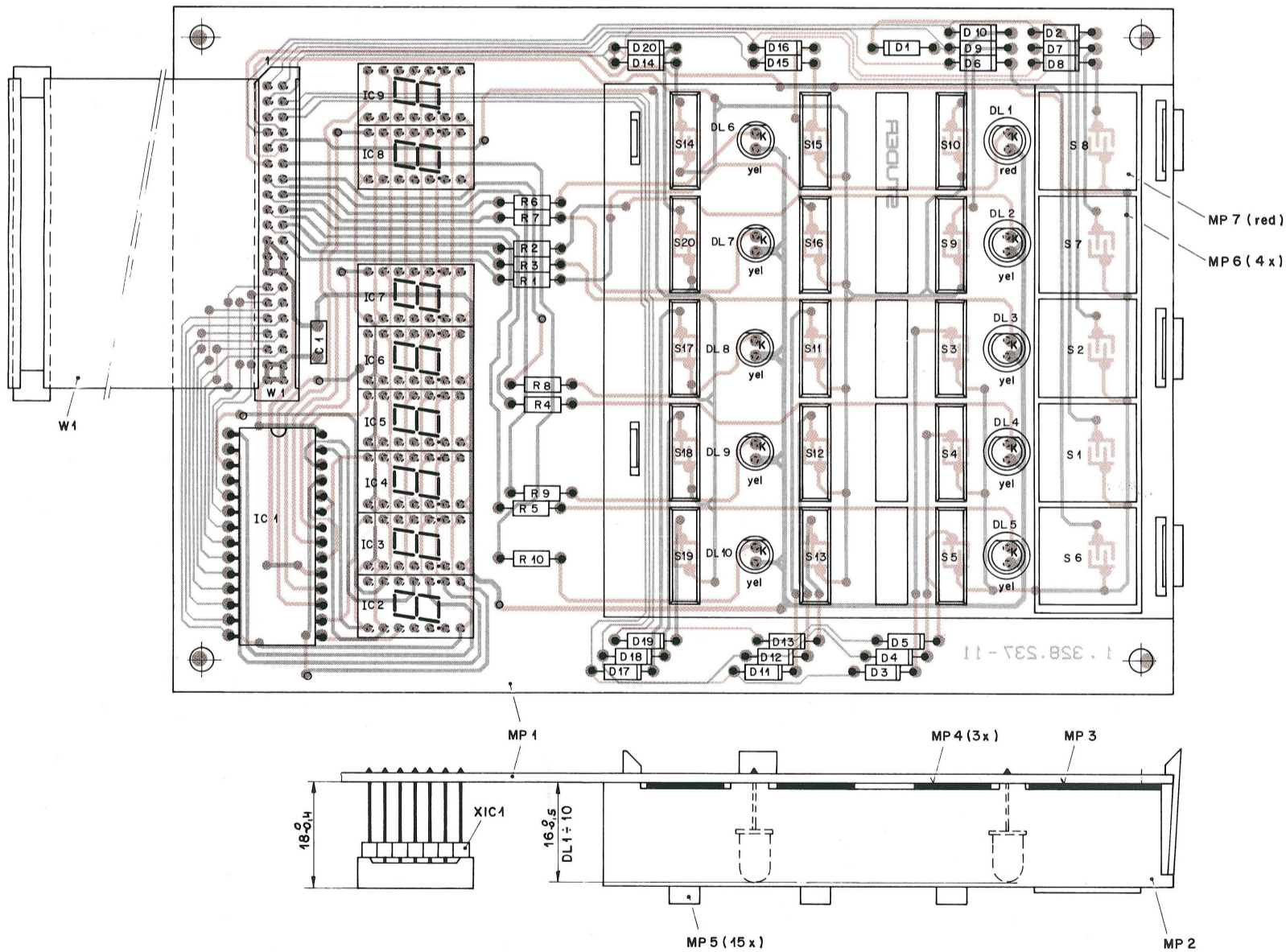
Ad	..Pos..	...Ref.No...	Description
D..0001		50.04.0125	1N 4448	S1
"	"	"	"	"
"	"	"	"	"
D..0026		50.04.0125	1N 4448	S1
DL.0001		50.04.2701	MV 57123	RED
DL.0002		50.04.2701	MV 57123	RED
DL.0003		50.04.2701	MV 57123	RED
DL.0004		50.04.2701	MV 57123	RED
DL.0005		50.04.2703	MV 54123	GRN
DL.0006		50.04.2703	MV 54123	GRN
DL.0007		50.04.2703	MV 54123	GRN
DL.0008		50.04.2703	MV 54123	GRN
DL.0009		50.04.2703	MV 54123	GRN
DL.0010		50.04.2703	MV 54123	GRN
DL.0011		50.04.2701	MV 57123	RED
DL.0012		50.04.2701	MV 57123	RED
DL.0013		50.04.2701	MV 57123	RED
DL.0014		50.04.2701	MV 57123	RED
MP.0001		1.328.236.11	LOCATOR KEYBOARD PCB	
MP.0002		1.328.236.01	LABEL	
R..0001		57.11.3271	270	1%, 0207, MF
"	"	"	"	"
"	"	"	"	"
R..0014		57.11.3271	270	1%, 0207, MF
S..0001		55.15.0130		KEY IMPULSE
"	"	"	"	"
"	"	"	"	"
S..0026		55.15.0130		KEY IMPULSE
W..0001		1.328.239.00	34 POL.	FLATCABLE

LOCATOR DISPLAY BOARD 1.328.237.00



LOCATOR DISPLAY BOARD 1.328.237.00
KEY AND LED CONFIGURATION

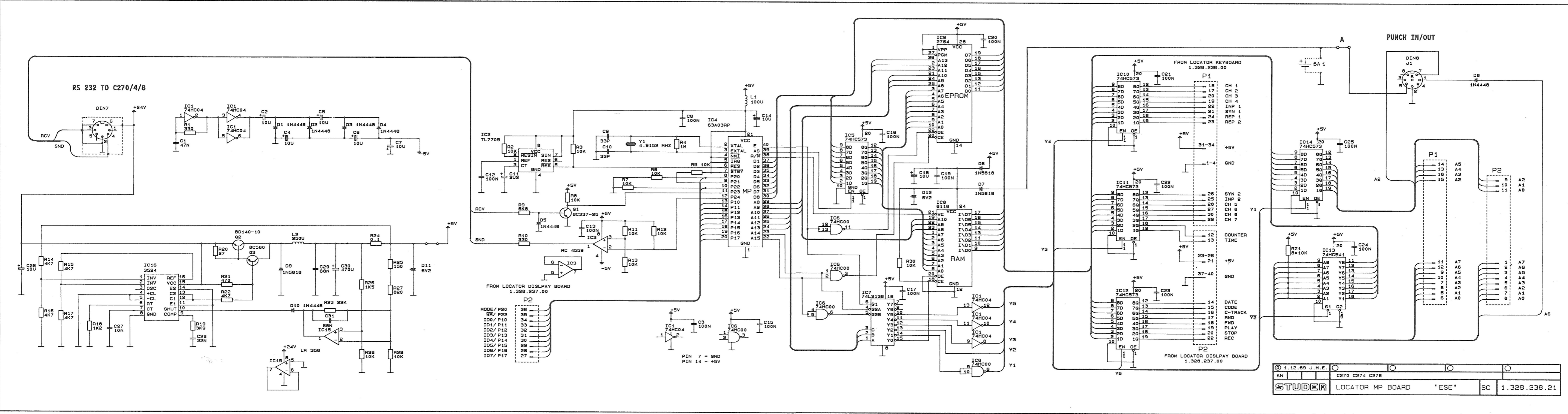
KEY	FUNCTION	LED	FUNCTION
S1	FWD	DL 4	FWD
S2	PLAY	DL 3	PLAY
S3	LOOP		
S4	A-LOC		
S5	O-LOC		
S6	RWD	DL 5	RWD
S7	STOP	DL 2	STOP
S8	REC	DL 1	REC
S9	ROLLBACK		
S10	EDIT		
S11	DATE	DL 8	DATE
S12	TIME	DL 9	TIME
S13	COUNTER	DL 10	COUNTER
S14	RESET		
S15	C-TRACK	DL 6	C-TRACK
S16	CODE	DL 7	CODE
S17	RECALL		
S18	STORE		
S19	LOC		
S20	SEARCH		



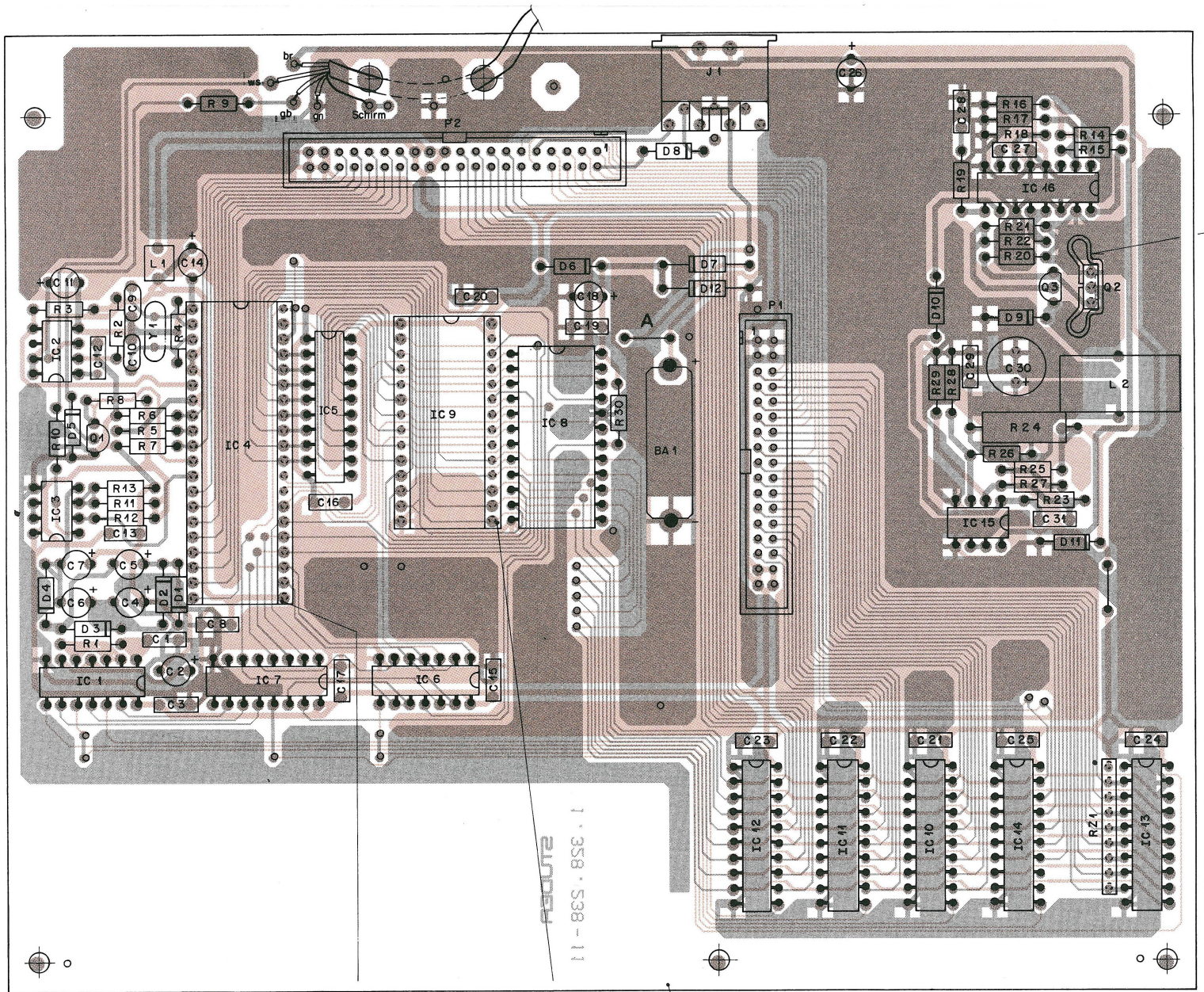
LOCATOR DISPLAY BOARD A 1.328.237.00

Ad ..Pos.. ..Ref.No... Description

C..0001	59.06.0104	.1 U	10%, 63V, PETP	MP.0001	1.328.237.11	LOCATOR DISPLAY BOARD PCB
D..0001	50.04.0125		1N 4448 SI	MP.0002	1.328.235.05	OPERATIONCASE
"	"	"	"	MP.0003	1.777.100.26	1 pcs SWITCHMAT 1
"	"	"	"	MP.0004	1.777.100.27	3 pcs SWITCHMAT 2
D..0020	50.04.0125		1N 4448 SI	MP.0005	1.777.100.35	15 pcs KEY 3
DL.0001	50.04.2115		MV 5752 RED	MP.0006	1.777.100.34	4 pcs KEY 2
DL.0002	50.04.2500		MV 5352 YEL	MP.0007	1.777.100.32	1 pcs KEY 2 RED
"	"	"	"	MP.0008	1.328.237.01	LABEL
"	"	"	"	MP.0009	43.01.0108	ESE-LABEL
DL.0010	50.04.2500		MV 5352 YEL	R..0001	57.11.3271	270 1%, 0207, MF
IC.0001	50.07.0035		ICM 7218 AIJI	"	"	"
IC.0002	73.01.0131		7-SEGM.DISPLAY LED RED 7.6 MM	R..0010	57.11.3271	270 1%, 0207, MF
"	"	"	"	W..0001	1.023.114.02	40 POL. FLATCABLE
IC.0009	73.01.0131		7-SEGM.DISPLAY LED RED 7.6 MM	XIC0001	53.03.0228	112 pcs SINGLE LINE



© 1.12.89 J.M.E.			
KN	C270 C274 C278		
STUDER	LOCATOR MP BOARD	"ESE"	SC 1.328.238.21



1 358 · S38 - 11

XIC 1

XIC 2

MP1

MP 2

LOCATOR MP BOARD ,A 1.328.238.20

Ad	..Pes..	...Ref.No...	Description				
	BA.0001	89.01.0275	OPTION 3.6V , SL-350 T LITHIUM		IC.0008	50.14.0107		HM 6116 LP-4,MSM 5128-15,A
	C..0001	59.06.0473	.047 U 10%, 63V , PETP		IC.0009	1.328.234.20		EPROM ,A
	C..0002	59.22.8100	10 U -20%, 63V , EL		IC.0010	50.17.1573		74 HC 573 ,A
01	C..0002	59.22.6100	10 U -20%, 35V , EL		IC.0011	50.17.1573		74 HC 573 ,A
	C..0003	59.06.0104	.1 U 10%, 63V , PETP		IC.0012	50.17.1573		74 HC 573 ,A
	C..0004	59.22.8100	10 U -20%, 63V , EL		IC.0013	50.17.1541		74 HC 541 ,A
01	C..0004	59.22.6100	10 U -20%, 35V , EL		IC.0014	50.17.1573		74 HC 573 ,A
	C..0005	59.22.8100	10 U -20%, 63V , EL		IC.0015	50.05.0286		M 358 N ,OPAMP
01	C..0005	59.22.6100	10 U -20%, 35V , EL		IC.0016	50.05.0279		IP 3524 BN
	C..0006	59.22.8100	10 U -20%, 63V , EL		J..0001	54.20.2003	8 POL.	PRINT DIN
01	C..0006	59.22.6100	10 U -20%, 35V , EL		L..0001	62.02.3101	100 U	10%, RAD., RM 5
	C..0007	59.22.8100	10 U -20%, 63V , EL		L..0002	62.03.0025	250 U	2 A, FILTER
01	C..0007	59.22.6100	10 U -20%, 35V , EL		MP.0001	1.328.238.11		LOCATOR MP BOARD PCB
	C..0008	59.06.0104	.1 U 10%, 63V , PETP		MP.0002	50.20.3003		HEAT-SINK
	C..0009	59.34.2330	33 P 5%, N150 , CER		MP.0003	1.328.238.01		LABEL
	C..0010	59.34.2330	33 P 5%, N150 , CER		MP.0004	43.01.0108		ESE-LABEL
	C..0011	59.22.8229	2.2 U -20%, 63V , EL		MP.0005	1.101.001.20		LABEL
	C..0012	59.06.0104	.1 U 10%, 63V , PETP		P..0001	54.14.2007	34 POL.	PLUG , SN, STRAIGHT
	C..0013	59.06.0104	.1 U 10%, 63V , PETP		P..0002	54.14.2004	40 POL.	PLUG , SN, STRAIGHT
	C..0014	59.22.8100	10 U -20%, 63V , EL		Q..0001	50.03.0340		BC 337-25
01	C..0014	59.22.6100	10 U -20%, 35V , EL		Q..0002	50.03.0452		BD 140-10
	C..0015	59.06.0104	.1 U 10%, 63V , PETP		Q..0003	50.03.0496		BC 560
	C..0016	59.06.0104	.1 U 10%, 63V , PETP		R..0001	57.11.3331	330	1%, 0207 , MF
	C..0017	59.06.0104	.1 U 10%, 63V , PETP		R..0002	57.11.3103	10 K	1%, 0207 , MF
	C..0018	59.22.8100	10 U -20%, 63V , EL		R..0003	57.11.3103	10 K	1%, 0207 , MF
01	C..0018	59.22.6100	10 U -20%, 35V , EL		R..0004	57.11.3105	1 M	1%, 0207 , MF
	C..0019	59.06.0104	.1 U 10%, 63V , PETP		R..0005	57.11.3103	10 K	1%, 0207 , MF
	C..0020	59.06.0104	.1 U 10%, 63V , PETP		R..0006	57.11.3103	10 K	1%, 0207 , MF
	C..0021	59.06.0104	.1 U 10%, 63V , PETP		R..0007	57.11.3103	10 K	1%, 0207 , MF
	C..0022	59.06.0104	.1 U 10%, 63V , PETP		R..0008	57.11.3103	10 K	1%, 0207 , MF
	C..0023	59.06.0104	.1 U 10%, 63V , PETP		R..0009	57.11.3682	6.8 K	1%, 0207 , MF
	C..0024	59.06.0104	.1 U 10%, 63V , PETP		R..0010	57.11.3331	330	1%, 0207 , MF
	C..0025	59.06.0104	.1 U 10%, 63V , PETP		R..0011	57.11.3103	10 K	1%, 0207 , MF
	C..0026	59.22.8100	10 U -20%, 63V , EL		R..0012	57.11.3103	10 K	1%, 0207 , MF
01	C..0026	59.22.6100	10 U -20%, 35V , EL		R..0013	57.11.3103	10 K	1%, 0207 , MF
	C..0027	59.06.0103	.01 U 10%, 63V , PETP		R..0014	57.11.3472	4.7 K	1%, 0207 , MF
	C..0028	59.06.0223	.022 U 10%, 63V , PETP		R..0015	57.11.3472	4.7 K	1%, 0207 , MF
	C..0029	59.06.0683	.068 U 10%, 63V , PETP		R..0016	57.11.3472	4.7 K	1%, 0207 , MF
	C..0030	59.22.6471	470 U -20%, 40V , EL		R..0017	57.11.3472	4.7 K	1%, 0207 , MF
	C..0031	59.06.0683	.068 U 10%, 63V , PETP		R..0018	57.11.3122	1.2 K	1%, 0207 , MF
	D..0001	50.04.0125	1N 4448 SI		R..0019	57.11.3392	3.9 K	1%, 0207 , MF
	D..0002	50.04.0125	1N 4448 SI		R..0020	57.11.3270	27	1%, 0207 , MF
	D..0003	50.04.0125	1N 4448 SI		R..0021	57.11.3471	470	1%, 0207 , MF
	D..0004	50.04.0125	1N 4448 SI		R..0022	57.11.3472	4.7 K	1%, 0207 , MF
	D..0005	50.04.0125	1N 4448 SI		R..0023	57.11.3223	22 K	1%, 0207 , MF
	D..0006	50.04.0512	1N 5818		R..0024	57.56.2100	0.100	5%, 3 W
	D..0007	50.04.0512	1N 5818		R..0025	57.11.3151	150	1%, 0207 , MF
	D..0008	50.04.0125	1N 4448 SI		R..0026	57.11.3152	1.5 K	1%, 0207 , MF
	D..0009	50.04.0512	1N 5818		R..0027	57.11.3821	820	1%, 0207 , MF
	D..0010	50.04.0125	1N 4448 SI		R..0028	57.11.3103	10 K	1%, 0207 , MF
	D..0011	50.04.1118	6.2 V 5%, 0.5M, Z		R..0029	57.11.3103	10 K	1%, 0207 , MF
	D..0012	50.04.1118	6.2 V 5%, 0.5M, Z		R..0030	57.11.3103	10 K	1%, 0207 , MF
	IC.0001	50.17.1004	74 HC 04 ,A		RZ.0001	57.88.4103	8*10K	
	IC.0002	50.11.0122	TL 7705 ACP		XIC0001	53.03.0172	40 POL.	IC-SOCKET
	IC.0003	50.09.0107	RC 4559 NB, UPC 4559		XIC0002	53.03.0173	28 POL.	IC-SOCKET
	IC.0004	50.16.0119	HD 63 A 03 RP ,A		Y..0001	89.01.0560		4.9152 MHZ
	IC.0005	50.17.1573	74 HC 573 ,A					
	IC.0006	50.17.1000	74 HC 00 ,A					
	IC.0007	50.06.0138	74 LS 138 ,A					
					01	15.03.89	Value adjust	