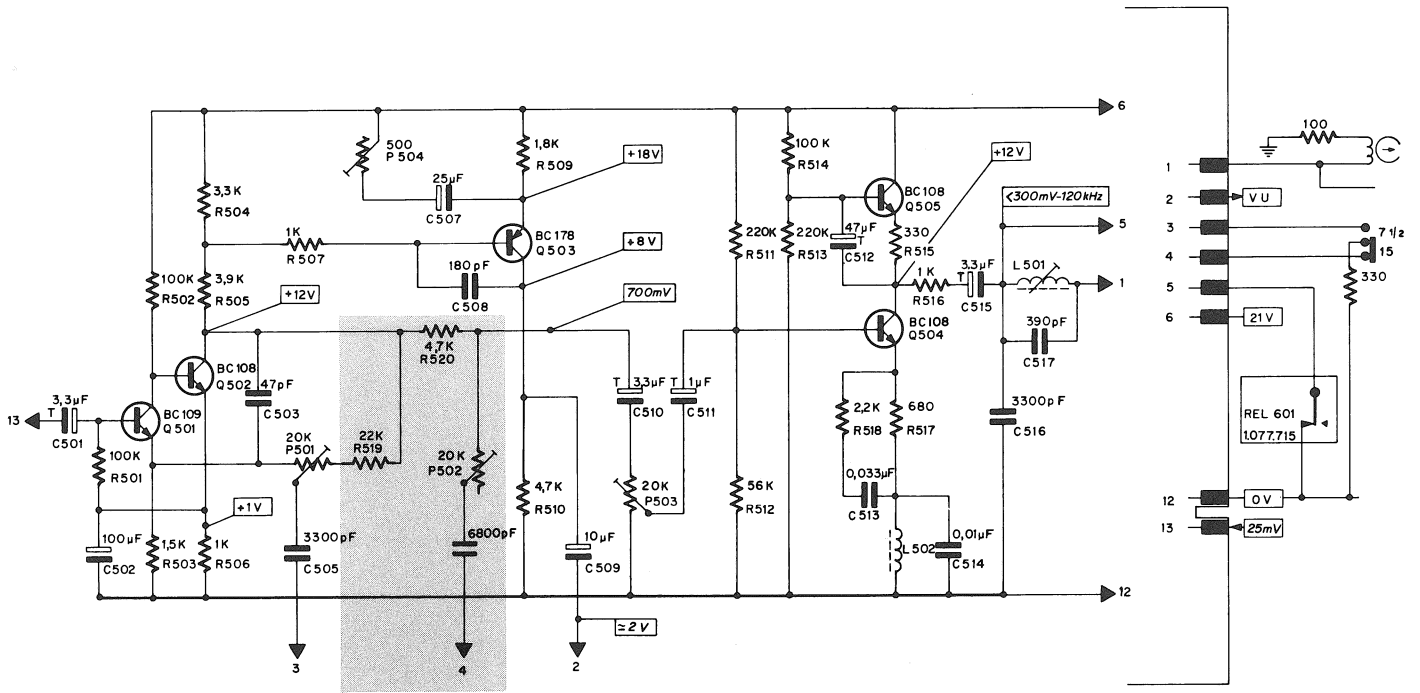


# REVOX A77

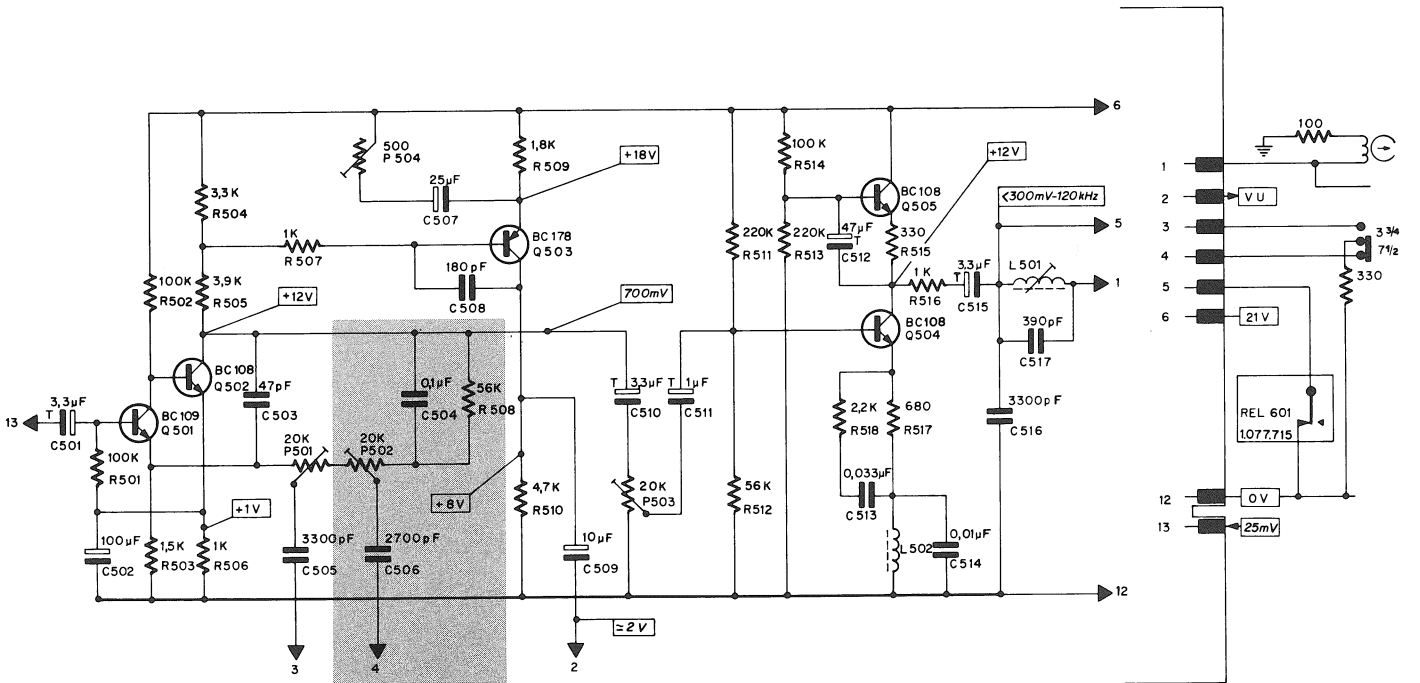
RECORD AMPLIFIER  
AUFNAHMEVERSTÄRKER  
AMPLIFICATEUR D'ENREGISTREMENT



EQUALIZATION  
ENTZERRUNG  
CORRECTION

**NAB 7 1/2 - 15"**

1.077.782



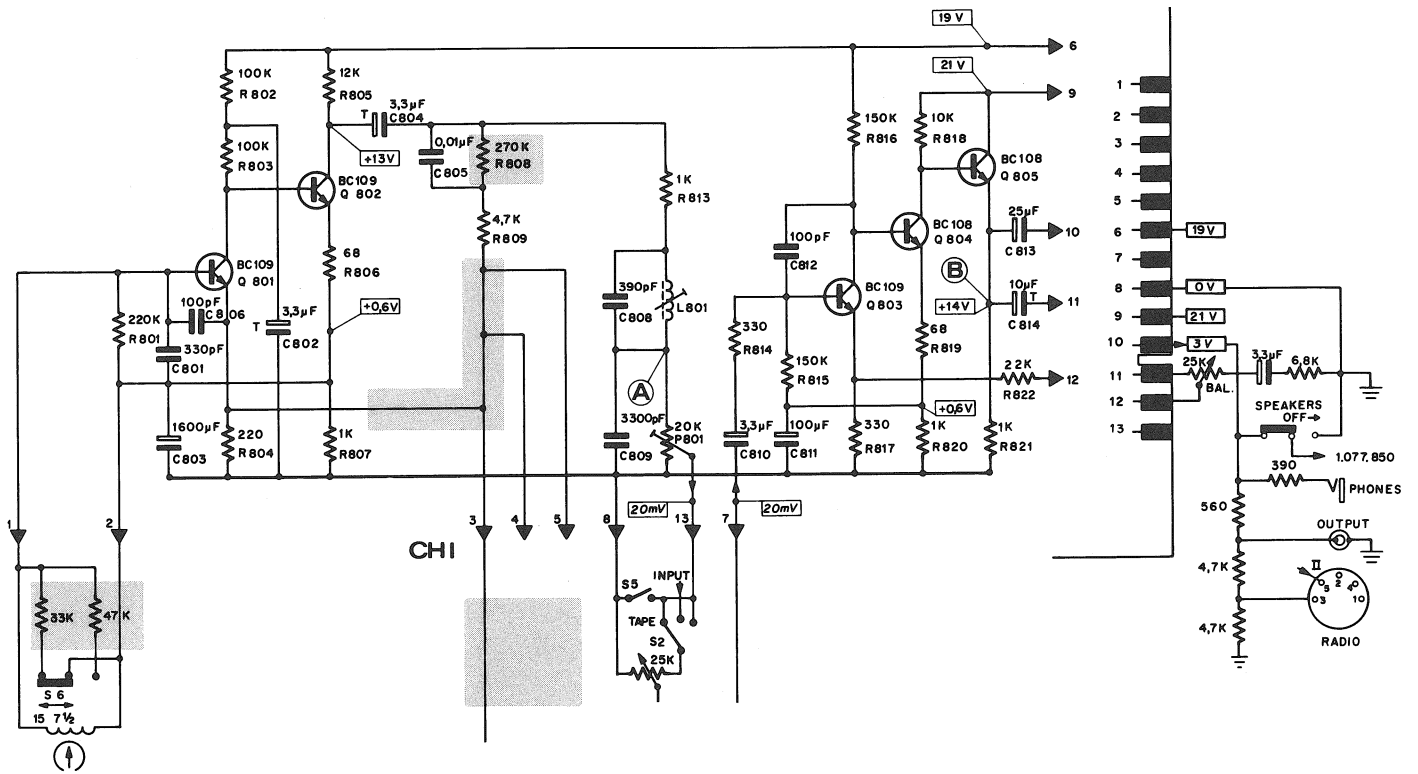
EQUALIZATION  
ENTZERRUNG  
CORRECTION

**NAB 3 3/4 - 7 1/2"**

1.077.705

# REVOX A77

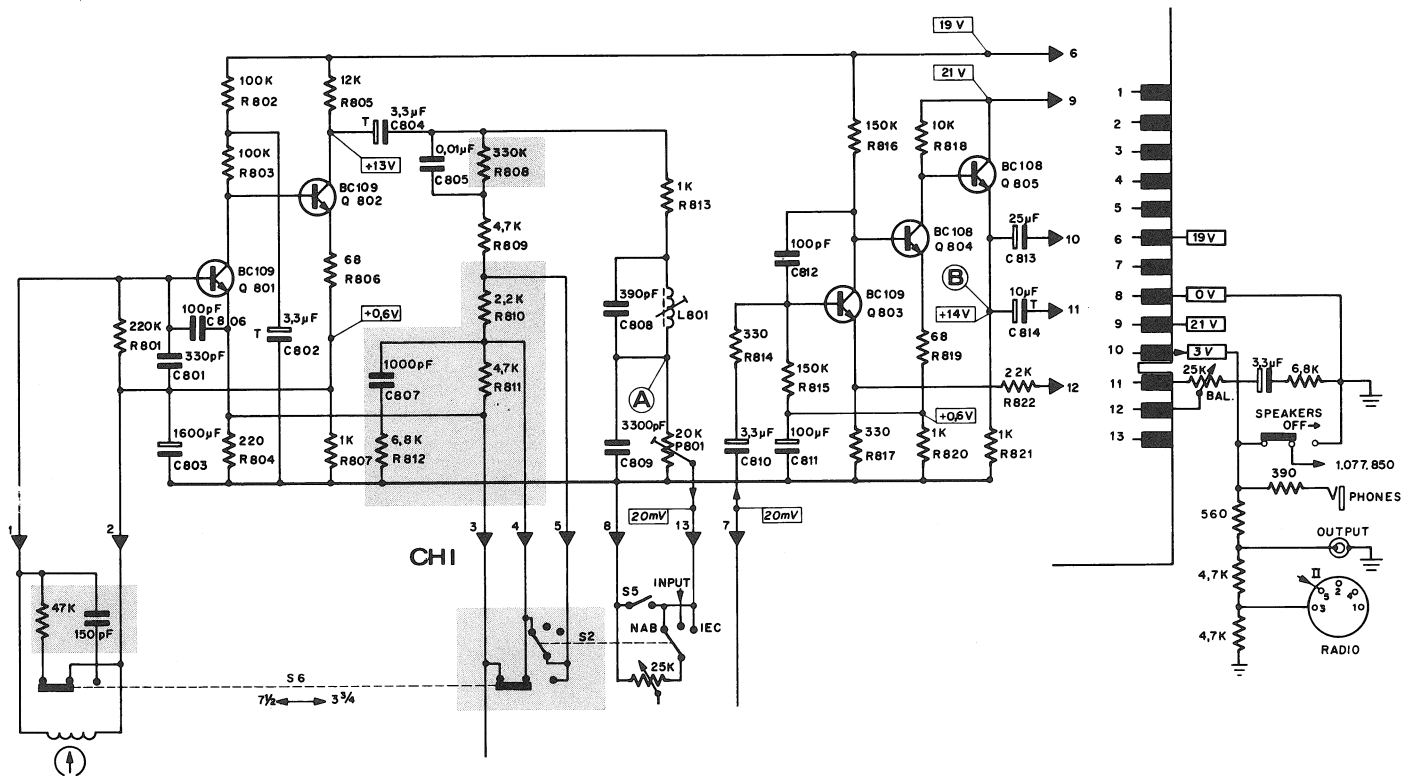
PLAYBACK AMPLIFIER  
WIEDERGABEVERSTÄRKER  
AMPLIFICATEUR DE LECTURE



EQUALIZATION  
ENTZERRUNG  
CORRECTION

**NAB 7 1/2 - 15"**

1.077.787 (P.C. BOARD: 1.077.720-01)



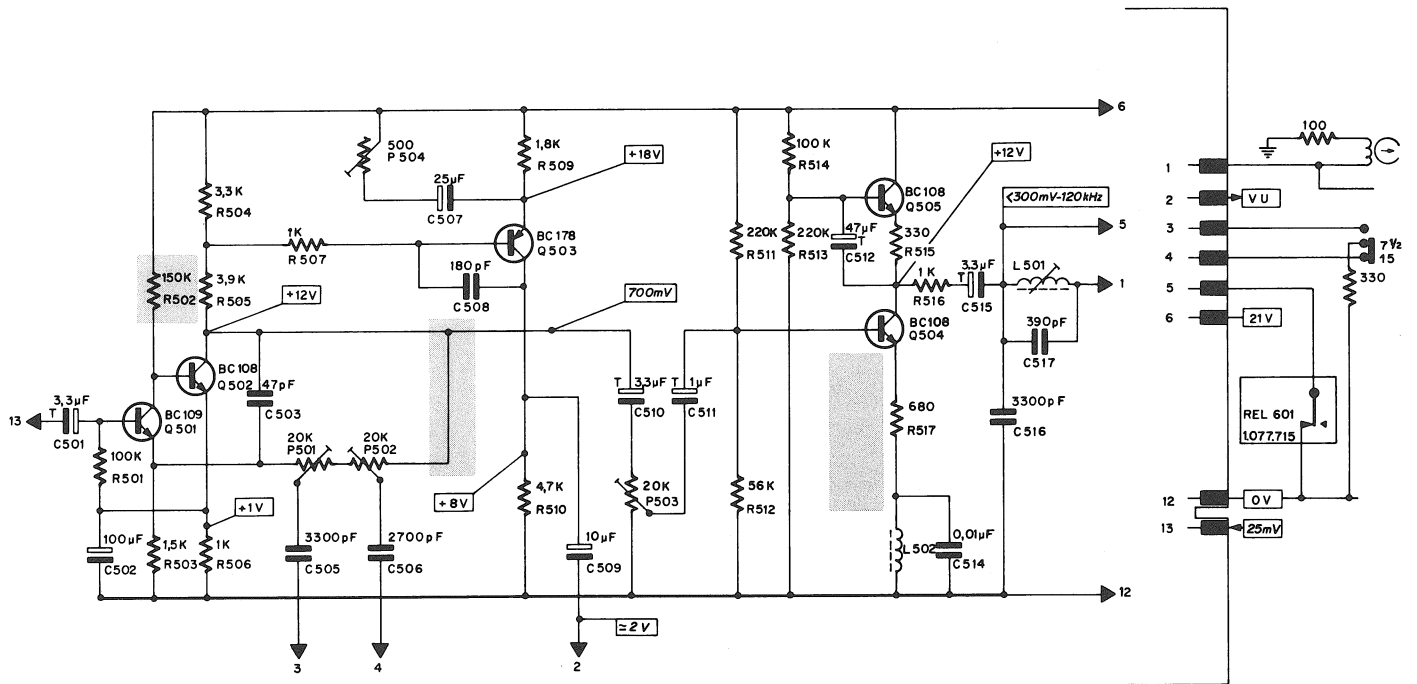
EQUALIZATION  
ENTZERRUNG  
CORRECTION

**NAB - IEC 3 3/4 - 7 1/2"**

1.077.720

# REVOX A77

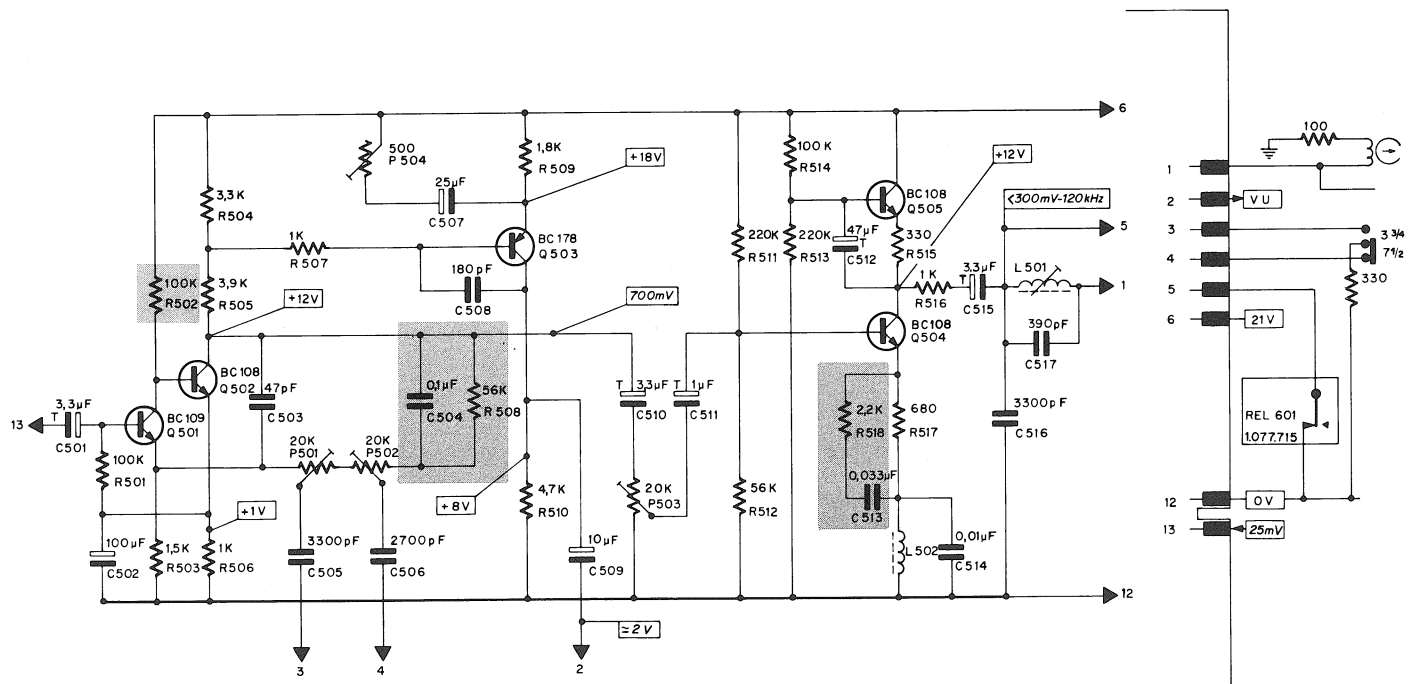
RECORD AMPLIFIER  
AUFNAHMEVERSTÄRKER  
AMPLIFICATEUR D'ENREGISTREMENT



EQUALIZATION  
ENTZERRUNG  
CORRECTION

**IEC** 7 1/2 - 15"

1.077.780 (P.C. BOARD: 1.077.705-01)



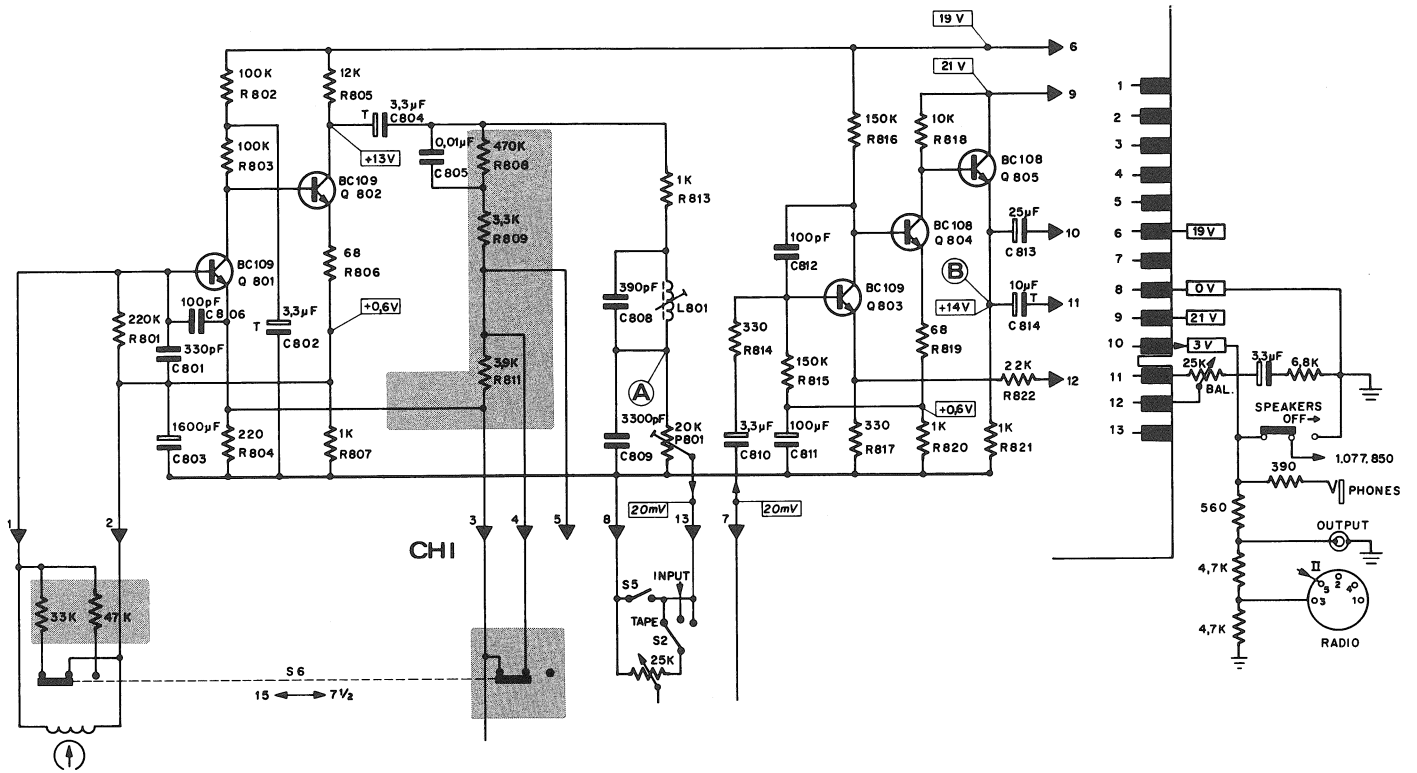
EQUALIZATION  
ENTZERRUNG  
CORRECTION

**NAB** 3 3/4 - 7 1/2"

1.077.705

# REVOX A77

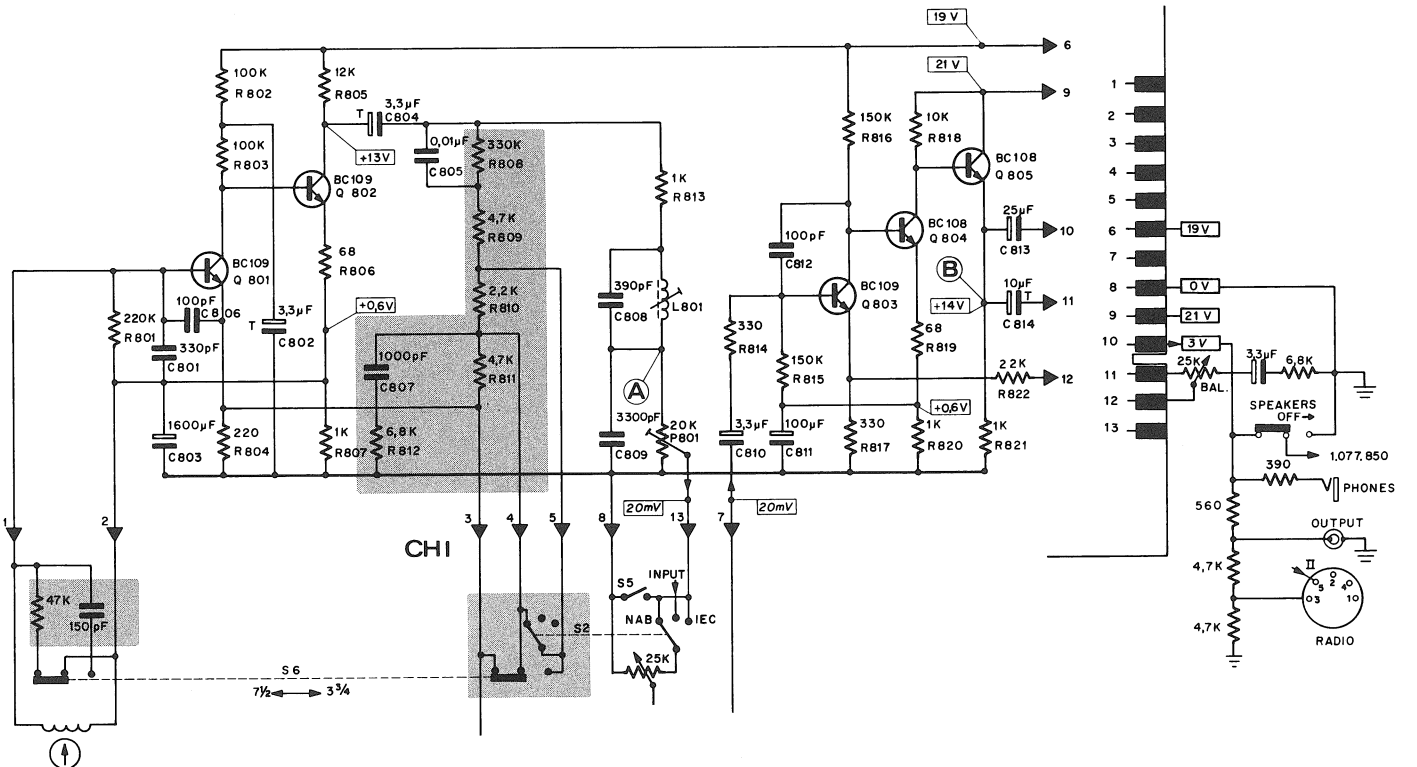
PLAYBACK AMPLIFIER  
WIEDERGABEVERSTÄRKER  
AMPLIFICATEUR DE LECTURE



EQUALIZATION  
ENTZERRUNG  
CORRECTION

**IEC 7 1/2 - 15"**

1.077.785 (P.C. BOARD: 1.077.720-01)



EQUALIZATION  
ENTZERRUNG  
CORRECTION

**IEC - NAB 3 3/4 - 7 1/2"**

1.077.720