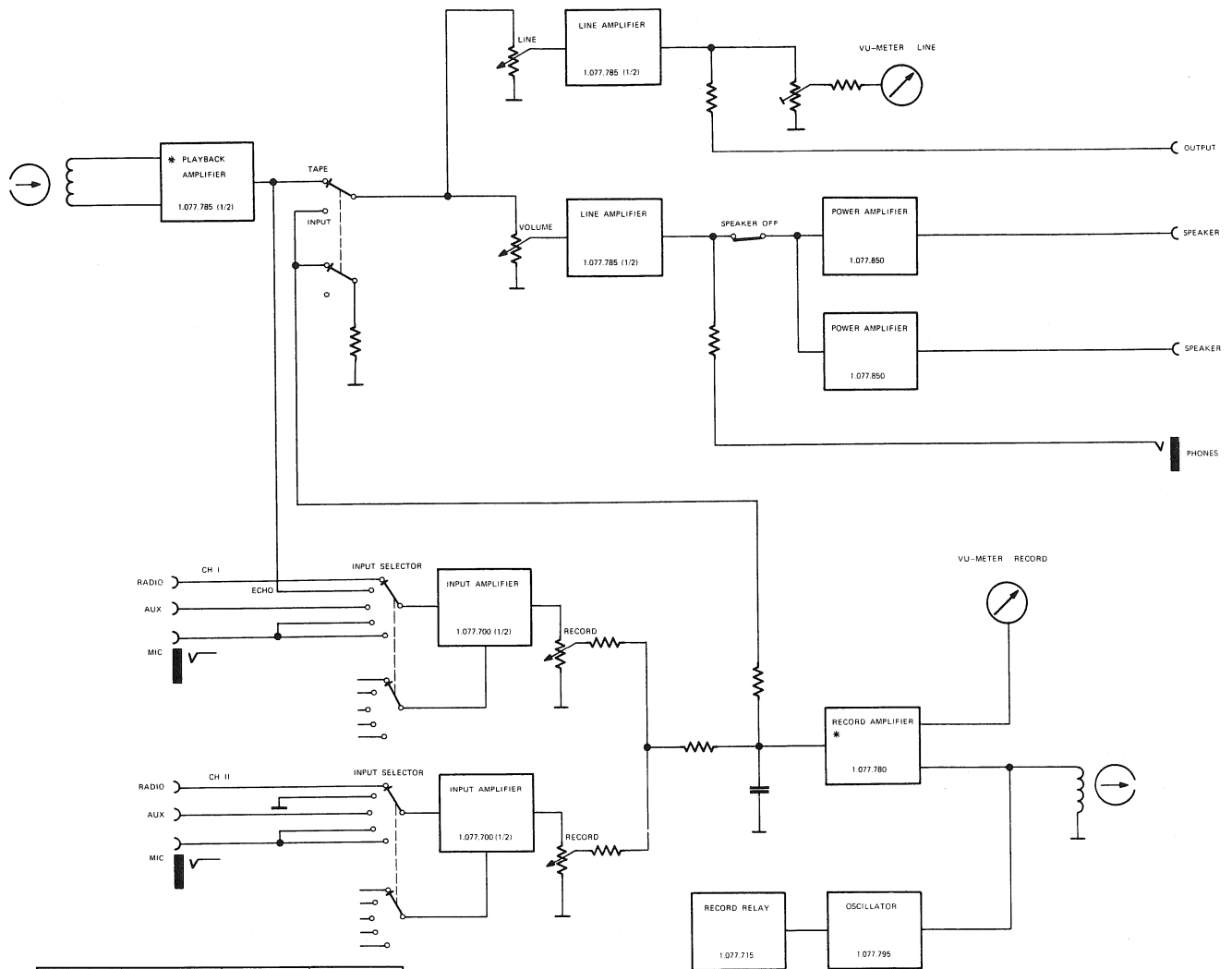
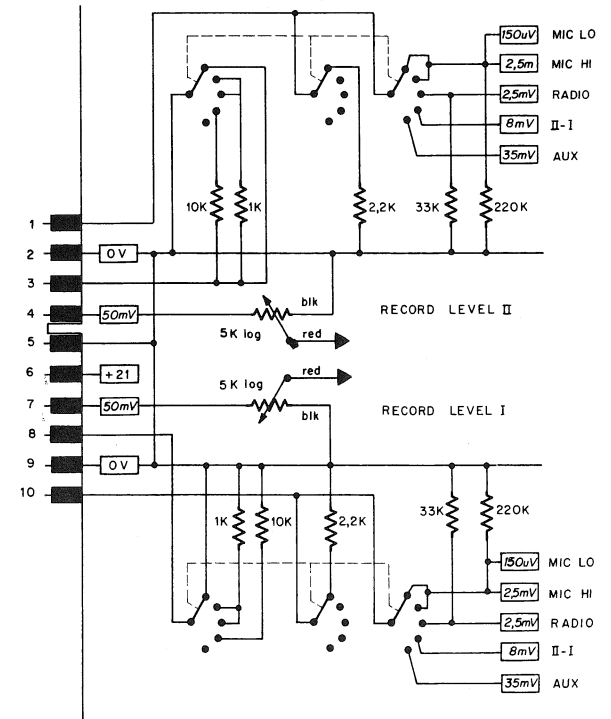
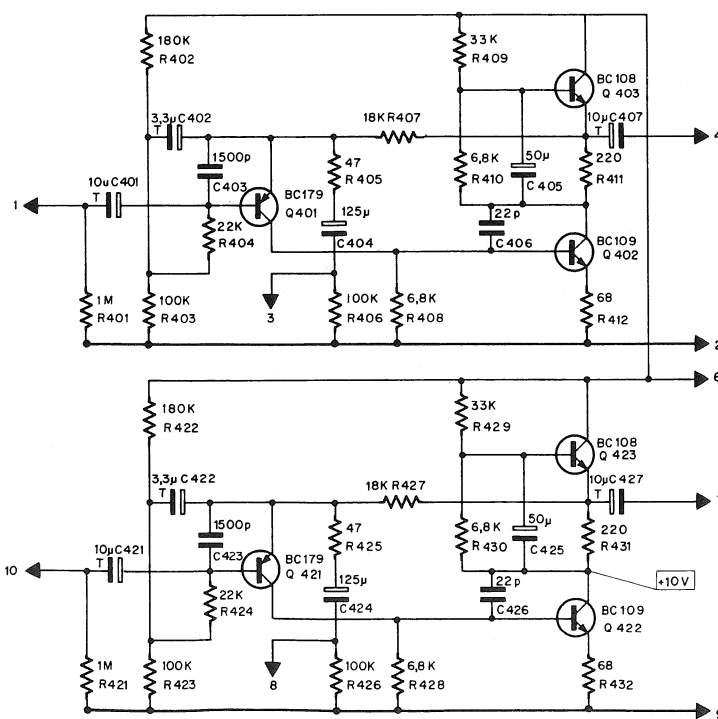
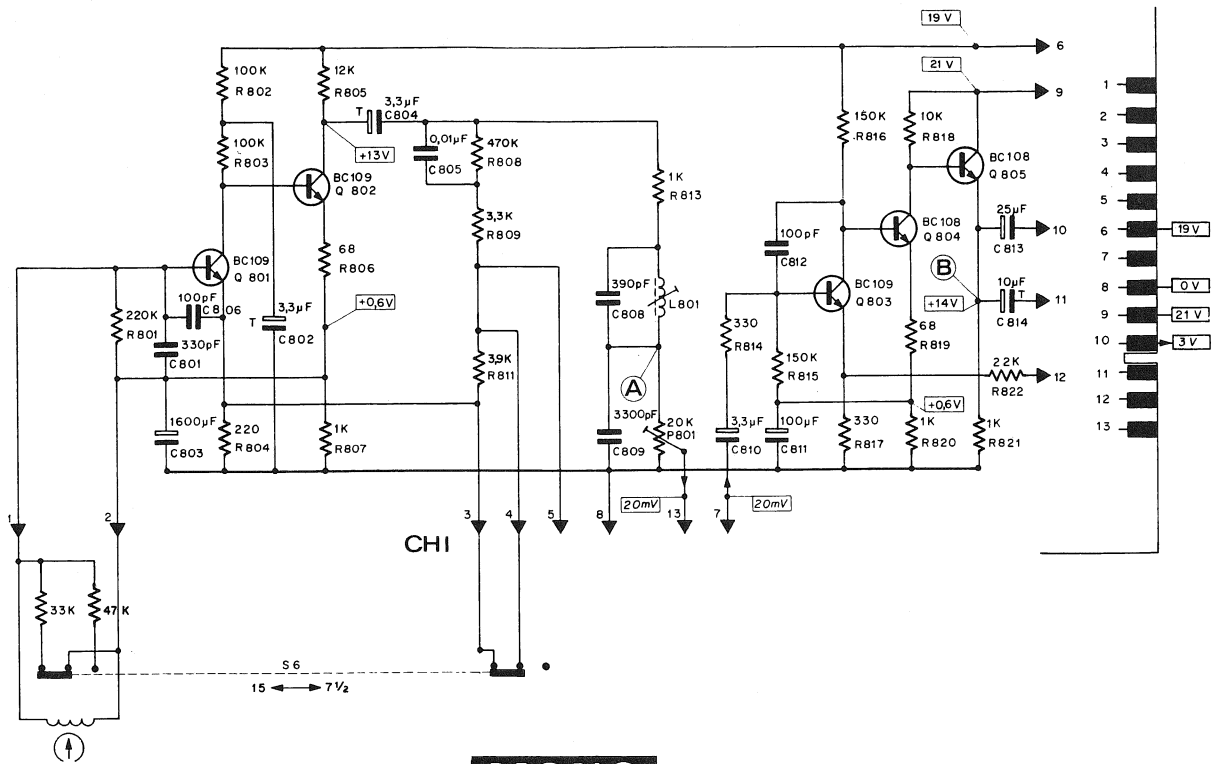


REVOX A77 MONO SET OF SCHEMATICS

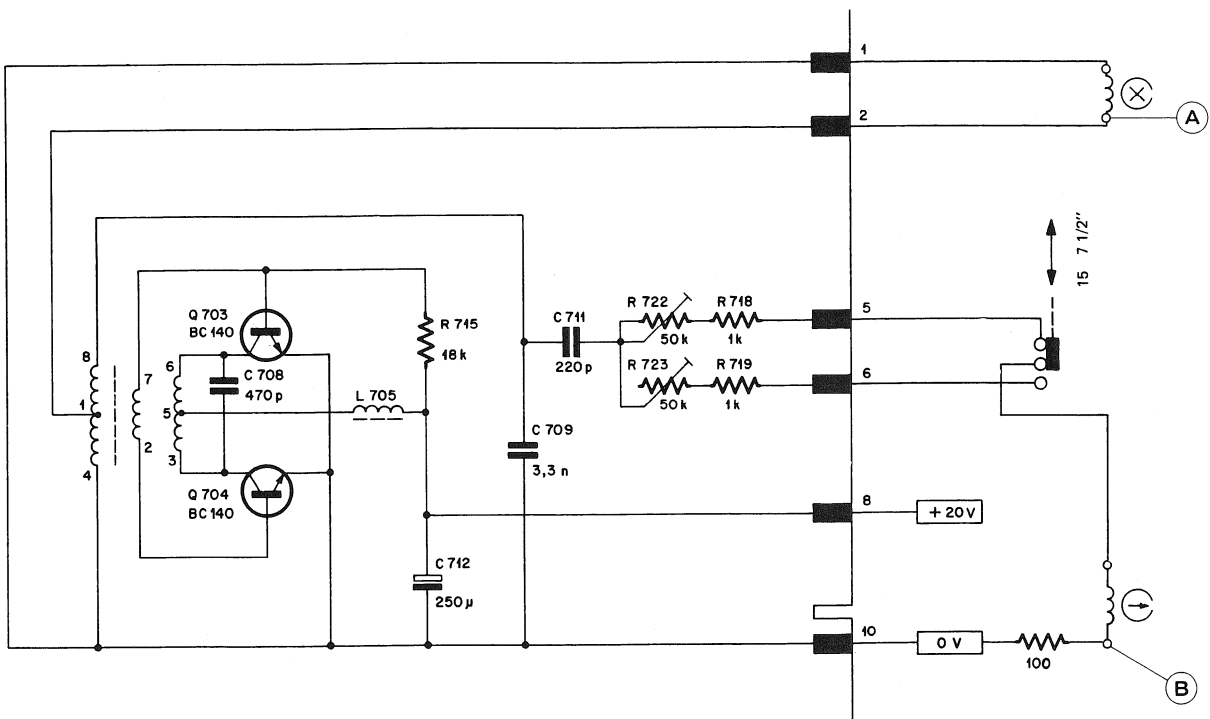


		* RECORD AMP.	* PLAY BACK AMP.
NORMAL VERSION	7 1/2 - 15" IEC	1.077.780	1.077.785
SPECIAL VERSION	7 1/2 - 15" NAB	1.077.782	1.077.787
	3 3/4 - 7 1/2" NAB	1.077.705	1.077.720





MONO PLAYBACK AMPLIFIER 1.077.785



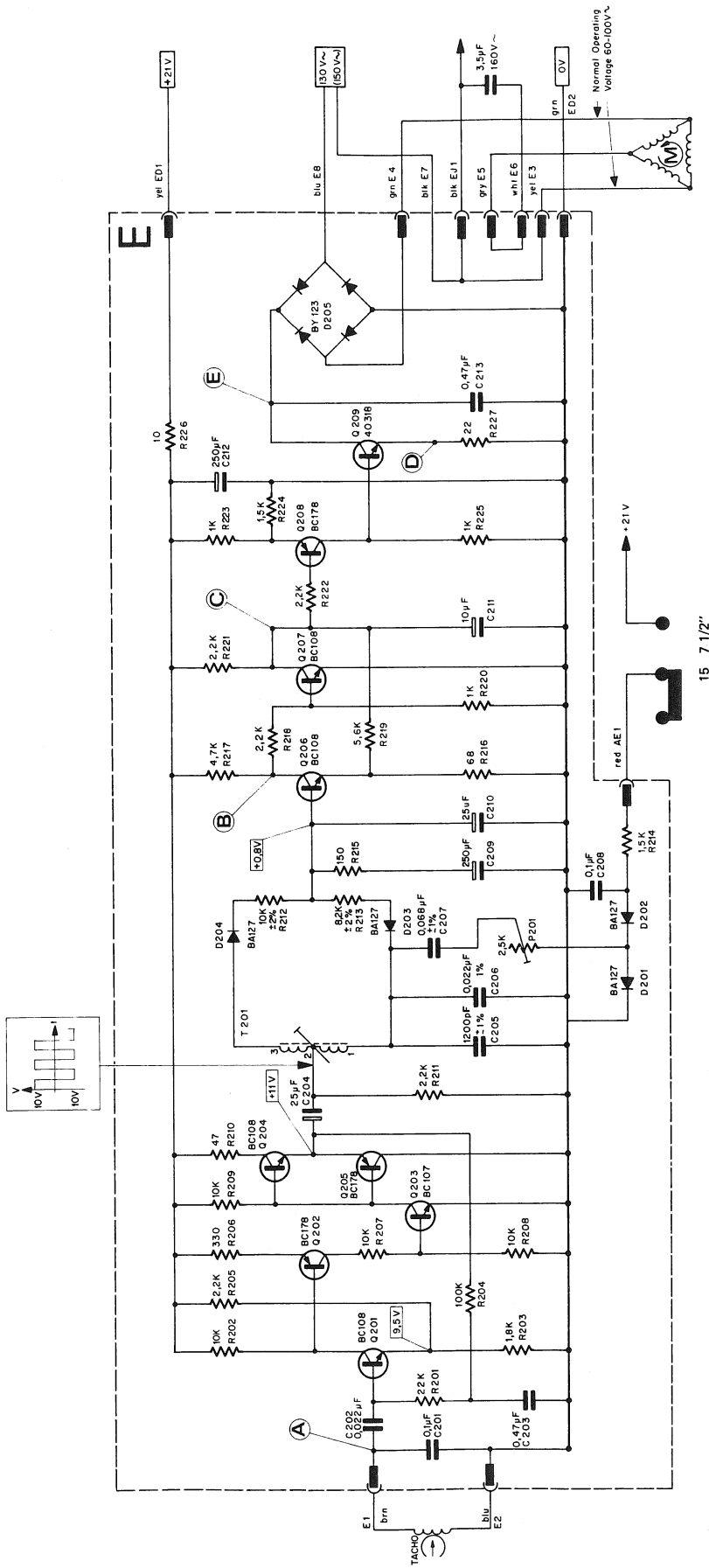
Position "Record", voltages measured against ground (0V)

Test points	1 - Track
A	approx. 44V/120 kHz
B	800 mV/120 kHz 80 mV/1 kHz*

* AF - Test (oscillator pulled out), full modulation

Test values B depend on type and speed of tape; they are to be considered nominal.

MONO OSCILLATOR 1.077.795



Test points: A 35 - 50 mV_{eff} (800 Hz = 3 3/4 ips)

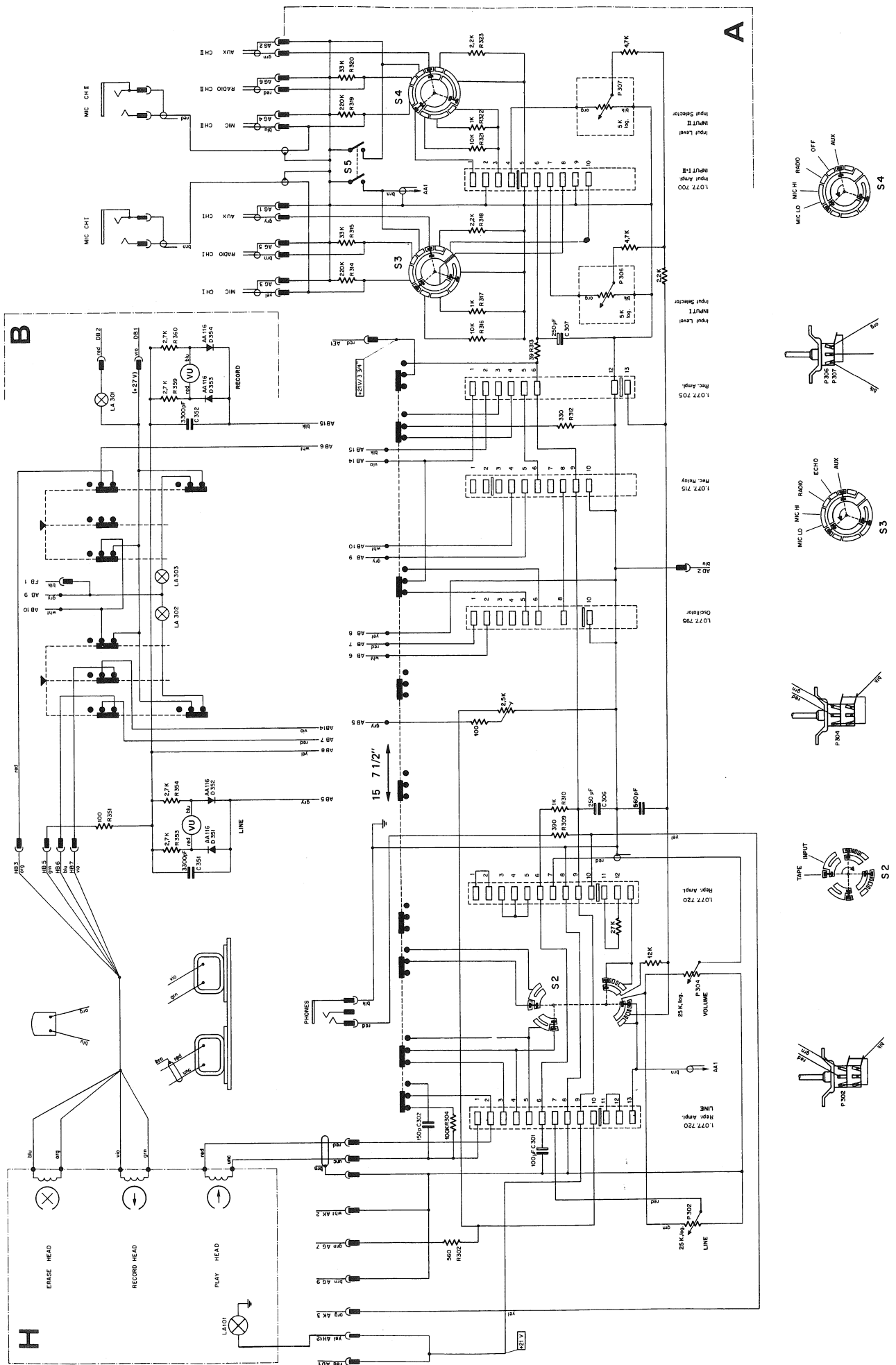
B	C	D	E
7,5	0,4	3	5
2	10	1	80
0,2	15	0	200

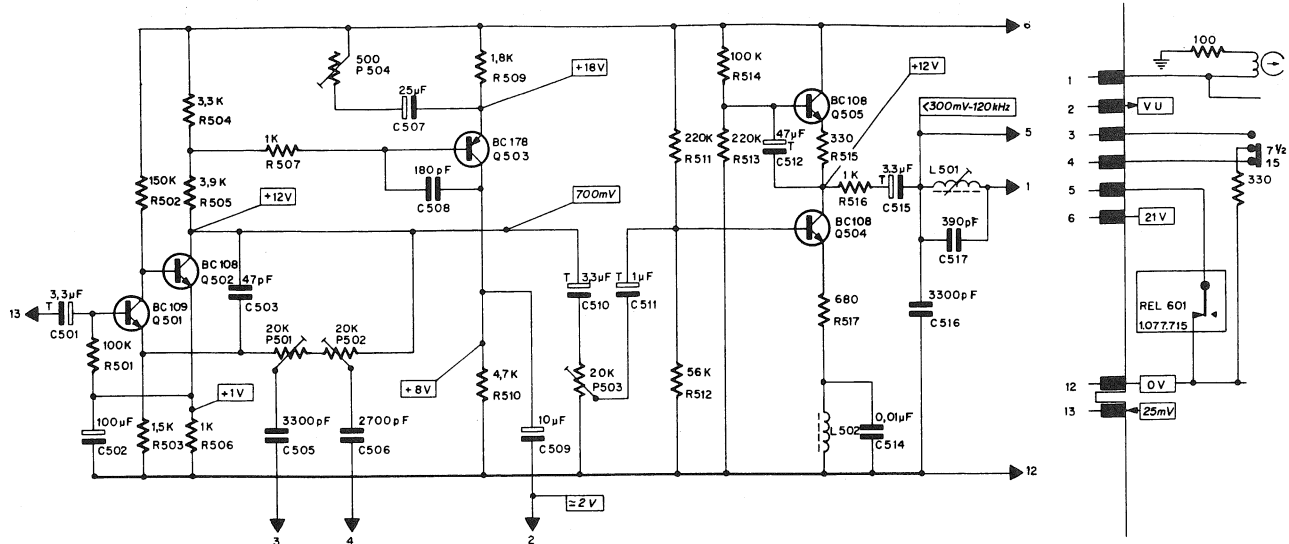
Start (full voltage on motor, Q209 saturated)

Operation (nominal values, depend on motor loading)

Speed higher than nominal (no voltage on motor, Q209 cut off)

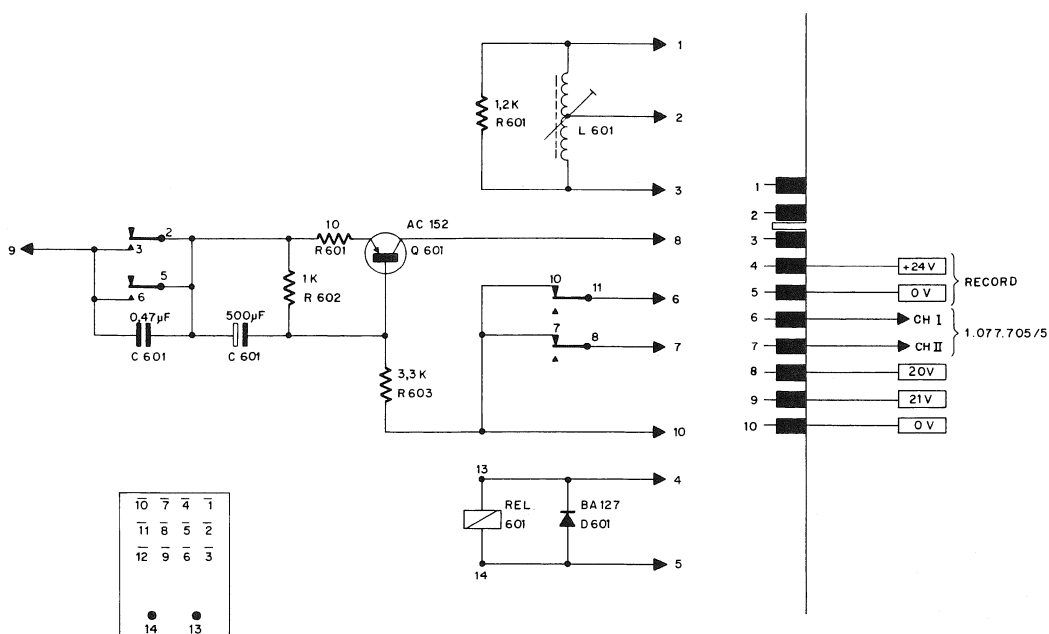
Volts in volts, measured against ground (0V) with a 20 kΩ / V DC-meter



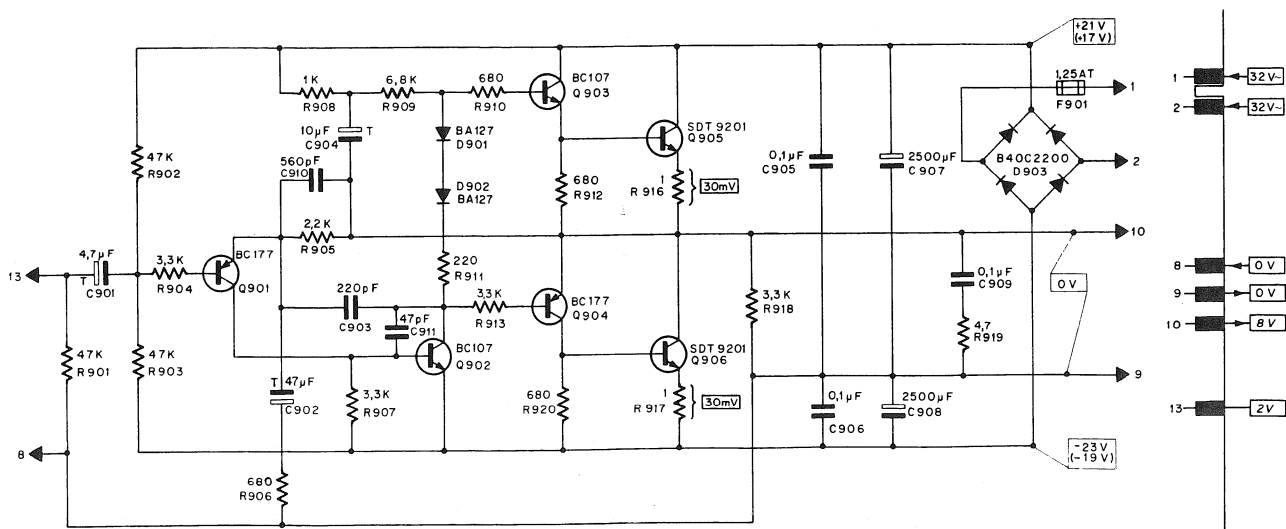


MONO

RECORD AMPLIFIER 1.077.780



RECORD RELAY 1.077.715



LOUDSPEAKER AMPLIFIER 1.077.850