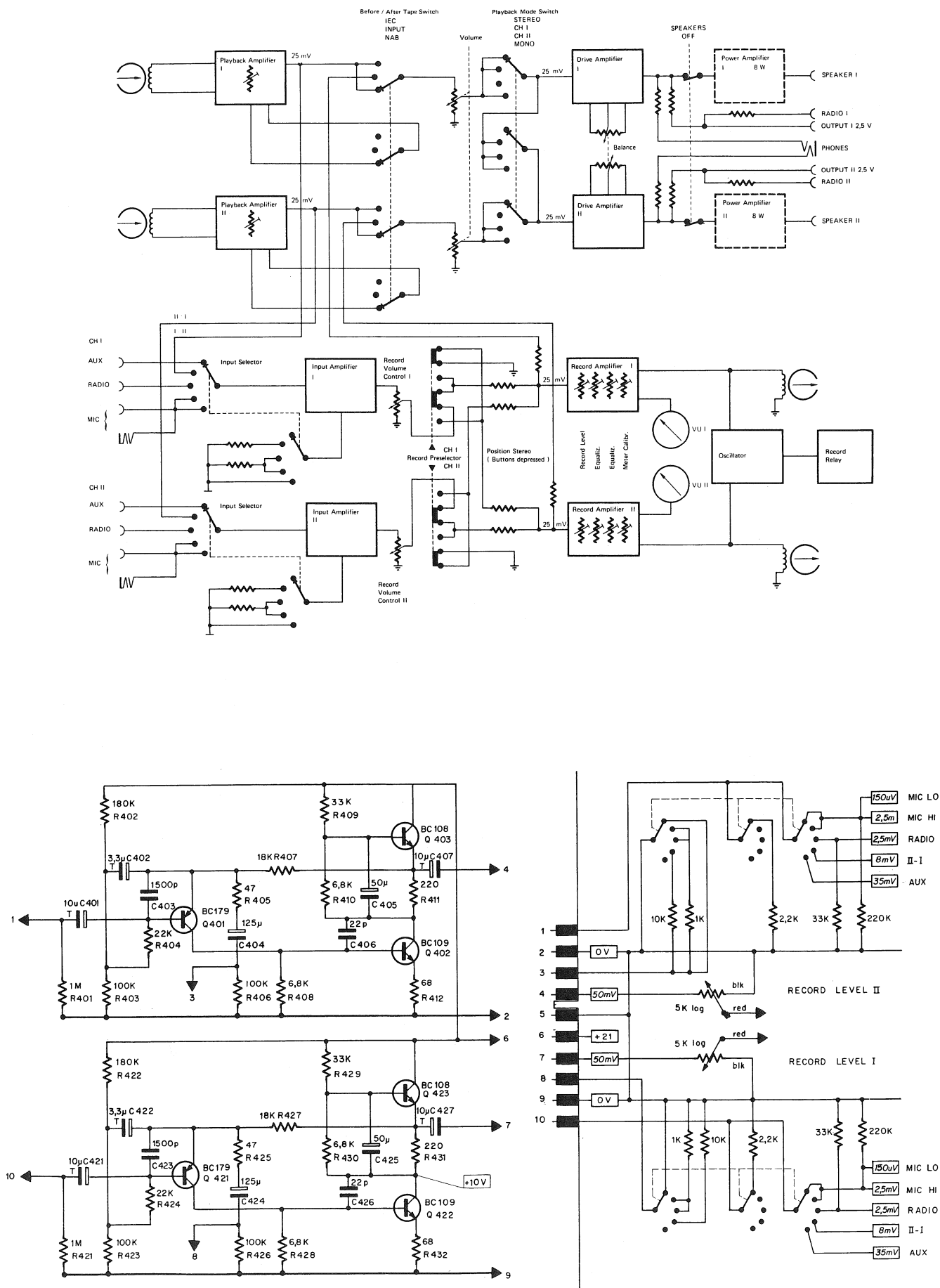
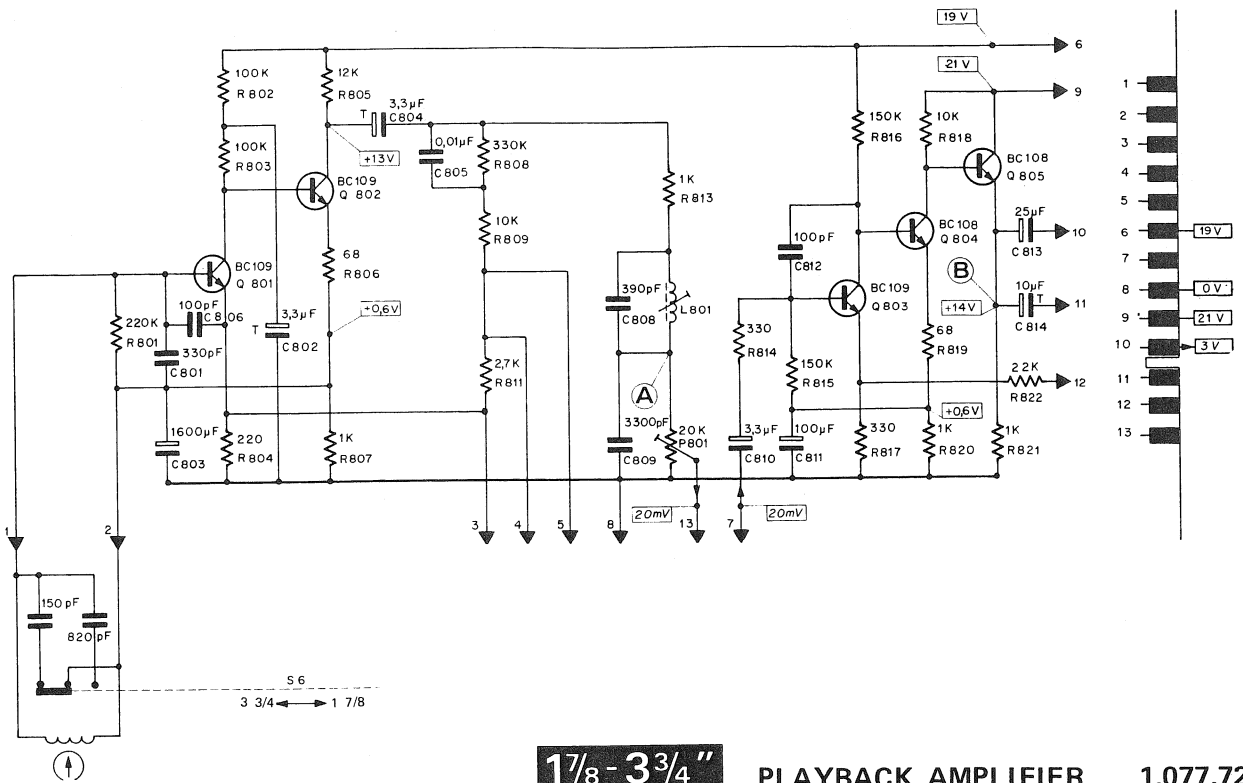


# REVOX A77

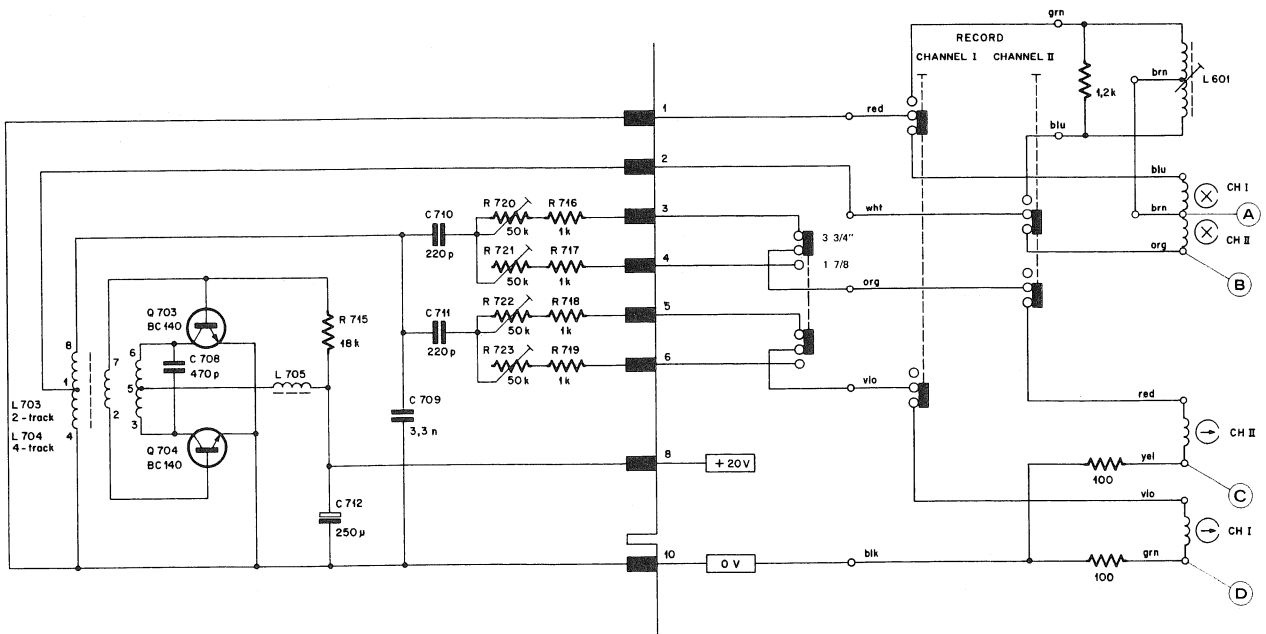
1<sup>7</sup>/<sub>8</sub> - 3<sup>3</sup>/<sub>4</sub> "

SET OF SCHEMATICS





**1 7/8 - 3 3/4" PLAYBACK AMPLIFIER 1.077.722**

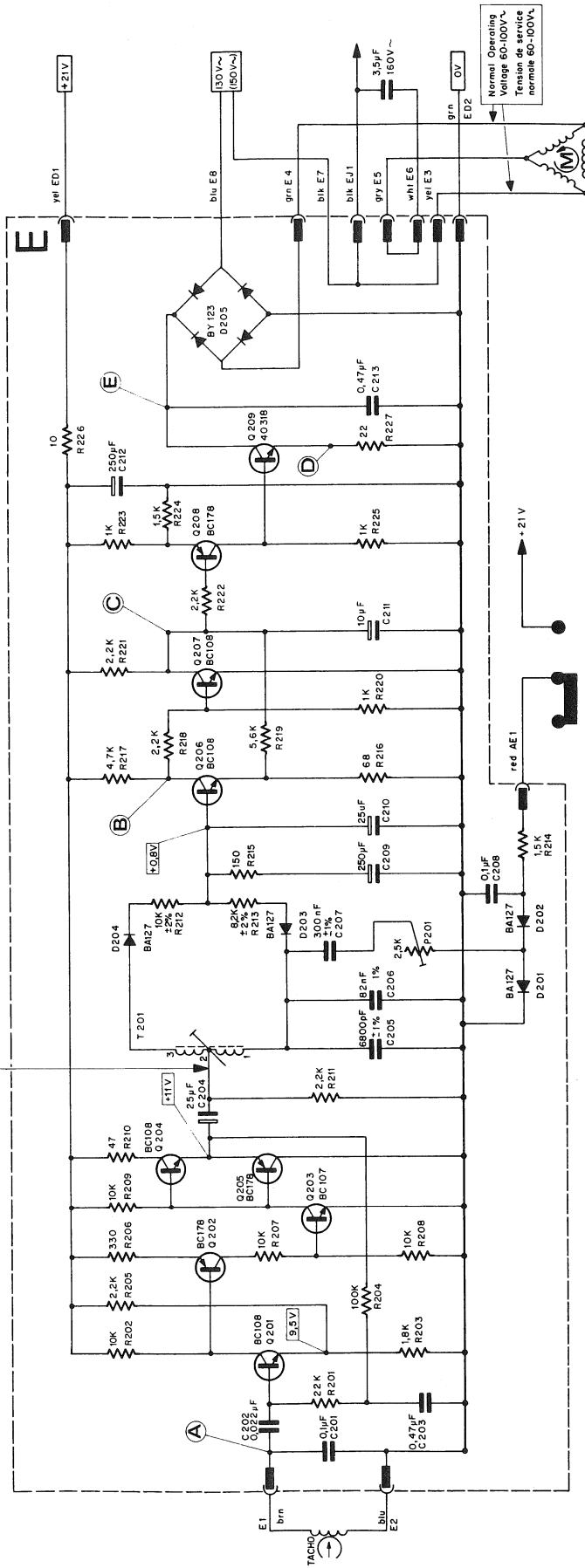
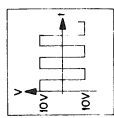


Position "Record - Stereo", voltages measured against ground (0V)

Test points	2 - Track	4 - Track
A + B	approx. 22V/120 kHz	approx. 18V/120 kHz
C + D	500 mV/120 kHz 50 mV/1 kHz*	400 mV/120 kHz 40 mV/ 1kHz*

\* AF - Test (oscillator pulled out), full modulation

Test values C and D depend on type and speed of tape; they are to be considered nominal.



Test points: A 35 - 50 mV<sub>eff</sub> (400 Hz = 1 7/8 ips)

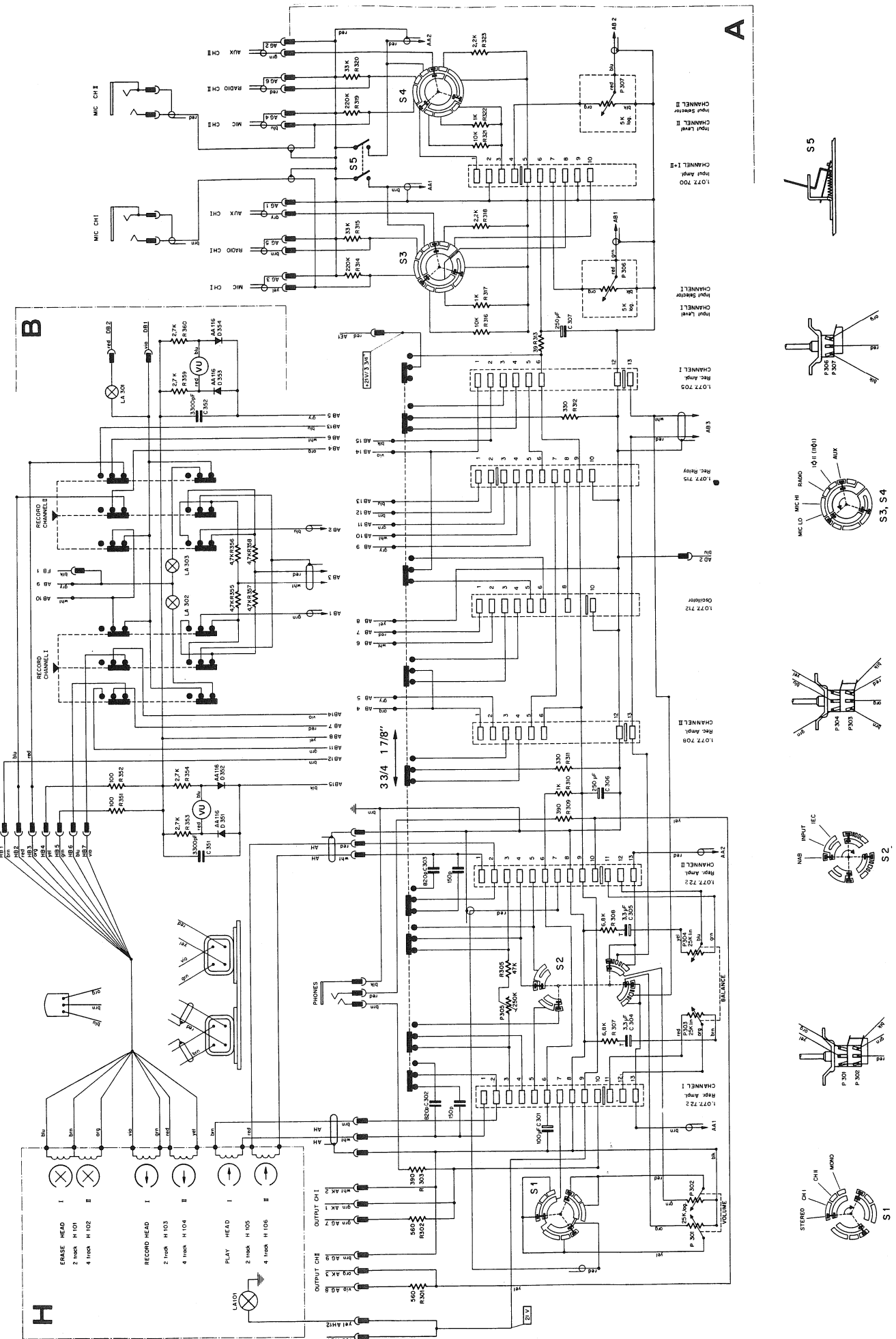
B	C	D	E
7,5	0,4	3	5
2	10	1	80
0,2	15	0	200

Volts in volts, measured against ground (0V) with a 20 kΩ / V DC- meter

Start (full voltage on motor, Q209 saturated)

Operation (nominal values, depend on motor loading)

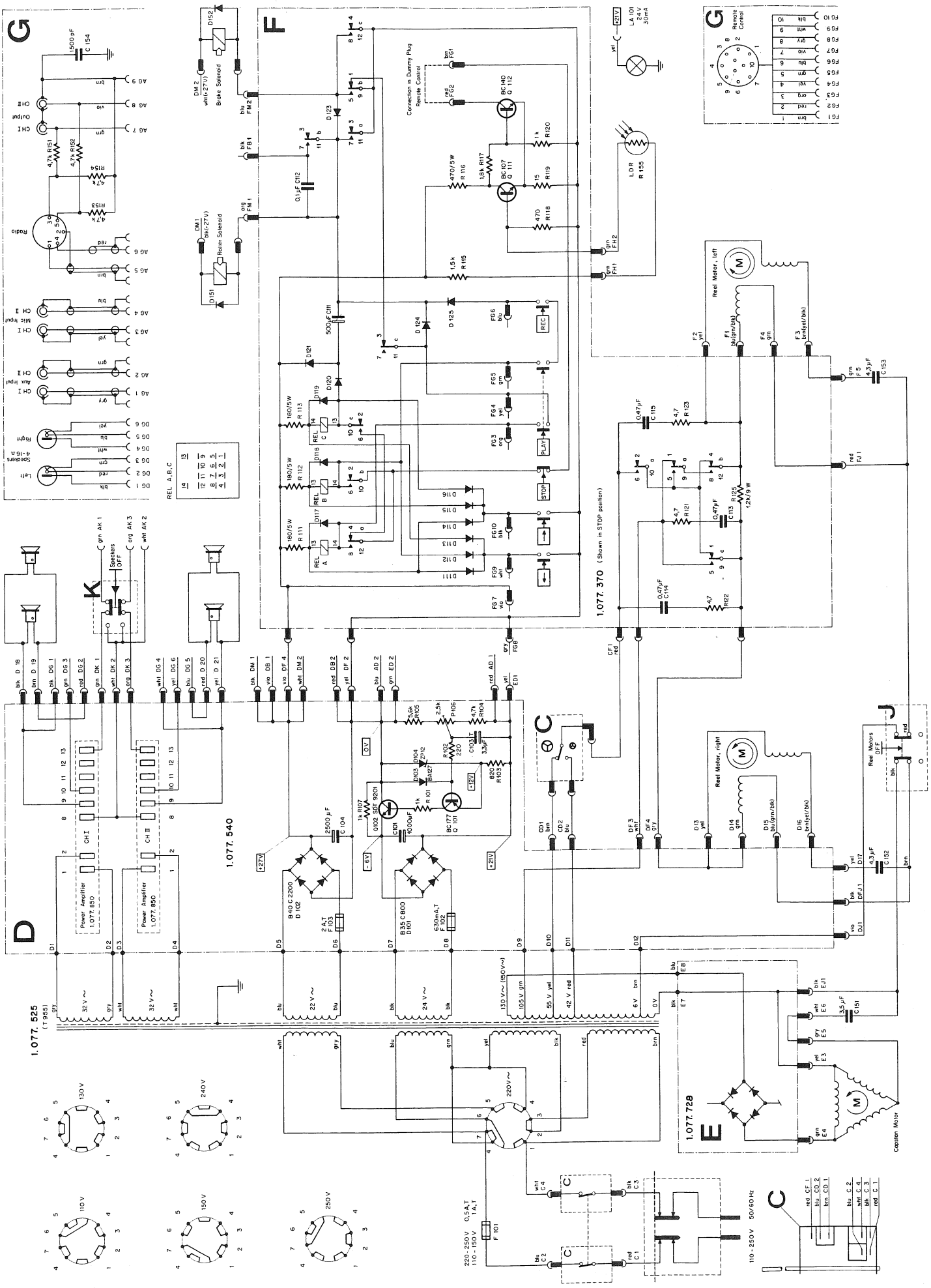
Speed higher than nominal (no voltage on motor, Q209 cut off)



VU-METER BOARD 1.077.481

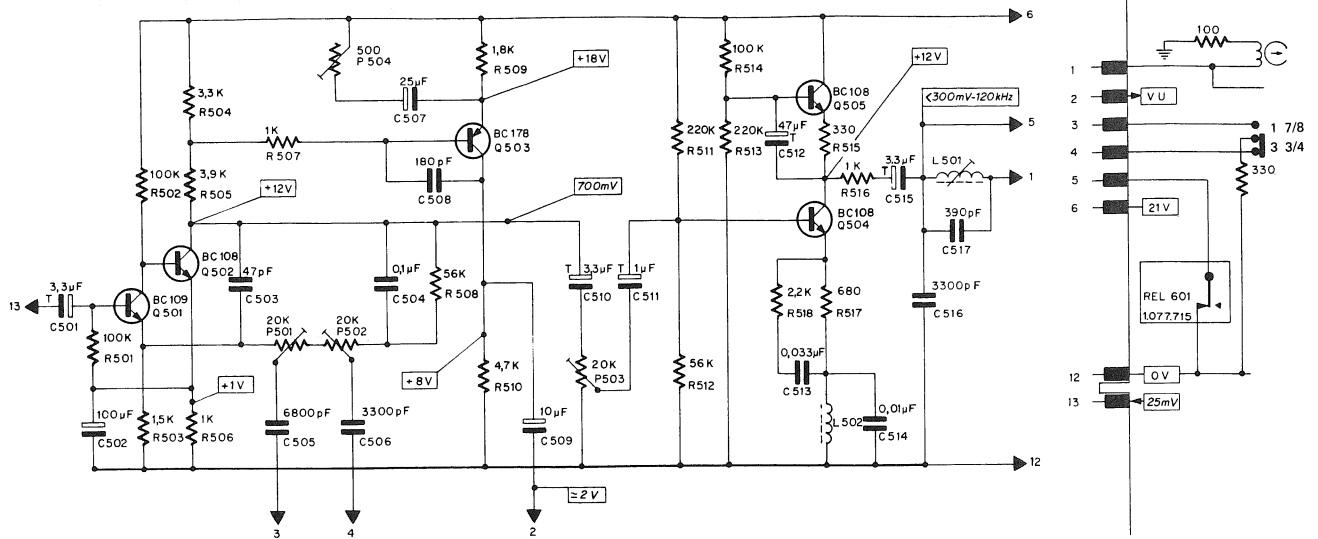
1 7/8 - 3 3/4"

SWITCH BOARD 1.077.424

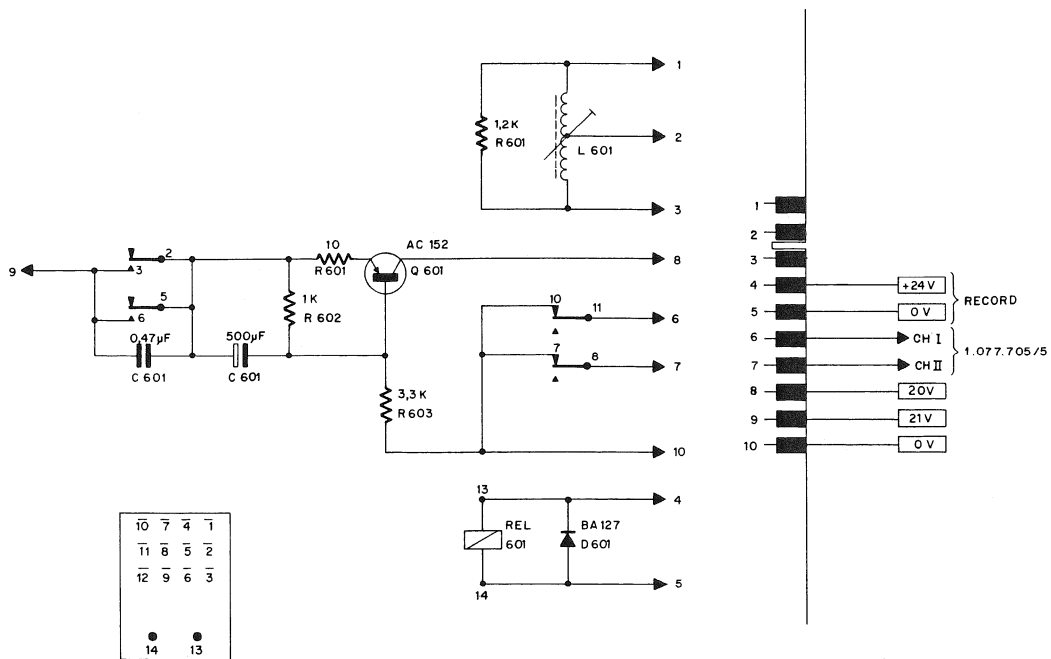


1 7/8 - 3 3/4"

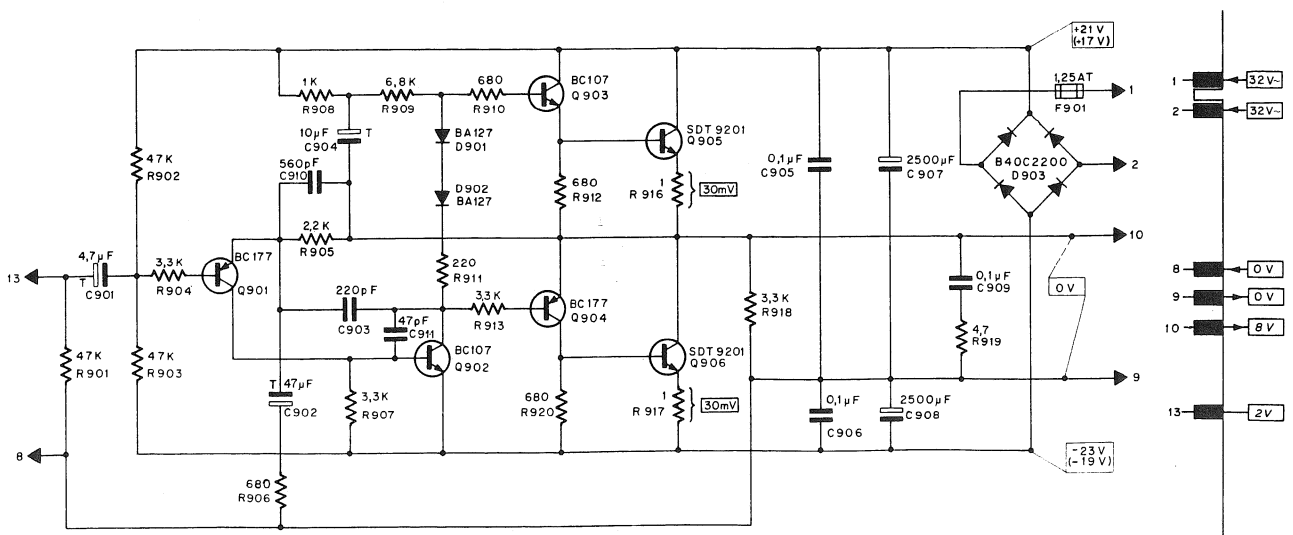
TAPE DRIVE 1.077.100



**1 7/8 - 3 3/4"** RECORD AMPLIFIER 1.077.708



RECORD RELAY 1.077.715



LOUDSPEAKER AMPLIFIER 1.077.850