
STUDER D820 MCH

Wiring List / Verdrahtungsliste



Prepared and edited by STUDER INTERNATIONAL TECHNICAL DOCUMENTATION
Althardstrasse 10, CH-8105 Regensdorf-Zürich, Switzerland

We reserve the right to make alterations
Copyright by WILLI STUDER AG
Printed in Switzerland
Order No.: 10.27.1890 (Ed. 05.91)

STUDER is a registered trade mark of STUDER INTERNATIONAL AG Regensdorf
STUDER ist ein eingetragenes Warenzeichen der STUDER INTERNATIONAL AG Regensdorf

Contents/Inhaltsverzeichnis

Explanation to the Wiring List	I
Definition of signal names in the PCM rack and tape deck part	I
The five types of wiring lists.....	III
Erklärungen zur Verdrahtungsliste	VIII
Zusammensetzung der Signalnamen im PCM-Rack und Laufwerkteil.....	VIII
Die fünf Arten der Verdrahtungsliste	X
Group Survey, Tape Deck Assembly	XV
Group Survey, Head 24 Tracks	XV
Group Survey, Panel	XVII
Group Survey, PCM Rack	XVII
Power Supply	XVIII
Tape Transport Section.....	XVI
Group Summary.....	2
Element Summary.....	3
Location Pin List.....	17
Signal Wire List.....	149
Signal Statistics.....	319

Explanation to the Wiring List

The reliable method of automatically computer generated wiring lists is used for the D820 MCH. These lists provide information on the electrical connections within the equipment.

For the sake of clarity the assemblies (ASY) power supply, control, tape ddeck control and the section are subdivided into groups (GRP). These groups in turn consist of elements (ELM) and connection points (PNT). The signal designations are derived from various abbreviations which mnemonically express the corresponding function.

Definition of signal names in the PCM rack and tape deck part

PCM rack

Signal names consist of up to 8 letters.

Header (first two letters)

Abbreviation:	Meaning:
MA:	MAPRO
IO:	I/O
AD:	A/D Converter
DA:	D/A Converter
CU:	CUE
CP:	CPU (Force-Board or CPU-Interface)
PI:	PIF
RT:	RT
SS:	SSTC (TC-Reader & Synchroniser or TC-Generator)
CK:	Clock
PP:	Ping-Pong
MI:	Master I/O
AI:	AES-Interface
VC:	Power Supply 5V or 18V
CO:	Connector-Panel

The header always defines the board of the signal origin. If signals are bidirectional, the header indicates the board that controls the signal.

Separator

The header is separated from the signal descriptor by a "-" (i.e. PI -). Exception: If the descriptor needs 5 letters, the "I" (indicating a balanced line) can replace the "-" (i.e. CO-AIN06 and COIAIN06).

Signal Descriptor (last five letters)

The descriptor consists of 1 to 5 letters, which allows a logical abbreviation of the signal name. Balanced lines are indicated with an "I" heading the descriptor (i.e. MA-CH17 and MA-ICH17).

Tape Deck Section

The names of the signals used in the tape deck section are the same than those used in the STUDER analog tape recorders:

Abbreviation:	Meaning:
T:	TTL general signal, control signal (logic)
TA:	TTL Audio
TC:	TTL Capstan
TM:	TTL Master Processor
TD:	Tape Deck Processor
REC:	Record Head Path
REP:	Repro Head Path

General Signals

Signal names which are self explaining (such as +5V etc.) do not follow the above rules.

The five types of wiring lists

Group Summary

Listing of all groups (GRP) arranged by assembly (ASY).

PART NUMBER:

In case of PCM rack the group numbers of all configured groups are specified. This is in contrast to the tape deck and head electronics where only the part number of the element (ELM), i.e. the connector is specified.

```
*****
* STUDER REVOX AG * G R O U P S U M M A R Y * 91/02/19 * 11:24 * P A G E 3 *
*****
* 1.862.010.00 D820-48 PCM TAPE - RECORDER * 90/03/21 - 00 *
*****
```

ASY	GRP	PART NUMBER	DESCRIPTION	UNUSED PINS	USED PINS	TOT. PINS	MULT. PINS	COD. KEYS	TOT. ELM	REM
1	1		CONNECTIONS PANEL LEFT	7	172	179	0	0	11	
1	2		CONNECTIONS PANEL RIGHT	0	128	128	0	0	8	
1	10	1.862.703.00	BASIS BOARD EQUALIZER	243	713	956	0	0	26	
1	15	1.862.710.00	REP. PREAMP. 48CH(1.862.711.00 24CH)	58	428	486	0	0	16	
1	16	1.862.743.00	PREAMPLIFIER SUPPLY	0	9	9	0	0	2	
1	19	1.862.704.00	BASIS BOARD AUDIO CONTROLLER	428	790	1218	0	0	29	
1	20	1.862.701.00	BASIS BOARD TAPE DECK	97	749	846	0	6	32	
1	21	1.862.712.00	RECORD AMPLIFIER PRIMARY RECORD	10	424	434	0	0	25	
1	22	1.862.712.00	RECORD AMPLIFIER SYNC RECORD	0	0	0	0	0	0	
1	23	1.862.741.00	JUNCT-B PRIM 48CH(1.862.754.00 24CH)	56	426	482	0	0	15	
1	24	1.862.751.00	JUNCT-B SYNC 48CH(1.862.75X.00 24CH)	0	0	0	0	0	3	
1	25		REMOTE CONTROL PANEL	0	57	57	0	0	0	
1	27	1.820.738.00	PARALLEL CONTROL INTERFACE	3	160	163	0	0	7	
1	28	1.862.000.00	SERBUS CONNECTOR PANEL BOX	0	10	10	0	0	1	
1	29	1.820.869.00	POWER FAIL SENSE BOARD	0	40	40	0	0	6	
1	30	1.820.875.00	SPOOLING MOTOR DRIVE AMPLIFIER RIGHT	1	23	24	0	0	4	
1	31	1.820.873.00	SWITCHING STAB. +15.0 / -15.0	2	20	22	0	0	3	
1	32	1.820.872.00	SWITCHING STABILIZER +5.6	1	21	22	0	0	3	
1	33	1.820.875.00	SPOOLING MOTOR DRIVE AMPLIFIER LEFT	1	23	24	0	0	4	
1	34		GROUND CONNECTION	0	1	1	0	0	1	
1	35	1.862.744.00	DISTRIBUTION BOARD TAPE DECK	21	297	318	0	0	46	
1	36	1.820.192.00	SPOOLING MOTOR ASSEMBLY, LEFT	1	11	12	0	0	2	
1	37	1.820.192.00	SPOOLING MOTOR ASSEMBLY, RIGHT	1	11	12	0	0	2	
1	38	1.021.695.00	CAPSTAN MOTOR (ELECTRONICS BOARD)	13	15	28	0	0	5	
1	39	1.820.774.00	CAPSTAN MOTOR DRIVE AMPLIFIER	4	30	34	0	0	3	
1	40	1.080.230.00	BRAKE ASSEMBLY, LEFT	1	2	3	0	0	1	
1	41	1.080.240.00	BRAKE ASSEMBLY, RIGHT	1	2	3	0	0	1	
1	42	1.820.772.00	TAPE TENSION SENSOR, LEFT	3	7	10	0	0	1	
1	43	1.820.772.00	TAPE TENSION SENSOR, RIGHT	3	7	10	0	0	1	
1	44	1.820.793.00	OPTO + EXTENDED SENSORS	0	10	10	0	0	1	
1	45	1.820.770.00	MOVE SENSOR	1	9	10	0	0	1	
1	46	1.820.773.00	TAPE LIFTER CONTROL, LEFT	5	11	16	0	0	1	
1	47	1.820.773.00	TAPE LIFTER CONTROL, RIGHT	5	11	16	0	0	1	
1	48	1.820.240.00	PUSHBUTTON ASSEMBLY	4	42	46	0	0	3	
1	49	1.820.250.00	EDIT ASSEMBLY	1	14	15	0	0	2	
1	50	1.820.768.00	TAPE DECK DISPLAY DRIVER	0	80	80	0	0	2	
1	51	1.820.767.00	COMMAND UNIT	1	39	40	0	0	1	
1	52	1.820.239.00	LCD DISPLAY BOARD	0	16	16	0	0	1	
1	59	1.820.866.00	FUSE/SUPPLY FAILURE DETECTOR	1	15	16	0	0	1	
1	60	1.820.831.00	PINCH ROLLER GATE	16	76	92	0	0	8	
1	69	1.862.560.00	FAN UNIT PCM BOX	0	2	2	0	0	1	
1	73		FAN + MECH. ELASPED TIMER UNIT	0	8	8	0	0	3	
1	74		FAN UNIT EQUALIZER	0	2	2	0	0	1	
2	1	1.050.494.00	ERASE HEAD AUX TRACKS 48 CH	2	16	18	0	0	2	
2	2	1.050.490.00	RECORD HEAD PRIMARY RECORD 48 CH	16	104	120	0	0	2	
2	3	1.050.491.00	REPRODUCE HEAD 48 CH	16	104	120	0	0	2	
2	4	1.050.490.00	RECORD HEAD SYNC RECORD 48 CH	16	104	120	0	0	2	
2	11	1.050.494.00	ERASE HEAD AUX TRACKS 24 CH	2	16	18	0	0	2	
2	12	1.050.492.00	RECORD HEAD PRIMARY RECORD 24 CH	12	56	68	0	0	2	
2	13	1.050.493.00	REPRODUCE HEAD 24 CH	12	56	68	0	0	2	

Element Summary

Listing of all elements (ELM) arranged by assembly (ASY) and groups (GRP). Elements in this context are connectors. This means that this list provides a summary of all connectors that exist in the machine.

Remark: Provides information on the name of the group on which the element (Connector) is located. In the case of the PCM rack this name coincides with the ASY number.
Example: BACKP:AA2 is ASY4B

```
*****
* STUDER REVOX AG * E L E M E N T S U M M A R Y * 91/02/19 * 11:24 * P A G E 23 *
*****
* 1.862.010.00 D820-48 PCM TAPE - RECORDER * 90/03/21 - 00 *
*****
ASY 4B 1.862.610.00 BACKPANEL AA2: A-GR.5 + A-GR.6 <-- <-- <-- CONTINUATION
```

GRP	ELM	PART NUMBER	DESCRIPTION	UNUSED PINS	USED PINS	TOT.PINS	MULT.PINS	COD.KEYS	REMARK
6	52B	1.862.670.00	P02 BTM	26	6	32	0	0	BACKP.AA2
6	52C	1.862.670.00	P02 BTM	13	19	32	0	0	BACKP.AA2
10	11		MA (MAPRO OUT) A-GR.5/CHANNEL 33-40	0	16	16	0	0	BACKP.AA2
10	12		TA (MAPRO IN) A-GR.5/CHANNEL 33-40	0	16	16	0	0	BACKP.AA2
10	21		DA OUT A-GR.5/CH35,36,39,40	0	16	16	0	0	BACKP.AA2
10	22		DA OUT A-GR.5/CH33,34,37,38	0	16	16	0	0	BACKP.AA2
10	31		AD IN A-GR.5/CHANNEL 37-40	0	16	16	0	0	BACKP.AA2
10	32		AD IN A-GR.5/CHANNEL 33-36	0	16	16	0	0	BACKP.AA2
10	41		IO A-GR.5+6/CHANNEL 33-48	0	16	16	0	0	BACKP.AA2
10	71		RESERVE 16-PIN	16	0	16	0	0	BACKP.AA2
10	72		GENERAL BUS ASSY.48	5	29	34	0	0	BACKP.AA2
10	72X		DUMMY CONNECTOR NOT EXISTENT	1	0	1	0	0	
10	80		POWER-TERMINAL GND	0	1	1	0	0	BACKP.AA2
10	81		POWER-TERMINAL GND	0	1	1	0	0	BACKP.AA2
10	82		POWER-TERMINAL GND	0	1	1	0	0	BACKP.AA2
10	83		POWER-TERMINAL GND	0	1	1	0	0	BACKP.AA2
10	84		POWER-TERMINAL GND	0	1	1	0	0	BACKP.AA2
11	11		MA (MAPRO OUT) A-GR.6/CHANNEL 41-48	0	16	16	0	0	BACKP.AA2
11	12		TA (MAPRO IN) A-GR.6/CHANNEL 41-48	0	16	16	0	0	BACKP.AA2
11	21		DA OUT A-GR.6/CH43,44,47,48	0	16	16	0	0	BACKP.AA2
11	22		DA OUT A-GR.6/CH41,42,45,46	0	16	16	0	0	BACKP.AA2
11	31		AD IN A-GR.6/CHANNEL 45-48	0	16	16	0	0	BACKP.AA2
11	32		AD IN A-GR.6/CHANNEL 41-44	0	16	16	0	0	BACKP.AA2
11	61A	1.862.601.00	5V CONVERTER 4B	2	14	16	0	0	BACKP.AA2
11	61B		DUMMY CONNECTOR NOT EXISTENT	16	0	16	0	0	
11	61C	1.862.601.00	5V CONVERTER 4B	1	15	16	0	0	BACKP.AA2
11	61D		DUMMY CONNECTOR NOT EXISTENT	16	0	16	0	0	
11	61E	1.862.601.00	5V CONVERTER 4B	0	16	16	0	0	BACKP.AA2
11	61F		DUMMY CONNECTOR NOT EXISTENT	16	0	16	0	0	
11	62A	1.862.601.00	5V CONVERTER 4A	2	14	16	0	0	BACKP.AA2
11	62B		DUMMY CONNECTOR NOT EXISTENT	16	0	16	0	0	
11	62C	1.862.601.00	5V CONVERTER 4A	1	15	16	0	0	BACKP.AA2
11	62D		DUMMY CONNECTOR NOT EXISTENT	16	0	16	0	0	
11	62E	1.862.601.00	5V CONVERTER 4A	0	16	16	0	0	BACKP.AA2
11	62F		DUMMY CONNECTOR NOT EXISTENT	24	0	24	0	0	
11	71		POWER-TERMINAL 0 V	0	1	1	0	0	BACKP.AA2
11	72		POWER-TERMINAL +60 V	0	1	1	0	0	BACKP.AA2
11	73		POWER-TERMINAL + 5 V 4B	0	1	1	0	0	BACKP.AA2
11	74		POWER-TERMINAL 0 V	0	1	1	0	0	BACKP.AA2
11	75		POWER-TERMINAL +60 V	0	1	1	0	0	BACKP.AA2
11	76		POWER-TERMINAL + 5 V 4A	0	1	1	0	0	BACKP.AA2
11	77		POWER-TERMINAL -18 V	0	1	1	0	0	BACKP.AA2
11	78		POWER-TERMINAL +18 V	0	1	1	0	0	BACKP.AA2
11	80		POWER-TERMINAL GND	0	1	1	0	0	BACKP.AA2
11	81		POWER-TERMINAL GND	0	1	1	0	0	BACKP.AA2
11	82		POWER-TERMINAL GND	0	1	1	0	0	BACKP.AA2
11	83		POWER-TERMINAL GND	0	1	1	0	0	BACKP.AA2
11	99		EMPTY PAGE	50	0	50	0	0	
DISTRIBUTED IN 97 ELM TOTAL :				738	1420	2158	0	0	

Location Pin List

Listing of all pins (PNT) arranged by assembly (ASY), group (GRP) and elements (ELM). This list is used for checking the pin assignment of a connector.

```

*****
*   STUDER REV0X AG   *   L O C A T I O N   P I N   L I S T   *   91/02/19 * 11:24 * P A G E 34 *
*****
*   1.862.010.00   D820-48   PCM TAPE - RECORDER   *   90/03/21 - 00   *
*****
ASY 1   1.862.100.00   TAPE DECK PCM - MCH

```

<pre> GRP 1 CONNECTIONS PANEL LEFT ===== ELM 1 AUDIO DATA OUTPUT, CH 01 TO 08 J01 ----- PNT SIGNAL NAME COLOR LV TYPE F ----- 1 TA-CH01 2 TA-ICH01 3 TA-CH02 4 TA-ICH02 5 TA-CH03 6 TA-ICH03 7 TA-CH04 8 TA-ICH04 9 TA-CH05 10 TA-ICH05 11 TA-CH06 12 TA-ICH06 13 TA-CH07 14 TA-ICH07 15 TA-CH08 16 TA-ICH08 ----- </pre>	<pre> GRP 1 <-- <-- <-- CONTINUATION ===== ELM 3 AUDIO DATA OUTPUT, CH 25 TO 32 J03 ----- PNT SIGNAL NAME COLOR LV TYPE F ----- 1 TA-CH25 2 TA-ICH25 3 TA-CH26 4 TA-ICH26 5 TA-CH27 6 TA-ICH27 7 TA-CH28 8 TA-ICH28 9 TA-CH29 10 TA-ICH29 11 TA-CH30 12 TA-ICH30 13 TA-CH31 14 TA-ICH31 15 TA-CH32 16 TA-ICH32 ----- </pre>	<pre> GRP 1 <-- <-- <-- CONTINUATION ===== ELM 5 DATA CUE1 + CUE2 J05 ----- PNT SIGNAL NAME COLOR LV TYPE F ----- 1 CU-CUE1 2 CU-ICUE1 3 CU-CUE2 4 CU-ICUE2 5 6 7 TA-CUE1 8 TA-ICUE1 9 TA-CUE2 10 TA-ICUE2 ----- ELM 6 SSDA TD CONTROL CONNECTOR J06 ----- PNT SIGNAL NAME COLOR LV TYPE F ----- 1 TD-SCLK 2 TD-ISCLK 3 TD-SRX 4 TD-ISRX 5 TD-STX 6 TD-ISTX 7 TD-SDTR 8 TD-ISDTR 9 TD-SCTS 10 TD-ISCTS ----- ELM 7 ANALOG CUE1 + CUE2 J07 ----- PNT SIGNAL NAME COLOR LV TYPE F ----- 1 AA-CUE10 2 AA-CUE1B 3 AA-CUE2A 4 5 6 AA-CUE1A 7 AA-CUE20 8 AA-CUE2B 9 ----- </pre>
---	--	--

Signal wire list

Listing and coding of all signals that exist in the machine. This list is an aid for signal tracing.

Remark: Provides information on the name of group on which the element (connector) is located. In case of PCM rack this name coincides with the ASY number.
 Example: BACKP:AA2 is ASY4B

PART NUMBER: In case of PCM rack the group numbers of all configured groups are specified. This is in contrast to the tape deck and head electronics where only the part number of the element (ELM), i.e. the connector is specified.

 * STUDER REVOK AG * S I G N A L W I R E L I S T * 91/02/19 * 11:24 * P A G E 400 *

 * 1.862.010.00 D820-4B PCM TAPE - RECORDER * 90/03/21 - 00 *

SIGNAL NAME	COLOR	MI	ASY	GRP	ELM	PNT	S	LV	TYPE	DESCRIPTION OF ELEMENT	REMARK	ELEMENT NR.
<<-- CONT.OF GND			3B	3	42A	15A				P02 AD A-GR3 (CH 17-24)	BACKP.AA1	1.862.650.00
			3B	3	42A	16A				P02 AD A-GR3 (CH 17-24)	BACKP.AA1	1.862.650.00
			3B	3	42A	17A				P02 AD A-GR3 (CH 17-24)	BACKP.AA1	1.862.650.00
			3B	3	42A	18A				P02 AD A-GR3 (CH 17-24)	BACKP.AA1	1.862.650.00
			3B	3	42A	19A				P02 AD A-GR3 (CH 17-24)	BACKP.AA1	1.862.650.00
			3B	3	42A	21A				P02 AD A-GR3 (CH 17-24)	BACKP.AA1	1.862.650.00
			3B	3	42B	1B				P02 AD A-GR3 (CH 17-24)	BACKP.AA1	1.862.650.00
			3B	3	42B	2B				P02 AD A-GR3 (CH 17-24)	BACKP.AA1	1.862.650.00
			3B	3	42B	3B				P02 AD A-GR3 (CH 17-24)	BACKP.AA1	1.862.650.00
			3B	3	42B	4B				P02 AD A-GR3 (CH 17-24)	BACKP.AA1	1.862.650.00
			3B	3	42B	5B				P02 AD A-GR3 (CH 17-24)	BACKP.AA1	1.862.650.00
			3B	3	42B	6B				P02 AD A-GR3 (CH 17-24)	BACKP.AA1	1.862.650.00
			3B	3	42B	7B				P02 AD A-GR3 (CH 17-24)	BACKP.AA1	1.862.650.00
			3B	3	42B	8B				P02 AD A-GR3 (CH 17-24)	BACKP.AA1	1.862.650.00
			3B	3	42B	9B				P02 AD A-GR3 (CH 17-24)	BACKP.AA1	1.862.650.00
			3B	3	42B	10B				P02 AD A-GR3 (CH 17-24)	BACKP.AA1	1.862.650.00
			3B	3	42C	1C				P02 AD A-GR3 (CH 17-24)	BACKP.AA1	1.862.650.00
			3B	3	42C	2C				P02 AD A-GR3 (CH 17-24)	BACKP.AA1	1.862.650.00
			3B	3	42C	4C				P02 AD A-GR3 (CH 17-24)	BACKP.AA1	1.862.650.00
			3B	3	42C	6C				P02 AD A-GR3 (CH 17-24)	BACKP.AA1	1.862.650.00
			3B	3	42C	8C				P02 AD A-GR3 (CH 17-24)	BACKP.AA1	1.862.650.00
			3B	3	42C	10C				P02 AD A-GR3 (CH 17-24)	BACKP.AA1	1.862.650.00
			3B	3	42C	14C				P02 AD A-GR3 (CH 17-24)	BACKP.AA1	1.862.650.00
			3B	3	42C	15C				P02 AD A-GR3 (CH 17-24)	BACKP.AA1	1.862.650.00
			3B	3	42C	16C				P02 AD A-GR3 (CH 17-24)	BACKP.AA1	1.862.650.00
			3B	3	42C	17C				P02 AD A-GR3 (CH 17-24)	BACKP.AA1	1.862.650.00
			3B	3	42C	18C				P02 AD A-GR3 (CH 17-24)	BACKP.AA1	1.862.650.00
			3B	3	42C	19C				P02 AD A-GR3 (CH 17-24)	BACKP.AA1	1.862.650.00
			3B	3	42C	23C				P02 AD A-GR3 (CH 17-24)	BACKP.AA1	1.862.650.00
			3B	3	42C	24C				P02 AD A-GR3 (CH 17-24)	BACKP.AA1	1.862.650.00
			3B	3	52A	1A				P02 BTM	BACKP.AA1	1.862.670.00
			3B	3	52A	2A				P02 BTM	BACKP.AA1	1.862.670.00
			3B	3	52B	1B				P02 BTM	BACKP.AA1	1.862.670.00
			3B	3	52B	2B				P02 BTM	BACKP.AA1	1.862.670.00
			3B	3	52C	1C				P02 BTM	BACKP.AA1	1.862.670.00
			3B	3	52C	2C				P02 BTM	BACKP.AA1	1.862.670.00
			3B	10	21	3				DA OUT A-GR.2/CH11,12,15,16	BACKP.AA1	
			3B	10	21	4				DA OUT A-GR.2/CH11,12,15,16	BACKP.AA1	
			3B	10	21	7				DA OUT A-GR.2/CH11,12,15,16	BACKP.AA1	
			3B	10	21	8				DA OUT A-GR.2/CH11,12,15,16	BACKP.AA1	
			3B	10	21	11				DA OUT A-GR.2/CH11,12,15,16	BACKP.AA1	
			3B	10	21	12				DA OUT A-GR.2/CH11,12,15,16	BACKP.AA1	
			3B	10	21	15				DA OUT A-GR.2/CH11,12,15,16	BACKP.AA1	
			3B	10	21	16				DA OUT A-GR.2/CH11,12,15,16	BACKP.AA1	
			3B	10	22	3				DA OUT A-GR.2/CH 9,10,13,14	BACKP.AA1	
			3B	10	22	4				DA OUT A-GR.2/CH 9,10,13,14	BACKP.AA1	
			3B	10	22	7				DA OUT A-GR.2/CH 9,10,13,14	BACKP.AA1	
			3B	10	22	8				DA OUT A-GR.2/CH 9,10,13,14	BACKP.AA1	
			3B	10	22	11				DA OUT A-GR.2/CH 9,10,13,14	BACKP.AA1	
			3B	10	22	12				DA OUT A-GR.2/CH 9,10,13,14	BACKP.AA1	
			3B	10	22	15				DA OUT A-GR.2/CH 9,10,13,14	BACKP.AA1	
			3B	10	22	16				DA OUT A-GR.2/CH 9,10,13,14	BACKP.AA1	
			3B	10	31	1				AD IN A-GR.2/CHANNEL 13-16	BACKP.AA1	
			3B	10	31	2				AD IN A-GR.2/CHANNEL 13-16	BACKP.AA1	

Signal statistics

Listing of all signals that occur in the machine.

* STUDER REVOX AG * S I G N A L S T A T I S T I C S * 91/02/19 * 11:24 * P A G E 584 *

 * 1.862.010.00 D820-48 PCM TAPE - RECORDER * 90/03/21 - 00 *

SIG.NR	SIGNAL NAME	OCCUR- RENCE	COLOR	SPECIAL # * < @	#-NODE ASY GRP	SIG.NR	SIGNAL NAME	OCCUR- RENCE	COLOR	SPECIAL # * < @	#-NODE ASY GRP
000644	D-FEEDT1	2				000698	DA-OUT26	4			
000645	D-FEEDT2	2				000699	DA-OUT27	4			
000646	D-ILD0EQ	3				000700	DA-OUT28	4			
000647	D-ILD0PB	3				000701	DA-OUT29	4			
000648	D-ILD0R	8				000702	DA-OUT30	4			
000649	D-ILD0MR	8				000703	DA-OUT31	4			
000650	D-ILD1PR	3				000704	DA-OUT32	4			
000651	D-ILD1SR	2				000705	DA-OUT33	4			
000652	D-ILD2ER	2				000706	DA-OUT34	4			
000653	D-IMSAFE	4				000707	DA-OUT35	4			
000654	D-IREC	4				000708	DA-OUT36	4			
000655	D-ISCLK	4				000709	DA-OUT37	4			
000656	D-LD1PR	1				000710	DA-OUT38	4			
000657	D-LEVLC1	2				000711	DA-OUT39	4			
000658	D-LEVLC2	2				000712	DA-OUT40	4			
000659	D-MESOUT	8				000713	DA-OUT41	4			
000660	D-MSAFE	4				000714	DA-OUT42	4			
000661	D-PBDATA	11				000715	DA-OUT43	4			
000662	D-PW/AC1	2				000716	DA-OUT44	4			
000663	D-PW/AC2	2				000717	DA-OUT45	4			
000664	D-REC	4				000718	DA-OUT46	4			
000665	D-SAFE	16				000719	DA-OUT47	4			
000666	D-SCLK	4				000720	DA-OUT48	4			
000667	D-SCLK-R	8				000721	DAIOUT01	4			
000668	D-SCLKEQ	3				000722	DAIOUT02	4			
000669	D-SCLKPB	3				000723	DAIOUT03	4			
000670	D-SCLKWR	10				000724	DAIOUT04	4			
000671	D-TESTC1	2				000725	DAIOUT05	4			
000672	D-TESTC2	2				000726	DAIOUT06	4			
000673	DA-OUT01	4				000727	DAIOUT07	4			
000674	DA-OUT02	4				000728	DAIOUT08	4			
000675	DA-OUT03	4				000729	DAIOUT09	4			
000676	DA-OUT04	4				000730	DAIOUT10	4			
000677	DA-OUT05	4				000731	DAIOUT11	4			
000678	DA-OUT06	4				000732	DAIOUT12	4			
000679	DA-OUT07	4				000733	DAIOUT13	4			
000680	DA-OUT08	4				000734	DAIOUT14	4			
000681	DA-OUT09	4				000735	DAIOUT15	4			
000682	DA-OUT10	4				000736	DAIOUT16	4			
000683	DA-OUT11	4				000737	DAIOUT17	4			
000684	DA-OUT12	4				000738	DAIOUT18	4			
000685	DA-OUT13	4				000739	DAIOUT19	4			
000686	DA-OUT14	4				000740	DAIOUT20	4			
000687	DA-OUT15	4				000741	DAIOUT21	4			
000688	DA-OUT16	4				000742	DAIOUT22	4			
000689	DA-OUT17	4				000743	DAIOUT23	4			
000690	DA-OUT18	4				000744	DAIOUT24	4			
000691	DA-OUT19	4				000745	DAIOUT25	4			
000692	DA-OUT20	4				000746	DAIOUT26	4			
000693	DA-OUT21	4				000747	DAIOUT27	4			
000694	DA-OUT22	4				000748	DAIOUT28	4			
000695	DA-OUT23	4				000749	DAIOUT29	4			
000696	DA-OUT24	4				000750	DAIOUT30	4			
000697	DA-OUT25	4				000751	DAIOUT31	4			

Erklärungen zur Verdrahtungsliste

Bei der D820MCH wird die zuverlässige Methode der automatischen Generierung von Computer-Verdrahtungslisten angewendet. Diese informieren über jede elektrische Verbindung innerhalb des Gerätes.

Zur besseren Übersicht werden die Einheiten (ASY) Stromversorgung, Steuerung, Laufwerksteuerung und der Audioteil in Gruppen (GRP) aufgeteilt. Diese Gruppen bestehen wiederum aus Elementen (ELM) und Anschlusspunkten (PNT).

Die Signale tragen Bezeichnungen, welche aus verschiedenen Abkürzungen kombiniert sind und ihre jeweilige Funktion erkennen lassen.

Zusammensetzung der Signalnamen im PCM-Rack und Laufwerkteil

PCM-Rack

Die Signalnamen im PCM-Rack bestehen aus maximal 8 Buchstaben.

Header (Die ersten zwei Buchstaben)

Abkürzung:	Bedeutung:
MA:	MAPRO
IO:	I/O
AD:	A/D Wandler
DA:	D/A Wandler
CU:	CUE
CP:	CPU (Force-Karte oder CPU-Interface)
PI:	PIF
RT:	RT
SS:	SSTC (TC-Leser & Synchroniser oder TC-Generator)
CK:	Clock
PP:	Ping-Pong
MI:	Master I/O
AI:	AES-Interface
VC:	Netzteile 5V oder 18V
CO:	Connector-Panel

Der Header bezeichnet jeweils den Ursprung des Signals.

Bei bidirektionellen Signalen bezeichnet der Header diejenige Baugruppe, welche das Signal steuert.

Separator (Bindestrich):

Der Header wird von der Signalbezeichnung durch einen Bindestrich getrennt (z.B.: PI-....).

Ausnahme: Wenn für die Signalbezeichnung fünf Buchstaben benötigt werden, kann das "I" (Bezeichnung für ein differentielles Signal) den Bindestrich ersetzen. Beispiel: CO-AIN06 und COIAIN06

Signalbezeichnung

Die Signalbezeichnung besteht aus 1-5 Buchstaben, welche eine sinnvolle Abkürzung der Signalbezeichnung ergeben.

Den differentielles Signalen wird ein "I" vorangesetzt (z.B. MA-CH17 and MA-ICH17).

Laufwerk

Für das Laufwerk gelten die selben Signaldefinitionen wie sie in den STUDER Analog-Tonbandmaschinen verwendet werden.

Abkürzung:	Bedeutung:
T:	TTL Signal allgemein, Steuersignal logisch
TA:	TTL Audio
TC:	TTL Capstan
TM:	TTL Master Prozessor
TD:	Tape Deck Prozessor
REC:	Record Head Pfad
REP:	Repro Head Pfad

Allgemeine Signale

Allgemeine Signale, welche nicht direkt mit einem bestimmten Teil der Maschine gekoppelt sind, und bei welchen der Name selbsterklärend ist, gelten die oben erwähnten Definitionen nicht.

Beispiele: GND, +5V 3A, -18V

Die fünf Arten der Verdrahtungsliste

Group Summary

Auflistung aller Gruppen (GRP), nach Assembly (ASY) geordnet.

PART NUMBER: Beim PCM Rack werden für die eingesteckten Baugruppen auch die entsprechenden Baugruppennummern angegeben im Gegensatz zu der Laufwerk- und Kopfelektronik, wo lediglich die Artikelnummer des Elementes (ELM) also des Steckers angegeben wird.

```
*****
* STUDER REVOK AG * G R O U P S U M M A R Y * 91/02/19 * 11:24 * P A G E 3 *
*****
* 1.862.010.00 D820-48 PCM TAPE - RECORDER * 90/03/21 - 00 *
*****
```

ASY	GRP	PART NUMBER	DESCRIPTION	UNUSED PINS	USED PINS	TOT.PINS	MULT.PINS	COD.KEYS	TOT.ELM	REM
1	1		CONNECTIONS PANEL LEFT	7	172	179	0	0	11	
1	2		CONNECTIONS PANEL RIGHT	0	128	128	0	0	8	
1	10	1.862.703.00	BASIS BOARD EQUALIZER	243	713	956	0	0	26	
1	15	1.862.710.00	REP. PREAMP. 48CH(1.862.711.00 24CH)	58	428	486	0	0	16	
1	16	1.862.743.00	PREAMPLIFIER SUPPLY	0	9	9	0	0	2	
1	19	1.862.704.00	BASIS BOARD AUDIO CONTROLLER	428	790	1218	0	0	29	
1	20	1.862.701.00	BASIS BOARD TAPE DECK	97	749	846	0	6	32	
1	21	1.862.712.00	RECORD AMPLIFIER PRIMARY RECORD	10	424	434	0	0	25	
1	22	1.862.712.00	RECORD AMPLIFIER SYNC RECORD	0	0	0	0	0	0	
1	23	1.862.741.00	JUNCT-B PRIM 48CH(1.862.754.00 24CH)	56	426	482	0	0	15	
1	24	1.862.751.00	JUNCT-B SYNC 48CH(1.862.75X.00 24CH)	0	0	0	0	0	0	
1	25		REMOTE CONTROL PANEL	0	57	57	0	0	2	
1	27	1.820.738.00	PARALLEL CONTROL INTERFACE	3	160	163	0	0	7	
1	28	1.862.000.00	SERBUS CONNECTOR PANEL BOX	0	10	10	0	0	1	
1	29	1.820.869.00	POWER FAIL SENSE BOARD	0	40	40	0	0	6	
1	30	1.820.875.00	SPOOLING MOTOR DRIVE AMPLIFIER RIGHT	1	23	24	0	0	4	
1	31	1.820.873.00	SWITCHING STAB. +15.0 / -15.0	2	21	22	0	0	3	
1	32	1.820.872.00	SWITCHING STABILIZER +5.6	1	21	22	0	0	3	
1	33	1.820.875.00	SPOOLING MOTOR DRIVE AMPLIFIER LEFT	1	23	24	0	0	4	
1	34		GROUND CONNECTION	0	1	1	0	0	1	
1	35	1.862.744.00	DISTRIBUTION BOARD TAPE DECK	21	297	318	0	0	46	
1	36	1.820.192.00	SPOOLING MOTOR ASSEMBLY, LEFT	1	11	12	0	0	2	
1	37	1.820.192.00	SPOOLING MOTOR ASSEMBLY, RIGHT	1	11	12	0	0	2	
1	38	1.021.695.00	CAPSTAN MOTOR (ELECTRONICS BOARD)	13	15	28	0	0	5	
1	39	1.820.774.00	CAPSTAN MOTOR DRIVE AMPLIFIER	4	30	34	0	0	3	
1	40	1.080.230.00	BRAKE ASSEMBLY, LEFT	1	2	3	0	0	1	
1	41	1.080.240.00	BRAKE ASSEMBLY, RIGHT	3	7	10	0	0	1	
1	42	1.820.772.00	TAPE TENSION SENSOR, LEFT	3	7	10	0	0	1	
1	43	1.820.772.00	TAPE TENSION SENSOR, RIGHT	0	10	10	0	0	1	
1	44	1.820.793.00	OPTO + EXTENDED SENSORS	1	9	10	0	0	1	
1	45	1.820.770.00	MOVE SENSOR	5	11	16	0	0	1	
1	46	1.820.773.00	TAPE LIFTER CONTROL, LEFT	5	11	16	0	0	1	
1	47	1.820.773.00	TAPE LIFTER CONTROL, RIGHT	4	42	46	0	0	3	
1	48	1.820.240.00	PUSHBUTTON ASSEMBLY	1	14	15	0	0	2	
1	49	1.820.250.00	EDIT ASSEMBLY	0	80	80	0	0	2	
1	50	1.820.768.00	TAPE DECK DISPLAY DRIVER	1	39	40	0	0	1	
1	51	1.820.767.00	COMMAND UNIT	0	16	16	0	0	1	
1	52	1.820.239.00	LCD DISPLAY BOARD	1	15	16	0	0	1	
1	59	1.820.866.00	FUSE/SUPPLY FAILURE DETECTOR	16	76	92	0	0	8	
1	60	1.820.831.00	PINCH ROLLER GATE	0	2	2	0	0	1	
1	69	1.862.560.00	FAN UNIT PCM BOX	0	8	8	0	0	3	
1	73		FAN + MECH. ELASPED TIMER UNIT	0	2	2	0	0	1	
1	74		FAN UNIT EQUALIZER	0	2	2	0	0	1	
2	1	1.050.494.00	ERASE HEAD AUX TRACKS 48 CH	2	16	18	0	0	2	
2	2	1.050.490.00	RECORD HEAD PRIMARY RECORD 48 CH	16	104	120	0	0	2	
2	3	1.050.491.00	REPRODUCE HEAD 48 CH	16	104	120	0	0	2	
2	4	1.050.490.00	RECORD HEAD SYNC RECORD 48 CH	16	104	120	0	0	2	
2	11	1.050.494.00	ERASE HEAD AUX TRACKS 24 CH	2	16	18	0	0	2	
2	12	1.050.492.00	RECORD HEAD PRIMARY RECORD 24 CH	12	56	68	0	0	2	
2	13	1.050.493.00	REPRODUCE HEAD 24 CH	12	56	68	0	0	2	

Element Summary

Auflistung aller Elemente (ELM), nach Assembly (ASY) und Gruppen (GRP) geordnet.
 Unter den Elementen sind Stecker zu verstehen, somit gibt die Liste Übersicht über alle Stecker, welche in der Maschine vorkommen.

REMARK: Gibt Auskunft über den Namen der Baugruppe auf welcher sich das Element (Stecker) befindet. Dieser Name entspricht beim PCM-Rack zugleich der ASY-Nummer.
 Beispiel: BACKP:AA2 ist ASY4B

```
*****
* STUDER REVOX AG * E L E M E N T S U M M A R Y * 91/02/19 * 11:24 * PAGE 23 *
*****
* 1.862.010.00 D820-48 PCM TAPE - RECORDER * 90/03/21 - 00 *
*****
ASY 4B 1.862.610.00 BACKPANEL AA2: A-GR.5 + A-GR.6 <-- <-- <-- CONTINUATION
```

GRP	ELM	PART NUMBER	DESCRIPTION	UNUSED PINS	USED PINS	TOT.PINS	MULT.PINS	COD.KEYS	REMARK
6	52B	1.862.670.00	P02 BTM	26	6	32	0	0	BACKP.AA2
6	52C	1.862.670.00	P02 BTM	13	19	32	0	0	BACKP.AA2
10	11		MA (MAPRO OUT) A-GR.5/CHANNEL 33-40	0	16	16	0	0	BACKP.AA2
10	12		TA (MAPRO IN) A-GR.5/CHANNEL 33-40	0	16	16	0	0	BACKP.AA2
10	21		DA OUT A-GR.5/CH35,36,39,40	0	16	16	0	0	BACKP.AA2
10	22		DA OUT A-GR.5/CH33,34,37,38	0	16	16	0	0	BACKP.AA2
10	31		AD IN A-GR.5/CHANNEL 37-40	0	16	16	0	0	BACKP.AA2
10	32		AD IN A-GR.5/CHANNEL 35-36	0	16	16	0	0	BACKP.AA2
10	41		IO A-GR.5+6/CHANNEL 35-48	0	16	16	0	0	BACKP.AA2
10	71		RESERVE 16-PIN	16	0	16	0	0	BACKP.AA2
10	72		GENERAL BUS ASSY.4B	5	29	34	0	0	BACKP.AA2
10	72X		DUMMY CONNECTOR NOT EXISTENT	1	0	1	0	0	0
10	80		POWER-TERMINAL GND	0	1	1	0	0	BACKP.AA2
10	81		POWER-TERMINAL GND	0	1	1	0	0	BACKP.AA2
10	82		POWER-TERMINAL GND	0	1	1	0	0	BACKP.AA2
10	83		POWER-TERMINAL GND	0	1	1	0	0	BACKP.AA2
10	84		POWER-TERMINAL GND	0	1	1	0	0	BACKP.AA2
11	11		MA (MAPRO OUT) A-GR.6/CHANNEL 41-48	0	16	16	0	0	BACKP.AA2
11	12		TA (MAPRO IN) A-GR.6/CHANNEL 41-48	0	16	16	0	0	BACKP.AA2
11	21		DA OUT A-GR.6/CH43,44,47,48	0	16	16	0	0	BACKP.AA2
11	22		DA OUT A-GR.6/CH41,42,45,46	0	16	16	0	0	BACKP.AA2
11	31		AD IN A-GR.6/CHANNEL 45-48	0	16	16	0	0	BACKP.AA2
11	32		AD IN A-GR.6/CHANNEL 41-44	0	16	16	0	0	BACKP.AA2
11	61A	1.862.601.00	SV CONVERTER 4B	2	14	16	0	0	BACKP.AA2
11	61B		DUMMY CONNECTOR NOT EXISTENT	16	0	16	0	0	0
11	61C	1.862.601.00	SV CONVERTER 4B	1	15	16	0	0	BACKP.AA2
11	61D		DUMMY CONNECTOR NOT EXISTENT	16	0	16	0	0	0
11	61E	1.862.601.00	SV CONVERTER 4B	0	16	16	0	0	BACKP.AA2
11	61F		DUMMY CONNECTOR NOT EXISTENT	16	0	16	0	0	0
11	62A	1.862.601.00	SV CONVERTER 4A	2	14	16	0	0	BACKP.AA2
11	62B		DUMMY CONNECTOR NOT EXISTENT	16	0	16	0	0	0
11	62C	1.862.601.00	SV CONVERTER 4A	1	15	16	0	0	BACKP.AA2
11	62D		DUMMY CONNECTOR NOT EXISTENT	16	0	16	0	0	0
11	62E	1.862.601.00	SV CONVERTER 4A	0	16	16	0	0	BACKP.AA2
11	62F		DUMMY CONNECTOR NOT EXISTENT	24	0	24	0	0	0
11	71		POWER-TERMINAL 0 V	0	1	1	0	0	BACKP.AA2
11	72		POWER-TERMINAL +60 V	0	1	1	0	0	BACKP.AA2
11	73		POWER-TERMINAL + 5 V 4B	0	1	1	0	0	BACKP.AA2
11	74		POWER-TERMINAL 0 V	0	1	1	0	0	BACKP.AA2
11	75		POWER-TERMINAL +60 V	0	1	1	0	0	BACKP.AA2
11	76		POWER-TERMINAL + 5 V 4A	0	1	1	0	0	BACKP.AA2
11	77		POWER-TERMINAL -18 V	0	1	1	0	0	BACKP.AA2
11	78		POWER-TERMINAL +18 V	0	1	1	0	0	BACKP.AA2
11	80		POWER-TERMINAL GND	0	1	1	0	0	BACKP.AA2
11	81		POWER-TERMINAL GND	0	1	1	0	0	BACKP.AA2
11	82		POWER-TERMINAL GND	0	1	1	0	0	BACKP.AA2
11	83		POWER-TERMINAL GND	0	1	1	0	0	BACKP.AA2
11	99		EMPTY PAGE	50	0	50	0	0	0
DISTRIBUTED IN 97 ELM TOTAL :				738	1420	2158	0	0	

Location Pin List

Auflistung aller Pin's (PNT) nach Assembly (ASY),
 Gruppen (GRP) und Elemente (ELM) geordnet.
 Diese Liste dient zur Überprüfung der Pin-Belegung eines Steckers.

```

*****
*   STUDER REVOX AG *   L O C A T I O N   P I N   L I S T   *   21/02/19 * 11:24 *   P A G E   77   *
*****
*   1.862.010.00 D820-48 PCM TAPE - RECORDER *   *   90/03/21 - 00   *
*****
ASY 1      1.862.100.00 TAPE DECK PCM - MCH
*****
GRP 21      1.862.712.00
<-- <-- <-- CONTINUATION
*****
ELM 9       54.14.2003
RECORD CURRENT CH 41..48          P09
-----
PNT SIGNAL NAME  COLOR LV TYPE      F
-----
1  A-RDC+41
2  A-RDC-41
3  A-RSEN41
4  A-RSEN42
5  A-RDC+42
6  A-RDC-42
7  A-RDC+43
8  A-RDC-43
9  A-RSEN43
10 A-RSEN44
11 A-RDC+44
12 A-RDC-44
13 A-RDC+45
14 A-RDC-45
15 A-RSEN45
16 A-RSEN46
17 A-RDC+46
18 A-RDC-46
19 A-RDC+47
20 A-RDC-47
21 A-RSEN47
22 A-RSEN48
23 A-RDC+48
24 A-RDC-48
25 + 0.0
26 + 0.0
-----
././

GRP 21      1.862.712.00
<-- <-- <-- CONTINUATION
*****
ELM 10      AUDIO DATA INPUT, CH 01 TO 08  P10
-----
PNT SIGNAL NAME  COLOR LV TYPE      F
-----
1  MA-CH01
2  MA-ICH01
3  MA-CH02
4  MA-ICH02
5  MA-CH03
6  MA-ICH03
7  MA-CH04
8  MA-ICH04
9  MA-CH05
10 MA-ICH05
11 MA-CH06
12 MA-ICH06
13 MA-CH07
14 MA-ICH07
15 MA-CH08
16 MA-ICH08
-----
ELM 11      AUDIO DATA INPUT, CH 09 TO 16  P11
-----
PNT SIGNAL NAME  COLOR LV TYPE      F
-----
1  MA-CH09
2  MA-ICH09
3  MA-CH10
4  MA-ICH10
5  MA-CH11
6  MA-ICH11
7  MA-CH12
8  MA-ICH12
9  MA-CH13
10 MA-ICH13
11 MA-CH14
12 MA-ICH14
13 MA-CH15
14 MA-ICH15
15 MA-CH16
16 MA-ICH16
-----
././

GRP 21      1.862.712.00
<-- <-- <-- CONTINUATION
*****
ELM 12      AUDIO DATA INPUT, CH 17 TO 24  P12
-----
PNT SIGNAL NAME  COLOR LV TYPE      F
-----
1  MA-CH17
2  MA-ICH17
3  MA-CH18
4  MA-ICH18
5  MA-CH19
6  MA-ICH19
7  MA-CH20
8  MA-ICH20
9  MA-CH21
10 MA-ICH21
11 MA-CH22
12 MA-ICH22
13 MA-CH23
14 MA-ICH23
15 MA-CH24
16 MA-ICH24
-----
ELM 13      AUDIO DATA INPUT, CH 25 TO 32  P13
-----
PNT SIGNAL NAME  COLOR LV TYPE      F
-----
1  MA-CH25
2  MA-ICH25
3  MA-CH26
4  MA-ICH26
5  MA-CH27
6  MA-ICH27
7  MA-CH28
8  MA-ICH28
9  MA-CH29
10 MA-ICH29
11 MA-CH30
12 MA-ICH30
13 MA-CH31
14 MA-ICH31
15 MA-CH32
16 MA-ICH32
-----
././
    
```

Signal Wire List

Auflistung und Aufschlüsselung aller Signale, welche in der Maschine vorhanden sind. Diese Liste ist eine Hilfe bei der Signalverfolgung.

Seite 149-317

Remark: Gibt Auskunft über den Namen der Baugruppe auf welcher sich das Element (Stecker) befindet. Dieser Name entspricht beim PCM-Rack zugleich der ASY-Nummer.

Beispiel: BACKP:AA2 ist ASY4B

PART NUMBER: Beim PCM Rack werden für die eingesteckten Baugruppen auch die entsprechenden Baugruppennummern angegeben im Gegensatz zu der Laufwerk- und Kopfelektronik wo lediglich die Artikelnummer des Elementes (ELM) also des Steckers angegeben wird.

```

* STUDER REVOX AG * S I G N A L W I R E L I S T * 91/02/19 * 11:24 * P A G E 448 *
*****
* 1.862.010.00 D820-4B PCM TAPE - RECORDER * 90/03/21 - 00 *
*****

```

SIGNAL NAME	COLOR	MI	ASY	GRP	ELM	PNT	S	LV	TYPE	DESCRIPTION OF ELEMENT	REMARK	ELEMENT NR.
MA-3RD			3B	3	11C	11C				P01 MAPRO A-GR3 (CH 17-24)	BACKP.AA1	1.862.652.00
			3B	3	21C	11C				P01 DA A-GR3 (CH 17-24)	BACKP.AA1	1.862.651.00
			3B	3	31C	11C				P01 IO A-GR3 (CH 17-24)	BACKP.AA1	1.862.653.00
			3B	3	41C	11C				P01 AD A-GR3 (CH 17-24)	BACKP.AA1	1.862.650.00
MA-3HR			3B	3	11A	11A				P01 MAPRO A-GR3 (CH 17-24)	BACKP.AA1	1.862.652.00
			3B	3	21A	11A				P01 DA A-GR3 (CH 17-24)	BACKP.AA1	1.862.651.00
			3B	3	31A	11A				P01 IO A-GR3 (CH 17-24)	BACKP.AA1	1.862.653.00
			3B	3	41A	11A				P01 AD A-GR3 (CH 17-24)	BACKP.AA1	1.862.650.00
MA-4DA12			4A	4	11C	12C				P01 MAPRO A-GR4 (CH 25-32)	BACKP.AS2	1.862.652.00
			4A	4	21A	12A				P01 DA A-GR4 (CH 25-32)	BACKP.AS2	1.862.651.00
MA-4DA13			4A	4	11C	13C				P01 MAPRO A-GR4 (CH 25-32)	BACKP.AS2	1.862.652.00
			4A	4	21A	13A				P01 DA A-GR4 (CH 25-32)	BACKP.AS2	1.862.651.00
MA-4DA14			4A	4	11C	14C				P01 MAPRO A-GR4 (CH 25-32)	BACKP.AS2	1.862.652.00
			4A	4	21A	14A				P01 DA A-GR4 (CH 25-32)	BACKP.AS2	1.862.651.00
MA-4DA15			4A	4	11C	15C				P01 MAPRO A-GR4 (CH 25-32)	BACKP.AS2	1.862.652.00
			4A	4	21A	15A				P01 DA A-GR4 (CH 25-32)	BACKP.AS2	1.862.651.00
MA-4DA16			4A	4	11C	16C				P01 MAPRO A-GR4 (CH 25-32)	BACKP.AS2	1.862.652.00
			4A	4	21A	16A				P01 DA A-GR4 (CH 25-32)	BACKP.AS2	1.862.651.00
MA-4DA17			4A	4	11C	17C				P01 MAPRO A-GR4 (CH 25-32)	BACKP.AS2	1.862.652.00
			4A	4	21A	17A				P01 DA A-GR4 (CH 25-32)	BACKP.AS2	1.862.651.00
MA-4DA18			4A	4	11C	18C				P01 MAPRO A-GR4 (CH 25-32)	BACKP.AS2	1.862.652.00
			4A	4	21A	18A				P01 DA A-GR4 (CH 25-32)	BACKP.AS2	1.862.651.00
MA-4DA19			4A	4	11C	19C				P01 MAPRO A-GR4 (CH 25-32)	BACKP.AS2	1.862.652.00
			4A	4	21A	19A				P01 DA A-GR4 (CH 25-32)	BACKP.AS2	1.862.651.00
MA-4D00			4A	4	11A	10A				P01 MAPRO A-GR4 (CH 25-32)	BACKP.AS2	1.862.652.00
			4A	4	21A	10A				P01 DA A-GR4 (CH 25-32)	BACKP.AS2	1.862.651.00
			4A	4	31A	10A				P01 IO A-GR4 (CH 25-32)	BACKP.AS2	1.862.653.00
			4A	4	41A	10A				P01 AD A-GR4 (CH 25-32)	BACKP.AS2	1.862.650.00
MA-4D01			4A	4	11C	10C				P01 MAPRO A-GR4 (CH 25-32)	BACKP.AS2	1.862.652.00
			4A	4	21C	10C				P01 DA A-GR4 (CH 25-32)	BACKP.AS2	1.862.651.00
			4A	4	31C	10C				P01 IO A-GR4 (CH 25-32)	BACKP.AS2	1.862.653.00
			4A	4	41C	10C				P01 AD A-GR4 (CH 25-32)	BACKP.AS2	1.862.650.00
MA-4D02			4A	4	11A	9A				P01 MAPRO A-GR4 (CH 25-32)	BACKP.AS2	1.862.652.00
			4A	4	21A	9A				P01 DA A-GR4 (CH 25-32)	BACKP.AS2	1.862.651.00
			4A	4	31A	9A				P01 IO A-GR4 (CH 25-32)	BACKP.AS2	1.862.653.00
			4A	4	41A	9A				P01 AD A-GR4 (CH 25-32)	BACKP.AS2	1.862.650.00
MA-4D03			4A	4	11C	9C				P01 MAPRO A-GR4 (CH 25-32)	BACKP.AS2	1.862.652.00
			4A	4	21C	9C				P01 DA A-GR4 (CH 25-32)	BACKP.AS2	1.862.651.00
			4A	4	31C	9C				P01 IO A-GR4 (CH 25-32)	BACKP.AS2	1.862.653.00
			4A	4	41C	9C				P01 AD A-GR4 (CH 25-32)	BACKP.AS2	1.862.650.00

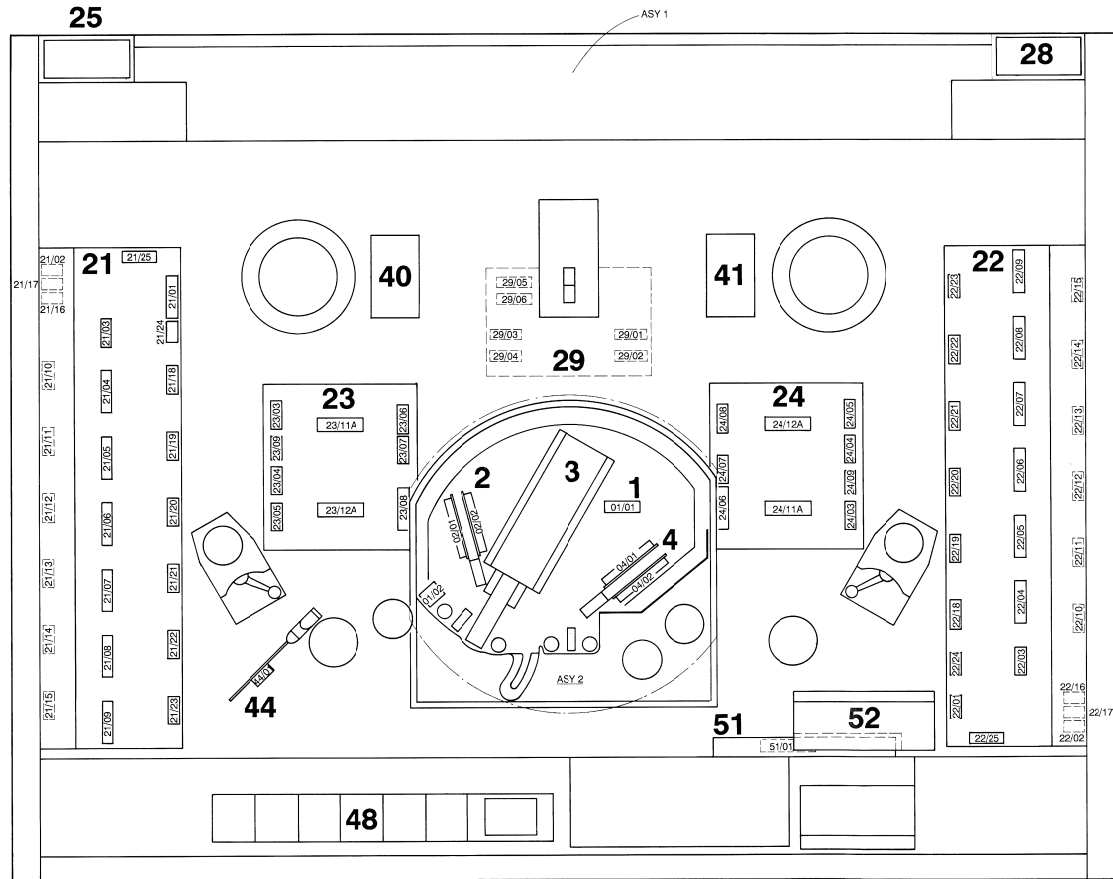
Signal Statistics

Auflistung aller Signale, welche in der Maschine vorhanden sind.

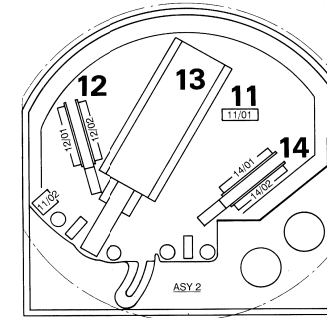
* STUDER REVOX AG * S I G N A L S T A T I S T I C S * 91/02/19 * 11:24 * P A G E 584 *

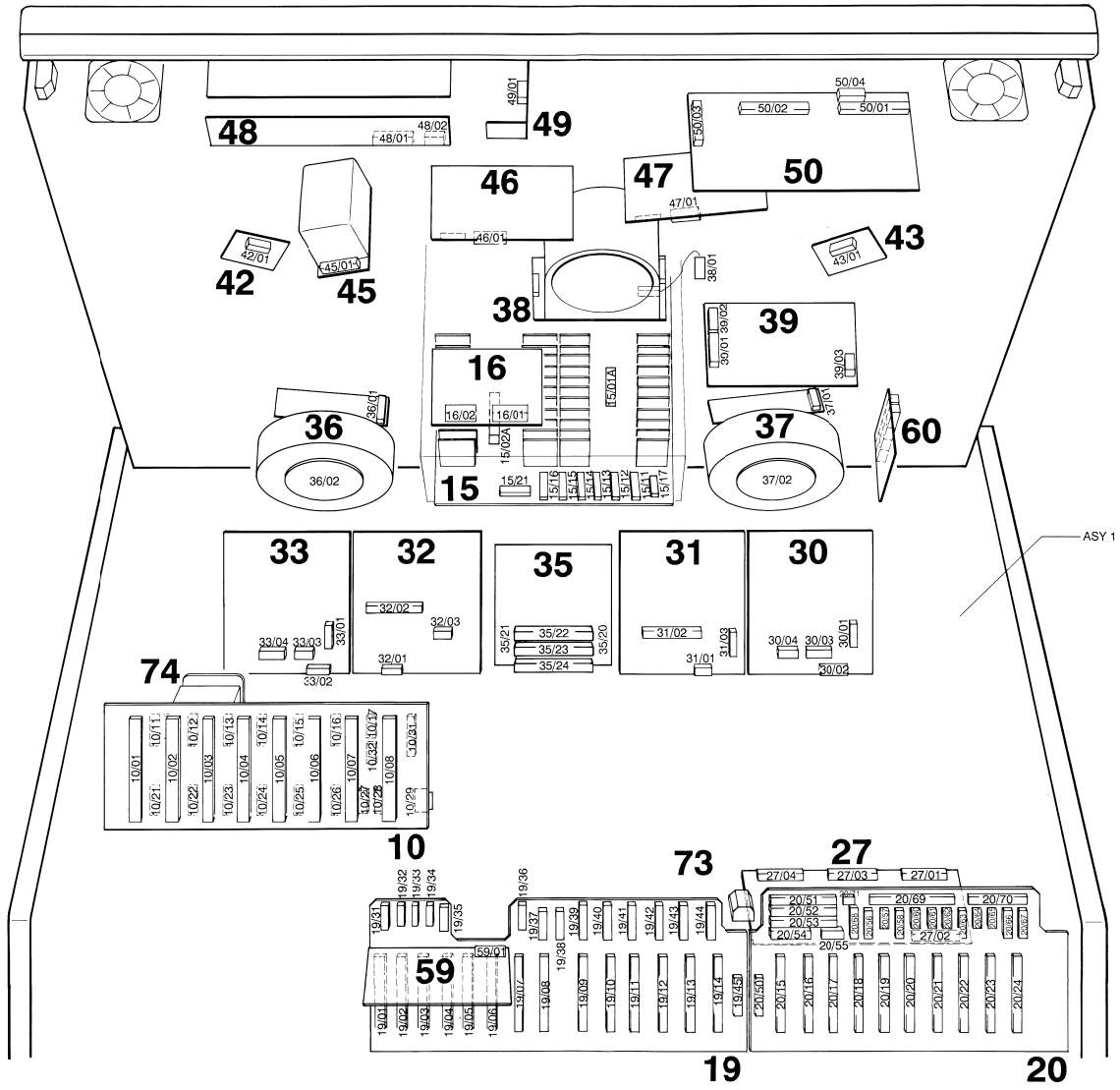
 * 1.862.010.00 D820-48 PCM TAPE - RECORDER * 90/03/21 - 00 *

SIG.NR	SIGNAL NAME	OCCUR- RENCE	COLOR	SPECIAL * * < @	*-NODE ASY GRP	SIG.NR	SIGNAL NAME	OCCUR- RENCE	COLOR	SPECIAL * * < @	*-NODE ASY GRP
000644	D-FEEDT1	2				000698	DA-OUT26	4			
000645	D-FEEDT2	2				000699	DA-OUT27	4			
000646	D-ILD0EQ	3				000700	DA-OUT28	4			
000647	D-ILD0PB	3				000701	DA-OUT29	4			
000648	D-ILD0R	8				000702	DA-OUT30	4			
000649	D-ILD0WR	8				000703	DA-OUT31	4			
000650	D-ILD1PR	3				000704	DA-OUT32	4			
000651	D-ILD1SR	2				000705	DA-OUT33	4			
000652	D-ILD2ER	2				000706	DA-OUT34	4			
000653	D-IMSAFE	4				000707	DA-OUT35	4			
000654	D-IREC	4				000708	DA-OUT36	4			
000655	D-ISCLK	4				000709	DA-OUT37	4			
000656	D-LD1PR	1				000710	DA-OUT38	4			
000657	D-LEVLC1	2				000711	DA-OUT39	4			
000658	D-LEVLC2	2				000712	DA-OUT40	4			
000659	D-MESOUT	8				000713	DA-OUT41	4			
000660	D-MSAFE	4				000714	DA-OUT42	4			
000661	D-PBDATA	11				000715	DA-OUT43	4			
000662	D-PW/AC1	2				000716	DA-OUT44	4			
000663	D-PW/AC2	2				000717	DA-OUT45	4			
000664	D-REC	4				000718	DA-OUT46	4			
000665	D-SAFE	16				000719	DA-OUT47	4			
000666	D-SCLK	4				000720	DA-OUT48	4			
000667	D-SCLK-R	8				000721	DAIOUT01	4			
000668	D-SCLKEQ	3				000722	DAIOUT02	4			
000669	D-SCLKPB	3				000723	DAIOUT03	4			
000670	D-SCLKHR	10				000724	DAIOUT04	4			
000671	D-TESTC1	2				000725	DAIOUT05	4			
000672	D-TESTC2	2				000726	DAIOUT06	4			
000673	DA-OUT01	4				000727	DAIOUT07	4			
000674	DA-OUT02	4				000728	DAIOUT08	4			
000675	DA-OUT03	4				000729	DAIOUT09	4			
000676	DA-OUT04	4				000730	DAIOUT10	4			
000677	DA-OUT05	4				000731	DAIOUT11	4			
000678	DA-OUT06	4				000732	DAIOUT12	4			
000679	DA-OUT07	4				000733	DAIOUT13	4			
000680	DA-OUT08	4				000734	DAIOUT14	4			
000681	DA-OUT09	4				000735	DAIOUT15	4			
000682	DA-OUT10	4				000736	DAIOUT16	4			
000683	DA-OUT11	4				000737	DAIOUT17	4			
000684	DA-OUT12	4				000738	DAIOUT18	4			
000685	DA-OUT13	4				000739	DAIOUT19	4			
000686	DA-OUT14	4				000740	DAIOUT20	4			
000687	DA-OUT15	4				000741	DAIOUT21	4			
000688	DA-OUT16	4				000742	DAIOUT22	4			
000689	DA-OUT17	4				000743	DAIOUT23	4			
000690	DA-OUT18	4				000744	DAIOUT24	4			
000691	DA-OUT19	4				000745	DAIOUT25	4			
000692	DA-OUT20	4				000746	DAIOUT26	4			
000693	DA-OUT21	4				000747	DAIOUT27	4			
000694	DA-OUT22	4				000748	DAIOUT28	4			
000695	DA-OUT23	4				000749	DAIOUT29	4			
000696	DA-OUT24	4				000750	DAIOUT30	4			
000697	DA-OUT25	4				000751	DAIOUT31	4			



GROUP SURVEY, HEAD 24 TRACKS



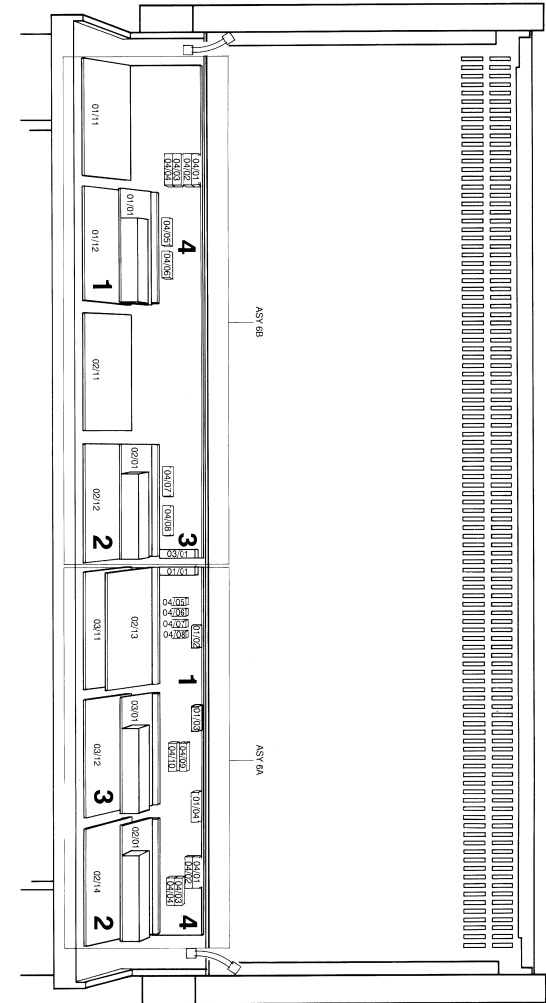
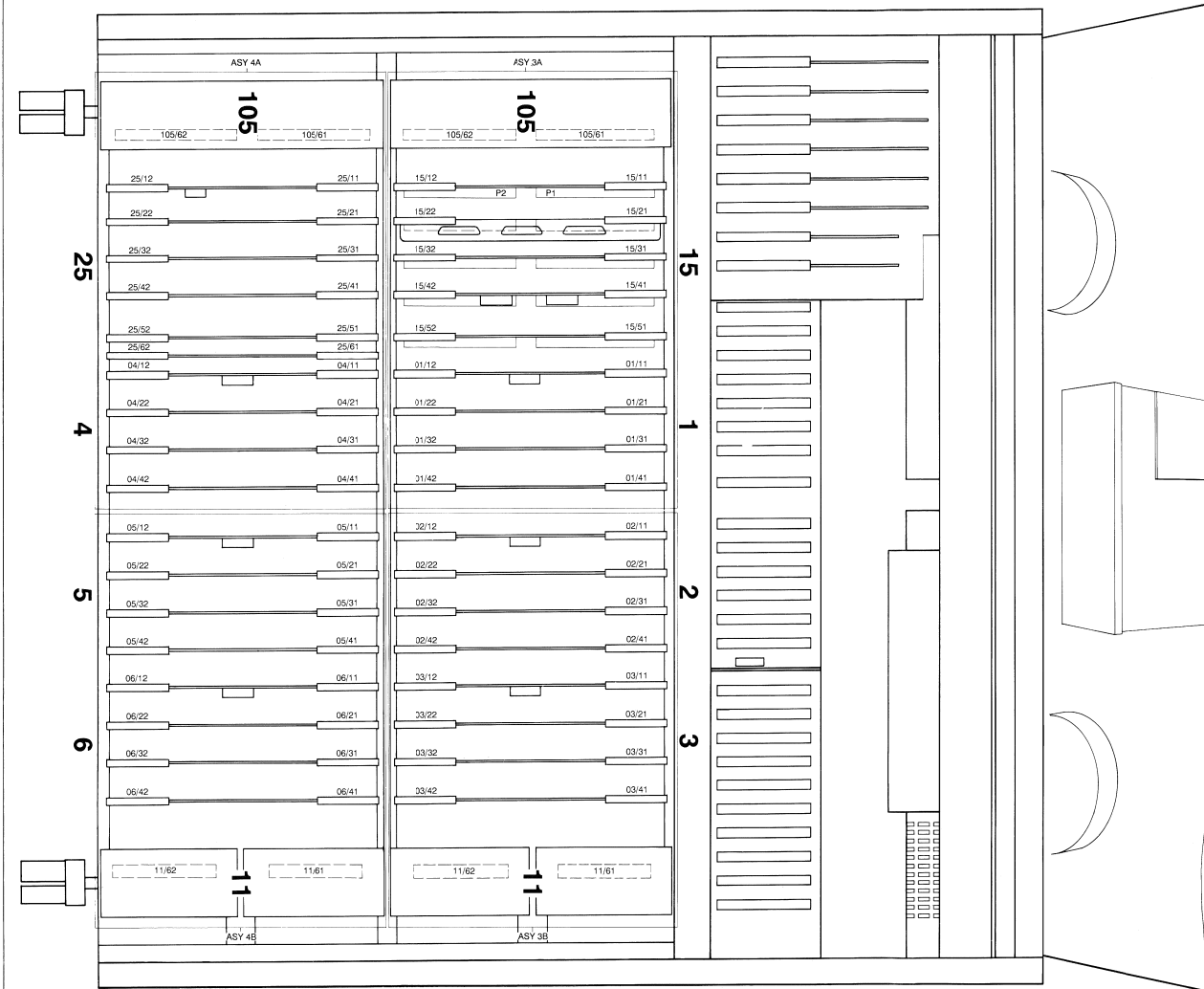


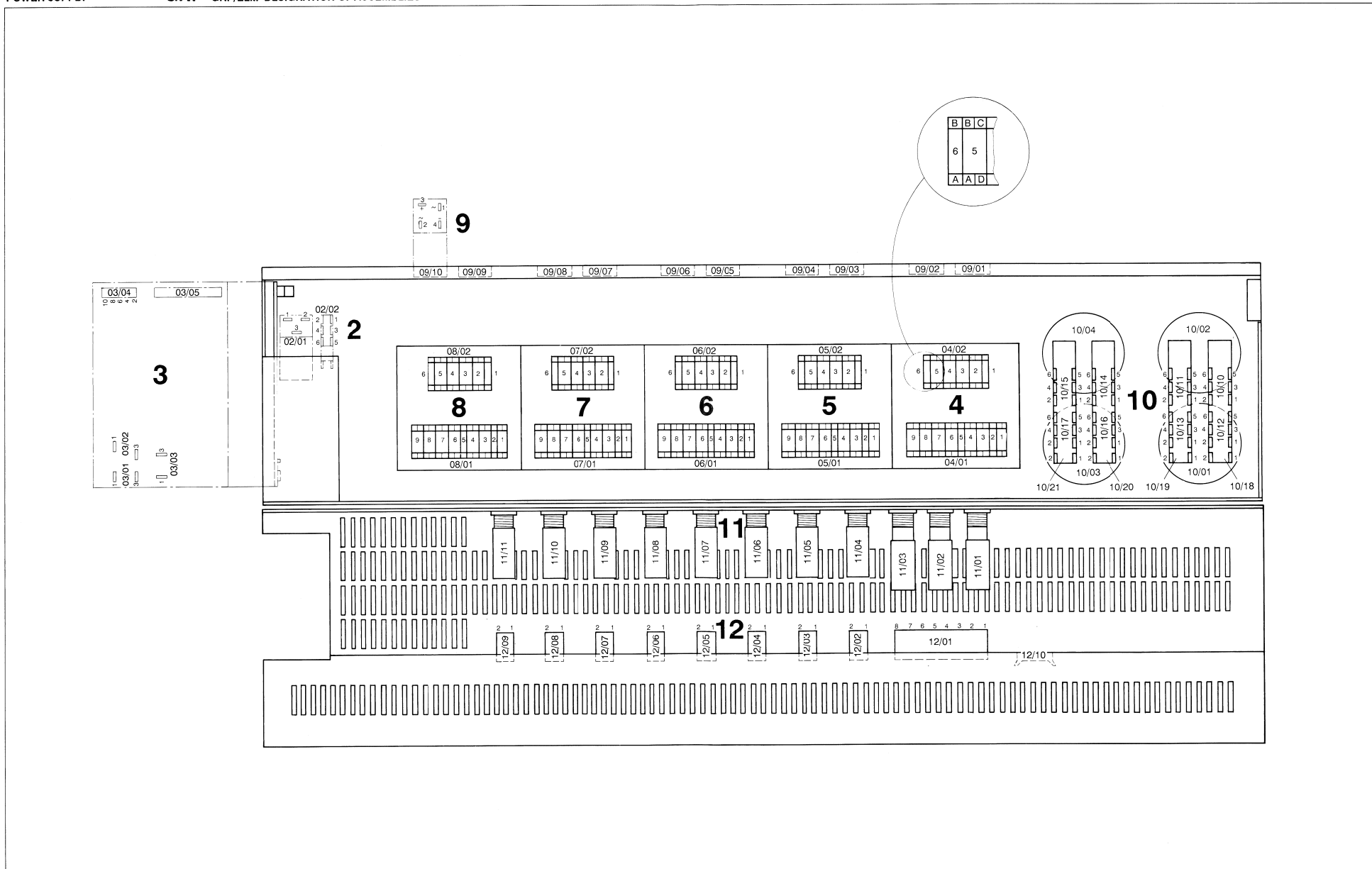
GROUP SURVEY, PCM RACK

GRP GRP/ELM DESIGNATION OF ASSEMBLIES

GROUP SURVEY, PANEL

GRP GRP/ELM DESIGNATION OF ASSEMBLIES





STUDER D820 MCH

 * STUDER REVOX AG * G R O U P S U M M A R Y * 91/02/19 * 11:24 * P A G E 3 *

 * 1.862.010.00 D820-48 PCM TAPE - RECORDER * 90/03/21 - 00 *

ASY	GRP	PART NUMBER	DESCRIPTION	UNUSED PINS	USED PINS	TOT.PINS	MULT.PINS	COD.KEYS	TOT.ELM	REM
1	1		CONNECTIONS PANEL LEFT	7	172	179	0	0	11	
1	2		CONNECTIONS PANEL RIGHT	0	128	128	0	0	8	
1	10	1.862.703.00	BASIS BOARD EQUALIZER	243	713	956	0	0	26	
1	15	1.862.710.00	REP. PREAMP. 48CH(1.862.711.00 24CH)	58	428	486	0	0	16	
1	16	1.862.743.00	PREAMPLIFIER SUPPLY	0	9	9	0	0	2	
1	19	1.862.704.00	BASIS BOARD AUDIO CONTROLLER	428	790	1218	0	0	29	
1	20	1.862.701.00	BASIS BOARD TAPE DECK	97	749	846	0	6	32	
1	21	1.862.712.00	RECORD AMPLIFIER PRIMARY RECORD	10	424	434	0	0	25	
1	22	1.862.712.00	RECORD AMPLIFIER SYNC RECORD	0	0	0	0	0	0	
1	23	1.862.741.00	JUNCT-B PRIM 48CH(1.862.754.00 24CH)	56	426	482	0	0	15	
1	24	1.862.751.00	JUNCT-B SYNC 48CH(1.862.75X.00 24CH)	0	0	0	0	0	0	
1	25		REMOTE CONTROL PANEL	0	57	57	0	0	3	
1	27	1.820.738.00	PARALLEL CONTROL INTERFACE	3	160	163	0	0	7	
1	28	1.862.000.00	SERBUS CONNECTOR PANEL BOX	0	10	10	0	0	1	
1	29	1.820.869.00	POWER FAIL SENSE BOARD	0	40	40	0	0	6	
1	30	1.820.875.00	SPOOLING MOTOR DRIVE AMPLIFIER RIGHT	1	23	24	0	0	4	
1	31	1.820.873.00	SWITCHING STAB. +15.0 / -15.0	2	20	22	0	0	3	
1	32	1.820.872.00	SWITCHING STABILIZER +5.6	1	21	22	0	0	3	
1	33	1.820.875.00	SPOOLING MOTOR DRIVE AMPLIFIER LEFT	1	23	24	0	0	4	
1	34		GROUND CONNECTION	0	1	1	0	0	1	
1	35	1.862.744.00	DISTRIBUTION BOARD TAPE DECK	21	297	318	0	0	46	
1	36	1.820.192.00	SPOOLING MOTOR ASSEMBLY, LEFT	1	11	12	0	0	2	
1	37	1.820.192.00	SPOOLING MOTOR ASSEMBLY, RIGHT	1	11	12	0	0	2	
1	38	1.021.695.00	CAPSTAN MOTOR (ELECTRONICS BOARD)	13	15	28	0	0	5	
1	39	1.820.774.00	CAPSTAN MOTOR DRIVE AMPLIFIER	4	30	34	0	0	3	
1	40	1.080.230.00	BRAKE ASSEMBLY, LEFT	1	2	3	0	0	1	
1	41	1.080.240.00	BRAKE ASSEMBLY, RIGHT	1	2	3	0	0	1	
1	42	1.820.772.00	TAPE TENSION SENSOR, LEFT	3	7	10	0	0	1	
1	43	1.820.772.00	TAPE TENSION SENSOR, RIGHT	3	7	10	0	0	1	
1	44	1.820.795.00	OPTO + EXTENDED SENSORS	0	10	10	0	0	1	
1	45	1.820.770.00	MOVE SENSOR	1	9	10	0	0	1	
1	46	1.820.773.00	TAPE LIFTER CONTROL, LEFT	5	11	16	0	0	1	
1	47	1.820.773.00	TAPE LIFTER CONTROL, RIGHT	5	11	16	0	0	1	
1	48	1.820.240.00	PUSHBUTTON ASSEMBLY	4	42	46	0	0	3	
1	49	1.820.250.00	EDIT ASSEMBLY	1	14	15	0	0	2	
1	50	1.820.768.00	TAPE DECK DISPLAY DRIVER	0	80	80	0	0	2	
1	51	1.820.767.00	COMMAND UNIT	1	39	40	0	0	1	
1	52	1.820.239.00	LCD DISPLAY BOARD	0	16	16	0	0	1	
1	59	1.820.866.00	FUSE/SUPPLY FAILURE DETECTOR	1	15	16	0	0	1	
1	60	1.820.831.00	PINCH ROLLER GATE	16	76	92	0	0	8	
1	69	1.862.560.00	FAN UNIT PCM BOX	0	2	2	0	0	1	
1	73		FAN + MECH. ELASPED TIMER UNIT	0	8	8	0	0	3	
1	74		FAN UNIT EQUALIZER	0	2	2	0	0	1	
2	1	1.050.494.00	ERASE HEAD AUX TRACKS 48 CH	2	16	18	0	0	2	
2	2	1.050.490.00	RECORD HEAD PRIMARY RECORD 48 CH	16	104	120	0	0	2	
2	3	1.050.491.00	REPRODUCE HEAD 48 CH	16	104	120	0	0	2	
2	4	1.050.490.00	RECORD HEAD SYNC RECORD 48 CH	16	104	120	0	0	2	
2	11	1.050.494.00	ERASE HEAD AUX TRACKS 24 CH	2	16	18	0	0	2	
2	12	1.050.492.00	RECORD HEAD PRIMARY RECORD 24 CH	12	56	68	0	0	2	
2	13	1.050.493.00	REPRODUCE HEAD 24 CH	12	56	68	0	0	2	

 * STUDER REVOX AG * G R O U P S U M M A R Y * 91/02/19 * 11:24 * P A G E 4 *

 * 1.862.010.00 D820-48 PCM TAPE - RECORDER * 90/03/21 - 00 *

ASY	GRP	PART NUMBER	DESCRIPTION	UNUSED PINS	USED PINS	TOT.PINS	MULT.PINS	COD.KEYS	TOT.ELM	REM
2	14	1.050.492.00	RECORD HEAD SYNC RECORD 24 CH	12	56	68	0	0	2	
3A	1		AUDIO GROUP 1	252	516	768	0	0	24	
3A	1S		SPECIAL GROUP 1	380	580	960	0	0	30	
3A	10S		FLATCABLE CONNECTIONS + POWER TERM.	303	311	614	0	0	51	
3A	11		FLATCABLE CONNECTIONS + POWER TERM.	74	137	211	0	0	15	
3B	2		AUDIO GROUP 2	252	516	768	0	0	24	
3B	3		AUDIO GROUP 3	304	560	864	0	0	27	
3B	10		FLATCABLE CONNECTIONS + POWER TERM.	22	146	168	0	0	15	
3B	11		FLATCABLE CONNECTIONS + POWER TERM.	160	198	358	0	0	31	
4A	2S		SPECIAL GROUP 2	409	743	1152	0	0	36	
4A	4		AUDIO GROUP 4	252	516	768	0	0	24	
4A	10S		FLATCABLE CONNECTIONS + POWER TERM.	313	397	710	0	0	52	
4A	11		FLATCABLE CONNECTIONS + POWER TERM.	62	129	191	0	0	14	
4B	5		AUDIO GROUP 5	252	516	768	0	0	24	
4B	6		AUDIO GROUP 6	304	560	864	0	0	27	
4B	10		FLATCABLE CONNECTIONS + POWER TERM.	22	146	168	0	0	15	
4B	11		FLATCABLE CONNECTIONS + POWER TERM.	160	198	358	0	0	31	
5A	1		ANALOG AUDIO IN/OUT A-GR.1/CH 1- 8	39	118	157	0	0	10	
5A	2		ANALOG AUDIO IN/OUT A-GR.2/CH 9-16	39	118	157	0	0	10	
5A	3		ANALOG AUDIO IN/OUT A-GR.3/CH 17-24	39	118	157	0	0	10	
5A	4		ANALOG AUDIO IN/OUT A-GR.4/CH 25-32	39	118	157	0	0	10	
5A	5		ANALOG AUDIO IN/OUT A-GR.5/CH 33-40	39	118	157	0	0	10	
5A	6		ANALOG AUDIO IN/OUT A-GR.6/CH 41-48	39	118	157	0	0	10	
5B	1		DIGITAL AUDIO IN/OUT SDIF CH 1-24	156	192	348	0	0	10	
5B	2		DIGITAL AUDIO IN/OUT SDIF CH 25-48	156	192	348	0	0	10	
5C	1		DIGITAL AUDIO IN/OUT AES/EBU	6	12	18	0	0	3	
5C	2		DIGITAL AUDIO IN/OUT MADI	0	8	8	0	0	4	
5C	3		REFERENCE TRACK & TIME CODE IN/OUT	2	34	36	0	0	9	
5C	4		CUE 1+2 IN/OUT	0	32	32	0	0	5	
5C	5		CLOCK IN/OUT	0	34	34	0	0	10	
5C	6		REMBUS	0	28	28	0	0	3	
5C	7		LEVEL DISPLAY	3	16	19	0	0	2	
5C	8		MASTER TALLIES	4	15	19	0	0	2	
5C	9		ES-BUS/RS232	4	24	28	0	0	3	
5C	10		POWER SUPPLY	0	12	12	0	0	7	
5D	1		LEFT PANEL	15	166	181	0	0	13	
5D	2		RIGHT PANEL	50	130	180	0	0	11	
6A	1		CONNECTORS	45	50	95	0	0	5	
6A	2		AUXILIARY KEYS AND MICROPROCESSOR	86	202	288	0	0	9	
6A	3		CHANNEL KEYS + LEV A-GR.5, 6	99	189	288	0	0	9	
6A	4		BUS TERMINATION	2	46	48	0	0	10	

 * STUDER REVOX AG * G R O U P S U M M A R Y * 91/02/19 * 11:24 * P A G E 5 *

 * 1.862.010.00 D820-48 PCM TAPE - RECORDER * 90/03/21 - 00 *

ASY	GRP	PART NUMBER	DESCRIPTION	UNUSED PINS	USED PINS	TOT.PINS	MULT.PINS	COD.KEYS	TOT.ELM	REM
6B	1		CHANNEL KEYS + LEV A-GR.1, 2	99	189	288	0	0	9	
6B	2		CHANNEL KEYS + LEV A-GR.3, 4	99	189	288	0	0	9	
6B	3		CONNECTORS	2	38	40	0	0	1	
6B	4		BUS TERMINATION	2	42	44	0	0	8	
7	1	1.862.635.00	MAINS SWITCH ASSEMBLY	3	15	18	0	0	5	
7	2	54.42.0026	POWER INPUT	5	4	9	0	0	2	
7	3	1.820.830.00	SOFT START UNIT	10	17	27	0	0	5	
7	4	1.862.625.00	MAINS TRANSFORMER	36	16	52	0	0	2	
7	5	1.862.625.00	MAINS TRANSFORMER	36	16	52	0	0	2	
7	6	1.862.625.00	MAINS TRANSFORMER	36	16	52	0	0	2	
7	7	1.862.625.00	MAINS TRANSFORMER	36	16	52	0	0	2	
7	8	1.862.625.00	MAINS TRANSFORMER	36	16	52	0	0	2	
7	9	70.01.0232	RECTIFIERS 10 * 200V / 35A	0	40	40	0	0	10	
7	10	59.07.0004	CAPACITORS 4 * 68000 UF / 63V	3	17	20	0	0	7	
7	11	53.03.0121	FUSE HOLDERS	0	22	22	0	0	11	
7	12		OUTPUT CONNECTORS	8	26	34	0	0	10	
DISTRIBUTED IN 107 GRP TOTAL :				5871	14361	20232	0	8	1013	

 * STUDER REVOX AG * E L E M E N T S U M M A R Y * 91/02/19 * 11:24 * P A G E 6 *

 * 1.862.010.00 D820-48 PCM TAPE - RECORDER * 90/03/21 - 00 *

GRP	ELM	PART NUMBER	DESCRIPTION	UNUSED PINS	USED PINS	TOT.PINS	MULT.PINS	COD.KEYS	REMARK
1	1		AUDIO DATA OUTPUT, CH 01 TO 08	J01	0	16	16	0	0
1	2		AUDIO DATA INPUT, CH 01 TO 08	J02	0	16	16	0	0
1	3		AUDIO DATA OUTPUT, CH 25 TO 32	J03	0	16	16	0	0
1	4		AUDIO DATA INPUT, CH 25 TO 32	J04	0	16	16	0	0
1	5		DATA CUE1 + CUE2	J05	2	8	10	0	0
1	6		SSDA TD CONTROL CONNECTOR	J06	0	10	10	0	0
1	7		ANALOG CUE1 + CUE2	J07	3	6	9	0	0
1	8		DATA RT + TC	J08	2	8	10	0	0
1	9		SERBUS AUDIO CONTROL CONNECTOR	J09	0	10	10	0	0
1	10		CLOCK CONNECTOR	J10	0	26	26	0	0
1	11		TDC BUS CONNECTOR	J11	0	40	40	0	0
2	1		AUDIO DATA OUTPUT, CH 09 TO 16	J01	0	16	16	0	0
2	2		AUDIO DATA INPUT, CH 09 TO 16	J02	0	16	16	0	0
2	3		AUDIO DATA OUTPUT, CH 17 TO 24	J03	0	16	16	0	0
2	4		AUDIO DATA INPUT, CH 17 TO 24	J04	0	16	16	0	0
2	5		AUDIO DATA OUTPUT, CH 33 TO 40	J05	0	16	16	0	0
2	6		AUDIO DATA INPUT, CH 33 TO 40	J06	0	16	16	0	0
2	7		AUDIO DATA OUTPUT, CH 41 TO 48	J07	0	16	16	0	0
2	8		AUDIO DATA INPUT, CH 41 TO 48	J08	0	16	16	0	0
10	1	1.862.721.00	EQUALIZER CH 1 TO CH 8	J01	34	62	96	0	0
10	2	1.862.721.00	EQUALIZER CH 9 TO CH 16	J02	34	62	96	0	0
10	3	1.862.721.00	EQUALIZER CH 17 TO CH 24	J03	34	62	96	0	0
10	4	1.862.721.00	EQUALIZER CH 25 TO CH 32	J04	34	62	96	0	0
10	5	1.862.721.00	EQUALIZER CH 33 TO CH 40	J05	34	62	96	0	0
10	6	1.862.721.00	EQUALIZER CH 41 TO CH 48	J06	34	62	96	0	0
10	7	1.862.722.00	READ UNIT RT/TC	J07	17	47	64	0	0
10	8	1.862.723.00	READ UNIT CUE TRACKS	J08	9	55	64	0	0
10	11	54.14.2002	INPUT EQUALIZER CH 1 TO CH 8	P11	0	16	16	0	0
10	12	54.14.2002	INPUT EQUALIZER CH 9 TO CH 16	P12	0	16	16	0	0
10	13	54.14.2002	INPUT EQUALIZER CH 17 TO CH 24	P13	0	16	16	0	0
10	14	54.14.2002	INPUT EQUALIZER CH 25 TO CH 32	P14	0	16	16	0	0
10	15	54.14.2002	INPUT EQUALIZER CH 33 TO CH 40	P15	0	16	16	0	0
10	16	54.14.2002	INPUT EQUALIZER CH 41 TO CH 48	P16	0	16	16	0	0
10	17	54.14.2001	INPUT AUX TRACKS	P17	2	8	10	0	0
10	21	54.14.2002	AUDIO DATA OUTPUT, CH 01 TO 08	P21	0	16	16	0	0
10	22	54.14.2002	AUDIO DATA OUTPUT, CH 09 TO 16	P22	0	16	16	0	0
10	23	54.14.2002	AUDIO DATA OUTPUT, CH 17 TO 24	P23	0	16	16	0	0
10	24	54.14.2002	AUDIO DATA OUTPUT, CH 25 TO 32	P24	0	16	16	0	0
10	25	54.14.2002	AUDIO DATA OUTPUT, CH 33 TO 40	P25	0	16	16	0	0
10	26	54.14.2002	AUDIO DATA OUTPUT, CH 41 TO 48	P26	0	16	16	0	0
10	27	54.14.2001	AUX OUT	P27	6	4	10	0	0
10	28	54.14.2001	DATA CUE1 + CUE2	P28	2	8	10	0	0
10	29	54.13.0001	OUTPUT ANALOG CUE 1+2	P29	3	6	9	0	0
10	31	54.25.0005	SUPPLY CONNECTOR	P31	0	5	5	0	0
10	32	54.14.2002	EQUALIZER CONTROL	P32	0	16	16	0	0
15	1		HEAD CONNECTOR 1 (JAE) (48 CH)	P01	8	52	60	0	0
15	1A		PRINT CONNECTOR 1 (48 CH)		8	52	60	0	0

STUDER D820 MCH

 * STUDER REVOK AG * E L E M E N T S U M M A R Y * 91/02/19 * 11:24 * P A G E 7 *

 * 1.862.010.00 D820-48 PCM TAPE - RECORDER * 90/03/21 - 00 *

 ASY 1 1.862.100.00 TAPE DECK PCM - MCH <-- <-- <-- CONTINUATION

GRP	ELM	PART NUMBER	DESCRIPTION	UNUSED PINS	USED PINS	TOT.PINS	MULT.PINS	COD.KEYS	REMARK
15	2		HEAD CONNECTOR 2 (JAE) (48 CH)	J02	8	52	60	0	0
15	2A		PRINT CONNECTOR 2 (48 CH)		8	52	60	0	0
15	3		HEAD CONNECTOR 1 (24 CH)	P01	6	28	34	0	0
15	3A		PRINT CONNECTOR 1 (24 CH)		6	28	34	0	0
15	4		HEAD CONNECTOR 2 (24 CH)	P02	6	28	34	0	0
15	4A		PRINT CONNECTOR 2 (24 CH)		6	28	34	0	0
15	11		OUTPUT PREAMP. CH 1 TO CH 8	P11	0	16	16	0	0
15	12		OUTPUT PREAMP. CH 9 TO CH 16	P12	0	16	16	0	0
15	13		OUTPUT PREAMP. CH 17 TO CH 24	P13	0	16	16	0	0
15	14		OUTPUT PREAMP. CH 25 TO CH 32	P14	0	16	16	0	0
15	15		OUTPUT PREAMP. CH 33 TO CH 40	P15	0	16	16	0	0
15	16		OUTPUT PREAMP. CH 41 TO CH 48	P16	0	16	16	0	0
15	17	54.14.2001	OUTPUT AUX TRACKS	P17	2	8	10	0	0
15	21	54.25.0004	SUPPLY CONNECTOR	P21	0	4	4	0	0
16	1	54.25.0004	FROM GRP 35, ELM 64	P01	0	5	5	0	0
16	2	54.25.0004	TO GRP 15, ELM 21	P02	0	4	4	0	0
19	1		RESERVE	J01	53	11	64	0	0
19	2		RESERVE	J02	53	11	64	0	0
19	3	1.862.720.00	REPRODUCE CONTROLLER	J03	26	38	64	0	0
19	4	1.862.718.00	RECORD CONTROLLER	J04	23	41	64	0	0
19	5	1.862.717.00	ERASE CURRENT DRIVER	J05	38	26	64	0	0
19	6	1.862.716.00	CURRENT DRIVER (RT,TC,CUE 1/2)	J06	18	46	64	0	0
19	7	1.862.719.00	RECORD CURRENT SUPPLY (+VREC)	J07	47	48	95	0	0
19	8	1.862.719.00	RECORD CURRENT SUPPLY (-VREC)	J08	47	48	95	0	0
19	9	1.862.716.00	RECORD CURRENT DRIVER CH 1..8	J09	18	46	64	0	0
19	10	1.862.716.00	RECORD CURRENT DRIVER CH 9..16	J10	18	46	64	0	0
19	11	1.862.716.00	RECORD CURRENT DRIVER CH 17..24	J11	18	46	64	0	0
19	12	1.862.716.00	RECORD CURRENT DRIVER CH 25..32	J12	18	46	64	0	0
19	13	1.862.716.00	RECORD CURRENT DRIVER CH 33..40	J13	18	46	64	0	0
19	14	1.862.716.00	RECORD CURRENT DRIVER CH 41..48	J14	18	46	64	0	0
19	31	54.14.2002	EQUALIZER CONTROL	P31	0	16	16	0	0
19	32	54.14.2001	SERBUS AUDIO CONTROL CONNECTOR	P32	0	10	10	0	0
19	33	54.14.2001	CONTROL PRIMARY REC. AMPLIFIER	P33	2	8	10	0	0
19	34	54.14.2001	CONTROL SYNC REC. AMPLIFIER	P34	2	8	10	0	0
19	35		ERASE HEAD	P35	1	8	9	0	0
19	36	54.14.2002	RECORD CURRENT RT/TC/CUE	P36	4	12	16	0	0
19	37	54.25.0004	OUTPUT RECORD CURRENT SUPPLY	P37	0	4	4	0	0
19	38	54.25.0003	INPUT RECORD CURRENT SUPPLY	P38	1	2	3	0	0
19	39	54.14.2003	RECORD CURRENT CH 1..8	P39	0	26	26	0	0
19	40	54.14.2003	RECORD CURRENT CH 9..16	P40	0	26	26	0	0
19	41	54.14.2003	RECORD CURRENT CH 17..24	P41	0	26	26	0	0
19	42	54.14.2003	RECORD CURRENT CH 25..32	P42	0	26	26	0	0
19	43	54.14.2003	RECORD CURRENT CH 33..40	P43	0	26	26	0	0
19	44	54.14.2003	RECORD CURRENT CH 41..48	P44	0	26	26	0	0
19	45	54.14.2003	CONNECTOR TO TAPE DECK BASIS B.	P45	5	21	26	0	0
20	15	1.862.715.00	CONVERTER RS422/TTL	J15	2	62	64	0	0
20	16	1.862.714.00	CAPSTAN PHASE CONTROL BOARD	J16	20	44	64	0	0

 * STUDER REVOK AG * E L E M E N T S U M M A R Y * 91/02/19 * 11:24 * P A G E 8 *

 * 1.862.010.00 D820-48 PCM TAPE - RECORDER * 90/03/21 - 00 *

 ASY 1 1.862.100.00 TAPE DECK PCM - MCH <-- <-- <-- CONTINUATION

GRP	ELM	PART NUMBER	DESCRIPTION	UNUSED PINS	USED PINS	TOT.PINS	MULT.PINS	COD.KEYS	REMARK
20	17	1.820.764.00	CAPSTAN CONTROL UNIT	J17	3	35	38	0	1
20	18	1.820.727.00	CAPSTAN INTERFACE	J18	7	57	64	0	0
20	19	1.820.762.00	TAPE DECK PERIPHERY CONTR.	J19	10	54	64	0	0
20	20	1.820.823.00	TAPE DECK COUNTER / TIMER	J20	4	34	38	0	1
20	21	1.820.763.00	TAPE DECK SERIAL INTERFACE	J21	0	38	38	0	1
20	22	1.820.781.00	MP-UNIT TD CONTROL MCH	J22	2	36	38	0	1
20	23	1.820.822.00	SPOOLING MOTOR CONTROLLER	J23	13	25	38	0	1
20	24	1.820.759.00	SPOOLING MOTOR DRIVER	J24	9	29	38	0	1
20	50	54.14.2003	CONNECTOR TO AUDIO CTR. BASIS B.	P50	5	21	26	0	0
20	51	54.14.2004	TO DISPLAY DRIVER	P51	0	40	40	0	0
20	52	54.14.2004	MASTER PARALLEL IF	P52	0	40	40	0	0
20	53	54.14.2004	CONNECTOR REMOTE CTR IF	P53	0	40	40	0	0
20	54	54.14.2003	CLOCK CONNECTOR	P54	0	26	26	0	0
20	55		SSDA TD CONTROL CONNECTOR	P55	0	10	10	0	0
20	56		CAPSTAN M. DRIVE AMPLIFIER	P56	0	16	16	0	0
20	57		EXT. SENSOR	P57	0	10	10	0	0
20	58		TAPE LIFT MOTOR, RIGHT	P58	5	11	16	0	0
20	59		TAPE LIFT MOTOR, LEFT	P59	5	11	16	0	0
20	60		TACHO SENSOR SPOOLING M. RIGHT	P60	1	9	10	0	0
20	61		MOVE SENSOR	P61	1	9	10	0	0
20	62		TACHO SENSOR SPOOLING M. LEFT	P62	1	9	10	0	0
20	63		FUSE FAILURE DETECTOR	P63	1	15	16	0	0
20	64		TAPE TENSION SENSOR, RIGHT	P64	3	7	10	0	0
20	65		TAPE TENSION SENSOR, LEFT	P65	3	7	10	0	0
20	66		TO POWER FAIL SENSE BOARD	P66	0	16	16	0	0
20	67		SPOOLING M. DRIVE AMP. LEFT	P67	0	16	16	0	0
20	68		BRAKE SOLENOIDS	J68	0	4	4	0	0
20	69		DC STABILIZERS	J69	0	10	10	0	0
20	70		DC POWER SUPPLY	J70	0	6	6	0	0
20	71	54.99.0213	TO MECHANICAL ELAPSED TIMER		2	2	4	0	0
21	1		CLOCK CONNECTOR	P01	0	26	26	0	0
21	2	54.14.2001	RECORD AMPLIFIER CONTROL	P02	2	8	10	0	0
21	3	54.14.2002	RECORD CURRENT RT/TC/CUE	P03	4	12	16	0	0
21	4	54.14.2003	RECORD CURRENT CH 1..8	P04	0	26	26	0	0
21	5	54.14.2003	RECORD CURRENT CH 9..16	P05	0	26	26	0	0
21	6	54.14.2003	RECORD CURRENT CH 17..24	P06	0	26	26	0	0
21	7	54.14.2003	RECORD CURRENT CH 25..32	P07	0	26	26	0	0
21	8	54.14.2003	RECORD CURRENT CH 33..40	P08	0	26	26	0	0
21	9	54.14.2003	RECORD CURRENT CH 41..48	P09	0	26	26	0	0
21	10		AUDIO DATA INPUT, CH 01 TO 08	P10	0	16	16	0	0
21	11		AUDIO DATA INPUT, CH 09 TO 16	P11	0	16	16	0	0
21	12		AUDIO DATA INPUT, CH 17 TO 24	P12	0	16	16	0	0
21	13		AUDIO DATA INPUT, CH 25 TO 32	P13	0	16	16	0	0
21	14		AUDIO DATA INPUT, CH 33 TO 40	P14	0	16	16	0	0
21	15		AUDIO DATA INPUT, CH 41 TO 48	P15	0	16	16	0	0
21	16		DATA RT + TC	P16	2	8	10	0	0
21	17		DATA CUE1 + CUE2	P17	2	8	10	0	0
21	18	54.14.2002		P18	0	16	16	0	0
21	19	54.14.2002		P19	0	16	16	0	0

 * STUDER REVOX AG * E L E M E N T S U M M A R Y * 91/02/19 * 11:24 * PAGE 9 *
 * 1.862.010.00 D820-48 PCM TAPE - RECORDER * 90/03/21 - 00 *
 ASY 1 1.862.100.00 TAPE DECK PCM - MCH <-- <-- <-- CONTINUATION

GRP	ELM	PART NUMBER	DESCRIPTION	UNUSED PINS	USED PINS	TOT.PINS	MULT.PINS	COD.KEYS	REMARK
21	20	54.14.2002	P20	0	16	16	0	0	
21	21	54.14.2002	P21	0	16	16	0	0	
21	22	54.14.2002	P22	0	16	16	0	0	
21	23	54.14.2002	P23	0	16	16	0	0	
21	24	54.14.2001	P24	0	10	10	0	0	
21	25	54.25.0004	P25	0	4	4	0	0	
22				0	0	0	0	0	
23	3	54.14.2002	P03	0	16	16	0	0	
23	4	54.14.2002	P04	0	16	16	0	0	
23	5	54.14.2002	P05	0	16	16	0	0	
23	6	54.14.2002	P06	0	16	16	0	0	
23	7	54.14.2002	P07	0	16	16	0	0	
23	8	54.14.2002	P08	0	16	16	0	0	
23	9	54.14.2001	P09	0	10	10	0	0	
23	11		RECORD HEAD CONNECTOR 1 48 CH	8	52	60	0	0	
23	11A		PRINT CONNECTOR 1 48 CH	8	52	60	0	0	
23	12		RECORD HEAD CONNECTOR 2 48 CH	8	52	60	0	0	
23	12A		PRINT CONNECTOR 2 48 CH	8	52	60	0	0	
23	21		RECORD HEAD CONNECTOR 1 24 CH	6	28	34	0	0	
23	21A		PRINT CONNECTOR 1 24 CH	6	28	34	0	0	
23	22		RECORD HEAD CONNECTOR 2 24 CH	6	28	34	0	0	
23	22A		PRINT CONNECTOR 2 24 CH	6	28	34	0	0	
24				0	0	0	0	0	
25	1		CONN. AUTOLOCATOR, REMOTE TIMER	J01	0	8	0	1	
25	2		CONNECTOR SYNCHRONIZER CONTROL	J02	0	25	0	0	
25	3		CONN. PARALLEL REMOTE CONTROL	J01	0	24	0	1	
27	1		TO GRP26, ELM01 (SERIAL REM. IF)	P01	0	26	0	0	
27	2		CONNECTOR REMOTE CTR IF	P27	0	40	0	0	
27	2A		CIRCUIT DIAGRAM SIGNAL NAMES	P27	0	40	0	0	
27	3		TO GRP25, ELM02 (SYNCHRONIZER)	P03	1	25	0	0	
27	4		TO CONN. PARALLEL REMOTE CONTR.	P04	1	25	0	0	
27	5		GROUND PIN	P05	0	1	0	0	
27	6		CONN. AUTOLOC - PARALLEL	P06	1	3	0	0	
28	1		SERBUS AUDIO CONTROL CONNECTOR	...	0	10	0	0	
29	1		FROM SP. M. DRIVE AMPL. RIGHT	J01	0	2	0	0	
29	2		TO SPOOLING MOTOR RIGHT	J02	0	2	0	0	
29	3		FROM SP. M. DRIVE AMPL. LEFT	J03	0	2	0	0	
29	4		TO SPOOLING MOTOR LEFT	J04	0	2	0	0	
29	5		FROM GRP20, ELM66 (BASIS B. TD)	P01	0	16	0	0	
29	6		TO SPOOLING M. DRIVE AMP. RIGHT	P02	0	16	0	0	
30	1		SUPPLY INPUT	J03	1	3	0	0	
30	2		FROM GRP29, ELM06	P01	0	16	0	0	

 * STUDER REVOX AG * E L E M E N T S U M M A R Y * 91/02/19 * 11:24 * PAGE 10 *
 * 1.862.010.00 D820-48 PCM TAPE - RECORDER * 90/03/21 - 00 *
 ASY 1 1.862.100.00 TAPE DECK PCM - MCH <-- <-- <-- CONTINUATION

GRP	ELM	PART NUMBER	DESCRIPTION	UNUSED PINS	USED PINS	TOT.PINS	MULT.PINS	COD.KEYS	REMARK
30	3		OUTPUT MOTOR RIGHT	J01	0	2	0	0	
30	4		(OUTPUT MOTOR LEFT)	J02	0	2	0	0	
31	1		FROM DISTRIBUTION BOARD (ELM20)	P01	2	8	0	0	
31	2		DC OUTPUT (GRP35, ELM53)	P02	0	8	0	0	
31	3		DC INPUT (GRP35, ELM54)	P03	0	4	0	0	
32	1		FROM DISTRIBUTION BOARD (ELM21)	P01	0	10	0	0	
32	2		DC OUTPUT (GRP35, ELM55)	P02	1	9	0	0	
32	3		DC INPUT (GRP35, ELM56)	P03	0	2	0	0	
33	1		SUPPLY INPUT	J03	1	3	0	0	
33	2		FROM GRP20, ELM67 (BASIS B. TD)	P01	0	16	0	0	
33	3		(OUTPUT MOTOR RIGHT)	J01	0	2	0	0	
33	4		OUTPUT MOTOR LEFT	J02	0	2	0	0	
34	1		GROUND CONNECTION	P01	0	1	0	0	
35	1		WIRE FIELD		0	55	0	0	
35	2		WIRE FIELD		0	6	0	0	
35	3		WIRE FIELD		0	14	0	0	
35	4		WIRE FIELD		0	4	0	0	
35	5		WIRE FIELD		0	4	0	0	
35	6		WIRE FIELD		0	4	0	0	
35	7		WIRE FIELD		0	4	0	0	
35	8		WIRE FIELD		0	8	0	0	
35	9		WIRE FIELD		0	6	0	0	
35	10		WIRE FIELD		0	6	0	0	
35	11		WIRE FIELD		0	4	0	0	
35	12		WIRE FIELD		0	4	0	0	
35	13		WIRE FIELD		0	2	0	0	
35	14		WIRE FIELD		0	2	0	0	
35	15		WIRE FIELD		0	6	0	0	
35	16		WIRE FIELD		0	6	0	0	
35	17		WIRE FIELD		0	9	0	0	
35	18		WIRE FIELD		0	9	0	0	
35	20		TO GRP31, ELM01	P01	0	12	0	0	
35	21		TO GRP32, ELM01	P02	2	8	0	0	
35	22		AUDIO RACK CH 1 TO 8	J01	3	10	0	0	
35	23		AUDIO RACK CH 9 TO 16	J02	3	7	0	0	
35	24		AUDIO RACK CH 17 TO 24	J03	3	7	0	0	
35	25		WIRE FIELD		0	4	0	0	
35	26		WIRE FIELD		0	4	0	0	
35	27		WIRE FIELD		0	4	0	0	
35	50	54.25.0303	CONN. TO PRIMARY REC. AMPLIFIER	P50	0	4	0	0	
35	51	54.25.0303	CONN. TO SYNC RECORD AMPLIFIER	P51	0	4	0	0	
35	52	54.25.0304	TO SP. MOTOR DRIVE AMPL. RIGHT	P52	1	3	0	0	
35	53	54.25.0308	FROM SW. STABILIZER +15.0/ -15.0	P53	0	8	0	0	
35	54	54.25.0304	TO SWIT. STABILIZER +15.0/ -15.0	P54	0	4	0	0	
35	55	54.25.0310	FROM SWITCHING STABILIZER +5.6	P55	1	9	0	0	

STUDER D820 MCH

 * STUDER REVOX AG * E L E M E N T S U M M A R Y * 91/02/19 * 11:24 * PAGE 11 *

 * 1.862.010.00 D820-48 PCM TAPE - RECORDER * 90/03/21 - 00 *

 ASY 1 1.862.100.00 TAPE DECK PCM - MCH <-- <-- <-- CONTINUATION

GRP	ELM	PART NUMBER	DESCRIPTION	UNUSED PINS	USED PINS	TOT.PINS	MULT.PINS	COD.KEYS	REMARK
35	56	54.25.0302	TO STABILIZER +5.6	P56	0	2	2	0	0
35	57	54.25.0304	TO SP. MOTOR DRIVE AMPL. LEFT	P57	1	3	4	0	0
35	58	54.25.0308	FROM POWER SUPPLY	P58	1	7	8	0	0
35	59	54.25.0310	CONN. TO BASIS BOARD TAPE DECK	P59	0	10	10	0	0
35	60	54.25.0306	TO BASIS BOARD TAPE DECK	P60	0	6	6	0	0
35	61	54.25.0302	TO BASIS BOARD AUDIO CONTROL	P61	0	2	2	0	0
35	62		TO CHASSIS GROUND	J04	0	1	1	0	0
35	63	54.25.0305	TO BASIS BOARD EQUALIZER	P63	0	5	5	0	0
35	64	54.25.0305	TO PREAMPLIFIER SUPPLY	P64	0	5	5	0	0
35	65		TO CAPSTAN MOTOR AMPLIFIER	P65	4	2	6	0	0
35	66	54.25.0304	FROM PREAMPLIFIER SUPPLY	P66	0	4	4	0	0
35	67	54.25.0304	TO PREAMPLIFIER	P67	0	4	4	0	0
35	68	54.25.0304	TO PREAMPLIFIER	P68	0	2	2	0	0
35	69	54.25.0304	TO PREAMPLIFIER	P69	0	2	2	0	0
36	1	1.820.771.00	TACHO SENSOR	P..	1	9	10	0	0
36	2		FROM GRP29, ELM 04	P02	0	2	2	0	0
37	1	1.820.771.00	TACHO SENSOR	P01	1	9	10	0	0
37	2		FROM GRP29, ELM 02	P02	0	2	2	0	0
38	1		FROM GRP39, ELM02	J01	1	11	12	0	0
38	2	1.021.696.00	TACHO SENSOR UNIT (WIRE FIELD)		4	0	4	0	0
38	3	1.021.697.00	HALL SENSOR BOARD (WIRE FIELD)		8	0	8	0	0
38	4		STATOR (WIRE FIELD)		0	3	3	0	0
38	5		GROUND CONNECTION (WIRE FIELD)		0	1	1	0	0
39	1		FROM GRP20, ELM56 (BASIS B. TD)	P01	0	16	16	0	0
39	2		TO GRP38, ELM01 (CAPSTAN MOTOR)	P02	0	12	12	0	0
39	3		FROM GRP20, ELM71 (BASIS B. TD)	P03	4	2	6	0	0
40	1		BRAKE SOLENOID		1	2	3	0	0
41	1		BRAKE SOLENOID		1	2	3	0	0
42	1		FROM GRP20, ELM65 (BASIS B. TD)	P01	3	7	10	0	0
43	1		FROM GRP20, ELM64 (BASIS B. TD)	P01	3	7	10	0	0
44	1		FROM GRP20, ELM57	P01	0	10	10	0	0
45	1		FROM GRP20, ELM61	P01	1	9	10	0	0
46	1		FROM GRP20, ELM59	P01	5	11	16	0	0
47	1		FROM GRP20, ELM58 (BASIS B. TD)	P01	5	11	16	0	0
48	1		FROM GRP50, ELM03 (DISPLAY DRIVER)		2	24	26	0	0
48	2		CONNECTOR EDIT ASSEMBLY		0	10	10	0	0
48	3		WIRE FIELD		2	8	10	0	0

 * STUDER REVOX AG * E L E M E N T S U M M A R Y * 91/02/19 * 11:24 * PAGE 12 *

 * 1.862.010.00 D820-48 PCM TAPE - RECORDER * 90/03/21 - 00 *

 ASY 1 1.862.100.00 TAPE DECK PCM - MCH <-- <-- <-- CONTINUATION

GRP	ELM	PART NUMBER	DESCRIPTION	UNUSED PINS	USED PINS	TOT.PINS	MULT.PINS	COD.KEYS	REMARK
49	1		FROM GRP48, ELM02 (PUSHBUTTON BOARD)		0	10	10	0	0
49	2		WIRE FIELD		1	4	5	0	0
50	1	1.820.768.00	DISPLAY DRIVER	P01	0	40	40	0	0
50	1A	1.820.768.00	CIRCUIT DIAGRAM SIGNAL NAMES	P01	0	40	40	0	0
51	1		FROM GRP50, ELM02 (DISPLAY DRIVER)		1	39	40	0	0
52	1		FROM GRP50, ELM04 (DISPLAY DRIVER)		0	16	16	0	0
59	1		FROM GRP20, ELM63 (BASIS B. TD)	P01	1	15	16	0	0
60	1		FROM GR. 20 ELM 58	P01	5	11	16	0	0
60	2		FROM GR. 20 ELM 61	P02	1	9	10	0	0
60	3		FROM GR. 20 ELM 60	P03	1	9	10	0	0
60	4		FROM GR. 20 ELM 62	P04	1	9	10	0	0
60	5		TO TAPE LIFT MOTOR, RIGHT	P05	5	11	16	0	0
60	6		TO MOVE SENSOR	P06	1	9	10	0	0
60	7		TO TACHO SENSOR SP. MOTOR RIGHT	P07	1	9	10	0	0
60	8		TO TACHO SENSOR SP. MOTOR LEFT	P08	1	9	10	0	0
69	1		FAN UNIT		0	2	2	0	0
73	1		JUNCTION		0	6	6	0	0
73	2		TIMER		0	2	2	0	0
73	3		FAN TD.		0	0	0	0	0
74	1		CONNECTION FAN		0	2	2	0	0
DISTRIBUTED IN 287 ELM TOTAL :				989	4911	5900	0	8	

 * STUDER REVOX AG * E L E M E N T S U M M A R Y * 91/02/19 * 11:24 * P A G E 13 *
 * 1.862.010.00 D820-48 PCM TAPE - RECORDER * 90/03/21 - 00 *
 ASY 2 1.050.401.00 HEAD BLOCK ASSEMBLY, 48 CH / 24 CH

GRP	ELM	PART NUMBER	DESCRIPTION	UNUSED PINS	USED PINS	TOT. PINS	MULT. PINS	COD. KEYS	REMARK
1	1		ERASE HEAD CONNECTOR	1	8	9	0	0	
1	2		ERASE HEAD	1	8	9	0	0	
2	1		RECORD HEAD CONNECTOR 1 (48 CH)	8	52	60	0	0	
2	2		RECORD HEAD CONNECTOR 2 (48 CH)	8	52	60	0	0	
3	1		REPRO HEAD CONNECTOR 1 (48 CH)	8	52	60	0	0	
3	2		REPRO HEAD CONNECTOR 2 (48 CH)	8	52	60	0	0	
4	1		RECORD HEAD CONNECTOR 1 (48 CH)	8	52	60	0	0	
4	2		RECORD HEAD CONNECTOR 2 (48 CH)	8	52	60	0	0	
11	1		ERASE HEAD CONNECTOR	1	8	9	0	0	
11	2		ERASE HEAD	1	8	9	0	0	
12	1		RECORD HEAD CONNECTOR 1 (24 CH)	6	28	34	0	0	
12	2		RECORD HEAD CONNECTOR 2 (24 CH)	6	28	34	0	0	
13	1		REPRO HEAD CONNECTOR 1 (24 CH)	6	28	34	0	0	
13	2		REPRO HEAD CONNECTOR 2 (24 CH)	6	28	34	0	0	
14	1		RECORD HEAD CONNECTOR 1 (24 CH)	6	28	34	0	0	
14	2		RECORD HEAD CONNECTOR 2 (24 CH)	6	28	34	0	0	
DISTRIBUTED IN 16 ELM TOTAL :				88	512	600	0	0	

 * STUDER REVOX AG * E L E M E N T S U M M A R Y * 91/02/19 * 11:24 * P A G E 14 *
 * 1.862.010.00 D820-48 PCM TAPE - RECORDER * 90/03/21 - 00 *
 ASY 3A 1.862.611.00 BACKPANEL AS1: A-GR.1 + S-GR.1

GRP	ELM	PART NUMBER	DESCRIPTION	UNUSED PINS	USED PINS	TOT. PINS	MULT. PINS	COD. KEYS	REMARK
1	11A	1.862.652.00	P01 MAPRO A-GR1 (CH 01-08)	8	24	32	0	0	BACKP. AS1
1	11B	1.862.652.00	P01 MAPRO A-GR1 (CH 01-08)	25	7	32	0	0	BACKP. AS1
1	11C	1.862.652.00	P01 MAPRO A-GR1 (CH 01-08)	0	32	32	0	0	BACKP. AS1
1	12A	1.862.652.00	P02 MAPRO A-GR1 (CH 01-08)	5	27	32	0	0	BACKP. AS1
1	12B	1.862.652.00	P02 MAPRO A-GR1 (CH 01-08)	26	6	32	0	0	BACKP. AS1
1	12C	1.862.652.00	P02 MAPRO A-GR1 (CH 01-08)	5	27	32	0	0	BACKP. AS1
1	21A	1.862.651.00	P01 DA A-GR1 (CH 01-08)	0	32	32	0	0	BACKP. AS1
1	21B	1.862.651.00	P01 DA A-GR1 (CH 01-08)	17	15	32	0	0	BACKP. AS1
1	21C	1.862.651.00	P01 DA A-GR1 (CH 01-08)	0	32	32	0	0	BACKP. AS1
1	22A	1.862.651.00	P02 DA A-GR1 (CH 01-08)	5	27	32	0	0	BACKP. AS1
1	22B	1.862.651.00	P02 DA A-GR1 (CH 01-08)	18	14	32	0	0	BACKP. AS1
1	22C	1.862.651.00	P02 DA A-GR1 (CH 01-08)	5	27	32	0	0	BACKP. AS1
1	31A	1.862.653.00	P01 IO A-GR1 (CH 01-08)	4	28	32	0	0	BACKP. AS1
1	31B	1.862.653.00	P01 IO A-GR1 (CH 01-08)	25	7	32	0	0	BACKP. AS1
1	31C	1.862.653.00	P01 IO A-GR1 (CH 01-08)	4	28	32	0	0	BACKP. AS1
1	32A	1.862.653.00	P02 IO A-GR1 (CH 01-08)	13	19	32	0	0	BACKP. AS1
1	32B	1.862.653.00	P02 IO A-GR1 (CH 01-08)	26	6	32	0	0	BACKP. AS1
1	41A	1.862.650.00	P01 AD A-GR1 (CH 01-08)	13	19	32	0	0	BACKP. AS1
1	41B	1.862.650.00	P01 AD A-GR1 (CH 01-08)	0	32	32	0	0	BACKP. AS1
1	41C	1.862.650.00	P01 AD A-GR1 (CH 01-08)	17	15	32	0	0	BACKP. AS1
1	42A	1.862.650.00	P02 AD A-GR1 (CH 01-08)	5	27	32	0	0	BACKP. AS1
1	42B	1.862.650.00	P02 AD A-GR1 (CH 01-08)	18	14	32	0	0	BACKP. AS1
1	42C	1.862.650.00	P02 AD A-GR1 (CH 01-08)	5	27	32	0	0	BACKP. AS1
1S	11A	1.862.661.00	P01 CUE MODEM	7	25	32	0	0	BACKP. AS1
1S	11B	1.862.661.00	P01 CUE MODEM	9	23	32	0	0	BACKP. AS1
1S	11C	1.862.661.00	P01 CUE MODEM	11	21	32	0	0	BACKP. AS1
1S	12A	1.862.661.00	P02 CUE MODEM	13	19	32	0	0	BACKP. AS1
1S	12B	1.862.661.00	P02 CUE MODEM	26	6	32	0	0	BACKP. AS1
1S	12C	1.862.661.00	P02 CUE MODEM	13	19	32	0	0	BACKP. AS1
1S	21A	1.862.655.00	P01 CENTRAL PROCESSOR UNIT	24	8	32	0	0	BACKP. AS1
1S	21B	1.862.655.00	P01 CENTRAL PROCESSOR UNIT	24	8	32	0	0	BACKP. AS1
1S	21C	1.862.655.00	P01 CENTRAL PROCESSOR UNIT	22	10	32	0	0	BACKP. AS1
1S	22A	1.862.655.00	P02 CENTRAL PROCESSOR UNIT	2	30	32	0	0	BACKP. AS1
1S	22B	1.862.655.00	P02 CENTRAL PROCESSOR UNIT	26	6	32	0	0	BACKP. AS1
1S	22C	1.862.655.00	P02 CENTRAL PROCESSOR UNIT	1	31	32	0	0	BACKP. AS1
1S	31A	1.862.656.00	P01 PERIPHERAL INTERFACE	1	31	32	0	0	BACKP. AS1
1S	31B	1.862.656.00	P01 PERIPHERAL INTERFACE	3	29	32	0	0	BACKP. AS1
1S	31C	1.862.656.00	P01 PERIPHERAL INTERFACE	1	31	32	0	0	BACKP. AS1
1S	32A	1.862.656.00	P02 PERIPHERAL INTERFACE	1	31	32	0	0	BACKP. AS1
1S	32B	1.862.656.00	P02 PERIPHERAL INTERFACE	26	6	32	0	0	BACKP. AS1
1S	32C	1.862.656.00	P02 PERIPHERAL INTERFACE	1	31	32	0	0	BACKP. AS1
1S	41A	1.862.659.00	P01 SYNCHRONIZER	13	19	32	0	0	BACKP. AS1
1S	41B	1.862.659.00	P01 SYNCHRONIZER	25	7	32	0	0	BACKP. AS1
1S	41C	1.862.659.00	P01 SYNCHRONIZER	12	20	32	0	0	BACKP. AS1
1S	42A	1.862.659.00	P02 SYNCHRONIZER	1	31	32	0	0	BACKP. AS1
1S	42B	1.862.659.00	P02 SYNCHRONIZER	26	6	32	0	0	BACKP. AS1
1S	42C	1.862.659.00	P02 SYNCHRONIZER	1	31	32	0	0	BACKP. AS1
1S	51A	1.862.657.00	P01 REFERENCE TRACK	19	13	32	0	0	BACKP. AS1

STUDER D820 MCH

 * STUDER REVOX AG * E L E M E N T S U M M A R Y * 91/02/19 * 11:24 * PAGE 15 *

 * 1.862.010.00 D820-48 PCM TAPE - RECORDER * 90/03/21 - 00 *

 ASY 3A 1.862.611.00 BACKPANEL AS1: A-GR.1 + S-GR.1 <-- <-- <-- CONTINUATION

GRP	ELM	PART NUMBER	DESCRIPTION	UNUSED PINS	USED PINS	TOT.PINS	MULT.PINS	COD.KEYS	REMARK
1S	51B	1.862.657.00	P01 REFERENCE TRACK	25	7	32	0	0	BACKP.AS1
1S	51C	1.862.657.00	P01 REFERENCE TRACK	16	16	32	0	0	BACKP.AS1
1S	52A	1.862.657.00	P02 REFERENCE TRACK	2	30	32	0	0	BACKP.AS1
1S	52B	1.862.657.00	P02 REFERENCE TRACK	26	6	32	0	0	BACKP.AS1
1S	52C	1.862.657.00	P02 REFERENCE TRACK	3	29	32	0	0	BACKP.AS1
10S	10		CUE HEADPHONE OUT	0	10	10	0	0	BACKP.AS1
10S	11		CUE IN/OUT	0	16	16	0	0	BACKP.AS1
10S	12		CUE ANALOG (FROM TD)	4	6	10	0	0	BACKP.AS1
10S	13		CUE PDM (TO TD)	7	3	10	0	0	BACKP.AS1
10S	14		CPU POWER CONTROL	7	3	10	0	0	BACKP.AS1
10S	15		PIF SERBUS INTERN	2	8	10	0	0	BACKP.AS1
10S	15X		DUMMY CONNECTOR NOT EXISTENT	27	0	27	0	0	BACKP.AS1
10S	16		FIFO-BUS TERMINATION	0	10	10	0	0	BACKP.AS1
10S	17		FIFO-BUS TERMINATION	7	3	10	0	0	BACKP.AS1
10S	17X		DUMMY CONNECTOR NOT EXISTENT	10	0	10	0	0	BACKP.AS1
10S	18		FIFO-BUS TERMINATION	0	10	10	0	0	BACKP.AS1
10S	19		FIFO-BUS TERMINATION	6	4	10	0	0	BACKP.AS1
10S	21		PIF TDC-BUS	0	40	40	0	0	BACKP.AS1
10S	22		PIF REM-BUS	0	10	10	0	0	BACKP.AS1
10S	31		PIF SSDA	0	10	10	0	0	BACKP.AS1
10S	32		SSTC MASTER TALLIES	4	6	10	0	0	BACKP.AS1
10S	33		PIF SMPTE/EBU	2	8	10	0	0	BACKP.AS1
10S	34		PIF SERBUS EXTERN	2	8	10	0	0	BACKP.AS1
10S	41		RT+TC DATA (TO TD)	2	8	10	0	0	BACKP.AS1
10S	42		SSTC + RT IN/OUT	2	8	10	0	0	BACKP.AS1
10S	43		RT+TC CLOCKS	8	18	26	0	0	BACKP.AS1
10S	46		FIFO-BUS TERMINATION	0	10	10	0	0	BACKP.AS1
10S	47		FIFO-BUS TERMINATION	7	3	10	0	0	BACKP.AS1
10S	47X		DUMMY CONNECTOR NOT EXISTENT	10	0	10	0	0	BACKP.AS1
10S	48		FIFO-BUS TERMINATION	0	10	10	0	0	BACKP.AS1
10S	49		FIFO-BUS TERMINATION	6	4	10	0	0	BACKP.AS1
10S	60X		DUMMY CONNECTOR NOT EXISTENT	40	0	40	0	0	BACKP.AS1
10S	61A	1.862.600.00	P01 18V CONVERTER NEG	8	8	16	0	0	BACKP.AS1
10S	61B		DUMMY CONNECTOR NOT EXISTENT	16	0	16	0	0	BACKP.AS1
10S	61C	1.862.600.00	P01 18V CONVERTER NEG	8	8	16	0	0	BACKP.AS1
10S	61D		DUMMY CONNECTOR NOT EXISTENT	16	0	16	0	0	BACKP.AS1
10S	61E	1.862.600.00	P01 18V CONVERTER NEG	6	10	16	0	0	BACKP.AS1
10S	61F		DUMMY CONNECTOR NOT EXISTENT	16	0	16	0	0	BACKP.AS1
10S	62A	1.862.600.00	P02 18V CONVERTER NEG	8	8	16	0	0	BACKP.AS1
10S	62B		DUMMY CONNECTOR NOT EXISTENT	16	0	16	0	0	BACKP.AS1
10S	62C	1.862.600.00	P02 18V CONVERTER NEG	8	8	16	0	0	BACKP.AS1
10S	62D		DUMMY CONNECTOR NOT EXISTENT	16	0	16	0	0	BACKP.AS1
10S	62E	1.862.600.00	P02 18V CONVERTER NEG	5	11	16	0	0	BACKP.AS1
10S	62F		DUMMY CONNECTOR NOT EXISTENT	24	0	24	0	0	BACKP.AS1
10S	71		POWER TERMINAL +60 V	0	1	1	0	0	BACKP.AS1
10S	72		POWER TERMINAL +60 V	0	1	1	0	0	BACKP.AS1
10S	73		POWER TERMINAL 0 V	0	1	1	0	0	BACKP.AS1
10S	74		POWER TERMINAL 0 V	0	1	1	0	0	BACKP.AS1
10S	75		POWER TERMINAL -18 V	0	1	1	0	0	BACKP.AS1

 * STUDER REVOX AG * E L E M E N T S U M M A R Y * 91/02/19 * 11:24 * PAGE 16 *

 * 1.862.010.00 D820-48 PCM TAPE - RECORDER * 90/03/21 - 00 *

 ASY 3A 1.862.611.00 BACKPANEL AS1: A-GR.1 + S-GR.1 <-- <-- <-- CONTINUATION

GRP	ELM	PART NUMBER	DESCRIPTION	UNUSED PINS	USED PINS	TOT.PINS	MULT.PINS	COD.KEYS	REMARK
10S	76		POWER TERMINAL -18 V	0	1	1	0	0	BACKP.AS1
10S	77		POWER TERMINAL -18 V	0	1	1	0	0	BACKP.AS1
10S	78		POWER TERMINAL +18 V	0	1	1	0	0	BACKP.AS1
10S	79		POWER TERMINAL +5 V 3A	0	1	1	0	0	BACKP.AS1
10S	80		POWER TERMINAL GND	0	1	1	0	0	BACKP.AS1
10S	81		POWER TERMINAL GND	0	1	1	0	0	BACKP.AS1
10S	91		GENERAL BUS ASSY.3	4	30	34	0	0	BACKP.AS1
11	11		MA (MAPRO OUT) A-GR.1/CHANNEL 1- 8	0	16	16	0	0	BACKP.AS1
11	12		TA (MAPRO IN) A-GR.1/CHANNEL 1- 8	0	16	16	0	0	BACKP.AS1
11	21		DA OUT A-GR.1/CH 3, 4, 7, 8	0	16	16	0	0	BACKP.AS1
11	22		DA OUT A-GR.1/CH 1, 2, 5, 6	0	16	16	0	0	BACKP.AS1
11	31		AD IN A-GR.1/CHANNEL 5- 8	0	16	16	0	0	BACKP.AS1
11	32		AD IN A-GR.1/CHANNEL 1- 4	0	16	16	0	0	BACKP.AS1
11	41		IO A-GR.1/CHANNEL 1- 8	2	8	10	0	0	BACKP.AS1
11	71		RESERVE 16-PIN	16	0	16	0	0	BACKP.AS1
11	72		GENERAL BUS ASSY.3A	5	29	34	0	0	BACKP.AS1
11	72X		DUMMY CONNECTOR NOT EXISTENT	1	0	1	0	0	BACKP.AS1
11	80		POWER TERMINAL GND	0	1	1	0	0	BACKP.AS1
11	81		POWER TERMINAL GND	0	1	1	0	0	BACKP.AS1
11	82		POWER TERMINAL GND	0	1	1	0	0	BACKP.AS1
11	83		POWER TERMINAL GND	0	1	1	0	0	BACKP.AS1
11	99		EMPTY PAGE	50	0	50	0	0	BACKP.AS1
DISTRIBUTED IN 120 ELM TOTAL :				1009	1544	2553	0	0	

 * STUDER REVOX AG * E L E M E N T S U M M A R Y * 91/02/19 * 11:24 * P A G E 17 *

 * 1.862.010.00 D820-48 PCM TAPE - RECORDER * 90/03/21 - 00 *

 ASY 3B 1.862.609.00 BACKPANEL AA1: A-GR.2 + A-GR.3

GRP	ELM	PART NUMBER	DESCRIPTION	UNUSED PINS	USED PINS	TOT. PINS	MULT. PINS	COD. KEYS	REMARK
2	11A	1.862.652.00	P01 MAPRO A-GR2 (CH 09-16)	8	24	32	0	0	BACKP. AA1
2	11B	1.862.652.00	P01 MAPRO A-GR2 (CH 09-16)	25	7	32	0	0	BACKP. AA1
2	11C	1.862.652.00	P01 MAPRO A-GR2 (CH 09-16)	0	32	32	0	0	BACKP. AA1
2	12A	1.862.652.00	P02 MAPRO A-GR2 (CH 09-16)	5	27	32	0	0	BACKP. AA1
2	12B	1.862.652.00	P02 MAPRO A-GR2 (CH 09-16)	26	6	32	0	0	BACKP. AA1
2	12C	1.862.652.00	P02 MAPRO A-GR2 (CH 09-16)	5	27	32	0	0	BACKP. AA1
2	21A	1.862.651.00	P01 DA A-GR2 (CH 09-16)	0	32	32	0	0	BACKP. AA1
2	21B	1.862.651.00	P01 DA A-GR2 (CH 09-16)	17	15	32	0	0	BACKP. AA1
2	21C	1.862.651.00	P01 DA A-GR2 (CH 09-16)	0	32	32	0	0	BACKP. AA1
2	22A	1.862.651.00	P02 DA A-GR2 (CH 09-16)	5	27	32	0	0	BACKP. AA1
2	22B	1.862.651.00	P02 DA A-GR2 (CH 09-16)	18	14	32	0	0	BACKP. AA1
2	22C	1.862.651.00	P02 DA A-GR2 (CH 09-16)	5	27	32	0	0	BACKP. AA1
2	31A	1.862.653.00	P01 IO A-GR2 (CH 09-16)	4	28	32	0	0	BACKP. AA1
2	31B	1.862.653.00	P01 IO A-GR2 (CH 09-16)	25	7	32	0	0	BACKP. AA1
2	31C	1.862.653.00	P01 IO A-GR2 (CH 09-16)	4	28	32	0	0	BACKP. AA1
2	32A	1.862.653.00	P02 IO A-GR2 (CH 09-16)	13	19	32	0	0	BACKP. AA1
2	32B	1.862.653.00	P02 IO A-GR2 (CH 09-16)	26	6	32	0	0	BACKP. AA1
2	32C	1.862.653.00	P02 IO A-GR2 (CH 09-16)	13	19	32	0	0	BACKP. AA1
2	41A	1.862.650.00	P01 AD A-GR2 (CH 09-16)	0	32	32	0	0	BACKP. AA1
2	41B	1.862.650.00	P01 AD A-GR2 (CH 09-16)	17	15	32	0	0	BACKP. AA1
2	41C	1.862.650.00	P01 AD A-GR2 (CH 09-16)	8	24	32	0	0	BACKP. AA1
2	42A	1.862.650.00	P02 AD A-GR2 (CH 09-16)	5	27	32	0	0	BACKP. AA1
2	42B	1.862.650.00	P02 AD A-GR2 (CH 09-16)	18	14	32	0	0	BACKP. AA1
2	42C	1.862.650.00	P02 AD A-GR2 (CH 09-16)	5	27	32	0	0	BACKP. AA1
3	11A	1.862.652.00	P01 MAPRO A-GR3 (CH 17-24)	8	24	32	0	0	BACKP. AA1
3	11B	1.862.652.00	P01 MAPRO A-GR3 (CH 17-24)	25	7	32	0	0	BACKP. AA1
3	11C	1.862.652.00	P01 MAPRO A-GR3 (CH 17-24)	0	32	32	0	0	BACKP. AA1
3	12A	1.862.652.00	P02 MAPRO A-GR3 (CH 17-24)	5	27	32	0	0	BACKP. AA1
3	12B	1.862.652.00	P02 MAPRO A-GR3 (CH 17-24)	26	6	32	0	0	BACKP. AA1
3	12C	1.862.652.00	P02 MAPRO A-GR3 (CH 17-24)	5	27	32	0	0	BACKP. AA1
3	21A	1.862.651.00	P01 DA A-GR3 (CH 17-24)	0	32	32	0	0	BACKP. AA1
3	21B	1.862.651.00	P01 DA A-GR3 (CH 17-24)	17	15	32	0	0	BACKP. AA1
3	21C	1.862.651.00	P01 DA A-GR3 (CH 17-24)	0	32	32	0	0	BACKP. AA1
3	22A	1.862.651.00	P02 DA A-GR3 (CH 17-24)	5	27	32	0	0	BACKP. AA1
3	22B	1.862.651.00	P02 DA A-GR3 (CH 17-24)	18	14	32	0	0	BACKP. AA1
3	22C	1.862.651.00	P02 DA A-GR3 (CH 17-24)	5	27	32	0	0	BACKP. AA1
3	31A	1.862.653.00	P01 IO A-GR3 (CH 17-24)	4	28	32	0	0	BACKP. AA1
3	31B	1.862.653.00	P01 IO A-GR3 (CH 17-24)	25	7	32	0	0	BACKP. AA1
3	31C	1.862.653.00	P01 IO A-GR3 (CH 17-24)	4	28	32	0	0	BACKP. AA1
3	32A	1.862.653.00	P02 IO A-GR3 (CH 17-24)	13	19	32	0	0	BACKP. AA1
3	32B	1.862.653.00	P02 IO A-GR3 (CH 17-24)	26	6	32	0	0	BACKP. AA1
3	32C	1.862.653.00	P02 IO A-GR3 (CH 17-24)	13	19	32	0	0	BACKP. AA1
3	41A	1.862.650.00	P01 AD A-GR3 (CH 17-24)	0	32	32	0	0	BACKP. AA1
3	41B	1.862.650.00	P01 AD A-GR3 (CH 17-24)	17	15	32	0	0	BACKP. AA1
3	41C	1.862.650.00	P01 AD A-GR3 (CH 17-24)	8	24	32	0	0	BACKP. AA1
3	42A	1.862.650.00	P02 AD A-GR3 (CH 17-24)	5	27	32	0	0	BACKP. AA1
3	42B	1.862.650.00	P02 AD A-GR3 (CH 17-24)	18	14	32	0	0	BACKP. AA1
3	42C	1.862.650.00	P02 AD A-GR3 (CH 17-24)	5	27	32	0	0	BACKP. AA1
3	52A	1.862.670.00	P02 BTM	13	19	32	0	0	BACKP. AA1

 * STUDER REVOX AG * E L E M E N T S U M M A R Y * 91/02/19 * 11:24 * P A G E 18 *

 * 1.862.010.00 D820-48 PCM TAPE - RECORDER * 90/03/21 - 00 *

 ASY 3B 1.862.609.00 BACKPANEL AA1: A-GR.2 + A-GR.3 <-- <-- <-- CONTINUATION

GRP	ELM	PART NUMBER	DESCRIPTION	UNUSED PINS	USED PINS	TOT. PINS	MULT. PINS	COD. KEYS	REMARK
3	52B	1.862.670.00	P02 BTM	26	6	32	0	0	BACKP. AA1
3	52C	1.862.670.00	P02 BTM	13	19	32	0	0	BACKP. AA1
10	11		MA (MAPRO OUT) A-GR.2/CHANNEL 9-16	0	16	16	0	0	BACKP. AA1
10	12		TA (MAPRO IN) A-GR.2/CHANNEL 9-16	0	16	16	0	0	BACKP. AA1
10	21		DA OUT A-GR.2/CH11,12,15,16	0	16	16	0	0	BACKP. AA1
10	22		DA OUT A-GR.2/CH 9,10,13,14	0	16	16	0	0	BACKP. AA1
10	31		AD IN A-GR.2/CHANNEL 13-16	0	16	16	0	0	BACKP. AA1
10	32		AD IN A-GR.2/CHANNEL 9-12	0	16	16	0	0	BACKP. AA1
10	41		IO A-GR.2+3/CHANNEL 9-24	0	16	16	0	0	BACKP. AA1
10	71		RESERVE 16-PIN	16	0	16	0	0	BACKP. AA1
10	72		GENERAL BUS ASSY.3B	5	29	34	0	0	BACKP. AA1
10	72X		DUMMY CONNECTOR NOT EXISTENT	1	0	1	0	0	
10	80		POWER-TERMINAL GND	0	1	1	0	0	BACKP. AA1
10	81		POWER-TERMINAL GND	0	1	1	0	0	BACKP. AA1
10	82		POWER-TERMINAL GND	0	1	1	0	0	BACKP. AA1
10	83		POWER-TERMINAL GND	0	1	1	0	0	BACKP. AA1
10	84		POWER-TERMINAL GND	0	1	1	0	0	BACKP. AA1
11	11		MA (MAPRO OUT) A-GR.3/CHANNEL 17-24	0	16	16	0	0	BACKP. AA1
11	12		TA (MAPRO IN) A-GR.3/CHANNEL 17-24	0	16	16	0	0	BACKP. AA1
11	21		DA OUT A-GR.3/CH19,20,23,24	0	16	16	0	0	BACKP. AA1
11	22		DA OUT A-GR.3/CH17,18,21,22	0	16	16	0	0	BACKP. AA1
11	31		AD IN A-GR.3/CHANNEL 21-24	0	16	16	0	0	BACKP. AA1
11	32		AD IN A-GR.3/CHANNEL 17-20	0	16	16	0	0	BACKP. AA1
11	61A	1.862.601.00	5V CONVERTER 3B	2	14	16	0	0	BACKP. AA1
11	61B		DUMMY CONNECTOR NOT EXISTENT	16	0	16	0	0	
11	61C	1.862.601.00	5V CONVERTER 3B	1	15	16	0	0	BACKP. AA1
11	61D		DUMMY CONNECTOR NOT EXISTENT	16	0	16	0	0	
11	61E	1.862.601.00	5V CONVERTER 3B	0	16	16	0	0	BACKP. AA1
11	61F		DUMMY CONNECTOR NOT EXISTENT	16	0	16	0	0	
11	62A	1.862.601.00	5V CONVERTER 3A	2	14	16	0	0	BACKP. AA1
11	62B		DUMMY CONNECTOR NOT EXISTENT	16	0	16	0	0	
11	62C	1.862.601.00	5V CONVERTER 3A	1	15	16	0	0	BACKP. AA1
11	62D		DUMMY CONNECTOR NOT EXISTENT	16	0	16	0	0	
11	62E	1.862.601.00	5V CONVERTER 3A	0	16	16	0	0	BACKP. AA1
11	62F		DUMMY CONNECTOR NOT EXISTENT	24	0	24	0	0	
11	71		POWER-TERMINAL 0 V	0	1	1	0	0	BACKP. AA1
11	72		POWER-TERMINAL +60 V	0	1	1	0	0	BACKP. AA1
11	73		POWER-TERMINAL +5 V 3B	0	1	1	0	0	BACKP. AA1
11	74		POWER-TERMINAL 0 V	0	1	1	0	0	BACKP. AA1
11	75		POWER-TERMINAL +60 V	0	1	1	0	0	BACKP. AA1
11	76		POWER-TERMINAL +5 V 3A	0	1	1	0	0	BACKP. AA1
11	77		POWER-TERMINAL -18 V	0	1	1	0	0	BACKP. AA1
11	78		POWER-TERMINAL +18 V	0	1	1	0	0	BACKP. AA1
11	80		POWER-TERMINAL GND	0	1	1	0	0	BACKP. AA1
11	81		POWER-TERMINAL GND	0	1	1	0	0	BACKP. AA1
11	82		POWER-TERMINAL GND	0	1	1	0	0	BACKP. AA1
11	83		POWER-TERMINAL GND	0	1	1	0	0	BACKP. AA1
11	99		EMPTY PAGE	50	0	50	0	0	
DISTRIBUTED IN 97 ELM TOTAL :				738	1420	2158	0	0	

STUDER D820 MCH

 * STUDER REVOX AG * ELEMENT SUMMARY * 91/02/19 * 11:24 * PAGE 19 *

 * 1.862.010.00 D820-48 PCM TAPE - RECORDER * 90/03/21 - 00 *

 ASY 4A 1.862.612.00 BACKPANEL AS2: A-GR.4 + S-GR.2 *****

GRP	ELM	PART NUMBER	DESCRIPTION	UNUSED PINS	USED PINS	TOT.PINS	MULT.PINS	COD.KEYS	REMARK
2S	11A	1.862.660.00	P01 CLOCK-BOARD	13	19	32	0	0	BACKP.AS2
2S	11B	1.862.660.00	P01 CLOCK-BOARD	19	13	32	0	0	BACKP.AS2
2S	11C	1.862.660.00	P01 CLOCK-BOARD	13	19	32	0	0	BACKP.AS2
2S	12A	1.862.660.00	P02 CLOCK-BOARD	10	22	32	0	0	BACKP.AS2
2S	12B	1.862.660.00	P02 CLOCK-BOARD	26	6	32	0	0	BACKP.AS2
2S	12C	1.862.660.00	P02 CLOCK-BOARD	10	22	32	0	0	BACKP.AS2
2S	21A	1.862.662.00	P01 PING-PONG	2	30	32	0	0	BACKP.AS2
2S	21B	1.862.662.00	P01 PING-PONG	26	6	32	0	0	BACKP.AS2
2S	21C	1.862.662.00	P01 PING-PONG	2	30	32	0	0	BACKP.AS2
2S	22A	1.862.662.00	P02 PING-PONG	2	30	32	0	0	BACKP.AS2
2S	22B	1.862.662.00	P02 PING-PONG	26	6	32	0	0	BACKP.AS2
2S	22C	1.862.662.00	P02 PING-PONG	4	28	32	0	0	BACKP.AS2
2S	31A	1.862.663.00	P01 MASTER I/O A (CH 01-24)	2	30	32	0	0	BACKP.AS2
2S	31B	1.862.663.00	P01 MASTER I/O A (CH 01-24)	1	31	32	0	0	BACKP.AS2
2S	31C	1.862.663.00	P01 MASTER I/O A (CH 01-24)	7	25	32	0	0	BACKP.AS2
2S	32A	1.862.663.00	P02 MASTER I/O A (CH 01-24)	3	29	32	0	0	BACKP.AS2
2S	32B	1.862.663.00	P02 MASTER I/O A (CH 01-24)	1	31	32	0	0	BACKP.AS2
2S	32C	1.862.663.00	P02 MASTER I/O A (CH 01-24)	2	30	32	0	0	BACKP.AS2
2S	41A	1.862.663.00	P01 MASTER I/O B (CH 25-48)	2	30	32	0	0	BACKP.AS2
2S	41B	1.862.663.00	P01 MASTER I/O B (CH 25-48)	1	31	32	0	0	BACKP.AS2
2S	41C	1.862.663.00	P01 MASTER I/O B (CH 25-48)	7	25	32	0	0	BACKP.AS2
2S	42A	1.862.663.00	P02 MASTER I/O B (CH 25-48)	3	29	32	0	0	BACKP.AS2
2S	42B	1.862.663.00	P02 MASTER I/O B (CH 25-48)	1	31	32	0	0	BACKP.AS2
2S	42C	1.862.663.00	P02 MASTER I/O B (CH 25-48)	2	30	32	0	0	BACKP.AS2
2S	51A	1.862.664.00	P01 AES-INTERFACE	13	19	32	0	0	BACKP.AS2
2S	51B	1.862.664.00	P01 AES-INTERFACE	25	7	32	0	0	BACKP.AS2
2S	51C	1.862.664.00	P01 AES-INTERFACE	15	17	32	0	0	BACKP.AS2
2S	52A	1.862.664.00	P02 AES-INTERFACE	13	19	32	0	0	BACKP.AS2
2S	52B	1.862.664.00	P02 AES-INTERFACE	26	6	32	0	0	BACKP.AS2
2S	52C	1.862.664.00	P02 AES-INTERFACE	5	27	32	0	0	BACKP.AS2
2S	61A	1.862.665.00	P01 SOUND-MEMORY	17	15	32	0	0	BACKP.AS2
2S	61B	1.862.665.00	P01 SOUND-MEMORY	25	7	32	0	0	BACKP.AS2
2S	61C	1.862.665.00	P01 SOUND-MEMORY	17	15	32	0	0	BACKP.AS2
2S	62A	1.862.665.00	P02 SOUND-MEMORY	21	11	32	0	0	BACKP.AS2
2S	62B	1.862.665.00	P02 SOUND-MEMORY	26	6	32	0	0	BACKP.AS2
2S	62C	1.862.665.00	P02 SOUND-MEMORY	18	14	32	0	0	BACKP.AS2
4	11A	1.862.652.00	P01 MAPRO A_GR4 (CH 25-32)	8	24	32	0	0	BACKP.AS2
4	11B	1.862.652.00	P01 MAPRO A_GR4 (CH 25-32)	25	7	32	0	0	BACKP.AS2
4	11C	1.862.652.00	P01 MAPRO A_GR4 (CH 25-32)	0	32	32	0	0	BACKP.AS2
4	12A	1.862.652.00	P02 MAPRO A_GR4 (CH 25-32)	5	27	32	0	0	BACKP.AS2
4	12B	1.862.652.00	P02 MAPRO A_GR4 (CH 25-32)	26	6	32	0	0	BACKP.AS2
4	12C	1.862.652.00	P02 MAPRO A_GR4 (CH 25-32)	5	27	32	0	0	BACKP.AS2
4	21A	1.862.651.00	P01 DA A_GR4 (CH 25-32)	0	32	32	0	0	BACKP.AS2
4	21B	1.862.651.00	P01 DA A_GR4 (CH 25-32)	17	15	32	0	0	BACKP.AS2
4	21C	1.862.651.00	P01 DA A_GR4 (CH 25-32)	0	32	32	0	0	BACKP.AS2
4	22A	1.862.651.00	P02 DA A_GR4 (CH 25-32)	5	27	32	0	0	BACKP.AS2
4	22B	1.862.651.00	P02 DA A_GR4 (CH 25-32)	18	14	32	0	0	BACKP.AS2
4	22C	1.862.651.00	P02 DA A_GR4 (CH 25-32)	5	27	32	0	0	BACKP.AS2
4	31A	1.862.653.00	P01 IO A_GR4 (CH 25-32)	4	28	32	0	0	BACKP.AS2

 * STUDER REVOX AG * ELEMENT SUMMARY * 91/02/19 * 11:24 * PAGE 20 *

 * 1.862.010.00 D820-48 PCM TAPE - RECORDER * 90/03/21 - 00 *

 ASY 4A 1.862.612.00 BACKPANEL AS2: A-GR.4 + S-GR.2 *****

GRP	ELM	PART NUMBER	DESCRIPTION	UNUSED PINS	USED PINS	TOT.PINS	MULT.PINS	COD.KEYS	REMARK
4	31B	1.862.653.00	P01 IO A_GR4 (CH 25-32)	25	7	32	0	0	BACKP.AS2
4	31C	1.862.653.00	P01 IO A_GR4 (CH 25-32)	4	28	32	0	0	BACKP.AS2
4	32A	1.862.653.00	P02 IO A_GR4 (CH 25-32)	13	19	32	0	0	BACKP.AS2
4	32B	1.862.653.00	P02 IO A_GR4 (CH 25-32)	26	6	32	0	0	BACKP.AS2
4	32C	1.862.653.00	P02 IO A_GR4 (CH 25-32)	13	19	32	0	0	BACKP.AS2
4	41A	1.862.650.00	P01 AD A_GR4 (CH 25-32)	0	32	32	0	0	BACKP.AS2
4	41B	1.862.650.00	P01 AD A_GR4 (CH 25-32)	17	15	32	0	0	BACKP.AS2
4	41C	1.862.650.00	P01 AD A_GR4 (CH 25-32)	0	32	32	0	0	BACKP.AS2
4	42A	1.862.650.00	P02 AD A_GR4 (CH 25-32)	8	24	32	0	0	BACKP.AS2
4	42B	1.862.650.00	P02 AD A_GR4 (CH 25-32)	18	14	32	0	0	BACKP.AS2
4	42C	1.862.650.00	P02 AD A_GR4 (CH 25-32)	5	27	32	0	0	BACKP.AS2
10S	11		CLOCK-BOARD IN/OUT	0	16	16	0	0	BACKP.AS2
10S	12		CLOCK-CONNECTOR	2	24	26	0	0	BACKP.AS2
10S	13		RT+TC CLOCKS	8	18	26	0	0	BACKP.AS2
10S	14		VIDEO SYNC (BNC)	0	2	2	0	0	BACKP.AS2
10S	21		IO A-GR.1/CHANNEL 1- 8	2	8	10	0	0	BACKP.AS2
10S	21X		DUMMY CONNECTOR NOT EXISTENT	9	0	9	0	0	
10S	22		IO A-GR.2+3/CHANNEL 9-24	0	16	16	0	0	BACKP.AS2
10S	22X		DUMMY CONNECTOR NOT EXISTENT	3	0	3	0	0	
10S	23		IO A-GR.4+5/CHANNEL 33-48	0	16	16	0	0	BACKP.AS2
10S	31		MIO A IN/2 CHANNEL 14-24	4	22	26	0	0	BACKP.AS2
10S	32		MIO A IN/1 CHANNEL 1-13	0	26	26	0	0	BACKP.AS2
10S	33		MIO A OUT/1 CHANNEL 1-13	0	26	26	0	0	BACKP.AS2
10S	34		MIO A OUT/2 CHANNEL 14-24	4	22	26	0	0	BACKP.AS2
10S	41		MIO B IN/2 CHANNEL 38-48	4	22	26	0	0	BACKP.AS2
10S	42		MIO B IN/1 CHANNEL 25-37	0	26	26	0	0	BACKP.AS2
10S	43		MIO B OUT/1 CHANNEL 25-37	0	26	26	0	0	BACKP.AS2
10S	44		MIO B OUT/2 CHANNEL 38-48	4	22	26	0	0	BACKP.AS2
10S	44X		DUMMY CONNECTOR NOT EXISTENT	40	0	40	0	0	
10S	51		AES 2-CHANNEL INTERFACE	6	4	10	0	0	BACKP.AS2
10S	51X		DUMMY CONNECTOR NOT EXISTENT	25	0	25	0	0	
10S	52		MADI DATA OUT (BNC)	0	2	2	0	0	BACKP.AS2
10S	53		MADI DATA IN (BNC)	0	2	2	0	0	BACKP.AS2
10S	53X		DUMMY CONNECTOR NOT EXISTENT	24	0	24	0	0	
10S	56		RESERVE 10-PIN	10	0	10	0	0	BACKP.AS2
10S	56X		DUMMY CONNECTOR NOT EXISTENT	17	0	17	0	0	
10S	57		POWER TERMINAL + 5 V	0	1	1	0	0	BACKP.AS2
10S	61A	1.862.600.00	P01 18 V CONVERTER POS	8	8	16	0	0	BACKP.AS2
10S	61B		DUMMY CONNECTOR NOT EXISTENT	16	0	16	0	0	BACKP.AS2
10S	61C	1.862.600.00	P01 18 V CONVERTER POS	8	8	16	0	0	BACKP.AS2
10S	61D		DUMMY CONNECTOR NOT EXISTENT	16	0	16	0	0	BACKP.AS2
10S	61E	1.862.600.00	P01 18 V CONVERTER POS	16	0	16	0	0	BACKP.AS2
10S	61F		DUMMY CONNECTOR NOT EXISTENT	16	0	16	0	0	BACKP.AS2
10S	62A	1.862.600.00	P02 18 V CONVERTER POS	8	8	16	0	0	BACKP.AS2
10S	62B		DUMMY CONNECTOR NOT EXISTENT	16	0	16	0	0	BACKP.AS2
10S	62C	1.862.600.00	P02 18 V CONVERTER POS	8	8	16	0	0	BACKP.AS2
10S	62D		DUMMY CONNECTOR NOT EXISTENT	16	0	16	0	0	BACKP.AS2
10S	62E	1.862.600.00	P02 18 V CONVERTER POS	5	11	16	0	0	BACKP.AS2
10S	62F		DUMMY CONNECTOR NOT EXISTENT	24	0	24	0	0	BACKP.AS2

 * STUDER REVOX AG * E L E M E N T S U M M A R Y * 91/02/19 * 11:24 * P A G E 21 *
 * 1.862.010.00 D820-48 PCM TAPE - RECORDER * 90/03/21 - 00 *
 * 1.862.612.00 BACKPANEL AS2: A-GR.4 + S-GR.2 *
 ASY 4A ***** CONTINUATION

GRP	ELM	PART NUMBER	DESCRIPTION	UNUSED PINS	USED PINS	TOT. PINS	MULT. PINS	COD. KEYS	REMARK
10S	71		POWER TERMINAL 0 V	0	1	1	0	0	BACKP. AS2
10S	72		POWER TERMINAL +60 V	0	1	1	0	0	BACKP. AS2
10S	73		POWER TERMINAL -18 V	0	1	1	0	0	BACKP. AS2
10S	74		POWER TERMINAL +18 V	0	1	1	0	0	BACKP. AS2
10S	75		POWER TERMINAL +18 V	0	1	1	0	0	BACKP. AS2
10S	76		POWER TERMINAL +18 V	0	1	1	0	0	BACKP. AS2
10S	80		POWER TERMINAL GND	0	1	1	0	0	BACKP. AS2
10S	81		POWER TERMINAL GND	0	1	1	0	0	BACKP. AS2
10S	82		POWER TERMINAL GND	0	1	1	0	0	BACKP. AS2
10S	83		POWER TERMINAL GND	0	1	1	0	0	BACKP. AS2
10S	84		POWER TERMINAL GND	0	1	1	0	0	BACKP. AS2
10S	85		POWER TERMINAL GND	0	1	1	0	0	BACKP. AS2
10S	86		POWER TERMINAL GND	0	1	1	0	0	BACKP. AS2
10S	91		GENERAL BUS ASSY.4	4	30	34	0	0	BACKP. AS2
11	11		MA (MAPRO OUT) A-GR.4/CHANNEL 25-32	0	16	16	0	0	BACKP. AS2
11	12		TA (MAPRO IN) A-GR.4/CHANNEL 25-32	0	16	16	0	0	BACKP. AS2
11	21		DA OUT A-GR.4/CH27,28,31,32	0	16	16	0	0	BACKP. AS2
11	22		DA OUT A-GR.4/CH25,26,29,30	0	16	16	0	0	BACKP. AS2
11	31		AD IN A-GR.4/CHANNEL 29-32	0	16	16	0	0	BACKP. AS2
11	32		AD IN A-GR.4/CHANNEL 25-28	0	16	16	0	0	BACKP. AS2
11	71		RESERVE 16-PIN	16	0	16	0	0	BACKP. AS2
11	72		GENERAL BUS ASSY.4A	1	29	34	0	0	BACKP. AS2
11	72X		DUMMY CONNECTOR NOT EXISTENT	0	0	0	0	0	BACKP. AS2
11	80		POWER TERMINAL GND	0	1	1	0	0	BACKP. AS2
11	81		POWER TERMINAL GND	0	1	1	0	0	BACKP. AS2
11	82		POWER TERMINAL GND	0	1	1	0	0	BACKP. AS2
11	83		POWER TERMINAL GND	0	1	1	0	0	BACKP. AS2
11	84X		EMPTY PAGE	40	0	40	0	0	BACKP. AS2
DISTRIBUTED IN 126 ELM TOTAL :				1036	1785	2821	0	0	

 * STUDER REVOX AG * E L E M E N T S U M M A R Y * 91/02/19 * 11:24 * P A G E 22 *
 * 1.862.010.00 D820-48 PCM TAPE - RECORDER * 90/03/21 - 00 *
 * 1.862.610.00 BACKPANEL AA2: A-GR.5 + A-GR.6 *
 ASY 4B *****

GRP	ELM	PART NUMBER	DESCRIPTION	UNUSED PINS	USED PINS	TOT. PINS	MULT. PINS	COD. KEYS	REMARK
5	11A	1.862.652.00	P01 MAPRO A-GR5 (CH 33-40)	8	24	32	0	0	BACKP. AA2
5	11B	1.862.652.00	P01 MAPRO A-GR5 (CH 33-40)	25	7	32	0	0	BACKP. AA2
5	11C	1.862.652.00	P01 MAPRO A-GR5 (CH 33-40)	0	32	32	0	0	BACKP. AA2
5	12A	1.862.652.00	P02 MAPRO A-GR5 (CH 33-40)	5	27	32	0	0	BACKP. AA2
5	12B	1.862.652.00	P02 MAPRO A-GR5 (CH 33-40)	26	6	32	0	0	BACKP. AA2
5	12C	1.862.652.00	P02 MAPRO A-GR5 (CH 33-40)	5	27	32	0	0	BACKP. AA2
5	21A	1.862.651.00	P01 DA A-GR5 (CH 33-40)	0	32	32	0	0	BACKP. AA2
5	21B	1.862.651.00	P01 DA A-GR5 (CH 33-40)	17	15	32	0	0	BACKP. AA2
5	21C	1.862.651.00	P01 DA A-GR5 (CH 33-40)	0	32	32	0	0	BACKP. AA2
5	22A	1.862.651.00	P02 DA A-GR5 (CH 33-40)	5	27	32	0	0	BACKP. AA2
5	22B	1.862.651.00	P02 DA A-GR5 (CH 33-40)	18	14	32	0	0	BACKP. AA2
5	22C	1.862.651.00	P02 DA A-GR5 (CH 33-40)	5	27	32	0	0	BACKP. AA2
5	31A	1.862.653.00	P01 IO A-GR5 (CH 33-40)	4	28	32	0	0	BACKP. AA2
5	31B	1.862.653.00	P01 IO A-GR5 (CH 33-40)	25	7	32	0	0	BACKP. AA2
5	31C	1.862.653.00	P01 IO A-GR5 (CH 33-40)	4	28	32	0	0	BACKP. AA2
5	32A	1.862.653.00	P02 IO A-GR5 (CH 33-40)	13	19	32	0	0	BACKP. AA2
5	32B	1.862.653.00	P02 IO A-GR5 (CH 33-40)	26	6	32	0	0	BACKP. AA2
5	32C	1.862.653.00	P02 IO A-GR5 (CH 33-40)	13	19	32	0	0	BACKP. AA2
5	41A	1.862.650.00	P01 AD A-GR5 (CH 33-40)	0	32	32	0	0	BACKP. AA2
5	41B	1.862.650.00	P01 AD A-GR5 (CH 33-40)	17	15	32	0	0	BACKP. AA2
5	41C	1.862.650.00	P01 AD A-GR5 (CH 33-40)	8	24	32	0	0	BACKP. AA2
5	42A	1.862.650.00	P02 AD A-GR5 (CH 33-40)	5	27	32	0	0	BACKP. AA2
5	42B	1.862.650.00	P02 AD A-GR5 (CH 33-40)	18	14	32	0	0	BACKP. AA2
5	42C	1.862.650.00	P02 AD A-GR5 (CH 33-40)	5	27	32	0	0	BACKP. AA2
6	11A	1.862.652.00	P01 MAPRO A-GR6 (CH 41-48)	8	24	32	0	0	BACKP. AA2
6	11B	1.862.652.00	P01 MAPRO A-GR6 (CH 41-48)	25	7	32	0	0	BACKP. AA2
6	11C	1.862.652.00	P01 MAPRO A-GR6 (CH 41-48)	0	32	32	0	0	BACKP. AA2
6	12A	1.862.652.00	P02 MAPRO A-GR6 (CH 41-48)	5	27	32	0	0	BACKP. AA2
6	12B	1.862.652.00	P02 MAPRO A-GR6 (CH 41-48)	26	6	32	0	0	BACKP. AA2
6	12C	1.862.652.00	P02 MAPRO A-GR6 (CH 41-48)	5	27	32	0	0	BACKP. AA2
6	21A	1.862.651.00	P01 DA A-GR6 (CH 41-48)	0	32	32	0	0	BACKP. AA2
6	21B	1.862.651.00	P01 DA A-GR6 (CH 41-48)	17	15	32	0	0	BACKP. AA2
6	21C	1.862.651.00	P01 DA A-GR6 (CH 41-48)	0	32	32	0	0	BACKP. AA2
6	22A	1.862.651.00	P02 DA A-GR6 (CH 41-48)	5	27	32	0	0	BACKP. AA2
6	22B	1.862.651.00	P02 DA A-GR6 (CH 41-48)	18	14	32	0	0	BACKP. AA2
6	22C	1.862.651.00	P02 DA A-GR6 (CH 41-48)	5	27	32	0	0	BACKP. AA2
6	31A	1.862.653.00	P01 IO A-GR6 (CH 41-48)	4	28	32	0	0	BACKP. AA2
6	31B	1.862.653.00	P01 IO A-GR6 (CH 41-48)	25	7	32	0	0	BACKP. AA2
6	31C	1.862.653.00	P01 IO A-GR6 (CH 41-48)	4	28	32	0	0	BACKP. AA2
6	32A	1.862.653.00	P02 IO A-GR6 (CH 41-48)	13	19	32	0	0	BACKP. AA2
6	32B	1.862.653.00	P02 IO A-GR6 (CH 41-48)	26	6	32	0	0	BACKP. AA2
6	32C	1.862.653.00	P02 IO A-GR6 (CH 41-48)	13	19	32	0	0	BACKP. AA2
6	41A	1.862.650.00	P01 AD A-GR6 (CH 41-48)	0	32	32	0	0	BACKP. AA2
6	41B	1.862.650.00	P01 AD A-GR6 (CH 41-48)	17	15	32	0	0	BACKP. AA2
6	41C	1.862.650.00	P01 AD A-GR6 (CH 41-48)	8	24	32	0	0	BACKP. AA2
6	42A	1.862.650.00	P02 AD A-GR6 (CH 41-48)	5	27	32	0	0	BACKP. AA2
6	42B	1.862.650.00	P02 AD A-GR6 (CH 41-48)	18	14	32	0	0	BACKP. AA2
6	42C	1.862.650.00	P02 AD A-GR6 (CH 41-48)	5	27	32	0	0	BACKP. AA2
6	52A	1.862.670.00	P02 BTM	13	19	32	0	0	BACKP. AA2

STUDER D820 MCH

 * STUDER REVOX AG * E L E M E N T S U M M A R Y * 91/02/19 * 11:24 * P A G E 23 *

 * 1.862.010.00 D820-48 PCM TAPE - RECORDER * 90/03/21 - 00 *

 ASY 4B 1.862.610.00 BACKPANEL AA2: A-GR.5 + A-GR.6 <-- <-- <-- CONTINUATION

GRP	ELM	PART NUMBER	DESCRIPTION	UNUSED PINS	USED PINS	TOT. PINS	MULT. PINS	COD. KEYS	REMARK
6	52B	1.862.670.00	P02 BTM	26	6	32	0	0	BACKP. AA2
6	52C	1.862.670.00	P02 BTM	13	19	32	0	0	BACKP. AA2
10	11		MA (MAPRO OUT) A-GR.5/CHANNEL 33-40	0	16	16	0	0	BACKP. AA2
10	12		TA (MAPRO IN) A-GR.5/CHANNEL 33-40	0	16	16	0	0	BACKP. AA2
10	21		DA OUT A-GR.5/CH35,36,39,40	0	16	16	0	0	BACKP. AA2
10	22		DA OUT A-GR.5/CH33,34,37,38	0	16	16	0	0	BACKP. AA2
10	31		AD IN A-GR.5/CHANNEL 37-40	0	16	16	0	0	BACKP. AA2
10	32		AD IN A-GR.5/CHANNEL 33-36	0	16	16	0	0	BACKP. AA2
10	41		IO A-GR.5+6/CHANNEL 33-48	0	16	16	0	0	BACKP. AA2
10	71		RESERVE 16-PIN	16	0	16	0	0	BACKP. AA2
10	72		GENERAL BUS ASSY.4B	5	29	34	0	0	BACKP. AA2
10	72X		DUMMY CONNECTOR NOT EXISTENT	1	0	1	0	0	
10	80		POWER-TERMINAL GND	0	1	1	0	0	BACKP. AA2
10	81		POWER-TERMINAL GND	0	1	1	0	0	BACKP. AA2
10	82		POWER-TERMINAL GND	0	1	1	0	0	BACKP. AA2
10	83		POWER-TERMINAL GND	0	1	1	0	0	BACKP. AA2
10	84		POWER-TERMINAL GND	0	1	1	0	0	BACKP. AA2
11	11		MA (MAPRO OUT) A-GR.6/CHANNEL 41-48	0	16	16	0	0	BACKP. AA2
11	12		TA (MAPRO IN) A-GR.6/CHANNEL 41-48	0	16	16	0	0	BACKP. AA2
11	21		DA OUT A-GR.6/CH43,44,47,48	0	16	16	0	0	BACKP. AA2
11	22		DA OUT A-GR.6/CH41,42,45,46	0	16	16	0	0	BACKP. AA2
11	31		AD IN A-GR.6/CHANNEL 45-48	0	16	16	0	0	BACKP. AA2
11	32		AD IN A-GR.6/CHANNEL 41-44	0	16	16	0	0	BACKP. AA2
11	61A	1.862.601.00	5V CONVERTER 4B	2	14	16	0	0	BACKP. AA2
11	61B		DUMMY CONNECTOR NOT EXISTENT	16	0	16	0	0	
11	61C	1.862.601.00	5V CONVERTER 4B	16	15	16	0	0	BACKP. AA2
11	61D		DUMMY CONNECTOR NOT EXISTENT	16	0	16	0	0	
11	61E	1.862.601.00	5V CONVERTER 4B	0	16	16	0	0	BACKP. AA2
11	61F		DUMMY CONNECTOR NOT EXISTENT	16	0	16	0	0	
11	62A	1.862.601.00	5V CONVERTER 4A	2	14	16	0	0	BACKP. AA2
11	62B		DUMMY CONNECTOR NOT EXISTENT	16	0	16	0	0	
11	62C	1.862.601.00	5V CONVERTER 4A	1	15	16	0	0	BACKP. AA2
11	62D		DUMMY CONNECTOR NOT EXISTENT	16	0	16	0	0	
11	62E	1.862.601.00	5V CONVERTER 4A	0	16	16	0	0	BACKP. AA2
11	62F		DUMMY CONNECTOR NOT EXISTENT	24	0	24	0	0	
11	71		POWER-TERMINAL 0 V	0	1	1	0	0	BACKP. AA2
11	72		POWER-TERMINAL +60 V	0	1	1	0	0	BACKP. AA2
11	73		POWER-TERMINAL + 5 V 4B	0	1	1	0	0	BACKP. AA2
11	74		POWER-TERMINAL 0 V	0	1	1	0	0	BACKP. AA2
11	75		POWER-TERMINAL +60 V	0	1	1	0	0	BACKP. AA2
11	76		POWER-TERMINAL + 5 V 4A	0	1	1	0	0	BACKP. AA2
11	77		POWER-TERMINAL -18 V	0	1	1	0	0	BACKP. AA2
11	78		POWER-TERMINAL +18 V	0	1	1	0	0	BACKP. AA2
11	80		POWER-TERMINAL GND	0	1	1	0	0	BACKP. AA2
11	81		POWER-TERMINAL GND	0	1	1	0	0	BACKP. AA2
11	82		POWER-TERMINAL GND	0	1	1	0	0	BACKP. AA2
11	83		POWER-TERMINAL GND	0	1	1	0	0	BACKP. AA2
11	99		EMPTY PAGE	50	0	50	0	0	
DISTRIBUTED IN 97 ELM TOTAL :				738	1420	2158	0	0	

 * STUDER REVOX AG * E L E M E N T S U M M A R Y * 91/02/19 * 11:24 * P A G E 24 *

 * 1.862.010.00 D820-48 PCM TAPE - RECORDER * 90/03/21 - 00 *

 ASY 5A 1.862.000.00 CONNECTOR-PANEL (6* ANCONC)

GRP	ELM	PART NUMBER	DESCRIPTION	UNUSED PINS	USED PINS	TOT. PINS	MULT. PINS	COD. KEYS	REMARK
1	1		ANALOG AUDIO OUT A-GR.1/CH 1- 8	4	26	30	0	0	ANCONC 1
1	2		ANALOG AUDIO IN A-GR.1/CH 1- 8	4	26	30	0	0	ANCONC 1
1	2X		DUMMY CONNECTOR NOT EXISTENT 30PIN	30	0	30	0	0	
1	11		DA OUT A-GR.1/CH 3, 4, 7, 8	0	16	16	0	0	ANCONC 1
1	12		DA OUT A-GR.1/CH 1, 2, 5, 6	0	16	16	0	0	ANCONC 1
1	21		AD IN A-GR.1/CHANNEL 5- 8	0	16	16	0	0	ANCONC 1
1	22		AD IN A-GR.1/CHANNEL 1- 4	0	16	16	0	0	ANCONC 1
1	22X		DUMMY CONNECTOR NOT EXISTENT 1PIN	1	0	1	0	0	
1	32		POWER TERMINAL GND	0	1	1	0	0	ANCONC 1
1	33		POWER TERMINAL GND	0	1	1	0	0	ANCONC 1
2	1		ANALOG AUDIO OUT A-GR.2/CH 9-16	4	26	30	0	0	ANCONC 2
2	2		ANALOG AUDIO IN A-GR.2/CH 9-16	4	26	30	0	0	ANCONC 2
2	2X		DUMMY CONNECTOR NOT EXISTENT 30PIN	30	0	30	0	0	
2	11		DA OUT A-GR.2/CH11,12,15,16	0	16	16	0	0	ANCONC 2
2	12		DA OUT A-GR.2/CH 9,10,13,14	0	16	16	0	0	ANCONC 2
2	21		AD IN A-GR.2/CHANNEL 13-16	0	16	16	0	0	ANCONC 2
2	22		AD IN A-GR.2/CHANNEL 9-12	0	16	16	0	0	ANCONC 2
2	22X		DUMMY CONNECTOR NOT EXISTENT 1PIN	1	0	1	0	0	
2	32		POWER TERMINAL GND	0	1	1	0	0	ANCONC 2
2	33		POWER TERMINAL GND	0	1	1	0	0	ANCONC 2
3	1		ANALOG AUDIO OUT A-GR.3/CH 17-24	4	26	30	0	0	ANCONC 3
3	2		ANALOG AUDIO IN A-GR.3/CH 17-24	4	26	30	0	0	ANCONC 3
3	2X		DUMMY CONNECTOR NOT EXISTENT 30PIN	30	0	30	0	0	
3	11		DA OUT A-GR.3/CH19,20,23,24	0	16	16	0	0	ANCONC 3
3	12		DA OUT A-GR.3/CH17,18,21,22	0	16	16	0	0	ANCONC 3
3	21		AD IN A-GR.3/CHANNEL 21-24	0	16	16	0	0	ANCONC 3
3	22		AD IN A-GR.3/CHANNEL 17-20	0	16	16	0	0	ANCONC 3
3	22X		DUMMY CONNECTOR NOT EXISTENT 1PIN	1	0	1	0	0	
3	32		POWER TERMINAL GND	0	1	1	0	0	ANCONC 3
3	33		POWER TERMINAL GND	0	1	1	0	0	ANCONC 3
4	1		ANALOG AUDIO OUT A-GR.4/CH 25-32	4	26	30	0	0	ANCONC 4
4	2		ANALOG AUDIO IN A-GR.4/CH 25-32	4	26	30	0	0	ANCONC 4
4	2X		DUMMY CONNECTOR NOT EXISTENT 30PIN	30	0	30	0	0	
4	11		DA OUT A-GR.4/CH27,28,31,32	0	16	16	0	0	ANCONC 4
4	12		DA OUT A-GR.4/CH25,26,29,30	0	16	16	0	0	ANCONC 4
4	21		AD IN A-GR.4/CHANNEL 29-32	0	16	16	0	0	ANCONC 4
4	22		AD IN A-GR.4/CHANNEL 25-28	0	16	16	0	0	ANCONC 4
4	22X		DUMMY CONNECTOR NOT EXISTENT 1PIN	1	0	1	0	0	
4	32		POWER TERMINAL GND	0	1	1	0	0	ANCONC 4
4	33		POWER TERMINAL GND	0	1	1	0	0	ANCONC 4
5	1		ANALOG AUDIO OUT A-GR.5/CH 33-40	4	26	30	0	0	ANCONC 5
5	2		ANALOG AUDIO IN A-GR.5/CH 33-40	4	26	30	0	0	ANCONC 5
5	2X		DUMMY CONNECTOR NOT EXISTENT 30PIN	30	0	30	0	0	
5	11		DA OUT A-GR.5/CH35,36,39,40	0	16	16	0	0	ANCONC 5
5	12		DA OUT A-GR.5/CH33,34,37,38	0	16	16	0	0	ANCONC 5
5	21		AD IN A-GR.5/CHANNEL 37-40	0	16	16	0	0	ANCONC 5

 * STUDER REVOX AG * E L E M E N T S U M M A R Y * 91/02/19 * 11:24 * P A G E 25 *
 * 1.862.010.00 D820-48 PCM TAPE - RECORDER * 90/03/21 - 00 *
 * 1.862.000.00 CONNECTOR-PANEL (6* ANCONC) <-- <-- <-- CONTINUATION
 ASY 5A

GRP	ELM	PART NUMBER	DESCRIPTION	UNUSED PINS	USED PINS	TOT. PINS	MULT. PINS	COD. KEYS	REMARK
5	22		AD IN A-GR.5/CHANNEL 33-36	0	16	16	0	0	ANCONC 5
5	22X		DUMMY CONNECTOR NOT EXISTENT 1PIN	1	0	1	0	0	
5	32		POWER TERMINAL GND	0	1	1	0	0	ANCONC 5
5	33		POWER TERMINAL GND	0	1	1	0	0	ANCONC 5
6	1		ANALOG AUDIO OUT A-GR.6/CH 41-48	4	26	30	0	0	ANCONC 6
6	2		ANALOG AUDIO IN A-GR.6/CH 41-48	4	26	30	0	0	ANCONC 6
6	2X		DUMMY CONNECTOR NOT EXISTENT 30PIN	30	0	30	0	0	
6	11		DA OUT A-GR.6/CH43,44,47,48	0	16	16	0	0	ANCONC 6
6	12		DA OUT A-GR.6/CH41,42,45,46	0	16	16	0	0	ANCONC 6
6	21		AD IN A-GR.6/CHANNEL 45-48	0	16	16	0	0	ANCONC 6
6	22		AD IN A-GR.6/CHANNEL 41-44	0	16	16	0	0	ANCONC 6
6	22X		DUMMY CONNECTOR NOT EXISTENT 1PIN	1	0	1	0	0	
6	32		POWER TERMINAL GND	0	1	1	0	0	ANCONC 6
6	33		POWER TERMINAL GND	0	1	1	0	0	ANCONC 6
DISTRIBUTED IN 60 ELM TOTAL :				234	708	942	0	0	

 * STUDER REVOX AG * E L E M E N T S U M M A R Y * 91/02/19 * 11:24 * P A G E 26 *
 * 1.862.010.00 D820-48 PCM TAPE - RECORDER * 90/03/21 - 00 *
 * 1.862.000.00 CONNECTOR-PANEL (2* DICONC)
 ASY 5B

GRP	ELM	PART NUMBER	DESCRIPTION	UNUSED PINS	USED PINS	TOT. PINS	MULT. PINS	COD. KEYS	REMARK
1	1		DIG. AUDIO IN 50POL/M CH 1-24	2	48	50	0	0	DICONC 1
1	1X		DUMMY CONNECTOR NOT EXISTENT 46PIN	46	0	46	0	0	
1	2		DIG. AUDIO OUT 50POL/F CH 1-24	2	48	50	0	0	DICONC 1
1	2X		DUMMY CONNECTOR NOT EXISTENT 46PIN	46	0	46	0	0	
1	11		MIO A IN/2 CHANNEL 14-24	4	22	26	0	0	DICONC 1
1	12		MIO A IN/1 CHANNEL 1-13	0	26	26	0	0	DICONC 1
1	12X		DUMMY CONNECTOR NOT EXISTENT 26PIN	26	0	26	0	0	
1	21		MIO A OUT/2 CHANNEL 14-24	4	22	26	0	0	DICONC 1
1	22		MIO A OUT/1 CHANNEL 1-13	0	26	26	0	0	DICONC 1
1	22X		DUMMY CONNECTOR NOT EXISTENT 26PIN	26	0	26	0	0	
2	1		DIG. AUDIO IN 50POL/M CH 25-48	2	48	50	0	0	DICONC 2
2	1X		DUMMY CONNECTOR NOT EXISTENT 46PIN	46	0	46	0	0	
2	2		DIG. AUDIO OUT 50POL/F CH 25-48	2	48	50	0	0	DICONC 2
2	2X		DUMMY CONNECTOR NOT EXISTENT 46PIN	46	0	46	0	0	
2	11		MIO B IN/2 CHANNEL 38-48	4	22	26	0	0	DICONC 2
2	12		MIO B IN/1 CHANNEL 25-37	0	26	26	0	0	DICONC 2
2	12X		DUMMY CONNECTOR NOT EXISTENT 26PIN	26	0	26	0	0	
2	21		MIO B OUT/2 CHANNEL 38-48	4	22	26	0	0	DICONC 2
2	22		MIO B OUT/1 CHANNEL 25-37	0	26	26	0	0	DICONC 2
2	22X		DUMMY CONNECTOR NOT EXISTENT 26PIN	26	0	26	0	0	
DISTRIBUTED IN 20 ELM TOTAL :				312	384	696	0	0	

 * STUDER REVOX AG * E L E M E N T S U M M A R Y * 91/02/19 * 11:24 * P A G E 27 *
 * 1.862.010.00 D820-48 PCM TAPE - RECORDER * 90/03/21 - 00 *
 * 1.862.000.00 CONNECTOR-PANEL (MICONC)
 ASY 5C

GRP	ELM	PART NUMBER	DESCRIPTION	UNUSED PINS	USED PINS	TOT. PINS	MULT. PINS	COD. KEYS	REMARK
1	1		AES/EBU IN XLR/F	0	4	4	0	0	MICONC
1	2		AES/EBU OUT XLR/M	0	4	4	0	0	MICONC
1	11		AES 2-CHANNEL INTERFACE	6	4	10	0	0	MICONC
2	1		MADI IN BNC	0	2	2	0	0	MICONC
2	2		MADI OUT BNC	0	2	2	0	0	MICONC
2	11		MADI DATA IN (BNC)	0	2	2	0	0	MICONC
2	12		MADI DATA OUT (BNC)	0	2	2	0	0	MICONC
3	1		EXT. TC IN XLR/F	0	4	4	0	0	MICONC
3	2		EXT. TC OUT XLR/M	0	4	4	0	0	MICONC
3	3		TC OUT XLR/M	0	4	4	0	0	MICONC
3	4		EXT. RT IN BNC	0	2	2	0	0	MICONC
3	5		EXT. RT OUT BNC	0	2	2	0	0	MICONC
3	6		TAPE RT OUT BNC	0	2	2	0	0	MICONC
3	7		TC BIPHASE IN 5POL XLR/F	0	6	6	0	0	MICONC
3	8	51.01.0107	FUSE 0,1AT 5*20 MM	0	2	2	0	0	MICONC
3	11		SSTC + RT IN/OUT	2	8	10	0	0	MICONC
4	1		CUE 1 IN XLR/F	0	4	4	0	0	MICONC
4	2		CUE 1 OUT XLR/M	0	4	4	0	0	MICONC
4	3		CUE 2 IN XLR/F	0	4	4	0	0	MICONC
4	4		CUE 2 OUT XLR/M	0	4	4	0	0	MICONC
4	11		CUE IN/OUT	0	16	16	0	0	MICONC
5	1		WORD CLOCK IN BNC	0	2	2	0	0	MICONC
5	2		WORD CLOCK OUT BNC	0	2	2	0	0	MICONC
5	3		SECTOR CLOCK IN BNC	0	2	2	0	0	MICONC
5	4		SECTOR CLOCK OUT BNC	0	2	2	0	0	MICONC
5	5		VIDEO SYNC IN BNC	0	2	2	0	0	MICONC
5	6		VIDEO SYNC OUT BNC	0	2	2	0	0	MICONC
5	7		SQUARE WAVE IN BNC	0	2	2	0	0	MICONC
5	8		SQUARE WAVE OUT BNC	0	2	2	0	0	MICONC
5	11		CLOCK BOARD IN/OUT	0	16	16	0	0	MICONC
5	12		VIDEO SYNC (BNC)	0	2	2	0	0	MICONC
6	1		REM BUS 9POL D-SUB/F	0	9	9	0	0	MICONC
6	2		REM BUS 9POL D-SUB/F	0	9	9	0	0	MICONC
6	11		PIF REM-BUS	0	10	10	0	0	MICONC
7	1		LEVEL DISPLAY 9POL D-SUB/F	1	8	9	0	0	MICONC
7	11		PIF SERBUS EXTERN	2	8	10	0	0	MICONC
8	1		MASTER TALLIES 9POL D-SUB/F	0	9	9	0	0	MICONC
8	11		SSTC MASTER TALLIES	4	6	10	0	0	MICONC
9	1		ES-BUS ONLY 9POL D-SUB/F	1	8	9	0	0	MICONC
9	2		ES-BUS/RS 232 9POL D-SUB/F	1	8	9	0	0	MICONC
9	11		PIF SMPTE/EBU	2	8	10	0	0	MICONC

STUDER D820 MCH

 * STUDER REVOX AG * E L E M E N T S U M M A R Y * 91/02/19 * 11:24 * PAGE 28 *

 * 1.862.010.00 D820-48 PCM TAPE - RECORDER * 90/03/21 - 00 *

 ASY 5C 1.862.000.00 CONNECTOR-PANEL (MICONC) <-- <-- <-- CONTINUATION

GRP	ELM	PART NUMBER	DESCRIPTION	UNUSED PINS	USED PINS	TOT.PINS	MULT.PINS	COD.KEYS	REMARK
10	11		0V/60V	0	2	2	0	0	MICONC
10	12		POWER TERMINAL + 5 V 3B	0	1	1	0	0	MICONC
10	13		POWER TERMINAL GND	0	1	1	0	0	MICONC
10	14		D1 IN 5402 (3000MA)	0	2	2	0	0	MICONC
10	15		D2 IN 5402 (3000MA)	0	2	2	0	0	MICONC
10	16		D3 IN 5402 (3000MA)	0	2	2	0	0	MICONC
10	17		C1 ** NOT USED **	0	2	2	0	0	MICONC

DISTRIBUTED IN 48 ELM				TOTAL :	19	215	234	0	0

 * STUDER REVOX AG * E L E M E N T S U M M A R Y * 91/02/19 * 11:24 * PAGE 29 *

 * 1.862.010.00 D820-48 PCM TAPE - RECORDER * 90/03/21 - 00 *

 ASY 5D 1.862.000.00 TD & HD-INTERFACE

GRP	ELM	PART NUMBER	DESCRIPTION	UNUSED PINS	USED PINS	TOT.PINS	MULT.PINS	COD.KEYS	REMARK
1	1		TA (MAPRO IN) A-GR.1/CHANNEL 1- 8	0	16	16	0	0	TD&HD-IF
1	2		MA (MAPRO OUT) A-GR.1/CHANNEL 1- 8	0	16	16	0	0	TD&HD-IF
1	3		TA (MAPRO IN) A-GR.4/CHANNEL 25-32	0	16	16	0	0	TD&HD-IF
1	4		MA (MAPRO OUT) A-GR.4/CHANNEL 25-32	0	16	16	0	0	TD&HD-IF
1	5		CUE PDM (TO TD)	6	4	10	0	0	TD&HD-IF
1	6		PIF SSDA	0	10	10	0	0	TD&HD-IF
1	7		CUE ANALOG (FROM TD)	3	6	9	0	0	TD&HD-IF
1	8		RT+TC DATA (TO TD)	2	8	10	0	0	TD&HD-IF
1	9		PIF SERBUS INTERN	2	8	10	0	0	TD&HD-IF
1	10		CLOCK-CONNECTOR	2	24	26	0	0	TD&HD-IF
1	11		PIF TDC-BUS	0	40	40	0	0	TD&HD-IF
1	12		GND	0	1	1	0	0	TD&HD-IF
1	13		SHELL	0	1	1	0	0	TD&HD-IF

2	1		TA (MAPRO IN) A-GR.2/CHANNEL 9-16	0	16	16	0	0	TD&HD-IF
2	2		MA (MAPRO OUT) A-GR.2/CHANNEL 9-16	0	16	16	0	0	TD&HD-IF
2	3		TA (MAPRO IN) A-GR.3/CHANNEL 17-24	0	16	16	0	0	TD&HD-IF
2	4		MA (MAPRO OUT) A-GR.3/CHANNEL 17-24	0	16	16	0	0	TD&HD-IF
2	5		TA (MAPRO IN) A-GR.5/CHANNEL 33-40	0	16	16	0	0	TD&HD-IF
2	6		MA (MAPRO OUT) A-GR.5/CHANNEL 33-40	0	16	16	0	0	TD&HD-IF
2	7		TA (MAPRO IN) A-GR.6/CHANNEL 41-48	0	16	16	0	0	TD&HD-IF
2	8		MA (MAPRO OUT) A-GR.6/CHANNEL 41-48	0	16	16	0	0	TD&HD-IF
2	9		GND	0	1	1	0	0	TD&HD-IF
2	10		SHELL	0	1	1	0	0	TD&HD-IF
2	99		DUMMY CONNECTOR NOT EXISTENT 50PIN	50	0	50	0	0	

DISTRIBUTED IN 24 ELM				TOTAL :	65	296	361	0	0

 * STUDER REVOX AG * E L E M E N T S U M M A R Y * 91/02/19 * 11:24 * PAGE 30 *

 * 1.862.010.00 D820-48 PCM TAPE - RECORDER * 90/03/21 - 00 *

 ASY 6A 1.862.000.00 DISPLAY-PANEL AUX & A-GR.5, 6

GRP	ELM	PART NUMBER	DESCRIPTION	UNUSED PINS	USED PINS	TOT.PINS	MULT.PINS	COD.KEYS	REMARK
1	1		BACKPANEL EXTENSION CONNECTION	2	38	40	0	0	DISPLAYP.
1	2		PIF SERBUS INTERN	2	8	10	0	0	DISPLAYP.
1	3		0V/60V	0	2	2	0	0	DISPLAYP.
1	4		0V/5V OUT ** NOT USED **	1	2	3	0	0	DISPLAYP.
1	4X		DUMMY CONNECTOR NOT EXISTENT 40PIN	40	0	40	0	0	

2	1A	1.862.812.00	DP KEY DETECTION AUX	1	31	32	0	0	DISPLAYP.
2	1B	1.862.812.00	DP KEY DETECTION AUX	15	17	32	0	0	DISPLAYP.
2	1C	1.862.812.00	DP KEY DETECTION AUX	7	31	32	0	0	DISPLAYP.
2	13A	1.862.815.00	DP MICROPROCESSOR	7	25	32	0	0	DISPLAYP.
2	13B	1.862.815.00	DP MICROPROCESSOR	12	20	32	0	0	DISPLAYP.
2	13C	1.862.815.00	DP MICROPROCESSOR	8	24	32	0	0	DISPLAYP.
2	14A	1.862.811.00	DP AUXILIARY KEYS AUX	9	23	32	0	0	DISPLAYP.
2	14B	1.862.811.00	DP AUXILIARY KEYS AUX	22	10	32	0	0	DISPLAYP.
2	14C	1.862.811.00	DP AUXILIARY KEYS AUX	11	21	32	0	0	DISPLAYP.

3	1A	1.862.812.00	DP KEY DETECTION A-GR.5+6	1	31	32	0	0	DISPLAYP.
3	1B	1.862.812.00	DP KEY DETECTION A-GR.5+6	15	17	32	0	0	DISPLAYP.
3	1C	1.862.812.00	DP KEY DETECTION A-GR.5+6	7	31	32	0	0	DISPLAYP.
3	11A	1.862.813.00	DP CHANNEL KEYS + LEV A-GR.5	9	23	32	0	0	DISPLAYP.
3	11B	1.862.813.00	DP CHANNEL KEYS + LEV A-GR.5	22	10	32	0	0	DISPLAYP.
3	11C	1.862.813.00	DP CHANNEL KEYS + LEV A-GR.5	10	22	32	0	0	DISPLAYP.
3	12A	1.862.813.00	DP CHANNEL KEYS + LEV A-GR.6	9	23	32	0	0	DISPLAYP.
3	12B	1.862.813.00	DP CHANNEL KEYS + LEV A-GR.6	22	10	32	0	0	DISPLAYP.
3	12C	1.862.813.00	DP CHANNEL KEYS + LEV A-GR.6	10	22	32	0	0	DISPLAYP.

4	1	57.88.4332	Z 1 8 * 3.3 K	0	9	9	0	0	DISPLAYP.
4	2		Z 2 ** NOT USED **	0	9	9	0	0	DISPLAYP.
4	3	57.88.4332	Z 3 8 * 3.3 K	1	8	9	0	0	DISPLAYP.
4	4		Z 4 ** NOT USED **	1	8	9	0	0	DISPLAYP.
4	5		R 5 ** NOT USED **	0	2	2	0	0	DISPLAYP.
4	6		R 6 ** NOT USED **	0	2	2	0	0	DISPLAYP.
4	7		R 7 ** NOT USED **	0	2	2	0	0	DISPLAYP.
4	8		R 8 ** NOT USED **	0	2	2	0	0	DISPLAYP.
4	9		R 9 ** NOT USED **	0	2	2	0	0	DISPLAYP.
4	10		R10 ** NOT USED **	0	2	2	0	0	DISPLAYP.

DISTRIBUTED IN 33 ELM				TOTAL :	232	487	719	0	0

 * STUDER REVOX AG * E L E M E N T S U M M A R Y * 91/02/19 * 11:24 * P A G E 31 *

 * 1.862.010.00 D820-48 PCM TAPE - RECORDER * 90/03/21 - 00 *

 ASY 6B 1.862.000.00 DISPLAY-PANEL A-GR.1, 2, 3, 4

GRP	ELM	PART NUMBER	DESCRIPTION	UNUSED PINS	USED PINS	TOT.PINS	MULT.PINS	COD.KEYS	REMARK
1	1A	1.862.812.00	DP KEY DETECTION	1	31	32	0	0	DISPLAYP.
1	1B	1.862.812.00	DP KEY DETECTION	15	17	32	0	0	DISPLAYP.
1	1C	1.862.812.00	DP KEY DETECTION	1	31	32	0	0	DISPLAYP.
1	11A	1.862.813.00	DP CHANNEL KEYS + LEV	9	23	32	0	0	DISPLAYP.
1	11B	1.862.813.00	DP CHANNEL KEYS + LEV	22	10	32	0	0	DISPLAYP.
1	11C	1.862.813.00	DP CHANNEL KEYS + LEV	10	22	32	0	0	DISPLAYP.
1	12A	1.862.813.00	DP CHANNEL KEYS + LEV	9	23	32	0	0	DISPLAYP.
1	12B	1.862.813.00	DP CHANNEL KEYS + LEV	22	10	32	0	0	DISPLAYP.
1	12C	1.862.813.00	DP CHANNEL KEYS + LEV	10	22	32	0	0	DISPLAYP.

2	1A	1.862.812.00	DP KEY DETECTION	1	31	32	0	0	DISPLAYP.
2	1B	1.862.812.00	DP KEY DETECTION	15	17	32	0	0	DISPLAYP.
2	1C	1.862.812.00	DP KEY DETECTION	1	31	32	0	0	DISPLAYP.
2	11A	1.862.813.00	DP CHANNEL KEYS + LEV	9	23	32	0	0	DISPLAYP.
2	11B	1.862.813.00	DP CHANNEL KEYS + LEV	22	10	32	0	0	DISPLAYP.
2	11C	1.862.813.00	DP CHANNEL KEYS + LEV	10	22	32	0	0	DISPLAYP.
2	12A	1.862.813.00	DP CHANNEL KEYS + LEV	9	23	32	0	0	DISPLAYP.
2	12B	1.862.813.00	DP CHANNEL KEYS + LEV	22	10	32	0	0	DISPLAYP.
2	12C	1.862.813.00	DP CHANNEL KEYS + LEV	10	22	32	0	0	DISPLAYP.

3	1		BACKPANEL EXTENSION CONNECTION	2	38	40	0	0	DISPLAYP.

4	1	57.88.4332	Z 1 8 * 3.3 K	0	9	9	0	0	DISPLAYP.
4	2		Z 2 ** NOT USED **	0	9	9	0	0	DISPLAYP.
4	3	57.88.4332	Z 3 8 * 3.3 K	1	8	9	0	0	DISPLAYP.
4	4		Z 4 ** NOT USED **	1	8	9	0	0	DISPLAYP.
4	5		R 5 ** NOT USED **	0	2	2	0	0	DISPLAYP.
4	6		R 6 ** NOT USED **	0	2	2	0	0	DISPLAYP.
4	7		R 7 ** NOT USED **	0	2	2	0	0	DISPLAYP.
4	8		R 8 ** NOT USED **	0	2	2	0	0	DISPLAYP.

DISTRIBUTED IN 27 ELM TOTAL :				202	458	660	0	0	

 * STUDER REVOX AG * E L E M E N T S U M M A R Y * 91/02/19 * 11:24 * P A G E 32 *

 * 1.862.010.00 D820-48 PCM TAPE - RECORDER * 90/03/21 - 00 *

 ASY 7 1.862.620.00 POWER SUPPLY MCH PCM

GRP	ELM	PART NUMBER	DESCRIPTION	UNUSED PINS	USED PINS	TOT.PINS	MULT.PINS	COD.KEYS	REMARK
1	1	54.42.0026	POWER LINE INPUT	0	3	3	0	0	
1	2	54.33.6007	GROUND	3	3	6	0	0	
1	3	55.17.5003	POWER SWITCH	0	4	4	0	0	
1	4		CONTROL LAMP (POWER SWITCH)	0	2	2	0	0	
1	5	54.42.1055	POWER SUPPLY INPUT	0	3	3	0	0	

2	1	54.42.0026	LINE INPUT	0	3	3	0	0	
2	2	54.33.6007	GROUND	5	1	6	0	0	

3	1	50.25.0003	LINE INPUT	0	3	3	0	0	
3	2	50.25.0003	LINE AUXILIARY	0	3	3	0	0	
3	3	50.25.0003	LINE OUTPUT	0	3	3	0	0	
3	4		TO POWER FAIL CONTROL CONNECTOR	7	3	10	0	0	
3	5	54.25.0308	AC CONTROL CONNECTOR	3	5	8	0	0	

4	1		PRIMARY DISTRIBUTOR	22	10	32	0	0	
4	2		SECONDARY DISTRIBUTOR	14	6	20	0	0	

5	1		PRIMARY DISTRIBUTOR	22	10	32	0	0	
5	2		SECONDARY DISTRIBUTOR	14	6	20	0	0	

6	1		PRIMARY DISTRIBUTOR	22	10	32	0	0	
6	2		SECONDARY DISTRIBUTOR	14	6	20	0	0	

7	1		PRIMARY DISTRIBUTOR	22	10	32	0	0	
7	2		SECONDARY DISTRIBUTOR	14	6	20	0	0	

8	1		PRIMARY DISTRIBUTOR	22	10	32	0	0	
8	2		SECONDARY DISTRIBUTOR	14	6	20	0	0	

9	1	70.01.0232	RECTIFIER	0	4	4	0	0	
9	2	70.01.0232	RECTIFIER	0	4	4	0	0	
9	3	70.01.0232	RECTIFIER	0	4	4	0	0	
9	4	70.01.0232	RECTIFIER	0	4	4	0	0	
9	5	70.01.0232	RECTIFIER	0	4	4	0	0	
9	6	70.01.0232	RECTIFIER	0	4	4	0	0	
9	7	70.01.0232	RECTIFIER	0	4	4	0	0	
9	8	70.01.0232	RECTIFIER	0	4	4	0	0	
9	9	70.01.0232	RECTIFIER	0	4	4	0	0	
9	10	70.01.0232	RECTIFIER	0	4	4	0	0	

10	1	59.07.0004	CAPACITOR	0	2	2	0	0	
10	2	59.07.0004	CAPACITOR	0	2	2	0	0	
10	3	59.07.0004	CAPACITOR	0	2	2	0	0	
10	4	59.07.0004	CAPACITOR	0	2	2	0	0	
10	5	54.25.0308	AC CONTROL CONNECTOR	3	5	8	0	0	
10	6	57.59.4152	RESISTOR 1.5 K / 7 W	0	2	2	0	0	
10	7	57.59.4152	RESISTOR 1.5 K / 7 W	0	2	2	0	0	

11	1	53.03.0121	FUSE HOLDER / FUSE 16AT SLOW.B. F1	0	2	2	0	0	

STUDER D820 MCH

```

*****
*   STUDER REVOX AG   *   E L E M E N T   S U M M A R Y   *   91/02/19 * 11:24 * P A G E 33 *
*****
*   1.862.010.00 D820-48 PCM TAPE - RECORDER *   90/03/21 - 00 *
*****
ASY 7 1.862.620.00 POWER SUPPLY MCH PCM <-- <-- <-- CONTINUATION

```

GRP	ELM	PART NUMBER	DESCRIPTION	UNUSED PINS	USED PINS	TOT.PINS	MULT.PINS	COD.KEYS	REMARK
11	2	53.03.0121	FUSE HOLDER / FUSE 16AT SLOW.B. F2	0	2	2	0	0	
11	3	53.03.0121	FUSE HOLDER / FUSE 16AT SLOW.B. F3	0	2	2	0	0	
11	4	53.03.0110	FUSE HOLDER / FUSE 6.3AT SLOW.B. F4	0	2	2	0	0	
11	5	53.03.0110	FUSE HOLDER / FUSE 6.3AT SLOW.B. F5	0	2	2	0	0	
11	6	53.03.0110	FUSE HOLDER / FUSE 6.3AT SLOW.B. F6	0	2	2	0	0	
11	7	53.03.0110	FUSE HOLDER / FUSE 6.3AT SLOW.B. F7	0	2	2	0	0	
11	8	53.03.0110	FUSE HOLDER / FUSE 6.3AT SLOW.B. F8	0	2	2	0	0	
11	9	53.03.0110	FUSE HOLDER / FUSE 6.3AT SLOW.B. F9	0	2	2	0	0	
11	10	53.03.0110	FUSE HOLDER / FUSE 6.3AT SLOW.B. F10	0	2	2	0	0	
11	11	53.03.0110	FUSE HOLDER / FUSE 6.3AT SLOW.B. F11	0	2	2	0	0	
12	1	54.25.0308	DC OUTPUT TO TAPE DECK	1	7	8	0	0	
12	2	54.25.0302	DC OUTPUT TO 18V CONVERTER NEG	0	2	2	0	0	
12	3	54.25.0302	DC OUTPUT TO 5V CONVERTER 3B	0	2	2	0	0	
12	4	54.25.0302	DC OUTPUT TO 5V CONVERTER 3A	0	2	2	0	0	
12	5	54.25.0302	DC OUTPUT TO 18V CONVERTER POS	0	2	2	0	0	
12	6	54.25.0302	DC OUTPUT TO 5V CONVERTER 4B	0	2	2	0	0	
12	7	54.25.0302	DC OUTPUT TO 5V CONVERTER 4A	0	2	2	0	0	
12	8	54.25.0302	DC OUTPUT TO REMOTE	0	2	2	0	0	
12	9	54.25.0302	DC OUTPUT TO DISPLAY PANEL	0	2	2	0	0	
12	10		POWER FAIL CONTROL CONNECTOR	7	3	10	0	0	
DISTRIBUTED IN 60 ELM TOTAL :				209	221	430	0	0	

 * STUDER REVOX AG * L O C A T I O N P I N L I S T * 91/02/19 * 11:24 * P A G E 34 *

 * 1.862.010.00 D820-48 PCM TAPE - RECORDER * 90/03/21 - 00 *

 ASY 1 1.862.100.00 TAPE DECK PCM - MCH

GRP 1
 CONNECTIONS PANEL LEFT
 =====

ELM 1
 AUDIO DATA OUTPUT, CH 01 TO 08 J01

PNT	SIGNAL NAME	COLOR	LV	TYPE	F
1	TA-CH01				
2	TA-ICH01				
3	TA-CH02				
4	TA-ICH02				
5	TA-CH03				
6	TA-ICH03				
7	TA-CH04				
8	TA-ICH04				
9	TA-CH05				
10	TA-ICH05				
11	TA-CH06				
12	TA-ICH06				
13	TA-CH07				
14	TA-ICH07				
15	TA-CH08				
16	TA-ICH08				

ELM 2
 AUDIO DATA INPUT, CH 01 TO 08 J02

PNT	SIGNAL NAME	COLOR	LV	TYPE	F
1	MA-CH01				
2	MA-ICH01				
3	MA-CH02				
4	MA-ICH02				
5	MA-CH03				
6	MA-ICH03				
7	MA-CH04				
8	MA-ICH04				
9	MA-CH05				
10	MA-ICH05				
11	MA-CH06				
12	MA-ICH06				
13	MA-CH07				
14	MA-ICH07				
15	MA-CH08				
16	MA-ICH08				

./.

GRP 1 <-- <-- <-- CONTINUATION
 =====

ELM 3
 AUDIO DATA OUTPUT, CH 25 TO 32 J03

PNT	SIGNAL NAME	COLOR	LV	TYPE	F
1	TA-CH25				
2	TA-ICH25				
3	TA-CH26				
4	TA-ICH26				
5	TA-CH27				
6	TA-ICH27				
7	TA-CH28				
8	TA-ICH28				
9	TA-CH29				
10	TA-ICH29				
11	TA-CH30				
12	TA-ICH30				
13	TA-CH31				
14	TA-ICH31				
15	TA-CH32				
16	TA-ICH32				

ELM 4
 AUDIO DATA INPUT, CH 25 TO 32 J04

PNT	SIGNAL NAME	COLOR	LV	TYPE	F
1	MA-CH25				
2	MA-ICH25				
3	MA-CH26				
4	MA-ICH26				
5	MA-CH27				
6	MA-ICH27				
7	MA-CH28				
8	MA-ICH28				
9	MA-CH29				
10	MA-ICH29				
11	MA-CH30				
12	MA-ICH30				
13	MA-CH31				
14	MA-ICH31				
15	MA-CH32				
16	MA-ICH32				

./.

GRP 1 <-- <-- <-- CONTINUATION
 =====

ELM 5
 DATA CUE1 + CUE2 J05

PNT	SIGNAL NAME	COLOR	LV	TYPE	F
1	CU-CUE1				
2	CU-ICUE1				
3	CU-CUE2				
4	CU-ICUE2				
5					
6					
7	TA-CUE1				
8	TA-ICUE1				
9	TA-CUE2				
10	TA-ICUE2				

ELM 6
 SSSA TD CONTROL CONNECTOR J06

PNT	SIGNAL NAME	COLOR	LV	TYPE	F
1	TD-SCLK				
2	TD-ISCLK				
3	TD-SRX				
4	TD-ISRX				
5	TD-STX				
6	TD-ISTX				
7	TD-SDTR				
8	TD-ISDTR				
9	TD-SCTS				
10	TD-ISCTS				

ELM 7
 ANALOG CUE1 + CUE2 J07

PNT	SIGNAL NAME	COLOR	LV	TYPE	F
1	AA-CUE10			A	
2	AA-CUE1B			A	
3	AA-CUE2A			A	
4				A	
5				A	
6	AA-CUE1A			A	
7	AA-CUE20			A	
8	AA-CUE2B			A	
9				A	

./.

 * STUDER REVOX AG * L O C A T I O N P I N L I S T * 91/02/19 * 11:24 * P A G E 35 *

 * 1.862.010.00 D820-48 PCM TAPE - RECORDER * 90/03/21 - 00 *

 ASY 1 1.862.100.00 TAPE DECK PCM - MCH <-- <-- <-- CONTINUATION

GRP 1 <-- <-- <-- CONTINUATION
 =====

ELM 8
 DATA RT + TC J08

PNT	SIGNAL NAME	COLOR	LV	TYPE	F
1	RT-RT				
2	RT-IRT				
3	SS-TC				
4	SS-ITC				
5					
6					
7	TA-RT				
8	TA-IRT				
9	TA-TC				
10	TA-ITC				

ELM 9
 SERBUS AUDIO CONTROL CONNECTOR J09

PNT	SIGNAL NAME	COLOR	LV	TYPE	F
1	PI-SCLK				
2	PI-ISCLK				
3	PI-STPH				
4	PI-ISTPH				
5	PI-SDAT				
6	PI-ISDAT				
7	PI-SVAL				
8	PI-ISVAL				
9	GND				
10	GND				

./.

GRP 1 <-- <-- <-- CONTINUATION
 =====

ELM 10
 CLOCK CONNECTOR J10

PNT	SIGNAL NAME	COLOR	LV	TYPE	F
1	CK-MCK				
2	CK-IMCK				
3	CK-BSY				
4	CK-IBSY				
5	CK-SSY				
6	CK-ISSY				
7	CK-RES1				
8	CK-IRRES1				
9	RT-SSYTP				
10	RTISSYTP				
11	RT-GRID				
12	RT-IGRID				
13	TC-BPH0				
14	TC-IBPH0				
15	TC-BPH1				
16	TC-IBPH1				
17	SS-RFNT				
18	SS-IRFNT				
19	CK-RFXT				
20	CK-IRFXT				
21	T-REFEX				
22	T-IREFEX				
23	TD-MVCLK				
24	TDIMVCLK				
25	TD-MVDIR				
26	TDIMVDIR				

./.

GRP 1 <-- <-- <-- CONTINUATION
 =====

ELM 11
 TDC BUS CONNECTOR J11

PNT	SIGNAL NAME	COLOR	LV	TYPE	F
1	GND				
2	GND				
3	PI-SL5				
4	PI-ISL5				
5	PI-SL4				
6	PI-ISL4				
7	PI-RES				
8	PI-IRRES				
9	PI-RW				
10	PI-IRW				
11	PI-ENB				
12	PI-IENB				
13	PI-ADR2				
14	PI-IADR2				
15	PI-ADR1				
16	PI-IADR1				
17	PI-ADRO				
18	PI-IADRO				
19	TM-SHIR				
20	GND				
21	TM-KBIR				
22	GND				
23	TM-REMIR				
24	GND				
25	PI-DATA7				
26	GND				
27	PI-DATA6				
28	GND				
29	PI-DATA5				
30	GND				
31	PI-DATA4				
32	GND				
33	PI-DATA3				
34	GND				
35	PI-DATA2				
36	GND				
37	PI-DATA1				
38	GND				
39	PI-DATA0				
40	GND				

STUDER D820 MCH

```
*****
* STUDER REVOX AG * L O C A T I O N P I N L I S T * 91/02/19 * 11:24 * P A G E 36 *
*****
* 1.862.010.00 D820-48 PCM TAPE - RECORDER * 90/03/21 - 00 *
*****
ASY 1 1.862.100.00 TAPE DECK PCM - MCH <-- <-- <-- CONTINUATION
```

GRP 2 CONNECTIONS PANEL RIGHT
=====

ELM 1 AUDIO DATA OUTPUT, CH 09 TO 16 J01

PNT SIGNAL NAME COLOR LV TYPE F

1 TA-CH09
2 TA-ICH09
3 TA-CH10
4 TA-ICH10
5 TA-CH11
6 TA-ICH11
7 TA-CH12
8 TA-ICH12
9 TA-CH13
10 TA-ICH13
11 TA-CH14
12 TA-ICH14
13 TA-CH15
14 TA-ICH15
15 TA-CH16
16 TA-ICH16

ELM 2 AUDIO DATA INPUT, CH 09 TO 16 J02

PNT SIGNAL NAME COLOR LV TYPE F

1 MA-CH09
2 MA-ICH09
3 MA-CH10
4 MA-ICH10
5 MA-CH11
6 MA-ICH11
7 MA-CH12
8 MA-ICH12
9 MA-CH13
10 MA-ICH13
11 MA-CH14
12 MA-ICH14
13 MA-CH15
14 MA-ICH15
15 MA-CH16
16 MA-ICH16

GRP 2 <-- <-- <-- CONTINUATION
=====

ELM 3 AUDIO DATA OUTPUT, CH 17 TO 24 J03

PNT SIGNAL NAME COLOR LV TYPE F

1 TA-CH17
2 TA-ICH17
3 TA-CH18
4 TA-ICH18
5 TA-CH19
6 TA-ICH19
7 TA-CH20
8 TA-ICH20
9 TA-CH21
10 TA-ICH21
11 TA-CH22
12 TA-ICH22
13 TA-CH23
14 TA-ICH23
15 TA-CH24
16 TA-ICH24

ELM 4 AUDIO DATA INPUT, CH 17 TO 24 J04

PNT SIGNAL NAME COLOR LV TYPE F

1 MA-CH17
2 MA-ICH17
3 MA-CH18
4 MA-ICH18
5 MA-CH19
6 MA-ICH19
7 MA-CH20
8 MA-ICH20
9 MA-CH21
10 MA-ICH21
11 MA-CH22
12 MA-ICH22
13 MA-CH23
14 MA-ICH23
15 MA-CH24
16 MA-ICH24

GRP 2 <-- <-- <-- CONTINUATION
=====

ELM 5 AUDIO DATA OUTPUT, CH 33 TO 40 J05

PNT SIGNAL NAME COLOR LV TYPE F

1 TA-CH33
2 TA-ICH33
3 TA-CH34
4 TA-ICH34
5 TA-CH35
6 TA-ICH35
7 TA-CH36
8 TA-ICH36
9 TA-CH37
10 TA-ICH37
11 TA-CH38
12 TA-ICH38
13 TA-CH39
14 TA-ICH39
15 TA-CH40
16 TA-ICH40

ELM 6 AUDIO DATA INPUT, CH 33 TO 40 J06

PNT SIGNAL NAME COLOR LV TYPE F

1 MA-CH33
2 MA-ICH33
3 MA-CH34
4 MA-ICH34
5 MA-CH35
6 MA-ICH35
7 MA-CH36
8 MA-ICH36
9 MA-CH37
10 MA-ICH37
11 MA-CH38
12 MA-ICH38
13 MA-CH39
14 MA-ICH39
15 MA-CH40
16 MA-ICH40

```
*****
* STUDER REVOX AG * L O C A T I O N P I N L I S T * 91/02/19 * 11:24 * P A G E 37 *
*****
* 1.862.010.00 D820-48 PCM TAPE - RECORDER * 90/03/21 - 00 *
*****
ASY 1 1.862.100.00 TAPE DECK PCM - MCH <-- <-- <-- CONTINUATION
```

GRP 2 <-- <-- <-- CONTINUATION
=====

ELM 7 AUDIO DATA OUTPUT, CH 41 TO 48 J07

PNT SIGNAL NAME COLOR LV TYPE F

1 TA-CH41
2 TA-ICH41
3 TA-CH42
4 TA-ICH42
5 TA-CH43
6 TA-ICH43
7 TA-CH44
8 TA-ICH44
9 TA-CH45
10 TA-ICH45
11 TA-CH46
12 TA-ICH46
13 TA-CH47
14 TA-ICH47
15 TA-CH48
16 TA-ICH48

ELM 8 AUDIO DATA INPUT, CH 41 TO 48 J08

PNT SIGNAL NAME COLOR LV TYPE F

1 MA-CH41
2 MA-ICH41
3 MA-CH42
4 MA-ICH42
5 MA-CH43
6 MA-ICH43
7 MA-CH44
8 MA-ICH44
9 MA-CH45
10 MA-ICH45
11 MA-CH46
12 MA-ICH46
13 MA-CH47
14 MA-ICH47
15 MA-CH48
16 MA-ICH48

GRP 10 1.862.703.00 BASIS BOARD EQUALIZER
=====

ELM 1 1.862.721.00 EQUALIZER CH 1 TO CH 8 J01

PNT SIGNAL NAME COLOR LV TYPE F

1A
1B REPRG-01
1C REPRS-01
2A
2B REPRG-02
2C REPRS-02
3A
3B REPRG-03
3C REPRS-03
4A
4B REPRG-04
4C REPRS-04
5A
5B REPRG-05
5C REPRS-05
6A
6B REPRG-06
6C REPRS-06
7A
7B REPRG-07
7C REPRS-07
8A
8B REPRG-08
8C REPRS-08
9A
9B
9C
10A
10B A-MESRF
10C A-MESRFO
11A
11B DDSCLKPB
11C RES-EQ4
12A
12B DDILDOPB
12C RES-EQ5
13A
13B D-PBDATA
13C RES-EQ6
14A
14B
14C
15A +15.0
15B +15.0
15C +15.0
16A + 5.6
16B + 5.6

GRP 10 1.862.703.00 <-- <-- <-- CONTINUATION
=====

ELM 1 1.862.721.00 <-- <-- <-- CONTINUATION

PNT SIGNAL NAME COLOR LV TYPE F

16C + 5.6
17A + 0.0
17B + 0.0
17C + 0.0
18A -15.0
18B -15.0
18C -15.0
19A
19B
19C
20A
20B BTC-SPD1
20C BTC-SPD2
21A
21B DDSCLKQEQ
21C RES-EQ1
22A
22B DDILDQEQ
22C RES-EQ2
23A
23B DDEQDATA
23C RES-EQ3
24A
24B
24C
25A
25B TA-CH01
25C TA-ICH01
26A
26B TA-CH02
26C TA-ICH02
27A
27B TA-CH03
27C TA-ICH03
28A
28B TA-CH04
28C TA-ICH04
29A
29B TA-CH05
29C TA-ICH05
30A
30B TA-CH06
30C TA-ICH06
31A EQC01-08
31B TA-CH07
31C TA-ICH07
32A EQC01-08

 * STUDER REVOX AG * L O C A T I O N P I N L I S T * 91/02/19 * 11:24 * P A G E 38 *

 * 1.862.010.00 D820-48 PCH TAPE - RECORDER * 90/03/21 - 00 *

 ASY 1 1.862.100.00 TAPE DECK PCH - MCH <-- <-- <-- CONTINUATION

GRP 10 1.862.703.00
 <-- <-- <-- CONTINUATION

ELM 1 1.862.721.00
 <-- <-- <-- CONTINUATION

PNT SIGNAL NAME COLOR LV TYPE F

32B TA-CH08
 32C TA-ICH08

./.

GRP 10 1.862.703.00
 <-- <-- <-- CONTINUATION

ELM 2 1.862.721.00
 EQUALIZER CH 9 TO CH 16 J02

PNT SIGNAL NAME COLOR LV TYPE F

1A
 1B REPRG-09
 1C REPRS-09
 2A
 2B REPRG-10
 2C REPRS-10
 3A
 3B REPRG-11
 3C REPRS-11
 4A
 4B REPRG-12
 4C REPRS-12
 5A
 5B REPRG-13
 5C REPRS-13
 6A
 6B REPRG-14
 6C REPRS-14
 7A
 7B REPRG-15
 7C REPRS-15
 8A
 8B REPRG-16
 8C REPRS-16
 9A
 9B
 9C
 10A
 10B A-MESRF
 10C A-MESRFO
 11A
 11B DDCLKPB
 11C RES-EQ4
 12A
 12B DDILDOPB
 12C RES-EQ5
 13A
 13B D-PBDATA
 13C RES-EQ6
 14A
 14B
 14C
 15A +15.0
 15B +15.0
 15C +15.0
 16A + 5.6
 16B + 5.6

./.

GRP 10 1.862.703.00
 <-- <-- <-- CONTINUATION

ELM 2 1.862.721.00
 <-- <-- <-- CONTINUATION

PNT SIGNAL NAME COLOR LV TYPE F

16C + 5.6
 17A + 0.0
 17B + 0.0
 17C + 0.0
 18A -15.0
 18B -15.0
 18C -15.0
 19A
 19B
 19C
 20A
 20B BTC-SPD1
 20C BTC-SPD2
 21A
 21B DDCLKREQ
 21C RES-EQ1
 22A
 22B DDILDREQ
 22C RES-EQ2
 23A
 23B DDEQDATA
 23C RES-EQ3
 24A
 24B
 24C
 24C
 25A
 25B TA-CH09
 25C TA-ICH09
 26A
 26B TA-CH10
 26C TA-ICH10
 27A
 27B TA-CH11
 27C TA-ICH11
 28A
 28B TA-CH12
 28C TA-ICH12
 29A
 29B TA-CH13
 29C TA-ICH13
 30A EQC09-16
 30B TA-CH14
 30C TA-ICH14
 31A
 31B TA-CH15
 31C TA-ICH15
 32A EQC09-16

./.

STUDER D820 MCH

```
*****
*   STUDER REVOX AG   *   L O C A T I O N   P I N   L I S T   *   91/02/19 * 11:24 * P A G E 39 *
*****
*   1.862.010.00   D820-48   PCM TAPE - RECORDER   *   90/03/21 - 00   *
*****
ASY 1   1.862.100.00   TAPE DECK PCM - MCH   <-- <-- <-- CONTINUATION
```

GRP 10	1.862.703.00					GRP 10	1.862.703.00					GRP 10	1.862.703.00				
<-- <-- <-- CONTINUATION				<-- <-- <-- CONTINUATION				<-- <-- <-- CONTINUATION									
ELM 2	1.862.721.00					ELM 3	1.862.721.00					ELM 3	1.862.721.00				
<-- <-- <-- CONTINUATION				EQUALIZER CH 17 TO CH 24				J03				<-- <-- <-- CONTINUATION					
PNT	SIGNAL NAME	COLOR	LV	TYPE	F	PNT	SIGNAL NAME	COLOR	LV	TYPE	F	PNT	SIGNAL NAME	COLOR	LV	TYPE	F
32B	TA-CH16					1A						16C	+ 5.6				
32C	TA-ICH16					1B	REPRG-17					17A	+ 0.0				
						1C	REPRS-17					17B	+ 0.0				
						2A						17C	+ 0.0				
						2B	REPRG-18					18A	-15.0				
						2C	REPRS-18					18B	-15.0				
						3A						18C	-15.0				
						3B	REPRG-19					19A					
						3C	REPRS-19					19B					
						4A						19C					
						4B	REPRG-20					20A					
						4C	REPRS-20					20B	BTC-SPD1				
						5A						20C	BTC-SPD2				
						5B	REPRG-21					21A					
						5C	REPRS-21					21B	DDSCCLKEQ				
						6A						21C	RES-EQ1				
						6B	REPRG-22					22A					
						6C	REPRS-22					22B	DDILD0EQ				
						7A						22C	RES-EQ2				
						7B	REPRG-23					23A					
						7C	REPRS-23					23B	DDEQDATA				
						8A						23C	RES-EQ3				
						8B	REPRG-24					24A					
						8C	REPRS-24					24B					
						9A						24C					
						9B						25A					
						9C						25B	TA-CH17				
						10A						25C	TA-ICH17				
						10B	A-MESRF					26A					
						10C	A-MESRFO					26B	TA-CH18				
						11A						26C	TA-ICH18				
						11B	DDSCCLKPB					27A					
						11C	RES-EQ4					27B	TA-CH19				
						12A						27C	TA-ICH19				
						12B	DDILD0PB					28A					
						12C	RES-EQ5					28B	TA-CH20				
						13A						28C	TA-ICH20				
						13B	D-PBDATA					29A	EQC17-24				
						13C	RES-EQ6					29B	TA-CH21				
						14A						29C	TA-ICH21				
						14B						30A					
						14C						30B	TA-CH22				
						15A	+15.0					30C	TA-ICH22				
						15B	+15.0					31A					
						15C	+15.0					31B	TA-CH23				
						16A	+ 5.6					31C	TA-ICH23				
						16B	+ 5.6					32A	EQC17-24				

 * STUDER REVOX AG * L O C A T I O N P I N L I S T * 91/02/19 * 11:24 * P A G E 40 *

 * 1.862.010.00 D820-48 PCM TAPE - RECORDER * 90/03/21 - 00 *

 ASY 1 1.862.100.00 TAPE DECK PCM - MCH <-- <-- <-- CONTINUATION

GRP 10 1.862.703.00
 <-- <-- <-- CONTINUATION
 =====

ELM 3 1.862.721.00
 <-- <-- <-- CONTINUATION

PNT SIGNAL NAME COLOR LV TYPE F

32B TA-CH24
 32C TA-ICH24

 ./. .

GRP 10 1.862.703.00
 <-- <-- <-- CONTINUATION
 =====

ELM 4 1.862.721.00
 EQUALIZER CH 25 TO CH 32 J04

PNT SIGNAL NAME COLOR LV TYPE F

1A
 1B REPRG-25
 1C REPRS-25
 2A
 2B REPRG-26
 2C REPRS-26
 3A
 3B REPRG-27
 3C REPRS-27
 4A
 4B REPRG-28
 4C REPRS-28
 5A
 5B REPRG-29
 5C REPRS-29
 6A
 6B REPRG-30
 6C REPRS-30
 7A
 7B REPRG-31
 7C REPRS-31
 8A
 8B REPRG-32
 8C REPRS-32
 9A
 9B
 9C
 10A
 10B A-MESRF
 10C A-MESRF0
 11A
 11B DDSCLKPB
 11C RES-EQ4
 12A
 12B DDILD0PB
 12C RES-EQ5
 13A
 13B D-PBDATA
 13C RES-EQ6
 14A
 14B
 14C
 15A +15.0
 15B +15.0
 15C +15.0
 16A + 5.6
 16B + 5.6
 ./. .

GRP 10 1.862.703.00
 <-- <-- <-- CONTINUATION
 =====

ELM 4 1.862.721.00
 <-- <-- <-- CONTINUATION

PNT SIGNAL NAME COLOR LV TYPE F

16C + 5.6
 17A + 0.0
 17B + 0.0
 17C + 0.0
 18A -15.0
 18B -15.0
 18C -15.0
 19A
 19B
 19C
 20A
 20B BTC-SPD1
 20C BTC-SPD2
 21A
 21B DDSCLKEQ
 21C RES-EQ1
 22A
 22B DDILD0EQ
 22C RES-EQ2
 23A
 23B DDEQDATA
 23C RES-EQ3
 24A
 24B
 24C
 25A
 25B TA-CH25
 25C TA-ICH25
 26A
 26B TA-CH26
 26C TA-ICH26
 27A
 27B TA-CH27
 27C TA-ICH27
 28A EQC25-32
 28B TA-CH28
 28C TA-ICH28
 29A
 29B TA-CH29
 29C TA-ICH29
 30A
 30B TA-CH30
 30C TA-ICH30
 31A
 31B TA-CH31
 31C TA-ICH31
 32A EQC25-32
 ./. .

STUDER D820 MCH

```

*****
*   STUDER REVOX AG   *   L O C A T I O N   P I N   L I S T   *   91/02/19 * 11:24 * P A G E 41 *
*****
*   1.862.010.00 D820-48 PCM TAPE - RECORDER   *   90/03/21 - 00   *
*****
ASY 1   1.862.100.00 TAPE DECK PCM - MCH   <-- <-- <-- CONTINUATION

GRP 10   1.862.703.00   GRP 10   1.862.703.00   GRP 10   1.862.703.00
<-- <-- <-- CONTINUATION   <-- <-- <-- CONTINUATION   <-- <-- <-- CONTINUATION
=====
ELM 4   1.862.721.00   ELM 5   1.862.721.00   ELM 5   1.862.721.00
<-- <-- <-- CONTINUATION   EQUALIZER CH 33 TO CH 40   J05   <-- <-- <-- CONTINUATION
-----
PNT SIGNAL NAME   COLOR LV TYPE   F   PNT SIGNAL NAME   COLOR LV TYPE   F   PNT SIGNAL NAME   COLOR LV TYPE   F
-----
32B TA-CH32
32C TA-ICH32
./

1A
1B REPRG-33
1C REPRS-33
2A
2B REPRG-34
2C REPRS-34
3A
3B REPRG-35
3C REPRS-35
4A
4B REPRG-36
4C REPRS-36
5A
5B REPRG-37
5C REPRS-37
6A
6B REPRG-38
6C REPRS-38
7A
7B REPRG-39
7C REPRS-39
8A
8B REPRG-40
8C REPRS-40
9A
9B
9C
10A
10B A-MESRF
10C A-MESRFO
11A
11B DDCLKPB
11C RES-EQ4
12A
12B DDILD0PB
12C RES-EQ5
13A
13B D-PBDATA
13C RES-EQ6
14A
14B
14C
15A +15.0
15B +15.0
15C +15.0
16A + 5.6
16B + 5.6
./

16C + 5.6
17A + 0.0
17B + 0.0
17C + 0.0
18A -15.0
18B -15.0
18C -15.0
19A
19B
19C
20A
20B BTC-SPD1
20C BTC-SPD2
21A
21B DDCLKEQ
21C RES-EQ1
22A
22B DDILD0EQ
22C RES-EQ2
23A
23B DDEQDATA
23C RES-EQ3
24A
24B
24C
25A
25B TA-CH33
25C TA-ICH33
26A
26B TA-CH34
26C TA-ICH34
27A EQC33-40
27B TA-CH35
27C TA-ICH35
28A
28B TA-CH36
28C TA-ICH36
29A
29B TA-CH37
29C TA-ICH37
30A
30B TA-CH38
30C TA-ICH38
31A
31B TA-CH39
31C TA-ICH39
32A EQC33-40
./

```

 * STUDER REVOX AG * L O C A T I O N P I N L I S T * 91/02/19 * 11:24 * P A G E 42 *

 * 1.862.010.00 D820-48 PCM TAPE - RECORDER * 90/03/21 - 00 *

 ASY 1 1.862.100.00 TAPE DECK PCM - MCH <-- <-- <-- CONTINUATION

GRP 10 1.862.703.00
 <-- <-- <-- CONTINUATION
 =====

ELM 5 1.862.721.00
 <-- <-- <-- CONTINUATION

PNT	SIGNAL NAME	COLOR	LV	TYPE	F
32B	TA-CH40				
32C	TA-ICH40				

GRP 10 1.862.703.00
 <-- <-- <-- CONTINUATION
 =====

ELM 6 1.862.721.00
 EQUALIZER CH 41 TO CH 48 J06

PNT	SIGNAL NAME	COLOR	LV	TYPE	F
1A					
1B	REPRG-41				
1C	REPRS-41				
2A					
2B	REPRG-42				
2C	REPRS-42				
3A					
3B	REPRG-43				
3C	REPRS-43				
4A					
4B	REPRG-44				
4C	REPRS-44				
5A					
5B	REPRG-45				
5C	REPRS-45				
6A					
6B	REPRG-46				
6C	REPRS-46				
7A					
7B	REPRG-47				
7C	REPRS-47				
8A					
8B	REPRG-48				
8C	REPRS-48				
9A					
9B					
9C					
10A					
10B	A-MESRF				
10C	A-MESRFO				
11A					
11B	DDSCLKPB				
11C	RES-EQ4				
12A					
12B	DDILDOPB				
12C	RES-EQ5				
13A					
13B	D-PBDATA				
13C	RES-EQ6				
14A					
14B					
14C					
15A	+15.0				
15B	+15.0				
15C	+15.0				
16A	+ 5.6				
16B	+ 5.6				

GRP 10 1.862.703.00
 <-- <-- <-- CONTINUATION
 =====

ELM 6 1.862.721.00
 <-- <-- <-- CONTINUATION

PNT	SIGNAL NAME	COLOR	LV	TYPE	F
16C	+ 5.6				
17A	+ 0.0				
17B	+ 0.0				
17C	+ 0.0				
18A	-15.0				
18B	-15.0				
18C	-15.0				
19A					
19B					
19C					
20A					
20B	BTC-SPD1				
20C	BTC-SPD2				
21A					
21B	DDSCLKEQ				
21C	RES-EQ1				
22A					
22B	DDILD0EQ				
22C	RES-EQ2				
23A					
23B	DDEQDATA				
23C	RES-EQ3				
24A					
24B					
24C					
25A					
25B	TA-CH41				
25C	TA-ICH41				
26A	EQC41-48				
26B	TA-CH42				
26C	TA-ICH42				
27A					
27B	TA-CH43				
27C	TA-ICH43				
28A					
28B	TA-CH44				
28C	TA-ICH44				
29A					
29B	TA-CH45				
29C	TA-ICH45				
30A					
30B	TA-CH46				
30C	TA-ICH46				
31A					
31B	TA-CH47				
31C	TA-ICH47				
32A	EQC41-48				

STUDER D820 MCH

```
*****
*   STUDER REVOX AG   *   L O C A T I O N   P I N   L I S T   *   91/02/19 * 11:24 * PAGE 43 *
*****
*   1.862.010.00 D820-48 PCM TAPE - RECORDER   *   90/03/21 - 00   *
*****
ASY 1   1.862.100.00 TAPE DECK PCM - MCH
```

```
GRP 10   1.862.703.00          GRP 10   1.862.703.00          GRP 10   1.862.703.00
<-- <-- <-- CONTINUATION    <-- <-- <-- CONTINUATION    <-- <-- <-- CONTINUATION
=====
```

```
ELM 6   1.862.721.00          ELM 7   1.862.722.00          ELM 7   1.862.722.00
<-- <-- <-- CONTINUATION    READ UNIT RT/TC          J07    <-- <-- <-- CONTINUATION
-----
```

```
PNT SIGNAL NAME  COLOR LV TYPE  F  PNT SIGNAL NAME  COLOR LV TYPE  F  PNT SIGNAL NAME  COLOR LV TYPE  F
```

```
32B TA-CH48
32C TA-ICH48
-----
./.
```

```
1A REPRG-RT
1C REPRS-RT
2A REPRG-TC
2C REPRS-TC
3A
3C
4A
4C
5A D-FEEDT1
5C RES1-CUE
6A RES2-CUE
6C D-FEEDT2
7A RES3-CUE
7C RES4-CUE
8A RESS-CUE
8C A-MEGNOS
9A RES6-CUE
9C
10A A-MESRF
10C A-MESRFO
11A DDSCLKPB
11C RES-EQ4
12A DDILDOPB
12C RES-EQ5
13A D-PBDATA
13C RES-EQ6
14A
14C
15A +15.0
15C +15.0
16A + 5.6
16C + 5.6
17A + 0.0
17C + 0.0
18A -15.0
18C -15.0
19A
19C
20A BTC-SPD1
20C BTC-SPD2
21A DDSCLKEQ
21C RES-EQ1
22A DDILDQEQ
22C RES-EQ2
23A DDEQDATA
23C RES-EQ3
24A D-LEVLCL
```

```
24C D-LEVLCL2
25A D-PW/AC1
25C D-TESTC1
26A D-PW/AC2
26C D-TESTC2
27A
27C
28A
28C
29A
29C
30A
30C
31A TA-RT
31C TA-IRT
32A TA-TC
32C TA-ITC
-----
```

./.

./.

 * STUDER REVOX AG * L O C A T I O N P I N L I S T * 91/02/19 * 11:24 * PAGE 44 *
 * 1.862.010.00 D820-48 PCM TAPE - RECORDER * 90/03/21 - 00 *
 ASY 1 1.862.100.00 TAPE DECK PCM - MCH <-- <-- <-- CONTINUATION

GRP 10 1.862.703.00
 <-- <-- <-- CONTINUATION

ELM 8 1.862.723.00
 READ UNIT CUE TRACKS JOB

PNT	SIGNAL NAME	COLOR	LV	TYPE	F
1A	REPRG-C1				
1C	REPRS-C1				
2A	REPRG-C2				
2C	REPRS-C2				
3A					
3C					
4A					
4C					
5A	D-FEEDT1				
5C	RES1-CUE				
6A	RES2-CUE				
6C	D-FEEDT2				
7A	RES3-CUE				
7C	RES4-CUE				
8A	RES5-CUE				
8C	A-MESNOS				
9A	MES6-CUE				
9C					
10A	A-MESRF				
10C	A-MESRFO				
11A	DDSKLKP				
11C	RES-EQ4				
12A	DDILDOPB				
12C	RES-EQ5				
13A	D-PBDATA				
13C	RES-EQ6				
14A					
14C					
15A	+15.0				
15C	+15.0				
16A	+ 5.6				
16C	+ 5.6				
17A	+ 0.0				
17C	+ 0.0				
18A	-15.0				
18C	-15.0				
19A					
19C					
20A	BTC-SPD1				
20C	BTC-SPD2				
21A	DDSKLKEQ				
21C	RES-EQ1				
22A	DDILDDEQ				
22C	RES-EQ2				
23A	DDEQDATA				
23C	RES-EQ3				
24A	D-LEVLC1				

GRP 10 1.862.703.00
 <-- <-- <-- CONTINUATION

ELM 8 1.862.723.00
 <-- <-- <-- CONTINUATION

PNT	SIGNAL NAME	COLOR	LV	TYPE	F
24C	D-LEVLC2				
25A	D-PW/AC1				
25C	D-TESTC1				
26A	D-PW/AC2				
26C	D-TESTC2				
27A	AA-CUE2A				
27C	AA-CUE2B				
28A	AA-CUE20				
28C	AA-CUE10				
29A	AA-CUE1A				
29C	AA-CUE1B				
30A	+ 0.0				
30C	+ 0.0				
31A	CU-CUE1				
31C	CU-ICUE1				
32A	CU-CUE2				
32C	CU-ICUE2				

GRP 10 1.862.703.00
 <-- <-- <-- CONTINUATION

ELM 12 54.14.2002
 INPUT EQUALIZER CH 9 TO CH 16 P12

PNT	SIGNAL NAME	COLOR	LV	TYPE	F
1	REPRG-09				
2	REPRS-09				
3	REPRG-10				
4	REPRS-10				
5	REPRG-11				
6	REPRS-11				
7	REPRG-12				
8	REPRS-12				
9	REPRG-13				
10	REPRS-13				
11	REPRG-14				
12	REPRS-14				
13	REPRG-15				
14	REPRS-15				
15	REPRG-16				
16	REPRS-16				

ELM 11 54.14.2002
 INPUT EQUALIZER CH 1 TO CH 8 P11

PNT	SIGNAL NAME	COLOR	LV	TYPE	F
1	REPRG-01				
2	REPRS-01				
3	REPRG-02				
4	REPRS-02				
5	REPRG-03				
6	REPRS-03				
7	REPRG-04				
8	REPRS-04				
9	REPRG-05				
10	REPRS-05				
11	REPRG-06				
12	REPRS-06				
13	REPRG-07				
14	REPRS-07				
15	REPRG-08				
16	REPRS-08				

ELM 13 54.14.2002
 INPUT EQUALIZER CH 17 TO CH 24 P13

PNT	SIGNAL NAME	COLOR	LV	TYPE	F
1	REPRG-17				
2	REPRS-17				
3	REPRG-18				
4	REPRS-18				
5	REPRG-19				
6	REPRS-19				
7	REPRG-20				
8	REPRS-20				
9	REPRG-21				
10	REPRS-21				
11	REPRG-22				
12	REPRS-22				
13	REPRG-23				
14	REPRS-23				
15	REPRG-24				
16	REPRS-24				

 * STUDER REVOX AG * L O C A T I O N P I N L I S T * 91/02/19 * 11:24 * PAGE 45 *
 * 1.862.010.00 D820-48 PCM TAPE - RECORDER * 90/03/21 - 00 *
 ASY 1 1.862.100.00 TAPE DECK PCM - MCH <-- <-- <-- CONTINUATION

GRP 10 1.862.703.00
 <-- <-- <-- CONTINUATION

ELM 14 54.14.2002
 INPUT EQUALIZER CH 25 TO CH 32 P14

PNT	SIGNAL NAME	COLOR	LV	TYPE	F
1	REPRG-25				
2	REPRS-25				
3	REPRG-26				
4	REPRS-26				
5	REPRG-27				
6	REPRS-27				
7	REPRG-28				
8	REPRS-28				
9	REPRG-29				
10	REPRS-29				
11	REPRG-30				
12	REPRS-30				
13	REPRG-31				
14	REPRS-31				
15	REPRG-32				
16	REPRS-32				

GRP 10 1.862.703.00
 <-- <-- <-- CONTINUATION

ELM 16 54.14.2002
 INPUT EQUALIZER CH 41 TO CH 48 P16

PNT	SIGNAL NAME	COLOR	LV	TYPE	F
1	REPRG-41				
2	REPRS-41				
3	REPRG-42				
4	REPRS-42				
5	REPRG-43				
6	REPRS-43				
7	REPRG-44				
8	REPRS-44				
9	REPRG-45				
10	REPRS-45				
11	REPRG-46				
12	REPRS-46				
13	REPRG-47				
14	REPRS-47				
15	REPRG-48				
16	REPRS-48				

GRP 10 1.862.703.00
 <-- <-- <-- CONTINUATION

ELM 21 54.14.2002
 AUDIO DATA OUTPUT, CH 01 TO 08 P21

PNT	SIGNAL NAME	COLOR	LV	TYPE	F
1	TA-CH01				
2	TA-ICH01				
3	TA-CH02				
4	TA-ICH02				
5	TA-CH03				
6	TA-ICH03				
7	TA-CH04				
8	TA-ICH04				
9	TA-CH05				
10	TA-ICH05				
11	TA-CH06				
12	TA-ICH06				
13	TA-CH07				
14	TA-ICH07				
15	TA-CH08				
16	TA-ICH08				

ELM 15 54.14.2002
 INPUT EQUALIZER CH 33 TO CH 40 P15

PNT	SIGNAL NAME	COLOR	LV	TYPE	F
1	REPRG-33				
2	REPRS-33				
3	REPRG-34				
4	REPRS-34				
5	REPRG-35				
6	REPRS-35				
7	REPRG-36				
8	REPRS-36				
9	REPRG-37				
10	REPRS-37				
11	REPRG-38				
12	REPRS-38				
13	REPRG-39				
14	REPRS-39				
15	REPRG-40				
16	REPRS-40				

ELM 17 54.14.2001
 INPUT AUX TRACKS P17

PNT	SIGNAL NAME	COLOR	LV	TYPE	F
1	REPRG-TC				
2	REPRS-TC				
3	REPRG-RT				
4	REPRS-RT				
5					
6					
7	REPRG-C2				
8	REPRS-C2				
9	REPRG-C1				
10	REPRS-C1				

ELM 22 54.14.2002
 AUDIO DATA OUTPUT, CH 09 TO 16 P22

PNT	SIGNAL NAME	COLOR	LV	TYPE	F
1	TA-CH09				
2	TA-ICH09				
3	TA-CH10				
4	TA-ICH10				
5	TA-CH11				
6	TA-ICH11				
7	TA-CH12				
8	TA-ICH12				
9	TA-CH13				
10	TA-ICH13				
11	TA-CH14				
12	TA-ICH14				
13	TA-CH15				
14	TA-ICH15				
15	TA-CH16				
16	TA-ICH16				

STUDER D820 MCH

```
*****
* STUDER REVOX AG * L O C A T I O N P I N L I S T * 91/02/19 * 11:24 * P A G E 46 *
*****
* 1.862.010.00 D820-48 PCM TAPE - RECORDER * 90/03/21 - 00 *
*****
ASY 1 1.862.100.00 TAPE DECK PCM - MCH <-- <-- <-- CONTINUATION
```

```
GRP 10 1.862.703.00
<-- <-- <-- CONTINUATION
=====
```

```
ELM 23 54.14.2002
AUDIO DATA OUTPUT, CH 17 TO 24 P23
PNT SIGNAL NAME COLOR LV TYPE F
-----
1 TA-CH17
2 TA-ICH17
3 TA-CH18
4 TA-ICH18
5 TA-CH19
6 TA-ICH19
7 TA-CH20
8 TA-ICH20
9 TA-CH21
10 TA-ICH21
11 TA-CH22
12 TA-ICH22
13 TA-CH23
14 TA-ICH23
15 TA-CH24
16 TA-ICH24
-----
```

```
ELM 24 54.14.2002
AUDIO DATA OUTPUT, CH 25 TO 32 P24
PNT SIGNAL NAME COLOR LV TYPE F
-----
1 TA-CH25
2 TA-ICH25
3 TA-CH26
4 TA-ICH26
5 TA-CH27
6 TA-ICH27
7 TA-CH28
8 TA-ICH28
9 TA-CH29
10 TA-ICH29
11 TA-CH30
12 TA-ICH30
13 TA-CH31
14 TA-ICH31
15 TA-CH32
16 TA-ICH32
-----
```

```
GRP 10 1.862.703.00
<-- <-- <-- CONTINUATION
=====
```

```
ELM 25 54.14.2002
AUDIO DATA OUTPUT, CH 33 TO 40 P25
PNT SIGNAL NAME COLOR LV TYPE F
-----
1 TA-CH33
2 TA-ICH33
3 TA-CH34
4 TA-ICH34
5 TA-CH35
6 TA-ICH35
7 TA-CH36
8 TA-ICH36
9 TA-CH37
10 TA-ICH37
11 TA-CH38
12 TA-ICH38
13 TA-CH39
14 TA-ICH39
15 TA-CH40
16 TA-ICH40
-----
```

```
ELM 26 54.14.2002
AUDIO DATA OUTPUT, CH 41 TO 48 P26
PNT SIGNAL NAME COLOR LV TYPE F
-----
1 TA-CH41
2 TA-ICH41
3 TA-CH42
4 TA-ICH42
5 TA-CH43
6 TA-ICH43
7 TA-CH44
8 TA-ICH44
9 TA-CH45
10 TA-ICH45
11 TA-CH46
12 TA-ICH46
13 TA-CH47
14 TA-ICH47
15 TA-CH48
16 TA-ICH48
-----
```

```
GRP 10 1.862.703.00
<-- <-- <-- CONTINUATION
=====
```

```
ELM 27 54.14.2001
AUX OUT P27
PNT SIGNAL NAME COLOR LV TYPE F
-----
1
2
3
4
5
6
7 TA-RT
8 TA-IRT
9 TA-TC
10 TA-ITC
-----
```

```
ELM 28 54.14.2001
DATA CUE1 + CUE2 P28
PNT SIGNAL NAME COLOR LV TYPE F
-----
1 CU-CUE1
2 CU-ICUE1
3 CU-CUE2
4 CU-ICUE2
5
6
7 TA-CUE1
8 TA-ICUE1
9 TA-CUE2
10 TA-ICUE2
-----
```

```
ELM 29 54.13.0001
OUTPUT ANALOG CUE 1+2 P29
PNT SIGNAL NAME COLOR LV TYPE F
-----
1 AA-CUE10 B
2 AA-CUE1B B
3 AA-CUE2A B
4 B
5 B
6 AA-CUE1A B
7 AA-CUE20 B
8 AA-CUE2B B
9 B
-----
```

```
*****
* STUDER REVOX AG * L O C A T I O N P I N L I S T * 91/02/19 * 11:24 * P A G E 47 *
*****
* 1.862.010.00 D820-48 PCM TAPE - RECORDER * 90/03/21 - 00 *
*****
ASY 1 1.862.100.00 TAPE DECK PCM - MCH <-- <-- <-- CONTINUATION
```

```
GRP 10 1.862.703.00
<-- <-- <-- CONTINUATION
=====
```

```
ELM 31 54.25.0005
SUPPLY CONNECTOR J31
PNT SIGNAL NAME COLOR LV TYPE F
-----
1 + 5.6 BX
2 + 0.0 BX
3 +15.0 BX
4 + 0.0 BX
5 -15.0 BX
-----
```

```
ELM 32 54.14.2002
EQUALIZER CONTROL P32
PNT SIGNAL NAME COLOR LV TYPE F
-----
1 BTC-SPD1
2 BTC-SPD2
3 D-SCLKEQ
4 RES-EQ1
5 D-ILDDEQ
6 RES-EQ2
7 D-EQDATA
8 RES-EQ3
9 A-MESRF
10 A-MESRFO
11 D-SCLKPB
12 RES-EQ4
13 D-ILDOPB
14 RES-EQ5
15 D-PBDATA
16 RES-EQ6
-----
```

```
GRP 15 1.862.710.00
REP. PREAMP. 48CH(1.862.711.00 24CH)
=====
```

```
ELM 1 HEAD CONNECTOR 1 (JAE) (48 CH) P01
PNT SIGNAL NAME COLOR LV TYPE F
-----
1 REPL-31
2 REPH-31
3 REPL-06
4 REPH-06
5 REPL-30
6 REPH-30
7 REPL-05
8 REPH-05
9 REPL-29
10 REPH-29
11 REPL-04
12 REPH-04
13 REPL-28
14 REPH-28
15 REPL-03
16 REPH-03
17 REPL-27
18 REPH-27
19 REPL-02
20 REPH-02
21 REPL-26
22 REPH-26
23 REPL-01
24 REPH-01
25 REPL-25
26 REPH-25
27
28
29 REPL-C1
30 REPH-C1
31 REPH-07
32 REPL-07
33 REPH-32
34 REPL-32
35 REPH-08
36 REPL-08
37 REPH-33
38 REPL-33
39 REPH-09
40 REPL-09
41 REPH-34
42 REPL-34
43 REPH-10
44 REPL-10
45 REPH-35
46 REPL-35
47 REPH-11
-----
```

```
GRP 15 1.862.710.00
<-- <-- <-- CONTINUATION
=====
```

```
ELM 1 <-- <-- <-- CONTINUATION
PNT SIGNAL NAME COLOR LV TYPE F
-----
48 REPL-11
49 REPH-36
50 REPH-36
51 REPH-12
52 REPH-12
53 REPH-TC
54 REPH-TC
55
56
57
58
59
60
-----
```

 * STUDER REVOX AG * L O C A T I O N P I N L I S T * 91/02/19 * 11:24 * P A G E 48 *
 * 1.862.010.00 D820-48 PCM TAPE - RECORDER * 90/03/21 - 00 *
 ASY 1 1.862.100.00 TAPE DECK PCM - MCH <-- <-- <-- CONTINUATION

GRP 15 1.862.710.00
 <-- <-- <-- CONTINUATION

GRP 15 1.862.710.00
 <-- <-- <-- CONTINUATION

GRP 15 1.862.710.00
 <-- <-- <-- CONTINUATION

ELM 1A
 PRINT CONNECTOR 1 (48 CH)

ELM 1A
 <-- <-- <-- CONTINUATION

ELM 2
 HEAD CONNECTOR 2 (JAE) (48 CH) J02

PNT	SIGNAL NAME	COLOR	LV	TYPE	F
1	REPL-31				
2	REPH-07				
3	REPH-31				
4	REPL-07				
5	REPL-06				
6	REPH-32				
7	REPH-06				
8	REPL-32				
9	REPL-30				
10	REPH-08				
11	REPH-30				
12	REPL-08				
13	REPL-05				
14	REPH-33				
15	REPH-05				
16	REPL-33				
17	REPL-29				
18	REPH-09				
19	REPH-29				
20	REPL-09				
21	REPL-04				
22	REPH-34				
23	REPH-04				
24	REPL-34				
25	REPL-28				
26	REPH-10				
27	REPH-28				
28	REPL-10				
29	REPL-03				
30	REPH-35				
31	REPH-03				
32	REPL-35				
33	REPL-27				
34	REPH-11				
35	REPH-27				
36	REPL-11				
37	REPL-02				
38	REPH-36				
39	REPH-02				
40	REPL-36				
41	REPL-26				
42	REPH-12				
43	REPH-26				
44	REPL-12				
45	REPL-01				
46	REPH-TC				
47	REPH-01				

PNT	SIGNAL NAME	COLOR	LV	TYPE	F
48	REPL-TC				
49	REPL-25				
50					
51	REPH-25				
52					
53					
54					
55					
56					
57	REPL-C1				
58					
59	REPH-C1				
60					

PNT	SIGNAL NAME	COLOR	LV	TYPE	F
1					
2					
3	REPL-C2				
4	REPH-C2				
5					
6					
7	REPL-48				
8	REPH-48				
9	REPL-24				
10	REPH-24				
11	REPL-47				
12	REPH-47				
13	REPL-23				
14	REPH-23				
15	REPL-46				
16	REPH-46				
17	REPL-22				
18	REPH-22				
19	REPL-45				
20	REPH-45				
21	REPL-21				
22	REPH-21				
23	REPL-44				
24	REPH-44				
25	REPL-20				
26	REPH-20				
27	REPL-43				
28	REPH-43				
29	REPL-19				
30	REPH-19				
31					
32					
33					
34					
35	REPH-RT				
36	REPL-RT				
37	REPH-13				
38	REPL-13				
39	REPH-37				
40	REPL-37				
41	REPH-14				
42	REPL-14				
43	REPH-38				
44	REPL-38				
45	REPH-15				
46	REPL-15				
47	REPH-39				

STUDER D820 MCH

```
*****
*   STUDER REVOX AG *   L O C A T I O N   P I N   L I S T   * 91/02/19 * 11:24 * PAGE 49 *
*****
*   1.862.010.00 D820-48 PCM TAPE - RECORDER * 90/03/21 - 00 *
*****
ASY 1   1.862.100.00 TAPE DECK PCM - MCH <-- <-- <-- CONTINUATION
```

```
GRP 15   1.862.710.00
<-- <-- <-- CONTINUATION
=====
```

```
ELM 2
<-- <-- <-- CONTINUATION
```

PNT	SIGNAL NAME	COLOR	LV	TYPE	F
48	REPL-39				
49	REPH-16				
50	REPL-16				
51	REPH-40				
52	REPL-40				
53	REPH-17				
54	REPL-17				
55	REPH-41				
56	REPL-41				
57	REPH-18				
58	REPL-18				
59	REPH-42				
60	REPL-42				

```
GRP 15   1.862.710.00
<-- <-- <-- CONTINUATION
=====
```

```
ELM 2A
PRINT CONNECTOR 2 (48 CH)
```

PNT	SIGNAL NAME	COLOR	LV	TYPE	F
1					
2					
3					
4					
5	REPL-C2				
6					
7	REPH-C2				
8					
9					
10	REPH-RT				
11					
12	REPL-RT				
13	REPL-48				
14	REPH-13				
15	REPH-48				
16	REPL-13				
17	REPL-24				
18	REPH-37				
19	REPH-24				
20	REPL-37				
21	REPL-47				
22	REPH-14				
23	REPH-47				
24	REPL-14				
25	REPL-23				
26	REPH-38				
27	REPH-23				
28	REPL-38				
29	REPL-46				
30	REPH-15				
31	REPH-46				
32	REPL-15				
33	REPL-22				
34	REPH-39				
35	REPH-22				
36	REPL-39				
37	REPL-45				
38	REPH-16				
39	REPH-45				
40	REPL-16				
41	REPL-21				
42	REPH-40				
43	REPH-21				
44	REPL-40				
45	REPL-44				
46	REPH-17				
47	REPH-44				

```
GRP 15   1.862.710.00
<-- <-- <-- CONTINUATION
=====
```

```
ELM 2A
<-- <-- <-- CONTINUATION
```

PNT	SIGNAL NAME	COLOR	LV	TYPE	F
48	REPL-17				
49	REPL-20				
50	REPH-41				
51	REPH-20				
52	REPL-41				
53	REPL-43				
54	REPH-18				
55	REPH-43				
56	REPL-18				
57	REPL-19				
58	REPH-42				
59	REPH-19				
60	REPL-42				

```
*****
*   STUDER REVOX AG *   L O C A T I O N   P I N   L I S T   * 91/02/19 * 11:24 * PAGE 50 *
*****
*   1.862.010.00 D820-48 PCM TAPE - RECORDER * 90/03/21 - 00 *
*****
ASY 1   1.862.100.00 TAPE DECK PCM - MCH <-- <-- <-- CONTINUATION
```

```
GRP 15   1.862.710.00
<-- <-- <-- CONTINUATION
=====
```

```
ELM 3
HEAD CONNECTOR 1 (24 CH) PO1
```

PNT	SIGNAL NAME	COLOR	LV	TYPE	F
1	REPH-C1				
2	REPL-TC				
3	REPL-C1				
4	REPH-TC				
5					
6					
7					
8					
9					
10					
11	REPH-01				
12	REPL-12				
13	REPL-01				
14	REPH-12				
15	REPH-02				
16	REPL-11				
17	REPL-02				
18	REPH-11				
19	REPH-03				
20	REPL-10				
21	REPL-03				
22	REPH-10				
23	REPH-04				
24	REPL-09				
25	REPL-04				
26	REPH-09				
27	REPH-05				
28	REPL-08				
29	REPL-05				
30	REPH-08				
31	REPH-06				
32	REPL-07				
33	REPL-06				
34	REPH-07				

```
GRP 15   1.862.710.00
<-- <-- <-- CONTINUATION
=====
```

```
ELM 3A
PRINT CONNECTOR 1 (24 CH)
```

PNT	SIGNAL NAME	COLOR	LV	TYPE	F
1	REPH-C1				
2	REPL-TC				
3	REPL-C1				
4	REPH-TC				
5					
6					
7					
8					
9					
10					
11	REPH-01				
12	REPL-12				
13	REPL-01				
14	REPH-12				
15	REPH-02				
16	REPL-11				
17	REPL-02				
18	REPH-11				
19	REPH-03				
20	REPL-10				
21	REPL-03				
22	REPH-10				
23	REPH-04				
24	REPL-09				
25	REPL-04				
26	REPH-09				
27	REPH-05				
28	REPL-08				
29	REPL-05				
30	REPH-08				
31	REPH-06				
32	REPL-07				
33	REPL-06				
34	REPH-07				

```
GRP 15   1.862.710.00
<-- <-- <-- CONTINUATION
=====
```

```
ELM 4
HEAD CONNECTOR 2 (24 CH) PO2
```

PNT	SIGNAL NAME	COLOR	LV	TYPE	F
1	REPH-19				
2	REPL-18				
3	REPL-19				
4	REPH-18				
5	REPH-20				
6	REPL-17				
7	REPL-20				
8	REPH-17				
9	REPH-21				
10	REPL-16				
11	REPL-21				
12	REPH-16				
13	REPH-22				
14	REPL-15				
15	REPL-22				
16	REPH-15				
17	REPH-23				
18	REPL-14				
19	REPL-23				
20	REPH-14				
21	REPH-24				
22	REPL-13				
23	REPL-24				
24	REPH-13				
25					
26					
27					
28					
29					
30					
31	REPH-C2				
32	REPL-RT				
33	REPL-C2				
34	REPH-RT				

 * STUDER REVOX AG * L O C A T I O N P I N L I S T * 91/02/19 * 11:24 * P A G E 51 *

 * 1.862.010.00 D820-48 PCM TAPE - RECORDER * 90/03/21 - 00 *

 ASY 1 1.862.100.00 TAPE DECK PCM - MCH <-- <-- <-- CONTINUATION

GRP 15 1.862.710.00
 <-- <-- <-- CONTINUATION
 =====

ELM 4A
 PRINT CONNECTOR 2 (24 CH)

PNT	SIGNAL NAME	COLOR	LV	TYPE	F
1	REPH-19				
2	REPL-18				
3	REPL-19				
4	REPH-18				
5	REPH-20				
6	REPL-17				
7	REPL-20				
8	REPH-17				
9	REPH-21				
10	REPL-16				
11	REPL-21				
12	REPH-16				
13	REPH-22				
14	REPL-15				
15	REPL-22				
16	REPH-15				
17	REPH-23				
18	REPL-14				
19	REPL-23				
20	REPH-14				
21	REPH-24				
22	REPL-13				
23	REPL-24				
24	REPH-13				
25					
26					
27					
28					
29					
30					
31	REPH-C2				
32	REPL-RT				
33	REPL-C2				
34	REPH-RT				

./.

GRP 15 1.862.710.00
 <-- <-- <-- CONTINUATION
 =====

ELM 11
 OUTPUT PREAMP. CH 1 TO CH 8 P11

PNT	SIGNAL NAME	COLOR	LV	TYPE	F
1	REPRG-01				
2	REPRS-01				
3	REPRG-02				
4	REPRS-02				
5	REPRG-03				
6	REPRS-03				
7	REPRG-04				
8	REPRS-04				
9	REPRG-05				
10	REPRS-05				
11	REPRG-06				
12	REPRS-06				
13	REPRG-07				
14	REPRS-07				
15	REPRG-08				
16	REPRS-08				

ELM 12
 OUTPUT PREAMP. CH 9 TO CH 16 P12

PNT	SIGNAL NAME	COLOR	LV	TYPE	F
1	REPRG-09				
2	REPRS-09				
3	REPRG-10				
4	REPRS-10				
5	REPRG-11				
6	REPRS-11				
7	REPRG-12				
8	REPRS-12				
9	REPRG-13				
10	REPRS-13				
11	REPRG-14				
12	REPRS-14				
13	REPRG-15				
14	REPRS-15				
15	REPRG-16				
16	REPRS-16				

./.

GRP 15 1.862.710.00
 <-- <-- <-- CONTINUATION
 =====

ELM 13
 OUTPUT PREAMP. CH 17 TO CH 24 P13

PNT	SIGNAL NAME	COLOR	LV	TYPE	F
1	REPRG-17				
2	REPRS-17				
3	REPRG-18				
4	REPRS-18				
5	REPRG-19				
6	REPRS-19				
7	REPRG-20				
8	REPRS-20				
9	REPRG-21				
10	REPRS-21				
11	REPRG-22				
12	REPRS-22				
13	REPRG-23				
14	REPRS-23				
15	REPRG-24				
16	REPRS-24				

ELM 14
 OUTPUT PREAMP. CH 25 TO CH 32 P14

PNT	SIGNAL NAME	COLOR	LV	TYPE	F
1	REPRG-25				
2	REPRS-25				
3	REPRG-26				
4	REPRS-26				
5	REPRG-27				
6	REPRS-27				
7	REPRG-28				
8	REPRS-28				
9	REPRG-29				
10	REPRS-29				
11	REPRG-30				
12	REPRS-30				
13	REPRG-31				
14	REPRS-31				
15	REPRG-32				
16	REPRS-32				

./.

 * STUDER REVOX AG * L O C A T I O N P I N L I S T * 91/02/19 * 11:24 * P A G E 52 *

 * 1.862.010.00 D820-48 PCM TAPE - RECORDER * 90/03/21 - 00 *

 ASY 1 1.862.100.00 TAPE DECK PCM - MCH <-- <-- <-- CONTINUATION

GRP 15 1.862.710.00
 <-- <-- <-- CONTINUATION
 =====

ELM 15
 OUTPUT PREAMP. CH 33 TO CH 40 P15

PNT	SIGNAL NAME	COLOR	LV	TYPE	F
1	REPRG-33				
2	REPRS-33				
3	REPRG-34				
4	REPRS-34				
5	REPRG-35				
6	REPRS-35				
7	REPRG-36				
8	REPRS-36				
9	REPRG-37				
10	REPRS-37				
11	REPRG-38				
12	REPRS-38				
13	REPRG-39				
14	REPRS-39				
15	REPRG-40				
16	REPRS-40				

ELM 16
 OUTPUT PREAMP. CH 41 TO CH 48 P16

PNT	SIGNAL NAME	COLOR	LV	TYPE	F
1	REPRG-41				
2	REPRS-41				
3	REPRG-42				
4	REPRS-42				
5	REPRG-43				
6	REPRS-43				
7	REPRG-44				
8	REPRS-44				
9	REPRG-45				
10	REPRS-45				
11	REPRG-46				
12	REPRS-46				
13	REPRG-47				
14	REPRS-47				
15	REPRG-48				
16	REPRS-48				

./.

GRP 15 1.862.710.00
 <-- <-- <-- CONTINUATION
 =====

ELM 17
 OUTPUT AUX TRACKS P17

PNT	SIGNAL NAME	COLOR	LV	TYPE	F
1	REPRG-TC				
2	REPRS-TC				
3	REPRG-RT				
4	REPRS-RT				
5					
6					
7	REPRG-C2				
8	REPRS-C2				
9	REPRG-C1				
10	REPRS-C1				

ELM 21
 SUPPLY CONNECTOR P21

PNT	SIGNAL NAME	COLOR	LV	TYPE	F
1	+ 5.6			BX	
2	+ 0.0			BX	
3	+12.0			BX	
4	-12.0			BX	

GRP 16 1.862.743.00
 PREAMPLIFIER SUPPLY
 =====

ELM 1
 FROM GRP 35, ELM 64 P01

PNT	SIGNAL NAME	COLOR	LV	TYPE	F
1	+ 5.6			BX	
2	+ 0.0			BX	
3	+15.0			BX	
4	+ 0.0			BX	
5	-15.0			BX	

ELM 2
 TO GRP 15, ELM 21 P02

PNT	SIGNAL NAME	COLOR	LV	TYPE	F
1	+ 5.6			BX	
2	+ 0.0			BX	
3	+12.0			BX	
4	-12.0			BX	

STUDER D820 MCH

```
*****
*   STUDER REVOX AG *   L O C A T I O N   P I N   L I S T   * 91/02/19 * 11:24 * PAGE 53 *
*****
*   1.862.010.00 D820-48 PCM TAPE - RECORDER * 90/03/21 - 00 *
*****
ASY 1   1.862.100.00 TAPE DECK PCM - MCH
```

```
GRP 19   1.862.704.00
BASIS BOARD AUDIO CONTROLLER
```

```
GRP 19   1.862.704.00
<-- <-- <-- CONTINUATION
```

```
GRP 19   1.862.704.00
<-- <-- <-- CONTINUATION
```

```
ELM 1
RESERVE J01
```

```
ELM 1
<-- <-- <-- CONTINUATION
```

```
ELM 2
RESERVE J02
```

```
PNT SIGNAL NAME COLOR LV TYPE F
```

```
PNT SIGNAL NAME COLOR LV TYPE F
```

```
PNT SIGNAL NAME COLOR LV TYPE F
```

```
1A
1B
2A
2B
3A
3B
4A
4B
5A
5B
6A
6B
7A
7B
8A
8B
9A
9B
10A
10B
11A
11B
12A
12B
13A
13B
14A
14B
15A +15.0
15B +15.0
16A + 5.6
16B + 5.6
17A + 0.0
17B + 0.0
18A -15.0
18B -15.0
19A
19B
20A
20B
21A
21B
22A
22B
23A
23B
24A
```

```
24B
25A
25B
26A
26B
27A
27B
28A
28B
29A
29B
30A
30B
31A
31B TC-RES1
32A TD-C76K
32B TD-C307K
```

```
1A
1B
2A
2B
3A
3B
4A
4B
5A
5B
6A
6B
7A
7B
8A
8B
9A
9B
10A
10B
11A
11B
12A
12B
13A
13B
14A
14B
15A +15.0
15B +15.0
16A + 5.6
16B + 5.6
17A + 0.0
17B + 0.0
18A -15.0
18B -15.0
19A
19B
20A
20B
21A
21B
22A
22B
23A
23B
24A
```

 * STUDER REVOX AG * L O C A T I O N P I N N L I S T * 91/02/19 * 11:24 * P A G E 54 *

 * 1.862.010.00 D820-48 PCM TAPE - RECORDER * 90/03/21 - 00 *

 ASY 1 1.862.100.00 TAPE DECK PCM - MCH <-- <-- <-- CONTINUATION

GRP 19 1.862.704.00
 <-- <-- <-- CONTINUATION
 =====

ELM 2 <-- <-- <-- CONTINUATION

PNT	SIGNAL NAME	COLOR	LV	TYPE	F
24B					
25A					
25B					
26A					
26B					
27A					
27B					
28A					
28B					
29A					
29B					
30A					
30B					
31A					
31B	TC-RES1				
32A	TD-76K				
32B	TD-307K				

./.

GRP 19 1.862.704.00
 <-- <-- <-- CONTINUATION
 =====

ELM 3 1.862.720.00
 REPRODUCE CONTROLLER J03

PNT	SIGNAL NAME	COLOR	LV	TYPE	F
1A	PI-SVAL				
1B	PI-ISVAL				
2A	PI-SDAT				
2B	PI-ISDAT				
3A	PI-STPH				
3B	PI-ISTPH				
4A	PI-SCLK				
4B	PI-ISCLK				
5A					
5B					
6A	BTC-SPD1				
6B	BTC-SPD2				
7A	D-SCLKEQ				
7B	RES-EQ1				
8A	D-ILD0EQ				
8B	RES-EQ2				
9A	D-EQDATA				
9B	RES-EQ3				
10A	A-MESRF				
10B	A-MESRFO				
11A	D-SCLKPB				
11B	RES-EQ4				
12A	D-ILD0PB				
12B	RES-EQ5				
13A	D-PBDATA				
13B	RES-EQ6				
14A					
14B					
15A	+15.0				
15B	+15.0				
16A	+ 5.6				
16B	+ 5.6				
17A	+ 0.0				
17B	+ 0.0				
18A	-15.0				
18B	-15.0				
19A					
19B					
20A					
20B					
21A					
21B					
22A					
22B					
23A					
23B					
24A					

./.

GRP 19 1.862.704.00
 <-- <-- <-- CONTINUATION
 =====

ELM 3 1.862.720.00
 <-- <-- <-- CONTINUATION

PNT	SIGNAL NAME	COLOR	LV	TYPE	F
24B					
25A					
25B					
26A					
26B					
27A					
27B	A-MESRAM				
28A					
28B					
29A					
29B					
30A					
30B	TC-SPD1				
31A	TC-SPD2				
31B	TC-RES1				
32A	TD-C76K				
32B	TD-C307K				

./.

STUDER D820 MCH

```
*****
*   STUDER REVOX AG *   L O C A T I O N   P I N   L I S T   *   91/02/19 *   11:24 *   P A G E   55   *
*****
*   1.862.010.00 D820-48 PCM TAPE - RECORDER *   90/03/21 - 00 *
*****
ASY 1   1.862.100.00 TAPE DECK PCM - MCH                                     <-- <-- <-- CONTINUATION
```

```
GRP 19   1.862.704.00
<-- <-- <-- CONTINUATION
=====
```

```
ELM 4   1.862.718.00
RECORD CONTROLLER J04
-----
```

```
PNT SIGNAL NAME COLOR LV TYPE F
```

```
1A PI-SVAL
1B PI-ISVAL
2A PI-SDAT
2B PI-ISDAT
3A PI-STPH
3B PI-ISTPH
4A PI-SCLK
4B PI-ISCLK
5A D-MSAFE
5B D-IMSAFE
6A D-SCLK
6B D-ISCLK
7A D-REC
7B D-IREC
8A D-ILDIPR
8B DIILDIPR
9A D-ILDISR
9B DIILDISR
10A
10B
11A
11B
12A
12B
13A
13B
14A
14B
15A +15.0
15B +15.0
16A + 5.6
16B + 5.6
17A + 0.0
17B + 0.0
18A -15.0
18B -15.0
19A
19B
20A
20B
21A
21B
22A
22B
23A
23B
24A
```

```
GRP 19   1.862.704.00
<-- <-- <-- CONTINUATION
=====
```

```
ELM 4   1.862.718.00
<-- <-- <-- CONTINUATION
-----
```

```
PNT SIGNAL NAME COLOR LV TYPE F
```

```
24B
25A D-DCDATA
25B D-ILDWR
26A D-SCLKWR
26B D-ILDOR
27A D-SCLK-R
27B
28A D-MESOUT
28B D-SAFE
29A D-SCLKWR
29B D-ILD2ER
30A D-ERDATA
30B TC-SPD1
31A TC-SPD2
31B TC-RES1
32A TD-C76K
32B TD-C307K
-----
```

```
GRP 19   1.862.704.00
<-- <-- <-- CONTINUATION
=====
```

```
ELM 5   1.862.717.00
ERASE CURRENT DRIVER J05
-----
```

```
PNT SIGNAL NAME COLOR LV TYPE F
```

```
1A ERH-TC
1B ERL-TC
2A ERH-RT
2B ERL-RT
3A ERH-C2
3B ERL-C2
4A ERH-C1
4B ERL-C1
5A
5B
6A
6B
7A A-EDC+TC
7B
8A
8B
9A A-EDC+RT
9B
10A A-EDC+C2
10B
11A
11B
12A A-EDC+C1
12B
13A
13B
14A
14B
15A +15.0
15B +15.0
16A + 5.6
16B + 5.6
17A + 0.0
17B + 0.0
18A -15.0
18B -15.0
19A
19B
20A
20B
21A
21B
22A
22B
23A
23B
24A
```

 * STUDER REVOX AG * L O C A T I O N P I N L I S T * 91/02/19 * 11:24 * P A G E 56 *

 * 1.862.010.00 D820-48 PCM TAPE - RECORDER * 90/03/21 - 00 *

 ASY 1 1.862.100.00 TAPE DECK PCM - MCH <-- <-- <-- CONTINUATION

GRP 19 1.862.704.00
 <-- <-- <-- CONTINUATION
 =====

ELM 5 1.862.717.00
 <-- <-- <-- CONTINUATION

PNT	SIGNAL NAME	COLOR	LV	TYPE	F
24B					
25A					
25B					
26A					
26B					
27A					
27B					
28A					
28B	D-SAFE				
29A	D-SCLKWR				
29B	D-ILD2ER				
30A	D-ERDATA				
30B					
31A					
31B					
32A	TD-C76K				
32B	TD-C307K				

./.

GRP 19 1.862.704.00
 <-- <-- <-- CONTINUATION
 =====

ELM 6 1.862.716.00
 CURRENT DRIVER (RT,TC,CUE 1/2) J06

PNT	SIGNAL NAME	COLOR	LV	TYPE	F
1A	A-RDC+TC				
1B	A-RDC-TC				
2A	A-RSENRT				
2B	A-RSENC1				
3A	A-RDC+RT				
3B	A-RDC-RT				
4A	A-RDC+C2				
4B	A-RDC-C2				
5A	A-RSENC1				
5B	A-RSENC2				
6A	A-RDC+C1				
6B	A-RDC-C1				
7A	A-EDC+TC				
7B	A-EDC-TC				
8A	+VREC				
8B	D-SAFE				
9A	A-EDC+RT				
9B	A-EDC-RT				
10A	A-EDC+C2				
10B	A-EDC-C2				
11A	-VREC				
11B	+ 0.0				
12A	A-EDC+C1				
12B	A-EDC-C1				
13A	+VREC				
13B	+VREC				
14A	-VREC				
14B	-VREC				
15A	+15.0				
15B	+15.0				
16A	+ 5.6				
16B	+ 5.6				
17A	+ 0.0				
17B	+ 0.0				
18A	-15.0				
18B	-15.0				
19A					
19B	A-MESREF				
20A					
20B					
21A					
21B					
22A					
22B					
23A					
23B					
24A					

./.

GRP 19 1.862.704.00
 <-- <-- <-- CONTINUATION
 =====

ELM 6 1.862.716.00
 <-- <-- <-- CONTINUATION

PNT	SIGNAL NAME	COLOR	LV	TYPE	F
24B					
25A	D-DCDATA				
25B	D-ILDWR				
26A	D-SCLKWR				
26B	D-ILDOR				
27A	D-SCLK-R				
27B					
28A	D-MESOUT				
28B	D-SAFE				
29A					
29B					
30A					
30B					
31A					
31B					
32A	D-CS-ER				
32B	D-CS-ER				

./.

STUDER D820 MCH

```
*****
*   STUDER REVOX AG   *   L O C A T I O N   P I N   L I S T   *   91/02/19 * 11:24 * PAGE 57 *
*****
*   1.862.010.00 D820-48 PCM TAPE - RECORDER   *   90/03/21 - 00   *
*****
ASY 1   1.862.100.00 TAPE DECK PCM - MCH
```

```
GRP 19   1.862.704.00   GRP 19   1.862.704.00   GRP 19   1.862.704.00
<-- <-- <-- CONTINUATION   <-- <-- <-- CONTINUATION   <-- <-- <-- CONTINUATION
=====
```

```
ELM 7   1.862.719.00   ELM 7   1.862.719.00   ELM 7   1.862.719.00
RECORD CURRENT SUPPLY (+VREC) J07   <-- <-- <-- CONTINUATION   <-- <-- <-- CONTINUATION
-----
```

PNT	SIGNAL NAME	COLOR	LV	TYPE	F	PNT	SIGNAL NAME	COLOR	LV	TYPE	F	PNT	SIGNAL NAME	COLOR	LV	TYPE	F
1A	+STABIN3					16C	+ 5.6					32C					2
1B	+STABIN3					17A	+ 0.0										
1C	+STABIN3					17B	+ 0.0										./.
2A	+STABIN3					17C	+ 0.0										
2B	+STABIN3					18A	-15.0										
2C	+STABIN3					18B	-15.0										
3A						18C	-15.0										
3B						19A											
3C						19B											
4A	OSTABIN					19C											
4B	OSTABIN					20A											
4C	OSTABIN					20B											
5A	OSTABIN					20C											
5B	OSTABIN					21A											
5C	OSTABIN					21B											
6A						21C											
6B						22A											
6C						22B											
7A						22C											
7B						23A	TD-C76K										
7C						23B	TD-C76K										
8A						23C	TD-C76K										
8B						24A	TD-307K										
8C						24B	TD-307K										
9A						24C	TD-307K										
9B						25A											
9C						25B											
10A	+VREC					25C											
10B	+VREC					26A											
10C	+VREC					26B											
11A	+ 0.0					26C											
11B	+ 0.0					27A											
11C	+ 0.0					27B											
12A						27C											
12B						28A	D-SAFE										
12C						28B	D-SAFE										
13A	+VREC					28C	D-SAFE										
13B	+VREC					29A	AN-VREC+										
13C	+VREC					29B	AN-VREC+										
14A	+ 0.0					29C	AN-VREC+										
14B	+ 0.0					30A											
14C	+ 0.0					30B											
15A	+15.0					30C											
15B	+15.0					31A											
15C	+15.0					31B											
16A	+ 5.6					32A											
16B	+ 5.6					32B											

```
*****
*   STUDER REVOX AG *   L O C A T I O N   P I N   L I S T   * 91/02/19 * 11:24 * PAGE 58 *
*****
*   1.862.010.00 D820-48 PCM TAPE - RECORDER * 90/03/21 - 00 *
*****
ASY 1   1.862.100.00 TAPE DECK PCM - MCH
```

```
GRP 19   1.862.704.00
<-- <-- <-- CONTINUATION
=====
```

```
ELM 8   1.862.719.00
RECORD CURRENT SUPPLY (-VREC)   J08
```

```
-----
PNT SIGNAL NAME   COLOR LV TYPE   F
```

```
1A +STABIN3
1B +STABIN3
1C +STABIN3
2A +STABIN3
2B +STABIN3
2C +STABIN3
3A
3B
3C
4A OSTABIN
4B OSTABIN
4C OSTABIN
5A OSTABIN
5B OSTABIN
5C OSTABIN
6A
6B
6C
7A
7B
7C
8A
8B
8C
9A
9B
9C
10A + 0.0
10B + 0.0
10C + 0.0
11A -VREC
11B -VREC
11C -VREC
12A
12B
12C
13A + 0.0
13B + 0.0
13C + 0.0
14A -VREC
14B -VREC
14C -VREC
15A +15.0
15B +15.0
15C +15.0
16A + 5.6
16B + 5.6
```

./.

```
GRP 19   1.862.704.00
<-- <-- <-- CONTINUATION
=====
```

```
ELM 8   1.862.719.00
<-- <-- <-- CONTINUATION
```

```
-----
PNT SIGNAL NAME   COLOR LV TYPE   F
```

```
16C + 5.6
17A + 0.0
17B + 0.0
17C + 0.0
18A -15.0
18B -15.0
18C -15.0
19A
19B
19C
20A
20B
20C
21A
21B
21C
22A
22B
22C
23A TD-C76K
23B TD-C76K
23C TD-C76K
24A TD-307K
24B TD-307K
24C TD-307K
25A
25B
25C
26A
26B
26C
27A
27B
27C
28A D-SAFE
28B D-SAFE
28C D-SAFE
29A AN-VREC-
29B AN-VREC-
29C AN-VREC-
30A
30B
30C
31A
31B
32A
32B
```

./.

```
GRP 19   1.862.704.00
<-- <-- <-- CONTINUATION
=====
```

```
ELM 8   1.862.719.00
<-- <-- <-- CONTINUATION
```

```
-----
PNT SIGNAL NAME   COLOR LV TYPE   F
```

```
32C
-----
2
./.
```

STUDER D820 MCH

```

*****
* STUDER REVOX AG * L O C A T I O N P I N L I S T * 91/02/19 * 11:24 * P A G E 59 *
*****
* 1.862.010.00 D820-48 PCM TAPE - RECORDER * 90/03/21 - 00 *
*****
ASY 1 1.862.100.00 TAPE DECK PCM - MCH <-- <-- <-- CONTINUATION
  
```

```

GRP 19 1.862.704.00
<-- <-- <-- CONTINUATION
=====
  
```

```

ELM 9 1.862.716.00
RECORD CURRENT DRIVER CH 1..8 J09
-----
  
```

PNT	SIGNAL NAME	COLOR	LV	TYPE	F
1A	A-RDC+08				
1B	A-RDC-08				
2A	A-RSEN07				
2B	A-RSEN08				
3A	A-RDC+07				
3B	A-RDC-07				
4A	A-RDC+06				
4B	A-RDC-06				
5A	A-RSEN05				
5B	A-RSEN06				
6A	A-RDC+05				
6B	A-RDC-05				
7A	A-RDC+04				
7B	A-RDC-04				
8A	A-RSEN03				
8B	A-RSEN04				
9A	A-RDC+03				
9B	A-RDC-03				
10A	A-RDC+02				
10B	A-RDC-02				
11A	A-RSEN01				
11B	A-RSEN02				
12A	A-RDC+01				
12B	A-RDC-01				
13A	+VREC				
13B	+VREC				
14A	-VREC				
14B	-VREC				
15A	+15.0				
15B	+15.0				
16A	+ 5.6				
16B	+ 5.6				
17A	+ 0.0				
17B	+ 0.0				
18A	-15.0				
18B	-15.0				
19A					
19B	A-MESREF				
20A					
20B					
21A					
21B					
22A					
22B					
23A					
23B					
24A					

./.

```

GRP 19 1.862.704.00
<-- <-- <-- CONTINUATION
=====
  
```

```

ELM 9 1.862.716.00
<-- <-- <-- CONTINUATION
-----
  
```

PNT	SIGNAL NAME	COLOR	LV	TYPE	F
24B					
25A	D-DCDATA				
25B	D-ILDQMR				
26A	D-SCLKWR				
26B	D-ILDOR				
27A	D-SCLK-R				
27B					
28A	D-MESOUT				
28B	D-SAFE				
29A					
29B					
30A					
30B					
31A					
31B	D-CS-01				
32A					
32B	D-CS-01				

./.

```

GRP 19 1.862.704.00
<-- <-- <-- CONTINUATION
=====
  
```

```

ELM 10 1.862.716.00
RECORD CURRENT DRIVER CH 9..16 J10
-----
  
```

PNT	SIGNAL NAME	COLOR	LV	TYPE	F
1A	A-RDC+16				
1B	A-RDC-16				
2A	A-RSEN15				
2B	A-RSEN16				
3A	A-RDC+15				
3B	A-RDC-15				
4A	A-RDC+14				
4B	A-RDC-14				
5A	A-RSEN13				
5B	A-RSEN14				
6A	A-RDC+13				
6B	A-RDC-13				
7A	A-RDC+12				
7B	A-RDC-12				
8A	A-RSEN11				
8B	A-RSEN12				
9A	A-RDC+11				
9B	A-RDC-11				
10A	A-RDC+10				
10B	A-RDC-10				
11A	A-RSEN09				
11B	A-RSEN10				
12A	A-RDC+09				
12B	A-RDC-09				
13A	+VREC				
13B	+VREC				
14A	-VREC				
14B	-VREC				
15A	+15.0				
15B	+15.0				
16A	+ 5.6				
16B	+ 5.6				
17A	+ 0.0				
17B	+ 0.0				
18A	-15.0				
18B	-15.0				
19A					
19B	A-MESREF				
20A					
20B					
21A					
21B					
22A					
22B					
23A					
23B					
24A					

./.


```
*****
* STUDER REVOX AG * L O C A T I O N P I N L I S T * 91/02/19 * 11:24 * P A G E 60 *
* 1.862.010.00 D820-48 PCM TAPE - RECORDER * 90/03/21 - 00 *
*****
ASY 1 1.862.100.00 TAPE DECK PCM - MCH <-- <-- <-- CONTINUATION
```

```
GRP 19 1.862.704.00
<-- <-- <-- CONTINUATION
=====
```

```
ELM 10 1.862.716.00
<-- <-- <-- CONTINUATION
-----
```

```
PNT SIGNAL NAME COLOR LV TYPE F
-----
24B
25A D-DCDATA
25B D-ILDOWR
26A D-SCLKWR
26B D-ILDOR
27A D-SCLK-R
27B
28A D-MESOUT
28B D-SAFE
29A
29B
30A
30B
31A D-CS-02
31B
32A
32B D-CS-02
-----
./.
```

```
GRP 19 1.862.704.00
<-- <-- <-- CONTINUATION
=====
```

```
ELM 11 1.862.716.00
RECORD CURRENT DRIVER CH 17..24 J11
-----
```

```
PNT SIGNAL NAME COLOR LV TYPE F
-----
1A A-RDC+24
1B A-RDC-24
2A A-RSEN23
2B A-RSEN24
3A A-RDC+23
3B A-RDC-23
4A A-RDC+22
4B A-RDC-22
5A A-RSEN21
5B A-RSEN22
6A A-RDC+21
6B A-RDC-21
7A A-RDC+20
7B A-RDC-20
8A A-RSEN19
8B A-RSEN20
9A A-RDC+19
9B A-RDC-19
10A A-RDC+18
10B A-RDC-18
11A A-RSEN17
11B A-RSEN18
12A A-RDC+17
12B A-RDC-17
13A +VREC
13B +VREC
14A -VREC
14B -VREC
15A +15.0
15B +15.0
16A + 5.6
16B + 5.6
17A + 0.0
17B + 0.0
18A -15.0
18B -15.0
19A
19B A-MESREF
20A
20B
21A
21B
22A
22B
23A
23B
24A
-----
./.
```

```
GRP 19 1.862.704.00
<-- <-- <-- CONTINUATION
=====
```

```
ELM 11 1.862.716.00
<-- <-- <-- CONTINUATION
-----
```

```
PNT SIGNAL NAME COLOR LV TYPE F
-----
24B
25A D-DCDATA
25B D-ILDOWR
26A D-SCLKWR
26B D-ILDOR
27A D-SCLK-R
27B
28A D-MESOUT
28B D-SAFE
29A
29B
30A
30B D-CS-03
31A
31B
32A
32B D-CS-03
-----
./.
```

STUDER D820 MCH

```
*****
*   STUDER REVOX AG   *   L O C A T I O N   P I N   L I S T   *   91/02/19 * 11:24 * PAGE 61 *
*****
*   1.862.010.00 D820-48 PCM TAPE - RECORDER *   90/03/21 - 00 *
*****
ASY 1   1.862.100.00 TAPE DECK PCM - MCH
```

```
GRP 19   1.862.704.00
<-- <-- <-- CONTINUATION
=====
```

```
ELM 12   1.862.716.00
RECORD CURRENT DRIVER CH 25..32 J12
```

PNT	SIGNAL NAME	COLOR	LV	TYPE	F
1A	A-RDC+32				
1B	A-RDC-32				
2A	A-RSEN31				
2B	A-RSEN32				
3A	A-RDC+31				
3B	A-RDC-31				
4A	A-RDC+30				
4B	A-RDC-30				
5A	A-RSEN29				
5B	A-RSEN30				
6A	A-RDC+29				
6B	A-RDC-29				
7A	A-RDC+28				
7B	A-RDC-28				
8A	A-RSEN27				
8B	A-RSEN28				
9A	A-RDC+27				
9B	A-RDC-27				
10A	A-RDC+26				
10B	A-RDC-26				
11A	A-RSEN25				
11B	A-RSEN26				
12A	A-RDC+25				
12B	A-RDC-25				
13A	+VREC				
13B	+VREC				
14A	-VREC				
14B	-VREC				
15A	+15.0				
15B	+15.0				
16A	+ 5.6				
16B	+ 5.6				
17A	+ 0.0				
17B	+ 0.0				
18A	-15.0				
18B	-15.0				
19A					
19B	A-MESREF				
20A					
20B					
21A					
21B					
22A					
22B					
23A					
23B					
24A					

```
GRP 19   1.862.704.00
<-- <-- <-- CONTINUATION
=====
```

```
ELM 12   1.862.716.00
<-- <-- <-- CONTINUATION
```

PNT	SIGNAL NAME	COLOR	LV	TYPE	F
24B					
25A	D-DCDATA				
25B	D-ILD0WR				
26A	D-SCLKWR				
26B	D-ILD0R				
27A	D-SCLK-R				
27B					
28A	D-MESOUT				
28B	D-SAFE				
29A					
29B					
30A	D-CS-04				
30B					
31A					
31B					
32A					
32B	D-CS-04				

```
GRP 19   1.862.704.00
<-- <-- <-- CONTINUATION
=====
```

```
ELM 13   1.862.716.00
RECORD CURRENT DRIVER CH 33..40 J13
```

PNT	SIGNAL NAME	COLOR	LV	TYPE	F
1A	A-RDC+40				
1B	A-RDC-40				
2A	A-RSEN39				
2B	A-RSEN40				
3A	A-RDC+39				
3B	A-RDC-39				
4A	A-RDC+38				
4B	A-RDC-38				
5A	A-RSEN37				
5B	A-RSEN38				
6A	A-RDC+37				
6B	A-RDC-37				
7A	A-RDC+36				
7B	A-RDC-36				
8A	A-RSEN35				
8B	A-RSEN36				
9A	A-RDC+35				
9B	A-RDC-35				
10A	A-RDC+34				
10B	A-RDC-34				
11A	A-RSEN33				
11B	A-RSEN34				
12A	A-RDC+33				
12B	A-RDC-33				
13A	+VREC				
13B	+VREC				
14A	-VREC				
14B	-VREC				
15A	+15.0				
15B	+15.0				
16A	+ 5.6				
16B	+ 5.6				
17A	+ 0.0				
17B	+ 0.0				
18A	-15.0				
18B	-15.0				
19A					
19B	A-MESREF				
20A					
20B					
21A					
21B					
22A					
22B					
23A					
23B					
24A					

 * STUDER REVOX AG * L O C A T I O N P I N L I S T * 91/02/19 * 11:24 * P A G E 62 *
 * 1.862.010.00 D820-48 PCM TAPE - RECORDER * 90/03/21 - 00 *
 ASY 1 1.862.100.00 TAPE DECK PCM - MCH <-- <-- <-- CONTINUATION

GRP 19 1.862.704.00
 <-- <-- <-- CONTINUATION

ELM 13 1.862.716.00
 <-- <-- <-- CONTINUATION

PNT	SIGNAL NAME	COLOR	LV	TYPE	F
24B	D-DCDATA				
25A	D-ILDMR				
26A	D-SCLKMR				
26B	D-ILDMR				
27A	D-SCLK-R				
27B					
28A	D-MESOUT				
28B	D-SAFE				
29A					
29B	D-CS-05				
30A					
30B					
31A					
31B					
32A					
32B	D-CS-05				

./.

GRP 19 1.862.704.00
 <-- <-- <-- CONTINUATION

ELM 14 1.862.716.00
 RECORD CURRENT DRIVER CH 41.48 J14

PNT	SIGNAL NAME	COLOR	LV	TYPE	F
1A	A-RDC+48				
1B	A-RDC-48				
2A	A-RSEN47				
2B	A-RSEN48				
3A	A-RDC+47				
3B	A-RDC-47				
4A	A-RDC+46				
4B	A-RDC-46				
5A	A-RSEN45				
5B	A-RSEN46				
6A	A-RDC+45				
6B	A-RDC-45				
7A	A-RDC+44				
7B	A-RDC-44				
8A	A-RSEN43				
8B	A-RSEN44				
9A	A-RDC+43				
9B	A-RDC-43				
10A	A-RDC+42				
10B	A-RDC-42				
11A	A-RSEN41				
11B	A-RSEN42				
12A	A-RDC+41				
12B	A-RDC-41				
13A	+VREC				
13B	+VREC				
14A	-VREC				
14B	-VREC				
15A	+15.0				
15B	+15.0				
16A	+ 5.6				
16B	+ 5.6				
17A	+ 0.0				
17B	+ 0.0				
18A	-15.0				
18B	-15.0				
19A					
19B	A-MESREF				
20A					
20B					
21A					
21B					
22A					
22B					
23A					
23B					
24A					

GRP 19 1.862.704.00
 <-- <-- <-- CONTINUATION

ELM 14 1.862.716.00
 <-- <-- <-- CONTINUATION

PNT	SIGNAL NAME	COLOR	LV	TYPE	F
24B	D-DCDATA				
25A	D-ILDMR				
26A	D-SCLKMR				
26B	D-ILDMR				
27A	D-SCLK-R				
27B					
28A	D-MESOUT				
28B	D-SAFE				
29A	D-CS-06				
29B					
30A					
30B					
31A					
31B					
32A					
32B	D-CS-06				

ELM 31 54.14.2002
 EQUALIZER CONTROL P31

PNT	SIGNAL NAME	COLOR	LV	TYPE	F
1	BTC-SPD1				
2	BTC-SPD2				
3	D-SCLKEQ				
4	RES-EQ1				
5	D-ILDOEQ				
6	RES-EQ2				
7	D-EQDATA				
8	RES-EQ3				
9	A-MESRF				
10	A-MESRFO				
11	D-SCLKPB				
12	RES-EQ4				
13	D-ILDOPB				
14	RES-EQ5				
15	D-PBDATA				
16	RES-EQ6				

./.

 * STUDER REVOX AG * L O C A T I O N P I N L I S T * 91/02/19 * 11:24 * P A G E 63 *
 * 1.862.010.00 D820-48 PCM TAPE - RECORDER * 90/03/21 - 00 *
 ASY 1 1.862.100.00 TAPE DECK PCM - MCH <-- <-- <-- CONTINUATION

GRP 19 1.862.704.00
 <-- <-- <-- CONTINUATION

ELM 32 54.14.2001
 SERBUS AUDIO CONTROL CONNECTOR P32

PNT	SIGNAL NAME	COLOR	LV	TYPE	F
1	PI-SCLK				
2	PI-TSCLK				
3	PI-STPH				
4	PI-ISTPH				
5	PI-SDAT				
6	PI-ISDAT				
7	PI-SVAL				
8	PI-ISVAL				
9	+ 0.0				
10	+ 0.0				

GRP 19 1.862.704.00
 <-- <-- <-- CONTINUATION

ELM 35 1.862.704.00
 ERASE HEAD P35

PNT	SIGNAL NAME	COLOR	LV	TYPE	F
1	ERH-C1		B		
2	ERH-C2		B		
3	ERH-RT		B		
4	ERH-TC		B		
5	ERH-TC		B		
6	ERL-C1		B		
7	ERL-C2		B		
8	ERL-RT		B		
9	ERL-TC		B		

GRP 19 1.862.704.00
 <-- <-- <-- CONTINUATION

ELM 38 54.25.0003
 INPUT RECORD CURRENT SUPPLY P38

PNT	SIGNAL NAME	COLOR	LV	TYPE	F
1	+STABIN3		BX		
2	OSTABIN		BX		
3			BX		

ELM 39 54.14.2003
 RECORD CURRENT CH 1..8 P39

PNT	SIGNAL NAME	COLOR	LV	TYPE	F
1	A-RDC+01				
2	A-RDC-01				
3	A-RSEN01				
4	A-RSEN02				
5	A-RDC+02				
6	A-RDC-02				
7	A-RDC+03				
8	A-RDC-03				
9	A-RSEN03				
10	A-RSEN04				
11	A-RDC+04				
12	A-RDC-04				
13	A-RDC+05				
14	A-RDC-05				
15	A-RSEN05				
16	A-RSEN06				
17	A-RDC+06				
18	A-RDC-06				
19	A-RDC+07				
20	A-RDC-07				
21	A-RSEN07				
22	A-RSEN08				
23	A-RDC+08				
24	A-RDC-08				
25	+ 0.0				
26	+ 0.0				

./.

ELM 33 54.14.2001
 CONTROL PRIMARY REC. AMPLIFIER P33

PNT	SIGNAL NAME	COLOR	LV	TYPE	F
1	D-REC				
2	D-IREC				
3	D-SCLK				
4	D-ISCLK				
5	D-ILD1PR				
6	DIILD1PR				
7	D-MSAFE				
8	D-IMSAFE				
9					
10					

ELM 36 54.14.2002
 RECORD CURRENT RT/TC/CUE P36

PNT	SIGNAL NAME	COLOR	LV	TYPE	F
1	A-RDC+C1				
2	A-RDC-C1				
3	A-RSEN1				
4	A-RSEN2				
5	A-RDC+C2				
6	A-RDC-C2				
7	A-RDC+RT				
8	A-RDC-RT				
9	A-RSENRT				
10	A-RSENTC				
11	A-RDC+TC				
12	A-RDC-TC				
13					
14					
15					
16					

ELM 34 54.14.2001
 CONTROL SYNC REC. AMPLIFIER P34

PNT	SIGNAL NAME	COLOR	LV	TYPE	F
1	D-REC				
2	D-IREC				
3	D-SCLK				
4	D-ISCLK				
5	D-ILD1SR				
6	DIILD1SR				
7	D-MSAFE				
8	D-IMSAFE				
9					
10					

ELM 37 54.25.0004
 OUTPUT RECORD CURRENT SUPPLY P37

PNT	SIGNAL NAME	COLOR	LV	TYPE	F
1	+VREC		BX		
2	+VREC		BX		
3	-VREC		BX		
4	-VREC		BX		

STUDER D820 MCH

 * STUDER REVOX AG * L O C A T I O N P I N L I S T * 91/02/19 * 11:24 * P A G E 64 *

 * 1.862.010.00 D820-48 PCM TAPE - RECORDER * 90/03/21 - 00 *

 ASY 1 1.862.100.00 TAPE DECK PCM - MCH <-- <-- <-- CONTINUATION

GRP 19 1.862.704.00
 <-- <-- <-- CONTINUATION

ELM 40 54.14.2003
 RECORD CURRENT CH 9..16 P40

PNT	SIGNAL NAME	COLOR	LV TYPE	F
1	A-RDC+09			
2	A-RDC-09			
3	A-RSEN09			
4	A-RSEN10			
5	A-RDC+10			
6	A-RDC-10			
7	A-RDC+11			
8	A-RDC-11			
9	A-RSEN11			
10	A-RSEN12			
11	A-RDC+12			
12	A-RDC-12			
13	A-RDC+13			
14	A-RDC-13			
15	A-RSEN13			
16	A-RSEN14			
17	A-RDC+14			
18	A-RDC-14			
19	A-RDC+15			
20	A-RDC-15			
21	A-RSEN15			
22	A-RSEN16			
23	A-RDC+16			
24	A-RDC-16			
25	+ 0.0			
26	+ 0.0			

GRP 19 1.862.704.00
 <-- <-- <-- CONTINUATION

ELM 41 54.14.2003
 RECORD CURRENT CH 17..24 P41

PNT	SIGNAL NAME	COLOR	LV TYPE	F
1	A-RDC+17			
2	A-RDC-17			
3	A-RSEN17			
4	A-RSEN18			
5	A-RDC+18			
6	A-RDC-18			
7	A-RDC+19			
8	A-RDC-19			
9	A-RSEN19			
10	A-RSEN20			
11	A-RDC+20			
12	A-RDC-20			
13	A-RDC+21			
14	A-RDC-21			
15	A-RSEN21			
16	A-RSEN22			
17	A-RDC+22			
18	A-RDC-22			
19	A-RDC+23			
20	A-RDC-23			
21	A-RSEN23			
22	A-RSEN24			
23	A-RDC+24			
24	A-RDC-24			
25	+ 0.0			
26	+ 0.0			

GRP 19 1.862.704.00
 <-- <-- <-- CONTINUATION

ELM 42 54.14.2003
 RECORD CURRENT CH 25..32 P42

PNT	SIGNAL NAME	COLOR	LV TYPE	F
1	A-RDC+25			
2	A-RDC-25			
3	A-RSEN25			
4	A-RSEN26			
5	A-RDC+26			
6	A-RDC-26			
7	A-RDC+27			
8	A-RDC-27			
9	A-RSEN27			
10	A-RSEN28			
11	A-RDC+28			
12	A-RDC-28			
13	A-RDC+29			
14	A-RDC-29			
15	A-RSEN29			
16	A-RSEN30			
17	A-RDC+30			
18	A-RDC-30			
19	A-RDC+31			
20	A-RDC-31			
21	A-RSEN31			
22	A-RSEN32			
23	A-RDC+32			
24	A-RDC-32			
25	+ 0.0			
26	+ 0.0			

 * STUDER REVOX AG * L O C A T I O N P I N L I S T * 91/02/19 * 11:24 * P A G E 65 *

 * 1.862.010.00 D820-48 PCM TAPE - RECORDER * 90/03/21 - 00 *

 ASY 1 1.862.100.00 TAPE DECK PCM - MCH <-- <-- <-- CONTINUATION

GRP 19 1.862.704.00
 <-- <-- <-- CONTINUATION

ELM 43 54.14.2003
 RECORD CURRENT CH 33..40 P43

PNT	SIGNAL NAME	COLOR	LV TYPE	F
1	A-RDC+33			
2	A-RDC-33			
3	A-RSEN33			
4	A-RSEN34			
5	A-RDC+34			
6	A-RDC-34			
7	A-RDC+35			
8	A-RDC-35			
9	A-RSEN35			
10	A-RSEN36			
11	A-RDC+36			
12	A-RDC-36			
13	A-RDC+37			
14	A-RDC-37			
15	A-RSEN37			
16	A-RSEN38			
17	A-RDC+38			
18	A-RDC-38			
19	A-RDC+39			
20	A-RDC-39			
21	A-RSEN39			
22	A-RSEN40			
23	A-RDC+40			
24	A-RDC-40			
25	+ 0.0			
26	+ 0.0			

GRP 19 1.862.704.00
 <-- <-- <-- CONTINUATION

ELM 44 54.14.2003
 RECORD CURRENT CH 41..48 P44

PNT	SIGNAL NAME	COLOR	LV TYPE	F
1	A-RDC+41			
2	A-RDC-41			
3	A-RSEN41			
4	A-RSEN42			
5	A-RDC+42			
6	A-RDC-42			
7	A-RDC+43			
8	A-RDC-43			
9	A-RSEN43			
10	A-RSEN44			
11	A-RDC+44			
12	A-RDC-44			
13	A-RDC+45			
14	A-RDC-45			
15	A-RSEN45			
16	A-RSEN46			
17	A-RDC+46			
18	A-RDC-46			
19	A-RDC+47			
20	A-RDC-47			
21	A-RSEN47			
22	A-RSEN48			
23	A-RDC+48			
24	A-RDC-48			
25	+ 0.0			
26	+ 0.0			

GRP 19 1.862.704.00
 <-- <-- <-- CONTINUATION

ELM 45 54.14.2003
 CONNECTOR TO TAPE DECK BASIS B. P45

PNT	SIGNAL NAME	COLOR	LV TYPE	F
1	+15.0			
2	+15.0			
3	+15.0			
4	+15.0			
5	+ 5.6			
6	+ 5.6			
7	+ 5.6			
8	+ 5.6			
9	+ 0.0			
10	+ 0.0			
11	+ 0.0			
12	+ 0.0			
13	-15.0			
14	-15.0			
15	-15.0			
16	-15.0			
17				
18	TC-SPD1			
19				
20	TC-SPD2			
21				
22	TC-RES1			
23				
24	TD-C76K			
25				
26	TD-C307K			

 * STUDER REVOK AG * L O C A T I O N P I N L I S T * 91/02/19 * 11:24 * P A G E 66 *

 * 1.862.010.00 D820-48 PCM TAPE - RECORDER * 90/03/21 - 00 *

 ASY 1 1.862.100.00 TAPE DECK PCM - MCH <-- <-- <-- CONTINUATION

GRP 20 1.862.701.00
 BASIS BOARD TAPE DECK
 =====

GRP 20 1.862.701.00
 <-- <-- <-- CONTINUATION
 =====

GRP 20 1.862.701.00
 <-- <-- <-- CONTINUATION
 =====

ELM 15 1.862.715.00
 CONVERTER RS422/TTL J15

ELM 15 1.862.715.00
 <-- <-- <-- CONTINUATION

ELM 16 1.862.714.00
 CAPSTAN PHASE CONTROL BOARD J16

 PNT SIGNAL NAME COLOR LV TYPE F

 PNT SIGNAL NAME COLOR LV TYPE F

 PNT SIGNAL NAME COLOR LV TYPE F

1A CK-MCK
 1B CK-IMCK
 2A CK-BSY
 2B CK-IBSY
 3A CK-SSY
 3B CK-ISSY
 4A CK-RES1
 4B CK-RES1
 5A RT-SSYTP
 5B RTISSYTP
 6A RT-GRID
 6B RT-IGRID
 7A TC-BPHO
 7B TC-IBPHO
 8A TC-BPH1
 8B TC-IBPH1
 9A SS-RFNT
 9B SS-IRFNT
 10A CK-RFXT
 10B CK-IRFXT
 11A T-REFEX
 11B T-IREFEX
 12A TD-MVCLK
 12B TDIMVCLK
 13A TD-MVDIR
 13B TDIMVDIR
 14A T-REFEXS
 14B CK-BSYS
 15A +15.0
 15B +15.0
 16A + 5.6
 16B + 5.6
 17A + 0.0
 17B + 0.0
 18A -15.0
 18B -15.0
 19A TD-SCLK
 19B TD-ISCLK
 20A TD-SRX
 20B TD-ISRX
 21A TD-STX
 21B TD-ISTX
 22A TD-SDTR
 22B TD-ISDTR
 23A TD-SCTS
 23B TD-ISCTS
 24A T-REFINT

24B T-REFEXT
 25A TD-MVCL
 25B TD-MVDI
 26A TDS-RX
 26B CK-MCKS
 27A TDS-FX
 27B CK-SSYS
 28A TDS-DTR
 28B CK-RES1S
 29A TDS-CTS
 29B RTSSYTSP
 30A TDS-CLK
 30B RT-GRIDS
 31A
 31B TC-BPHOS
 32A
 32B TC-BPH1S

1A
 1B
 2A
 2B
 3A
 3B + 0.0
 4A CK-BSYS
 4B + 0.0
 5A CK-MCKS
 5B + 0.0
 6A CK-SSYS
 6B + 0.0
 7A RTSSYTSP
 7B + 0.0
 8A
 8B TC-RESMP
 9A
 9B TC-IRQ
 10A
 10B
 11A
 11B
 12A
 12B
 13A
 13B TC-SL4
 14A
 14B TC-SL3
 15A +15.0
 15B +15.0
 16A + 5.6
 16B + 5.6
 17A + 0.0
 17B + 0.0
 18A -15.0
 18B -15.0
 19A TC-SPD1
 19B
 20A TC-SPD2
 20B TC-RW
 21A TC-RES1
 21B TC-ENBG
 22A TC-RES2
 22B TC-ADR2
 23A TC-RES3
 23B TC-ADR1
 24A TC-RES4

STUDER D820 MCH

 * STUDER REVOK AG * L O C A T I O N P I N N L I S T * 91/02/19 * 11:24 * P A G E 67 *

 * 1.862.010.00 D820-48 PCM TAPE - RECORDER * 90/03/21 - 00 *

 ASY 1 1.862.100.00 TAPE DECK PCM - MCH <-- <-- <-- CONTINUATION

GRP 20 1.862.701.00
 <-- <-- <-- CONTINUATION
 =====

ELM 16 1.862.714.00
 <-- <-- <-- CONTINUATION

PNT	SIGNAL NAME	COLOR	LV	TYPE	F
24B	TC-ADRO				
25A					
25B	TC-DATA7				
26A					
26B	TC-DATA6				
27A					
27B	TC-DATA5				
28A	CK-RES1S				
28B	TC-DATA4				
29A					
29B	TC-DATA3				
30A	CK-RES2S				
30B	TC-DATA2				
31A	TC-BPHOS				
31B	TC-DATA1				
32A	TC-BPH1S				
32B	TC-DATA0				

./.

GRP 20 1.862.701.00
 <-- <-- <-- CONTINUATION
 =====

ELM 17 1.820.764.00
 CAPSTAN CONTROL UNIT J17

PNT	SIGNAL NAME	COLOR	LV	TYPE	F
1	TD-TCM1				
2	TD-TCM2				
3	TC-REFP				
4	TC-CAPDC				
5	TC-TCMVI				
6	TC-CDIRI				
7	TD-CAPSY				
8	TC-REF				
9	TC-INEX				
10	TC-RESMP				
11	TC-ENBG				
12					
13	TC-IRQ				
14	TC-EREF				
15	TC-SL4				
16	TC-SL3				
17					
18	+15.0				
19	KEY				
20	+ 5.6				
21	+ 0.0				
22	-15.0				
23	TC-SL2				
24	TC-SL1				
25					
26	TD-CRES				
27	TC-RW				
28	TC-ENB				
29	TC-ADR2				
30	TC-ADR1				
31	TC-ADRO				
32	TC-DATA7				
33	TC-DATA6				
34	TC-DATA5				
35	TC-DATA4				
36	TC-DATA3				
37	TC-DATA2				
38	TC-DATA1				
39	TC-DATA0				

./.

GRP 20 1.862.701.00
 <-- <-- <-- CONTINUATION
 =====

ELM 18 1.820.727.00
 CAPSTAN INTERFACE J18

PNT	SIGNAL NAME	COLOR	LV	TYPE	F
1A	TC-CDIRI				
1B	TD-TCM1				
2A	TC-TCMVI				
2B	TD-TCM2				
3A	AN-CSPDC				
3B	AN-CSPDC				
4A					
4B	TC-REFP				
5A	TC-TCMV				
5B	TC-TCMV				
6A	TC-TCDIR				
6B	TC-TCDIR				
7A					
7B					
8A	TC-RESMP				
8B	TC-ENBG				
9A	TC-IRQ				
9B					
10A					
10B	TC-EREF				
11A	TC-REF				
11B	T-REFINT				
12A	TC-INEX				
12B	T-REFEXT				
13A	TC-SL1				
13B	TD-IRQ				
14A	TC-SL2				
14B	TD-SL7				
15A	+15.0				
15B	+15.0				
16A	+ 5.6				
16B	+ 5.6				
17A	+ 0.0				
17B	+ 0.0				
18A	-15.0				
18B	-15.0				
19A					
19B	TD-RES				
20A	TC-RW				
20B	TD-RW				
21A	TC-ENB				
21B	TD-ENB				
22A	TC-ADR2				
22B					
23A	TC-ADR1				
23B	TD-ADR1				
24A	TC-ADRO				

./.

 * STUDER REVOX AG * L O C A T I O N P I N L I S T * 91/02/19 * 11:24 * P A G E 68 *
 * 1.862.010.00 D820-48 PCM TAPE - RECORDER * 90/03/21 - 00 *
 * 1.862.100.00 TAPE DECK PCM - MCH *****
 ASY 1 <-- <-- <-- CONTINUATION

GRP 20 1.862.701.00
 <-- <-- <-- CONTINUATION
 =====

ELM 18 1.820.727.00
 <-- <-- <-- CONTINUATION

PNT	SIGNAL NAME	COLOR	LV	TYPE	F
24B	TD-ADRO				
25A	TC-DATA7				
25B	TD-DATA7				
26A	TC-DATA6				
26B	TD-DATA6				
27A	TC-DATA5				
27B	TD-DATA5				
28A	TC-DATA4				
28B	TD-DATA4				
29A	TC-DATA3				
29B	TD-DATA3				
30A	TC-DATA2				
30B	TD-DATA2				
31A	TC-DATA1				
31B	TD-DATA1				
32A	TC-DATA0				
32B	TD-DATA0				

./.

GRP 20 1.862.701.00
 <-- <-- <-- CONTINUATION
 =====

ELM 19 1.820.762.00
 TAPE DECK PERIPHERY CONTR. J19

PNT	SIGNAL NAME	COLOR	LV	TYPE	F
1A	TD-RALEN				
1B	TD-RALC1				
2A	TD-RALP2				
2B	TD-RALC2				
3A	TD-RALP1				
3B	TD-RARP1				
4A	TD-MOVE				
4B	TD-RARP2				
5A	TD-EVENT				
5B	TD-RAREN				
6A	TD-CRES				
6B	TD-RARC1				
7A					
7B	TD-RARC2				
8A	TD-SHLD				
8B					
9A	TD-TRSP				
9B	TD-HEACT				
10A	TD-PHENB				
10B	T-SUPVON				
11A	-YSUP				
11B					
12A	+YSUP				
12B					
13A					
13B					
14A					
14B	TD-SL3				
15A	+15.0				
15B	+15.0				
16A	+ 5.6				
16B	+ 5.6				
17A	+ 0.0				
17B	+ 0.0				
18A	-15.0				
18B	-15.0				
19A	T-IRES2				
19B	TD-RES				
20A	TD-PENBL				
20B	TD-RW				
21A	TD-PENBR				
21B	TD-ENB				
22A	T-IRES3				
22B	TD-ADR2				
23A	T-IRES4				
23B	TD-ADR1				
24A					

GRP 20 1.862.701.00
 <-- <-- <-- CONTINUATION
 =====

ELM 19 1.820.762.00
 <-- <-- <-- CONTINUATION

PNT	SIGNAL NAME	COLOR	LV	TYPE	F
24B	TD-ADRO				
25A					
25B	TD-DATA7				
26A					
26B	TD-DATA6				
27A	OC-RES1				
27B	TD-DATA5				
28A	OC-RES2				
28B	TD-DATA4				
29A	OC-RES3				
29B	TD-DATA3				
30A	OC-RES4				
30B	TD-DATA2				
31A	K-BRAKEL				
31B	TD-DATA1				
32A	K-BRAKER				
32B	TD-DATA0				

./.

 * STUDER REVOX AG * L O C A T I O N P I N L I S T * 91/02/19 * 11:24 * P A G E 69 *
 * 1.862.010.00 D820-48 PCM TAPE - RECORDER * 90/03/21 - 00 *
 * 1.862.100.00 TAPE DECK PCM - MCH *****
 ASY 1 <-- <-- <-- CONTINUATION

GRP 20 1.862.701.00
 <-- <-- <-- CONTINUATION
 =====

ELM 20 1.820.823.00
 TAPE DECK COUNTER / TIMER J20

PNT	SIGNAL NAME	COLOR	LV	TYPE	F
1	TD-TML1				
2	TD-TML2				
3	TD-TMR1				
4	TD-TMR2				
5					
6	TD-ADR3				
7	TD-MOVE1				
8	TD-MOVE2				
9	TD-ICRE1				
10					
11	TD-ICRE2				
12	TD-MVCL				
13	TD-IRQ				
14	TD-MVDI				
15					
16	TD-ICRE3				
17	TD-ICRE4				
18	+15.0				
19	KEY				
20	+ 5.6				
21	+ 0.0				
22	-15.0				
23	TD-ICRE5				
24					
25	TD-SL6				
26	TD-RES				
27	TD-RW				
28	TD-ENB				
29	TD-ADR2				
30	TD-ADR1				
31	TD-ADRO				
32	TD-DATA7				
33	TD-DATA6				
34	TD-DATA5				
35	TD-DATA4				
36	TD-DATA3				
37	TD-DATA2				
38	TD-DATA1				
39	TD-DATA0				

./.

GRP 20 1.862.701.00
 <-- <-- <-- CONTINUATION
 =====

ELM 21 1.820.763.00
 TAPE DECK SERIAL INTERFACE J21

PNT	SIGNAL NAME	COLOR	LV	TYPE	F
1	AN-TTL				
2	AN-TTR				
3	AN-ICL				
4	AN-ICR				
5	AN-TTL				
6	AN-TTR				
7	AN-RES1				
8	AN-RES2				
9	AN-RES3				
10	AN-RES4				
11	TD-RESMP				
12	TD-IRQ				
13	TDS-RX				
14	TDS-TX				
15	TDS-DTR				
16	TDS-CTS				
17	TDS-CLK				
18	+15.0				
19	KEY				
20	+ 5.6				
21	+ 0.0				
22	-15.0				
23	TD-RESET				
24	TD-ADR3				
25	TD-SL5				
26	TD-RES				
27	TD-RW				
28	TD-ENB				
29	TD-ADR2				
30	TD-ADR1				
31	TD-ADRO				
32	TD-DATA7				
33	TD-DATA6				
34	TD-DATA5				
35	TD-DATA4				
36	TD-DATA3				
37	TD-DATA2				
38	TD-DATA1				
39	TD-DATA0				

./.

GRP 20 1.862.701.00
 <-- <-- <-- CONTINUATION
 =====

ELM 22 1.820.781.00
 MP-UNIT TD CONTROL MCH J22

PNT	SIGNAL NAME	COLOR	LV	TYPE	F
1					
2					
3	TD-SL3				
4	TD-SL2				
5	TD-RESMP				
6	TD-ADR3				
7	TD-C614K				
8	TD-BUSSWM				
9	TD-NMI				
10	TD-RX				
11	TD-TX				
12	TD-DRENBL				
13	TD-IRQ				
14	T-PWRON				
15	TD-SL7				
16	TD-C76K				
17	TD-9600				
18	+15.0				
19	KEY				
20	+ 5.6				
21	+ 0.0				
22	TD-C307K				
23	TD-SL4				
24	TD-SL5				
25	TD-SL6				
26	TD-RESET				
27	TD-RW				
28	TD-ENB				
29	TD-ADR2				
30	TD-ADR1				
31	TD-ADRO				
32	TD-DATA7				
33	TD-DATA6				
34	TD-DATA5				
35	TD-DATA4				
36	TD-DATA3				
37	TD-DATA2				
38	TD-DATA1				
39	TD-DATA0				

./.

STUDER D820 MCH

 * STUDER REVOX AG * L O C A T I O N P I N L I S T * 91/02/19 * 11:24 * P A G E 70 *

 * 1.862.010.00 D820-48 PCM TAPE - RECORDER * 90/03/21 - 00 *

 ASY 1 1.862.100.00 TAPE DECK PCM - MCH <-- <-- <-- CONTINUATION

GRP 20 1.862.701.00
 <-- <-- <-- CONTINUATION
 =====

ELM 23	1.820.822.00		J23
SPGOLING MOTOR CONTROLLER			
PNT	SIGNAL NAME	COLOR LV TYPE	F
1	AN-TTL		
2	AN-TTR		
3	AN-TTL		
4	AN-TTR		
5			
6	AN-IRL		
7			
8	AN-IRR		
9			
10			
11			
12			
13			
14			
15			
16			
17			
18	+15.0		
19	KEY		
20	+ 5.6		
21	+ 0.0		
22	-15.0		
23	TD-SL4		
24			
25			
26	TD-RES		
27	TD-RW		
28	TD-ENB		
29	TD-ADR2		
30	TD-ADR1		
31	TD-ADRO		
32	TD-DATA7		
33	TD-DATA6		
34	TD-DATA5		
35	TD-DATA4		
36	TD-DATA3		
37	TD-DATA2		
38	TD-DATA1		
39	TD-DATA0		

GRP 20 1.862.701.00
 <-- <-- <-- CONTINUATION
 =====

ELM 24	1.820.759.00		J24
SPOOLING MOTOR DRIVER			
PNT	SIGNAL NAME	COLOR LV TYPE	F
1	AN-ICR		
2	AN-IRR		
3	AN-ICR		
4	AN-IRR		
5			
6			
7	PWMPR-H1		
8	PWMPR-L3		
9	AN-ICRD		
10	PWMPR-L6		
11			
12			
13			
14			
15	TD-PENBR		
16			
17	TD-C76K		
18	+15.0		
19	KEY		
20	+ 5.6		
21	+ 0.0		
22	-15.0		
23	TD-PENBL		
24			
25			
26	AN-ICL		
27	AN-IRL		
28	PWMPR-H1		
29	PWMPR-L3		
30	AN-ICLD		
31	PWMPR-L6		
32	PWMPR-L5		
33	PWMPR-L4		
34	PWMPR-H2		
35	PWMPR-L1		
36	PWMPR-L5		
37	PWMPR-L4		
38	PWMPR-H2		
39	PWMPR-L1		

GRP 20 1.862.701.00
 <-- <-- <-- CONTINUATION
 =====

ELM 50	54.14.2003		P50
CONNECTOR TO AUDIO CTR. BASIS B.			
PNT	SIGNAL NAME	COLOR LV TYPE	F
1	+15.0		
2	+15.0		
3	+15.0		
4	+15.0		
5	+ 5.6		
6	+ 5.6		
7	+ 5.6		
8	+ 5.6		
9	+ 0.0		
10	+ 0.0		
11	+ 0.0		
12	+ 0.0		
13	-15.0		
14	-15.0		
15	-15.0		
16	-15.0		
17			
18	TC-SPD1		
19			
20	TC-SPD2		
21			
22	TC-RES1		
23			
24	TD-C76K		
25			
26	TD-C307K		

 * STUDER REVOX AG * L O C A T I O N P I N L I S T * 91/02/19 * 11:24 * P A G E 71 *

 * 1.862.010.00 D820-48 PCM TAPE - RECORDER * 90/03/21 - 00 *

 ASY 1 1.862.100.00 TAPE DECK PCM - MCH <-- <-- <-- CONTINUATION

GRP 20 1.862.701.00
 <-- <-- <-- CONTINUATION
 =====

ELM 51	54.14.2004		P51
TO DISPLAY DRIVER			
PNT	SIGNAL NAME	COLOR LV TYPE	F
1	+ 0.0		
2	+ 0.0		
3	+ 5.6		
4	+ 5.6		
5	+24.0		
6	+24.0		
7	PI-DSL4		
8	PI-ISL4		
9	PI-DRES		
10	PI-IRW		
11	PI-DRW		
12	PI-IRW		
13	PI-DENB		
14	PI-IENB		
15	PI-DADR2		
16	PI-IADR2		
17	PI-DADR1		
18	PI-IADR1		
19	PI-DADRO		
20	PI-IADRO		
21	TM-SHIR		
22	0.0 VCU		
23	TM-KBIR		
24	0.0 VCU		
25	PI-DATA7		
26	0.0 VCU		
27	PI-DATA6		
28	0.0 VCU		
29	PI-DATA5		
30	0.0 VCU		
31	PI-DATA4		
32	0.0 VCU		
33	PI-DATA3		
34	0.0 VCU		
35	PI-DATA2		
36	0.0 VCU		
37	PI-DATA1		
38	0.0 VCU		
39	PI-DATA0		
40	0.0 VCU		

GRP 20 1.862.701.00
 <-- <-- <-- CONTINUATION
 =====

ELM 52	54.14.2004		P52
MASTER PARALLEL IF			
PNT	SIGNAL NAME	COLOR LV TYPE	F
1	GND		
2	GND		
3	PI-DSL5		
4	PI-ISL5		
5	PI-DSL4		
6	PI-ISL4		
7	PI-DRES		
8	PI-IRW		
9	PI-DRW		
10	PI-IRW		
11	PI-DENB		
12	PI-IENB		
13	PI-DADR2		
14	PI-IADR2		
15	PI-DADR1		
16	PI-IADR1		
17	PI-DADRO		
18	PI-IADRO		
19	TM-SHIR		
20	0.0 VCU		
21	TM-KBIR		
22	0.0 VCU		
23	TM-REMIR		
24	0.0 VCU		
25	PI-DATA7		
26	0.0 VCU		
27	PI-DATA6		
28	0.0 VCU		
29	PI-DATA5		
30	0.0 VCU		
31	PI-DATA4		
32	0.0 VCU		
33	PI-DATA3		
34	0.0 VCU		
35	PI-DATA2		
36	0.0 VCU		
37	PI-DATA1		
38	0.0 VCU		
39	PI-DATA0		
40	0.0 VCU		

GRP 20 1.862.701.00
 <-- <-- <-- CONTINUATION
 =====

ELM 53	54.14.2004		P53
CONNECTOR REMOTE CTR IF			
PNT	SIGNAL NAME	COLOR LV TYPE	F
1	+ 0.0		
2	+ 0.0		
3	+ 5.6		
4	+ 5.6		
5	+STABIN3		
6	+STABIN3		
7	PI-DSL5		
8	PI-ISL5		
9	PI-DRES		
10	PI-IRW		
11	PI-DRW		
12	PI-IRW		
13	PI-DENB		
14	PI-IENB		
15	T-REFEXS		
16	0.0 VCU		
17	TC-TCMV		
18	TC-TCDIR		
19	PI-DADRO		
20	PI-IADRO		
21	TM-REMIR		
22	0.0 VCU		
23	TD-MVCL		
24	TD-MVDI		
25	PI-DATA7		
26	0.0 VCU		
27	PI-DATA6		
28	0.0 VCU		
29	PI-DATA5		
30	0.0 VCU		
31	PI-DATA4		
32	0.0 VCU		
33	PI-DATA3		
34	0.0 VCU		
35	PI-DATA2		
36	0.0 VCU		
37	PI-DATA1		
38	0.0 VCU		
39	PI-DATA0		
40	0.0 VCU		

 * STUDER REVOX AG * L O C A T I O N P I N L I S T * 91/02/19 * 11:24 * PAGE 72 *
 * 1.862.010.00 D820-48 PCM TAPE - RECORDER * 90/03/21 - 00 *
 ASY 1 1.862.100.00 TAPE DECK PCM - MCH <-- <-- <-- CONTINUATION

GRP 20 1.862.701.00
 <-- <-- <-- CONTINUATION

ELM 54 54.14.2003
 CLOCK CONNECTOR P54

PNT SIGNAL NAME COLOR LV TYPE F

- 1 CK-MCK
- 2 CK-IMCK
- 3 CK-BSY
- 4 CK-IBSY
- 5 CK-SSY
- 6 CK-ISSY
- 7 CK-RES1
- 8 CK-IRES1
- 9 RT-SSYTP
- 10 RTISSYTP
- 11 RT-GRID
- 12 RT-IGRID
- 13 TC-BPH0
- 14 TC-IBPH0
- 15 TC-BPH1
- 16 TC-IBPH1
- 17 SS-RFNT
- 18 SS-IRFNT
- 19 CK-RFXT
- 20 CK-IRFXT
- 21 T-REFEX
- 22 T-IREFEX
- 23 TD-MVCLK
- 24 TDIMVCLK
- 25 TD-MVDIR
- 26 TDIMVDIR

ELM 55
 SSDA TD CONTROL CONNECTOR P55

PNT SIGNAL NAME COLOR LV TYPE F

- 1 TD-SCLK
- 2 TD-ISCLK
- 3 TD-SRX
- 4 TD-ISRX
- 5 TD-STX
- 6 TD-ISTX
- 7 TD-SDTR
- 8 TD-ISDTR
- 9 TD-SCTS
- 10 TD-ISCTS

GRP 20 1.862.701.00
 <-- <-- <-- CONTINUATION

ELM 56
 CAPSTAN M. DRIVE AMPLIFIER P56

PNT SIGNAL NAME COLOR LV TYPE F

- 1 + 0.0
- 2 + 0.0
- 3 + 5.6
- 4 + 5.6
- 5 +15.0
- 6 -15.0
- 7 AN-CSPDC
- 8 TD-TCM1
- 9 + 0.0
- 10 TD-TCM2
- 11 + 0.0
- 12 + 0.0
- 13 TC-CPREF
- 14 TC-CAPDC
- 15 TD-C76K
- 16 + 0.0

ELM 57
 EXT. SENSOR P57

PNT SIGNAL NAME COLOR LV TYPE F

- 1 + 0.0
- 2 + 0.0
- 3 + 5.6
- 4 + 5.6
- 5 +15.0
- 6 -15.0
- 7 TD-YTRSP
- 8 TD-SHLD
- 9 TD-TRSP
- 10 TD-TRSPR

GRP 20 1.862.701.00
 <-- <-- <-- CONTINUATION

ELM 58
 TAPE LIFT MOTOR, RIGHT P58

PNT SIGNAL NAME COLOR LV TYPE F

- 1 + 0.0
- 2 + 0.0
- 3 + 5.6
- 4 + 5.6
- 5 +26.0
- 6 -26.0
- 7
- 8
- 9
- 10
- 11 TD-RARP1
- 12 TD-RARC2
- 13 TD-RARP2
- 14 TD-RARC1
- 15 TD-RAREN
- 16

ELM 59
 TAPE LIFT MOTOR, LEFT P59

PNT SIGNAL NAME COLOR LV TYPE F

- 1 + 0.0
- 2 + 0.0
- 3 + 5.6
- 4 + 5.6
- 5 +26.0
- 6 -26.0
- 7
- 8
- 9
- 10
- 11 TD-RALP1
- 12 TD-RALC2
- 13 TD-RALP2
- 14 TD-RALC1
- 15 TD-RALEN
- 16

 * STUDER REVOX AG * L O C A T I O N P I N L I S T * 91/02/19 * 11:24 * PAGE 73 *
 * 1.862.010.00 D820-48 PCM TAPE - RECORDER * 90/03/21 - 00 *
 ASY 1 1.862.100.00 TAPE DECK PCM - MCH <-- <-- <-- CONTINUATION

GRP 20 1.862.701.00
 <-- <-- <-- CONTINUATION

ELM 60
 TACHO SENSOR SPOOLING M. RIGHT P60

PNT SIGNAL NAME COLOR LV TYPE F

- 1 + 0.0
- 2 + 0.0
- 3 + 5.6
- 4 + 5.6
- 5 +15.0
- 6 -15.0
- 7 AN-RES2
- 8 TD-TMR2
- 9 TD-TMR1
- 10

ELM 61
 MOVE SENSOR P61

PNT SIGNAL NAME COLOR LV TYPE F

- 1 + 0.0
- 2 + 0.0
- 3 + 5.6
- 4 + 5.6
- 5 +15.0
- 6 -15.0
- 7 AN-RES3
- 8 TD-MOVE2
- 9 TD-MOVE1
- 10

ELM 62
 TACHO SENSOR SPOOLING M. LEFT P62

PNT SIGNAL NAME COLOR LV TYPE F

- 1 + 0.0
- 2 + 0.0
- 3 + 5.6
- 4 + 5.6
- 5 +15.0
- 6 -15.0
- 7 AN-RES1
- 8 TD-TML2
- 9 TD-TML1
- 10

GRP 20 1.862.701.00
 <-- <-- <-- CONTINUATION

ELM 63
 FUSE FAILURE DETECTOR P63

PNT SIGNAL NAME COLOR LV TYPE F

- 1 +STABIR3
- 2 +STABIR3
- 3
- 4 +24.0
- 5 +STABIR2
- 6 T-SUPVON
- 7 +STABIR1
- 8 +STABIR1
- 9 + 5.6
- 10 + 5.6
- 11 + 0.0
- 12 + 0.0
- 13 -15.0
- 14 +15.0
- 15 +26.0
- 16 -26.0

ELM 64
 TAPE TENSION SENSOR, RIGHT P64

PNT SIGNAL NAME COLOR LV TYPE F

- 1 + 0.0
- 2 + 0.0
- 3 + 5.6
- 4 + 5.6
- 5 +15.0
- 6 -15.0
- 7
- 8
- 9 AN-TTR
- 10

GRP 20 1.862.701.00
 <-- <-- <-- CONTINUATION

ELM 65
 TAPE TENSION SENSOR, LEFT P65

PNT SIGNAL NAME COLOR LV TYPE F

- 1 + 0.0
- 2 + 0.0
- 3 + 5.6
- 4 + 5.6
- 5 +15.0
- 6 -15.0
- 7
- 8
- 9 AN-TTL
- 10

ELM 66
 TO POWER FAIL SENSE BOARD P66

PNT SIGNAL NAME COLOR LV TYPE F

- 1 + 0.0
- 2 + 0.0
- 3 + 5.6
- 4 + 5.6
- 5 +15.0
- 6 -15.0
- 7 PMMPR-L1
- 8 PMMPR-L2
- 9 PMMPR-H1
- 10 PMMPR-H2
- 11 PMMPR-L3
- 12 PMMPR-L4
- 13 AN-ICRD
- 14 PMMPR-L5
- 15 PMMPR-L6
- 16 + 0.0

STUDER D820 MCH

```
*****
* STUDER REVOX AG * L O C A T I O N P I N L I S T * 91/02/19 * 11:24 * P A G E 74 *
*****
* 1.862.010.00 D820-48 PCM TAPE - RECORDER * 90/03/21 - 00 *
*****
ASY 1 1.862.100.00 TAPE DECK PCM - MCH <-- <-- <-- CONTINUATION
```

```
GRP 20 1.862.701.00
<-- <-- <-- CONTINUATION
=====
```

```
ELM 67 54.99.0213
SPOOLING M. DRIVE AMP. LEFT P67
-----
PNT SIGNAL NAME COLOR LV TYPE F
-----
1 + 0.0
2 + 0.0
3 + 5.6
4 + 5.6
5 +15.0
6 -15.0
7 PHMPL-L1
8 PHMPL-L2
9 PHMPL-H1
10 PHMPL-H2
11 PHMPL-L3
12 PHMPL-L4
13 AN-ICLD
14 PHMPL-L5
15 PHMPL-L6
16 + 0.0
-----
```

```
ELM 68 54.99.0213
BRAKE SOLENOIDS J68
-----
PNT SIGNAL NAME COLOR LV TYPE F
-----
1 K-BRAKEL BX
2 +24.0 BX
3 K-BRAKER BX
4 +24.0 BX
-----
```

```
ELM 69 54.99.0213
DC STABILIZERS J69
-----
PNT SIGNAL NAME COLOR LV TYPE F
-----
1 + 5.6 BX
2 TD-C76K BX
3 + 0.0 BX
4 + 0.0 BX
5 +15.0 BX
6 +24.0 BX
7 -15.0 BX
8 -24.0 BX
9 T-PWRON BX
10 +24.0 BX
-----
```

```
GRP 20 1.862.701.00
<-- <-- <-- CONTINUATION
=====
```

```
ELM 70 54.99.0213
DC POWER SUPPLY J70
-----
PNT SIGNAL NAME COLOR LV TYPE F
-----
1 +STABIN1 BX
2 0STABIN BX
3 +STABIN2 BX
4 0STABIN BX
5 +STABIN3 BX
6 0STABIN BX
-----
```

```
ELM 71 54.99.0213
TO MECHANICAL ELAPSED TIMER
-----
PNT SIGNAL NAME COLOR LV TYPE F
-----
1 0C-RES4
2 +24.0
3
4
-----
```

```
GRP 21 1.862.712.00
RECORD AMPLIFIER PRIMARY RECORD
=====
```

```
ELM 1 54.14.2001
CLOCK CONNECTOR P01
-----
PNT SIGNAL NAME COLOR LV TYPE F
-----
1 CK-MCK
2 CK-IMCK
3 CK-BSY
4 CK-IBSY
5 CK-SSY
6 CK-ISSY
7 CK-RES1
8 CK-IRES1
9 RT-SSYTP
10 RTISSYTP
11 RT-GRID
12 RT-IGRID
13 TC-BPHO
14 TC-IBPHO
15 TC-BPH1
16 TC-IBPH1
17 SS-REFNT
18 SS-IRFNT
19 CK-REFX
20 CK-IRFX
21 T-REFEX
22 T-IREFEX
23 TD-MVCLK
24 TDIMVCLK
25 TD-MVDIR
26 TDIMVDIR
-----
```

```
ELM 2 54.14.2001
RECORD AMPLIFIER CONTROL P02
-----
```

```
PNT SIGNAL NAME COLOR LV TYPE F
-----
1 D-REC
2 D-IREC
3 D-SCLK
4 D-ISCLK
5 D-LDIPR
6 D-ILDIPR
7 D-MSAFE
8 D-IMSAFE
9
10
-----
```

```
*****
* STUDER REVOX AG * L O C A T I O N P I N L I S T * 91/02/19 * 11:24 * P A G E 75 *
*****
* 1.862.010.00 D820-48 PCM TAPE - RECORDER * 90/03/21 - 00 *
*****
ASY 1 1.862.100.00 TAPE DECK PCM - MCH <-- <-- <-- CONTINUATION
```

```
GRP 21 1.862.712.00
<-- <-- <-- CONTINUATION
=====
```

```
ELM 3 54.14.2002
RECORD CURRENT RT/TC/CUE P03
-----
PNT SIGNAL NAME COLOR LV TYPE F
-----
1 A-RDC+C1
2 A-RDC-C1
3 A-RSENC1
4 A-RSENC2
5 A-RDC+C2
6 A-RDC-C2
7 A-RDC+RT
8 A-RDC-RT
9 A-RSENRT
10 A-RSENTC
11 A-RDC+TC
12 A-RDC-TC
13
14
15
16
-----
```

```
GRP 21 1.862.712.00
<-- <-- <-- CONTINUATION
=====
```

```
ELM 4 54.14.2003
RECORD CURRENT CH 1..8 P04
-----
PNT SIGNAL NAME COLOR LV TYPE F
-----
1 A-RDC+01
2 A-RDC-01
3 A-RSEN01
4 A-RSEN02
5 A-RDC+02
6 A-RDC-02
7 A-RDC+03
8 A-RDC-03
9 A-RSEN03
10 A-RSEN04
11 A-RDC+04
12 A-RDC-04
13 A-RDC+05
14 A-RDC-05
15 A-RSEN05
16 A-RSEN06
17 A-RDC+06
18 A-RDC-06
19 A-RDC+07
20 A-RDC-07
21 A-RSEN07
22 A-RSEN08
23 A-RDC+08
24 A-RDC-08
25 + 0.0
26 + 0.0
-----
```

```
GRP 21 1.862.712.00
<-- <-- <-- CONTINUATION
=====
```

```
ELM 5 54.14.2003
RECORD CURRENT CH 9..16 P05
-----
PNT SIGNAL NAME COLOR LV TYPE F
-----
1 A-RDC+09
2 A-RDC-09
3 A-RSEN09
4 A-RSEN10
5 A-RDC+10
6 A-RDC-10
7 A-RDC+11
8 A-RDC-11
9 A-RSEN11
10 A-RSEN12
11 A-RDC+12
12 A-RDC-12
13 A-RDC+13
14 A-RDC-13
15 A-RSEN13
16 A-RSEN14
17 A-RDC+14
18 A-RDC-14
19 A-RDC+15
20 A-RDC-15
21 A-RSEN15
22 A-RSEN16
23 A-RDC+16
24 A-RDC-16
25 + 0.0
26 + 0.0
-----
```

 * STUDER REVOX AG * L O C A T I O N P I N L I S T * 91/02/19 * 11:24 * P A G E 76 *

 * 1.862.010.00 D820-48 PCM TAPE - RECORDER * 90/03/21 - 00 *

 ASY 1 1.862.100.00 TAPE DECK PCM - MCH <-- <-- <-- CONTINUATION

GRP 21 1.862.712.00
 <-- <-- <-- CONTINUATION
 =====
 ELM 6 54.14.2003
 RECORD CURRENT CH 17..24 P06

 PNT SIGNAL NAME COLOR LV TYPE F

 1 A-RDC+17
 2 A-RDC-17
 3 A-RSEN17
 4 A-RSEN18
 5 A-RDC+18
 6 A-RDC-18
 7 A-RDC+19
 8 A-RDC-19
 9 A-RSEN19
 10 A-RSEN20
 11 A-RDC+20
 12 A-RDC-20
 13 A-RDC+21
 14 A-RDC-21
 15 A-RSEN21
 16 A-RSEN22
 17 A-RDC+22
 18 A-RDC-22
 19 A-RDC+23
 20 A-RDC-23
 21 A-RSEN23
 22 A-RSEN24
 23 A-RDC+24
 24 A-RDC-24
 25 + 0.0
 26 + 0.0

 ./.

GRP 21 1.862.712.00
 <-- <-- <-- CONTINUATION
 =====
 ELM 7 54.14.2003
 RECORD CURRENT CH 25..32 P07

 PNT SIGNAL NAME COLOR LV TYPE F

 1 A-RDC+25
 2 A-RDC-25
 3 A-RSEN25
 4 A-RSEN26
 5 A-RDC+26
 6 A-RDC-26
 7 A-RDC+27
 8 A-RDC-27
 9 A-RSEN27
 10 A-RSEN28
 11 A-RDC+28
 12 A-RDC-28
 13 A-RDC+29
 14 A-RDC-29
 15 A-RSEN29
 16 A-RSEN30
 17 A-RDC+30
 18 A-RDC-30
 19 A-RDC+31
 20 A-RDC-31
 21 A-RSEN31
 22 A-RSEN32
 23 A-RDC+32
 24 A-RDC-32
 25 + 0.0
 26 + 0.0

 ./.

GRP 21 1.862.712.00
 <-- <-- <-- CONTINUATION
 =====
 ELM 8 54.14.2003
 RECORD CURRENT CH 33..40 P08

 PNT SIGNAL NAME COLOR LV TYPE F

 1 A-RDC+33
 2 A-RDC-33
 3 A-RSEN33
 4 A-RSEN34
 5 A-RDC+34
 6 A-RDC-34
 7 A-RDC+35
 8 A-RDC-35
 9 A-RSEN35
 10 A-RSEN36
 11 A-RDC+36
 12 A-RDC-36
 13 A-RDC+37
 14 A-RDC-37
 15 A-RSEN37
 16 A-RSEN38
 17 A-RDC+38
 18 A-RDC-38
 19 A-RDC+39
 20 A-RDC-39
 21 A-RSEN39
 22 A-RSEN40
 23 A-RDC+40
 24 A-RDC-40
 25 + 0.0
 26 + 0.0

 ./.

 * STUDER REVOX AG * L O C A T I O N P I N L I S T * 91/02/19 * 11:24 * P A G E 77 *

 * 1.862.010.00 D820-48 PCM TAPE - RECORDER * 90/03/21 - 00 *

 ASY 1 1.862.100.00 TAPE DECK PCM - MCH <-- <-- <-- CONTINUATION

GRP 21 1.862.712.00
 <-- <-- <-- CONTINUATION
 =====
 ELM 9 54.14.2003
 RECORD CURRENT CH 41..48 P09

 PNT SIGNAL NAME COLOR LV TYPE F

 1 A-RDC+41
 2 A-RDC-41
 3 A-RSEN41
 4 A-RSEN42
 5 A-RDC+42
 6 A-RDC-42
 7 A-RDC+43
 8 A-RDC-43
 9 A-RSEN43
 10 A-RSEN44
 11 A-RDC+44
 12 A-RDC-44
 13 A-RDC+45
 14 A-RDC-45
 15 A-RSEN45
 16 A-RSEN46
 17 A-RDC+46
 18 A-RDC-46
 19 A-RDC+47
 20 A-RDC-47
 21 A-RSEN47
 22 A-RSEN48
 23 A-RDC+48
 24 A-RDC-48
 25 + 0.0
 26 + 0.0

 ./.

GRP 21 1.862.712.00
 <-- <-- <-- CONTINUATION
 =====
 ELM 10
 AUDIO DATA INPUT, CH 01 TO 08 P10

 PNT SIGNAL NAME COLOR LV TYPE F

 1 MA-CH01
 2 MA-ICH01
 3 MA-CH02
 4 MA-ICH02
 5 MA-CH03
 6 MA-ICH03
 7 MA-CH04
 8 MA-ICH04
 9 MA-CH05
 10 MA-ICH05
 11 MA-CH06
 12 MA-ICH06
 13 MA-CH07
 14 MA-ICH07
 15 MA-CH08
 16 MA-ICH08

GRP 21 1.862.712.00
 <-- <-- <-- CONTINUATION
 =====
 ELM 12
 AUDIO DATA INPUT, CH 17 TO 24 P12

 PNT SIGNAL NAME COLOR LV TYPE F

 1 MA-CH17
 2 MA-ICH17
 3 MA-CH18
 4 MA-ICH18
 5 MA-CH19
 6 MA-ICH19
 7 MA-CH20
 8 MA-ICH20
 9 MA-CH21
 10 MA-ICH21
 11 MA-CH22
 12 MA-ICH22
 13 MA-CH23
 14 MA-ICH23
 15 MA-CH24
 16 MA-ICH24

ELM 11
 AUDIO DATA INPUT, CH 09 TO 16 P11

 PNT SIGNAL NAME COLOR LV TYPE F

 1 MA-CH09
 2 MA-ICH09
 3 MA-CH10
 4 MA-ICH10
 5 MA-CH11
 6 MA-ICH11
 7 MA-CH12
 8 MA-ICH12
 9 MA-CH13
 10 MA-ICH13
 11 MA-CH14
 12 MA-ICH14
 13 MA-CH15
 14 MA-ICH15
 15 MA-CH16
 16 MA-ICH16

ELM 13
 AUDIO DATA INPUT, CH 25 TO 32 P13

 PNT SIGNAL NAME COLOR LV TYPE F

 1 MA-CH25
 2 MA-ICH25
 3 MA-CH26
 4 MA-ICH26
 5 MA-CH27
 6 MA-ICH27
 7 MA-CH28
 8 MA-ICH28
 9 MA-CH29
 10 MA-ICH29
 11 MA-CH30
 12 MA-ICH30
 13 MA-CH31
 14 MA-ICH31
 15 MA-CH32
 16 MA-ICH32

STUDER D820 MCH

```
*****
* STUDER REVOX AG * L O C A T I O N P I N L I S T * 91/02/19 * 11:24 * PAGE 78 *
*****
* 1.862.010.00 D820-48 PCM TAPE - RECORDER * 90/03/21 - 00 *
*****
ASY 1 1.862.100.00 TAPE DECK PCM - MCH <-- <-- <-- CONTINUATION
```

```
GRP 21 1.862.712.00
<-- <-- <-- CONTINUATION
=====
```

```
ELM 14
AUDIO DATA INPUT, CH 33 TO 40 P14
-----
PNT SIGNAL NAME COLOR LV TYPE F
-----
1 MA-CH33
2 MA-ICH33
3 MA-CH34
4 MA-ICH34
5 MA-CH35
6 MA-ICH35
7 MA-CH36
8 MA-ICH36
9 MA-CH37
10 MA-ICH37
11 MA-CH38
12 MA-ICH38
13 MA-CH39
14 MA-ICH39
15 MA-CH40
16 MA-ICH40
-----
```

```
ELM 15
AUDIO DATA INPUT, CH 41 TO 48 P15
-----
PNT SIGNAL NAME COLOR LV TYPE F
-----
1 MA-CH41
2 MA-ICH41
3 MA-CH42
4 MA-ICH42
5 MA-CH43
6 MA-ICH43
7 MA-CH44
8 MA-ICH44
9 MA-CH45
10 MA-ICH45
11 MA-CH46
12 MA-ICH46
13 MA-CH47
14 MA-ICH47
15 MA-CH48
16 MA-ICH48
-----
```

```
GRP 21 1.862.712.00
<-- <-- <-- CONTINUATION
=====
```

```
ELM 16
DATA RT + TC P16
-----
PNT SIGNAL NAME COLOR LV TYPE F
-----
1 RT-RT
2 RT-IRT
3 SS-TC
4 SS-ITC
5
6
7 TA-RT
8 TA-IRT
9 TA-TC
10 TA-ITC
-----
```

```
ELM 17
DATA CUE1 + CUE2 P17
-----
PNT SIGNAL NAME COLOR LV TYPE F
-----
1 CU-CUE1
2 CU-ICUE1
3 CU-CUE2
4 CU-ICUE2
5
6
7 TA-CUE1
8 TA-ICUE1
9 TA-CUE2
10 TA-ICUE2
-----
```

```
GRP 21 1.862.712.00
<-- <-- <-- CONTINUATION
=====
```

```
ELM 18 54.14.2002 P18
-----
PNT SIGNAL NAME COLOR LV TYPE F
-----
1 RECVH-01
2 RECVL-01
3 RECVH-02
4 RECVL-02
5 RECVH-03
6 RECVL-03
7 RECVH-04
8 RECVL-04
9 RECVH-05
10 RECVL-05
11 RECVH-06
12 RECVL-06
13 RECVH-07
14 RECVL-07
15 RECVH-08
16 RECVL-08
-----
```

```
ELM 19 54.14.2002 P19
-----
PNT SIGNAL NAME COLOR LV TYPE F
-----
1 RECVH-09
2 RECVL-09
3 RECVH-10
4 RECVL-10
5 RECVH-11
6 RECVL-11
7 RECVH-12
8 RECVL-12
9 RECVH-13
10 RECVL-13
11 RECVH-14
12 RECVL-14
13 RECVH-15
14 RECVL-15
15 RECVH-16
16 RECVL-16
-----
```

```
*****
* STUDER REVOX AG * L O C A T I O N P I N L I S T * 91/02/19 * 11:24 * PAGE 79 *
*****
* 1.862.010.00 D820-48 PCM TAPE - RECORDER * 90/03/21 - 00 *
*****
ASY 1 1.862.100.00 TAPE DECK PCM - MCH <-- <-- <-- CONTINUATION
```

```
GRP 21 1.862.712.00
<-- <-- <-- CONTINUATION
=====
```

```
ELM 20 54.14.2002 P20
-----
PNT SIGNAL NAME COLOR LV TYPE F
-----
1 RECVH-17
2 RECVL-17
3 RECVH-18
4 RECVL-18
5 RECVH-19
6 RECVL-19
7 RECVH-20
8 RECVL-20
9 RECVH-21
10 RECVL-21
11 RECVH-22
12 RECVL-22
13 RECVH-23
14 RECVL-23
15 RECVH-24
16 RECVL-24
-----
```

```
ELM 21 54.14.2002 P21
-----
PNT SIGNAL NAME COLOR LV TYPE F
-----
1 RECVH-25
2 RECVL-25
3 RECVH-26
4 RECVL-26
5 RECVH-27
6 RECVL-27
7 RECVH-28
8 RECVL-28
9 RECVH-29
10 RECVL-29
11 RECVH-30
12 RECVL-30
13 RECVH-31
14 RECVL-31
15 RECVH-32
16 RECVL-32
-----
```

```
GRP 21 1.862.712.00
<-- <-- <-- CONTINUATION
=====
```

```
ELM 22 54.14.2002 P22
-----
PNT SIGNAL NAME COLOR LV TYPE F
-----
1 RECVH-33
2 RECVL-33
3 RECVH-34
4 RECVL-34
5 RECVH-35
6 RECVL-35
7 RECVH-36
8 RECVL-36
9 RECVH-37
10 RECVL-37
11 RECVH-38
12 RECVL-38
13 RECVH-39
14 RECVL-39
15 RECVH-40
16 RECVL-40
-----
```

```
ELM 23 54.14.2002 P23
-----
PNT SIGNAL NAME COLOR LV TYPE F
-----
1 RECVH-41
2 RECVL-41
3 RECVH-42
4 RECVL-42
5 RECVH-43
6 RECVL-43
7 RECVH-44
8 RECVL-44
9 RECVH-45
10 RECVL-45
11 RECVH-46
12 RECVL-46
13 RECVH-47
14 RECVL-47
15 RECVH-48
16 RECVL-48
-----
```

```
GRP 21 1.862.712.00
<-- <-- <-- CONTINUATION
=====
```

```
ELM 24 54.14.2001 P24
-----
PNT SIGNAL NAME COLOR LV TYPE F
-----
1 RECVH-RT
2 RECVL-RT
3 RECVH-TC
4 RECVL-TC
5 + 0.0
6 + 0.0
7 RECVH-C1
8 RECVL-C1
9 RECVH-C2
10 RECVL-C2
-----
```

```
ELM 25 54.25.0004 P25
-----
PNT SIGNAL NAME COLOR LV TYPE F
-----
1 + 5.6 BX
2 + 0.0 BX
3 +VREC BX
4 -VREC BX
-----
```

 * STUDER REVOX AG * L O C A T I O N P I N L I S T * 91/02/19 * 11:24 * P A G E 80 *
 * 1.862.010.00 D820-48 PCM TAPE - RECORDER * 90/03/21 - 00 *
 ASY 1 1.862.100.00 TAPE DECK PCM - MCH <-- <-- <-- CONTINUATION

GRP 22 1.862.712.00
 RECORD AMPLIFIER SYNC RECORD
 =====

GRP 23 1.862.741.00
 JUNCT-B PRIM 48CH(1.862.754.00 24CH)
 =====

GRP 23 1.862.741.00
 <-- <-- <-- CONTINUATION
 =====

ELM 3 54.14.2002 P03

PNT	SIGNAL NAME	COLOR	LV	TYPE	F
1	RECVH-01				
2	RECVL-01				
3	RECVH-02				
4	RECVL-02				
5	RECVH-03				
6	RECVL-03				
7	RECVH-04				
8	RECVL-04				
9	RECVH-05				
10	RECVL-05				
11	RECVH-06				
12	RECVL-06				
13	RECVH-07				
14	RECVL-07				
15	RECVH-08				
16	RECVL-08				

ELM 5 54.14.2002 P05

PNT	SIGNAL NAME	COLOR	LV	TYPE	F
1	RECVH-17				
2	RECVL-17				
3	RECVH-18				
4	RECVL-18				
5	RECVH-19				
6	RECVL-19				
7	RECVH-20				
8	RECVL-20				
9	RECVH-21				
10	RECVL-21				
11	RECVH-22				
12	RECVL-22				
13	RECVH-23				
14	RECVL-23				
15	RECVH-24				
16	RECVL-24				

ELM 4 54.14.2002 P04

PNT	SIGNAL NAME	COLOR	LV	TYPE	F
1	RECVH-09				
2	RECVL-09				
3	RECVH-10				
4	RECVL-10				
5	RECVH-11				
6	RECVL-11				
7	RECVH-12				
8	RECVL-12				
9	RECVH-13				
10	RECVL-13				
11	RECVH-14				
12	RECVL-14				
13	RECVH-15				
14	RECVL-15				
15	RECVH-16				
16	RECVL-16				

ELM 6 54.14.2002 P06

PNT	SIGNAL NAME	COLOR	LV	TYPE	F
1	RECVH-25				
2	RECVL-25				
3	RECVH-26				
4	RECVL-26				
5	RECVH-27				
6	RECVL-27				
7	RECVH-28				
8	RECVL-28				
9	RECVH-29				
10	RECVL-29				
11	RECVH-30				
12	RECVL-30				
13	RECVH-31				
14	RECVL-31				
15	RECVH-32				
16	RECVL-32				

 * STUDER REVOX AG * L O C A T I O N P I N L I S T * 91/02/19 * 11:24 * P A G E 81 *
 * 1.862.010.00 D820-48 PCM TAPE - RECORDER * 90/03/21 - 00 *
 ASY 1 1.862.100.00 TAPE DECK PCM - MCH <-- <-- <-- CONTINUATION

GRP 23 1.862.741.00
 <-- <-- <-- CONTINUATION
 =====

GRP 23 1.862.741.00
 <-- <-- <-- CONTINUATION
 =====

GRP 23 1.862.741.00
 <-- <-- <-- CONTINUATION
 =====

ELM 7 54.14.2002 P07

PNT	SIGNAL NAME	COLOR	LV	TYPE	F
1	RECVH-33				
2	RECVL-33				
3	RECVH-34				
4	RECVL-34				
5	RECVH-35				
6	RECVL-35				
7	RECVH-36				
8	RECVL-36				
9	RECVH-37				
10	RECVL-37				
11	RECVH-38				
12	RECVL-38				
13	RECVH-39				
14	RECVL-39				
15	RECVH-40				
16	RECVL-40				

ELM 9 54.14.2001 P09

PNT	SIGNAL NAME	COLOR	LV	TYPE	F
1	RECVH-RT				
2	RECVL-RT				
3	RECVH-TC				
4	RECVL-TC				
5	+ 0.0				
6	+ 0.0				
7	RECVH-C1				
8	RECVL-C1				
9	RECVH-C2				
10	RECVL-C2				

ELM 11 RECORD HEAD CONNECTOR 1 48 CH

PNT	SIGNAL NAME	COLOR	LV	TYPE	F
1	RECL-31				
2	RECH-31				
3	RECL-06				
4	RECH-06				
5	RECL-30				
6	RECH-30				
7	RECL-05				
8	RECH-05				
9	RECL-29				
10	RECH-29				
11	RECL-04				
12	RECH-04				
13	RECL-28				
14	RECH-28				
15	RECL-03				
16	RECH-03				
17	RECL-27				
18	RECH-27				
19	RECL-02				
20	RECH-02				
21	RECL-26				
22	RECH-26				
23	RECL-01				
24	RECH-01				
25	RECL-25				
26	RECH-25				
27					
28					
29	RECL-C1				
30	RECH-C1				
31	RECH-07				
32	RECL-07				
33	RECH-32				
34	RECL-32				
35	RECH-08				
36	RECL-08				
37	RECH-33				
38	RECL-33				
39	RECH-09				
40	RECL-09				
41	RECH-34				
42	RECL-34				
43	RECH-10				
44	RECL-10				
45	RECH-35				
46	RECL-35				
47	RECH-11				

ELM 8 54.14.2002 P08

PNT	SIGNAL NAME	COLOR	LV	TYPE	F
1	RECVH-41				
2	RECVL-41				
3	RECVH-42				
4	RECVL-42				
5	RECVH-43				
6	RECVL-43				
7	RECVH-44				
8	RECVL-44				
9	RECVH-45				
10	RECVL-45				
11	RECVH-46				
12	RECVL-46				
13	RECVH-47				
14	RECVL-47				
15	RECVH-48				
16	RECVL-48				

STUDER D820 MCH

```
*****
*   STUDER REVOX AG   *   L O C A T I O N   P I N   L I S T   *   91/02/19 * 11:24 * P A G E 82 *
*****
*   1.862.010.00 D820-48 PCM TAPE - RECORDER   *   90/03/21 - 00   *
*****
ASY 1   1.862.100.00 TAPE DECK PCM - MCH
```

```
GRP 23   1.862.741.00
<-- <-- <-- CONTINUATION
=====
```

```
ELM 11
<-- <-- <-- CONTINUATION
-----
```

PNT	SIGNAL NAME	COLOR	LV	TYPE	F
48	RECL-11				
49	RECH-36				
50	RECL-36				
51	RECH-12				
52	RECL-12				
53	RECH-TC				
54	RECL-TC				
55					
56					
57					
58					
59					
60					

```
GRP 23   1.862.741.00
<-- <-- <-- CONTINUATION
=====
```

```
ELM 11A
PRINT CONNECTOR 1 48 CH
-----
```

PNT	SIGNAL NAME	COLOR	LV	TYPE	F
1	RECL-31				
2	RECH-07				
3	RECH-31				
4	RECL-07				
5	RECL-06				
6	RECH-32				
7	RECH-06				
8	RECL-32				
9	RECL-30				
10	RECH-08				
11	RECH-30				
12	RECL-08				
13	RECL-05				
14	RECH-33				
15	RECH-05				
16	RECL-33				
17	RECL-29				
18	RECH-09				
19	RECH-29				
20	RECL-09				
21	RECL-04				
22	RECH-34				
23	RECH-04				
24	RECL-34				
25	RECL-28				
26	RECH-10				
27	RECH-28				
28	RECL-10				
29	RECL-03				
30	RECH-35				
31	RECH-03				
32	RECL-35				
33	RECL-27				
34	RECH-11				
35	RECH-27				
36	RECL-11				
37	RECL-02				
38	RECH-36				
39	RECH-02				
40	RECL-36				
41	RECL-26				
42	RECH-12				
43	RECH-26				
44	RECL-12				
45	RECL-01				
46	RECH-TC				
47	RECH-01				

```
GRP 23   1.862.741.00
<-- <-- <-- CONTINUATION
=====
```

```
ELM 11A
<-- <-- <-- CONTINUATION
-----
```

PNT	SIGNAL NAME	COLOR	LV	TYPE	F
48	RECL-TC				
49	RECL-25				
50					
51	RECH-25				
52					
53					
54					
55					
56					
57	RECL-C1				
58					
59	RECH-C1				
60					

 * STUDER REVOX AG * L O C A T I O N P I N L I S T * 91/02/19 * 11:24 * PAGE 83 *

 * 1.862.010.00 D820-48 PCM TAPE - RECORDER * 90/03/21 - 00 *

 ASY 1 1.862.100.00 TAPE DECK PCM - MCH ***** CONTINUATION

GRP 23 1.862.741.00
 <-- <-- <-- CONTINUATION
 =====

ELM 12
 RECORD HEAD CONNECTOR 2 48 CH

PNT	SIGNAL NAME	COLOR	LV	TYPE	F
1					
2					
3	RECL-C2				
4	RECH-C2				
5					
6					
7	RECL-48				
8	RECH-48				
9	RECL-24				
10	RECH-24				
11	RECL-47				
12	RECH-47				
13	RECL-23				
14	RECH-23				
15	RECL-46				
16	RECH-46				
17	RECL-22				
18	RECH-22				
19	RECL-45				
20	RECH-45				
21	RECL-21				
22	RECH-21				
23	RECL-44				
24	RECH-44				
25	RECL-20				
26	RECH-20				
27	RECL-43				
28	RECH-43				
29	RECL-19				
30	RECH-19				
31					
32					
33					
34					
35	RECH-RT				
36	RECL-RT				
37	RECH-13				
38	RECL-13				
39	RECH-37				
40	RECL-37				
41	RECH-14				
42	RECL-14				
43	RECH-38				
44	RECL-38				
45	RECH-15				
46	RECL-15				
47	RECH-39				

GRP 23 1.862.741.00
 <-- <-- <-- CONTINUATION
 =====

ELM 12
 <-- <-- <-- CONTINUATION

PNT	SIGNAL NAME	COLOR	LV	TYPE	F
48	RECL-39				
49	RECH-16				
50	RECL-16				
51	RECH-40				
52	RECL-40				
53	RECH-17				
54	RECL-17				
55	RECH-41				
56	RECL-41				
57	RECH-18				
58	RECL-18				
59	RECH-42				
60	RECL-42				

GRP 23 1.862.741.00
 <-- <-- <-- CONTINUATION
 =====

ELM 12A
 PRINT CONNECTOR 2 48 CH

PNT	SIGNAL NAME	COLOR	LV	TYPE	F
1					
2					
3					
4					
5	RECL-C2				
6					
7	RECH-C2				
8					
9					
10	RECH-RT				
11					
12	RECL-RT				
13	RECL-48				
14	RECH-13				
15	RECH-48				
16	RECL-13				
17	RECL-24				
18	RECH-37				
19	RECH-24				
20	RECL-37				
21	RECL-47				
22	RECH-14				
23	RECH-47				
24	RECL-14				
25	RECL-23				
26	RECH-38				
27	RECH-23				
28	RECL-38				
29	RECL-46				
30	RECH-15				
31	RECH-46				
32	RECL-15				
33	RECL-22				
34	RECH-39				
35	RECH-22				
36	RECL-39				
37	RECL-45				
38	RECH-16				
39	RECH-45				
40	RECL-16				
41	RECL-21				
42	RECH-40				
43	RECH-21				
44	RECL-40				
45	RECL-44				
46	RECH-17				
47	RECH-44				

 * STUDER REVOX AG * L O C A T I O N P I N L I S T * 91/02/19 * 11:24 * PAGE 84 *

 * 1.862.010.00 D820-48 PCM TAPE - RECORDER * 90/03/21 - 00 *

 ASY 1 1.862.100.00 TAPE DECK PCM - MCH ***** CONTINUATION

GRP 23 1.862.741.00
 <-- <-- <-- CONTINUATION
 =====

ELM 12A
 <-- <-- <-- CONTINUATION

PNT	SIGNAL NAME	COLOR	LV	TYPE	F
48	RECL-17				
49	RECL-20				
50	RECH-41				
51	RECH-20				
52	RECL-41				
53	RECL-43				
54	RECH-18				
55	RECH-43				
56	RECL-18				
57	RECL-19				
58	RECH-42				
59	RECH-19				
60	RECL-42				

GRP 23 1.862.741.00
 <-- <-- <-- CONTINUATION
 =====

ELM 21
 RECORD HEAD CONNECTOR 1 24 CH

PNT	SIGNAL NAME	COLOR	LV	TYPE	F
1	RECH-C1				
2	RECL-TC				
3	RECL-C1				
4	RECH-TC				
5					
6					
7					
8					
9					
10					
11	RECH-01				
12	RECL-12				
13	RECL-01				
14	RECH-12				
15	RECH-02				
16	RECL-11				
17	RECL-02				
18	RECH-11				
19	RECH-03				
20	RECL-10				
21	RECL-03				
22	RECH-10				
23	RECH-04				
24	RECL-09				
25	RECL-04				
26	RECH-09				
27	RECH-05				
28	RECL-08				
29	RECL-05				
30	RECH-08				
31	RECH-06				
32	RECL-07				
33	RECL-06				
34	RECH-07				

GRP 23 1.862.741.00
 <-- <-- <-- CONTINUATION
 =====

ELM 21A
 PRINT CONNECTOR 1 24 CH

PNT	SIGNAL NAME	COLOR	LV	TYPE	F
1	RECH-C1				
2	RECL-TC				
3	RECL-C1				
4	RECH-TC				
5					
6					
7					
8					
9					
10					
11	RECH-01				
12	RECL-12				
13	RECL-01				
14	RECH-12				
15	RECH-02				
16	RECL-11				
17	RECL-02				
18	RECH-11				
19	RECH-03				
20	RECL-10				
21	RECL-03				
22	RECH-10				
23	RECH-04				
24	RECL-09				
25	RECL-04				
26	RECH-09				
27	RECH-05				
28	RECL-08				
29	RECL-05				
30	RECH-08				
31	RECH-06				
32	RECL-07				
33	RECL-06				
34	RECH-07				

STUDER D820 MCH

```
*****
* STUDER REVOX AG * L O C A T I O N P I N L I S T * 91/02/19 * 11:24 * P A G E 85 *
*****
* 1.862.010.00 D820-48 PCM TAPE - RECORDER * 90/03/21 - 00 *
*****
ASY 1 1.862.100.00 TAPE DECK PCM - MCH <-- <-- <-- CONTINUATION
```

```
GRP 23 1.862.741.00
<-- <-- <-- CONTINUATION
=====
```

```
ELM 22
RECORD HEAD CONNECTOR 2 24 CH
```

PNT	SIGNAL NAME	COLOR	LV	TYPE	F
1	RECH-19				
2	RECL-18				
3	RECL-19				
4	RECH-18				
5	RECH-20				
6	RECL-17				
7	RECL-20				
8	RECH-17				
9	RECH-21				
10	RECL-16				
11	RECL-21				
12	RECH-16				
13	RECH-22				
14	RECL-15				
15	RECL-22				
16	RECH-15				
17	RECH-23				
18	RECL-14				
19	RECL-23				
20	RECH-14				
21	RECH-24				
22	RECL-13				
23	RECL-24				
24	RECH-13				
25					
26					
27					
28					
29					
30					
31	RECH-C2				
32	RECL-RT				
33	RECL-C2				
34	RECH-RT				

```
GRP 23 1.862.741.00
<-- <-- <-- CONTINUATION
=====
```

```
ELM 22A
PRINT CONNECTOR 2 24 CH
```

PNT	SIGNAL NAME	COLOR	LV	TYPE	F
1	RECH-19				
2	RECL-18				
3	RECL-19				
4	RECH-18				
5	RECH-20				
6	RECL-17				
7	RECL-20				
8	RECH-17				
9	RECH-21				
10	RECL-16				
11	RECL-21				
12	RECH-16				
13	RECH-22				
14	RECL-15				
15	RECL-22				
16	RECH-15				
17	RECH-23				
18	RECL-14				
19	RECL-23				
20	RECH-14				
21	RECH-24				
22	RECL-13				
23	RECL-24				
24	RECH-13				
25					
26					
27					
28					
29					
30					
31	RECH-C2				
32	RECL-RT				
33	RECL-C2				
34	RECH-RT				

```
GRP 24 1.862.751.00
JUNCT-B SYNC 48CH(1.862.75X.00 24CH)
=====
```

```
*****
* STUDER REVOX AG * L O C A T I O N P I N L I S T * 91/02/19 * 11:24 * P A G E 86 *
*****
* 1.862.010.00 D820-48 PCM TAPE - RECORDER * 90/03/21 - 00 *
*****
ASY 1 1.862.100.00 TAPE DECK PCM - MCH <-- <-- <-- CONTINUATION
```

```
GRP 25
REMOTE CONTROL PANEL
=====
```

```
ELM 1
CONN. AUTOLOCATOR, REMOTE TIMER J01
```

PNT	SIGNAL NAME	COLOR	LV	TYPE	F
1	SHIELD		B		
2	SR-REC		B		
3	TR-A		B		
4	KEY		B		
5	+ 0.0		B		
6	SR-PLAY		B		
7	TR-B		B		
8	SIGN.GND		B		
9	+STABIN4		B		

```
ELM 2
CONNECTOR SYNCHRONIZER CONTROL J02
```

PNT	SIGNAL NAME	COLOR	LV	TYPE	F
1	+ 0.0		B		
2	BR-REW		B		
3	BR-FORM		B		
4	BR-VRSPD		B		
5	SR-VRSPD		B		
6	SR-REHSL		B		
7	OR-MVCLK		B		
8	KEY/CDIR		B		
9	BR-REC		B		
10	OR-MVDIR		B		
11	OR-CMCLK		B		
12	OR-SYENB		B		
13	IR-REFEX		B		
14	+ 0.0		B		
15	BR-PLAY		B		
16	BR-STOP		B		
17	SR-LIFT		B		
18	SR-MUTE		B		
19	SR-REC		B		
20	SR-REW		B		
21	SR-FORM		B		
22	SR-PLAY		B		
23	SR-STOP		B		
24	SR-RVPS		B		
25	+24.OREM		B		

```
GRP 25
<-- <-- <-- CONTINUATION
=====
```

```
ELM 3
CONN. PARALLEL REMOTE CONTROL J01
```

PNT	SIGNAL NAME	COLOR	LV	TYPE	F
1	+ 0.0		B		
2	BR-REW		B		
3	BR-FORM		B		
4	BR-VRSPD		B		
5	SR-VRSPD		B		
6	SR-FADRY		B		
7	BR-LOCST		B		
8	BR-FADRY		B		
9	BR-REC		B		
10	SR-RESET		B		
11	FAD1		B		
12	FAD2		B		
13	IR-REFEX		B		
14	SR-OLOC		B		
15	BR-PLAY		B		
16	BR-STOP		B		
17	SR-LIFT		B		
18	SR-LOCST		B		
19	SR-REC		B		
20	SR-REW		B		
21	SR-FORM		B		
22	SR-PLAY		B		
23	SR-STOP		B		
24	KEY		B		
25	+24.OREM		B		

```
GRP 27 1.820.738.00
PARALLEL CONTROL INTERFACE
=====
```

```
ELM 1
TO GRP26, ELM01 (SERIAL REM. IF) P01
```

PNT	SIGNAL NAME	COLOR	LV	TYPE	F
1	+ 0.0				
2	+ 5.0				
3	+STABIN4				
4	T-RL0				
5	T-RL1				
6	T-SL3				
7	T-A5				
8	T-BD				
9	T-A1				
10	T-A2				
11	T-B3				
12	T-A0				
13	T-B1				
14	T-B2				
15	T-B0				
16	T-SL0				
17	T-SL1				
18	T-RL7				
19	T-RL6				
20	T-OE				
21	T-SL2				
22	T-RL5				
23	T-RL4				
24	T-RESET				
25	T-RL3				
26	T-RL2				

 * STUDER REVOX AG * L O C A T I O N P I N L I S T * 91/02/19 * 11:24 * P A G E 87 *

 * 1.862.010.00 D820-48 PCM TAPE - RECORDER * 90/03/21 - 00 *

 ASY 1 1.862.100.00 TAPE DECK PCM - MCH <-- <-- <-- CONTINUATION

GRP 27 1.820.738.00
 <-- <-- <-- CONTINUATION
 =====

ELM 2				CONNECTOR REMOTE CTR IF P27			
PNT	SIGNAL NAME	COLOR	LV TYPE	F			
1	+ 0.0						
2	+ 0.0						
3	+ 5.6						
4	+ 5.6						
5	+STABIN3						
6	+STABIN3						
7	PI-DSL5						
8	PI-ISL5						
9	PI-DRES						
10	PI-IRES						
11	PI-DRM						
12	PI-IRM						
13	PI-DENB						
14	PI-IENB						
15	T-REFEXS						
16	0.0 VCU						
17	TC-TCMV						
18	TC-TCDIR						
19	PI-DADRO						
20	PI-IADRO						
21	TM-REMIR						
22	0.0 VCU						
23	TD-MVCL						
24	TD-MVDI						
25	PI-DATA7						
26	0.0 VCU						
27	PI-DATA6						
28	0.0 VCU						
29	PI-DATA5						
30	0.0 VCU						
31	PI-DATA4						
32	0.0 VCU						
33	PI-DATA3						
34	0.0 VCU						
35	PI-DATA2						
36	0.0 VCU						
37	PI-DATA1						
38	0.0 VCU						
39	PI-DATA0						
40	0.0 VCU						

GRP 27 1.820.738.00
 <-- <-- <-- CONTINUATION
 =====

ELM 2A				CIRCUIT DIAGRAM SIGNAL NAMES P27			
PNT	SIGNAL NAME	COLOR	LV TYPE	F			
1	+ 0.0						
2	+ 0.0						
3	+ 5.6						
4	+ 5.6						
5	+REMSUP						
6	+REMSUP						
7	TM-DSL5						
8	TM-ISL5						
9	TM-DRES						
10	TM-IRES						
11	TM-DRM						
12	TM-IRM						
13	TM-DENB						
14	TM-IENB						
15	T-REFEX						
16	0.0 VCU						
17	TC-TCMV						
18	TC-TCDIR						
19	TM-DADRO						
20	TM-IADRO						
21	TM-REMIR						
22	0.0 VCU						
23	TD-MVCLK						
24	TD-MVDIR						
25	TM-DATA7						
26	0.0 VCU						
27	TM-DATA6						
28	0.0 VCU						
29	TM-DATA5						
30	0.0 VCU						
31	TM-DATA4						
32	0.0 VCU						
33	TM-DATA3						
34	0.0 VCU						
35	TM-DATA2						
36	0.0 VCU						
37	TM-DATA1						
38	0.0 VCU						
39	TM-DATA0						
40	0.0 VCU						

GRP 27 1.820.738.00
 <-- <-- <-- CONTINUATION
 =====

ELM 3				TO GRP25, ELM02 (SYNCHRONIZER) P03			
PNT	SIGNAL NAME	COLOR	LV TYPE	F			
1	+ 0.0						
2	+ 0.0						
3	BR-REW						
4	BR-PLAY						
5	BR-FORM						
6	BR-STOP						
7	BR-VRSPD						
8	SR-LIFT						
9	SR-VRSPD						
10	SR-MUTE						
11	SR-REHSL						
12	SR-REC						
13	OR-MVCLK						
14	SR-REM						
15	KEY/CDIR						
16	SR-FORM						
17	BR-REC						
18	SR-PLAY						
19	OR-MVDIR						
20	SR-STOP						
21	OR-CMCLK						
22	SR-RVPS						
23	OR-SYENB						
24	+24.OREM						
25	IR-REFEX						
26							

 * STUDER REVOX AG * L O C A T I O N P I N L I S T * 91/02/19 * 11:24 * P A G E 88 *

 * 1.862.010.00 D820-48 PCM TAPE - RECORDER * 90/03/21 - 00 *

 ASY 1 1.862.100.00 TAPE DECK PCM - MCH <-- <-- <-- CONTINUATION

GRP 27 1.820.738.00
 <-- <-- <-- CONTINUATION
 =====

ELM 4				TO CONN. PARALLEL REMOTE CONTR. P04			
PNT	SIGNAL NAME	COLOR	LV TYPE	F			
1	+ 0.0						
2	SR-LOC						
3	BR-REW						
4	BR-PLAY						
5	BR-FORM						
6	BR-STOP						
7	BR-VRSPD						
8	SR-LIFT						
9	SR-VRSPD						
10	SR-LOCST						
11	SR-FADRY						
12	SR-REC						
13	BR-LOCST						
14	SR-REM						
15	BR-FADRY						
16	SR-FORM						
17	BR-REC						
18	SR-PLAY						
19	SR-RESET						
20	SR-STOP						
21	FAD1						
22	RES						
23	FAD2						
24	+24.OREM						
25	IR-REFEX						
26							

ELM 5				GROUND PIN P05			
PNT	SIGNAL NAME	COLOR	LV TYPE	F			
1	GND		Y				

ELM 6				CONN. AUTOLOC - PARALLEL P06			
PNT	SIGNAL NAME	COLOR	LV TYPE	F			
1	+ 0.0						
2	SR-REC						
3	SR-PLAY						
4							

GRP 28 1.862.000.00
 SERBUS CONNECTOR PANEL BOX
 =====

ELM 1				SERBUS AUDIO CONTROL CONNECTOR ...			
PNT	SIGNAL NAME	COLOR	LV TYPE	F			
1	PI-SCLK						
2	PI-ISCLK						
3	PI-STPH						
4	PI-ISTPH						
5	PI-SDAT						
6	PI-ISDAT						
7	PI-SVAL						
8	PI-ISVAL						
9	GND						
10	GND						

GRP 29 1.820.869.00
 POWER FAIL SENSE BOARD
 =====

ELM 1				FROM SP. M. DRIVE AMPL. RIGHT J01			
PNT	SIGNAL NAME	COLOR	LV TYPE	F			
1	-VMOT		BX				
2	+VMOT		BX				

ELM 2				TO SPOOLING MOTOR RIGHT J02			
PNT	SIGNAL NAME	COLOR	LV TYPE	F			
1	-VMOT		BX				
2	+VMOT		BX				

ELM 3				FROM SP. M. DRIVE AMPL. LEFT J03			
PNT	SIGNAL NAME	COLOR	LV TYPE	F			
1	-VMOT		BX				
2	+VMOT		BX				

ELM 4				TO SPOOLING MOTOR LEFT J04			
PNT	SIGNAL NAME	COLOR	LV TYPE	F			
1	-VMOT		BX				
2	+VMOT		BX				

STUDER D820 MCH

 * STUDER REVOX AG * L O C A T I O N P I N L I S T * 91/02/19 * 11:24 * P A G E 89 *

 * 1.862.010.00 D820-48 PCM TAPE - RECORDER * 90/03/21 - 00 *

 ASY 1 1.862.100.00 TAPE DECK PCM - MCH <-- <-- <-- CONTINUATION

GRP 29 1.820.869.00
 <-- <-- <-- CONTINUATION

ELM 5
 FROM GRP20, ELM66 (BASIS B. TD) P01

PNT	SIGNAL NAME	COLOR	LV	TYPE	F
1	+ 0.0				
2	+ 0.0				
3	+ 5.6				
4	+ 5.6				
5	+15.0				
6	-15.0				
7	PWMPL-L1				
8	PWMPL-L2				
9	PWMPL-H1				
10	PWMPL-H2				
11	PWMPL-L3				
12	PWMPL-L4				
13	AN-ICRD				
14	PWMPL-L5				
15	PWMPL-L6				
16	+ 0.0				

ELM 6
 TO SPOOLING M. DRIVE AMP. RIGHT P02

PNT	SIGNAL NAME	COLOR	LV	TYPE	F
1	+ 0.0				
2	+ 0.0				
3	+ 5.6				
4	+ 5.6				
5	+15.0				
6	-15.0				
7	PWMPL-L1				
8	PWMPL-L2				
9	PWMPL-H1				
10	PWMPL-H2				
11	PWMPL-L3				
12	PWMPL-L4				
13	AN-ICRD				
14	PWMPL-L5				
15	PWMPL-L6				
16	+ 0.0				

GRP 30 1.820.875.00
 SPOOLING MOTOR DRIVE AMPLIFIER RIGHT

ELM 1
 SUPPLY INPUT J03

PNT	SIGNAL NAME	COLOR	LV	TYPE	F
1	+ 0.0			BX	
2	OSTABIN			BX	
3				BX	
4	+STABIN1			BX	

ELM 2
 FROM GRP29, ELM06 P01

PNT	SIGNAL NAME	COLOR	LV	TYPE	F
1	+ 0.0				
2	+ 0.0				
3	+ 5.6				
4	+ 5.6				
5	+15.0				
6	-15.0				
7	PWMPL-L1				
8	PWMPL-L2				
9	PWMPL-H1				
10	PWMPL-H2				
11	PWMPL-L3				
12	PWMPL-L4				
13	AN-ICRD				
14	PWMPL-L5				
15	PWMPL-L6				
16	+ 0.0				

ELM 3
 OUTPUT MOTOR RIGHT J01

PNT	SIGNAL NAME	COLOR	LV	TYPE	F
1	-VMOT			BX	
2	+VMOT			BX	

ELM 4
 (OUTPUT MOTOR LEFT) J02

PNT	SIGNAL NAME	COLOR	LV	TYPE	F
1	+VMOT			BX	
2	-VMOT			BX	

GRP 31 1.820.873.00
 SWITCHING STAB. +15.0 / -15.0

ELM 1
 FROM DISTRIBUTION BOARD (ELM20) P01

PNT	SIGNAL NAME	COLOR	LV	TYPE	F
1	+ 0.0				
2	+ 0.0				
3	+ 5.6				
4	+ 5.6				
5	+15.0				
6	-15.0				
7	TD-C76K				
8	TD-PHEN1				
9					
10					

ELM 2
 DC OUTPUT (GRP35, ELM53) P02

PNT	SIGNAL NAME	COLOR	LV	TYPE	F
1	-15.0			BX	
2	-15.0			BX	
3	+ 0.0			BX	
4	+ 0.0			BX	
5	+15.0			BX	
6	+15.0			BX	
7	+ 0.0			BX	
8	+24.0NRS			BX	

ELM 3
 DC INPUT (GRP35, ELM54) P03

PNT	SIGNAL NAME	COLOR	LV	TYPE	F
1	OSTABIN			BX	
2	OSTABIN			BX	
3	+STABIN2			BX	
4	+STABIN2			BX	

 * STUDER REVOX AG * L O C A T I O N P I N L I S T * 91/02/19 * 11:24 * P A G E 90 *

 * 1.862.010.00 D820-48 PCM TAPE - RECORDER * 90/03/21 - 00 *

 ASY 1 1.862.100.00 TAPE DECK PCM - MCH <-- <-- <-- CONTINUATION

GRP 32 1.820.872.00
 SWITCHING STABILIZER +5.6

ELM 1
 FROM DISTRIBUTION BOARD (ELM21) P01

PNT	SIGNAL NAME	COLOR	LV	TYPE	F
1	+ 0.0				
2	+ 0.0				
3	+ 5.6				
4	+ 5.6				
5	+15.0				
6	-15.0				
7	TD-C76K				
8	TD-PHEN2				
9	+0.0SENS				
10	+5.6SENS				

ELM 2
 DC OUTPUT (GRP35, ELM55) P02

PNT	SIGNAL NAME	COLOR	LV	TYPE	F
1	+ 0.0			BX	
2	+24.0			BX	
3	-26.0			BX	
4	+ 0.0			BX	
5	+26.0			BX	
6				BX	
7	+ 0.0			BX	
8	+ 0.0			BX	
9	+ 5.6			BX	
10	+ 5.6			BX	

ELM 3
 DC INPUT (GRP35, ELM56) P03

PNT	SIGNAL NAME	COLOR	LV	TYPE	F
1	OSTABIN			BX	
2	+STABIN3			BX	

GRP 33 1.820.875.00
 SPOOLING MOTOR DRIVE AMPLIFIER LEFT

ELM 1
 SUPPLY INPUT J03

PNT	SIGNAL NAME	COLOR	LV	TYPE	F
1	+ 0.0			BX	
2	OSTABIN			BX	
3				BX	
4	+STABIN1			BX	

ELM 2
 FROM GRP20, ELM67 (BASIS B. TD) P01

PNT	SIGNAL NAME	COLOR	LV	TYPE	F
1	+ 0.0				
2	+ 0.0				
3	+ 5.6				
4	+ 5.6				
5	+15.0				
6	-15.0				
7	PWMPL-L1				
8	PWMPL-L2				
9	PWMPL-H1				
10	PWMPL-H2				
11	PWMPL-L3				
12	PWMPL-L4				
13	AN-ICLD				
14	PWMPL-L5				
15	PWMPL-L6				
16	+ 0.0				

ELM 3
 (OUTPUT MOTOR RIGHT) J01

PNT	SIGNAL NAME	COLOR	LV	TYPE	F
1	-VMOT			BX	
2	+VMOT			BX	

ELM 4
 OUTPUT MOTOR LEFT J02

PNT	SIGNAL NAME	COLOR	LV	TYPE	F
1	+VMOT			BX	
2	-VMOT			BX	

GRP 34
 GROUND CONNECTION

ELM 1
 GROUND CONNECTION P01

PNT	SIGNAL NAME	COLOR	LV	TYPE	F
1	GND	0		J	

 * STUDER REVOX AG * L O C A T I O N P I N L I S T * 91/02/19 * 11:24 * P A G E 91 *

 * 1.862.010.00 D820-48 PCM TAPE - RECORDER * 90/03/21 - 00 *

 ASY 1 1.862.100.00 TAPE DECK PCM - MCH <-- <-- <-- CONTINUATION

GRP 35 1.862.744.00
 DISTRIBUTION BOARD TAPE DECK
 =====

ELM 1
 WIRE FIELD

PNT	SIGNAL NAME	COLOR	LV	TYPE	F
1	OSTABIN				
2	OSTABIN				
3	+ 0.0				
4	+ 0.0				
5	+ 0.0				
6	+ 0.0	0		L	
7	GND	0		L	
8	OSTABIN				
9	OSTABIN				
10	+ 0.0				
11	+ 0.0				
12	+ 0.0	0		L	
13	+ 0.0	0		L	
14	+ 0.0	0		L	
15	OSTABIN				
16	OSTABIN				
17	+ 0.0				
18	+ 0.0				
19	OSTABIN				
20	+ 0.0	0		L	
21	OSTABIN	0		L	
22	OSTABIN	0		L	
23	OSTABIN	0		L	
24	+ 0.0	0		L	
25	+ 0.0	0		L	
26	OSTABIN	0		L	
27	OSTABIN	0		L	
28	OSTABIN	0		L	
29	OSTABIN	0		L	
30	OSTABIN	0		L	
31	OSTABIN	0		L	
32	+ 0.0	0		L	
33	OSTABIN	0		L	
34	OSTABIN	0		L	
35	OSTABIN	0		L	
36	+ 0.0	0		L	
37	OSTABIN	0		L	
38	OSTABIN	0		L	
39	+ 0.0	0		L	
40	+ 0.0	0		L	
41	+ 0.0	0		L	
42	+ 0.0	0		L	
43	+ 0.0	0		L	
44	+ 0.0	0		L	
45	+ 0.0	0		L	
46	+ 0.0	0		L	
47	+ 0.0	0		L	

GRP 35 1.862.744.00
 <-- <-- <-- CONTINUATION
 =====

ELM 1
 <-- <-- <-- CONTINUATION

PNT	SIGNAL NAME	COLOR	LV	TYPE	F
48	+ 0.0	0		L	
49	+ 0.0	0		L	
50	+ 0.0				
51	+ 0.0				
52	+ 0.0				
53	+ 0.0				
54	+ 0.0				
55	+ 0.0				

GRP 35 1.862.744.00
 <-- <-- <-- CONTINUATION
 =====

ELM 4
 WIRE FIELD

PNT	SIGNAL NAME	COLOR	LV	TYPE	F
1	+24.0				
2	+24.0				
3	+24.0	7		L	
4	+24.0	7		L	

ELM 2
 WIRE FIELD

PNT	SIGNAL NAME	COLOR	LV	TYPE	F
1	T-PWRON	5		U	
2	T-PWRON	5		U	
3	T-PWRON				
4	T-PWRON				
5	T-PWRON				
6	T-PWRON				

ELM 5
 WIRE FIELD

PNT	SIGNAL NAME	COLOR	LV	TYPE	F
1	+26.0	1		U	
2	+26.0	1		L	
3	+26.0				
4	+26.0				

ELM 6
 WIRE FIELD

PNT	SIGNAL NAME	COLOR	LV	TYPE	F
1	-26.0	8		U	
2	-26.0	8		L	
3	-26.0				
4	-26.0				

ELM 3
 WIRE FIELD

PNT	SIGNAL NAME	COLOR	LV	TYPE	F
1	+STABIN1				
2	+STABIN1				
3	+STABIN1				
4	+STABIN1				
5	+STABIN1				
6	+STABIN1	2		U	
7	+STABIN1	2		U	
8	+STABIN1				
9	+STABIN1				
10	+STABIN1	2		L	
11	+STABIN1				
12	+STABIN1				
13	+STABIN1	2		L	
14	+STABIN1				

ELM 7
 WIRE FIELD

PNT	SIGNAL NAME	COLOR	LV	TYPE	F
1	+STABIN3				
2	+STABIN3				
3	+STABIN3	2		L	
4	+STABIN3	2		L	
5	+STABIN3	2		L	
6	+STABIN3				
7	+STABIN3				
8	+STABIN3				

 * STUDER REVOX AG * L O C A T I O N P I N L I S T * 91/02/19 * 11:24 * P A G E 92 *

 * 1.862.010.00 D820-48 PCM TAPE - RECORDER * 90/03/21 - 00 *

 ASY 1 1.862.100.00 TAPE DECK PCM - MCH <-- <-- <-- CONTINUATION

GRP 35 1.862.744.00
 <-- <-- <-- CONTINUATION
 =====

ELM 8
 WIRE FIELD

PNT	SIGNAL NAME	COLOR	LV	TYPE	F
1	PNLBUS1				
2	PNLBUS1				
3	PNLBUS1				
4	PNLBUS1				
5	PNLBUS1				
6	PNLBUS1				

GRP 35 1.862.744.00
 <-- <-- <-- CONTINUATION
 =====

ELM 12
 WIRE FIELD

PNT	SIGNAL NAME	COLOR	LV	TYPE	F
1	TD-PHEN1				
2	TD-PHEN1				

GRP 35 1.862.744.00
 <-- <-- <-- CONTINUATION
 =====

ELM 16
 WIRE FIELD

PNT	SIGNAL NAME	COLOR	LV	TYPE	F
1	-15.0				
2	-15.0				
3	-15.0	6		L	
4	-15.0	6		L	
5	-15.0	6		L	
6	-15.0	6		L	
7	-15.0	6		L	
8	-15.0	6		L	
9	-15.0	6		L	

ELM 9
 WIRE FIELD

PNT	SIGNAL NAME	COLOR	LV	TYPE	F
1	PNLBUS2				
2	PNLBUS2				
3	PNLBUS2				
4	PNLBUS2				
5	PNLBUS2				
6	PNLBUS2				

ELM 13
 WIRE FIELD

PNT	SIGNAL NAME	COLOR	LV	TYPE	F
1	TD-PHEN2				
2	TD-PHEN2				

ELM 17
 WIRE FIELD

PNT	SIGNAL NAME	COLOR	LV	TYPE	F
1	+15.0				
2	+15.0				
3	+15.0	2		L	
4	+15.0	2		L	
5	+15.0	2		L	
6	+15.0	2		L	
7	+15.0				
8	+15.0				
9	+15.0				

ELM 10
 WIRE FIELD

PNT	SIGNAL NAME	COLOR	LV	TYPE	F
1	+STABIN2				
2	+STABIN2	2		L	
3	+STABIN2	2		L	
4	+STABIN2	2		L	

ELM 14
 WIRE FIELD

PNT	SIGNAL NAME	COLOR	LV	TYPE	F
1	TD-C76K	9		U	
2	TD-C76K				
3	TD-C76K				
4	TD-C76K				
5	TD-C76K				
6	TD-C76K				

ELM 18
 WIRE FIELD

PNT	SIGNAL NAME	COLOR	LV	TYPE	F
1	+ 5.6				
2	+ 5.6				
3	+ 5.6				
4	+ 5.6	3		L	
5	+ 5.6	3		L	
6	+ 5.6	3		L	
7	+ 5.6				
8	+ 5.6	3		L	
9	+ 5.6				
10	+ 5.6	3		L	
11	+ 5.6				
12	+ 5.6	3		L	

ELM 11
 WIRE FIELD

PNT	SIGNAL NAME	COLOR	LV	TYPE	F
1	+STABIN2				
2	+STABIN2	2		L	
3	+STABIN2				
4	+STABIN2				

STUDER D820 MCH

 * STUDER REVOX AG * L O C A T I O N P I N L I S T * 91/02/19 * 11:24 * P A G E 93 *
 * 1.862.010.00 D820-48 PCM TAPE - RECORDER * 90/03/21 - 00 *
 ASY 1 1.862.100.00 TAPE DECK PCM - MCH <-- <-- <-- CONTINUATION

GRP 35 1.862.744.00
 <-- <-- <-- CONTINUATION

ELM 20 TO GRP31, ELM01 P01

PNT	SIGNAL NAME	COLOR	LV	TYPE	F
1	+ 0.0				
2	+ 0.0				
3	+ 5.6				
4	+ 5.6				
5	+15.0				
6	-15.0				
7	TD-C76K				
8	TD-PHEN1				
9					
10					

ELM 21 TO GRP32, ELM01 P02

PNT	SIGNAL NAME	COLOR	LV	TYPE	F
1	+ 0.0				
2	+ 0.0				
3	+ 5.6				
4	+ 5.6				
5	+15.0				
6	-15.0				
7	TD-C76K				
8	TD-PHEN2				
9					
10					

ELM 22 AUDIO RACK CH 1 TO 8 J01

PNT	SIGNAL NAME	COLOR	LV	TYPE	F
1	+ 5.6			BX	
2				BX	
3	+ 0.0			BX	
4	+ 0.0			BX	
5	+15.0			BX	
6				BX	
7	-15.0			BX	
8				BX	
9	RESERVE			BX	
10	+24.0NRS			BX	

 * STUDER REVOX AG * L O C A T I O N P I N L I S T * 91/02/19 * 11:24 * P A G E 94 *
 * 1.862.010.00 D820-48 PCM TAPE - RECORDER * 90/03/21 - 00 *
 ASY 1 1.862.100.00 TAPE DECK PCM - MCH <-- <-- <-- CONTINUATION

GRP 35 1.862.744.00
 <-- <-- <-- CONTINUATION

ELM 52 54.25.0304 TO SP. MOTOR DRIVE AMPL. RIGHT P52

PNT	SIGNAL NAME	COLOR	LV	TYPE	F
1	+ 0.0	0		AX	
2	OSTABIN	0		AX	
3					
4	+STABIN1	2		AX	

ELM 53 54.25.0308 FROM SW. STABILIZER +15.0/ -15.0 P53

PNT	SIGNAL NAME	COLOR	LV	TYPE	F
1	-15.0	6		AX	
2	-15.0	6		AX	
3	+ 0.0	0		AX	
4	+ 0.0	0		AX	
5	+15.0	2		AX	
6	+15.0	2		AX	
7	+ 0.0	0		AX	
8	+24.0NRS	7		AX	

ELM 54 54.25.0304 TO SWIT. STABILIZER +15.0/ -15.0 P54

PNT	SIGNAL NAME	COLOR	LV	TYPE	F
1	OSTABIN	0		AX	
2	OSTABIN	0		AX	
3	+STABIN2	2		AX	
4	+STABIN2	2		AX	

ELM 55 54.25.0310 FROM SWITCHING STABILIZER +5.6 P55

PNT	SIGNAL NAME	COLOR	LV	TYPE	F
1	+ 0.0	0		AX	
2	+24.0	7		AX	
3	-26.0	8		AX	
4	+ 0.0	0		AX	
5	+26.0	1		AX	
6					
7	+ 0.0	0		AX	
8	+ 0.0	0		AX	
9	+ 5.6	3		AX	
10	+ 5.6	3		AX	

GRP 35 1.862.744.00
 <-- <-- <-- CONTINUATION

ELM 23 AUDIO RACK CH 9 TO 16 J02

PNT	SIGNAL NAME	COLOR	LV	TYPE	F
1	+ 5.6			BX	
2				BX	
3	+ 0.0			BX	
4	+ 0.0			BX	
5	+15.0			BX	
6				BX	
7	-15.0			BX	
8				BX	
9	RESERVE			BX	
10	+24.0NRS			BX	

ELM 24 AUDIO RACK CH 17 TO 24 J03

PNT	SIGNAL NAME	COLOR	LV	TYPE	F
1	+ 5.6			BX	
2				BX	
3	+ 0.0			BX	
4	+ 0.0			BX	
5	+15.0			BX	
6				BX	
7	-15.0			BX	
8				BX	
9	RESERVE			BX	
10	+24.0NRS			BX	

ELM 25 WIRE FIELD

PNT	SIGNAL NAME	COLOR	LV	TYPE	F
1	RESERVE1				
2	RESERVE1				
3	RESERVE1				
4	RESERVE1				

GRP 35 1.862.744.00
 <-- <-- <-- CONTINUATION

ELM 26 WIRE FIELD

PNT	SIGNAL NAME	COLOR	LV	TYPE	F
1	RESERVE2				
2	RESERVE2				
3	RESERVE2				
4	RESERVE2				

ELM 27 WIRE FIELD

PNT	SIGNAL NAME	COLOR	LV	TYPE	F
1	RESERVE3				
2	RESERVE3				
3	RESERVE3				
4	RESERVE3				

ELM 50 54.25.0303 CONN. TO PRIMARY REC. AMPLIFIER P50

PNT	SIGNAL NAME	COLOR	LV	TYPE	F
1	+ 0.0	0		AX	
2	+ 5.6	3		AX	
3	+VREC	2		AX	
4	-VREC	6		AX	

ELM 51 54.25.0303 CONN. TO SYNC RECORD AMPLIFIER P51

PNT	SIGNAL NAME	COLOR	LV	TYPE	F
1	+ 0.0	0		AX	
2	+ 5.6	3		AX	
3	+VREC	2		AX	
4	-VREC	6		AX	

GRP 35 1.862.744.00
 <-- <-- <-- CONTINUATION

ELM 56 54.25.0302 TO STABILIZER +5.6 P56

PNT	SIGNAL NAME	COLOR	LV	TYPE	F
1	OSTABIN	0		AX	
2	+STABIN3	2		AX	

ELM 57 54.25.0304 TO SP. MOTOR DRIVE AMPL. LEFT P57

PNT	SIGNAL NAME	COLOR	LV	TYPE	F
1	+ 0.0	0		AX	
2	OSTABIN	0		AX	
3					
4	+STABIN1	2		AX	

ELM 58 54.25.0308 FROM POWER SUPPLY P58

PNT	SIGNAL NAME	COLOR	LV	TYPE	F
1	+STABIN1	2		AX	
2	OSTABIN	0		AX	
3	+STABIN2	2		AX	
4	OSTABIN	0		AX	
5	+STABIN3	2		AX	
6	OSTABIN	0		AX	
7	T-PHON	5		AX	
8					

ELM 59 54.25.0310 CONN. TO BASIS BOARD TAPE DECK P59

PNT	SIGNAL NAME	COLOR	LV	TYPE	F
1	+ 5.6	3		AX	
2	TD-C76K	8		AX	
3	+ 0.0	0		AX	
4	+ 0.0	0		AX	
5	+15.0	2		AX	
6	+26.0	1		AX	
7	-15.0	6		AX	
8	-26.0	8		AX	
9	T-PHON	5		AX	
10	+24.0	7		AX	

GRP 35 1.862.744.00
 <-- <-- <-- CONTINUATION

ELM 60 54.25.0306 TO BASIS BOARD TAPE DECK P60

PNT	SIGNAL NAME	COLOR	LV	TYPE	F
1	+STABIN1	2		AX	
2	OSTABIN	0		AX	
3	+STABIN2	2		AX	
4	OSTABIN	0		AX	
5	+STABIN3	2		AX	
6	OSTABIN	0		AX	

ELM 61 54.25.0302 TO BASIS BOARD AUDIO CONTROL P61

PNT	SIGNAL NAME	COLOR	LV	TYPE	F
1	+STABIN3	2		AX	
2	OSTABIN	0		AX	

ELM 62 TO CHASSIS GROUND J04

PNT	SIGNAL NAME	COLOR	LV	TYPE	F
1	GND	0		J	

ELM 63 54.25.0305 TO BASIS BOARD EQUALIZER P63

PNT	SIGNAL NAME	COLOR	LV	TYPE	F
1	+ 5.6	3		AX	
2	+ 0.0	0		AX	
3	+15.0	2		AX	
4	+ 0.0	0		AX	
5	-15.0	6		AX	

ELM 64 54.25.0305 TO PREAMPLIFIER SUPPLY P64

PNT	SIGNAL NAME	COLOR	LV	TYPE	F
1	+ 5.6	3		AX	
2	+ 0.0	0		AX	
3	+15.0	2		AX	
4	+ 0.0	0		AX	
5	-15.0	6		AX	

 * STUDER REVOX AG * L O C A T I O N P I N L I S T * 91/02/19 * 11:24 * PAGE 95 *

 * 1.862.010.00 D820-48 PCM TAPE - RECORDER * 90/03/21 - 00 *

 ASY 1 1.862.100.00 TAPE DECK PCM - MCH <-- <-- <-- CONTINUATION

GRP 35 1.862.744.00
 <-- <-- <-- CONTINUATION

ELM 65 TO CAPSTAN MOTOR AMPLIFIER P65
 PNT SIGNAL NAME COLOR LV TYPE F
 1 OSTABIN 0 M
 2
 3
 4
 5
 6 +STABIN1 2 M

ELM 66 FROM PREAMPLIFIER SUPPLY P66
 PNT SIGNAL NAME COLOR LV TYPE F
 1 + 5.6 3 AX
 2 + 0.0 0 AX
 3 +12.0 2 AX
 4 -12.0 6 AX

ELM 67 TO PREAMPLIFIER P67
 PNT SIGNAL NAME COLOR LV TYPE F
 1 + 5.6 3 AX
 2 + 0.0 0 AX
 3 +12.0 2 AX
 4 -12.0 6 AX

ELM 68 TO PREAMPLIFIER P68
 PNT SIGNAL NAME COLOR LV TYPE F
 1 +24.0 2 AX
 2 +12.0 6 AX

ELM 69 TO PREAMPLIFIER P69
 PNT SIGNAL NAME COLOR LV TYPE F
 1 +12.0 2 AX
 2 + 0.0 6 AX

GRP 36 1.820.192.00
 SPOOLING MOTOR ASSEMBLY, LEFT

ELM 1 TACHO SENSOR P..
 PNT SIGNAL NAME COLOR LV TYPE F
 1 + 0.0
 2 + 0.0
 3 + 5.6
 4 + 5.6
 5 +15.0
 6 -15.0
 7 AN-RES1
 8 TD-TML2
 9 TD-TML1
 10

ELM 2 FROM GRP29, ELM 04 P02
 PNT SIGNAL NAME COLOR LV TYPE F
 1 +VMOT 2 AX
 2 -VMOT 0 AX

GRP 37 1.820.192.00
 SPOOLING MOTOR ASSEMBLY, RIGHT

ELM 1 TACHO SENSOR P01
 PNT SIGNAL NAME COLOR LV TYPE F
 1 + 0.0
 2 + 0.0
 3 + 5.6
 4 + 5.6
 5 +15.0
 6 -15.0
 7 AN-RES2
 8 TD-TMR2
 9 TD-TMR1
 10

ELM 2 FROM GRP29, ELM 02 P02
 PNT SIGNAL NAME COLOR LV TYPE F
 1 +VMOT 2 AX
 2 -VMOT 0 AX

 * STUDER REVOX AG * L O C A T I O N P I N L I S T * 91/02/19 * 11:24 * PAGE 96 *

 * 1.862.010.00 D820-48 PCM TAPE - RECORDER * 90/03/21 - 00 *

 ASY 1 1.862.100.00 TAPE DECK PCM - MCH <-- <-- <-- CONTINUATION

GRP 38 1.021.695.00
 CAPSTAN MOTOR (ELECTRONICS BOARD)

ELM 1 FROM GRP39, ELM02 J01
 PNT SIGNAL NAME COLOR LV TYPE F
 1 CPHASE-R 2 F
 2 CPHASE-T 9 F
 3 CPHASE-S 0 F
 4 TC-HALL1 F
 5
 6 +15.0 F
 7 TC-HALL2 F
 8 TD-TCM1 F
 9 + 5V F
 10 TC-HALL3 F
 11 TD-TCM2 F
 12 + 0.0 F

ELM 2 TACHO SENSOR UNIT (WIRE FIELD)
 PNT SIGNAL NAME COLOR LV TYPE F
 1 3 U
 2 4 U
 3 5 U
 4 6 U

ELM 3 HALL SENSOR BOARD (WIRE FIELD)
 PNT SIGNAL NAME COLOR LV TYPE F
 1 0 U
 2 2 U
 3 3 U
 4 4 U
 5 5 U
 6 6 U
 7 7 U
 8 8 U

GRP 38 1.021.695.00
 <-- <-- <-- CONTINUATION

ELM 4 STATOR (WIRE FIELD)
 PNT SIGNAL NAME COLOR LV TYPE F
 1 CPHASE-R 2 L
 2 CPHASE-S 0 L
 3 CPHASE-T 9 L

ELM 5 GROUND CONNECTION (WIRE FIELD)
 PNT SIGNAL NAME COLOR LV TYPE F
 1 GND 0 L

GRP 39 1.820.774.00
 CAPSTAN MOTOR DRIVE AMPLIFIER

ELM 1 FROM GRP20, ELM56 (BASIS B. TD) P01
 PNT SIGNAL NAME COLOR LV TYPE F
 1 + 0.0
 2 + 0.0
 3 + 5.6
 4 + 5.6
 5 +15.0
 6 -15.0
 7 AN-CSPDC
 8 TD-TCM1
 9 + 0.0
 10 TD-TCM2
 11 T-SPDSL1
 12 T-SPDSL2
 13 TC-CPREF
 14 TC-CAPDC
 15 TD-C76K
 16 + 0.0

ELM 2 TO GRP38, ELM01 (CAPSTAN MOTOR) P02
 PNT SIGNAL NAME COLOR LV TYPE F
 1 CPHASE-R M
 2 CPHASE-T M
 3 CPHASE-S M
 4 TC-HALL1 M
 5 -15.0 M
 6 +15.0 M
 7 TC-HALL2 M
 8 TD-TCM1 M
 9 + 5V M
 10 TC-HALL3 M
 11 TD-TCM2 M
 12 + 0.0 M

STUDER D820 MCH

 * STUDER REVOX AG * L O C A T I O N P I N L I S T * 91/02/19 * 11:24 * P A G E 97 *

 * 1.862.010.00 D820-48 PCM TAPE - RECORDER * 90/03/21 - 00 *

 ASY 1 1.862.100.00 TAPE DECK PCM - MCH <-- <-- <-- CONTINUATION

GRP 39 1.820.774.00
 <-- <-- <-- CONTINUATION

GRP 40 1.080.230.00
 BRAKE ASSEMBLY, LEFT

GRP 41 1.080.240.00
 BRAKE ASSEMBLY, RIGHT

ELM 3
 FROM GRP20, ELM71 (BASIS B. TD) P03

PNT	SIGNAL NAME	COLOR	LV TYPE	F
1	OSTABIN		M	
2				
3				
4				
5				
6	+STABINI		M	

ELM 1
 BRAKE SOLENOID

PNT	SIGNAL NAME	COLOR	LV TYPE	F
1	+24.0	7	M	
2	K-BRAKEL	1	M	
3				

ELM 1
 BRAKE SOLENOID

PNT	SIGNAL NAME	COLOR	LV TYPE	F
1	+24.0	7	M	
2	K-BRAKER	4	M	
3				

 * STUDER REVOX AG * L O C A T I O N P I N L I S T * 91/02/19 * 11:24 * P A G E 98 *

 * 1.862.010.00 D820-48 PCM TAPE - RECORDER * 90/03/21 - 00 *

 ASY 1 1.862.100.00 TAPE DECK PCM - MCH <-- <-- <-- CONTINUATION

GRP 42 1.820.772.00
 TAPE TENSION SENSOR, LEFT

GRP 43 1.820.772.00
 TAPE TENSION SENSOR, LEFT

GRP 44 1.820.793.00
 OPTO + EXTENDED SENSORS

ELM 1
 FROM GRP20, ELM65 (BASIS B. TD) P01

PNT	SIGNAL NAME	COLOR	LV TYPE	F
1	+ 0.0			
2	+ 0.0			
3	+ 5.6			
4	+ 5.6			
5	+15.0			
6	-15.0			
7				
8				
9	AN-TTL			
10				

ELM 1
 FROM GRP20, ELM64 (BASIS B. TD) P01

PNT	SIGNAL NAME	COLOR	LV TYPE	F
1	+ 0.0			
2	+ 0.0			
3	+ 5.6			
4	+ 5.6			
5	+15.0			
6	-15.0			
7				
8				
9	AN-TTR			
10				

ELM 1
 FROM GRP20, ELM57 P01

PNT	SIGNAL NAME	COLOR	LV TYPE	F
1	+ 0.0			
2	+ 0.0			
3	+ 5.6			
4	+ 5.6			
5	+15.0			
6	-15.0			
7	TD-YTRSP			
8	TD-SHLD			
9	TD-TRSP			
10	TD-TRSPR			

 * STUDER REVOX AG * L O C A T I O N P I N L I S T * 91/02/19 * 11:24 * P A G E 99 *

 * 1.862.010.00 D820-48 PCM TAPE - RECORDER * 90/03/21 - 00 *

 ASY 1 1.862.100.00 TAPE DECK PCM - MCH <-- <-- <-- CONTINUATION

GRP 45 1.820.770.00
 MOVE SENSOR

GRP 46 1.820.773.00
 TAPE LIFTER CONTROL, LEFT

GRP 47 1.820.773.00
 TAPE LIFTER CONTROL, RIGHT

ELM 1
 FROM GRP20, ELM61 P01

PNT	SIGNAL NAME	COLOR	LV TYPE	F
1	+ 0.0			
2	+ 0.0			
3	+ 5.6			
4	+ 5.6			
5	+15.0			
6	-15.0			
7	AN-RES3			
8	TD-MOVE2			
9	TD-MOVE1			
10				

ELM 1
 FROM GRP20, ELM59 P01

PNT	SIGNAL NAME	COLOR	LV TYPE	F
1	+ 0.0			
2	+ 0.0			
3	+ 5.6			
4	+ 5.6			
5	+26.0			
6	-26.0			
7				
8				
9				
10				
11	TD-RALP1			
12	TD-RALC2			
13	TD-RALP2			
14	TD-RALC1			
15	TD-RALEN			
16				

ELM 1
 FROM GRP20, ELM58 (BASIS B. TD) P01

PNT	SIGNAL NAME	COLOR	LV TYPE	F
1	+ 0.0			
2	+ 0.0			
3	+ 5.6			
4	+ 5.6			
5	+26.0			
6	-26.0			
7				
8				
9				
10				
11	TD-RARP1			
12	TD-RARC2			
13	TD-RARP2			
14	TD-RARC1			
15	TD-RAREN			
16				

 * STUDER REVOX AG * L O C A T I O N P I N L I S T * 91/02/19 * 11:24 * P A G E 100 *

 * 1.862.010.00 D820-48 PCM TAPE - RECORDER * 90/03/21 - 00 *

 ASY 1 1.862.100.00 TAPE DECK PCM - MCH <-- <-- <-- CONTINUATION

GRP 48 1.820.240.00
 PUSHBUTTON ASSEMBLY
 =====

GRP 48 1.820.240.00
 <-- <-- <-- CONTINUATION
 =====

GRP 49 1.820.250.00
 EDIT ASSEMBLY
 =====

ELM 1
 FROM GRP50, ELM03 (DISPLAY DRIVER)

 PNT SIGNAL NAME COLOR LV TYPE F

 1 + 0.0
 2 + 0.0
 3 + 5.6
 4 + 5.6
 5 +24.0L
 6 BM-0.2
 7 BM-0.3
 8 BM-0.4
 9 BM-0.5
 10 BM-0.6
 11 BM-0.7
 12 TM-ENO
 13 TM-RL7
 14 TM-RL6
 15 TM-RL5
 16 TM-RL4
 17 TM-RL3
 18 TM-RL2
 19 TM-RL1
 20 TM-CUE1
 21
 22 TM-CUE2
 23
 24 ANM-SH3
 25 ANM-SH2
 26 ANM-SH1

ELM 3
 WIRE FIELD

 PNT SIGNAL NAME COLOR LV TYPE F

 1 +24.0L
 2 +24.0L
 3 BM-0.7
 4 BM-0.6
 5 BM-0.5
 6 BM-0.4
 7 BM-0.3
 8 BM-0.2
 9
 10

ELM 1
 FROM GRP48, ELM02 (PUSHBUTTON BOARD)

 PNT SIGNAL NAME COLOR LV TYPE F

 1 + 0.0
 2 + 0.0
 3 + 5.0
 4 TM-ENO
 5 TM-CUE1
 6 TM-RL1
 7 TM-CUE2
 8 ANM-SH1
 9 ANM-SH3
 10 ANM-SH2

ELM 2
 WIRE FIELD

 PNT SIGNAL NAME COLOR LV TYPE F

 1 + 5.0
 2 TM-ENO
 3
 4 TM-RL1
 5 + 0.0

ELM 2
 CONNECTOR EDIT ASSEMBLY

 PNT SIGNAL NAME COLOR LV TYPE F

 1 + 0.0
 2 + 0.0
 3 + 5.0
 4 TM-ENO
 5 TM-CUE1
 6 TM-RL1
 7 TM-CUE2
 8 ANM-SH1
 9 ANM-SH3
 10 ANM-SH2

 * STUDER REVOX AG * L O C A T I O N P I N L I S T * 91/02/19 * 11:24 * P A G E 101 *

 * 1.862.010.00 D820-48 PCM TAPE - RECORDER * 90/03/21 - 00 *

 ASY 1 1.862.100.00 TAPE DECK PCM - MCH <-- <-- <-- CONTINUATION

GRP 50 1.820.768.00
 TAPE DECK DISPLAY DRIVER
 =====

GRP 50 1.820.768.00
 <-- <-- <-- CONTINUATION
 =====

GRP 51 1.820.767.00
 COMMAND UNIT
 =====

ELM 1 1.820.768.00 P01
 DISPLAY DRIVER

 PNT SIGNAL NAME COLOR LV TYPE F

 1 + 0.0
 2 + 0.0
 3 + 5.6
 4 + 5.6
 5 +24.0
 6 +24.0
 7 PI-DSL4
 8 PI-ISL4
 9 PI-DRES
 10 PI-IRES
 11 PI-DRM
 12 PI-IRM
 13 PI-DENB
 14 PI-IENB
 15 PI-DADR2
 16 PI-IADR2
 17 PI-DADR1
 18 PI-IADR1
 19 PI-DADRO
 20 PI-IADRO
 21 TM-SHIR
 22 0.0 VCU
 23 TM-KBIR
 24 0.0 VCU
 25 PI-DATA7
 26 0.0 VCU
 27 PI-DATA6
 28 0.0 VCU
 29 PI-DATA5
 30 0.0 VCU
 31 PI-DATA4
 32 0.0 VCU
 33 PI-DATA3
 34 0.0 VCU
 35 PI-DATA2
 36 0.0 VCU
 37 PI-DATA1
 38 0.0 VCU
 39 PI-DATA0
 40 0.0 VCU

ELM 1A 1.820.768.00 P01
 CIRCUIT DIAGRAM SIGNAL NAMES

 PNT SIGNAL NAME COLOR LV TYPE F

 1 + 0.0
 2 + 0.0
 3 + 5.6
 4 + 5.6
 5 +24.0
 6 +24.0
 7 TM-DSL4
 8 TM-ISL4
 9 TM-DRES
 10 TM-IRES
 11 TM-DRM
 12 TM-IRM
 13 TM-DENB
 14 TM-IENB
 15 TM-DADR2
 16 TM-IADR2
 17 TM-DADR1
 18 TM-IADR1
 19 TM-DADRO
 20 TM-IADRO
 21 TM-SHIR
 22 0.0 VCU
 23 TM-KBIR
 24 0.0 VCU
 25 TM-DATA7
 26 0.0 VCU
 27 TM-DATA6
 28 0.0 VCU
 29 TM-DATA5
 30 0.0 VCU
 31 TM-DATA4
 32 0.0 VCU
 33 TM-DATA3
 34 0.0 VCU
 35 TM-DATA2
 36 0.0 VCU
 37 TM-DATA1
 38 0.0 VCU
 39 TM-DATA0
 40 0.0 VCU

ELM 1
 FROM GRP50, ELM02 (DISPLAY DRIVER)

 PNT SIGNAL NAME COLOR LV TYPE F

 1 + 0.0
 2 + 0.0
 3 + 5.6
 4 + 5.6
 5
 6 TM-EN4
 7 TM-EN3
 8 TM-EN2
 9 TM-EN1
 10 TM-RL6
 11 TM-RL7
 12 TM-RL0
 13 TM-RL1
 14 TM-RL2
 15 TM-RL3
 16 TM-RL4
 17 TM-RL5
 18 TM-B
 19 TM-DP
 20 TM-A
 21 TM-C
 22 TM-D
 23 TM-F
 24 TM-E
 25 TM-G
 26 TM-D9
 27 TM-D8
 28 TM-D7
 29 TM-D6
 30 TM-D5
 31 TM-D4
 32 TM-D3
 33 TM-D2
 34 TM-D1
 35 TM-D0
 36 TM-L2
 37 TM-L1
 38 TM-L3
 39 TM-L4
 40 TM-L5

STUDER D820 MCH

```
*****
*   STUDER REVOX AG *   L O C A T I O N   P I N N   L I S T   * 91/02/19 * 11:24 * P A G E 102 *
*****
*   1.862.010.00 D820-48 PCM TAPE - RECORDER * 90/03/21 - 00 *
*****
ASY 1 1.862.100.00 TAPE DECK PCM - MCH <-- <-- <-- CONTINUATION
```

```
GRP 52 1.820.239.00
LCD DISPLAY BOARD
=====
```

```
ELM 1
FROM GRP50, ELM04 (DISPLAY DRIVER)
```

PNT	SIGNAL NAME	COLOR	LV	TYPE	F
1	+ 0.0				
2	+ 5.0				
3	TL-CS				
4	TL-ENB				
5	TL-WR				
6	TL-A0				
7	TL-D0				
8	TL-D1				
9	TL-D2				
10	TL-D3				
11	TL-D4				
12	TL-D5				
13	TL-D6				
14	TL-D7				
15	TL-RESET				
16	+ 0.0				

```
GRP 59 1.820.866.00
FUSE/SUPPLY FAILURE DETECTOR
=====
```

```
ELM 1
FROM GRP20, ELM63 (BASIS B. TD) P01
```

PNT	SIGNAL NAME	COLOR	LV	TYPE	F
1	+STABIN3				
2	+STABIN3				
3					
4	+24.0				
5	+STABIN2				
6	T-SUPVON				
7	+STABIN1				
8	+STABIN1				
9	+ 5.6				
10	+ 5.6				
11	+ 0.0				
12	+ 0.0				
13	-15.0				
14	+15.0				
15	+26.0				
16	-26.0				

```
GRP 60 1.820.831.00
PINCH ROLLER GATE
=====
```

```
ELM 1
FROM GR. 20 ELM 58 P01
```

PNT	SIGNAL NAME	COLOR	LV	TYPE	F
1	+ 0.0				
2	+ 0.0				
3	+ 5.6				
4	+ 5.6				
5	+26.0				
6	-26.0				
7					
8					
9					
10					
11	TD-RARP1				
12	TD-RARC2				
13	TD-RARP2				
14	TD-RARC1				
15	TD-RAREN				
16					

```
ELM 2
FROM GR. 20 ELM 61 P02
```

PNT	SIGNAL NAME	COLOR	LV	TYPE	F
1	+ 0.0				
2	+ 0.0				
3	+ 5.6				
4	+ 5.6				
5	+15.0				
6	-15.0				
7	AN-RES3				
8	TD-MOVE2				
9	TD-MOVE1				
10					

```
*****
*   STUDER REVOX AG *   L O C A T I O N   P I N N   L I S T   * 91/02/19 * 11:24 * P A G E 103 *
*****
*   1.862.010.00 D820-48 PCM TAPE - RECORDER * 90/03/21 - 00 *
*****
ASY 1 1.862.100.00 TAPE DECK PCM - MCH <-- <-- <-- CONTINUATION
```

```
GRP 60 1.820.831.00
<-- <-- <-- CONTINUATION
=====
```

```
ELM 3
FROM GR. 20 ELM 60 P03
```

PNT	SIGNAL NAME	COLOR	LV	TYPE	F
1	+ 0.0				
2	+ 0.0				
3	+ 5.6				
4	+ 5.6				
5	+15.0				
6	-15.0				
7	AN-RES2				
8	TD-TMR2				
9	TD-TMR1				
10					

```
ELM 4
FROM GR. 20 ELM 62 P04
```

PNT	SIGNAL NAME	COLOR	LV	TYPE	F
1	+ 0.0				
2	+ 0.0				
3	+ 5.6				
4	+ 5.6				
5	+15.0				
6	-15.0				
7	AN-RES1				
8	TD-TML2				
9	TD-TML1				
10					

```
GRP 60 1.820.831.00
<-- <-- <-- CONTINUATION
=====
```

```
ELM 5
TO TAPE LIFT MOTOR, RIGHT P05
```

PNT	SIGNAL NAME	COLOR	LV	TYPE	F
1	+ 0.0				
2	+ 0.0				
3	+ 5.6				
4	+ 5.6				
5	+26.0				
6	-26.0				
7					
8					
9					
10					
11	TD-RARP1				
12	TD-RARC2				
13	TD-RARP2				
14	TD-RARC1				
15	TD-RAREN				
16					

```
ELM 6
TO MOVE SENSOR P06
```

PNT	SIGNAL NAME	COLOR	LV	TYPE	F
1	+ 0.0				
2	+ 0.0				
3	+ 5.6				
4	+ 5.6				
5	+15.0				
6	-15.0				
7	AN-RES3				
8	TD-MOVE2				
9	TD-MOVE1				
10					

```
GRP 60 1.820.831.00
<-- <-- <-- CONTINUATION
=====
```

```
ELM 7
TO TACHO SENSOR SP. MOTOR RIGHT P07
```

PNT	SIGNAL NAME	COLOR	LV	TYPE	F
1	+ 0.0				
2	+ 0.0				
3	+ 5.6				
4	+ 5.6				
5	+15.0				
6	-15.0				
7	AN-RES2				
8	TD-TMR2				
9	TD-TMR1				
10					

```
ELM 8
TO TACHO SENSOR SP. MOTOR LEFT P08
```

PNT	SIGNAL NAME	COLOR	LV	TYPE	F
1	+ 0.0				
2	+ 0.0				
3	+ 5.6				
4	+ 5.6				
5	+15.0				
6	-15.0				
7	AN-RES1				
8	TD-TML2				
9	TD-TML1				
10					

 * STUDER REVOX AG * L O C A T I O N P I N L I S T * 91/02/19 * 11:24 * P A G E 104 *

 * 1.862.010.00 D820-48 PCM TAPE - RECORDER * 90/03/21 - 00 *

 ASY 1 1.862.100.00 TAPE DECK PCM - MCH <-- <-- <-- CONTINUATION

GRP 69 1.862.560.00
 FAN UNIT PCM BOX
 =====

ELM 1
 FAN UNIT

 PNT SIGNAL NAME COLOR LV TYPE F

 1 +15.0 2
 2 + 0.0 0

GRP 73
 FAN + MECH. ELAPSED TIMER UNIT
 =====

ELM 1
 JUNCTION

 PNT SIGNAL NAME COLOR LV TYPE F

 1A +FANTD 7
 1B +24.0 2
 2C -FANTD 6
 2D +TIMER 2
 3A -TIMER 6
 3B OC-RES4 0

GRP 74
 FAN UNIT EQUALIZER
 =====

ELM 1
 CONNECTION FAN

 PNT SIGNAL NAME COLOR LV TYPE F

 1A + 0.0 0
 2A -15.0 6

ELM 2
 TIMER

 PNT SIGNAL NAME COLOR LV TYPE F

 1 +TIMER
 2 -TIMER

ELM 3
 FAN TD.

 PNT SIGNAL NAME COLOR LV TYPE F

 * STUDER REVOX AG * L O C A T I O N P I N L I S T * 91/02/19 * 11:24 * P A G E 105 *

 * 1.862.010.00 D820-48 PCM TAPE - RECORDER * 90/03/21 - 00 *

 ASY 2 1.050.401.00 HEAD BLOCK ASSEMBLY, 48 CH / 24 CH

GRP 1 1.050.494.00
 ERASE HEAD AUX TRACKS 48 CH
 =====

ELM 1
 ERASE HEAD CONNECTOR P01

 PNT SIGNAL NAME COLOR LV TYPE F

 1
 2 ERH-C1 A
 3 ERH-C2 A
 4 ERH-RT A
 5 ERH-TC A
 6 ERL-C1 A
 7 ERL-C2 A
 8 ERL-RT A
 9 ERL-TC A

ELM 2
 ERASE HEAD

 PNT SIGNAL NAME COLOR LV TYPE F

 1 ERH-C1
 2 ERL-C1
 3 ERH-TC
 4 ERL-TC
 5 ERH-RT
 6 ERL-RT
 7 ERH-C2
 8 ERL-C2
 9

GRP 2 1.050.490.00
 RECORD HEAD PRIMARY RECORD 48 CH
 =====

ELM 1
 RECORD HEAD CONNECTOR 1 (48 CH) P02

 PNT SIGNAL NAME COLOR LV TYPE F

 1 RECL-31
 2 RECH-31
 3 RECL-06
 4 RECH-06
 5 RECL-30
 6 RECH-30
 7 RECL-05
 8 RECH-05
 9 RECL-29
 10 RECH-29
 11 RECL-05
 12 RECH-04
 13 RECL-28
 14 RECH-28
 15 RECL-03
 16 RECH-03
 17 RECL-27
 18 RECH-27
 19 RECL-02
 20 RECH-02
 21 RECL-26
 22 RECH-26
 23 RECL-01
 24 RECH-01
 25 RECL-25
 26 RECH-25
 27
 28
 29 RECL-C1
 30 RECH-C1
 31 RECH-07
 32 RECL-07
 33 RECH-32
 34 RECL-32
 35 RECH-08
 36 RECL-08
 37 RECH-33
 38 RECL-33
 39 RECH-09
 40 RECL-09
 41 RECH-34
 42 RECL-34
 43 RECH-10
 44 RECL-10
 45 RECH-35
 46 RECL-35
 47 RECH-11

GRP 2 1.050.490.00
 <-- <-- <-- CONTINUATION
 =====

ELM 1
 <-- <-- <-- CONTINUATION

 PNT SIGNAL NAME COLOR LV TYPE F

 48 RECL-11
 49 RECH-36
 50 RECL-36
 51 RECH-12
 52 RECL-12
 53 RECH-TC
 54 RECL-TC
 55
 56
 57
 58
 59
 60

STUDER D820 MCH

```
*****
*   STUDER REVOX AG   *   L O C A T I O N   P I N   L I S T   *   91/02/19 * 11:24 * P A G E 106 *
*****
*   1.862.010.00   D820-48   PCM TAPE - RECORDER   *   90/03/21 - 00   *
*****
ASY 2   1.050.401.00   HEAD BLOCK ASSEMBLY, 48 CH / 24 CH   <-- <-- <-- CONTINUATION
```

```
GRP 2   1.050.490.00
<-- <-- <-- CONTINUATION
=====
```

```
ELM 2
RECORD HEAD CONNECTOR 2 (48 CH) P03
```

PNT	SIGNAL NAME	COLOR	LV	TYPE	F
1					
2					
3	RECL-C2				
4	RECH-C2				
5					
6					
7	RECL-48				
8	RECH-48				
9	RECL-24				
10	RECH-24				
11	RECL-47				
12	RECH-47				
13	RECL-23				
14	RECH-23				
15	RECL-46				
16	RECH-46				
17	RECL-22				
18	RECH-22				
19	RECL-45				
20	RECH-45				
21	RECL-21				
22	RECH-21				
23	RECL-44				
24	RECH-44				
25	RECL-20				
26	RECH-20				
27	RECL-43				
28	RECH-43				
29	RECL-19				
30	RECH-19				
31					
32					
33					
34					
35	RECH-RT				
36	RECL-RT				
37	RECH-13				
38	RECL-13				
39	RECH-37				
40	RECL-37				
41	RECH-14				
42	RECL-14				
43	RECH-38				
44	RECL-38				
45	RECH-15				
46	RECL-15				
47	RECH-39				

```
GRP 2   1.050.490.00
<-- <-- <-- CONTINUATION
=====
```

```
ELM 2
<-- <-- <-- CONTINUATION
```

PNT	SIGNAL NAME	COLOR	LV	TYPE	F
48	RECL-39				
49	RECH-16				
50	RECL-16				
51	RECH-40				
52	RECL-40				
53	RECH-17				
54	RECL-17				
55	RECH-41				
56	RECL-41				
57	RECH-18				
58	RECL-18				
59	RECH-42				
60	RECL-42				

```
GRP 3   1.050.491.00
REPRODUCE HEAD 48 CH
=====
```

```
ELM 1
REPRO HEAD CONNECTOR 1 (48 CH) P04
```

PNT	SIGNAL NAME	COLOR	LV	TYPE	F
1	REPL-31				
2	REPH-31				
3	REPL-06				
4	REPH-06				
5	REPL-30				
6	REPH-30				
7	REPL-05				
8	REPH-05				
9	REPL-29				
10	REPH-29				
11	REPL-04				
12	REPH-04				
13	REPL-28				
14	REPH-28				
15	REPL-03				
16	REPH-03				
17	REPL-27				
18	REPH-27				
19	REPL-02				
20	REPH-02				
21	REPL-26				
22	REPH-26				
23	REPL-01				
24	REPH-01				
25	REPL-25				
26	REPH-25				
27					
28					
29	REPL-C1				
30	REPH-C1				
31	REPH-07				
32	REPL-07				
33	REPH-32				
34	REPL-32				
35	REPH-08				
36	REPL-08				
37	REPH-33				
38	REPL-33				
39	REPH-09				
40	REPL-09				
41	REPH-34				
42	REPL-34				
43	REPH-10				
44	REPL-10				
45	REPH-35				
46	REPL-35				
47	REPH-11				

 * STUDER REVOX AG * L O C A T I O N P I N L I S T * 91/02/19 * 11:24 * P A G E 107 *

 * 1.862.010.00 D820-48 PCM TAPE - RECORDER * 90/03/21 - 00 *

 ASY 2 1.050.401.00 HEAD BLOCK ASSEMBLY, 48 CH / 24 CH <-- <-- <-- CONTINUATION

GRP 3 1.050.491.00
 <-- <-- <-- CONTINUATION
 =====

ELM 1 <-- <-- <-- CONTINUATION

PNT SIGNAL NAME COLOR LV TYPE F

48 REPL-11
 49 REPH-36
 50 REPL-36
 51 REPH-12
 52 REPL-12
 53 REPH-TC
 54 REPL-TC
 55
 56
 57
 58
 59
 60

./.

GRP 3 1.050.491.00
 <-- <-- <-- CONTINUATION
 =====

ELM 2 REPRO HEAD CONNECTOR 2 (48 CH) P05

PNT SIGNAL NAME COLOR LV TYPE F

1
 2
 3 REPL-C2
 4 REPH-C2
 5
 6
 7 REPL-48
 8 REPH-48
 9 REPL-24
 10 REPH-24
 11 REPL-47
 12 REPH-47
 13 REPL-23
 14 REPH-23
 15 REPL-46
 16 REPH-46
 17 REPL-22
 18 REPH-22
 19 REPL-45
 20 REPH-45
 21 REPL-21
 22 REPH-21
 23 REPL-44
 24 REPH-44
 25 REPL-20
 26 REPH-20
 27 REPL-43
 28 REPH-43
 29 REPL-19
 30 REPH-19
 31
 32
 33
 34
 35 REPH-RT
 36 REPL-RT
 37 REPH-13
 38 REPL-13
 39 REPH-37
 40 REPL-37
 41 REPH-14
 42 REPL-14
 43 REPH-38
 44 REPL-38
 45 REPH-15
 46 REPL-15
 47 REPH-39

GRP 3 1.050.491.00
 <-- <-- <-- CONTINUATION
 =====

ELM 2 <-- <-- <-- CONTINUATION

PNT SIGNAL NAME COLOR LV TYPE F

48 REPL-39
 49 REPH-16
 50 REPL-16
 51 REPH-40
 52 REPL-40
 53 REPH-17
 54 REPL-17
 55 REPH-41
 56 REPL-41
 57 REPH-18
 58 REPL-18
 59 REPH-42
 60 REPL-42

STUDER D820 MCH

```
*****
* STUDER REVOX AG * L O C A T I O N P I N L I S T * 91/02/19 * 11:24 * P A G E 108 *
*****
* 1.862.010.00 D820-48 PCM TAPE - RECORDER * 90/03/21 - 00 *
*****
ASY 2 1.050.401.00 HEAD BLOCK ASSEMBLY, 48 CH / 24 CH <-- <-- <-- CONTINUATION
```

```
GRP 4 1.050.490.00
RECORD HEAD SYNC RECORD 48 CH
=====
ELM 1
RECORD HEAD CONNECTOR 1 (48 CH) P06
-----
PNT SIGNAL NAME COLOR LV TYPE F
-----
1 RECL-31
2 RECH-31
3 RECL-06
4 RECH-06
5 RECL-30
6 RECH-30
7 RECL-05
8 RECH-05
9 RECL-29
10 RECH-29
11 RECL-05
12 RECH-04
13 RECL-28
14 RECH-28
15 RECL-03
16 RECH-03
17 RECL-27
18 RECH-27
19 RECL-02
20 RECH-02
21 RECL-26
22 RECH-26
23 RECL-01
24 RECH-01
25 RECL-25
26 RECH-25
27
28
29 RECL-C1
30 RECH-C1
31 RECH-07
32 RECL-07
33 RECH-32
34 RECL-32
35 RECH-08
36 RECL-08
37 RECH-33
38 RECL-33
39 RECH-09
40 RECL-09
41 RECH-34
42 RECL-34
43 RECH-10
44 RECL-10
45 RECH-35
46 RECL-35
47 RECH-11
./.
```

```
GRP 4 1.050.490.00
<-- <-- <-- CONTINUATION
=====
ELM 1
<-- <-- <-- CONTINUATION
-----
PNT SIGNAL NAME COLOR LV TYPE F
-----
48 RECL-11
49 RECH-36
50 RECL-36
51 RECH-12
52 RECL-12
53 RECH-TC
54 RECL-TC
55
56
57
58
59
60
-----
./.
```

```
GRP 4 1.050.490.00
<-- <-- <-- CONTINUATION
=====
ELM 2
RECORD HEAD CONNECTOR 2 (48 CH) P07
-----
PNT SIGNAL NAME COLOR LV TYPE F
-----
1
2
3 RECL-C2
4 RECH-C2
5
6
7 RECL-48
8 RECH-48
9 RECL-24
10 RECH-24
11 RECL-47
12 RECH-47
13 RECL-23
14 RECH-23
15 RECL-46
16 RECH-46
17 RECL-22
18 RECH-22
19 RECL-45
20 RECH-45
21 RECL-21
22 RECH-21
23 RECL-44
24 RECH-44
25 RECL-20
26 RECH-20
27 RECL-43
28 RECH-43
29 RECL-19
30 RECH-19
31
32
33
34
35 RECH-RT
36 RECL-RT
37 RECH-13
38 RECL-13
39 RECH-37
40 RECL-37
41 RECH-14
42 RECL-14
43 RECH-38
44 RECL-38
45 RECH-15
46 RECL-15
47 RECH-39
./.
```

```
*****
* STUDER REVOX AG * L O C A T I O N P I N L I S T * 91/02/19 * 11:24 * P A G E 109 *
*****
* 1.862.010.00 D820-48 PCM TAPE - RECORDER * 90/03/21 - 00 *
*****
ASY 2 1.050.401.00 HEAD BLOCK ASSEMBLY, 48 CH / 24 CH <-- <-- <-- CONTINUATION
```

```
GRP 4 1.050.490.00
<-- <-- <-- CONTINUATION
=====
ELM 2
<-- <-- <-- CONTINUATION
-----
PNT SIGNAL NAME COLOR LV TYPE F
-----
48 RECL-39
49 RECH-16
50 RECL-16
51 RECH-40
52 RECL-40
53 RECH-17
54 RECL-17
55 RECH-41
56 RECL-41
57 RECH-18
58 RECL-18
59 RECH-42
60 RECL-42
-----
./.
```

```
GRP 11 1.050.494.00
ERASE HEAD AUX TRACKS 24 CH
=====
ELM 1
ERASE HEAD CONNECTOR P01
-----
PNT SIGNAL NAME COLOR LV TYPE F
-----
1 ERH-C1 A
2 ERH-C2 A
3 ERH-RT A
4 ERH-TC A
5 ERL-C1 A
6 ERL-C2 A
7 ERL-RT A
8 ERL-TC A
9
-----
ELM 2
ERASE HEAD
-----
PNT SIGNAL NAME COLOR LV TYPE F
-----
1 ERH-C1
2 ERL-C1
3 ERH-TC
4 ERL-TC
5 ERH-RT
6 ERL-RT
7 ERH-C2
8 ERL-C2
9
-----
./.
```

```
GRP 12 1.050.492.00
RECORD HEAD PRIMARY RECORD 24 CH
=====
ELM 1
RECORD HEAD CONNECTOR 1 (24 CH) P02
-----
PNT SIGNAL NAME COLOR LV TYPE F
-----
1 RECH-C1
2 RECL-TC
3 RECL-C1
4 RECH-TC
5
6
7
8
9
10
11 RECH-01
12 RECL-12
13 RECL-01
14 RECH-12
15 RECH-02
16 RECL-11
17 RECL-02
18 RECH-11
19 RECH-03
20 RECL-10
21 RECL-03
22 RECH-10
23 RECH-04
24 RECL-09
25 RECL-04
26 RECH-09
27 RECH-05
28 RECL-08
29 RECL-05
30 RECH-08
31 RECH-06
32 RECL-07
33 RECL-06
34 RECH-07
-----
./.
```

 * STUDER REVOX AG * L O C A T I O N P I N N L I S T * 91/02/19 * 11:24 * P A G E 110 *
 * 1.862.010.00 D820-48 PCM TAPE - RECORDER * 90/03/21 - 00 *
 ASY 2 1.050.401.00 HEAD BLOCK ASSEMBLY, 48 CH / 24 CH <-- <-- <-- CONTINUATION

GRP 12 1.050.492.00
 <-- <-- <-- CONTINUATION
 =====

ELM 2
 RECORD HEAD CONNECTOR 2 (24 CH) P03

PNT	SIGNAL NAME	COLOR	LV	TYPE	F
1	RECH-19				
2	RECL-18				
3	RECL-19				
4	RECH-18				
5	RECH-20				
6	RECL-17				
7	RECL-20				
8	RECH-17				
9	RECH-21				
10	RECL-16				
11	RECL-21				
12	RECH-16				
13	RECH-22				
14	RECL-15				
15	RECL-22				
16	RECH-15				
17	RECH-23				
18	RECL-14				
19	RECL-23				
20	RECH-14				
21	RECH-24				
22	RECL-13				
23	RECL-24				
24	RECH-13				
25					
26					
27					
28					
29					
30					
31	RECH-C2				
32	RECL-RT				
33	RECL-C2				
34	RECH-RT				

GRP 13 1.050.493.00
 REPRODUCE HEAD 24 CH
 =====

ELM 1
 REPRO HEAD CONNECTOR 1 (24 CH) P04

PNT	SIGNAL NAME	COLOR	LV	TYPE	F
1	REPH-C1				
2	REPL-TC				
3	REPL-C1				
4	REPH-TC				
5					
6					
7					
8					
9					
10					
11	REPH-01				
12	REPL-12				
13	REPL-01				
14	REPH-12				
15	REPH-02				
16	REPL-11				
17	REPL-02				
18	REPH-11				
19	REPH-03				
20	REPL-10				
21	REPL-03				
22	REPH-10				
23	REPH-04				
24	REPL-09				
25	REPL-04				
26	REPH-09				
27	REPH-05				
28	REPL-08				
29	REPL-05				
30	REPH-08				
31	REPH-06				
32	REPL-07				
33	REPL-06				
34	REPH-07				

GRP 13 1.050.493.00
 <-- <-- <-- CONTINUATION
 =====

ELM 2
 REPRO HEAD CONNECTOR 2 (24 CH) P05

PNT	SIGNAL NAME	COLOR	LV	TYPE	F
1	REPH-19				
2	REPL-18				
3	REPL-19				
4	REPH-18				
5	REPH-20				
6	REPL-17				
7	REPL-20				
8	REPH-17				
9	REPH-21				
10	REPL-16				
11	REPL-21				
12	REPH-16				
13	REPH-22				
14	REPL-15				
15	REPL-22				
16	REPH-15				
17	REPH-23				
18	REPL-14				
19	REPL-23				
20	REPH-14				
21	REPH-24				
22	REPL-13				
23	REPL-24				
24	REPH-13				
25					
26					
27					
28					
29					
30					
31	REPH-C2				
32	REPL-RT				
33	REPL-C2				
34	REPH-RT				

 * STUDER REVOX AG * L O C A T I O N P I N N L I S T * 91/02/19 * 11:24 * P A G E 111 *
 * 1.862.010.00 D820-48 PCM TAPE - RECORDER * 90/03/21 - 00 *
 ASY 2 1.050.401.00 HEAD BLOCK ASSEMBLY, 48 CH / 24 CH <-- <-- <-- CONTINUATION

GRP 14 1.050.492.00
 RECORD HEAD SYNC RECORD 24 CH
 =====

ELM 1
 RECORD HEAD CONNECTOR 1 (24 CH) P06

PNT	SIGNAL NAME	COLOR	LV	TYPE	F
1	RECH-C1				
2	RECL-TC				
3	RECL-C1				
4	RECH-TC				
5					
6					
7					
8					
9					
10					
11	RECH-01				
12	RECL-12				
13	RECL-01				
14	RECH-12				
15	RECH-02				
16	RECL-11				
17	RECL-02				
18	RECH-11				
19	RECH-03				
20	RECL-10				
21	RECL-03				
22	RECH-10				
23	RECH-04				
24	RECL-09				
25	RECL-04				
26	RECH-09				
27	RECH-05				
28	RECL-08				
29	RECL-05				
30	RECH-08				
31	RECH-06				
32	RECL-07				
33	RECL-06				
34	RECH-07				

GRP 14 1.050.492.00
 <-- <-- <-- CONTINUATION
 =====

ELM 2
 RECORD HEAD CONNECTOR 2 (24 CH) P07

PNT	SIGNAL NAME	COLOR	LV	TYPE	F
1	RECH-19				
2	RECL-18				
3	RECL-19				
4	RECH-18				
5	RECH-20				
6	RECL-17				
7	RECL-20				
8	RECH-17				
9	RECH-21				
10	RECL-16				
11	RECL-21				
12	RECH-16				
13	RECH-22				
14	RECL-15				
15	RECL-22				
16	RECH-15				
17	RECH-23				
18	RECL-14				
19	RECL-23				
20	RECH-14				
21	RECH-24				
22	RECL-13				
23	RECL-24				
24	RECH-13				
25					
26					
27					
28					
29					
30					
31	RECH-C2				
32	RECL-RT				
33	RECL-C2				
34	RECH-RT				

STUDER D820 MCH

```
*****
*   STUDER REVOX AG *   L O C A T I O N   P I N   L I S T   * 91/02/19 * 11:24 * PAGE 112 *
*****
*   1.862.010.00 D820-48 PCM TAPE - RECORDER * 90/03/21 - 00 *
*****
ASY 3A 1.862.611.00 BACKPANEL AS1: A-GR.1 + S-GR.1
```

GRP 1
AUDIO GROUP 1
=====

ELM 11A 1.862.652.00
P01 MAPRO A-GR1 (CH 01-08)

PNT	SIGNAL NAME	COLOR	LV	TYPE	F
1A	GND				
2A	GND				
3A	MA-1D14				
4A	MA-1D12				
5A	MA-1D10				
6A	MA-1D08				
7A	MA-1D06				
8A	MA-1D04				
9A	MA-1D02				
10A	MA-1D00				
11A	MA-1WR				
12A					
13A					
14A					
15A					
16A					
17A					
18A					
19A					
20A	GND				
21A	MA-CH01				
22A	MA-CH02				
23A	MA-CH03				
24A	MA-CH04				
25A	MA-CH05				
26A	MA-CH06				
27A	MA-CH07				
28A	MA-CH08				
29A	-18 V				
30A	+18 V				
31A	+ 5 V 3A				
32A	+ 5 V 3A				

./.

GRP 1

<-- <-- <-- CONTINUATION
=====

ELM 11B 1.862.652.00
P01 MAPRO A-GR1 (CH 01-08)

PNT	SIGNAL NAME	COLOR	LV	TYPE	F
1B	GND				
2B	GND				
3B					
4B					
5B					
6B					
7B					
8B					
9B					
10B					
11B					
12B					
13B					
14B					
15B					
16B					
17B					
18B					
19B					
20B	GND				
21B					
22B					
23B					
24B					
25B					
26B					
27B					
28B					
29B	-18 V				
30B	+18 V				
31B	+ 5 V 3A				
32B	+ 5 V 3A				

./.

GRP 1

<-- <-- <-- CONTINUATION
=====

ELM 11C 1.862.652.00
P01 MAPRO A-GR1 (CH 01-08)

PNT	SIGNAL NAME	COLOR	LV	TYPE	F
1C	GND				
2C	GND				
3C	MA-1D15				
4C	MA-1D13				
5C	MA-1D11				
6C	MA-1D09				
7C	MA-1D07				
8C	MA-1D05				
9C	MA-1D03				
10C	MA-1D01				
11C	MA-1RD				
12C	MA-1DA12				
13C	MA-1DA13				
14C	MA-1DA14				
15C	MA-1DA15				
16C	MA-1DA16				
17C	MA-1DA17				
18C	MA-1DA18				
19C	MA-1DA19				
20C	GND				
21C	MA-ICH01				
22C	MA-ICH02				
23C	MA-ICH03				
24C	MA-ICH04				
25C	MA-ICH05				
26C	MA-ICH06				
27C	MA-ICH07				
28C	MA-ICH08				
29C	-18 V				
30C	+18 V				
31C	+ 5 V 3A				
32C	+ 5 V 3A				

./.

```
*****
*   STUDER REVOX AG *   L O C A T I O N   P I N   L I S T   * 91/02/19 * 11:24 * PAGE 113 *
*****
*   1.862.010.00 D820-48 PCM TAPE - RECORDER * 90/03/21 - 00 *
*****
ASY 3A 1.862.611.00 BACKPANEL AS1: A-GR.1 + S-GR.1
```

GRP 1

<-- <-- <-- CONTINUATION
=====

ELM 12A 1.862.652.00
P02 MAPRO A-GR1 (CH 01-08)

PNT	SIGNAL NAME	COLOR	LV	TYPE	F
1A	GND				
2A	GND				
3A	TA-CH01				
4A	TA-CH02				
5A	TA-CH03				
6A	TA-CH04				
7A	TA-CH05				
8A	TA-CH06				
9A	TA-CH07				
10A	TA-CH08				
11A					
12A					
13A					
14A	PI-SCLK				
15A	PI-STPH				
16A	PI-SDAT				
17A	PI-SVAL				
18A	RT-BPH0				
19A	RT-BPH1				
20A					
21A	RT-CTLJP				
22A	CK-CHNR0				
23A	CK-CHNR1				
24A	CK-CHNR2				
25A					
26A	CK-DFCK1				
27A	CK-MCK1				
28A	CK-DMCK1				
29A	-18 V				
30A	+18 V				
31A	+ 5 V 3A				
32A	+ 5 V 3A				

./.

GRP 1

<-- <-- <-- CONTINUATION
=====

ELM 12B 1.862.652.00
P02 MAPRO A-GR1 (CH 01-08)

PNT	SIGNAL NAME	COLOR	LV	TYPE	F
1B	GND				
2B	GND				
3B					
4B					
5B					
6B					
7B					
8B					
9B					
10B					
11B					
12B					
13B					
14B					
15B					
16B					
17B					
18B					
19B					
20B					
21B					
22B					
23B					
24B					
25B					
26B					
27B					
28B					
29B	-18 V				
30B	+18 V				
31B	+ 5 V 3A				
32B	+ 5 V 3A				

./.

GRP 1

<-- <-- <-- CONTINUATION
=====

ELM 12C 1.862.652.00
P02 MAPRO A-GR1 (CH 01-08)

PNT	SIGNAL NAME	COLOR	LV	TYPE	F
1C	GND				
2C	GND				
3C	TA-ICH01				
4C	TA-ICH02				
5C	TA-ICH03				
6C	TA-ICH04				
7C	TA-ICH05				
8C	TA-ICH06				
9C	TA-ICH07				
10C	TA-ICH08				
11C					
12C					
13C					
14C	PI-ISCLK				
15C	PI-ISTPH				
16C	PI-ISDAT				
17C	PI-ISVAL				
18C	RT-BLAD0				
19C	RT-BLAD1				
20C					
21C	CP-RESET				
22C	CK-BSYNC				
23C	CK-BSYNC				
24C	CK-SSYNC				
25C					
26C	CKIDFCK1				
27C	CK-IMCK1				
28C	CKIDMCK1				
29C	-18 V				
30C	+18 V				
31C	+ 5 V 3A				
32C	+ 5 V 3A				

./.

 * STUDER REVOX AG * L O C A T I O N P I N L I S T * 91/02/19 * 11:24 * P A G E 114 *

 * 1.862.010.00 D820-48 PCM TAPE - RECORDER * 90/03/21 - 00 *

 ASY 3A 1.862.611.00 BACKPANEL AS1: A-GR.1 + S-GR.1 <-- <-- <-- CONTINUATION

GRP 1 <-- <-- <-- CONTINUATION
 =====
 ELM 21A 1.862.651.00
 P01 DA A-GR1 (CH 01-08)

 PNT SIGNAL NAME COLOR LV TYPE F

 1A GND
 2A GND
 3A MA-1D14
 4A MA-1D12
 5A MA-1D10
 6A MA-1D08
 7A MA-1D06
 8A MA-1D04
 9A MA-1D02
 10A MA-1D00
 11A MA-1WR
 12A MA-1DA12
 13A MA-1DA13
 14A MA-1DA14
 15A MA-1DA15
 16A MA-1DA16
 17A MA-1DA17
 18A MA-1DA18
 19A MA-1DA19
 20A GND
 21A DA-OUT04
 22A GND
 23A DA-OUT08
 24A GND
 25A DA-OUT07
 26A GND
 27A DA-OUT03
 28A GND
 29A -18 V
 30A +18 V
 31A + 5 V 3A
 32A + 5 V 3A

 ./.

GRP 1 <-- <-- <-- CONTINUATION
 =====
 ELM 21B 1.862.651.00
 P01 DA A-GR1 (CH 01-08)

 PNT SIGNAL NAME COLOR LV TYPE F

 1B GND
 2B GND
 3B
 4B
 5B
 6B
 7B
 8B
 9B
 10B
 11B
 12B
 13B
 14B
 15B
 16B
 17B
 18B
 19B
 20B GND
 21B GND
 22B GND
 23B GND
 24B GND
 25B GND
 26B GND
 27B GND
 28B GND
 29B -18 V
 30B +18 V
 31B + 5 V 3A
 32B + 5 V 3A

 ./.

GRP 1 <-- <-- <-- CONTINUATION
 =====
 ELM 21C 1.862.651.00
 P01 DA A-GR1 (CH 01-08)

 PNT SIGNAL NAME COLOR LV TYPE F

 1C GND
 2C GND
 3C MA-1D15
 4C MA-1D13
 5C MA-1D11
 6C MA-1D09
 7C MA-1D07
 8C MA-1D05
 9C MA-1D03
 10C MA-1D01
 11C MA-1RD
 12C IO-1DA12
 13C IO-1DA13
 14C IO-1DA14
 15C IO-1DA15
 16C IO1CLKR1
 17C IO-1LD2
 18C IO1DATR1
 19C IO-1BD1
 20C GND
 21C DAIOUT04
 22C GND
 23C DAIOUT08
 24C GND
 25C DAIOUT07
 26C GND
 27C DAIOUT03
 28C GND
 29C -18 V
 30C +18 V
 31C + 5 V 3A
 32C + 5 V 3A

 ./.

 * STUDER REVOX AG * L O C A T I O N P I N L I S T * 91/02/19 * 11:24 * P A G E 115 *

 * 1.862.010.00 D820-48 PCM TAPE - RECORDER * 90/03/21 - 00 *

 ASY 3A 1.862.611.00 BACKPANEL AS1: A-GR.1 + S-GR.1 <-- <-- <-- CONTINUATION

GRP 1 <-- <-- <-- CONTINUATION
 =====
 ELM 22A 1.862.651.00
 P02 DA A-GR1 (CH 01-08)

 PNT SIGNAL NAME COLOR LV TYPE F

 1A GND
 2A GND
 3A DA-OUT02
 4A GND
 5A DA-OUT06
 6A GND
 7A DA-OUT05
 8A GND
 9A DA-OUT01
 10A GND
 11A
 12A
 13A
 14A GND
 15A GND
 16A GND
 17A GND
 18A GND
 19A GND
 20A
 21A GND
 22A CK-CHNR0
 23A CK-CHNR1
 24A CK-CHNR2
 25A
 26A CK-DFCK1
 27A CK-MCK1
 28A CK-DMCK1
 29A -18 V
 30A +18 V
 31A + 5 V 3A
 32A + 5 V 3A

 ./.

GRP 1 <-- <-- <-- CONTINUATION
 =====
 ELM 22B 1.862.651.00
 P02 DA A-GR1 (CH 01-08)

 PNT SIGNAL NAME COLOR LV TYPE F

 1B GND
 2B GND
 3B GND
 4B GND
 5B GND
 6B GND
 7B GND
 8B GND
 9B GND
 10B GND
 11B
 12B
 13B
 14B
 15B
 16B
 17B
 18B
 19B
 20B
 21B
 22B
 23B
 24B
 25B
 26B
 27B
 28B
 29B -18 V
 30B +18 V
 31B + 5 V 3A
 32B + 5 V 3A

 ./.

GRP 1 <-- <-- <-- CONTINUATION
 =====
 ELM 22C 1.862.651.00
 P02 DA A-GR1 (CH 01-08)

 PNT SIGNAL NAME COLOR LV TYPE F

 1C GND
 2C GND
 3C DAIOUT02
 4C GND
 5C DAIOUT06
 6C GND
 7C DAIOUT05
 8C GND
 9C DAIOUT01
 10C GND
 11C
 12C
 13C
 14C GND
 15C GND
 16C GND
 17C GND
 18C GND
 19C GND
 20C
 21C CP-RESET
 22C CK-MSYNC
 23C GND
 24C GND
 25C
 26C CKIDFCK1
 27C CK-IMCK1
 28C CKIDMCK1
 29C -18 V
 30C +18 V
 31C + 5 V 3A
 32C + 5 V 3A

 ./.

STUDER D820 MCH

```
*****
* STUDER REVOX AG * L O C A T I O N P I N L I S T * 91/02/19 * 11:24 * P A G E 116 *
*****
* 1.862.010.00 D820-48 PCM TAPE - RECORDER * 90/03/21 - 00 *
*****
ASY 3A 1.862.611.00 BACKPANEL ASI: A-GR.1 + S-GR.1 <-- <-- <-- CONTINUATION
```

```
GRP 1 <-- <-- <-- CONTINUATION
=====
ELM 31A 1.862.653.00
PO1 IO A-GR1 (CH 01-08)
-----
PNT SIGNAL NAME COLOR LV TYPE F
-----
1A GND
2A GND
3A MA-1D14
4A MA-1D12
5A MA-1D10
6A MA-1D08
7A MA-1D06
8A MA-1D04
9A MA-1D02
10A MA-1D00
11A MA-1D00
12A IO-1DA12
13A IO-1DA13
14A IO-1DA14
15A IO-1DA15
16A IO1CLKR1
17A IO-11D2
18A IO1DATR1
19A IO-1BD1
20A GND
21A
22A PP-DAT11
23A PP-DAT10
24A
25A
26A IO-DAT11
27A IO-DAT10
28A
29A -18 V
30A +18 V
31A + 5 V 3A
32A + 5 V 3A
-----
./.
```

```
GRP 1 <-- <-- <-- CONTINUATION
=====
ELM 31B 1.862.653.00
PO1 IO A-GR1 (CH 01-08)
-----
PNT SIGNAL NAME COLOR LV TYPE F
-----
1B GND
2B GND
3B
4B
5B
6B
7B
8B
9B
10B
11B
12B
13B
14B
15B
16B
17B
18B
19B
20B GND
21B
22B
23B
24B
25B
26B
27B
28B
29B -18 V
30B +18 V
31B + 5 V 3A
32B + 5 V 3A
-----
./.
```

```
GRP 1 <-- <-- <-- CONTINUATION
=====
ELM 31C 1.862.653.00
PO1 IO A-GR1 (CH 01-08)
-----
PNT SIGNAL NAME COLOR LV TYPE F
-----
1C GND
2C GND
3C MA-1D15
4C MA-1D13
5C MA-1D11
6C MA-1D09
7C MA-1D07
8C MA-1D05
9C MA-1D03
10C MA-1D01
11C MA-1RD
12C IO-11OAD
13C IO-1CLKT
14C IO-1ACK
15C AD-1DATT
16C IO1CLKR2
17C IO-11D1
18C IO1DATR2
19C IO-1BD2
20C GND
21C
22C PPIDAT11
23C PPIDAT10
24C
25C
26C IOIDAT11
27C IOIDAT10
28C
29C -18 V
30C +18 V
31C + 5 V 3A
32C + 5 V 3A
-----
./.
```

```
*****
* STUDER REVOX AG * L O C A T I O N P I N L I S T * 91/02/19 * 11:24 * P A G E 117 *
*****
* 1.862.010.00 D820-48 PCM TAPE - RECORDER * 90/03/21 - 00 *
*****
ASY 3A 1.862.611.00 BACKPANEL ASI: A-GR.1 + S-GR.1 <-- <-- <-- CONTINUATION
```

```
GRP 1 <-- <-- <-- CONTINUATION
=====
ELM 32A 1.862.653.00
PO2 IO A-GR1 (CH 01-08)
-----
PNT SIGNAL NAME COLOR LV TYPE F
-----
1A GND
2A GND
3A
4A
5A
6A
7A
8A
9A
10A
11A
12A
13A
14A PI-SCLK
15A PI-STPH
16A PI-SDAT
17A PI-SVAL
18A RT-BPH0
19A RT-BPH1
20A
21A RT-CTLJP
22A CK-CHNR0
23A CK-CHNR1
24A CK-CHNR2
25A
26A CK-DFCK1
27A CK-MCK1
28A CK-DMCK1
29A -18 V
30A +18 V
31A + 5 V 3A
32A + 5 V 3A
-----
./.
```

```
GRP 1 <-- <-- <-- CONTINUATION
=====
ELM 32B 1.862.653.00
PO2 IO A-GR1 (CH 01-08)
-----
PNT SIGNAL NAME COLOR LV TYPE F
-----
1B GND
2B GND
3B
4B
5B
6B
7B
8B
9B
10B
11B
12B
13B
14B
15B
16B
17B
18B
19B
20B
21B
22B
23B
24B
25B
26B
27B
28B
29B -18 V
30B +18 V
31B + 5 V 3A
32B + 5 V 3A
-----
./.
```

```
GRP 1 <-- <-- <-- CONTINUATION
=====
ELM 32C 1.862.653.00
PO2 IO A-GR1 (CH 01-08)
-----
PNT SIGNAL NAME COLOR LV TYPE F
-----
1C GND
2C GND
3C
4C
5C
6C
7C
8C
9C
10C
11C
12C
13C
14C PI-ISCLK
15C PI-ISTPH
16C PI-ISDAT
17C PI-ISVAL
18C RT-BLAD0
19C RT-BLAD1
20C
21C CP-RESET
22C CK-HSYNC
23C CK-BSYNC
24C CK-SSYNC
25C
26C CKIDFCK1
27C CK-IMCK1
28C CKIDMCK1
29C -18 V
30C +18 V
31C + 5 V 3A
32C + 5 V 3A
-----
./.
```

 * STUDER REVOX AG * L O C A T I O N P I N L I S T * 91/02/19 * 11:24 * P A G E 118 *

 * 1.862.010.00 D820-48 PCM TAPE - RECORDER * 90/03/21 - 00 *

 ASY 3A 1.862.611.00 BACKPANEL ASI: A-GR.1 + S-GR.1 <-- <-- <-- CONTINUATION

GRP 1 <-- <-- <-- CONTINUATION
 =====
 ELM 41A 1.862.650.00
 P01 AD A-GR1 (CH 01-08)

 PNT SIGNAL NAME COLOR LV TYPE F

 1A GND
 2A GND
 3A MA-1D14
 4A MA-1D12
 5A MA-1D10
 6A MA-1D08
 7A MA-1D06
 8A MA-1D04
 9A MA-1D02
 10A MA-1D00
 11A MA-1WR
 12A IO-1I0AD
 13A IO-1CLKT
 14A IO-1ACK
 15A AD-1DATT
 16A IO1CLKR2
 17A IO-1LD1
 18A IO1DATR2
 19A IO-1BD2
 20A GND
 21A CO-AIN08
 22A GND
 23A CO-AIN07
 24A GND
 25A CO-AIN06
 26A GND
 27A CO-AIN05
 28A GND
 29A -18 V
 30A +18 V
 31A + 5 V 3A
 32A + 5 V 3A

 ./.

GRP 1 <-- <-- <-- CONTINUATION
 =====
 ELM 41B 1.862.650.00
 P01 AD A-GR1 (CH 01-08)

 PNT SIGNAL NAME COLOR LV TYPE F

 1B GND
 2B GND
 3B
 4B
 5B
 6B
 7B
 8B
 9B
 10B
 11B
 12B
 13B
 14B
 15B
 16B
 17B
 18B
 19B
 20B GND
 21B GND
 22B GND
 23B GND
 24B GND
 25B GND
 26B GND
 27B GND
 28B GND
 29B -18 V
 30B +18 V
 31B + 5 V 3A
 32B + 5 V 3A

 ./.

GRP 1 <-- <-- <-- CONTINUATION
 =====
 ELM 41C 1.862.650.00
 P01 AD A-GR1 (CH 01-08)

 PNT SIGNAL NAME COLOR LV TYPE F

 1C GND
 2C GND
 3C MA-1D15
 4C MA-1D13
 5C MA-1D11
 6C MA-1D09
 7C MA-1D07
 8C MA-1D05
 9C MA-1D03
 10C MA-1D01
 11C MA-1RD
 12C
 13C
 14C
 15C
 16C
 17C
 18C
 19C
 20C GND
 21C COIAIN08
 22C GND
 23C COIAIN07
 24C GND
 25C COIAIN06
 26C GND
 27C COIAIN05
 28C GND
 29C -18 V
 30C +18 V
 31C + 5 V 3A
 32C + 5 V 3A

 ./.

 * STUDER REVOX AG * L O C A T I O N P I N L I S T * 91/02/19 * 11:24 * P A G E 119 *

 * 1.862.010.00 D820-48 PCM TAPE - RECORDER * 90/03/21 - 00 *

 ASY 3A 1.862.611.00 BACKPANEL ASI: A-GR.1 + S-GR.1 <-- <-- <-- CONTINUATION

GRP 1 <-- <-- <-- CONTINUATION
 =====
 ELM 42A 1.862.650.00
 P02 AD A-GR1 (CH 01-08)

 PNT SIGNAL NAME COLOR LV TYPE F

 1A GND
 2A GND
 3A CO-AIN04
 4A GND
 5A CO-AIN03
 6A GND
 7A CO-AIN02
 8A GND
 9A CO-AIN01
 10A GND
 11A
 12A
 13A
 14A GND
 15A GND
 16A GND
 17A GND
 18A GND
 19A GND
 20A
 21A GND
 22A CK-CHNR0
 23A CK-CHNR1
 24A CK-CHNR2
 25A
 26A CK-DFCK1
 27A CK-MCK1
 28A CK-DMCK1
 29A -18 V
 30A +18 V
 31A + 5 V 3A
 32A + 5 V 3A

 ./.

GRP 1 <-- <-- <-- CONTINUATION
 =====
 ELM 42B 1.862.650.00
 P02 AD A-GR1 (CH 01-08)

 PNT SIGNAL NAME COLOR LV TYPE F

 1B GND
 2B GND
 3B GND
 4B GND
 5B GND
 6B GND
 7B GND
 8B GND
 9B GND
 10B GND
 11B
 12B
 13B
 14B
 15B
 16B
 17B
 18B
 19B
 20B
 21B
 22B
 23B
 24B
 25B
 26B
 27B
 28B
 29B -18 V
 30B +18 V
 31B + 5 V 3A
 32B + 5 V 3A

 ./.

GRP 1 <-- <-- <-- CONTINUATION
 =====
 ELM 42C 1.862.650.00
 P02 AD A-GR1 (CH 01-08)

 PNT SIGNAL NAME COLOR LV TYPE F

 1C GND
 2C GND
 3C COIAIN04
 4C GND
 5C COIAIN03
 6C GND
 7C COIAIN02
 8C GND
 9C COIAIN01
 10C GND
 11C
 12C
 13C
 14C GND
 15C GND
 16C GND
 17C GND
 18C GND
 19C GND
 20C
 21C CP-RESET
 22C CK-WSYNC
 23C GND
 24C GND
 25C
 26C CKIDFCK1
 27C CK-IMCK1
 28C CKIDMCK1
 29C -18 V
 30C +18 V
 31C + 5 V 3A
 32C + 5 V 3A

 ./.

STUDER D820 MCH

```
*****
* STUDER REVOX AG * L O C A T I O N P I N L I S T * 91/02/19 * 11:24 * P A G E 120 *
*****
* 1.862.010.00 D820-48 PCM TAPE - RECORDER * 90/03/21 - 00 *
*****
ASY 3A 1.862.611.00 BACKPANEL AS1: A-GR.1 + S-GR.1 <-- <-- <-- CONTINUATION
```

```
GRP 1S
SPECIAL GROUP 1
=====
ELM 11A 1.862.661.00
PO1 CUE MODEM
-----
PNT SIGNAL NAME COLOR LV TYPE F
1A GND
2A GND
3A
4A GND
5A CO-CUE1
6A GND
7A CO-CUE2
8A GND
9A CU-OUT1
10A GND
11A CU-OUT2
12A GND
13A AA-CUE10
14A AA-CUE1B
15A AA-CUE2A
16A GND
17A CU-PHONL
18A CU-PHONR
19A CU-PHONO
20A GND
21A
22A
23A CU-CUE1
24A CU-CUE2
25A
26A
27A
28A
29A -18 V
30A +18 V
31A + 5 V 3A
32A + 5 V 3A
-----
./.
```

```
GRP 1S <-- <-- <-- CONTINUATION
=====
ELM 11B 1.862.661.00
PO1 CUE MODEM
-----
PNT SIGNAL NAME COLOR LV TYPE F
1B GND
2B GND
3B
4B GND
5B GND
6B GND
7B GND
8B GND
9B GND
10B GND
11B GND
12B GND
13B GND
14B GND
15B GND
16B GND
17B GND
18B GND
19B GND
20B GND
21B
22B
23B
24B
25B
26B
27B
28B
29B -18 V
30B +18 V
31B + 5 V 3A
32B + 5 V 3A
-----
./.
```

```
GRP 1S <-- <-- <-- CONTINUATION
=====
ELM 11C 1.862.661.00
PO1 CUE MODEM
-----
PNT SIGNAL NAME COLOR LV TYPE F
1C GND
2C GND
3C
4C GND
5C CO-ICUE1
6C GND
7C CO-ICUE2
8C GND
9C CU-IOUT1
10C GND
11C CU-IOUT2
12C GND
13C AA-CUE1A
14C AA-CUE2O
15C AA-CUE2B
16C
17C
18C
19C
20C GND
21C
22C
23C CU-ICUE1
24C CU-ICUE2
25C
26C
27C
28C
29C -18 V
30C +18 V
31C + 5 V 3A
32C + 5 V 3A
-----
./.
```

```
*****
* STUDER REVOX AG * L O C A T I O N P I N L I S T * 91/02/19 * 11:24 * P A G E 121 *
*****
* 1.862.010.00 D820-48 PCM TAPE - RECORDER * 90/03/21 - 00 *
*****
ASY 3A 1.862.611.00 BACKPANEL AS1: A-GR.1 + S-GR.1 <-- <-- <-- CONTINUATION
```

```
GRP 1S <-- <-- <-- CONTINUATION
=====
ELM 12A 1.862.661.00
PO2 CUE MODEM
-----
PNT SIGNAL NAME COLOR LV TYPE F
1A GND
2A GND
3A
4A
5A
6A
7A
8A
9A
10A
11A
12A
13A
14A PI-SCLK
15A PI-STPH
16A PI-SDAT
17A PI-SVAL
18A RT-BPH0
19A RT-BPH1
20A
21A RT-CTLJP
22A CK-CHNR0
23A CK-CHNR1
24A CK-CHNR2
25A
26A CK-DFCK1
27A CK-MCK1
28A CK-DHCK1
29A -18 V
30A +18 V
31A + 5 V 3A
32A + 5 V 3A
-----
./.
```

```
GRP 1S <-- <-- <-- CONTINUATION
=====
ELM 12B 1.862.661.00
PO2 CUE MODEM
-----
PNT SIGNAL NAME COLOR LV TYPE F
1B GND
2B GND
3B
4B
5B
6B
7B
8B
9B
10B
11B
12B
13B
14B
15B
16B
17B
18B
19B
20B
21B
22B
23B
24B
25B
26B
27B
28B
29B -18 V
30B +18 V
31B + 5 V 3A
32B + 5 V 3A
-----
./.
```

```
GRP 1S <-- <-- <-- CONTINUATION
=====
ELM 12C 1.862.661.00
PO2 CUE MODEM
-----
PNT SIGNAL NAME COLOR LV TYPE F
1C GND
2C GND
3C
4C
5C
6C
7C
8C
9C
10C
11C
12C
13C
14C PI-ISCLK
15C PI-ISTPH
16C PI-ISDAT
17C PI-ISVAL
18C RT-BLAD0
19C RT-BLAD1
20C
21C CP-RESET
22C CK-MSYNC
23C CK-BSYNC
24C CK-SSYNC
25C
26C CKIDFCK1
27C CK-IMCK1
28C CKIDMCK1
29C -18 V
30C +18 V
31C + 5 V 3A
32C + 5 V 3A
-----
./.
```

```
*****
* STUDER REVOX AG * L O C A T I O N P I N L I S T * 91/02/19 * 11:24 * P A G E 122 *
* 1.862.010.00 D820-48 PCM TAPE - RECORDER * 90/03/21 - 00 *
* ASY 3A 1.862.611.00 BACKPANEL AS1: A-GR.1 + S-GR.1 <-- <-- <-- CONTINUATION
```

```
GRP 1S <-- <-- <-- CONTINUATION
=====
ELM 21A 1.862.655.00
P01 CENTRAL PROCESSOR UNIT
-----
PNT SIGNAL NAME COLOR LV TYPE F
-----
1A GND
2A GND
3A
4A
5A
6A
7A
8A
9A
10A
11A
12A
13A
14A
15A VC-PUP5
16A VC-PUP6
17A
18A
19A
20A
21A
22A
23A
24A
25A
26A
27A
28A
29A -18 V
30A +18 V
31A + 5 V 3A
32A + 5 V 3A
-----
./.
```

```
GRP 1S <-- <-- <-- CONTINUATION
=====
ELM 21B 1.862.655.00
P01 CENTRAL PROCESSOR UNIT
-----
PNT SIGNAL NAME COLOR LV TYPE F
-----
1B GND
2B GND
3B
4B
5B
6B
7B
8B
9B
10B
11B
12B
13B
14B
15B VC-PUP3
16B VC-PUP4
17B
18B
19B
20B
21B
22B
23B
24B
25B
26B
27B
28B
29B -18 V
30B +18 V
31B + 5 V 3A
32B + 5 V 3A
-----
./.
```

```
GRP 1S <-- <-- <-- CONTINUATION
=====
ELM 21C 1.862.655.00
P01 CENTRAL PROCESSOR UNIT
-----
PNT SIGNAL NAME COLOR LV TYPE F
-----
1C GND
2C GND
3C
4C
5C
6C
7C
8C
9C
10C
11C
12C
13C
14C
15C VC-PUP1
16C VC-PUP2
17C T-PWRON
18C OSTABIN
19C
20C
21C
22C
23C
24C
25C
26C
27C
28C
29C -18 V
30C +18 V
31C + 5 V 3A
32C + 5 V 3A
-----
./.
```

```
*****
* STUDER REVOX AG * L O C A T I O N P I N L I S T * 91/02/19 * 11:24 * P A G E 123 *
* 1.862.010.00 D820-48 PCM TAPE - RECORDER * 90/03/21 - 00 *
* ASY 3A 1.862.611.00 BACKPANEL AS1: A-GR.1 + S-GR.1 <-- <-- <-- CONTINUATION
```

```
GRP 1S <-- <-- <-- CONTINUATION
=====
ELM 22A 1.862.655.00
P02 CENTRAL PROCESSOR UNIT
-----
PNT SIGNAL NAME COLOR LV TYPE F
-----
1A GND
2A GND
3A CP-FD0
4A CP-FD1
5A CP-FD2
6A CP-FD3
7A CP-FD4
8A CP-FD5
9A CP-FD6
10A CP-FD7
11A CP-FRD
12A CP-FINT
13A
14A PI-SCLK
15A PI-STPH
16A PI-SDAT
17A PI-SVAL
18A RT-BPH0
19A RT-BPH1
20A CP-EVIN
21A RT-CTLJP
22A CK-CHNR0
23A CK-CHNR1
24A CK-CHNR2
25A
26A CK-DFCK1
27A CK-MCK1
28A CK-DMCK1
29A -18 V
30A +18 V
31A + 5 V 3A
32A + 5 V 3A
-----
./.
```

```
GRP 1S <-- <-- <-- CONTINUATION
=====
ELM 22B 1.862.655.00
P02 CENTRAL PROCESSOR UNIT
-----
PNT SIGNAL NAME COLOR LV TYPE F
-----
1B GND
2B GND
3B
4B
5B
6B
7B
8B
9B
10B
11B
12B
13B
14B
15B
16B
17B
18B
19B
20B
21B
22B
23B
24B
25B
26B
27B
28B
29B -18 V
30B +18 V
31B + 5 V 3A
32B + 5 V 3A
-----
./.
```

```
GRP 1S <-- <-- <-- CONTINUATION
=====
ELM 22C 1.862.655.00
P02 CENTRAL PROCESSOR UNIT
-----
PNT SIGNAL NAME COLOR LV TYPE F
-----
1C GND
2C GND
3C CP-FAE
4C CP-FA1
5C CP-FA2
6C CP-FA3
7C CP-FA4
8C CP-FA5
9C CP-FA6
10C CP-FA7
11C CP-FWR
12C CP-FIACK
13C CP-FIED
14C PI-ISCLK
15C PI-ISTPH
16C PI-ISDAT
17C PI-ISVAL
18C RT-BLAD0
19C RT-BLAD1
20C CP-EVOUT
21C CP-RESET
22C CK-MSYNC
23C CK-BSYNC
24C CK-SSYNC
25C
26C CKIDFCK1
27C CK-IMCK1
28C CKIDMCK1
29C -18 V
30C +18 V
31C + 5 V 3A
32C + 5 V 3A
-----
./.
```

STUDER D820 MCH

```
*****
* STUDER REVOX AG * L O C A T I O N P I N L I S T * 91/02/19 * 11:24 * PAGE 124 *
*****
* 1.862.010.00 D820-48 PCM TAPE - RECORDER * 90/03/21 - 00 *
*****
ASY 3A 1.862.611.00 BACKPANEL AS1: A-GR.1 + S-GR.1 <-- <-- <-- CONTINUATION
```

```
GRP 1S <-- <-- <-- CONTINUATION
=====
ELM 31A 1.862.656.00
PO1 PERIPHERAL INTERFACE
-----
PNT SIGNAL NAME COLOR LV TYPE F
-----
1A GND
2A GND
3A PI-SL5
4A PI-SL4
5A PI-RES
6A PI-RM
7A PI-ENB
8A PI-ADR2
9A PI-ADR1
10A PI-ADRO
11A TM-SHIR
12A TM-KBIR
13A TM-REMIR
14A PI-DATA7
15A PI-DATA6
16A PI-DATA5
17A PI-DATA4
18A PI-DATA3
19A PI-DATA2
20A PI-DATA1
21A PI-DATA0
22A PI-RCLK
23A PI-IRCLK
24A PI-RTXD
25A PI-IRTXD
26A PI-RES3
27A PI-RES4
28A
29A -18 V
30A +18 V
31A + 5 V 3A
32A + 5 V 3A
-----
./.
```

```
GRP 1S <-- <-- <-- CONTINUATION
=====
ELM 31B 1.862.656.00
PO1 PERIPHERAL INTERFACE
-----
PNT SIGNAL NAME COLOR LV TYPE F
-----
1B GND
2B GND
3B PI-ISL5
4B PI-ISL4
5B PI-IRES
6B PI-IRM
7B PI-IENB
8B PI-IADR2
9B PI-IADR1
10B PI-IADRO
11B GND
12B GND
13B GND
14B GND
15B GND
16B GND
17B GND
18B GND
19B GND
20B GND
21B GND
22B PI-RRXD
23B PI-IRRXD
24B PI-RES1
25B PI-RES2
26B
27B
28B
29B -18 V
30B +18 V
31B + 5 V 3A
32B + 5 V 3A
-----
./.
```

```
GRP 1S <-- <-- <-- CONTINUATION
=====
ELM 31C 1.862.656.00
PO1 PERIPHERAL INTERFACE
-----
PNT SIGNAL NAME COLOR LV TYPE F
-----
1C GND
2C GND
3C TD-SCLK
4C TD-ISCLK
5C TD-SRX
6C TD-ISRX
7C TD-STX
8C TD-ISTX
9C TD-SOTR
10C TD-ISDTR
11C TD-SCTS
12C TD-ISCTS
13C PI-EBUFG
14C PI-EBUTC
15C PI-EBUTA
16C PI-EBUTB
17C PI-EBURB
18C PI-EBURA
19C PI-EBURC
20C PI-ECLK
21C PI-IECLK
22C PI-ETPH
23C PI-IETPH
24C PI-EDAT
25C PI-IEDAT
26C PI-EVAL
27C PI-IEVAL
28C
29C -18 V
30C +18 V
31C + 5 V 3A
32C + 5 V 3A
-----
./.
```

```
*****
* STUDER REVOX AG * L O C A T I O N P I N L I S T * 91/02/19 * 11:24 * PAGE 125 *
*****
* 1.862.010.00 D820-48 PCM TAPE - RECORDER * 90/03/21 - 00 *
*****
ASY 3A 1.862.611.00 BACKPANEL AS1: A-GR.1 + S-GR.1 <-- <-- <-- CONTINUATION
```

```
GRP 1S <-- <-- <-- CONTINUATION
=====
ELM 32A 1.862.656.00
PO2 PERIPHERAL INTERFACE
-----
PNT SIGNAL NAME COLOR LV TYPE F
-----
1A GND
2A GND
3A CP-FD0
4A CP-FD1
5A CP-FD2
6A CP-FD3
7A CP-FD4
8A CP-FD5
9A CP-FD6
10A CP-FD7
11A CP-FRD
12A CP-FINT
13A CP-FIEO
14A PI-SCLK
15A PI-STPH
16A PI-SDAT
17A PI-SVAL
18A RT-BPH0
19A RT-BPH1
20A CP-EVIN
21A RT-CTLJP
22A CK-CHNR0
23A CK-CHNR1
24A CK-CHNR2
25A
26A CK-DFCK1
27A CK-MCK1
28A CK-DMCK1
29A -18 V
30A +18 V
31A + 5 V 3A
32A + 5 V 3A
-----
./.
```

```
GRP 1S <-- <-- <-- CONTINUATION
=====
ELM 32B 1.862.656.00
PO2 PERIPHERAL INTERFACE
-----
PNT SIGNAL NAME COLOR LV TYPE F
-----
1B GND
2B GND
3B
4B
5B
6B
7B
8B
9B
10B
11B
12B
13B
14B
15B
16B
17B
18B
19B
20B
21B
22B
23B
24B
25B
26B
27B
28B
29B -18 V
30B +18 V
31B + 5 V 3A
32B + 5 V 3A
-----
./.
```

```
GRP 1S <-- <-- <-- CONTINUATION
=====
ELM 32C 1.862.656.00
PO2 PERIPHERAL INTERFACE
-----
PNT SIGNAL NAME COLOR LV TYPE F
-----
1C GND
2C GND
3C CP-FAE
4C CP-FA1
5C CP-FA2
6C CP-FA3
7C CP-FA4
8C CP-FA5
9C CP-FA6
10C CP-FA7
11C CP-FWR
12C CP-FIACK
13C PI-FIEO
14C PI-ISCLK
15C PI-ISTPH
16C PI-ISDAT
17C PI-ISVAL
18C RT-BLADO
19C RT-BLAD1
20C CP-EVOUT
21C CP-RESET
22C CK-MSYNC
23C CK-BSYNC
24C CK-SSYNC
25C
26C CKIDFCK1
27C CK-IMCK1
28C CKIDMCK1
29C -18 V
30C +18 V
31C + 5 V 3A
32C + 5 V 3A
-----
./.
```

 * STUDER REVOX AG * L O C A T I O N P I N L I S T * 91/02/19 * 11:24 * P A G E 126 *
 * 1.862.010.00 D820-48 PCH TAPE - RECORDER * 90/03/21 - 00 *
 * 1.862.611.00 BACKPANEL AS1: A-GR.1 + S-GR.1 *
 ASY 3A

GRP 1S <-- <-- <-- CONTINUATION
 =====
 ELM 41A 1.862.659.00
 P01 SYNCHRONIZER

 PNT SIGNAL NAME COLOR LV TYPE F

 1A GND
 2A GND
 3A
 4A
 5A TA-TC
 6A SS-TC
 7A CO-TREC
 8A CO-TFREC
 9A CO-TSTOP
 10A CO-TPLAY
 11A
 12A CO-TCIN
 13A SS-TCOUT
 14A
 15A
 16A
 17A
 18A
 19A
 20A GND
 21A
 22A
 23A
 24A SS-RFNT
 25A T-REFEX
 26A TD-MVCLK
 27A TD-MVDIR
 28A
 29A -18 V
 30A +18 V
 31A + 5 V 3A
 32A + 5 V 3A

 ./.

GRP 1S <-- <-- <-- CONTINUATION
 =====
 ELM 41B 1.862.659.00
 P01 SYNCHRONIZER

 PNT SIGNAL NAME COLOR LV TYPE F

 1B GND
 2B GND
 3B
 4B
 5B
 6B
 7B
 8B
 9B
 10B
 11B
 12B
 13B
 14B
 15B
 16B
 17B
 18B
 19B
 20B GND
 21B
 22B
 23B
 24B
 25B
 26B
 27B
 28B
 29B -18 V
 30B +18 V
 31B + 5 V 3A
 32B + 5 V 3A

 ./.

GRP 1S <-- <-- <-- CONTINUATION
 =====
 ELM 41C 1.862.659.00
 P01 SYNCHRONIZER

 PNT SIGNAL NAME COLOR LV TYPE F

 1C GND
 2C GND
 3C
 4C
 5C TA-ITC
 6C SS-ITC
 7C
 8C CO-MOVE1
 9C CO-MOVE2
 10C
 11C
 12C CO-ITCIN
 13C SSITCOUT
 14C CK-VIDFR
 15C
 16C CO-BIPHR
 17C CO-BIPHS
 18C
 19C
 20C GND
 21C
 22C
 23C
 24C SS-IRFNT
 25C T-IREFEX
 26C TDINVCLK
 27C TDINVDIR
 28C
 29C -18 V
 30C +18 V
 31C + 5 V 3A
 32C + 5 V 3A

 ./.

 * STUDER REVOX AG * L O C A T I O N P I N L I S T * 91/02/19 * 11:24 * P A G E 127 *
 * 1.862.010.00 D820-48 PCH TAPE - RECORDER * 90/03/21 - 00 *
 * 1.862.611.00 BACKPANEL AS1: A-GR.1 + S-GR.1 *
 ASY 3A

GRP 1S <-- <-- <-- CONTINUATION
 =====
 ELM 42A 1.862.659.00
 P02 SYNCHRONIZER

 PNT SIGNAL NAME COLOR LV TYPE F

 1A GND
 2A GND
 3A CP-FD0
 4A CP-FD1
 5A CP-FD2
 6A CP-FD3
 7A CP-FD4
 8A CP-FD5
 9A CP-FD6
 10A CP-FD7
 11A CP-FRD
 12A CP-FINT
 13A PI-FIEO
 14A PI-SCLK
 15A PI-STPH
 16A PI-SDAT
 17A PI-SVAL
 18A RT-BPHO
 19A RT-BPHI
 20A CP-EVIN
 21A RT-CTLJP
 22A CK-CHNR0
 23A CK-CHNR1
 24A CK-CHNR2
 25A
 26A CK-DFCK1
 27A CK-MCK1
 28A CK-DMCK1
 29A -18 V
 30A +18 V
 31A + 5 V 3A
 32A + 5 V 3A

 ./.

GRP 1S <-- <-- <-- CONTINUATION
 =====
 ELM 42B 1.862.659.00
 P02 SYNCHRONIZER

 PNT SIGNAL NAME COLOR LV TYPE F

 1B GND
 2B GND
 3B
 4B
 5B
 6B
 7B
 8B
 9B
 10B
 11B
 12B
 13B
 14B
 15B
 16B
 17B
 18B
 19B
 20B
 21B
 22B
 23B
 24B
 25B
 26B
 27B
 28B
 29B -18 V
 30B +18 V
 31B + 5 V 3A
 32B + 5 V 3A

 ./.

GRP 1S <-- <-- <-- CONTINUATION
 =====
 ELM 42C 1.862.659.00
 P02 SYNCHRONIZER

 PNT SIGNAL NAME COLOR LV TYPE F

 1C GND
 2C GND
 3C CP-FAE
 4C CP-FA1
 5C CP-FA2
 6C CP-FA3
 7C CP-FA4
 8C CP-FA5
 9C CP-FA6
 10C CP-FA7
 11C CP-FWR
 12C CP-FIACK
 13C SS-FIEO
 14C PI-ISCLK
 15C PI-ISTPH
 16C PI-ISDAT
 17C PI-ISVAL
 18C RT-BLADO
 19C RT-BLADI
 20C CP-EVOUT
 21C CP-RESET
 22C CK-MSYNC
 23C CK-BSYNC
 24C CK-SSYNC
 25C
 26C CKIDFCK1
 27C CK-IMCK1
 28C CKIDMCK1
 29C -18 V
 30C +18 V
 31C + 5 V 3A
 32C + 5 V 3A

 ./.

STUDER D820 MCH

 * STUDER REVOX AG * L O C A T I O N P I N L I S T * 91/02/19 * 11:24 * P A G E 128 *
 * 1.862.010.00 D820-48 PCM TAPE - RECORDER * 90/03/21 - 00 *
 ASY 3A 1.862.611.00 BACKPANEL AS1: A-GR.1 + S-GR.1 *****

GRP 1S <-- <-- <-- CONTINUATION

ELM 51A 1.862.657.00
P01 REFERENCE TRACK

PNT	SIGNAL NAME	COLOR	LV	TYPE	F
1A	GND				
2A	GND				
3A					
4A					
5A	RT-RT				
6A	TA-RT				
7A					
8A					
9A					
10A					
11A					
12A					
13A					
14A					
15A					
16A					
17A	RT-GRID				
18A					
19A	RT-SSYTP				
20A	GND				
21A	TC-BPH0				
22A	TC-BPH1				
23A					
24A					
25A					
26A					
27A					
28A					
29A	-18 V				
30A	+18 V				
31A	+ 5 V 3A				
32A	+ 5 V 3A				

GRP 1S <-- <-- <-- CONTINUATION

ELM 51B 1.862.657.00
P01 REFERENCE TRACK

PNT	SIGNAL NAME	COLOR	LV	TYPE	F
1B	GND				
2B	GND				
3B					
4B					
5B					
6B					
7B					
8B					
9B					
10B					
11B					
12B					
13B					
14B					
15B					
16B					
17B					
18B					
19B					
20B	GND				
21B					
22B					
23B					
24B					
25B					
26B					
27B					
28B					
29B	-18 V				
30B	+18 V				
31B	+ 5 V 3A				
32B	+ 5 V 3A				

GRP 1S <-- <-- <-- CONTINUATION

ELM 51C 1.862.657.00
P01 REFERENCE TRACK

PNT	SIGNAL NAME	COLOR	LV	TYPE	F
1C	GND				
2C	GND				
3C	CK-RTCK2				
4C					
5C	RT-IRT				
6C	TA-IRT				
7C	CO-RTIN				
8C	RT-RTOUT				
9C					
10C					
11C					
12C					
13C					
14C					
15C					
16C					
17C	RT-IGRID				
18C					
19C	RTISSYTP				
20C	GND				
21C	TC-IBPH0				
22C	TC-IBPH1				
23C					
24C					
25C					
26C					
27C					
28C					
29C	-18 V				
30C	+18 V				
31C	+ 5 V 3A				
32C	+ 5 V 3A				

 * STUDER REVOX AG * L O C A T I O N P I N L I S T * 91/02/19 * 11:24 * P A G E 129 *
 * 1.862.010.00 D820-48 PCM TAPE - RECORDER * 90/03/21 - 00 *
 ASY 3A 1.862.611.00 BACKPANEL AS1: A-GR.1 + S-GR.1 *****

GRP 1S <-- <-- <-- CONTINUATION

ELM 52A 1.862.657.00
P02 REFERENCE TRACK

PNT	SIGNAL NAME	COLOR	LV	TYPE	F
1A	GND				
2A	GND				
3A	CP-FD0				
4A	CP-FD1				
5A	CP-FD2				
6A	CP-FD3				
7A	CP-FD4				
8A	CP-FD5				
9A	CP-FD6				
10A	CP-FD7				
11A	CP-FRD				
12A	CP-FINT				
13A	SS-FIE0				
14A	PI-SCLK				
15A	PI-STPH				
16A	PI-SDAT				
17A	PI-SVAL				
18A	RT-BPH0				
19A	RT-BPH1				
20A					
21A	RT-CTLJP				
22A	CK-CHNR0				
23A	CK-CHNR1				
24A	CK-CHNR2				
25A					
26A	CK-DFCK1				
27A	CK-MCK1				
28A	CK-DMCK1				
29A	-18 V				
30A	+18 V				
31A	+ 5 V 3A				
32A	+ 5 V 3A				

GRP 1S <-- <-- <-- CONTINUATION

ELM 52B 1.862.657.00
P02 REFERENCE TRACK

PNT	SIGNAL NAME	COLOR	LV	TYPE	F
1B	GND				
2B	GND				
3B					
4B					
5B					
6B					
7B					
8B					
9B					
10B					
11B					
12B					
13B					
14B					
15B					
16B					
17B					
18B					
19B					
20B					
21B					
22B					
23B					
24B					
25B					
26B					
27B					
28B					
29B	-18 V				
30B	+18 V				
31B	+ 5 V 3A				
32B	+ 5 V 3A				

GRP 1S <-- <-- <-- CONTINUATION

ELM 52C 1.862.657.00
P02 REFERENCE TRACK

PNT	SIGNAL NAME	COLOR	LV	TYPE	F
1C	GND				
2C	GND				
3C	CP-FAE				
4C	CP-FA1				
5C	CP-FA2				
6C	CP-FA3				
7C	CP-FA4				
8C	CP-FA5				
9C	CP-FA6				
10C	CP-FA7				
11C	CP-FWR				
12C	CP-FIACK				
13C					
14C	PI-ISCLK				
15C	PI-ISTPH				
16C	PI-ISDAT				
17C	PI-ISVAL				
18C	RT-BLAD0				
19C	RT-BLAD1				
20C					
21C	CP-RESET				
22C	CK-MSYNC				
23C	CK-BSYNC				
24C	CK-SSYNC				
25C					
26C	CKIDFCK1				
27C	CK-IMCK1				
28C	CKIDMCK1				
29C	-18 V				
30C	+18 V				
31C	+ 5 V 3A				
32C	+ 5 V 3A				

 * STUDER REVOX AG * L O C A T I O N P I N L I S T * 91/02/19 * 11:24 * P A G E 130 *
 * 1.862.010.00 D820-48 PCM TAPE - RECORDER * 90/03/21 - 00 *
 ASY 3A 1.862.611.00 BACKPANEL ASI: A-GR.1 + S-GR.1 <-- <-- <-- CONTINUATION

GRP 10S
 FLATCABLE CONNECTIONS + POWER TERM.
 =====

ELM 10
 CUE HEADPHONE OUT

 PNT SIGNAL NAME COLOR LV TYPE F

 1 GND
 2 CU-PHONL
 3 GND
 4 CU-PHONR
 5 GND
 6 CU-PHONO
 7 GND
 8 +18 V
 9 -18 V
 10 GND

ELM 11
 CUE IN/OUT

 PNT SIGNAL NAME COLOR LV TYPE F

 1 CO-CUE1
 2 CO-ICUE1
 3 GND
 4 GND
 5 CO-CUE2
 6 CO-ICUE2
 7 GND
 8 GND
 9 CU-OUT1
 10 CU-IOU1
 11 GND
 12 GND
 13 CU-OUT2
 14 CU-IOU2
 15 GND
 16 GND

GRP 10S <-- <-- <-- CONTINUATION
 =====

ELM 12
 CUE ANALOG (FROM TD)

 PNT SIGNAL NAME COLOR LV TYPE F

 1 AA-CUE10
 2 AA-CUE1A
 3 AA-CUE1B
 4 AA-CUE20
 5 AA-CUE2A
 6 AA-CUE2B
 7
 8
 9
 10

ELM 13
 CUE PDM (TO TD)

 PNT SIGNAL NAME COLOR LV TYPE F

 1 CU-CUE1
 2 CU-ICUE1
 3 CU-CUE2
 4 CU-ICUE2
 5
 6
 7
 8
 9
 10

ELM 14
 CPU POWER CONTROL

 PNT SIGNAL NAME COLOR LV TYPE F

 1 OSTABIN
 2 OSTABIN
 3
 4
 5
 6
 7
 8
 9 T-PWRON
 10

GRP 10S <-- <-- <-- CONTINUATION
 =====

ELM 15
 PIF SERBUS INTERN

 PNT SIGNAL NAME COLOR LV TYPE F

 1 PI-SCLK
 2 PI-ISCLK
 3 PI-STPH
 4 PI-ISTPH
 5 PI-SDAT
 6 PI-ISDAT
 7 PI-SVAL
 8 PI-ISVAL
 9
 10

ELM 15X
 DUMMY CONNECTOR NOT EXISTENT

 PNT SIGNAL NAME COLOR LV TYPE F

 1
 2 DUMMY
 3
 4 DUMMY
 5 DUMMY
 6 DUMMY
 7 DUMMY
 8 DUMMY
 9 DUMMY
 10 DUMMY
 11 DUMMY
 12 DUMMY
 13 DUMMY
 14 DUMMY
 15 DUMMY
 16 DUMMY
 17 DUMMY
 18 DUMMY
 19 DUMMY
 20 DUMMY
 21 DUMMY
 22 DUMMY
 23 DUMMY
 24 DUMMY
 25 DUMMY
 26 DUMMY
 27 DUMMY

 * STUDER REVOX AG * L O C A T I O N P I N L I S T * 91/02/19 * 11:24 * P A G E 131 *
 * 1.862.010.00 D820-48 PCM TAPE - RECORDER * 90/03/21 - 00 *
 ASY 3A 1.862.611.00 BACKPANEL ASI: A-GR.1 + S-GR.1 <-- <-- <-- CONTINUATION

GRP 10S <-- <-- <-- CONTINUATION
 =====

ELM 16
 FIFO-BUS TERMINATION

 PNT SIGNAL NAME COLOR LV TYPE F

 1 GND
 2 CP-FD0
 3 CP-FD1
 4 CP-FD2
 5 CP-FD3
 6 CP-FD4
 7 CP-FD5
 8 CP-FD6
 9 CP-FD7
 10 + 5 V 3A

ELM 17
 FIFO-BUS TERMINATION

 PNT SIGNAL NAME COLOR LV TYPE F

 1 GND
 2
 3
 4
 5
 6
 7
 8
 9 CP-FRD
 10 + 5 V 3A

ELM 17X
 DUMMY CONNECTOR NOT EXISTENT

 PNT SIGNAL NAME COLOR LV TYPE F

 1
 2 DUMMY
 3 DUMMY
 4 DUMMY
 5 DUMMY
 6 DUMMY
 7 DUMMY
 8 DUMMY
 9 DUMMY
 10 DUMMY

GRP 10S <-- <-- <-- CONTINUATION
 =====

ELM 18
 FIFO-BUS TERMINATION

 PNT SIGNAL NAME COLOR LV TYPE F

 1 GND
 2 CP-FAE
 3 CP-FA1
 4 CP-FA2
 5 CP-FA3
 6 CP-FA4
 7 CP-FA5
 8 CP-FA6
 9 CP-FA7
 10 + 5 V 3A

ELM 19
 FIFO-BUS TERMINATION

 PNT SIGNAL NAME COLOR LV TYPE F

 1 GND
 2
 3
 4
 5
 6
 7
 8 CP-FWR
 9 CP-FIACK
 10 + 5 V 3A

GRP 10S <-- <-- <-- CONTINUATION
 =====

ELM 21
 PIF TDC-BUS

 PNT SIGNAL NAME COLOR LV TYPE F

 1 GND
 2 GND
 3 PI-SL5
 4 PI-ISL5
 5 PI-SL4
 6 PI-ISL4
 7 PI-RES
 8 PI-IRES
 9 PI-RW
 10 PI-IRW
 11 PI-ENB
 12 PI-IENB
 13 PI-ADR2
 14 PI-IADR2
 15 PI-ADR1
 16 PI-IADR1
 17 PI-ADRO
 18 PI-IADRO
 19 TM-SHIR
 20 GND
 21 TM-KBIR
 22 GND
 23 TM-REMR
 24 GND
 25 PI-DATA7
 26 GND
 27 PI-DATA6
 28 GND
 29 PI-DATA5
 30 GND
 31 PI-DATA4
 32 GND
 33 PI-DATA3
 34 GND
 35 PI-DATA2
 36 GND
 37 PI-DATA1
 38 GND
 39 PI-DATA0
 40 GND

STUDER D820 MCH

 * STUDER REVOX AG * L O C A T I O N P I N L I S T * 91/02/19 * 11:24 * P A G E 132 *

 * 1.862.010.00 D820-48 PCM TAPE - RECORDER * 90/03/21 - 00 *

 ASY 3A 1.862.611.00 BACKPANEL AS1: A-GR.1 + S-GR.1 <-- <-- <-- CONTINUATION

GRP 10S <-- <-- <-- CONTINUATION
 =====

ELM 22
PIF REM-BUS

PNT	SIGNAL NAME	COLOR	LV	TYPE	F
1	PI-RCLK				
2	PI-IRCLK				
3	PI-RRXD				
4	PI-IRRXD				
5	PI-RTXD				
6	PI-IRTXD				
7	PI-RES1				
8	PI-RES2				
9	PI-RES3				
10	PI-RES4				

ELM 31
PIF SSSA

PNT	SIGNAL NAME	COLOR	LV	TYPE	F
1	TD-SCLK				
2	TD-ISCLK				
3	TD-SRX				
4	TD-ISRX				
5	TD-STX				
6	TD-ISTX				
7	TD-SDTR				
8	TD-ISDTR				
9	TD-SCTS				
10	TD-ISCTS				

ELM 32
SSTC MASTER TALLIES

PNT	SIGNAL NAME	COLOR	LV	TYPE	F
1	CO-TREC				
2	CO-TFREC				
3	CO-TSTOP				
4	CO-TPLAY				
5					
6					
7					
8					
9	CO-MOVE1				
10	CO-MOVE2				

GRP 10S <-- <-- <-- CONTINUATION
 =====

ELM 33
PIF SMPTE/EBU

PNT	SIGNAL NAME	COLOR	LV	TYPE	F
1	PI-EBUFG				
2	PI-EBUTC				
3	PI-EBUTA				
4	PI-EBUTB				
5	PI-EBURB				
6	PI-EBURA				
7	PI-EBURC				
8	PI-EBUFG				
9					
10					

ELM 34
PIF SERBUS EXTERN

PNT	SIGNAL NAME	COLOR	LV	TYPE	F
1					
2	PI-IECLK				
3	PI-ECLK				
4	PI-IEDAT				
5	PI-EDAT				
6	PI-IETPH				
7	PI-ETPH				
8	PI-EVAL				
9	PI-IEVAL				
10					

ELM 41
RT+TC DATA (TO TD)

PNT	SIGNAL NAME	COLOR	LV	TYPE	F
1	RT-RT				
2	RT-IRT				
3	SS-TC				
4	SS-ITC				
5					
6					
7	TA-RT				
8	TA-IRT				
9	TA-TC				
10	TA-ITC				

GRP 10S <-- <-- <-- CONTINUATION
 =====

ELM 42
SSTC + RT IN/OUT

PNT	SIGNAL NAME	COLOR	LV	TYPE	F
1	CO-TCIN				
2	CO-ITCIN				
3	SS-TCOUT				
4	SSITCOUT				
5	CO-RTIN				
6	RT-RTOUT				
7	CO-BIPHR				
8	CO-BIPHS				
9					
10					

ELM 43
RT+TC CLOCKS

PNT	SIGNAL NAME	COLOR	LV	TYPE	F
1	CK-RTCK2				
2					
3	RT-SSYTP				
4	RTISSYTP				
5	RT-GRID				
6	RT-IGRID				
7	TC-BPH0				
8	TC-IBPH0				
9	TC-BPH1				
10	TC-IBPH1				
11					
12	CK-VIDFR				
13	SS-RFNT				
14	SS-IRFNT				
15	T-REFEX				
16	T-IREFEX				
17	TD-MVCLK				
18	TDIMVCLK				
19	TD-MVDIR				
20	TDIMVDIR				
21					
22					
23					
24					
25					
26					

ELM 43
RT+TC CLOCKS

PNT	SIGNAL NAME	COLOR	LV	TYPE	F
1	CK-RTCK2				
2					
3	RT-SSYTP				
4	RTISSYTP				
5	RT-GRID				
6	RT-IGRID				
7	TC-BPH0				
8	TC-IBPH0				
9	TC-BPH1				
10	TC-IBPH1				
11					
12	CK-VIDFR				
13	SS-RFNT				
14	SS-IRFNT				
15	T-REFEX				
16	T-IREFEX				
17	TD-MVCLK				
18	TDIMVCLK				
19	TD-MVDIR				
20	TDIMVDIR				
21					
22					
23					
24					
25					
26					

 * STUDER REVOX AG * L O C A T I O N P I N L I S T * 91/02/19 * 11:24 * P A G E 135 *

 * 1.862.010.00 D820-48 PCM TAPE - RECORDER * 90/03/21 - 00 *

 ASY 3A 1.862.611.00 BACKPANEL AS1: A-GR.1 + S-GR.1 <-- <-- <-- CONTINUATION

GRP 10S <-- <-- <-- CONTINUATION
 =====

ELM 46
FIFO-BUS TERMINATION

PNT	SIGNAL NAME	COLOR	LV	TYPE	F
1	GND				
2	CP-FD0				
3	CP-FD1				
4	CP-FD2				
5	CP-FD3				
6	CP-FD4				
7	CP-FD5				
8	CP-FD6				
9	CP-FD7				
10	+ 5 V 3A				

ELM 47
FIFO-BUS TERMINATION

PNT	SIGNAL NAME	COLOR	LV	TYPE	F
1	GND				
2					
3					
4					
5					
6					
7					
8					
9	CP-FRD				
10	+ 5 V 3A				

ELM 47X
DUMMY CONNECTOR NOT EXISTENT

PNT	SIGNAL NAME	COLOR	LV	TYPE	F
1				DUMMY	
2				DUMMY	
3				DUMMY	
4				DUMMY	
5				DUMMY	
6				DUMMY	
7				DUMMY	
8				DUMMY	
9				DUMMY	
10				DUMMY	

GRP 10S <-- <-- <-- CONTINUATION
 =====

ELM 48
FIFO-BUS TERMINATION

PNT	SIGNAL NAME	COLOR	LV	TYPE	F
1	GND				
2	CP-FAE				
3	CP-FA1				
4	CP-FA2				
5	CP-FA3				
6	CP-FA4				
7	CP-FA5				
8	CP-FA6				
9	CP-FA7				
10	+ 5 V 3A				

ELM 49
FIFO-BUS TERMINATION

PNT	SIGNAL NAME	COLOR	LV	TYPE	F
1	GND				
2					
3					
4					
5					
6					
7					
8	CP-FWR				
9	CP-FIACK				
10	+ 5 V 3A				

GRP 10S <-- <-- <-- CONTINUATION
 =====

ELM 60X
DUMMY CONNECTOR NOT EXISTENT

PNT	SIGNAL NAME	COLOR	LV	TYPE	F
1				DUMMY	
2				DUMMY	
3				DUMMY	
4				DUMMY	
5				DUMMY	
6				DUMMY	
7				DUMMY	
8				DUMMY	
9				DUMMY	
10				DUMMY	
11				DUMMY	
12				DUMMY	
13				DUMMY	
14				DUMMY	
15				DUMMY	
16				DUMMY	
17				DUMMY	
18				DUMMY	
19				DUMMY	
20				DUMMY	
21				DUMMY	
22				DUMMY	
23				DUMMY	
24				DUMMY	
25				DUMMY	
26				DUMMY	
27				DUMMY	
28				DUMMY	
29				DUMMY	
30				DUMMY	
31				DUMMY	
32				DUMMY	
33				DUMMY	
34				DUMMY	
35				DUMMY	
36				DUMMY	
37				DUMMY	
38				DUMMY	
39				DUMMY	
40				DUMMY	

 * STUDER REVOX AG * L O C A T I O N P I N L I S T * 91/02/19 * 11:24 * P A G E 134 *
 * 1.862.010.00 D820-48 PCM TAPE - RECORDER * 90/03/21 - 00 *
 ASY 3A 1.862.611.00 BACKPANEL AS1: A-GR.1 + S-GR.1 <-- <-- <-- CONTINUATION

GRP 10S <-- <-- <-- CONTINUATION

ELM 61A 1.862.600.00
 PO1 18V CONVERTER NEG

PNT	SIGNAL NAME	COLOR	LV	TYPE	F
2Z					
4Z					
6Z					
8Z	OSTABIN				
10Z	OSTABIN				
12Z	OSTABIN				
14Z	OSTABIN				
16Z					
18Z					
20Z					
22Z					
24Z					
26Z	+STABINA				
28Z	+STABINA				
30Z	+STABINA				
32Z	+STABINA				

GRP 10S <-- <-- <-- CONTINUATION

ELM 61C 1.862.600.00
 PO1 18V CONVERTER NEG

PNT	SIGNAL NAME	COLOR	LV	TYPE	F
2B					
4B					
6B					
8B	OSTABIN				
10B	OSTABIN				
12B	OSTABIN				
14B	OSTABIN				
16B					
18B					
20B					
22B					
24B					
26B	+STABINA				
28B	+STABINA				
30B	+STABINA				
32B	+STABINA				

GRP 10S <-- <-- <-- CONTINUATION

ELM 61E 1.862.600.00
 PO1 18V CONVERTER NEG

PNT	SIGNAL NAME	COLOR	LV	TYPE	F
2D	GND				
4D	CK-PMRSY				
6D					
8D	OSTABIN				
10D	OSTABIN				
12D	OSTABIN				
14D	OSTABIN				
16D					
18D					
20D					
22D					
24D					
26D	+STABINA				
28D	+STABINA				
30D	+STABINA				
32D	+STABINA				

ELM 61B
 DUMMY CONNECTOR NOT EXISTENT

PNT	SIGNAL NAME	COLOR	LV	TYPE	F
1				DUMMY	
2				DUMMY	
3				DUMMY	
4				DUMMY	
5				DUMMY	
6				DUMMY	
7				DUMMY	
8				DUMMY	
9				DUMMY	
10				DUMMY	
11				DUMMY	
12				DUMMY	
13				DUMMY	
14				DUMMY	
15				DUMMY	
16				DUMMY	

ELM 61D
 DUMMY CONNECTOR NOT EXISTENT

PNT	SIGNAL NAME	COLOR	LV	TYPE	F
1				DUMMY	
2				DUMMY	
3				DUMMY	
4				DUMMY	
5				DUMMY	
6				DUMMY	
7				DUMMY	
8				DUMMY	
9				DUMMY	
10				DUMMY	
11				DUMMY	
12				DUMMY	
13				DUMMY	
14				DUMMY	
15				DUMMY	
16				DUMMY	

ELM 61F
 DUMMY CONNECTOR NOT EXISTENT

PNT	SIGNAL NAME	COLOR	LV	TYPE	F
1				DUMMY	
2				DUMMY	
3				DUMMY	
4				DUMMY	
5				DUMMY	
6				DUMMY	
7				DUMMY	
8				DUMMY	
9				DUMMY	
10				DUMMY	
11				DUMMY	
12				DUMMY	
13				DUMMY	
14				DUMMY	
15				DUMMY	
16				DUMMY	

 * STUDER REVOX AG * L O C A T I O N P I N L I S T * 91/02/19 * 11:24 * P A G E 135 *
 * 1.862.010.00 D820-48 PCM TAPE - RECORDER * 90/03/21 - 00 *
 ASY 3A 1.862.611.00 BACKPANEL AS1: A-GR.1 + S-GR.1 <-- <-- <-- CONTINUATION

GRP 10S <-- <-- <-- CONTINUATION

ELM 62A 1.862.600.00
 PO2 18V CONVERTER NEG

PNT	SIGNAL NAME	COLOR	LV	TYPE	F
2Z	-18 V				
4Z	-18 V				
6Z	-18 V				
8Z	-18 V				
10Z					
12Z					
14Z					
16Z					
18Z	GND				
20Z	GND				
22Z	GND				
24Z	GND				
26Z					
28Z					
30Z					
32Z					

GRP 10S <-- <-- <-- CONTINUATION

ELM 62C 1.862.600.00
 PO2 18V CONVERTER NEG

PNT	SIGNAL NAME	COLOR	LV	TYPE	F
2B	-18 V				
4B	-18 V				
6B	-18 V				
8B	-18 V				
10B					
12B					
14B					
16B					
18B	GND				
20B	GND				
22B	GND				
24B	GND				
26B					
28B					
30B					
32B					

GRP 10S <-- <-- <-- CONTINUATION

ELM 62E 1.862.600.00
 PO2 18V CONVERTER NEG

PNT	SIGNAL NAME	COLOR	LV	TYPE	F
2D	-18 V				
4D	-18 V				
6D	-18 V				
8D	-18 V				
10D					
12D					
14D					
16D					
18D	GND				
20D	GND				
22D	GND				
24D	GND				
26D					
28D	+ 5 V 3A				
30D	GND				
32D	VC-PUPS				

ELM 62B
 DUMMY CONNECTOR NOT EXISTENT

PNT	SIGNAL NAME	COLOR	LV	TYPE	F
1				DUMMY	
2				DUMMY	
3				DUMMY	
4				DUMMY	
5				DUMMY	
6				DUMMY	
7				DUMMY	
8				DUMMY	
9				DUMMY	
10				DUMMY	
11				DUMMY	
12				DUMMY	
13				DUMMY	
14				DUMMY	
15				DUMMY	
16				DUMMY	

ELM 62D
 DUMMY CONNECTOR NOT EXISTENT

PNT	SIGNAL NAME	COLOR	LV	TYPE	F
1				DUMMY	
2				DUMMY	
3				DUMMY	
4				DUMMY	
5				DUMMY	
6				DUMMY	
7				DUMMY	
8				DUMMY	
9				DUMMY	
10				DUMMY	
11				DUMMY	
12				DUMMY	
13				DUMMY	
14				DUMMY	
15				DUMMY	
16				DUMMY	

ELM 62F
 DUMMY CONNECTOR NOT EXISTENT

PNT	SIGNAL NAME	COLOR	LV	TYPE	F
1				DUMMY	
2				DUMMY	
3				DUMMY	
4				DUMMY	
5				DUMMY	
6				DUMMY	
7				DUMMY	
8				DUMMY	
9				DUMMY	
10				DUMMY	
11				DUMMY	
12				DUMMY	
13				DUMMY	
14				DUMMY	
15				DUMMY	
16				DUMMY	
17				DUMMY	
18				DUMMY	
19				DUMMY	
20				DUMMY	
21				DUMMY	
22				DUMMY	
23				DUMMY	
24				DUMMY	

STUDER D820 MCH

```
*****
* STUDER REVOX AG * L O C A T I O N P I N L I S T * 91/02/19 * 11:24 * P A G E 136 *
*****
* 1.862.010.00 D820-48 PCM TAPE - RECORDER * 90/03/21 - 00 *
*****
ASY 3A 1.862.611.00 BACKPANEL AS1: A-GR.1 + S-GR.1 <-- <-- <-- CONTINUATION
```

```
GRP 10S <-- <-- <-- CONTINUATION
=====
ELM 71
POWER TERMINAL +60 V
-----
PNT SIGNAL NAME COLOR LV TYPE F
1 +STABINA
-----
ELM 72
POWER TERMINAL +60 V
-----
PNT SIGNAL NAME COLOR LV TYPE F
1 +STABINA
-----
ELM 73
POWER TERMINAL 0 V
-----
PNT SIGNAL NAME COLOR LV TYPE F
1 OSTABIN
-----
ELM 74
POWER TERMINAL 0 V
-----
PNT SIGNAL NAME COLOR LV TYPE F
1 OSTABIN
-----
ELM 75
POWER TERMINAL -18 V
-----
PNT SIGNAL NAME COLOR LV TYPE F
1 -18 V
-----
ELM 76
POWER TERMINAL -18 V
-----
PNT SIGNAL NAME COLOR LV TYPE F
1 -18 V
-----
```

```
GRP 10S <-- <-- <-- CONTINUATION
=====
ELM 77
POWER TERMINAL -18 V
-----
PNT SIGNAL NAME COLOR LV TYPE F
1 -18 V
-----
ELM 78
POWER TERMINAL +18 V
-----
PNT SIGNAL NAME COLOR LV TYPE F
1 +18 V
-----
ELM 79
POWER TERMINAL + 5 V 3A
-----
PNT SIGNAL NAME COLOR LV TYPE F
1 + 5 V 3A
-----
ELM 80
POWER TERMINAL GND
-----
PNT SIGNAL NAME COLOR LV TYPE F
1 GND
-----
ELM 81
POWER TERMINAL GND
-----
PNT SIGNAL NAME COLOR LV TYPE F
1 GND
-----
```

```
GRP 10S <-- <-- <-- CONTINUATION
=====
ELM 91
GENERAL BUS ASSY.3
-----
PNT SIGNAL NAME COLOR LV TYPE F
1 CK-PHRSY
2 VC-PUP3
3 VC-PUP4
4 VC-PUP6
5 PI-SCLK
6 PI-ISCLK
7 PI-STPH
8 PI-ISTPH
9 PI-SDAT
10 PI-ISDAT
11 PI-SVAL
12 PI-ISVAL
13 RT-BPHO
14 RT-BLADO
15 RT-BPH1
16 RI-BLAD1
17
18
19 RT-CTLJP
20 CP-RESET
21 CK-CHNR0
22 CK-MSYNC
23 CK-CHNR1
24 CK-BSYNC
25 CK-CHNR2
26 CK-SSYNC
27
28
29 CK-DFCK1
30 CKIDFCK1
31 CK-MCK1
32 CK-IMCK1
33 CK-DMCK1
34 CKIDMCK1
-----
```

```
*****
* STUDER REVOX AG * L O C A T I O N P I N L I S T * 91/02/19 * 11:24 * P A G E 137 *
*****
* 1.862.010.00 D820-48 PCM TAPE - RECORDER * 90/03/21 - 00 *
*****
ASY 3A 1.862.611.00 BACKPANEL AS1: A-GR.1 + S-GR.1 <-- <-- <-- CONTINUATION
```

```
GRP 11
FLATCABLE CONNECTIONS + POWER TERM.
=====
ELM 11
MA (MAPRO OUT) A-GR.1/CHANNEL 1- 8
-----
PNT SIGNAL NAME COLOR LV TYPE F
1 MA-CH01
2 MA-ICH01
3 MA-CH02
4 MA-ICH02
5 MA-CH03
6 MA-ICH03
7 MA-CH04
8 MA-ICH04
9 MA-CH05
10 MA-ICH05
11 MA-CH06
12 MA-ICH06
13 MA-CH07
14 MA-ICH07
15 MA-CH08
16 MA-ICH08
-----
ELM 12
TA (MAPRO IN) A-GR.1/CHANNEL 1- 8
-----
PNT SIGNAL NAME COLOR LV TYPE F
1 TA-CH01
2 TA-ICH01
3 TA-CH02
4 TA-ICH02
5 TA-CH03
6 TA-ICH03
7 TA-CH04
8 TA-ICH04
9 TA-CH05
10 TA-ICH05
11 TA-CH06
12 TA-ICH06
13 TA-CH07
14 TA-ICH07
15 TA-CH08
16 TA-ICH08
-----
```

```
GRP 11 <-- <-- <-- CONTINUATION
=====
ELM 21
DA OUT A-GR.1/CH 3, 4, 7, 8
-----
PNT SIGNAL NAME COLOR LV TYPE F
1 DA-OUT04
2 DAIOUT04
3 GND
4 GND
5 DA-OUT08
6 DAIOUT08
7 GND
8 GND
9 DA-OUT07
10 DAIOUT07
11 GND
12 GND
13 DA-OUT03
14 DAIOUT03
15 GND
16 GND
-----
ELM 22
DA OUT A-GR.1/CH 1, 2, 5, 6
-----
PNT SIGNAL NAME COLOR LV TYPE F
1 DA-OUT02
2 DAIOUT02
3 GND
4 GND
5 DA-OUT06
6 DAIOUT06
7 GND
8 GND
9 DA-OUT05
10 DAIOUT05
11 GND
12 GND
13 DA-OUT01
14 DAIOUT01
15 GND
16 GND
-----
```

```
GRP 11 <-- <-- <-- CONTINUATION
=====
ELM 31
AD IN A-GR.1/CHANNEL 5- 8
-----
PNT SIGNAL NAME COLOR LV TYPE F
1 GND
2 GND
3 CO-AIN05
4 COIAIN05
5 GND
6 GND
7 CO-AIN06
8 COIAIN06
9 GND
10 GND
11 CO-AIN07
12 COIAIN07
13 GND
14 GND
15 CO-AIN08
16 COIAIN08
-----
ELM 32
AD IN A-GR.1/CHANNEL 1- 4
-----
PNT SIGNAL NAME COLOR LV TYPE F
1 GND
2 GND
3 CO-AIN01
4 COIAIN01
5 GND
6 GND
7 CO-AIN02
8 COIAIN02
9 GND
10 GND
11 CO-AIN03
12 COIAIN03
13 GND
14 GND
15 CO-AIN04
16 COIAIN04
-----
```

 * STUDER REVOX AG * L O C A T I O N P I N L I S T * 91/02/19 * 11:24 * P A G E 138 *
 * 1.862.010.00 D820-48 PCM TAPE - RECORDER * 90/03/21 - 00 *
 ASY 3A 1.862.611.00 BACKPANEL AS1: A-GR.1 + S-GR.1 <-- <-- <-- CONTINUATION

GRP 11 <-- <-- <-- CONTINUATION
 =====

ELM 41
 IO A-GR.1/CHANNEL 1- 8
 PNT SIGNAL NAME COLOR LV TYPE F

 1
 2
 3 PP-DAT10
 4 PPIDAT10
 5 PP-DAT11
 6 PPIDAT11
 7 IO-DAT11
 8 IOIDAT11
 9 IO-DAT10
 10 IOIDAT10

ELM 71
 RESERVE 16-PIN
 PNT SIGNAL NAME COLOR LV TYPE F

 1
 2
 3
 4
 5
 6
 7
 8
 9
 10
 11
 12
 13
 14
 15
 16

 ./.

GRP 11 <-- <-- <-- CONTINUATION
 =====

ELM 72
 GENERAL BUS ASSY.3A
 PNT SIGNAL NAME COLOR LV TYPE F

 1 CK-PHRSY
 2 VC-PUP1
 3 VC-PUP2
 4
 5 PI-SCLK
 6 PI-ISCLK
 7 PI-STPH
 8 PI-ISTPH
 9 PI-SDAT
 10 PI-ISDAT
 11 PI-SVAL
 12 PI-ISVAL
 13 RT-BPHO
 14 RT-BLADO
 15 RT-BPH1
 16 RT-BLAD1
 17
 18
 19 RT-CTLJP
 20 CP-RESET
 21 CK-CHNR0
 22 CK-WSYNC
 23 CK-CHNR1
 24 CK-BSYNC
 25 CK-CHNR2
 26 CK-SSYNC
 27
 28
 29 CK-DFCK1
 30 CKIDFCK1
 31 CK-MCK1
 32 CK-IMCK1
 33 CK-DMCK1
 34 CKIDMCK1

ELM 72X
 DUMMY CONNECTOR NOT EXISTENT
 PNT SIGNAL NAME COLOR LV TYPE F

 1 DUMMY

 * STUDER REVOX AG * L O C A T I O N P I N L I S T * 91/02/19 * 11:24 * P A G E 139 *
 * 1.862.010.00 D820-48 PCM TAPE - RECORDER * 90/03/21 - 00 *
 ASY 3A 1.862.611.00 BACKPANEL AS1: A-GR.1 + S-GR.1 <-- <-- <-- CONTINUATION

GRP 11 <-- <-- <-- CONTINUATION
 =====

ELM 99
 EMPTY PAGE
 PNT SIGNAL NAME COLOR LV TYPE F

 1 DUMMY
 2 DUMMY
 3 DUMMY
 4 DUMMY
 5 DUMMY
 6 DUMMY
 7 DUMMY
 8 DUMMY
 9 DUMMY
 10 DUMMY
 11 DUMMY
 12 DUMMY
 13 DUMMY
 14 DUMMY
 15 DUMMY
 16 DUMMY
 17 DUMMY
 18 DUMMY
 19 DUMMY
 20 DUMMY
 21 DUMMY
 22 DUMMY
 23 DUMMY
 24 DUMMY
 25 DUMMY
 26 DUMMY
 27 DUMMY
 28 DUMMY
 29 DUMMY
 30 DUMMY
 31 DUMMY
 32 DUMMY
 33 DUMMY
 34 DUMMY
 35 DUMMY
 36 DUMMY
 37 DUMMY
 38 DUMMY
 39 DUMMY
 40 DUMMY
 41 DUMMY
 42 DUMMY
 43 DUMMY
 44 DUMMY
 45 DUMMY
 46 DUMMY
 47 DUMMY

GRP 11 <-- <-- <-- CONTINUATION
 =====

ELM 99 <-- <-- <-- CONTINUATION
 PNT SIGNAL NAME COLOR LV TYPE F

 48 DUMMY
 49 DUMMY
 50 DUMMY

STUDER D820 MCH

```
*****
*   STUDER REVOX AG *   L O C A T I O N   P I N   L I S T   *   91/02/19 * 11:24 *   P A G E 140 *
*   1.862.010.00 D820-48 PCM TAPE - RECORDER *   *   90/03/21 - 00 *
*   ASY 3B 1.862.609.00 BACKPANEL AAL: A-GR.2 + A-GR.3 *****
```

```
GRP 2
AUDIO GROUP 2
=====
ELM 11A 1.862.652.00
PO1 MAPRO A-GR2 (CH 09-16)
-----
PNT SIGNAL NAME COLOR LV TYPE F
-----
1A GND
2A GND
3A MA-2D14
4A MA-2D12
5A MA-2D10
6A MA-2D08
7A MA-2D06
8A MA-2D04
9A MA-2D02
10A MA-2D00
11A MA-2HR
12A
13A
14A
15A
16A
17A
18A
19A
20A GND
21A MA-CH09
22A MA-CH10
23A MA-CH11
24A MA-CH12
25A MA-CH13
26A MA-CH14
27A MA-CH15
28A MA-CH16
29A -18 V
30A +18 V
31A + 5 V 3B
32A + 5 V 3B
-----
./.
```

```
GRP 2 <-- <-- <-- CONTINUATION
=====
ELM 11B 1.862.652.00
PO1 MAPRO A-GR2 (CH 09-16)
-----
PNT SIGNAL NAME COLOR LV TYPE F
-----
1B GND
2B GND
3B
4B
5B
6B
7B
8B
9B
10B
11B
12B
13B
14B
15B
16B
17B
18B
19B
20B GND
21B
22B
23B
24B
25B
26B
27B
28B
29B -18 V
30B +18 V
31B + 5 V 3B
32B + 5 V 3B
-----
./.
```

```
GRP 2 <-- <-- <-- CONTINUATION
=====
ELM 11C 1.862.652.00
PO1 MAPRO A-GR2 (CH 09-16)
-----
PNT SIGNAL NAME COLOR LV TYPE F
-----
1C GND
2C GND
3C MA-2D15
4C MA-2D13
5C MA-2D11
6C MA-2D09
7C MA-2D07
8C MA-2D05
9C MA-2D03
10C MA-2D01
11C MA-2RD
12C MA-2DA12
13C MA-2DA13
14C MA-2DA14
15C MA-2DA15
16C MA-2DA16
17C MA-2DA17
18C MA-2DA18
19C MA-2DA19
20C GND
21C MA-ICH09
22C MA-ICH10
23C MA-ICH11
24C MA-ICH12
25C MA-ICH13
26C MA-ICH14
27C MA-ICH15
28C MA-ICH16
29C -18 V
30C +18 V
31C + 5 V 3B
32C + 5 V 3B
-----
./.
```

```
*****
*   STUDER REVOX AG *   L O C A T I O N   P I N   L I S T   *   91/02/19 * 11:24 *   P A G E 141 *
*   1.862.010.00 D820-48 PCM TAPE - RECORDER *   *   90/03/21 - 00 *
*   ASY 3B 1.862.609.00 BACKPANEL AAL: A-GR.2 + A-GR.3 *****
```

```
GRP 2 <-- <-- <-- CONTINUATION
=====
ELM 12A 1.862.652.00
PO2 MAPRO A-GR2 (CH 09-16)
-----
PNT SIGNAL NAME COLOR LV TYPE F
-----
1A GND
2A GND
3A TA-CH09
4A TA-CH10
5A TA-CH11
6A TA-CH12
7A TA-CH13
8A TA-CH14
9A TA-CH15
10A TA-CH16
11A
12A
13A
14A PI-SCLK
15A PI-STPH
16A PI-SDAT
17A PI-SVAL
18A RT-BPH0
19A RT-BPH1
20A
21A RT-CTLJP
22A CK-CHNR0
23A CK-CHNR1
24A CK-CHNR2
25A
26A CK-DFCK1
27A CK-MCK1
28A CK-DMCK1
29A -18 V
30A +18 V
31A + 5 V 3B
32A + 5 V 3B
-----
./.
```

```
GRP 2 <-- <-- <-- CONTINUATION
=====
ELM 12B 1.862.652.00
PO2 MAPRO A-GR2 (CH 09-16)
-----
PNT SIGNAL NAME COLOR LV TYPE F
-----
1B GND
2B GND
3B
4B
5B
6B
7B
8B
9B
10B
11B
12B
13B
14B
15B
16B
17B
18B
19B
20B
21B
22B
23B
24B
25B
26B
27B
28B
29B -18 V
30B +18 V
31B + 5 V 3B
32B + 5 V 3B
-----
./.
```

```
GRP 2 <-- <-- <-- CONTINUATION
=====
ELM 12C 1.862.652.00
PO2 MAPRO A-GR2 (CH 09-16)
-----
PNT SIGNAL NAME COLOR LV TYPE F
-----
1C GND
2C GND
3C TA-ICH09
4C TA-ICH10
5C TA-ICH11
6C TA-ICH12
7C TA-ICH13
8C TA-ICH14
9C TA-ICH15
10C TA-ICH16
11C
12C
13C
14C PI-ISCLK
15C PI-ISTPH
16C PI-ISDAT
17C PI-ISVAL
18C RT-BLAD0
19C RT-BLAD1
20C
21C CP-RESET
22C CK-MSYNC
23C CK-BSYNC
24C CK-SSYNC
25C
26C CKIDFCK1
27C CK-IMCK1
28C CKIDMCK1
29C -18 V
30C +18 V
31C + 5 V 3B
32C + 5 V 3B
-----
./.
```

 * STUDER REVOX AG * L O C A T I O N P I N L I S T * 91/02/19 * 11:24 * P A G E 142 *

 * 1.862.010.00 D820-48 PCM TAPE - RECORDER * 90/03/21 - 00 *

 ASY 3B 1.862.609.00 BACKPANEL AA1: A-GR.2 + A-GR.3 <-- <-- <-- CONTINUATION

GRP 2 <-- <-- <-- CONTINUATION
 =====
 ELM 21A 1.862.651.00
 PO1 DA A-GR2 (CH 09-16)

 PNT SIGNAL NAME COLOR LV TYPE F

 1A GND
 2A GND
 3A MA-2D14
 4A MA-2D12
 5A MA-2D10
 6A MA-2D08
 7A MA-2D06
 8A MA-2D04
 9A MA-2D02
 10A MA-2D00
 11A MA-2HR
 12A MA-2DA12
 13A MA-2DA13
 14A MA-2DA14
 15A MA-2DA15
 16A MA-2DA16
 17A MA-2DA17
 18A MA-2DA18
 19A MA-2DA19
 20A GND
 21A DA-OUT12
 22A GND
 23A DA-OUT16
 24A GND
 25A DA-OUT15
 26A GND
 27A DA-OUT11
 28A GND
 29A -18 V
 30A +18 V
 31A + 5 V 3B
 32A + 5 V 3B

 ./.

GRP 2 <-- <-- <-- CONTINUATION
 =====
 ELM 21B 1.862.651.00
 PO1 DA A-GR2 (CH 09-16)

 PNT SIGNAL NAME COLOR LV TYPE F

 1B GND
 2B GND
 3B
 4B
 5B
 6B
 7B
 8B
 9B
 10B
 11B
 12B
 13B
 14B
 15B
 16B
 17B
 18B
 19B
 20B GND
 21B GND
 22B GND
 23B GND
 24B GND
 25B GND
 26B GND
 27B GND
 28B GND
 29B -18 V
 30B +18 V
 31B + 5 V 3B
 32B + 5 V 3B

 ./.

GRP 2 <-- <-- <-- CONTINUATION
 =====
 ELM 21C 1.862.651.00
 PO1 DA A-GR2 (CH 09-16)

 PNT SIGNAL NAME COLOR LV TYPE F

 1C GND
 2C GND
 3C MA-2D15
 4C MA-2D13
 5C MA-2D11
 6C MA-2D09
 7C MA-2D07
 8C MA-2D05
 9C MA-2D03
 10C MA-2D01
 11C MA-2RD
 12C IO-2DA12
 13C IO-2DA13
 14C IO-2DA14
 15C IO-2DA15
 16C IO2CLKR1
 17C IO-2LD2
 18C IO2DATR1
 19C IO-2BD1
 20C GND
 21C DAIOUT12
 22C GND
 23C DAIOUT16
 24C GND
 25C DAIOUT15
 26C GND
 27C DAIOUT11
 28C GND
 29C -18 V
 30C +18 V
 31C + 5 V 3B
 32C + 5 V 3B

 ./.

 * STUDER REVOX AG * L O C A T I O N P I N L I S T * 91/02/19 * 11:24 * P A G E 143 *

 * 1.862.010.00 D820-48 PCM TAPE - RECORDER * 90/03/21 - 00 *

 ASY 3B 1.862.609.00 BACKPANEL AA1: A-GR.2 + A-GR.3 <-- <-- <-- CONTINUATION

GRP 2 <-- <-- <-- CONTINUATION
 =====
 ELM 22A 1.862.651.00
 PO2 DA A-GR2 (CH 09-16)

 PNT SIGNAL NAME COLOR LV TYPE F

 1A GND
 2A GND
 3A DA-OUT10
 4A GND
 5A DA-OUT14
 6A GND
 7A DA-OUT13
 8A GND
 9A DA-OUT09
 10A GND
 11A
 12A
 13A
 14A GND
 15A GND
 16A GND
 17A GND
 18A GND
 19A GND
 20A
 21A GND
 22A CK-CHNR0
 23A CK-CHNR1
 24A CK-CHNR2
 25A
 26A CK-DFCK1
 27A CK-MCK1
 28A CK-DMCK1
 29A -18 V
 30A +18 V
 31A + 5 V 3B
 32A + 5 V 3B

 ./.

GRP 2 <-- <-- <-- CONTINUATION
 =====
 ELM 22B 1.862.651.00
 PO2 DA A-GR2 (CH 09-16)

 PNT SIGNAL NAME COLOR LV TYPE F

 1B GND
 2B GND
 3B GND
 4B GND
 5B GND
 6B GND
 7B GND
 8B GND
 9B GND
 10B GND
 11B
 12B
 13B
 14B
 15B
 16B
 17B
 18B
 19B
 20B
 21B
 22B
 23B
 24B
 25B
 26B
 27B
 28B
 29B -18 V
 30B +18 V
 31B + 5 V 3B
 32B + 5 V 3B

 ./.

GRP 2 <-- <-- <-- CONTINUATION
 =====
 ELM 22C 1.862.651.00
 PO2 DA A-GR2 (CH 09-16)

 PNT SIGNAL NAME COLOR LV TYPE F

 1C GND
 2C GND
 3C DAIOUT10
 4C GND
 5C DAIOUT14
 6C GND
 7C DAIOUT13
 8C GND
 9C DAIOUT09
 10C GND
 11C
 12C
 13C
 14C GND
 15C GND
 16C GND
 17C GND
 18C GND
 19C GND
 20C
 21C CP-RESET
 22C CK-HSYNC
 23C GND
 24C GND
 25C
 26C CKIDFCK1
 27C CK-IMCK1
 28C CKIDMCK1
 29C -18 V
 30C +18 V
 31C + 5 V 3B
 32C + 5 V 3B

 ./.

STUDER D820 MCH

```
*****
*   STUDER REVOX AG *   L O C A T I O N   P I N   L I S T   * 91/02/19 * 11:24 * P A G E 144 *
*****
*   1.862.010.00 D820-48 PCM TAPE - RECORDER * 90/03/21 - 00 *
*****
ASY 3B 1.862.609.00 BACKPANEL AAL: A-GR.2 + A-GR.3 <-- <-- <-- CONTINUATION
```

```
GRP 2
-----
<-- <-- <-- CONTINUATION
=====
```

```
ELM 31A 1.862.653.00
P01 IO A-GR2 (CH 09-16)
```

PNT	SIGNAL NAME	COLOR	LV	TYPE	F
1A	GND				
2A	GND				
3A	MA-2D14				
4A	MA-2D12				
5A	MA-2D10				
6A	MA-2D08				
7A	MA-2D06				
8A	MA-2D04				
9A	MA-2D02				
10A	MA-2D00				
11A	MA-2MR				
12A	IO-2DA12				
13A	IO-2DA13				
14A	IO-2DA14				
15A	IO-2DA15				
16A	IO2CLKR1				
17A	IO-2LD2				
18A	IO2DATR1				
19A	IO-2BD1				
20A	GND				
21A					
22A	PP-DAT21				
23A	PP-DAT20				
24A					
25A					
26A	IO-DAT21				
27A	IO-DAT20				
28A					
29A	-18 V				
30A	+18 V				
31A	+ 5 V 3B				
32A	+ 5 V 3B				

```
GRP 2
-----
<-- <-- <-- CONTINUATION
=====
```

```
ELM 31B 1.862.653.00
P01 IO A-GR2 (CH 09-16)
```

PNT	SIGNAL NAME	COLOR	LV	TYPE	F
1B	GND				
2B	GND				
3B					
4B					
5B					
6B					
7B					
8B					
9B					
10B					
11B					
12B					
13B					
14B					
15B					
16B					
17B					
18B					
19B					
20B	GND				
21B					
22B					
23B					
24B					
25B					
26B					
27B					
28B					
29B	-18 V				
30B	+18 V				
31B	+ 5 V 3B				
32B	+ 5 V 3B				

```
GRP 2
-----
<-- <-- <-- CONTINUATION
=====
```

```
ELM 31C 1.862.653.00
P01 IO A-GR2 (CH 09-16)
```

PNT	SIGNAL NAME	COLOR	LV	TYPE	F
1C	GND				
2C	GND				
3C	MA-2D15				
4C	MA-2D13				
5C	MA-2D11				
6C	MA-2D09				
7C	MA-2D07				
8C	MA-2D05				
9C	MA-2D03				
10C	MA-2D01				
11C	MA-2RD				
12C	IO-2IOAD				
13C	IO-2CLKT				
14C	IO-2ACK				
15C	AD-2DATT				
16C	IO2CLKR2				
17C	IO-2LD1				
18C	IO2DATR2				
19C	IO-2BD2				
20C	GND				
21C					
22C	PPIDAT21				
23C	PPIDAT20				
24C					
25C					
26C	IOIDAT21				
27C	IOIDAT20				
28C					
29C	-18 V				
30C	+18 V				
31C	+ 5 V 3B				
32C	+ 5 V 3B				

```
*****
*   STUDER REVOX AG *   L O C A T I O N   P I N   L I S T   * 91/02/19 * 11:24 * P A G E 145 *
*****
*   1.862.010.00 D820-48 PCM TAPE - RECORDER * 90/03/21 - 00 *
*****
ASY 3B 1.862.609.00 BACKPANEL AAL: A-GR.2 + A-GR.3 <-- <-- <-- CONTINUATION
```

```
GRP 2
-----
<-- <-- <-- CONTINUATION
=====
```

```
ELM 32A 1.862.653.00
P02 IO A-GR2 (CH 09-16)
```

PNT	SIGNAL NAME	COLOR	LV	TYPE	F
1A	GND				
2A	GND				
3A					
4A					
5A					
6A					
7A					
8A					
9A					
10A					
11A					
12A					
13A					
14A	PI-SCLK				
15A	PI-STPH				
16A	PI-SDAT				
17A	PI-SVAL				
18A	RT-BPHO				
19A	RT-BPHI				
20A					
21A	RT-CTLJP				
22A	CK-CHNR0				
23A	CK-CHNR1				
24A	CK-CHNR2				
25A					
26A	CK-DFCK1				
27A	CK-MCK1				
28A	CK-DMCK1				
29A	-18 V				
30A	+18 V				
31A	+ 5 V 3B				
32A	+ 5 V 3B				

```
GRP 2
-----
<-- <-- <-- CONTINUATION
=====
```

```
ELM 32B 1.862.653.00
P02 IO A-GR2 (CH 09-16)
```

PNT	SIGNAL NAME	COLOR	LV	TYPE	F
1B	GND				
2B	GND				
3B					
4B					
5B					
6B					
7B					
8B					
9B					
10B					
11B					
12B					
13B					
14B					
15B					
16B					
17B					
18B					
19B					
20B					
21B					
22B					
23B					
24B					
25B					
26B					
27B					
28B					
29B	-18 V				
30B	+18 V				
31B	+ 5 V 3B				
32B	+ 5 V 3B				

```
GRP 2
-----
<-- <-- <-- CONTINUATION
=====
```

```
ELM 32C 1.862.653.00
P02 IO A-GR2 (CH 09-16)
```

PNT	SIGNAL NAME	COLOR	LV	TYPE	F
1C	GND				
2C	GND				
3C					
4C					
5C					
6C					
7C					
8C					
9C					
10C					
11C					
12C					
13C					
14C	PI-ISCLK				
15C	PI-ISTPH				
16C	PI-ISDAT				
17C	PI-ISVAL				
18C	RT-BLAD0				
19C	RT-BLAD1				
20C					
21C	CP-RESET				
22C	CK-HSYNC				
23C	CK-BSYNC				
24C	CK-SSYNC				
25C					
26C	CKIDFCK1				
27C	CK-IMCK1				
28C	CKIDMCK1				
29C	-18 V				
30C	+18 V				
31C	+ 5 V 3B				
32C	+ 5 V 3B				

 * STUDER REVOX AG * L O C A T I O N P I N L I S T * 91/02/19 * 11:24 * P A G E 146 *

 * 1.862.010.00 D820-48 PCM TAPE - RECORDER * 90/03/21 - 00 *

 ASY 3B 1.862.609.00 BACKPANEL AAL: A-GR.2 + A-GR.3 <-- <-- <-- CONTINUATION

GRP 2 <-- <-- <-- CONTINUATION
 =====

ELM 41A	1.862.650.00	
P01 AD	A-GR2 (CH 09-16)	
PNT SIGNAL NAME	COLOR LV TYPE	F
1A GND		
2A GND		
3A MA-2D14		
4A MA-2D12		
5A MA-2D10		
6A MA-2D08		
7A MA-2D06		
8A MA-2D04		
9A MA-2D02		
10A MA-2D00		
11A MA-2HR		
12A IO-2IOAD		
13A IO-2CLKT		
14A IO-2ACK		
15A AD-2DATT		
16A IO2CLKR2		
17A IO-2LD1		
18A IO2DATR2		
19A IO-2BD2		
20A GND		
21A CO-AIN16		
22A GND		
23A CO-AIN15		
24A GND		
25A CO-AIN14		
26A GND		
27A CO-AIN13		
28A GND		
29A -18 V		
30A +18 V		
31A + 5 V 3B		
32A + 5 V 3B		

./.

GRP 2 <-- <-- <-- CONTINUATION
 =====

ELM 41B	1.862.650.00	
P01 AD	A-GR2 (CH 09-16)	
PNT SIGNAL NAME	COLOR LV TYPE	F
1B GND		
2B GND		
3B		
4B		
5B		
6B		
7B		
8B		
9B		
10B		
11B		
12B		
13B		
14B		
15B		
16B		
17B		
18B		
19B		
20B GND		
21B GND		
22B GND		
23B GND		
24B GND		
25B GND		
26B GND		
27B GND		
28B GND		
29B -18 V		
30B +18 V		
31B + 5 V 3B		
32B + 5 V 3B		

./.

GRP 2 <-- <-- <-- CONTINUATION
 =====

ELM 41C	1.862.650.00	
P01 AD	A-GR2 (CH 09-16)	
PNT SIGNAL NAME	COLOR LV TYPE	F
1C GND		
2C GND		
3C MA-2D15		
4C MA-2D13		
5C MA-2D11		
6C MA-2D09		
7C MA-2D07		
8C MA-2D05		
9C MA-2D03		
10C MA-2D01		
11C MA-2RD		
12C		
13C		
14C		
15C		
16C		
17C		
18C		
19C		
20C GND		
21C COIAIN16		
22C GND		
23C COIAIN15		
24C GND		
25C COIAIN14		
26C GND		
27C COIAIN13		
28C GND		
29C -18 V		
30C +18 V		
31C + 5 V 3B		
32C + 5 V 3B		

./.

 * STUDER REVOX AG * L O C A T I O N P I N L I S T * 91/02/19 * 11:24 * P A G E 147 *

 * 1.862.010.00 D820-48 PCM TAPE - RECORDER * 90/03/21 - 00 *

 ASY 3B 1.862.609.00 BACKPANEL AAL: A-GR.2 + A-GR.3 <-- <-- <-- CONTINUATION

GRP 2 <-- <-- <-- CONTINUATION
 =====

ELM 42A	1.862.650.00	
P02 AD	A-GR2 (CH 09-16)	
PNT SIGNAL NAME	COLOR LV TYPE	F
1A GND		
2A GND		
3A CO-AIN12		
4A GND		
5A CO-AIN11		
6A GND		
7A CO-AIN10		
8A GND		
9A CO-AIN09		
10A GND		
11A		
12A		
13A		
14A GND		
15A GND		
16A GND		
17A GND		
18A GND		
19A GND		
20A		
21A GND		
22A CK-CHNR0		
23A CK-CHNR1		
24A CK-CHNR2		
25A		
26A CK-DFCK1		
27A CK-MCK1		
28A CK-DHCK1		
29A -18 V		
30A +18 V		
31A + 5 V 3B		
32A + 5 V 3B		

./.

GRP 2 <-- <-- <-- CONTINUATION
 =====

ELM 42B	1.862.650.00	
P02 AD	A-GR2 (CH 09-16)	
PNT SIGNAL NAME	COLOR LV TYPE	F
1B GND		
2B GND		
3B GND		
4B GND		
5B GND		
6B GND		
7B GND		
8B GND		
9B GND		
10B GND		
11B		
12B		
13B		
14B		
15B		
16B		
17B		
18B		
19B		
20B		
21B		
22B		
23B		
24B		
25B		
26B		
27B		
28B		
29B -18 V		
30B +18 V		
31B + 5 V 3B		
32B + 5 V 3B		

./.

GRP 2 <-- <-- <-- CONTINUATION
 =====

ELM 42C	1.862.650.00	
P02 AD	A-GR2 (CH 09-16)	
PNT SIGNAL NAME	COLOR LV TYPE	F
1C GND		
2C GND		
3C COIAIN12		
4C GND		
5C COIAIN11		
6C GND		
7C COIAIN10		
8C GND		
9C COIAIN09		
10C GND		
11C		
12C		
13C		
14C GND		
15C GND		
16C GND		
17C GND		
18C GND		
19C GND		
20C		
21C CP-RESET		
22C CK-MSYNC		
23C GND		
24C GND		
25C		
26C CKIDFCK1		
27C CK-IMCK1		
28C CKIDMCK1		
29C -18 V		
30C +18 V		
31C + 5 V 3B		
32C + 5 V 3B		

./.

STUDER D820 MCH

```
*****
*   STUDER REVOX AG *   L O C A T I O N   P I N   L I S T   * 91/02/19 * 11:24 * PAGE 148 *
*****
*   1.862.010.00 D820-48 PCM TAPE - RECORDER * 90/03/21 - 00 *
*****
ASY 3B 1.862.609.00 BACKPANEL AAL: A-GR.2 + A-GR.3 <-- <-- <-- CONTINUATION
```

```
GRP 3
AUDIO GROUP 3
=====
ELM 11A 1.862.652.00
PO1 MAPRO A-GR3 (CH 17-24)
-----
PNT SIGNAL NAME COLOR LV TYPE F
-----
1A GND
2A GND
3A MA-3D14
4A MA-3D12
5A MA-3D10
6A MA-3D08
7A MA-3D06
8A MA-3D04
9A MA-3D02
10A MA-3D00
11A MA-3MR
12A
13A
14A
15A
16A
17A
18A
19A
20A GND
21A MA-CH17
22A MA-CH18
23A MA-CH19
24A MA-CH20
25A MA-CH21
26A MA-CH22
27A MA-CH23
28A MA-CH24
29A -18 V
30A +18 V
31A + 5 V 3B
32A + 5 V 3B
-----
./.
```

```
GRP 3 <-- <-- <-- CONTINUATION
=====
ELM 11B 1.862.652.00
PO1 MAPRO A-GR3 (CH 17-24)
-----
PNT SIGNAL NAME COLOR LV TYPE F
-----
1B GND
2B GND
3B
4B
5B
6B
7B
8B
9B
10B
11B
12B
13B
14B
15B
16B
17B
18B
19B
20B GND
21B
22B
23B
24B
25B
26B
27B
28B
29B -18 V
30B +18 V
31B + 5 V 3B
32B + 5 V 3B
-----
./.
```

```
GRP 3 <-- <-- <-- CONTINUATION
=====
ELM 11C 1.862.652.00
PO1 MAPRO A-GR3 (CH 17-24)
-----
PNT SIGNAL NAME COLOR LV TYPE F
-----
1C GND
2C GND
3C MA-3D15
4C MA-3D13
5C MA-3D11
6C MA-3D09
7C MA-3D07
8C MA-3D05
9C MA-3D03
10C MA-3D01
11C MA-3RD
12C MA-3DA12
13C MA-3DA13
14C MA-3DA14
15C MA-3DA15
16C MA-3DA16
17C MA-3DA17
18C MA-3DA18
19C MA-3DA19
20C GND
21C MA-ICH17
22C MA-ICH18
23C MA-ICH19
24C MA-ICH20
25C MA-ICH21
26C MA-ICH22
27C MA-ICH23
28C MA-ICH24
29C -18 V
30C +18 V
31C + 5 V 3B
32C + 5 V 3B
-----
./.
```

```
*****
*   STUDER REVOX AG *   L O C A T I O N   P I N   L I S T   * 91/02/19 * 11:24 * PAGE 149 *
*****
*   1.862.010.00 D820-48 PCM TAPE - RECORDER * 90/03/21 - 00 *
*****
ASY 3B 1.862.609.00 BACKPANEL AAL: A-GR.2 + A-GR.3 <-- <-- <-- CONTINUATION
```

```
GRP 3 <-- <-- <-- CONTINUATION
=====
ELM 12A 1.862.652.00
PO2 MAPRO A-GR3 (CH 17-24)
-----
PNT SIGNAL NAME COLOR LV TYPE F
-----
1A GND
2A GND
3A TA-CH17
4A TA-CH18
5A TA-CH19
6A TA-CH20
7A TA-CH21
8A TA-CH22
9A TA-CH23
10A TA-CH24
11A
12A
13A
14A PI-SCLK
15A PI-STPH
16A PI-SDAT
17A PI-SVAL
18A RT-BPH0
19A RT-BPH1
20A
21A RT-CTLJP
22A CK-CHNR0
23A CK-CHNR1
24A CK-CHNR2
25A
26A CK-DFCK1
27A CK-MCK1
28A CK-DMCK1
29A -18 V
30A +18 V
31A + 5 V 3B
32A + 5 V 3B
-----
./.
```

```
GRP 3 <-- <-- <-- CONTINUATION
=====
ELM 12B 1.862.652.00
PO2 MAPRO A-GR3 (CH 17-24)
-----
PNT SIGNAL NAME COLOR LV TYPE F
-----
1B GND
2B GND
3B
4B
5B
6B
7B
8B
9B
10B
11B
12B
13B
14B
15B
16B
17B
18B
19B
20B
21B
22B
23B
24B
25B
26B
27B
28B
29B -18 V
30B +18 V
31B + 5 V 3B
32B + 5 V 3B
-----
./.
```

```
GRP 3 <-- <-- <-- CONTINUATION
=====
ELM 12C 1.862.652.00
PO2 MAPRO A-GR3 (CH 17-24)
-----
PNT SIGNAL NAME COLOR LV TYPE F
-----
1C GND
2C GND
3C TA-ICH17
4C TA-ICH18
5C TA-ICH19
6C TA-ICH20
7C TA-ICH21
8C TA-ICH22
9C TA-ICH23
10C TA-ICH24
11C
12C
13C
14C PI-ISCLK
15C PI-ISSTPH
16C PI-ISDAT
17C PI-ISVAL
18C RT-BLAD0
19C RT-BLAD1
20C
21C CP-RESET
22C CK-MSYNC
23C CK-BSYNC
24C CK-SSYNC
25C
26C CKIDFCK1
27C CK-IMCK1
28C CKIDMCK1
29C -18 V
30C +18 V
31C + 5 V 3B
32C + 5 V 3B
-----
./.
```

 * STUDER REVOX AG * L O C A T I O N P I N L I S T * 91/02/19 * 11:24 * P A G E 150 *

 * 1.862.010.00 D820-48 PCM TAPE - RECORDER * 90/03/21 - 00 *

 ASY 3B 1.862.609.00 BACKPANEL AAL: A-GR.2 + A-GR.3 <-- <-- <-- CONTINUATION

GRP 3 <-- <-- <-- CONTINUATION

ELM 21A 1.862.651.00
 P01 DA A-GR3 (CH 17-24)

PNT	SIGNAL NAME	COLOR	LV	TYPE	F
1A	GND				
2A	GND				
3A	MA-3D14				
4A	MA-3D12				
5A	MA-3D10				
6A	MA-3D08				
7A	MA-3D06				
8A	MA-3D04				
9A	MA-3D02				
10A	MA-3D00				
11A	MA-3HR				
12A	MA-3DA12				
13A	MA-3DA13				
14A	MA-3DA14				
15A	MA-3DA15				
16A	MA-3DA16				
17A	MA-3DA17				
18A	MA-3DA18				
19A	MA-3DA19				
20A	GND				
21A	DA-OUT20				
22A	GND				
23A	DA-OUT24				
24A	GND				
25A	DA-OUT23				
26A	GND				
27A	DA-OUT19				
28A	GND				
29A	-18 V				
30A	+18 V				
31A	+ 5 V 3B				
32A	+ 5 V 3B				

./.

GRP 3 <-- <-- <-- CONTINUATION

ELM 21B 1.862.651.00
 P01 DA A-GR3 (CH 17-24)

PNT	SIGNAL NAME	COLOR	LV	TYPE	F
1B	GND				
2B	GND				
3B					
4B					
5B					
6B					
7B					
8B					
9B					
10B					
11B					
12B					
13B					
14B					
15B					
16B					
17B					
18B					
19B					
20B	GND				
21B	GND				
22B	GND				
23B	GND				
24B	GND				
25B	GND				
26B	GND				
27B	GND				
28B	GND				
29B	-18 V				
30B	+18 V				
31B	+ 5 V 3B				
32B	+ 5 V 3B				

./.

GRP 3 <-- <-- <-- CONTINUATION

ELM 21C 1.862.651.00
 P01 DA A-GR3 (CH 17-24)

PNT	SIGNAL NAME	COLOR	LV	TYPE	F
1C	GND				
2C	GND				
3C	MA-3D15				
4C	MA-3D13				
5C	MA-3D11				
6C	MA-3D09				
7C	MA-3D07				
8C	MA-3D05				
9C	MA-3D03				
10C	MA-3D01				
11C	MA-3RD				
12C	IO-3DA12				
13C	IO-3DA13				
14C	IO-3DA14				
15C	IO-3DA15				
16C	IO3CLKR1				
17C	IO-3ID2				
18C	IO3DATR1				
19C	IO-3BD1				
20C	GND				
21C	DAIOUT20				
22C	GND				
23C	DAIOUT24				
24C	GND				
25C	DAIOUT23				
26C	GND				
27C	DAIOUT19				
28C	GND				
29C	-18 V				
30C	+18 V				
31C	+ 5 V 3B				
32C	+ 5 V 3B				

./.

 * STUDER REVOX AG * L O C A T I O N P I N L I S T * 91/02/19 * 11:24 * P A G E 151 *

 * 1.862.010.00 D820-48 PCM TAPE - RECORDER * 90/03/21 - 00 *

 ASY 3B 1.862.609.00 BACKPANEL AAL: A-GR.2 + A-GR.3 <-- <-- <-- CONTINUATION

GRP 3 <-- <-- <-- CONTINUATION

ELM 22A 1.862.651.00
 P02 DA A-GR3 (CH 17-24)

PNT	SIGNAL NAME	COLOR	LV	TYPE	F
1A	GND				
2A	GND				
3A	DA-OUT18				
4A	GND				
5A	DA-OUT22				
6A	GND				
7A	DA-OUT21				
8A	GND				
9A	DA-OUT17				
10A	GND				
11A					
12A					
13A					
14A	GND				
15A	GND				
16A	GND				
17A	GND				
18A	GND				
19A	GND				
20A					
21A	GND				
22A	CK-CHNR0				
23A	CK-CHNR1				
24A	CK-CHNR2				
25A					
26A	CK-DFCK1				
27A	CK-MCK1				
28A	CK-DMCK1				
29A	-18 V				
30A	+18 V				
31A	+ 5 V 3B				
32A	+ 5 V 3B				

./.

GRP 3 <-- <-- <-- CONTINUATION

ELM 22B 1.862.651.00
 P02 DA A-GR3 (CH 17-24)

PNT	SIGNAL NAME	COLOR	LV	TYPE	F
1B	GND				
2B	GND				
3B	GND				
4B	GND				
5B	GND				
6B	GND				
7B	GND				
8B	GND				
9B	GND				
10B	GND				
11B					
12B					
13B					
14B					
15B					
16B					
17B					
18B					
19B					
20B					
21B					
22B					
23B					
24B					
25B					
26B					
27B					
28B					
29B	-18 V				
30B	+18 V				
31B	+ 5 V 3B				
32B	+ 5 V 3B				

./.

GRP 3 <-- <-- <-- CONTINUATION

ELM 22C 1.862.651.00
 P02 DA A-GR3 (CH 17-24)

PNT	SIGNAL NAME	COLOR	LV	TYPE	F
1C	GND				
2C	GND				
3C	DAIOUT18				
4C	GND				
5C	DAIOUT22				
6C	GND				
7C	DAIOUT21				
8C	GND				
9C	DAIOUT17				
10C	GND				
11C					
12C					
13C					
14C	GND				
15C	GND				
16C	GND				
17C	GND				
18C	GND				
19C	GND				
20C					
21C	CP-RESET				
22C	CK-MSYNC				
23C	GND				
24C	GND				
25C					
26C	CKIDFCK1				
27C	CK-IMCK1				
28C	CKIDMCK1				
29C	-18 V				
30C	+18 V				
31C	+ 5 V 3B				
32C	+ 5 V 3B				

./.

STUDER D820 MCH

```
*****
*   STUDER REVOX AG *   L O C A T I O N   P I N   L I S T   * 91/02/19 * 11:24 * PAGE 152 *
*****
*   1.862.010.00 D820-48 PCM TAPE - RECORDER * 90/03/21 - 00 *
*****
ASY 3B 1.862.609.00 BACKPANEL AAL: A-GR.2 + A-GR.3 <-- <-- <-- CONTINUATION
```

```
GRP 3 <-- <-- <-- CONTINUATION
=====
ELM 31A 1.862.653.00
PO1 IO A-GR3 (CH 17-24)
-----
PNT SIGNAL NAME COLOR LV TYPE F
-----
1A GND
2A GND
3A MA-3D14
4A MA-3D12
5A MA-3D10
6A MA-3D08
7A MA-3D06
8A MA-3D04
9A MA-3D02
10A MA-3D00
11A MA-3MR
12A IO-3DA12
13A IO-3DA13
14A IO-3DA14
15A IO-3DA15
16A IO3CLKR1
17A IO-3LD2
18A IO3DATR1
19A IO-3BD1
20A GND
21A
22A PP-DAT31
23A PP-DAT30
24A
25A
26A IO-DAT31
27A IO-DAT30
28A
29A -18 V
30A +18 V
31A + 5 V 3B
32A + 5 V 3B
-----
./.
```

```
GRP 3 <-- <-- <-- CONTINUATION
=====
ELM 31B 1.862.653.00
PO1 IO A-GR3 (CH 17-24)
-----
PNT SIGNAL NAME COLOR LV TYPE F
-----
1B GND
2B GND
3B
4B
5B
6B
7B
8B
9B
10B
11B
12B
13B
14B
15B
16B
17B
18B
19B
20B GND
21B
22B
23B
24B
25B
26B
27B
28B
29B -18 V
30B +18 V
31B + 5 V 3B
32B + 5 V 3B
-----
./.
```

```
GRP 3 <-- <-- <-- CONTINUATION
=====
ELM 31C 1.862.653.00
PO1 IO A-GR3 (CH 17-24)
-----
PNT SIGNAL NAME COLOR LV TYPE F
-----
1C GND
2C GND
3C MA-3D15
4C MA-3D13
5C MA-3D11
6C MA-3D09
7C MA-3D07
8C MA-3D05
9C MA-3D03
10C MA-3D01
11C MA-3RD
12C IO-3T0AD
13C IO-3CLKT
14C IO-3ACK
15C AD-3DATT
16C IO3CLKR2
17C IO-3LD1
18C IO3DATR2
19C IO-3BD2
20C GND
21C
22C PPIDAT31
23C PPIDAT30
24C
25C
26C IOIDAT31
27C IOIDAT30
28C
29C -18 V
30C +18 V
31C + 5 V 3B
32C + 5 V 3B
-----
./.
```

```
*****
*   STUDER REVOX AG *   L O C A T I O N   P I N   L I S T   * 91/02/19 * 11:24 * PAGE 153 *
*****
*   1.862.010.00 D820-48 PCM TAPE - RECORDER * 90/03/21 - 00 *
*****
ASY 3B 1.862.609.00 BACKPANEL AAL: A-GR.2 + A-GR.3 <-- <-- <-- CONTINUATION
```

```
GRP 3 <-- <-- <-- CONTINUATION
=====
ELM 32A 1.862.653.00
PO2 IO A-GR3 (CH 17-24)
-----
PNT SIGNAL NAME COLOR LV TYPE F
-----
1A GND
2A GND
3A
4A
5A
6A
7A
8A
9A
10A
11A
12A
13A
14A PI-SCLK
15A PI-STPH
16A PI-SDAT
17A PI-SVAL
18A RT-BPH0
19A RT-BPH1
20A
21A RT-CTLJP
22A CK-CHNR0
23A CK-CHNR1
24A CK-CHNR2
25A
26A CK-DFCK1
27A CK-MCK1
28A CK-DMCK1
29A -18 V
30A +18 V
31A + 5 V 3B
32A + 5 V 3B
-----
./.
```

```
GRP 3 <-- <-- <-- CONTINUATION
=====
ELM 32B 1.862.653.00
PO2 IO A-GR3 (CH 17-24)
-----
PNT SIGNAL NAME COLOR LV TYPE F
-----
1B GND
2B GND
3B
4B
5B
6B
7B
8B
9B
10B
11B
12B
13B
14B
15B
16B
17B
18B
19B
20B
21B
22B
23B
24B
25B
26B
27B
28B
29B -18 V
30B +18 V
31B + 5 V 3B
32B + 5 V 3B
-----
./.
```

```
GRP 3 <-- <-- <-- CONTINUATION
=====
ELM 32C 1.862.653.00
PO2 IO A-GR3 (CH 17-24)
-----
PNT SIGNAL NAME COLOR LV TYPE F
-----
1C GND
2C GND
3C
4C
5C
6C
7C
8C
9C
10C
11C
12C
13C
14C PI-ISCLK
15C PI-ISTPH
16C PI-ISDAT
17C PI-ISVAL
18C RT-BLAD0
19C RT-BLAD1
20C
21C CP-RESET
22C CK-MSYNC
23C CK-BSYNC
24C CK-SSYNC
25C
26C CKIDFCK1
27C CK-IMCK1
28C CKIDMCK1
29C -18 V
30C +18 V
31C + 5 V 3B
32C + 5 V 3B
-----
./.
```

 * STUDER REVOX AG * L O C A T I O N P I N L I S T * 91/02/19 * 11:24 * P A G E 154 *
 * 1.862.010.00 D820-48 PCM TAPE - RECORDER * 90/03/21 - 00 *
 ASY 3B 1.862.609.00 BACKPANEL AAL: A-GR.2 + A-GR.3 <-- <-- <-- CONTINUATION

GRP 3 <-- <-- <-- CONTINUATION

ELM 41A 1.862.650.00
 PO1 AD A-GR3 (CH 17-24)

PNT	SIGNAL NAME	COLOR	LV	TYPE	F
1A	GND				
2A	GND				
3A	MA-3D14				
4A	MA-3D12				
5A	MA-3D10				
6A	MA-3D08				
7A	MA-3D06				
8A	MA-3D04				
9A	MA-3D02				
10A	MA-3D00				
11A	MA-3HR				
12A	IO-3IOAD				
13A	IO-3CLKT				
14A	IO-3ACK				
15A	AD-3DATT				
16A	IO3CLKR2				
17A	IO-3LD1				
18A	IO3DATR2				
19A	IO-3BD2				
20A	GND				
21A	CO-AIN24				
22A	GND				
23A	CO-AIN23				
24A	GND				
25A	CO-AIN22				
26A	GND				
27A	CO-AIN21				
28A	GND				
29A	-18 V				
30A	+18 V				
31A	+ 5 V 3B				
32A	+ 5 V 3B				

GRP 3 <-- <-- <-- CONTINUATION

ELM 41B 1.862.650.00
 PO1 AD A-GR3 (CH 17-24)

PNT	SIGNAL NAME	COLOR	LV	TYPE	F
1B	GND				
2B	GND				
3B	GND				
4B	GND				
5B	GND				
6B	GND				
7B	GND				
8B	GND				
9B	GND				
10B	GND				
11B	GND				
12B	GND				
13B	GND				
14B	GND				
15B	GND				
16B	GND				
17B	GND				
18B	GND				
19B	GND				
20B	GND				
21B	GND				
22B	GND				
23B	GND				
24B	GND				
25B	GND				
26B	GND				
27B	GND				
28B	GND				
29B	-18 V				
30B	+18 V				
31B	+ 5 V 3B				
32B	+ 5 V 3B				

GRP 3 <-- <-- <-- CONTINUATION

ELM 41C 1.862.650.00
 PO1 AD A-GR3 (CH 17-24)

PNT	SIGNAL NAME	COLOR	LV	TYPE	F
1C	GND				
2C	GND				
3C	MA-3D15				
4C	MA-3D13				
5C	MA-3D11				
6C	MA-3D09				
7C	MA-3D07				
8C	MA-3D05				
9C	MA-3D03				
10C	MA-3D01				
11C	MA-3RD				
12C	GND				
13C	GND				
14C	GND				
15C	GND				
16C	GND				
17C	GND				
18C	GND				
19C	GND				
20C	GND				
21C	COIAIN24				
22C	GND				
23C	COIAIN23				
24C	GND				
25C	COIAIN22				
26C	GND				
27C	COIAIN21				
28C	GND				
29C	-18 V				
30C	+18 V				
31C	+ 5 V 3B				
32C	+ 5 V 3B				

 * STUDER REVOX AG * L O C A T I O N P I N L I S T * 91/02/19 * 11:24 * P A G E 155 *
 * 1.862.010.00 D820-48 PCM TAPE - RECORDER * 90/03/21 - 00 *
 ASY 3B 1.862.609.00 BACKPANEL AAL: A-GR.2 + A-GR.3 <-- <-- <-- CONTINUATION

GRP 3 <-- <-- <-- CONTINUATION

ELM 42A 1.862.650.00
 PO2 AD A-GR3 (CH 17-24)

PNT	SIGNAL NAME	COLOR	LV	TYPE	F
1A	GND				
2A	GND				
3A	CO-AIN20				
4A	GND				
5A	CO-AIN19				
6A	GND				
7A	CO-AIN18				
8A	GND				
9A	CO-AIN17				
10A	GND				
11A	GND				
12A	GND				
13A	GND				
14A	GND				
15A	GND				
16A	GND				
17A	GND				
18A	GND				
19A	GND				
20A	GND				
21A	GND				
22A	CK-CHNR0				
23A	CK-CHNR1				
24A	CK-CHNR2				
25A	GND				
26A	CK-DFCK1				
27A	CK-MCK1				
28A	CK-DMCK1				
29A	-18 V				
30A	+18 V				
31A	+ 5 V 3B				
32A	+ 5 V 3B				

GRP 3 <-- <-- <-- CONTINUATION

ELM 42B 1.862.650.00
 PO2 AD A-GR3 (CH 17-24)

PNT	SIGNAL NAME	COLOR	LV	TYPE	F
1B	GND				
2B	GND				
3B	GND				
4B	GND				
5B	GND				
6B	GND				
7B	GND				
8B	GND				
9B	GND				
10B	GND				
11B	GND				
12B	GND				
13B	GND				
14B	GND				
15B	GND				
16B	GND				
17B	GND				
18B	GND				
19B	GND				
20B	GND				
21B	GND				
22B	GND				
23B	GND				
24B	GND				
25B	GND				
26B	GND				
27B	GND				
28B	GND				
29B	-18 V				
30B	+18 V				
31B	+ 5 V 3B				
32B	+ 5 V 3B				

GRP 3 <-- <-- <-- CONTINUATION

ELM 42C 1.862.650.00
 PO2 AD A-GR3 (CH 17-24)

PNT	SIGNAL NAME	COLOR	LV	TYPE	F
1C	GND				
2C	GND				
3C	COIAIN20				
4C	GND				
5C	COIAIN19				
6C	GND				
7C	COIAIN18				
8C	GND				
9C	COIAIN17				
10C	GND				
11C	GND				
12C	GND				
13C	GND				
14C	GND				
15C	GND				
16C	GND				
17C	GND				
18C	GND				
19C	GND				
20C	GND				
21C	CP-RESET				
22C	CK-HSYNC				
23C	GND				
24C	GND				
25C	GND				
26C	CKIDFCK1				
27C	CK-IMCK1				
28C	CKIDMCK1				
29C	-18 V				
30C	+18 V				
31C	+ 5 V 3B				
32C	+ 5 V 3B				

STUDER D820 MCH

 * STUDER REVOX AG * L O C A T I O N P I N L I S T * 91/02/19 * 11:24 * P A G E 156 *

 * 1.862.010.00 D820-48 PCM TAPE - RECORDER * 90/03/21 - 00 *

 ASY 3B 1.862.609.00 BACKPANEL AAI: A-GR.2 + A-GR.3 <-- <-- <-- CONTINUATION

GRP 3 <-- <-- <-- CONTINUATION
 =====
 ELM 52A 1.862.670.00
 P02 BTM

 PNT SIGNAL NAME COLOR LV TYPE F

 1A GND
 2A GND
 3A
 4A
 5A
 6A
 7A
 8A
 9A
 10A
 11A
 12A
 13A
 14A PI-SCLK
 15A PI-STPH
 16A PI-SDAT
 17A PI-SVAL
 18A RT-BPH0
 19A RT-BPH1
 20A
 21A RT-CTLJP
 22A CK-CHNR0
 23A CK-CHNR1
 24A CK-CHNR2
 25A
 26A CK-DFCK1
 27A CK-MCK1
 28A CK-DMCK1
 29A -18 V
 30A +18 V
 31A + 5 V 3B
 32A + 5 V 3B

 ./.

GRP 3 <-- <-- <-- CONTINUATION
 =====
 ELM 52B 1.862.670.00
 P02 BTM

 PNT SIGNAL NAME COLOR LV TYPE F

 1B GND
 2B GND
 3B
 4B
 5B
 6B
 7B
 8B
 9B
 10B
 11B
 12B
 13B
 14B
 15B
 16B
 17B
 18B
 19B
 20B
 21B
 22B
 23B
 24B
 25B
 26B
 27B
 28B
 29B -18 V
 30B +18 V
 31B + 5 V 3B
 32B + 5 V 3B

 ./.

GRP 3 <-- <-- <-- CONTINUATION
 =====
 ELM 52C 1.862.670.00
 P02 BTM

 PNT SIGNAL NAME COLOR LV TYPE F

 1C GND
 2C GND
 3C
 4C
 5C
 6C
 7C
 8C
 9C
 10C
 11C
 12C
 13C
 14C PI-ISCLK
 15C PI-ISTPH
 16C PI-ISDAT
 17C PI-ISVAL
 18C RT-BLAD0
 19C RT-BLAD1
 20C
 21C CP-RESET
 22C CK-WSYNC
 23C CK-BSYNC
 24C CK-SSYNC
 25C
 26C CKIDFCK1
 27C CK-IMCK1
 28C CKIDMCK1
 29C -18 V
 30C +18 V
 31C + 5 V 3B
 32C + 5 V 3B

 ./.

 * STUDER REVOX AG * L O C A T I O N P I N L I S T * 91/02/19 * 11:24 * P A G E 157 *

 * 1.862.010.00 D820-48 PCM TAPE - RECORDER * 90/03/21 - 00 *

 ASY 3B 1.862.609.00 BACKPANEL AAI: A-GR.2 + A-GR.3 <-- <-- <-- CONTINUATION

GRP 10 FLATCABLE CONNECTIONS + POWER TERM.
 =====
 ELM 11 MA (MAPRO OUT) A-GR.2/CHANNEL 9-16

 PNT SIGNAL NAME COLOR LV TYPE F

 1 MA-CH09
 2 MA-ICH09
 3 MA-CH10
 4 MA-ICH10
 5 MA-CH11
 6 MA-ICH11
 7 MA-CH12
 8 MA-ICH12
 9 MA-CH13
 10 MA-ICH13
 11 MA-CH14
 12 MA-ICH14
 13 MA-CH15
 14 MA-ICH15
 15 MA-CH16
 16 MA-ICH16

 ./.

GRP 10 <-- <-- <-- CONTINUATION
 =====
 ELM 21 DA OUT A-GR.2/CH11,12,15,16

 PNT SIGNAL NAME COLOR LV TYPE F

 1 DA-OUT12
 2 DAIOU12
 3 GND
 4 GND
 5 DA-OUT16
 6 DAIOU16
 7 GND
 8 GND
 9 DA-OUT15
 10 DAIOU15
 11 GND
 12 GND
 13 DA-OUT11
 14 DAIOU11
 15 GND
 16 GND

 ./.

GRP 10 <-- <-- <-- CONTINUATION
 =====
 ELM 31 AD IN A-GR.2/CHANNEL 13-16

 PNT SIGNAL NAME COLOR LV TYPE F

 1 GND
 2 GND
 3 CO-AIN13
 4 COIAIN13
 5 GND
 6 GND
 7 CO-AIN14
 8 COIAIN14
 9 GND
 10 GND
 11 CO-AIN15
 12 COIAIN15
 13 GND
 14 GND
 15 CO-AIN16
 16 COIAIN16

 ./.

ELM 12 TA (MAPRO IN) A-GR.2/CHANNEL 9-16

 PNT SIGNAL NAME COLOR LV TYPE F

 1 TA-CH09
 2 TA-ICH09
 3 TA-CH10
 4 TA-ICH10
 5 TA-CH11
 6 TA-ICH11
 7 TA-CH12
 8 TA-ICH12
 9 TA-CH13
 10 TA-ICH13
 11 TA-CH14
 12 TA-ICH14
 13 TA-CH15
 14 TA-ICH15
 15 TA-CH16
 16 TA-ICH16

 ./.

ELM 22 DA OUT A-GR.2/CH 9,10,13,14

 PNT SIGNAL NAME COLOR LV TYPE F

 1 DA-OUT10
 2 DAIOU10
 3 GND
 4 GND
 5 DA-OUT14
 6 DAIOU14
 7 GND
 8 GND
 9 DA-OUT13
 10 DAIOU13
 11 GND
 12 GND
 13 DA-OUT09
 14 DAIOU09
 15 GND
 16 GND

 ./.

ELM 32 AD IN A-GR.2/CHANNEL 9-12

 PNT SIGNAL NAME COLOR LV TYPE F

 1 GND
 2 GND
 3 CO-AIN09
 4 COIAIN09
 5 GND
 6 GND
 7 CO-AIN10
 8 COIAIN10
 9 GND
 10 GND
 11 CO-AIN11
 12 COIAIN11
 13 GND
 14 GND
 15 CO-AIN12
 16 COIAIN12

 ./.

 * STUDER REVOX AG * L O C A T I O N P I N L I S T * 91/02/19 * 11:24 * P A G E 158 *

 * 1.862.010.00 D820-48 PCM TAPE - RECORDER * 90/03/21 - 00 *

 ASY 3B 1.862.609.00 BACKPANEL AA1: A-GR.2 + A-GR.3 <-- <-- <-- CONTINUATION

GRP 10 <-- <-- <-- CONTINUATION
 =====

ELM 41
 IO A-GR.2+3/CHANNEL 9-24

PNT	SIGNAL NAME	COLOR	LV	TYPE	F
1	IO-DAT20				
2	IOIDAT20				
3	IO-DAT21				
4	IOIDAT21				
5	PP-DAT21				
6	PPIDAT21				
7	PP-DAT20				
8	PPIDAT20				
9	PP-DAT30				
10	PPIDAT30				
11	PP-DAT31				
12	PPIDAT31				
13	IO-DAT31				
14	IOIDAT31				
15	IO-DAT30				
16	IOIDAT30				

ELM 71
 RESERVE 16-PIN

PNT	SIGNAL NAME	COLOR	LV	TYPE	F
1			RESERVE		
2			RESERVE		
3			RESERVE		
4			RESERVE		
5			RESERVE		
6			RESERVE		
7			RESERVE		
8			RESERVE		
9			RESERVE		
10			RESERVE		
11			RESERVE		
12			RESERVE		
13			RESERVE		
14			RESERVE		
15			RESERVE		
16			RESERVE		

./.

GRP 10 <-- <-- <-- CONTINUATION
 =====

ELM 72
 GENERAL BUS ASSY.3B

PNT	SIGNAL NAME	COLOR	LV	TYPE	F
1	CK-PWRSY				
2	VC-PUP1				
3	VC-PUP2				
4					
5	PI-SCLK				
6	PI-ISCLK				
7	PI-STPH				
8	PI-ISTPH				
9	PI-SDAT				
10	PI-ISDAT				
11	PI-SVAL				
12	PI-ISVAL				
13	RT-BPH0				
14	RT-BLAD0				
15	RT-BPH1				
16	RT-BLAD1				
17					
18					
19	RT-CTLJP				
20	CP-RESET				
21	CK-CHNR0				
22	CK-WSYNC				
23	CK-CHNR1				
24	CK-BSYNC				
25	CK-CHNR2				
26	CK-SSYNC				
27					
28					
29	CK-DFCK1				
30	CKIDFCK1				
31	CK-MCK1				
32	CK-IMCK1				
33	CK-DMCK1				
34	CKIDMCK1				

ELM 72X
 DUMMY CONNECTOR NOT EXISTENT

PNT	SIGNAL NAME	COLOR	LV	TYPE	F
1			DUMMY		

./.

GRP 10 <-- <-- <-- CONTINUATION
 =====

ELM 80
 POWER-TERMINAL GND

PNT	SIGNAL NAME	COLOR	LV	TYPE	F
1	GND				

ELM 81
 POWER-TERMINAL GND

PNT	SIGNAL NAME	COLOR	LV	TYPE	F
1	GND				

ELM 82
 POWER-TERMINAL GND

PNT	SIGNAL NAME	COLOR	LV	TYPE	F
1	GND				

ELM 83
 POWER-TERMINAL GND

PNT	SIGNAL NAME	COLOR	LV	TYPE	F
1	GND				

ELM 84
 POWER-TERMINAL GND

PNT	SIGNAL NAME	COLOR	LV	TYPE	F
1	GND				

 * STUDER REVOX AG * L O C A T I O N P I N L I S T * 91/02/19 * 11:24 * P A G E 159 *

 * 1.862.010.00 D820-48 PCM TAPE - RECORDER * 90/03/21 - 00 *

 ASY 3B 1.862.609.00 BACKPANEL AA1: A-GR.2 + A-GR.3 <-- <-- <-- CONTINUATION

GRP 11
 FLATCABLE CONNECTIONS + POWER TERM.
 =====

ELM 11
 MA (MAPRO OUT) A-GR.3/CHANNEL 17-24

PNT	SIGNAL NAME	COLOR	LV	TYPE	F
1	MA-CH17				
2	MA-ICH17				
3	MA-CH18				
4	MA-ICH18				
5	MA-CH19				
6	MA-ICH19				
7	MA-CH20				
8	MA-ICH20				
9	MA-CH21				
10	MA-ICH21				
11	MA-CH22				
12	MA-ICH22				
13	MA-CH23				
14	MA-ICH23				
15	MA-CH24				
16	MA-ICH24				

./.

GRP 11 <-- <-- <-- CONTINUATION
 =====

ELM 21
 DA OUT A-GR.3/CH19,20,23,24

PNT	SIGNAL NAME	COLOR	LV	TYPE	F
1	DA-OUT20				
2	DAIOUT20				
3	GND				
4	GND				
5	DA-OUT24				
6	DAIOUT24				
7	GND				
8	GND				
9	DA-OUT23				
10	DAIOUT23				
11	GND				
12	GND				
13	DA-OUT19				
14	DAIOUT19				
15	GND				
16	GND				

./.

GRP 11 <-- <-- <-- CONTINUATION
 =====

ELM 31
 AD IN A-GR.3/CHANNEL 21-24

PNT	SIGNAL NAME	COLOR	LV	TYPE	F
1	GND				
2	GND				
3	CO-AIN21				
4	COIAIN21				
5	GND				
6	GND				
7	CO-AIN22				
8	COIAIN22				
9	GND				
10	GND				
11	CO-AIN23				
12	COIAIN23				
13	GND				
14	GND				
15	CO-AIN24				
16	COIAIN24				

ELM 12
 TA (MAPRO IN) A-GR.3/CHANNEL 17-24

PNT	SIGNAL NAME	COLOR	LV	TYPE	F
1	TA-CH17				
2	TA-ICH17				
3	TA-CH18				
4	TA-ICH18				
5	TA-CH19				
6	TA-ICH19				
7	TA-CH20				
8	TA-ICH20				
9	TA-CH21				
10	TA-ICH21				
11	TA-CH22				
12	TA-ICH22				
13	TA-CH23				
14	TA-ICH23				
15	TA-CH24				
16	TA-ICH24				

./.

ELM 22
 DA OUT A-GR.3/CH17,18,21,22

PNT	SIGNAL NAME	COLOR	LV	TYPE	F
1	DA-OUT18				
2	DAIOUT18				
3	GND				
4	GND				
5	DA-OUT22				
6	DAIOUT22				
7	GND				
8	GND				
9	DA-OUT21				
10	DAIOUT21				
11	GND				
12	GND				
13	DA-OUT17				
14	DAIOUT17				
15	GND				
16	GND				

./.

ELM 32
 AD IN A-GR.3/CHANNEL 17-20

PNT	SIGNAL NAME	COLOR	LV	TYPE	F
1	GND				
2	GND				
3	CO-AIN17				
4	COIAIN17				
5	GND				
6	GND				
7	CO-AIN18				
8	COIAIN18				
9	GND				
10	GND				
11	CO-AIN19				
12	COIAIN19				
13	GND				
14	GND				
15	CO-AIN20				
16	COIAIN20				

STUDER D820 MCH

```
*****
* STUDER REVOX AG * L O C A T I O N P I N L I S T * 91/02/19 * 11:24 * P A G E 160 *
*****
* 1.862.010.00 D820-48 PCM TAPE - RECORDER * 90/03/21 - 00 *
*****
ASY 3B 1.862.609.00 BACKPANEL AA1: A-GR.2 + A-GR.3 <-- <-- <-- CONTINUATION
```

```
GRP 11 <-- <-- <-- CONTINUATION
=====
ELM 61A 1.862.601.00
5V CONVERTER 3B
-----
PNT SIGNAL NAME COLOR LV TYPE F
-----
2Z
4Z OSTABIN
6Z OSTABIN
8Z +STABINB
10Z +STABINB
12Z
14Z GND
16Z GND
18Z GND
20Z GND
22Z GND
24Z + 5 V 3B
26Z + 5 V 3B
28Z + 5 V 3B
30Z + 5 V 3B
32Z + 5 V 3B
-----
```

```
GRP 11 <-- <-- <-- CONTINUATION
=====
ELM 61C 1.862.601.00
5V CONVERTER 3B
-----
PNT SIGNAL NAME COLOR LV TYPE F
-----
2B GND
4B OSTABIN
6B OSTABIN
8B +STABINB
10B +STABINB
12B
14B GND
16B GND
18B GND
20B GND
22B GND
24B + 5 V 3B
26B + 5 V 3B
28B + 5 V 3B
30B + 5 V 3B
32B + 5 V 3B
-----
```

```
GRP 11 <-- <-- <-- CONTINUATION
=====
ELM 61E 1.862.601.00
5V CONVERTER 3B
-----
PNT SIGNAL NAME COLOR LV TYPE F
-----
2D CK-PHRSY
4D OSTABIN
6D OSTABIN
8D +STABINB
10D +STABINB
12D VC-PUP1
14D GND
16D GND
18D GND
20D GND
22D GND
24D + 5 V 3B
26D + 5 V 3B
28D + 5 V 3B
30D + 5 V 3B
32D + 5 V 3B
-----
```

```
ELM 61B
DUMMY CONNECTOR NOT EXISTENT
-----
PNT SIGNAL NAME COLOR LV TYPE F
-----
1
2 DUMMY
3 DUMMY
4 DUMMY
5 DUMMY
6 DUMMY
7 DUMMY
8 DUMMY
9 DUMMY
10 DUMMY
11 DUMMY
12 DUMMY
13 DUMMY
14 DUMMY
15 DUMMY
16 DUMMY
-----
```

```
ELM 61D
DUMMY CONNECTOR NOT EXISTENT
-----
PNT SIGNAL NAME COLOR LV TYPE F
-----
1
2 DUMMY
3 DUMMY
4 DUMMY
5 DUMMY
6 DUMMY
7 DUMMY
8 DUMMY
9 DUMMY
10 DUMMY
11 DUMMY
12 DUMMY
13 DUMMY
14 DUMMY
15 DUMMY
16 DUMMY
-----
```

```
ELM 61F
DUMMY CONNECTOR NOT EXISTENT
-----
PNT SIGNAL NAME COLOR LV TYPE F
-----
1
2 DUMMY
3 DUMMY
4 DUMMY
5 DUMMY
6 DUMMY
7 DUMMY
8 DUMMY
9 DUMMY
10 DUMMY
11 DUMMY
12 DUMMY
13 DUMMY
14 DUMMY
15 DUMMY
16 DUMMY
-----
```

```
*****
* STUDER REVOX AG * L O C A T I O N P I N L I S T * 91/02/19 * 11:24 * P A G E 161 *
*****
* 1.862.010.00 D820-48 PCM TAPE - RECORDER * 90/03/21 - 00 *
*****
ASY 3B 1.862.609.00 BACKPANEL AA1: A-GR.2 + A-GR.3 <-- <-- <-- CONTINUATION
```

```
GRP 11 <-- <-- <-- CONTINUATION
=====
ELM 62A 1.862.601.00
5V CONVERTER 3A
-----
PNT SIGNAL NAME COLOR LV TYPE F
-----
2Z
4Z OSTABIN
6Z OSTABIN
8Z +STABINC
10Z +STABINC
12Z
14Z GND
16Z GND
18Z GND
20Z GND
22Z GND
24Z + 5 V 3A
26Z + 5 V 3A
28Z + 5 V 3A
30Z + 5 V 3A
32Z + 5 V 3A
-----
```

```
GRP 11 <-- <-- <-- CONTINUATION
=====
ELM 62C 1.862.601.00
5V CONVERTER 3A
-----
PNT SIGNAL NAME COLOR LV TYPE F
-----
2B GND
4B OSTABIN
6B OSTABIN
8B +STABINC
10B +STABINC
12B
14B GND
16B GND
18B GND
20B GND
22B GND
24B + 5 V 3A
26B + 5 V 3A
28B + 5 V 3A
30B + 5 V 3A
32B + 5 V 3A
-----
```

```
GRP 11 <-- <-- <-- CONTINUATION
=====
ELM 62E 1.862.601.00
5V CONVERTER 3A
-----
PNT SIGNAL NAME COLOR LV TYPE F
-----
2D CK-PHRSY
4D OSTABIN
6D OSTABIN
8D +STABINC
10D +STABINC
12D VC-PUP2
14D GND
16D GND
18D GND
20D GND
22D GND
24D + 5 V 3A
26D + 5 V 3A
28D + 5 V 3A
30D + 5 V 3A
32D + 5 V 3A
-----
```

```
ELM 62B
DUMMY CONNECTOR NOT EXISTENT
-----
PNT SIGNAL NAME COLOR LV TYPE F
-----
1
2 DUMMY
3 DUMMY
4 DUMMY
5 DUMMY
6 DUMMY
7 DUMMY
8 DUMMY
9 DUMMY
10 DUMMY
11 DUMMY
12 DUMMY
13 DUMMY
14 DUMMY
15 DUMMY
16 DUMMY
-----
```

```
ELM 62D
DUMMY CONNECTOR NOT EXISTENT
-----
PNT SIGNAL NAME COLOR LV TYPE F
-----
1
2 DUMMY
3 DUMMY
4 DUMMY
5 DUMMY
6 DUMMY
7 DUMMY
8 DUMMY
9 DUMMY
10 DUMMY
11 DUMMY
12 DUMMY
13 DUMMY
14 DUMMY
15 DUMMY
16 DUMMY
-----
```

```
ELM 62F
DUMMY CONNECTOR NOT EXISTENT
-----
PNT SIGNAL NAME COLOR LV TYPE F
-----
1
2 DUMMY
3 DUMMY
4 DUMMY
5 DUMMY
6 DUMMY
7 DUMMY
8 DUMMY
9 DUMMY
10 DUMMY
11 DUMMY
12 DUMMY
13 DUMMY
14 DUMMY
15 DUMMY
16 DUMMY
17 DUMMY
18 DUMMY
19 DUMMY
20 DUMMY
21 DUMMY
22 DUMMY
23 DUMMY
24 DUMMY
-----
```

 * STUDER REVOX AG * L O C A T I O N P I N L I S T * 91/02/19 * 11:24 * P A G E 162 *
 * 1.862.010.00 D820-48 PCM TAPE - RECORDER * 90/03/21 - 00 *

 ASY 3B 1.862.609.00 BACKPANEL AA1: A-GR.2 + A-GR.3 <-- <-- <-- CONTINUATION

GRP 11 <-- <-- <-- CONTINUATION
 =====
 ELM 71 POWER-TERMINAL 0 V

 PNT SIGNAL NAME COLOR LV TYPE F
 1 0STABIN

 ELM 72 POWER-TERMINAL +60 V

 PNT SIGNAL NAME COLOR LV TYPE F
 1 +STABINB

 ELM 73 POWER-TERMINAL + 5 V 3B

 PNT SIGNAL NAME COLOR LV TYPE F
 1 + 5 V 3B

 ELM 74 POWER-TERMINAL 0 V

 PNT SIGNAL NAME COLOR LV TYPE F
 1 0STABIN

 ELM 75 POWER-TERMINAL +60 V

 PNT SIGNAL NAME COLOR LV TYPE F
 1 +STABINC

 ELM 76 POWER-TERMINAL + 5 V 3A

 PNT SIGNAL NAME COLOR LV TYPE F
 1 + 5 V 3A

 ./.

GRP 11 <-- <-- <-- CONTINUATION
 =====
 ELM 77 POWER-TERMINAL -18 V

 PNT SIGNAL NAME COLOR LV TYPE F
 1 -18 V

 ELM 78 POWER-TERMINAL +18 V

 PNT SIGNAL NAME COLOR LV TYPE F
 1 +18 V

 ELM 80 POWER-TERMINAL GND

 PNT SIGNAL NAME COLOR LV TYPE F
 1 GND

 ELM 81 POWER-TERMINAL GND

 PNT SIGNAL NAME COLOR LV TYPE F
 1 GND

 ELM 82 POWER-TERMINAL GND

 PNT SIGNAL NAME COLOR LV TYPE F
 1 GND

 ELM 83 POWER-TERMINAL GND

 PNT SIGNAL NAME COLOR LV TYPE F
 1 GND

 ./.

GRP 11 <-- <-- <-- CONTINUATION
 =====
 ELM 99
 EMPTY PAGE

 PNT SIGNAL NAME COLOR LV TYPE F
 1 DUMMY
 2 DUMMY
 3 DUMMY
 4 DUMMY
 5 DUMMY
 6 DUMMY
 7 DUMMY
 8 DUMMY
 9 DUMMY
 10 DUMMY
 11 DUMMY
 12 DUMMY
 13 DUMMY
 14 DUMMY
 15 DUMMY
 16 DUMMY
 17 DUMMY
 18 DUMMY
 19 DUMMY
 20 DUMMY
 21 DUMMY
 22 DUMMY
 23 DUMMY
 24 DUMMY
 25 DUMMY
 26 DUMMY
 27 DUMMY
 28 DUMMY
 29 DUMMY
 30 DUMMY
 31 DUMMY
 32 DUMMY
 33 DUMMY
 34 DUMMY
 35 DUMMY
 36 DUMMY
 37 DUMMY
 38 DUMMY
 39 DUMMY
 40 DUMMY
 41 DUMMY
 42 DUMMY
 43 DUMMY
 44 DUMMY
 45 DUMMY
 46 DUMMY
 47 DUMMY

 ./.

 * STUDER REVOX AG * L O C A T I O N P I N L I S T * 91/02/19 * 11:24 * P A G E 163 *
 * 1.862.010.00 D820-48 PCM TAPE - RECORDER * 90/03/21 - 00 *

 ASY 3B 1.862.609.00 BACKPANEL AA1: A-GR.2 + A-GR.3 <-- <-- <-- CONTINUATION

GRP 11 <-- <-- <-- CONTINUATION
 =====
 ELM 99 <-- <-- <-- CONTINUATION

 PNT SIGNAL NAME COLOR LV TYPE F

 48 DUMMY
 49 DUMMY
 50 DUMMY

STUDER D820 MCH

 * STUDER REVOX AG * L O C A T I O N P I N L I S T * 91/02/19 * 11:24 * P A G E 164 *

 * 1.862.010.00 D820-48 PCM TAPE - RECORDER * 90/03/21 - 00 *

 ASY 4A 1.862.612.00 BACKPANEL AS2: A-GR.4 + S-GR.2

GRP 2S
 SPECIAL GROUP 2
 =====
 ELM 11A 1.862.660.00
 P01 CLOCK-BOARD

 PNT SIGNAL NAME COLOR LV TYPE F

1A	GND			
2A	GND			
3A				
4A				
5A				
6A				
7A				
8A				
9A	CO-CVGN			
10A	CO-CV			
11A	CO-SM			
12A	CO-MKI			
13A	CK-MCLKO			
14A	CK-MK01			
15A	CK-MCK			
16A	CK-BSY			
17A	CK-SSY			
18A	AI-AESCK			
19A				
20A	GND			
21A				
22A				
23A	CK-RFXT			
24A	SS-RFNT			
25A				
26A				
27A				
28A				
29A	-18 V			
30A	+18 V			
31A	+ 5 V 4A			
32A	+ 5 V 4A			

 ./.

GRP 2S
 <-- <-- <-- CONTINUATION
 =====
 ELM 11B 1.862.660.00
 P01 CLOCK-BOARD

 PNT SIGNAL NAME COLOR LV TYPE F

1B	GND			
2B	GND			
3B				
4B				
5B				
6B				
7B				
8B				
9B	CO-CVGN			
10B	CO-SWGN			
11B	CO-SWGN			
12B	CO-MKIGN			
13B	CK-MK0GN			
14B	CK-MK02			
15B				
16B				
17B				
18B				
19B				
20B	GND			
21B				
22B				
23B				
24B				
25B				
26B				
27B				
28B				
29B	-18 V			
30B	+18 V			
31B	+ 5 V 4A			
32B	+ 5 V 4A			

 ./.

GRP 2S
 <-- <-- <-- CONTINUATION
 =====
 ELM 11C 1.862.660.00
 P01 CLOCK-BOARD

 PNT SIGNAL NAME COLOR LV TYPE F

1C	GND			
2C	GND			
3C	CK-RTCK2			
4C				
5C				
6C				
7C				
8C				
9C				
10C	CK-VIDFR			
11C	CO-SKIGN			
12C	CO-SKI			
13C	CK-SKO			
14C	CK-SK0GN			
15C	CK-IMCK			
16C	CK-IBSY			
17C	CK-ISSY			
18C				
19C				
20C	GND			
21C				
22C				
23C	CK-IRFXT			
24C	SS-IRFNT			
25C	CK-PWRSY			
26C				
27C				
28C				
29C	-18 V			
30C	+18 V			
31C	+ 5 V 4A			
32C	+ 5 V 4A			

 ./.

 * STUDER REVOX AG * L O C A T I O N P I N L I S T * 91/02/19 * 11:24 * P A G E 165 *

 * 1.862.010.00 D820-48 PCM TAPE - RECORDER * 90/03/21 - 00 *

 ASY 4A 1.862.612.00 BACKPANEL AS2: A-GR.4 + S-GR.2

GRP 2S
 <-- <-- <-- CONTINUATION
 =====
 ELM 12A 1.862.660.00
 P02 CLOCK-BOARD

 PNT SIGNAL NAME COLOR LV TYPE F

1A	GND			
2A	GND			
3A				
4A				
5A				
6A				
7A				
8A	CK-DMCK1			
9A				
10A	CK-DFCK1			
11A				
12A				
13A				
14A	PI-SCLK			
15A	PI-STPH			
16A	PI-SDAT			
17A	PI-SVAL			
18A	RT-BPH0			
19A	RT-BPH1			
20A				
21A	RT-CTLJP			
22A	CK-CHNR0			
23A	CK-CHNR1			
24A	CK-CHNR2			
25A	CK-MCK1			
26A	CK-DFCK2			
27A	CK-MCK2			
28A	CK-DMCK2			
29A	-18 V			
30A	+18 V			
31A	+ 5 V 4A			
32A	+ 5 V 4A			

 ./.

GRP 2S
 <-- <-- <-- CONTINUATION
 =====
 ELM 12B 1.862.660.00
 P02 CLOCK-BOARD

 PNT SIGNAL NAME COLOR LV TYPE F

1B	GND			
2B	GND			
3B				
4B				
5B				
6B				
7B				
8B				
9B				
10B				
11B				
12B				
13B				
14B				
15B				
16B				
17B				
18B				
19B				
20B				
21B				
22B				
23B				
24B				
25B				
26B				
27B				
28B				
29B	-18 V			
30B	+18 V			
31B	+ 5 V 4A			
32B	+ 5 V 4A			

 ./.

GRP 2S
 <-- <-- <-- CONTINUATION
 =====
 ELM 12C 1.862.660.00
 P02 CLOCK-BOARD

 PNT SIGNAL NAME COLOR LV TYPE F

1C	GND			
2C	GND			
3C				
4C				
5C				
6C				
7C				
8C	CKIDMCK1			
9C				
10C	CKIDFCK1			
11C				
12C				
13C				
14C	PI-ISCLK			
15C	PI-ISTPH			
16C	PI-ISDAT			
17C	PI-ISVAL			
18C	RT-BLADD			
19C	RT-BLAD1			
20C				
21C	CP-RESET			
22C	CK-MSYNC			
23C	CK-BSYNC			
24C	CK-SSYNC			
25C	CK-IMCK1			
26C	CKIDFCK2			
27C	CK-IMCK2			
28C	CKIDMCK2			
29C	-18 V			
30C	+18 V			
31C	+ 5 V 4A			
32C	+ 5 V 4A			

 ./.

 * STUDER REVOX AG * L O C A T I O N P I N L I S T * 91/02/19 * 11:24 * P A G E 166 *

 * 1.862.010.00 D820-48 PCM TAPE - RECORDER * 90/03/21 - 00 *

 ASY 4A 1.862.612.00 BACKPANEL AS2: A-GR.4 + S-GR.2 <-- <-- <-- CONTINUATION

GRP 2S <-- <-- <-- CONTINUATION
 =====

ELM 21A	1.862.662.00				
P01 PING-PONG					
PNT	SIGNAL NAME	COLOR	LV	TYPE	F
1A	GND				
2A	GND				
3A	PP-MID14				
4A	PP-MID12				
5A	PP-MID10				
6A	PP-MID08				
7A	PP-MID06				
8A	PP-MID04				
9A	PP-MID02				
10A	PP-MID00				
11A					
12A	IO-DAT40				
13A	IO-DAT41				
14A	PP-DAT41				
15A	PP-DAT40				
16A	PP-DAT10				
17A	PP-DAT11				
18A	IO-DAT11				
19A	IO-DAT10				
20A					
21A	IO-DAT20				
22A	IO-DAT21				
23A	PP-DAT21				
24A	PP-DAT20				
25A	PP-DAT30				
26A	PP-DAT31				
27A	IO-DAT31				
28A	IO-DAT30				
29A	-18 V				
30A	+18 V				
31A	+ 5 V 4A				
32A	+ 5 V 4A				

./.

GRP 2S <-- <-- <-- CONTINUATION
 =====

ELM 21B	1.862.662.00				
P01 PING-PONG					
PNT	SIGNAL NAME	COLOR	LV	TYPE	F
1B	GND				
2B	GND				
3B					
4B					
5B					
6B					
7B					
8B					
9B					
10B					
11B					
12B					
13B					
14B					
15B					
16B					
17B					
18B					
19B					
20B					
21B					
22B					
23B					
24B					
25B					
26B					
27B					
28B					
29B	-18 V				
30B	+18 V				
31B	+ 5 V 4A				
32B	+ 5 V 4A				

./.

GRP 2S <-- <-- <-- CONTINUATION
 =====

ELM 21C	1.862.662.00				
P01 PING-PONG					
PNT	SIGNAL NAME	COLOR	LV	TYPE	F
1C	GND				
2C	GND				
3C	PP-MID15				
4C	PP-MID13				
5C	PP-MID11				
6C	PP-MID09				
7C	PP-MID07				
8C	PP-MID05				
9C	PP-MID03				
10C	PP-MID01				
11C					
12C	IOIDAT40				
13C	IOIDAT41				
14C	PPIDAT41				
15C	PPIDAT40				
16C	PPIDAT10				
17C	PPIDAT11				
18C	IOIDAT11				
19C	IOIDAT10				
20C					
21C	IOIDAT20				
22C	IOIDAT21				
23C	PPIDAT21				
24C	PPIDAT20				
25C	PPIDAT30				
26C	PPIDAT31				
27C	IOIDAT31				
28C	IOIDAT30				
29C	-18 V				
30C	+18 V				
31C	+ 5 V 4A				
32C	+ 5 V 4A				

./.

 * STUDER REVOX AG * L O C A T I O N P I N L I S T * 91/02/19 * 11:24 * P A G E 167 *

 * 1.862.010.00 D820-48 PCM TAPE - RECORDER * 90/03/21 - 00 *

 ASY 4A 1.862.612.00 BACKPANEL AS2: A-GR.4 + S-GR.2 <-- <-- <-- CONTINUATION

GRP 2S <-- <-- <-- CONTINUATION
 =====

ELM 22A	1.862.662.00				
P02 PING-PONG					
PNT	SIGNAL NAME	COLOR	LV	TYPE	F
1A	GND				
2A	GND				
3A	IO-DAT50				
4A	IO-DAT51				
5A	PP-DAT51				
6A	PP-DAT50				
7A	PP-DAT60				
8A	PP-DAT61				
9A	IO-DAT61				
10A	IO-DAT60				
11A					
12A					
13A					
14A	PI-SCLK				
15A	PI-ISTPH				
16A	PI-SDAT				
17A	PI-SVAL				
18A	RT-BPH0				
19A	RT-BPH1				
20A					
21A	RT-CTLJP				
22A	CK-CHNR0				
23A	CK-CHNR1				
24A	CK-CHNR2				
25A					
26A	CK-DFCK2				
27A	CK-MCK2				
28A	CK-DMCK2				
29A	-18 V				
30A	+18 V				
31A	+ 5 V 4A				
32A	+ 5 V 4A				

./.

GRP 2S <-- <-- <-- CONTINUATION
 =====

ELM 22B	1.862.662.00				
P02 PING-PONG					
PNT	SIGNAL NAME	COLOR	LV	TYPE	F
1B	GND				
2B	GND				
3B					
4B					
5B					
6B					
7B					
8B					
9B					
10B					
11B					
12B					
13B					
14B					
15B					
16B					
17B					
18B					
19B					
20B					
21B					
22B					
23B					
24B					
25B					
26B					
27B					
28B					
29B	-18 V				
30B	+18 V				
31B	+ 5 V 4A				
32B	+ 5 V 4A				

./.

GRP 2S <-- <-- <-- CONTINUATION
 =====

ELM 22C	1.862.662.00				
P02 PING-PONG					
PNT	SIGNAL NAME	COLOR	LV	TYPE	F
1C	GND				
2C	GND				
3C	IOIDAT50				
4C	IOIDAT51				
5C	PPIDAT51				
6C	PPIDAT50				
7C	PPIDAT60				
8C	PPIDAT61				
9C	IOIDAT61				
10C	IOIDAT60				
11C	PP-IPRES				
12C					
13C					
14C	PI-ISCLK				
15C	PI-ISTPH				
16C	PI-ISDAT				
17C	PI-ISVAL				
18C	RT-BLAD0				
19C	RT-BLAD1				
20C					
21C	CP-RESET				
22C	CK-MSYNC				
23C	CK-BSYNC				
24C	CK-SSYNC				
25C					
26C	CKIDFCK2				
27C	CK-IMCK2				
28C	CKIDMCK2				
29C	-18 V				
30C	+18 V				
31C	+ 5 V 4A				
32C	+ 5 V 4A				

./.

STUDER D820 MCH

```
*****
*   STUDER REVOX AG *   L O C A T I O N   P I N   L I S T   * 91/02/19 * 11:24 * PAGE 168 *
*****
*   1.862.010.00 D820-48 PCM TAPE - RECORDER * 90/03/21 - 00 *
*****
ASY 4A   1.862.612.00 BACKPANEL AS2: A-GR.4 + S-GR.2                                <-- <-- <-- CONTINUATION
```

GRP 2S <-- <-- <-- CONTINUATION

```
=====
ELM 31A   1.862.663.00
PO1 MASTER I/O A (CH 01-24)
-----
PNT SIGNAL NAME  COLOR LV TYPE      F
-----
1A GND
2A GND
3A PP-MID14
4A PP-MID12
5A PP-MID10
6A PP-MID08
7A PP-MID06
8A PP-MID04
9A PP-MID02
10A PP-MID00
11A
12A CO-D01A
13A CO-ID01A
14A CO-D02A
15A CO-ID02A
16A CO-D03A
17A CO-ID03A
18A CO-D04A
19A CO-ID04A
20A
21A CO-D05A
22A CO-ID05A
23A CO-D06A
24A CO-ID06A
25A CO-D07A
26A CO-ID07A
27A CO-D08A
28A CO-ID08A
29A -18 V
30A +18 V
31A + 5 V 4A
32A + 5 V 4A
-----
./.
```

GRP 2S <-- <-- <-- CONTINUATION

```
=====
ELM 31B   1.862.663.00
PO1 MASTER I/O A (CH 01-24)
-----
PNT SIGNAL NAME  COLOR LV TYPE      F
-----
1B GND
2B GND
3B CO-D09A
4B CO-ID09A
5B CO-D10A
6B CO-ID10A
7B CO-D11A
8B CO-ID11A
9B CO-D12A
10B CO-ID12A
11B CO-D13A
12B CO-ID13A
13B CO-D14A
14B CO-ID14A
15B CO-D15A
16B CO-ID15A
17B CO-D16A
18B CO-ID16A
19B CO-D17A
20B
21B CO-ID17A
22B CO-D18A
23B CO-ID18A
24B CO-D19A
25B CO-ID19A
26B CO-D20A
27B CO-ID20A
28B CO-D21A
29B -18 V
30B +18 V
31B + 5 V 4A
32B + 5 V 4A
-----
./.
```

GRP 2S <-- <-- <-- CONTINUATION

```
=====
ELM 31C   1.862.663.00
PO1 MASTER I/O A (CH 01-24)
-----
PNT SIGNAL NAME  COLOR LV TYPE      F
-----
1C GND
2C GND
3C PP-MID15
4C PP-MID13
5C PP-MID11
6C PP-MID09
7C PP-MID07
8C PP-MID05
9C PP-MID03
10C PP-MID01
11C
12C
13C CO-D22A
14C CO-ID22A
15C CO-D23A
16C CO-ID23A
17C CO-D24A
18C CO-ID24A
19C
20C
21C MI-D23A
22C MI-ID23A
23C MI-D24A
24C MI-ID24A
25C
26C
27C
28C CO-ID21A
29C -18 V
30C +18 V
31C + 5 V 4A
32C + 5 V 4A
-----
./.
```

```
*****
*   STUDER REVOX AG *   L O C A T I O N   P I N   L I S T   * 91/02/19 * 11:24 * PAGE 169 *
*****
*   1.862.010.00 D820-48 PCM TAPE - RECORDER * 90/03/21 - 00 *
*****
ASY 4A   1.862.612.00 BACKPANEL AS2: A-GR.4 + S-GR.2                                <-- <-- <-- CONTINUATION
```

GRP 2S <-- <-- <-- CONTINUATION

```
=====
ELM 32A   1.862.663.00
PO2 MASTER I/O A (CH 01-24)
-----
PNT SIGNAL NAME  COLOR LV TYPE      F
-----
1A GND
2A GND
3A MI-D01A
4A MI-ID01A
5A MI-D02A
6A MI-ID02A
7A MI-D03A
8A MI-ID03A
9A MI-D04A
10A MI-ID04A
11A
12A MI-D05A
13A MI-ID05A
14A PI-SCLK
15A PI-STPH
16A PI-SDAT
17A PI-SVAL
18A RT-BPH0
19A RT-BPH1
20A
21A RT-CTLJP
22A CK-CHNR0
23A CK-CHNR1
24A CK-CHNR2
25A
26A CK-DFCK2
27A CK-MCK2
28A CK-DMCK2
29A -18 V
30A +18 V
31A + 5 V 4A
32A + 5 V 4A
-----
./.
```

GRP 2S <-- <-- <-- CONTINUATION

```
=====
ELM 32B   1.862.663.00
PO2 MASTER I/O A (CH 01-24)
-----
PNT SIGNAL NAME  COLOR LV TYPE      F
-----
1B GND
2B GND
3B MI-D06A
4B MI-ID06A
5B MI-D07A
6B MI-ID07A
7B MI-D08A
8B MI-ID08A
9B MI-D09A
10B MI-ID09A
11B GND
12B MI-D10A
13B MI-ID10A
14B MI-D11A
15B MI-ID11A
16B MI-D12A
17B MI-ID12A
18B MI-D13A
19B MI-ID13A
20B
21B MI-D14A
22B MI-ID14A
23B MI-D15A
24B MI-ID15A
25B MI-D16A
26B MI-ID16A
27B MI-D17A
28B MI-ID17A
29B -18 V
30B +18 V
31B + 5 V 4A
32B + 5 V 4A
-----
./.
```

GRP 2S <-- <-- <-- CONTINUATION

```
=====
ELM 32C   1.862.663.00
PO2 MASTER I/O A (CH 01-24)
-----
PNT SIGNAL NAME  COLOR LV TYPE      F
-----
1C GND
2C GND
3C MI-D18A
4C MI-ID18A
5C MI-D19A
6C MI-ID19A
7C MI-D20A
8C MI-ID20A
9C MI-D21A
10C MI-ID21A
11C PP-IPRES
12C MI-D22A
13C MI-ID22A
14C PI-ISCLK
15C PI-ISTPH
16C PI-ISDAT
17C PI-ISVAL
18C RT-BLAD0
19C RT-BLAD1
20C
21C CP-RESET
22C CK-HSYNC
23C CK-BSYNC
24C CK-SSYNC
25C
26C CKIDFCK2
27C CK-IMCK2
28C CKIDMCK2
29C -18 V
30C +18 V
31C + 5 V 4A
32C + 5 V 4A
-----
./.
```

 * STUDER REVOX AG * L O C A T I O N P I N L I S T * 91/02/19 * 11:24 * P A G E 170 *

 * 1.862.010.00 D820-48 PCM TAPE - RECORDER * 90/03/21 - 00 *

 ASY 4A 1.862.612.00 BACKPANEL AS2: A-GR.4 + S-GR.2 <-- <-- <-- CONTINUATION

GRP 2S <-- <-- <-- CONTINUATION
 =====

ELM 41A 1.862.663.00
 P01 MASTER I/O B (CH 25-48)

 PNT SIGNAL NAME COLOR LV TYPE F

 1A GND
 2A GND
 3A PP-MID14
 4A PP-MID12
 5A PP-MID10
 6A PP-MID08
 7A PP-MID06
 8A PP-MID04
 9A PP-MID02
 10A PP-MID00
 11A
 12A CO-D01B
 13A CO-ID01B
 14A CO-D02B
 15A CO-ID02B
 16A CO-D03B
 17A CO-ID03B
 18A CO-D04B
 19A CO-ID04B
 20A
 21A CO-D05B
 22A CO-ID05B
 23A CO-D06B
 24A CO-ID06B
 25A CO-D07B
 26A CO-ID07B
 27A CO-D08B
 28A CO-ID08B
 29A -18 V
 30A +18 V
 31A + 5 V 4A
 32A + 5 V 4A

 ./.

GRP 2S <-- <-- <-- CONTINUATION
 =====

ELM 41B 1.862.663.00
 P01 MASTER I/O B (CH 25-48)

 PNT SIGNAL NAME COLOR LV TYPE F

 1B GND
 2B GND
 3B CO-D09B
 4B CO-ID09B
 5B CO-D10B
 6B CO-ID10B
 7B CO-D11B
 8B CO-ID11B
 9B CO-D12B
 10B CO-ID12B
 11B CO-D13B
 12B CO-ID13B
 13B CO-D14B
 14B CO-ID14B
 15B CO-D15B
 16B CO-ID15B
 17B CO-D16B
 18B CO-ID16B
 19B CO-D17B
 20B
 21B CO-ID17B
 22B CO-D18B
 23B CO-ID18B
 24B CO-D19B
 25B CO-ID19B
 26B CO-D20B
 27B CO-ID20B
 28B CO-D21B
 29B -18 V
 30B +18 V
 31B + 5 V 4A
 32B + 5 V 4A

 ./.

GRP 2S <-- <-- <-- CONTINUATION
 =====

ELM 41C 1.862.663.00
 P01 MASTER I/O B (CH 25-48)

 PNT SIGNAL NAME COLOR LV TYPE F

 1C GND
 2C GND
 3C PP-MID15
 4C PP-MID13
 5C PP-MID11
 6C PP-MID09
 7C PP-MID07
 8C PP-MID05
 9C PP-MID03
 10C PP-MID01
 11C
 12C
 13C CO-D22B
 14C CO-ID22B
 15C CO-D23B
 16C CO-ID23B
 17C CO-D24B
 18C CO-ID24B
 19C
 20C
 21C MI-D23B
 22C MI-ID23B
 23C MI-D24B
 24C MI-ID24B
 25C
 26C
 27C
 28C CO-ID21B
 29C -18 V
 30C +18 V
 31C + 5 V 4A
 32C + 5 V 4A

 ./.

 * STUDER REVOX AG * L O C A T I O N P I N L I S T * 91/02/19 * 11:24 * P A G E 171 *

 * 1.862.010.00 D820-48 PCM TAPE - RECORDER * 90/03/21 - 00 *

 ASY 4A 1.862.612.00 BACKPANEL AS2: A-GR.4 + S-GR.2 <-- <-- <-- CONTINUATION

GRP 2S <-- <-- <-- CONTINUATION
 =====

ELM 42A 1.862.663.00
 P02 MASTER I/O B (CH 25-48)

 PNT SIGNAL NAME COLOR LV TYPE F

 1A GND
 2A GND
 3A MI-D01B
 4A MI-ID01B
 5A MI-D02B
 6A MI-ID02B
 7A MI-D03B
 8A MI-ID03B
 9A MI-D04B
 10A MI-ID04B
 11A
 12A MI-D05B
 13A MI-ID05B
 14A PI-SCLK
 15A PI-STPH
 16A PI-SDAT
 17A PI-SVAL
 18A RT-BPH0
 19A RT-BPH1
 20A
 21A RT-CTLJP
 22A CK-CHNR0
 23A CK-CHNR1
 24A CK-CHNR2
 25A
 26A CK-DFCK2
 27A CK-MCK2
 28A CK-DMCK2
 29A -18 V
 30A +18 V
 31A + 5 V 4A
 32A + 5 V 4A

 ./.

GRP 2S <-- <-- <-- CONTINUATION
 =====

ELM 42B 1.862.663.00
 P02 MASTER I/O B (CH 25-48)

 PNT SIGNAL NAME COLOR LV TYPE F

 1B GND
 2B GND
 3B MI-D06B
 4B MI-ID06B
 5B MI-D07B
 6B MI-ID07B
 7B MI-D08B
 8B MI-ID08B
 9B MI-D09B
 10B MI-ID09B
 11B + 5 V 4A
 12B MI-D10B
 13B MI-ID10B
 14B MI-D11B
 15B MI-ID11B
 16B MI-D12B
 17B MI-ID12B
 18B MI-D13B
 19B MI-ID13B
 20B
 21B MI-D14B
 22B MI-ID14B
 23B MI-D15B
 24B MI-ID15B
 25B MI-D16B
 26B MI-ID16B
 27B MI-D17B
 28B MI-ID17B
 29B -18 V
 30B +18 V
 31B + 5 V 4A
 32B + 5 V 4A

 ./.

GRP 2S <-- <-- <-- CONTINUATION
 =====

ELM 42C 1.862.663.00
 P02 MASTER I/O B (CH 25-48)

 PNT SIGNAL NAME COLOR LV TYPE F

 1C GND
 2C GND
 3C MI-D18B
 4C MI-ID18B
 5C MI-D19B
 6C MI-ID19B
 7C MI-D20B
 8C MI-ID20B
 9C MI-D21B
 10C MI-ID21B
 11C PP-IPRES
 12C MI-D22B
 13C MI-ID22B
 14C PI-ISCLK
 15C PI-ISSTPH
 16C PI-ISDAT
 17C PI-ISVAL
 18C RT-BLAD0
 19C RT-BLAD1
 20C
 21C CP-RESET
 22C CK-MSYNC
 23C CK-BSYNC
 24C CK-SSYNC
 25C
 26C CKIDFCK2
 27C CK-IMCK2
 28C CKIDMCK2
 29C -18 V
 30C +18 V
 31C + 5 V 4A
 32C + 5 V 4A

 ./.

STUDER D820 MCH

```
*****
*   STUDER REVOX AG *   L O C A T I O N   P I N   L I S T   * 91/02/19 * 11:24 * PAGE 172 *
*****
*   1.862.010.00 D820-48 PCM TAPE - RECORDER * 90/03/21 - 00 *
*****
ASY 4A 1.862.612.00 BACKPANEL AS2: A-GR.4 + S-GR.2 <-- <-- <-- CONTINUATION
```

```
GRP 2S <-- <-- <-- CONTINUATION
=====
ELM 51A 1.862.664.00
PO1 AES-INTERFACE
-----
PNT SIGNAL NAME COLOR LV TYPE F
-----
1A GND
2A GND
3A PP-MID14
4A PP-MID12
5A PP-MID10
6A PP-MID08
7A PP-MID06
8A PP-MID04
9A PP-MID02
10A PP-MID00
11A
12A
13A
14A
15A CO-AESIN
16A AI-AESO
17A
18A
19A
20A GND
21A
22A
23A
24A
25A
26A
27A CK-WCLKO
28A AI-AESCK
29A -18 V
30A +18 V
31A + 5 V 4A
32A + 5 V 4A
-----
./.
```

```
GRP 2S <-- <-- <-- CONTINUATION
=====
ELM 51B 1.862.664.00
PO1 AES-INTERFACE
-----
PNT SIGNAL NAME COLOR LV TYPE F
-----
1B GND
2B GND
3B
4B
5B
6B
7B
8B
9B
10B
11B
12B
13B
14B
15B
16B
17B
18B
19B
20B GND
21B
22B
23B
24B
25B
26B
27B
28B
29B -18 V
30B +18 V
31B + 5 V 4A
32B + 5 V 4A
-----
./.
```

```
GRP 2S <-- <-- <-- CONTINUATION
=====
ELM 51C 1.862.664.00
PO1 AES-INTERFACE
-----
PNT SIGNAL NAME COLOR LV TYPE F
-----
1C GND
2C GND
3C PP-MID15
4C PP-MID13
5C PP-MID11
6C PP-MID09
7C PP-MID07
8C PP-MID05
9C PP-MID03
10C PP-MID01
11C
12C
13C
14C
15C COIAESIN
16C AI-IAESO
17C
18C
19C
20C GND
21C
22C
23C
24C
25C
26C
27C
28C
29C -18 V
30C +18 V
31C + 5 V 4A
32C + 5 V 4A
-----
./.
```

```
*****
*   STUDER REVOX AG *   L O C A T I O N   P I N   L I S T   * 91/02/19 * 11:24 * PAGE 173 *
*****
*   1.862.010.00 D820-48 PCM TAPE - RECORDER * 90/03/21 - 00 *
*****
ASY 4A 1.862.612.00 BACKPANEL AS2: A-GR.4 + S-GR.2 <-- <-- <-- CONTINUATION
```

```
GRP 2S <-- <-- <-- CONTINUATION
=====
ELM 52A 1.862.664.00
PO2 AES-INTERFACE
-----
PNT SIGNAL NAME COLOR LV TYPE F
-----
1A GND
2A GND
3A
4A
5A
6A
7A
8A
9A
10A
11A
12A
13A
14A PI-SCLK
15A PI-STPH
16A PI-SDAT
17A PI-SVAL
18A RT-BPH0
19A RT-BPH1
20A
21A RT-CTLJP
22A CK-CHNR0
23A CK-CHNR1
24A CK-CHNR2
25A
26A CK-DFCK2
27A CK-MCK2
28A CK-DMCK2
29A -18 V
30A +18 V
31A + 5 V 4A
32A + 5 V 4A
-----
./.
```

```
GRP 2S <-- <-- <-- CONTINUATION
=====
ELM 52B 1.862.664.00
PO2 AES-INTERFACE
-----
PNT SIGNAL NAME COLOR LV TYPE F
-----
1B GND
2B GND
3B
4B
5B
6B
7B
8B
9B
10B
11B
12B
13B
14B
15B
16B
17B
18B
19B
20B
21B
22B
23B
24B
25B
26B
27B
28B
29B -18 V
30B +18 V
31B + 5 V 4A
32B + 5 V 4A
-----
./.
```

```
GRP 2S <-- <-- <-- CONTINUATION
=====
ELM 52C 1.862.664.00
PO2 AES-INTERFACE
-----
PNT SIGNAL NAME COLOR LV TYPE F
-----
1C GND
2C GND
3C GND
4C GND
5C AI-MADIO
6C GND
7C GND
8C AI-MADII
9C GND
10C GND
11C
12C
13C
14C PI-ISCLK
15C PI-ISTPH
16C PI-ISDAT
17C PI-ISVAL
18C RT-BLAD0
19C RT-BLAD1
20C
21C CP-RESET
22C CK-MSYNC
23C CK-BSYNC
24C CK-SSYNC
25C
26C CKIDFCK2
27C CK-IMCK2
28C CKIDMCK2
29C -18 V
30C +18 V
31C + 5 V 4A
32C + 5 V 4A
-----
./.
```

 * STUDER REVOX AG * L O C A T I O N P I N L I S T * 91/02/19 * 11:24 * P A G E 174 *

 * 1.862.010.00 D820-48 PCM TAPE - RECORDER * 90/03/21 - 00 *

 ASY 4A 1.862.612.00 BACKPANEL AS2: A-GR.4 + S-GR.2 <-- <-- <-- CONTINUATION

GRP 2S <-- <-- <-- CONTINUATION
 =====

ELM 61A 1.862.665.00
 PO1 SOUND-MEMORY

PNT	SIGNAL NAME	COLOR	LV	TYPE	F
1A	GND				
2A	GND				
3A	PP-MID14				
4A	PP-MID12				
5A	PP-MID10				
6A	PP-MID08				
7A	PP-MID06				
8A	PP-MID04				
9A	PP-MID02				
10A	PP-MID00				
11A					
12A					
13A					
14A					
15A					
16A					
17A					
18A					
19A					
20A	GND				
21A					
22A					
23A					
24A					
25A					
26A					
27A					
28A					
29A	-18 V				
30A	+18 V				
31A	+ 5 V 4A				
32A	+ 5 V 4A				

./.

GRP 2S <-- <-- <-- CONTINUATION
 =====

ELM 61B 1.862.665.00
 PO1 SOUND-MEMORY

PNT	SIGNAL NAME	COLOR	LV	TYPE	F
1B	GND				
2B	GND				
3B					
4B					
5B					
6B					
7B					
8B					
9B					
10B					
11B					
12B					
13B					
14B					
15B					
16B					
17B					
18B					
19B					
20B	GND				
21B					
22B					
23B					
24B					
25B					
26B					
27B					
28B					
29B	-18 V				
30B	+18 V				
31B	+ 5 V 4A				
32B	+ 5 V 4A				

./.

GRP 2S <-- <-- <-- CONTINUATION
 =====

ELM 61C 1.862.665.00
 PO1 SOUND-MEMORY

PNT	SIGNAL NAME	COLOR	LV	TYPE	F
1C	GND				
2C	GND				
3C	PP-MID15				
4C	PP-MID13				
5C	PP-MID11				
6C	PP-MID09				
7C	PP-MID07				
8C	PP-MID05				
9C	PP-MID03				
10C	PP-MID01				
11C					
12C					
13C					
14C					
15C					
16C					
17C					
18C					
19C					
20C	GND				
21C					
22C					
23C					
24C					
25C					
26C					
27C					
28C					
29C	-18 V				
30C	+18 V				
31C	+ 5 V 4A				
32C	+ 5 V 4A				

./.

 * STUDER REVOX AG * L O C A T I O N P I N L I S T * 91/02/19 * 11:24 * P A G E 175 *

 * 1.862.010.00 D820-48 PCM TAPE - RECORDER * 90/03/21 - 00 *

 ASY 4A 1.862.612.00 BACKPANEL AS2: A-GR.4 + S-GR.2 <-- <-- <-- CONTINUATION

GRP 2S <-- <-- <-- CONTINUATION
 =====

ELM 62A 1.862.665.00
 PO2 SOUND-MEMORY

PNT	SIGNAL NAME	COLOR	LV	TYPE	F
1A	GND				
2A	GND				
3A					
4A					
5A					
6A					
7A					
8A					
9A					
10A					
11A					
12A					
13A					
14A	PI-SCLK				
15A	PI-STPH				
16A	PI-SDAT				
17A	PI-SVAL				
18A					
19A					
20A					
21A					
22A					
23A					
24A					
25A					
26A					
27A	CK-MCK2				
28A					
29A	-18 V				
30A	+18 V				
31A	+ 5 V 4A				
32A	+ 5 V 4A				

./.

GRP 2S <-- <-- <-- CONTINUATION
 =====

ELM 62B 1.862.665.00
 PO2 SOUND-MEMORY

PNT	SIGNAL NAME	COLOR	LV	TYPE	F
1B	GND				
2B	GND				
3B					
4B					
5B					
6B					
7B					
8B					
9B					
10B					
11B					
12B					
13B					
14B					
15B					
16B					
17B					
18B					
19B					
20B					
21B					
22B					
23B					
24B					
25B					
26B					
27B					
28B					
29B	-18 V				
30B	+18 V				
31B	+ 5 V 4A				
32B	+ 5 V 4A				

./.

GRP 2S <-- <-- <-- CONTINUATION
 =====

ELM 62C 1.862.665.00
 PO2 SOUND-MEMORY

PNT	SIGNAL NAME	COLOR	LV	TYPE	F
1C	GND				
2C	GND				
3C					
4C					
5C					
6C					
7C					
8C					
9C					
10C					
11C					
12C					
13C					
14C	PI-ISCLK				
15C	PI-ISTPH				
16C	PI-ISDAT				
17C	PI-ISVAL				
18C					
19C					
20C					
21C	CP-RESET				
22C	CK-MSYNC				
23C	CK-BSYNC				
24C					
25C					
26C					
27C	CK-IMCK2				
28C					
29C	-18 V				
30C	+18 V				
31C	+ 5 V 4A				
32C	+ 5 V 4A				

./.

STUDER D820 MCH

```
*****
* STUDER REVOX AG * L O C A T I O N P I N L I S T * 91/02/19 * 11:24 * P A G E 176 *
* 1.862.010.00 D820-48 PCM TAPE - RECORDER * 90/03/21 - 00 *
* 1.862.612.00 BACKPANEL AS2: A-GR.4 + S-GR.2 <-- <-- <-- CONTINUATION
ASY 4A
```

```
GRP 4
AUDIO GROUP 4
=====
ELM 11A 1.862.652.00
PO1 MAPRO A_GR4 (CH 25-32)
-----
PNT SIGNAL NAME COLOR LV TYPE F
1A GND
2A GND
3A MA-4D14
4A MA-4D12
5A MA-4D10
6A MA-4D08
7A MA-4D06
8A MA-4D04
9A MA-4D02
10A MA-4DU0
11A MA-4WR
12A
13A
14A
15A
16A
17A
18A
19A
20A GND
21A MA-CH25
22A MA-CH26
23A MA-CH27
24A MA-CH28
25A MA-CH29
26A MA-CH30
27A MA-CH31
28A MA-CH32
29A -18 V
30A +18 V
31A + 5 V 4A
32A + 5 V 4A
-----
./.
```

```
GRP 4 <-- <-- <-- CONTINUATION
=====
ELM 11B 1.862.652.00
PO1 MAPRO A_GR4 (CH 25-32)
-----
PNT SIGNAL NAME COLOR LV TYPE F
1B GND
2B GND
3B
4B
5B
6B
7B
8B
9B
10B
11B
12B
13B
14B
15B
16B
17B
18B
19B
20B GND
21B
22B
23B
24B
25B
26B
27B
28B
29B -18 V
30B +18 V
31B + 5 V 4A
32B + 5 V 4A
-----
./.
```

```
GRP 4 <-- <-- <-- CONTINUATION
=====
ELM 11C 1.862.652.00
PO1 MAPRO A_GR4 (CH 25-32)
-----
PNT SIGNAL NAME COLOR LV TYPE F
1C GND
2C GND
3C MA-4D15
4C MA-4D13
5C MA-4D11
6C MA-4D09
7C MA-4D07
8C MA-4D05
9C MA-4D03
10C MA-4D01
11C MA-4RD
12C MA-4DA12
13C MA-4DA13
14C MA-4DA14
15C MA-4DA15
16C MA-4DA16
17C MA-4DA17
18C MA-4DA18
19C MA-4DA19
20C GND
21C MA-ICH25
22C MA-ICH26
23C MA-ICH27
24C MA-ICH28
25C MA-ICH29
26C MA-ICH30
27C MA-ICH31
28C MA-ICH32
29C -18 V
30C +18 V
31C + 5 V 4A
32C + 5 V 4A
-----
./.
```

```
*****
* STUDER REVOX AG * L O C A T I O N P I N L I S T * 91/02/19 * 11:24 * P A G E 177 *
* 1.862.010.00 D820-48 PCM TAPE - RECORDER * 90/03/21 - 00 *
* 1.862.612.00 BACKPANEL AS2: A-GR.4 + S-GR.2 <-- <-- <-- CONTINUATION
ASY 4A
```

```
GRP 4 <-- <-- <-- CONTINUATION
=====
ELM 12A 1.862.652.00
PO2 MAPRO A_GR4 (CH 25-32)
-----
PNT SIGNAL NAME COLOR LV TYPE F
1A GND
2A GND
3A TA-CH25
4A TA-CH26
5A TA-CH27
6A TA-CH28
7A TA-CH29
8A TA-CH30
9A TA-CH31
10A TA-CH32
11A
12A
13A
14A PI-SCLK
15A PI-STPH
16A PI-SDAT
17A PI-SVAL
18A RT-BPH0
19A RT-BPH1
20A
21A RT-CTLJP
22A CK-CHNR0
23A CK-CHNR1
24A CK-CHNR2
25A
26A CK-DFCK2
27A CK-MCK2
28A CK-DMCK2
29A -18 V
30A +18 V
31A + 5 V 4A
32A + 5 V 4A
-----
./.
```

```
GRP 4 <-- <-- <-- CONTINUATION
=====
ELM 12B 1.862.652.00
PO2 MAPRO A_GR4 (CH 25-32)
-----
PNT SIGNAL NAME COLOR LV TYPE F
1B GND
2B GND
3B
4B
5B
6B
7B
8B
9B
10B
11B
12B
13B
14B
15B
16B
17B
18B
19B
20B
21B
22B
23B
24B
25B
26B
27B
28B
29B -18 V
30B +18 V
31B + 5 V 4A
32B + 5 V 4A
-----
./.
```

```
GRP 4 <-- <-- <-- CONTINUATION
=====
ELM 12C 1.862.652.00
PO2 MAPRO A_GR4 (CH 25-32)
-----
PNT SIGNAL NAME COLOR LV TYPE F
1C GND
2C GND
3C TA-ICH25
4C TA-ICH26
5C TA-ICH27
6C TA-ICH28
7C TA-ICH29
8C TA-ICH30
9C TA-ICH31
10C TA-ICH32
11C
12C
13C
14C PI-ISCLK
15C PI-ISTPH
16C PI-ISDAT
17C PI-ISVAL
18C RT-BLAD0
19C RT-BLAD1
20C
21C CP-RESET
22C CK-WSYNC
23C CK-BSYNC
24C CK-SSYNC
25C
26C CKIDFCK2
27C CK-IMCK2
28C CKIDMCK2
29C -18 V
30C +18 V
31C + 5 V 4A
32C + 5 V 4A
-----
./.
```

 * STUDER REVOX AG * L O C A T I O N P I N L I S T * 91/02/19 * 11:24 * P A G E 178 *

 * 1.862.010.00 D820-48 PCM TAPE - RECORDER * 90/03/21 - 00 *

 ASY 4A 1.862.612.00 BACKPANEL AS2: A-GR.4 + S-GR.2 <-- <-- <-- CONTINUATION

GRP 4 <-- <-- <-- CONTINUATION

ELM 21A 1.862.651.00
 P01 DA A_GR4 (CH 25-32)

PNT	SIGNAL NAME	COLOR	LV	TYPE	F
1A	GND				
2A	GND				
3A	MA-4D14				
4A	MA-4D12				
5A	MA-4D10				
6A	MA-4D08				
7A	MA-4D06				
8A	MA-4D04				
9A	MA-4D02				
10A	MA-4D00				
11A	MA-4WR				
12A	MA-4DA12				
13A	MA-4DA13				
14A	MA-4DA14				
15A	MA-4DA15				
16A	MA-4DA16				
17A	MA-4DA17				
18A	MA-4DA18				
19A	MA-4DA19				
20A	GND				
21A	DA-OUT28				
22A	GND				
23A	DA-OUT32				
24A	GND				
25A	DA-OUT31				
26A	GND				
27A	DA-OUT27				
28A	GND				
29A	-18 V				
30A	+18 V				
31A	+ 5 V 4A				
32A	+ 5 V 4A				

./.

GRP 4 <-- <-- <-- CONTINUATION

ELM 21B 1.862.651.00
 P01 DA A_GR4 (CH 25-32)

PNT	SIGNAL NAME	COLOR	LV	TYPE	F
1B	GND				
2B	GND				
3B					
4B					
5B					
6B					
7B					
8B					
9B					
10B					
11B					
12B					
13B					
14B					
15B					
16B					
17B					
18B					
19B					
20B	GND				
21B	GND				
22B	GND				
23B	GND				
24B	GND				
25B	GND				
26B	GND				
27B	GND				
28B	GND				
29B	-18 V				
30B	+18 V				
31B	+ 5 V 4A				
32B	+ 5 V 4A				

./.

GRP 4 <-- <-- <-- CONTINUATION

ELM 21C 1.862.651.00
 P01 DA A_GR4 (CH 25-32)

PNT	SIGNAL NAME	COLOR	LV	TYPE	F
1C	GND				
2C	GND				
3C	MA-4D15				
4C	MA-4D13				
5C	MA-4D11				
6C	MA-4D09				
7C	MA-4D07				
8C	MA-4D05				
9C	MA-4D03				
10C	MA-4D01				
11C	MA-4RD				
12C	IO-4DA12				
13C	IO-4DA13				
14C	IO-4DA14				
15C	IO-4DA15				
16C	IO4CLKR1				
17C	IO-4LD2				
18C	IO4DATR1				
19C	IO-4BD1				
20C	GND				
21C	DAIOUT28				
22C	GND				
23C	DAIOUT32				
24C	GND				
25C	DAIOUT31				
26C	GND				
27C	DAIOUT27				
28C	GND				
29C	-18 V				
30C	+18 V				
31C	+ 5 V 4A				
32C	+ 5 V 4A				

./.

 * STUDER REVOX AG * L O C A T I O N P I N L I S T * 91/02/19 * 11:24 * P A G E 179 *

 * 1.862.010.00 D820-48 PCM TAPE - RECORDER * 90/03/21 - 00 *

 ASY 4A 1.862.612.00 BACKPANEL AS2: A-GR.4 + S-GR.2 <-- <-- <-- CONTINUATION

GRP 4 <-- <-- <-- CONTINUATION

ELM 22A 1.862.651.00
 P02 DA A_GR4 (CH 25-32)

PNT	SIGNAL NAME	COLOR	LV	TYPE	F
1A	GND				
2A	GND				
3A	DA-OUT26				
4A	GND				
5A	DA-OUT30				
6A	GND				
7A	DA-OUT29				
8A	GND				
9A	DA-OUT25				
10A	GND				
11A					
12A					
13A					
14A	GND				
15A	GND				
16A	GND				
17A	GND				
18A	GND				
19A	GND				
20A					
21A	GND				
22A	CK-CHNR0				
23A	CK-CHNR1				
24A	CK-CHNR2				
25A					
26A	CK-DFCK2				
27A	CK-MCK2				
28A	CK-DMCK2				
29A	-18 V				
30A	+18 V				
31A	+ 5 V 4A				
32A	+ 5 V 4A				

./.

GRP 4 <-- <-- <-- CONTINUATION

ELM 22B 1.862.651.00
 P02 DA A_GR4 (CH 25-32)

PNT	SIGNAL NAME	COLOR	LV	TYPE	F
1B	GND				
2B	GND				
3B	GND				
4B	GND				
5B	GND				
6B	GND				
7B	GND				
8B	GND				
9B	GND				
10B	GND				
11B					
12B					
13B					
14B					
15B					
16B					
17B					
18B					
19B					
20B					
21B					
22B					
23B					
24B					
25B					
26B					
27B					
28B					
29B	-18 V				
30B	+18 V				
31B	+ 5 V 4A				
32B	+ 5 V 4A				

./.

GRP 4 <-- <-- <-- CONTINUATION

ELM 22C 1.862.651.00
 P02 DA A_GR4 (CH 25-32)

PNT	SIGNAL NAME	COLOR	LV	TYPE	F
1C	GND				
2C	GND				
3C	DAIOUT26				
4C	GND				
5C	DAIOUT30				
6C	GND				
7C	DAIOUT29				
8C	GND				
9C	DAIOUT25				
10C	GND				
11C					
12C					
13C					
14C	GND				
15C	GND				
16C	GND				
17C	GND				
18C	GND				
19C	GND				
20C					
21C	CP-RESET				
22C	CK-MSYNC				
23C	GND				
24C	GND				
25C					
26C	CKIDFCK2				
27C	CK-IMCK2				
28C	CKIDMCK2				
29C	-18 V				
30C	+18 V				
31C	+ 5 V 4A				
32C	+ 5 V 4A				

./.

STUDER D820 MCH

```
*****
* STUDER REVOX AG * L O C A T I O N P I N L I S T * 91/02/19 * 11:24 * P A G E 180 *
*****
* 1.862.010.00 D820-48 PCM TAPE - RECORDER * 90/03/21 - 00 *
*****
ASY 4A 1.862.612.00 BACKPANEL AS2: A-GR.4 + S-GR.2 <-- <-- <-- CONTINUATION
```

```
GRP 4 <-- <-- <-- CONTINUATION
=====
ELM 31A 1.862.653.00
P01 IO A_GR4 (CH 25-32)
-----
PNT SIGNAL NAME COLOR LV TYPE F
-----
1A GND
2A GND
3A MA-4D14
4A MA-4D12
5A MA-4D10
6A MA-4D08
7A MA-4D06
8A MA-4D04
9A MA-4D02
10A MA-4D00
11A MA-4HR
12A IO-4DA12
13A IO-4DA13
14A IO-4DA14
15A IO-4DA15
16A IO4CLKR1
17A IO-4LD2
18A IO4DATR1
19A IO-4BD1
20A GND
21A
22A PP-DAT41
23A PP-DAT40
24A
25A
26A IO-DAT41
27A IO-DAT40
28A
29A -18 V
30A +18 V
31A + 5 V 4A
32A + 5 V 4A
-----
./.
```

```
GRP 4 <-- <-- <-- CONTINUATION
=====
ELM 31B 1.862.653.00
P01 IO A_GR4 (CH 25-32)
-----
PNT SIGNAL NAME COLOR LV TYPE F
-----
1B GND
2B GND
3B
4B
5B
6B
7B
8B
9B
10B
11B
12B
13B
14B
15B
16B
17B
18B
19B
20B GND
21B
22B
23B
24B
25B
26B
27B
28B
29B -18 V
30B +18 V
31B + 5 V 4A
32B + 5 V 4A
-----
./.
```

```
GRP 4 <-- <-- <-- CONTINUATION
=====
ELM 31C 1.862.653.00
P01 IO A_GR4 (CH 25-32)
-----
PNT SIGNAL NAME COLOR LV TYPE F
-----
1C GND
2C GND
3C MA-4D15
4C MA-4D13
5C MA-4D11
6C MA-4D09
7C MA-4D07
8C MA-4D05
9C MA-4D03
10C MA-4D01
11C MA-4R0
12C IO-4IOAD
13C IO-4CLKT
14C IO-4ACK
15C AD-4DATT
16C IO4CLKR2
17C IO-4LD1
18C IO4DATR2
19C IO-4BD2
20C GND
21C
22C PPIDAT41
23C PPIDAT40
24C
25C
26C IOIDAT41
27C IOIDAT40
28C
29C -18 V
30C +18 V
31C + 5 V 4A
32C + 5 V 4A
-----
./.
```

```
*****
* STUDER REVOX AG * L O C A T I O N P I N L I S T * 91/02/19 * 11:24 * P A G E 181 *
*****
* 1.862.010.00 D820-48 PCM TAPE - RECORDER * 90/03/21 - 00 *
*****
ASY 4A 1.862.612.00 BACKPANEL AS2: A-GR.4 + S-GR.2 <-- <-- <-- CONTINUATION
```

```
GRP 4 <-- <-- <-- CONTINUATION
=====
ELM 32A 1.862.653.00
P02 IO A_GR4 (CH 25-32)
-----
PNT SIGNAL NAME COLOR LV TYPE F
-----
1A GND
2A GND
3A
4A
5A
6A
7A
8A
9A
10A
11A
12A
13A
14A PI-SCLK
15A PI-STPH
16A PI-SDAT
17A PI-SVAL
18A RT-BPH0
19A RT-BPH1
20A
21A RT-CTLJP
22A CK-CHNR0
23A CK-CHNR1
24A CK-CHNR2
25A
26A CK-DFCK2
27A CK-MCK2
28A CK-DMCK2
29A -18 V
30A +18 V
31A + 5 V 4A
32A + 5 V 4A
-----
./.
```

```
GRP 4 <-- <-- <-- CONTINUATION
=====
ELM 32B 1.862.653.00
P02 IO A_GR4 (CH 25-32)
-----
PNT SIGNAL NAME COLOR LV TYPE F
-----
1B GND
2B GND
3B
4B
5B
6B
7B
8B
9B
10B
11B
12B
13B
14B
15B
16B
17B
18B
19B
20B
21B
22B
23B
24B
25B
26B
27B
28B
29B -18 V
30B +18 V
31B + 5 V 4A
32B + 5 V 4A
-----
./.
```

```
GRP 4 <-- <-- <-- CONTINUATION
=====
ELM 32C 1.862.653.00
P02 IO A_GR4 (CH 25-32)
-----
PNT SIGNAL NAME COLOR LV TYPE F
-----
1C GND
2C GND
3C
4C
5C
6C
7C
8C
9C
10C
11C
12C
13C
14C PI-ISCLK
15C PI-ISTPH
16C PI-ISDAT
17C PI-ISVAL
18C RT-BLAD0
19C RT-BLAD1
20C
21C CP-RESET
22C CK-MSYNC
23C CK-BSYNC
24C CK-SSYNC
25C
26C CKIDFCK2
27C CK-IMCK2
28C CKIDMCK2
29C -18 V
30C +18 V
31C + 5 V 4A
32C + 5 V 4A
-----
./.
```

 * STUDER REVOX AG * L O C A T I O N P I N L I S T * 91/02/19 * 11:24 * P A G E 182 *
 * 1.862.010.00 D820-48 PCM TAPE - RECORDER * 90/03/21 - 00 *
 ASY 4A 1.862.612.00 BACKPANEL AS2: A-GR.4 + S-GR.2 <-- <-- <-- CONTINUATION

GRP 4 <-- <-- <-- CONTINUATION

ELM 41A 1.862.650.00
 P01 AD A_GR4 (CH 25-32)

PNT	SIGNAL NAME	COLOR	LV	TYPE	F
1A	GND				
2A	GND				
3A	MA-4D14				
4A	MA-4D12				
5A	MA-4D10				
6A	MA-4D08				
7A	MA-4D06				
8A	MA-4D04				
9A	MA-4D02				
10A	MA-4D00				
11A	MA-4WR				
12A	IO-4IOAD				
13A	IO-4CLKT				
14A	IO-4ACK				
15A	AD-4DATT				
16A	IO4CLKR2				
17A	IO-4LD1				
18A	IO4DATR2				
19A	IO-4BD2				
20A	GND				
21A	CO-AIN32				
22A	GND				
23A	CO-AIN31				
24A	GND				
25A	CO-AIN30				
26A	GND				
27A	CO-AIN29				
28A	GND				
29A	-18 V				
30A	+18 V				
31A	+ 5 V 4A				
32A	+ 5 V 4A				

GRP 4 <-- <-- <-- CONTINUATION

ELM 41B 1.862.650.00
 P01 AD A_GR4 (CH 25-32)

PNT	SIGNAL NAME	COLOR	LV	TYPE	F
1B	GND				
2B	GND				
3B					
4B					
5B					
6B					
7B					
8B					
9B					
10B					
11B					
12B					
13B					
14B					
15B					
16B					
17B					
18B					
19B					
20B	GND				
21B	GND				
22B	GND				
23B	GND				
24B	GND				
25B	GND				
26B	GND				
27B	GND				
28B	GND				
29B	-18 V				
30B	+18 V				
31B	+ 5 V 4A				
32B	+ 5 V 4A				

GRP 4 <-- <-- <-- CONTINUATION

ELM 41C 1.862.650.00
 P01 AD A_GR4 (CH 25-32)

PNT	SIGNAL NAME	COLOR	LV	TYPE	F
1C	GND				
2C	GND				
3C	MA-4D15				
4C	MA-4D13				
5C	MA-4D11				
6C	MA-4D09				
7C	MA-4D07				
8C	MA-4D05				
9C	MA-4D03				
10C	MA-4D01				
11C	MA-4RD				
12C					
13C					
14C					
15C					
16C					
17C					
18C					
19C					
20C	GND				
21C	COIAIN32				
22C	GND				
23C	COIAIN31				
24C	GND				
25C	COIAIN30				
26C	GND				
27C	COIAIN29				
28C	GND				
29C	-18 V				
30C	+18 V				
31C	+ 5 V 4A				
32C	+ 5 V 4A				

 * STUDER REVOX AG * L O C A T I O N P I N L I S T * 91/02/19 * 11:24 * P A G E 183 *
 * 1.862.010.00 D820-48 PCM TAPE - RECORDER * 90/03/21 - 00 *
 ASY 4A 1.862.612.00 BACKPANEL AS2: A-GR.4 + S-GR.2 <-- <-- <-- CONTINUATION

GRP 4 <-- <-- <-- CONTINUATION

ELM 42A 1.862.650.00
 P02 AD A_GR4 (CH 25-32)

PNT	SIGNAL NAME	COLOR	LV	TYPE	F
1A	GND				
2A	GND				
3A	CO-AIN28				
4A	GND				
5A	CO-AIN27				
6A	GND				
7A	CO-AIN26				
8A	GND				
9A	CO-AIN25				
10A	GND				
11A					
12A					
13A					
14A	GND				
15A	GND				
16A	GND				
17A	GND				
18A	GND				
19A	GND				
20A					
21A	GND				
22A	CK-CHNR0				
23A	CK-CHNR1				
24A	CK-CHNR2				
25A					
26A	CK-DFCK2				
27A	CK-MCK2				
28A	CK-DMCK2				
29A	-18 V				
30A	+18 V				
31A	+ 5 V 4A				
32A	+ 5 V 4A				

GRP 4 <-- <-- <-- CONTINUATION

ELM 42B 1.862.650.00
 P02 AD A_GR4 (CH 25-32)

PNT	SIGNAL NAME	COLOR	LV	TYPE	F
1B	GND				
2B	GND				
3B	GND				
4B	GND				
5B	GND				
6B	GND				
7B	GND				
8B	GND				
9B	GND				
10B	GND				
11B					
12B					
13B					
14B					
15B					
16B					
17B					
18B					
19B					
20B					
21B					
22B					
23B					
24B					
25B					
26B					
27B					
28B					
29B	-18 V				
30B	+18 V				
31B	+ 5 V 4A				
32B	+ 5 V 4A				

GRP 4 <-- <-- <-- CONTINUATION

ELM 42C 1.862.650.00
 P02 AD A_GR4 (CH 25-32)

PNT	SIGNAL NAME	COLOR	LV	TYPE	F
1C	GND				
2C	GND				
3C	COIAIN28				
4C	GND				
5C	COIAIN27				
6C	GND				
7C	COIAIN26				
8C	GND				
9C	COIAIN25				
10C	GND				
11C					
12C					
13C					
14C	GND				
15C	GND				
16C	GND				
17C	GND				
18C	GND				
19C	GND				
20C					
21C	CP-RESET				
22C	CK-WSYNC				
23C	GND				
24C	GND				
25C					
26C	CKIDFCK2				
27C	CK-IMCK2				
28C	CKIDMCK2				
29C	-18 V				
30C	+18 V				
31C	+ 5 V 4A				
32C	+ 5 V 4A				

STUDER D820 MCH

 * STUDER REVOX AG * L O C A T I O N P I N L I S T * 91/02/19 * 11:24 * P A G E 184 *

 * 1.862.010.00 D820-48 PCM TAPE - RECORDER * 90/03/21 - 00 *

 ASY 4A 1.862.612.00 BACKPANEL AS2: A-GR.4 + S-GR.2 <-- <-- <-- CONTINUATION

GRP 10S
 FLATCABLE CONNECTIONS + POWER TERM.
 =====

ELM 11
 CLOCK-BOARD IN/OUT

PNT	SIGNAL NAME	COLOR	LV	TYPE	F
1	CO-SM				
2	CO-SMGND				
3	CO-SKI				
4	CO-SKIGN				
5	CO-MKI				
6	CO-MKIGN				
7	GND				
8	GND				
9	CK-SKO				
10	CK-SKOGN				
11	CK-MK01				
12	CK-MK0GN				
13	CK-MK02				
14	CK-MK0GN				
15	GND				
16	GND				

./.

GRP 10S <-- <-- <-- CONTINUATION
 =====

ELM 12
 CLOCK-CONNECTOR

PNT	SIGNAL NAME	COLOR	LV	TYPE	F
1	CK-MCK				
2	CK-IMCK				
3	CK-BSY				
4	CK-IBSY				
5	CK-SSY				
6	CK-ISSY				
7					
8					
9	RT-SSYTP				
10	RTISSYTP				
11	RT-GRID				
12	RT-IGRID				
13	TC-BPH0				
14	TC-IBPH0				
15	TC-BPH1				
16	TC-IBPH1				
17	SS-RFNT				
18	SS-IRFNT				
19	CK-RFXT				
20	CK-IRFXT				
21	T-REFEX				
22	T-IREFEX				
23	TD-MVCLK				
24	TDIMVCLK				
25	TD-MVDIR				
26	TDIMVDIR				

./.

GRP 10S <-- <-- <-- CONTINUATION
 =====

ELM 13
 RT+TC CLOCKS

PNT	SIGNAL NAME	COLOR	LV	TYPE	F
1	CK-RTCK2				
2					
3	RT-SSYTP				
4	RTISSYTP				
5	RT-GRID				
6	RT-IGRID				
7	TC-BPH0				
8	TC-IBPH0				
9	TC-BPH1				
10	TC-IBPH1				
11					
12	CK-VIDFR				
13	SS-RFNT				
14	SS-IRFNT				
15	T-REFEX				
16	T-IREFEX				
17	TD-MVCLK				
18	TDIMVCLK				
19	TD-MVDIR				
20	TDIMVDIR				
21					
22					
23					
24					
25					
26					

ELM 14
 VIDEO SYNC (BNC)

PNT	SIGNAL NAME	COLOR	LV	TYPE	F
1	CO-CV				
2	CO-CVGND				

./.

 * STUDER REVOX AG * L O C A T I O N P I N L I S T * 91/02/19 * 11:24 * P A G E 185 *

 * 1.862.010.00 D820-48 PCM TAPE - RECORDER * 90/03/21 - 00 *

 ASY 4A 1.862.612.00 BACKPANEL AS2: A-GR.4 + S-GR.2 <-- <-- <-- CONTINUATION

GRP 10S <-- <-- <-- CONTINUATION
 =====

ELM 21
 IO A-GR.1/CHANNEL 1-8

PNT	SIGNAL NAME	COLOR	LV	TYPE	F
1					
2					
3	PP-DAT10				
4	PPIDAT10				
5	PP-DAT11				
6	PPIDAT11				
7	IO-DAT11				
8	IOIDAT11				
9	IO-DAT10				
10	IOIDAT10				

ELM 21X
 DUMMY CONNECTOR NOT EXISTENT

PNT	SIGNAL NAME	COLOR	LV	TYPE	F
1				DUMMY	
2				DUMMY	
3				DUMMY	
4				DUMMY	
5				DUMMY	
6				DUMMY	
7				DUMMY	
8				DUMMY	
9				DUMMY	

./.

GRP 10S <-- <-- <-- CONTINUATION
 =====

ELM 22
 IO A-GR.2+3/CHANNEL 9-24

PNT	SIGNAL NAME	COLOR	LV	TYPE	F
1	IO-DAT20				
2	IOIDAT20				
3	IO-DAT21				
4	IOIDAT21				
5	PP-DAT21				
6	PPIDAT21				
7	PP-DAT20				
8	PPIDAT20				
9	PP-DAT30				
10	PPIDAT30				
11	PP-DAT31				
12	PPIDAT31				
13	IO-DAT31				
14	IOIDAT31				
15	IO-DAT30				
16	IOIDAT30				

ELM 22X
 DUMMY CONNECTOR NOT EXISTENT

PNT	SIGNAL NAME	COLOR	LV	TYPE	F
1				DUMMY	
2				DUMMY	
3				DUMMY	

./.

GRP 10S <-- <-- <-- CONTINUATION
 =====

ELM 23
 IO A-GR.4+5/CHANNEL 33-48

PNT	SIGNAL NAME	COLOR	LV	TYPE	F
1	IO-DAT50				
2	IOIDAT50				
3	IO-DAT51				
4	IOIDAT51				
5	PP-DAT51				
6	PPIDAT51				
7	PP-DAT50				
8	PPIDAT50				
9	PP-DAT60				
10	PPIDAT60				
11	PP-DAT61				
12	PPIDAT61				
13	IO-DAT61				
14	IOIDAT61				
15	IO-DAT60				
16	IOIDAT60				

./.

 * STUDER REVOX AG * L O C A T I O N P I N L I S T * 91/02/19 * 11:24 * P A G E 186 *

 * 1.862.010.00 D820-48 PCM TAPE - RECORDER * 90/03/21 - 00 *

 ASY 4A 1.862.612.00 BACKPANEL AS2: A-GR.4 + S-GR.2 <-- <-- <-- CONTINUATION

GRP 10S
 <-- <-- <-- CONTINUATION
 =====

ELM 31		CHANNEL 14-24	
MIO A IN/2			
PNT	SIGNAL NAME	COLOR LV TYPE	F
1	CO-D22A		
2	CO-ID22A		
3	CO-D14A		
4	CO-ID14A		
5	CO-D23A		
6	CO-ID23A		
7	CO-D15A		
8	CO-ID15A		
9	CO-D24A		
10	CO-ID24A		
11	CO-D16A		
12	CO-ID16A		
13	CO-D17A		
14	CO-ID17A		
15	CO-D18A		
16	CO-ID18A		
17	CO-D19A		
18	CO-ID19A		
19	CO-D20A		
20	CO-ID20A		
21	CO-D21A		
22	CO-ID21A		
23			
24			
25			
26			

./.

GRP 10S
 <-- <-- <-- CONTINUATION
 =====

ELM 32		CHANNEL 1-13	
MIO A IN/1			
PNT	SIGNAL NAME	COLOR LV TYPE	F
1	CO-D01A		
2	CO-ID01A		
3	CO-D02A		
4	CO-ID02A		
5	CO-D03A		
6	CO-ID03A		
7	CO-D04A		
8	CO-ID04A		
9	CO-D05A		
10	CO-ID05A		
11	CO-D06A		
12	CO-ID06A		
13	CO-D07A		
14	CO-ID07A		
15	CO-D08A		
16	CO-ID08A		
17	CO-D13A		
18	CO-ID13A		
19	CO-D12A		
20	CO-ID12A		
21	CO-D11A		
22	CO-ID11A		
23	CO-D10A		
24	CO-ID10A		
25	CO-D09A		
26	CO-ID09A		

./.

GRP 10S
 <-- <-- <-- CONTINUATION
 =====

ELM 33		CHANNEL 1-13	
MIO A OUT/1			
PNT	SIGNAL NAME	COLOR LV TYPE	F
1	MI-ID01A		
2	MI-D01A		
3	MI-D06A		
4	MI-ID06A		
5	MI-ID02A		
6	MI-D02A		
7	MI-D07A		
8	MI-ID07A		
9	MI-ID03A		
10	MI-D03A		
11	MI-D08A		
12	MI-ID08A		
13	MI-ID04A		
14	MI-D04A		
15	MI-D09A		
16	MI-ID09A		
17	MI-ID05A		
18	MI-D05A		
19	MI-D10A		
20	MI-ID10A		
21	MI-D11A		
22	MI-ID11A		
23	MI-D12A		
24	MI-ID12A		
25	MI-D13A		
26	MI-ID13A		

./.

 * STUDER REVOX AG * L O C A T I O N P I N L I S T * 91/02/19 * 11:24 * P A G E 187 *

 * 1.862.010.00 D820-48 PCM TAPE - RECORDER * 90/03/21 - 00 *

 ASY 4A 1.862.612.00 BACKPANEL AS2: A-GR.4 + S-GR.2 <-- <-- <-- CONTINUATION

GRP 10S
 <-- <-- <-- CONTINUATION
 =====

ELM 34		CHANNEL 14-24	
MIO A OUT/2			
PNT	SIGNAL NAME	COLOR LV TYPE	F
1	MI-D24A		
2	MI-ID24A		
3	MI-D23A		
4	MI-ID23A		
5	MI-D18A		
6	MI-ID18A		
7	MI-D19A		
8	MI-ID19A		
9	MI-D20A		
10	MI-ID20A		
11	MI-D21A		
12	MI-ID21A		
13	MI-D22A		
14	MI-ID22A		
15	MI-D14A		
16	MI-ID14A		
17	MI-D15A		
18	MI-ID15A		
19	MI-D16A		
20	MI-ID16A		
21	MI-D17A		
22	MI-ID17A		
23			
24			
25			
26			

./.

GRP 10S
 <-- <-- <-- CONTINUATION
 =====

ELM 41		CHANNEL 38-48	
MIO B IN/2			
PNT	SIGNAL NAME	COLOR LV TYPE	F
1	CO-D22B		
2	CO-ID22B		
3	CO-D14B		
4	CO-ID14B		
5	CO-D23B		
6	CO-ID23B		
7	CO-D15B		
8	CO-ID15B		
9	CO-D24B		
10	CO-ID24B		
11	CO-D16B		
12	CO-ID16B		
13	CO-D17B		
14	CO-ID17B		
15	CO-D18B		
16	CO-ID18B		
17	CO-D19B		
18	CO-ID19B		
19	CO-D20B		
20	CO-ID20B		
21	CO-D21B		
22	CO-ID21B		
23			
24			
25			
26			

./.

GRP 10S
 <-- <-- <-- CONTINUATION
 =====

ELM 42		CHANNEL 25-37	
MIO B IN/1			
PNT	SIGNAL NAME	COLOR LV TYPE	F
1	CO-D01B		
2	CO-ID01B		
3	CO-D02B		
4	CO-ID02B		
5	CO-D03B		
6	CO-ID03B		
7	CO-D04B		
8	CO-ID04B		
9	CO-D05B		
10	CO-ID05B		
11	CO-D06B		
12	CO-ID06B		
13	CO-D07B		
14	CO-ID07B		
15	CO-D08B		
16	CO-ID08B		
17	CO-D13B		
18	CO-ID13B		
19	CO-D12B		
20	CO-ID12B		
21	CO-D11B		
22	CO-ID11B		
23	CO-D10B		
24	CO-ID10B		
25	CO-D09B		
26	CO-ID09B		

./.

STUDER D820 MCH

```
*****
*   STUDER REVOX AG *   L O C A T I O N   P I N   L I S T   * 91/02/19 * 11:24 * PAGE 188 *
*****
*   1.862.010.00 D820-48 PCM TAPE - RECORDER * 90/03/21 - 00 *
*****
ASY 4A 1.862.612.00 BACKPANEL AS2: A-GR.4 + S-GR.2 <-- <-- <-- CONTINUATION
```

GRP 10S <-- <-- <-- CONTINUATION
=====

ELM 43
MIO B OUT/1 CHANNEL 25-37

PNT	SIGNAL NAME	COLOR	LV	TYPE	F
1	MI-ID01B				
2	MI-D01B				
3	MI-D06B				
4	MI-ID06B				
5	MI-ID02B				
6	MI-D02B				
7	MI-D07B				
8	MI-ID07B				
9	MI-ID03B				
10	MI-D03B				
11	MI-D08B				
12	MI-ID08B				
13	MI-ID04B				
14	MI-D04B				
15	MI-D09B				
16	MI-ID09B				
17	MI-ID05B				
18	MI-D05B				
19	MI-D10B				
20	MI-ID10B				
21	MI-D11B				
22	MI-ID11B				
23	MI-D12B				
24	MI-ID12B				
25	MI-D13B				
26	MI-ID13B				

GRP 10S <-- <-- <-- CONTINUATION
=====

ELM 44
MIO B OUT/2 CHANNEL 38-48

PNT	SIGNAL NAME	COLOR	LV	TYPE	F
1	MI-D24B				
2	MI-ID24B				
3	MI-D23B				
4	MI-ID23B				
5	MI-D18B				
6	MI-ID18B				
7	MI-D19B				
8	MI-ID19B				
9	MI-D20B				
10	MI-ID20B				
11	MI-D21B				
12	MI-ID21B				
13	MI-D22B				
14	MI-ID22B				
15	MI-D14B				
16	MI-ID14B				
17	MI-D15B				
18	MI-ID15B				
19	MI-D16B				
20	MI-ID16B				
21	MI-D17B				
22	MI-ID17B				
23					
24					
25					
26					

GRP 10S <-- <-- <-- CONTINUATION
=====

ELM 44X
DUMMY CONNECTOR NOT EXISTENT

PNT	SIGNAL NAME	COLOR	LV	TYPE	F
1				DUMMY	
2				DUMMY	
3				DUMMY	
4				DUMMY	
5				DUMMY	
6				DUMMY	
7				DUMMY	
8				DUMMY	
9				DUMMY	
10				DUMMY	
11				DUMMY	
12				DUMMY	
13				DUMMY	
14				DUMMY	
15				DUMMY	
16				DUMMY	
17				DUMMY	
18				DUMMY	
19				DUMMY	
20				DUMMY	
21				DUMMY	
22				DUMMY	
23				DUMMY	
24				DUMMY	
25				DUMMY	
26				DUMMY	
27				DUMMY	
28				DUMMY	
29				DUMMY	
30				DUMMY	
31				DUMMY	
32				DUMMY	
33				DUMMY	
34				DUMMY	
35				DUMMY	
36				DUMMY	
37				DUMMY	
38				DUMMY	
39				DUMMY	
40				DUMMY	

```
*****
*   STUDER REVOX AG *   L O C A T I O N   P I N   L I S T   * 91/02/19 * 11:24 * PAGE 189 *
*****
*   1.862.010.00 D820-48 PCM TAPE - RECORDER * 90/03/21 - 00 *
*****
ASY 4A 1.862.612.00 BACKPANEL AS2: A-GR.4 + S-GR.2 <-- <-- <-- CONTINUATION
```

GRP 10S <-- <-- <-- CONTINUATION
=====

ELM 51
AES 2-CHANNEL INTERFACE

PNT	SIGNAL NAME	COLOR	LV	TYPE	F
1	CO-AESIN				
2	COIAESIN				
3	AI-AESO				
4	AI-IAESO				
5					
6					
7					
8					
9					
10					

GRP 10S <-- <-- <-- CONTINUATION
=====

ELM 52
MADI DATA OUT (BNC)

PNT	SIGNAL NAME	COLOR	LV	TYPE	F
1	AI-MADIO				
2	GND				

ELM 53
MADI DATA IN (BNC)

PNT	SIGNAL NAME	COLOR	LV	TYPE	F
1	AI-MADII				
2	GND				

GRP 10S <-- <-- <-- CONTINUATION
=====

ELM 56
RESERVE 10-PIN

PNT	SIGNAL NAME	COLOR	LV	TYPE	F
1					
2					
3					
4					
5					
6					
7					
8					
9					
10					

ELM 51X
DUMMY CONNECTOR NOT EXISTENT

PNT	SIGNAL NAME	COLOR	LV	TYPE	F
1				DUMMY	
2				DUMMY	
3				DUMMY	
4				DUMMY	
5				DUMMY	
6				DUMMY	
7				DUMMY	
8				DUMMY	
9				DUMMY	
10				DUMMY	
11				DUMMY	
12				DUMMY	
13				DUMMY	
14				DUMMY	
15				DUMMY	
16				DUMMY	
17				DUMMY	
18				DUMMY	
19				DUMMY	
20				DUMMY	
21				DUMMY	
22				DUMMY	
23				DUMMY	
24				DUMMY	
25				DUMMY	

ELM 53X
DUMMY CONNECTOR NOT EXISTENT

PNT	SIGNAL NAME	COLOR	LV	TYPE	F
1				DUMMY	
2				DUMMY	
3				DUMMY	
4				DUMMY	
5				DUMMY	
6				DUMMY	
7				DUMMY	
8				DUMMY	
9				DUMMY	
10				DUMMY	
11				DUMMY	
12				DUMMY	
13				DUMMY	
14				DUMMY	
15				DUMMY	
16				DUMMY	
17				DUMMY	
18				DUMMY	
19				DUMMY	
20				DUMMY	
21				DUMMY	
22				DUMMY	
23				DUMMY	
24				DUMMY	

ELM 56X
DUMMY CONNECTOR NOT EXISTENT

PNT	SIGNAL NAME	COLOR	LV	TYPE	F
1				DUMMY	
2				DUMMY	
3				DUMMY	
4				DUMMY	
5				DUMMY	
6				DUMMY	
7				DUMMY	
8				DUMMY	
9				DUMMY	
10				DUMMY	
11				DUMMY	
12				DUMMY	
13				DUMMY	
14				DUMMY	
15				DUMMY	
16				DUMMY	
17				DUMMY	

ELM 57
POWER TERMINAL + 5 V

PNT	SIGNAL NAME	COLOR	LV	TYPE	F
1	+ 5 V 4A				

 * STUDER REVOX AG * L O C A T I O N P I N L I S T * 91/02/19 * 11:24 * P A G E 190 *
 * 1.862.010.00 D820-48 PCM TAPE - RECORDER * 90/03/21 - 00 *
 ASY 4A 1.862.612.00 BACKPANEL AS2: A-GR.4 + S-GR.2 <-- <-- <-- CONTINUATION

GRP 10S <-- <-- <-- CONTINUATION
 =====
 ELM 61A 1.862.600.00
 PO1 18 V CONVERTER POS

 PNT SIGNAL NAME COLOR LV TYPE F

 2Z
 4Z
 6Z
 8Z OSTABIN
 10Z OSTABIN
 12Z OSTABIN
 14Z OSTABIN
 16Z
 18Z
 20Z
 22Z
 24Z
 26Z +STABIND
 28Z +STABIND
 30Z +STABIND
 32Z +STABIND

GRP 10S <-- <-- <-- CONTINUATION
 =====
 ELM 61C 1.862.600.00
 PO1 18 V CONVERTER POS

 PNT SIGNAL NAME COLOR LV TYPE F

 2B
 4B
 6B
 8B OSTABIN
 10B OSTABIN
 12B OSTABIN
 14B OSTABIN
 16B
 18B
 20B
 22B
 24B
 26B +STABIND
 28B +STABIND
 30B +STABIND
 32B +STABIND

GRP 10S <-- <-- <-- CONTINUATION
 =====
 ELM 61E 1.862.600.00
 PO1 18 V CONVERTER POS

 PNT SIGNAL NAME COLOR LV TYPE F

 2D GND
 4D CK-PMRSY
 6D
 8D OSTABIN
 10D OSTABIN
 12D OSTABIN
 14D OSTABIN
 16D
 18D
 20D
 22D
 24D
 26D +STABIND
 28D +STABIND
 30D +STABIND
 32D +STABIND

ELM 61B
 DUMMY CONNECTOR NOT EXISTENT

 PNT SIGNAL NAME COLOR LV TYPE F

 1 DUMMY
 2 DUMMY
 3 DUMMY
 4 DUMMY
 5 DUMMY
 6 DUMMY
 7 DUMMY
 8 DUMMY
 9 DUMMY
 10 DUMMY
 11 DUMMY
 12 DUMMY
 13 DUMMY
 14 DUMMY
 15 DUMMY
 16 DUMMY

ELM 61D
 DUMMY CONNECTOR NOT EXISTENT

 PNT SIGNAL NAME COLOR LV TYPE F

 1 DUMMY
 2 DUMMY
 3 DUMMY
 4 DUMMY
 5 DUMMY
 6 DUMMY
 7 DUMMY
 8 DUMMY
 9 DUMMY
 10 DUMMY
 11 DUMMY
 12 DUMMY
 13 DUMMY
 14 DUMMY
 15 DUMMY
 16 DUMMY

ELM 61F
 DUMMY CONNECTOR NOT EXISTENT

 PNT SIGNAL NAME COLOR LV TYPE F

 1 DUMMY
 2 DUMMY
 3 DUMMY
 4 DUMMY
 5 DUMMY
 6 DUMMY
 7 DUMMY
 8 DUMMY
 9 DUMMY
 10 DUMMY
 11 DUMMY
 12 DUMMY
 13 DUMMY
 14 DUMMY
 15 DUMMY
 16 DUMMY

 * STUDER REVOX AG * L O C A T I O N P I N L I S T * 91/02/19 * 11:24 * P A G E 191 *
 * 1.862.010.00 D820-48 PCM TAPE - RECORDER * 90/03/21 - 00 *
 ASY 4A 1.862.612.00 BACKPANEL AS2: A-GR.4 + S-GR.2 <-- <-- <-- CONTINUATION

GRP 10S <-- <-- <-- CONTINUATION
 =====
 ELM 62A 1.862.600.00
 PO2 18 V CONVERTER POS

 PNT SIGNAL NAME COLOR LV TYPE F

 2Z GND
 4Z GND
 6Z GND
 8Z GND
 10Z
 12Z
 14Z
 16Z
 18Z +18 V
 20Z +18 V
 22Z +18 V
 24Z +18 V
 26Z
 28Z
 30Z
 32Z

GRP 10S <-- <-- <-- CONTINUATION
 =====
 ELM 62C 1.862.600.00
 PO2 18 V CONVERTER POS

 PNT SIGNAL NAME COLOR LV TYPE F

 2B GND
 4B GND
 6B GND
 8B GND
 10B
 12B
 14B
 16B
 18B +18 V
 20B +18 V
 22B +18 V
 24B +18 V
 26B
 28B
 30B
 32B

GRP 10S <-- <-- <-- CONTINUATION
 =====
 ELM 62E 1.862.600.00
 PO2 18 V CONVERTER POS

 PNT SIGNAL NAME COLOR LV TYPE F

 2D GND
 4D GND
 6D GND
 8D GND
 10D
 12D
 14D
 16D
 18D +18 V
 20D +18 V
 22D +18 V
 24D +18 V
 26D
 28D + 5 V 4A
 30D GND
 32D VC-PUP6

ELM 62B
 DUMMY CONNECTOR NOT EXISTENT

 PNT SIGNAL NAME COLOR LV TYPE F

 1 DUMMY
 2 DUMMY
 3 DUMMY
 4 DUMMY
 5 DUMMY
 6 DUMMY
 7 DUMMY
 8 DUMMY
 9 DUMMY
 10 DUMMY
 11 DUMMY
 12 DUMMY
 13 DUMMY
 14 DUMMY
 15 DUMMY
 16 DUMMY

ELM 62D
 DUMMY CONNECTOR NOT EXISTENT

 PNT SIGNAL NAME COLOR LV TYPE F

 1 DUMMY
 2 DUMMY
 3 DUMMY
 4 DUMMY
 5 DUMMY
 6 DUMMY
 7 DUMMY
 8 DUMMY
 9 DUMMY
 10 DUMMY
 11 DUMMY
 12 DUMMY
 13 DUMMY
 14 DUMMY
 15 DUMMY
 16 DUMMY

ELM 62F
 DUMMY CONNECTOR NOT EXISTENT

 PNT SIGNAL NAME COLOR LV TYPE F

 1 DUMMY
 2 DUMMY
 3 DUMMY
 4 DUMMY
 5 DUMMY
 6 DUMMY
 7 DUMMY
 8 DUMMY
 9 DUMMY
 10 DUMMY
 11 DUMMY
 12 DUMMY
 13 DUMMY
 14 DUMMY
 15 DUMMY
 16 DUMMY
 17 DUMMY
 18 DUMMY
 19 DUMMY
 20 DUMMY
 21 DUMMY
 22 DUMMY
 23 DUMMY
 24 DUMMY

STUDER D820 MCH

 * STUDER REVOX AG * L O C A T I O N P I N L I S T * 91/02/19 * 11:24 * P A G E 192 *
 * 1.862.010.00 D820-48 PCM TAPE - RECORDER * 90/03/21 - 00 *

 ASY 4A 1.862.612.00 BACKPANEL AS2: A-GR.4 + S-GR.2 <-- <-- <-- CONTINUATION

GRP 10S <-- <-- <-- CONTINUATION
 =====

ELM 71
 POWER TERMINAL 0 V

 PNT SIGNAL NAME COLOR LV TYPE F
 1 OSTABIN

ELM 72
 POWER TERMINAL +60 V

 PNT SIGNAL NAME COLOR LV TYPE F
 1 +STABIND

ELM 73
 POWER TERMINAL -18 V

 PNT SIGNAL NAME COLOR LV TYPE F
 1 -18 V

ELM 74
 POWER TERMINAL +18 V

 PNT SIGNAL NAME COLOR LV TYPE F
 1 +18 V

ELM 75
 POWER TERMINAL +18 V

 PNT SIGNAL NAME COLOR LV TYPE F
 1 +18 V

ELM 76
 POWER TERMINAL +18 V

 PNT SIGNAL NAME COLOR LV TYPE F
 1 +18 V

GRP 10S <-- <-- <-- CONTINUATION
 =====

ELM 80
 POWER TERMINAL GND

 PNT SIGNAL NAME COLOR LV TYPE F
 1 GND

ELM 81
 POWER TERMINAL GND

 PNT SIGNAL NAME COLOR LV TYPE F
 1 GND

ELM 82
 POWER TERMINAL GND

 PNT SIGNAL NAME COLOR LV TYPE F
 1 GND

ELM 83
 POWER TERMINAL GND

 PNT SIGNAL NAME COLOR LV TYPE F
 1 GND

ELM 84
 POWER TERMINAL GND

 PNT SIGNAL NAME COLOR LV TYPE F
 1 GND

ELM 85
 POWER TERMINAL GND

 PNT SIGNAL NAME COLOR LV TYPE F
 1 GND

GRP 10S <-- <-- <-- CONTINUATION
 =====

ELM 86
 POWER TERMINAL GND

 PNT SIGNAL NAME COLOR LV TYPE F
 1 GND

ELM 91
 GENERAL BUS ASSY.4

 PNT SIGNAL NAME COLOR LV TYPE F

1 CK-PHRSY
 2 VC-PUP3
 3 VC-PUP4
 4 VC-PUP6
 5 PI-SCLK
 6 PI-ISCLK
 7 PI-STPH
 8 PI-ISTPH
 9 PI-SDAT
 10 PI-ISDAT
 11 PI-SVAL
 12 PI-ISVAL
 13 RT-BPH0
 14 RT-BLAD0
 15 RT-BPH1
 16 RT-BLAD1
 17
 18
 19 RT-CTLJP
 20 CP-RESET
 21 CK-CHNR0
 22 CK-MSYNC
 23 CK-CHNR1
 24 CK-BSYNC
 25 CK-CHNR2
 26 CK-SSYNC
 27
 28
 29 CK-DFCK1
 30 CKIDFCK1
 31 CK-MCK1
 32 CK-IMCK1
 33 CK-DNCK1
 34 CKIDMCK1

 * STUDER REVOX AG * L O C A T I O N P I N L I S T * 91/02/19 * 11:24 * P A G E 193 *
 * 1.862.010.00 D820-48 PCM TAPE - RECORDER * 90/03/21 - 00 *

 ASY 4A 1.862.612.00 BACKPANEL AS2: A-GR.4 + S-GR.2 <-- <-- <-- CONTINUATION

GRP 11 FLATCABLE CONNECTIONS + POWER TERM.
 =====

ELM 11 MA (MAPRO OUT) A-GR.4/CHANNEL 25-32

 PNT SIGNAL NAME COLOR LV TYPE F
 1 MA-CH25
 2 MA-ICH25
 3 MA-CH26
 4 MA-ICH26
 5 MA-CH27
 6 MA-ICH27
 7 MA-CH28
 8 MA-ICH28
 9 MA-CH29
 10 MA-ICH29
 11 MA-CH30
 12 MA-ICH30
 13 MA-CH31
 14 MA-ICH31
 15 MA-CH32
 16 MA-ICH32

ELM 12 TA (MAPRO IN) A-GR.4/CHANNEL 25-32

 PNT SIGNAL NAME COLOR LV TYPE F
 1 TA-CH25
 2 TA-ICH25
 3 TA-CH26
 4 TA-ICH26
 5 TA-CH27
 6 TA-ICH27
 7 TA-CH28
 8 TA-ICH28
 9 TA-CH29
 10 TA-ICH29
 11 TA-CH30
 12 TA-ICH30
 13 TA-CH31
 14 TA-ICH31
 15 TA-CH32
 16 TA-ICH32

GRP 11 <-- <-- <-- CONTINUATION
 =====

ELM 21 DA OUT A-GR.4/CH27,28,31,32

 PNT SIGNAL NAME COLOR LV TYPE F
 1 DA-OUT28
 2 DA-OUT28
 3 GND
 4 GND
 5 DA-OUT32
 6 DA-OUT32
 7 GND
 8 GND
 9 DA-OUT31
 10 DA-OUT31
 11 GND
 12 GND
 13 DA-OUT27
 14 DA-OUT27
 15 GND
 16 GND

ELM 22 DA OUT A-GR.4/CH25,26,29,30

 PNT SIGNAL NAME COLOR LV TYPE F
 1 DA-OUT26
 2 DA-OUT26
 3 GND
 4 GND
 5 DA-OUT30
 6 DA-OUT30
 7 GND
 8 GND
 9 DA-OUT29
 10 DA-OUT29
 11 GND
 12 GND
 13 DA-OUT25
 14 DA-OUT25
 15 GND
 16 GND

GRP 11 <-- <-- <-- CONTINUATION
 =====

ELM 31 AD IN A-GR.4/CHANNEL 29-32

 PNT SIGNAL NAME COLOR LV TYPE F
 1 GND
 2 GND
 3 CO-AIN29
 4 CO-AIN29
 5 GND
 6 GND
 7 CO-AIN30
 8 CO-AIN30
 9 GND
 10 GND
 11 CO-AIN31
 12 CO-AIN31
 13 GND
 14 GND
 15 CO-AIN32
 16 CO-AIN32

ELM 32 AD IN A-GR.4/CHANNEL 25-28

 PNT SIGNAL NAME COLOR LV TYPE F
 1 GND
 2 GND
 3 CO-AIN25
 4 CO-AIN25
 5 GND
 6 GND
 7 CO-AIN26
 8 CO-AIN26
 9 GND
 10 GND
 11 CO-AIN27
 12 CO-AIN27
 13 GND
 14 GND
 15 CO-AIN28
 16 CO-AIN28

 * STUDER REVOX AG * L O C A T I O N P I N L I S T * 91/02/19 * 11:24 * P A G E 194 *
 * 1.862.010.00 D820-48 PCM TAPE - RECORDER * 90/03/21 - 00 *
 ASY 4A 1.862.612.00 BACKPANEL AS2: A-GR.4 + S-GR.2 <-- <-- <-- CONTINUATION

GRP 11 <-- <-- <-- CONTINUATION
 =====

ELM 71
RESERVE 16-PIN

PNT	SIGNAL NAME	COLOR	LV	TYPE	F
1					
2					
3					
4					
5					
6					
7					
8					
9					
10					
11					
12					
13					
14					
15					
16					

./.

GRP 11 <-- <-- <-- CONTINUATION
 =====

ELM 72
GENERAL BUS ASSY.4A

PNT	SIGNAL NAME	COLOR	LV	TYPE	F
1	CK-PHRSY				
2	VC-PUP3				
3	VC-PUP4				
4					
5	PI-SCLK				
6	PI-ISCLK				
7	PI-ISTPH				
8	PI-ISTPH				
9	PI-SDAT				
10	PI-ISDAT				
11	PI-SVAL				
12	PI-ISVAL				
13	RT-BPHO				
14	RT-BLADO				
15	RT-BPH1				
16	RT-BLAD1				
17					
18					
19	RT-CTLJP				
20	CP-RESET				
21	CK-CHNR0				
22	CK-MSYNC				
23	CK-CHNR1				
24	CK-BSYNC				
25	CK-CHNR2				
26	CK-SSYNC				
27					
28					
29	CK-DFCK2				
30	CKIDFCK2				
31	CK-MCK2				
32	CK-IMCK2				
33	CK-DMCK2				
34	CKIDMCK2				

ELM 72X
DUMMY CONNECTOR NOT EXISTENT

PNT	SIGNAL NAME	COLOR	LV	TYPE	F
1				DUMMY	

./.

GRP 11 <-- <-- <-- CONTINUATION
 =====

ELM 80
POWER TERMINAL GND

PNT	SIGNAL NAME	COLOR	LV	TYPE	F
1	GND				

ELM 81
POWER TERMINAL GND

PNT	SIGNAL NAME	COLOR	LV	TYPE	F
1	GND				

ELM 82
POWER TERMINAL GND

PNT	SIGNAL NAME	COLOR	LV	TYPE	F
1	GND				

ELM 83
POWER TERMINAL GND

PNT	SIGNAL NAME	COLOR	LV	TYPE	F
1	GND				

./.

 * STUDER REVOX AG * L O C A T I O N P I N L I S T * 91/02/19 * 11:24 * P A G E 195 *
 * 1.862.010.00 D820-48 PCM TAPE - RECORDER * 90/03/21 - 00 *
 ASY 4A 1.862.612.00 BACKPANEL AS2: A-GR.4 + S-GR.2 <-- <-- <-- CONTINUATION

GRP 11 <-- <-- <-- CONTINUATION
 =====

ELM 84X
EMPTY PAGE

PNT	SIGNAL NAME	COLOR	LV	TYPE	F
1				DUMMY	
2				DUMMY	
3				DUMMY	
4				DUMMY	
5				DUMMY	
6				DUMMY	
7				DUMMY	
8				DUMMY	
9				DUMMY	
10				DUMMY	
11				DUMMY	
12				DUMMY	
13				DUMMY	
14				DUMMY	
15				DUMMY	
16				DUMMY	
17				DUMMY	
18				DUMMY	
19				DUMMY	
20				DUMMY	
21				DUMMY	
22				DUMMY	
23				DUMMY	
24				DUMMY	
25				DUMMY	
26				DUMMY	
27				DUMMY	
28				DUMMY	
29				DUMMY	
30				DUMMY	
31				DUMMY	
32				DUMMY	
33				DUMMY	
34				DUMMY	
35				DUMMY	
36				DUMMY	
37				DUMMY	
38				DUMMY	
39				DUMMY	
40				DUMMY	

STUDER D820 MCH

```
*****
* STUDER REVOX AG * L O C A T I O N P I N L I S T * 91/02/19 * 11:24 * P A G E 196 *
*****
* 1.862.010.00 D820-48 PCM TAPE - RECORDER * 90/03/21 - 00 *
*****
ASY 4B 1.862.610.00 BACKPANEL AA2: A-GR.5 + A-GR.6
```

```
GRP 5
AUDIO GROUP 5
=====
ELM 11A 1.862.652.00
PO1 MAPRO A-GR5 (CH 33-40)
-----
PNT SIGNAL NAME COLOR LV TYPE F
-----
1A GND
2A GND
3A MA-5D14
4A MA-5D12
5A MA-5D10
6A MA-5D08
7A MA-5D06
8A MA-5D04
9A MA-5D02
10A MA-5D00
11A MA-5WR
12A
13A
14A
15A
16A
17A
18A
19A
20A GND
21A MA-CH33
22A MA-CH34
23A MA-CH35
24A MA-CH36
25A MA-CH37
26A MA-CH38
27A MA-CH39
28A MA-CH40
29A -18 V
30A +18 V
31A + 5 V 4B
32A + 5 V 4B
-----
./.
```

```
GRP 5 <-- <-- <-- CONTINUATION
=====
ELM 11B 1.862.652.00
PO1 MAPRO A-GR5 (CH 33-40)
-----
PNT SIGNAL NAME COLOR LV TYPE F
-----
1B GND
2B GND
3B
4B
5B
6B
7B
8B
9B
10B
11B
12B
13B
14B
15B
16B
17B
18B
19B
20B GND
21B
22B
23B
24B
25B
26B
27B
28B
29B -18 V
30B +18 V
31B + 5 V 4B
32B + 5 V 4B
-----
./.
```

```
GRP 5 <-- <-- <-- CONTINUATION
=====
ELM 11C 1.862.652.00
PO1 MAPRO A-GR5 (CH 33-40)
-----
PNT SIGNAL NAME COLOR LV TYPE F
-----
1C GND
2C GND
3C MA-5D15
4C MA-5D13
5C MA-5D11
6C MA-5D09
7C MA-5D07
8C MA-5D05
9C MA-5D03
10C MA-5D01
11C MA-5RD
12C MA-5DA12
13C MA-5DA13
14C MA-5DA14
15C MA-5DA15
16C MA-5DA16
17C MA-5DA17
18C MA-5DA18
19C MA-5DA19
20C GND
21C MA-ICH33
22C MA-ICH34
23C MA-ICH35
24C MA-ICH36
25C MA-ICH37
26C MA-ICH38
27C MA-ICH39
28C MA-ICH40
29C -18 V
30C +18 V
31C + 5 V 4B
32C + 5 V 4B
-----
./.
```

```
*****
* STUDER REVOX AG * L O C A T I O N P I N L I S T * 91/02/19 * 11:24 * P A G E 197 *
*****
* 1.862.010.00 D820-48 PCM TAPE - RECORDER * 90/03/21 - 00 *
*****
ASY 4B 1.862.610.00 BACKPANEL AA2: A-GR.5 + A-GR.6 <-- <-- <-- CONTINUATION
```

```
GRP 5 <-- <-- <-- CONTINUATION
=====
ELM 12A 1.862.652.00
PO2 MAPRO A-GR5 (CH 33-40)
-----
PNT SIGNAL NAME COLOR LV TYPE F
-----
1A GND
2A GND
3A TA-CH33
4A TA-CH34
5A TA-CH35
6A TA-CH36
7A TA-CH37
8A TA-CH38
9A TA-CH39
10A TA-CH40
11A
12A
13A
14A PI-SCLK
15A PI-STPH
16A PI-SDAT
17A PI-SVAL
18A RT-BPH0
19A RT-BPH1
20A
21A RT-CTLJP
22A CK-CHNR0
23A CK-CHNR1
24A CK-CHNR2
25A
26A CK-DFCK2
27A CK-MCK2
28A CK-DMCK2
29A -18 V
30A +18 V
31A + 5 V 4B
32A + 5 V 4B
-----
./.
```

```
GRP 5 <-- <-- <-- CONTINUATION
=====
ELM 12B 1.862.652.00
PO2 MAPRO A-GR5 (CH 33-40)
-----
PNT SIGNAL NAME COLOR LV TYPE F
-----
1B GND
2B GND
3B
4B
5B
6B
7B
8B
9B
10B
11B
12B
13B
14B
15B
16B
17B
18B
19B
20B
21B
22B
23B
24B
25B
26B
27B
28B
29B -18 V
30B +18 V
31B + 5 V 4B
32B + 5 V 4B
-----
./.
```

```
GRP 5 <-- <-- <-- CONTINUATION
=====
ELM 12C 1.862.652.00
PO2 MAPRO A-GR5 (CH 33-40)
-----
PNT SIGNAL NAME COLOR LV TYPE F
-----
1C GND
2C GND
3C TA-ICH33
4C TA-ICH34
5C TA-ICH35
6C TA-ICH36
7C TA-ICH37
8C TA-ICH38
9C TA-ICH39
10C TA-ICH40
11C
12C
13C
14C PI-ISCLK
15C PI-ISTPH
16C PI-ISDAT
17C PI-ISVAL
18C RT-BLAD0
19C RT-BLAD1
20C
21C CP-RESET
22C CK-WSYNC
23C CK-BSYNC
24C CK-SSYNC
25C
26C CKIDFCK2
27C CK-IMCK2
28C CKIDMCK2
29C -18 V
30C +18 V
31C + 5 V 4B
32C + 5 V 4B
-----
./.
```

 * STUDER REVOX AG * L O C A T I O N P I N L I S T * 91/02/19 * 11:24 * P A G E 198 *

 * 1.862.010.00 D820-48 PCM TAPE - RECORDER * 90/03/21 - 00 *

 ASY 4B 1.862.610.00 BACKPANEL AA2: A-GR.5 + A-GR.6 <-- <-- <-- CONTINUATION

GRP 5 <-- <-- <-- CONTINUATION
 =====
 ELM 21A 1.862.651.00
 P01 DA A-GR5 (CH 33-40)

 PNT SIGNAL NAME COLOR LV TYPE F

 1A GND
 2A GND
 3A MA-5D14
 4A MA-5D12
 5A MA-5D10
 6A MA-5D08
 7A MA-5D06
 8A MA-5D04
 9A MA-5D02
 10A MA-5D00
 11A MA-5WR
 12A MA-5DA12
 13A MA-5DA13
 14A MA-5DA14
 15A MA-5DA15
 16A MA-5DA16
 17A MA-5DA17
 18A MA-5DA18
 19A MA-5DA19
 20A GND
 21A DA-OUT36
 22A GND
 23A DA-OUT40
 24A GND
 25A DA-OUT39
 26A GND
 27A DA-OUT35
 28A GND
 29A -18 V
 30A +18 V
 31A + 5 V 4B
 32A + 5 V 4B

 ./.

GRP 5 <-- <-- <-- CONTINUATION
 =====
 ELM 21B 1.862.651.00
 P01 DA A-GR5 (CH 33-40)

 PNT SIGNAL NAME COLOR LV TYPE F

 1B GND
 2B GND
 3B
 4B
 5B
 6B
 7B
 8B
 9B
 10B
 11B
 12B
 13B
 14B
 15B
 16B
 17B
 18B
 19B
 20B GND
 21B GND
 22B GND
 23B GND
 24B GND
 25B GND
 26B GND
 27B GND
 28B GND
 29B -18 V
 30B +18 V
 31B + 5 V 4B
 32B + 5 V 4B

 ./.

GRP 5 <-- <-- <-- CONTINUATION
 =====
 ELM 21C 1.862.651.00
 P01 DA A-GR5 (CH 33-40)

 PNT SIGNAL NAME COLOR LV TYPE F

 1C GND
 2C GND
 3C MA-5D15
 4C MA-5D13
 5C MA-5D11
 6C MA-5D09
 7C MA-5D07
 8C MA-5D05
 9C MA-5D03
 10C MA-5D01
 11C MA-5RD
 12C IO-5DA12
 13C IO-5DA13
 14C IO-5DA14
 15C IO-5DA15
 16C IO5CLKR1
 17C IO-5LD2
 18C IO5DATR1
 19C IO-5BD1
 20C GND
 21C DAIOUT36
 22C GND
 23C DAIOUT40
 24C GND
 25C DAIOUT39
 26C GND
 27C DAIOUT35
 28C GND
 29C -18 V
 30C +18 V
 31C + 5 V 4B
 32C + 5 V 4B

 ./.

 * STUDER REVOX AG * L O C A T I O N P I N L I S T * 91/02/19 * 11:24 * P A G E 199 *

 * 1.862.010.00 D820-48 PCM TAPE - RECORDER * 90/03/21 - 00 *

 ASY 4B 1.862.610.00 BACKPANEL AA2: A-GR.5 + A-GR.6 <-- <-- <-- CONTINUATION

GRP 5 <-- <-- <-- CONTINUATION
 =====
 ELM 22A 1.862.651.00
 P02 DA A-GR5 (CH 33-40)

 PNT SIGNAL NAME COLOR LV TYPE F

 1A GND
 2A GND
 3A DA-OUT34
 4A GND
 5A DA-OUT38
 6A GND
 7A DA-OUT37
 8A GND
 9A DA-OUT33
 10A GND
 11A
 12A
 13A
 14A GND
 15A GND
 16A GND
 17A GND
 18A GND
 19A GND
 20A
 21A GND
 22A CK-CHNR0
 23A CK-CHNR1
 24A CK-CHNR2
 25A
 26A CK-DFCK2
 27A CK-MCK2
 28A CK-DMCK2
 29A -18 V
 30A +18 V
 31A + 5 V 4B
 32A + 5 V 4B

 ./.

GRP 5 <-- <-- <-- CONTINUATION
 =====
 ELM 22B 1.862.651.00
 P02 DA A-GR5 (CH 33-40)

 PNT SIGNAL NAME COLOR LV TYPE F

 1B GND
 2B GND
 3B GND
 4B GND
 5B GND
 6B GND
 7B GND
 8B GND
 9B GND
 10B GND
 11B
 12B
 13B
 14B
 15B
 16B
 17B
 18B
 19B
 20B
 21B
 22B
 23B
 24B
 25B
 26B
 27B
 28B
 29B -18 V
 30B +18 V
 31B + 5 V 4B
 32B + 5 V 4B

 ./.

GRP 5 <-- <-- <-- CONTINUATION
 =====
 ELM 22C 1.862.651.00
 P02 DA A-GR5 (CH 33-40)

 PNT SIGNAL NAME COLOR LV TYPE F

 1C GND
 2C GND
 3C DAIOUT34
 4C GND
 5C DAIOUT38
 6C GND
 7C DAIOUT37
 8C GND
 9C DAIOUT33
 10C GND
 11C
 12C
 13C
 14C GND
 15C GND
 16C GND
 17C GND
 18C GND
 19C GND
 20C
 21C CP-RESET
 22C CK-HSYNC
 23C GND
 24C GND
 25C
 26C CKIDFCK2
 27C CK-IMCK2
 28C CKIDMCK2
 29C -18 V
 30C +18 V
 31C + 5 V 4B
 32C + 5 V 4B

 ./.

STUDER D820 MCH

```
*****
* STUDER REVOX AG * L O C A T I O N P I N L I S T * 91/02/19 * 11:24 * P A G E 200 *
* 1.862.010.00 D820-48 PCM TAPE - RECORDER * 90/03/21 - 00 *
* 1.862.610.00 BACKPANEL AA2: A-GR.5 + A-GR.6 <-- <-- <-- CONTINUATION
ASY 4B
```

```
GRP 5
-----
<-- <-- <-- CONTINUATION
-----
ELM 31A 1.862.653.00
P01 IO A-GR5 (CH 33-40)
-----
PNT SIGNAL NAME COLOR LV TYPE F
-----
1A GND
2A GND
3A MA-5D14
4A MA-5D12
5A MA-5D10
6A MA-5D08
7A MA-5D06
8A MA-5D04
9A MA-5D02
10A MA-5D00
11A MA-5NR
12A IO-5DA12
13A IO-5DA13
14A IO-5DA14
15A IO-5DA15
16A IO5CLKR1
17A IO-5LD2
18A IO5DATR1
19A IO-5BD1
20A GND
21A
22A PP-DAT51
23A PP-DAT50
24A
25A
26A IO-DAT51
27A IO-DAT50
28A
29A -18 V
30A +18 V
31A + 5 V 4B
32A + 5 V 4B
-----
./.
```

```
GRP 5
-----
<-- <-- <-- CONTINUATION
-----
ELM 31B 1.862.653.00
P01 IO A-GR5 (CH 33-40)
-----
PNT SIGNAL NAME COLOR LV TYPE F
-----
1B GND
2B GND
3B
4B
5B
6B
7B
8B
9B
10B
11B
12B
13B
14B
15B
16B
17B
18B
19B
20B GND
21B
22B
23B
24B
25B
26B
27B
28B
29B -18 V
30B +18 V
31B + 5 V 4B
32B + 5 V 4B
-----
./.
```

```
GRP 5
-----
<-- <-- <-- CONTINUATION
-----
ELM 31C 1.862.653.00
P01 IO A-GR5 (CH 33-40)
-----
PNT SIGNAL NAME COLOR LV TYPE F
-----
1C GND
2C GND
3C MA-5D15
4C MA-5D13
5C MA-5D11
6C MA-5D09
7C MA-5D07
8C MA-5D05
9C MA-5D03
10C MA-5D01
11C MA-5RD
12C IO-5IOAD
13C IO-5CLKT
14C IO-5ACK
15C AD-5DATT
16C IO5CLKR2
17C IO-5LD1
18C IO5DATR2
19C IO-5BD2
20C GND
21C
22C PPIDAT51
23C PPIDAT50
24C
25C
26C IOIDAT51
27C IOIDAT50
28C
29C -18 V
30C +18 V
31C + 5 V 4B
32C + 5 V 4B
-----
./.
```

```
*****
* STUDER REVOX AG * L O C A T I O N P I N L I S T * 91/02/19 * 11:24 * P A G E 201 *
* 1.862.010.00 D820-48 PCM TAPE - RECORDER * 90/03/21 - 00 *
* 1.862.610.00 BACKPANEL AA2: A-GR.5 + A-GR.6 <-- <-- <-- CONTINUATION
ASY 4B
```

```
GRP 5
-----
<-- <-- <-- CONTINUATION
-----
ELM 32A 1.862.653.00
P02 IO A-GR5 (CH 33-40)
-----
PNT SIGNAL NAME COLOR LV TYPE F
-----
1A GND
2A GND
3A
4A
5A
6A
7A
8A
9A
10A
11A
12A
13A
14A PI-SCLK
15A PI-STPH
16A PI-SDAT
17A PI-SVAL
18A RT-BPHO
19A RT-BPH1
20A
21A RT-CTLJP
22A CK-CHNR0
23A CK-CHNR1
24A CK-CHNR2
25A
26A CK-DFCK2
27A CK-MCK2
28A CK-DMCK2
29A -18 V
30A +18 V
31A + 5 V 4B
32A + 5 V 4B
-----
./.
```

```
GRP 5
-----
<-- <-- <-- CONTINUATION
-----
ELM 32B 1.862.653.00
P02 IO A-GR5 (CH 33-40)
-----
PNT SIGNAL NAME COLOR LV TYPE F
-----
1B GND
2B GND
3B
4B
5B
6B
7B
8B
9B
10B
11B
12B
13B
14B
15B
16B
17B
18B
19B
20B
21B
22B
23B
24B
25B
26B
27B
28B
29B -18 V
30B +18 V
31B + 5 V 4B
32B + 5 V 4B
-----
./.
```

```
GRP 5
-----
<-- <-- <-- CONTINUATION
-----
ELM 32C 1.862.653.00
P02 IO A-GR5 (CH 33-40)
-----
PNT SIGNAL NAME COLOR LV TYPE F
-----
1C GND
2C GND
3C
4C
5C
6C
7C
8C
9C
10C
11C
12C
13C
14C PI-ISCLK
15C PI-ISTPH
16C PI-ISDAT
17C PI-ISVAL
18C RT-BLAD0
19C RT-BLAD1
20C
21C CP-RESET
22C CK-WSYNC
23C CK-BSYNC
24C CK-SSYNC
25C
26C CKIDFCK2
27C CK-IMCK2
28C CKIDMCK2
29C -18 V
30C +18 V
31C + 5 V 4B
32C + 5 V 4B
-----
./.
```

 * STUDER REVOX AG * L O C A T I O N P I N L I S T * 91/02/19 * 11:24 * P A G E 202 *
 * 1.862.010.00 D820-48 PCM TAPE - RECORDER * 90/03/21 - 00 *
 * 1.862.610.00 BACKPANEL AA2: A-GR.5 + A-GR.6 *****
 ASY 4B <-- <-- <-- CONTINUATION

GRP 5 <-- <-- <-- CONTINUATION

ELM 41A 1.862.650.00
 PO1 AD A-GR5 (CH 33-40)

PNT	SIGNAL NAME	COLOR	LV	TYPE	F
1A	GND				
2A	GND				
3A	MA-5D14				
4A	MA-5D12				
5A	MA-5D10				
6A	MA-5D08				
7A	MA-5D06				
8A	MA-5D04				
9A	MA-5D02				
10A	MA-5D00				
11A	MA-5HR				
12A	IO-5IOAD				
13A	IO-5CLKT				
14A	IO-5ACK				
15A	AD-5DATT				
16A	IO5CLKR2				
17A	IO-5LD1				
18A	IO5DATR2				
19A	IO-5BD2				
20A	GND				
21A	CO-AIN40				
22A	GND				
23A	CO-AIN39				
24A	GND				
25A	CO-AIN38				
26A	GND				
27A	CO-AIN37				
28A	GND				
29A	-18 V				
30A	+18 V				
31A	+ 5 V 4B				
32A	+ 5 V 4B				

GRP 5 <-- <-- <-- CONTINUATION

ELM 41B 1.862.650.00
 PO1 AD A-GR5 (CH 33-40)

PNT	SIGNAL NAME	COLOR	LV	TYPE	F
1B	GND				
2B	GND				
3B					
4B					
5B					
6B					
7B					
8B					
9B					
10B					
11B					
12B					
13B					
14B					
15B					
16B					
17B					
18B					
19B					
20B	GND				
21B	GND				
22B	GND				
23B	GND				
24B	GND				
25B	GND				
26B	GND				
27B	GND				
28B	GND				
29B	-18 V				
30B	+18 V				
31B	+ 5 V 4B				
32B	+ 5 V 4B				

GRP 5 <-- <-- <-- CONTINUATION

ELM 41C 1.862.650.00
 PO1 AD A-GR5 (CH 33-40)

PNT	SIGNAL NAME	COLOR	LV	TYPE	F
1C	GND				
2C	GND				
3C	MA-5D15				
4C	MA-5D13				
5C	MA-5D11				
6C	MA-5D09				
7C	MA-5D07				
8C	MA-5D05				
9C	MA-5D03				
10C	MA-5D01				
11C	MA-5RD				
12C					
13C					
14C					
15C					
16C					
17C					
18C					
19C					
20C	GND				
21C	COIAIN40				
22C	GND				
23C	COIAIN39				
24C	GND				
25C	COIAIN38				
26C	GND				
27C	COIAIN37				
28C	GND				
29C	-18 V				
30C	+18 V				
31C	+ 5 V 4B				
32C	+ 5 V 4B				

 * STUDER REVOX AG * L O C A T I O N P I N L I S T * 91/02/19 * 11:24 * P A G E 203 *
 * 1.862.010.00 D820-48 PCM TAPE - RECORDER * 90/03/21 - 00 *
 * 1.862.610.00 BACKPANEL AA2: A-GR.5 + A-GR.6 *****
 ASY 4B <-- <-- <-- CONTINUATION

GRP 5 <-- <-- <-- CONTINUATION

ELM 42A 1.862.650.00
 PO2 AD A-GR5 (CH 33-40)

PNT	SIGNAL NAME	COLOR	LV	TYPE	F
1A	GND				
2A	GND				
3A	CO-AIN36				
4A	GND				
5A	CO-AIN35				
6A	GND				
7A	CO-AIN34				
8A	GND				
9A	CO-AIN33				
10A	GND				
11A					
12A					
13A					
14A	GND				
15A	GND				
16A	GND				
17A	GND				
18A	GND				
19A	GND				
20A					
21A	GND				
22A	CK-CHNR0				
23A	CK-CHNR1				
24A	CK-CHNR2				
25A					
26A	CK-DFCK2				
27A	CK-MCK2				
28A	CK-DMCK2				
29A	-18 V				
30A	+18 V				
31A	+ 5 V 4B				
32A	+ 5 V 4B				

GRP 5 <-- <-- <-- CONTINUATION

ELM 42B 1.862.650.00
 PO2 AD A-GR5 (CH 33-40)

PNT	SIGNAL NAME	COLOR	LV	TYPE	F
1B	GND				
2B	GND				
3B	GND				
4B	GND				
5B	GND				
6B	GND				
7B	GND				
8B	GND				
9B	GND				
10B	GND				
11B					
12B					
13B					
14B					
15B					
16B					
17B					
18B					
19B					
20B					
21B					
22B					
23B					
24B					
25B					
26B					
27B					
28B					
29B	-18 V				
30B	+18 V				
31B	+ 5 V 4B				
32B	+ 5 V 4B				

GRP 5 <-- <-- <-- CONTINUATION

ELM 42C 1.862.650.00
 PO2 AD A-GR5 (CH 33-40)

PNT	SIGNAL NAME	COLOR	LV	TYPE	F
1C	GND				
2C	GND				
3C	COIAIN36				
4C	GND				
5C	COIAIN35				
6C	GND				
7C	COIAIN34				
8C	GND				
9C	COIAIN33				
10C	GND				
11C					
12C					
13C					
14C	GND				
15C	GND				
16C	GND				
17C	GND				
18C	GND				
19C	GND				
20C					
21C	CP-RESET				
22C	CK-MSYNC				
23C	GND				
24C	GND				
25C					
26C	CKIDFCK2				
27C	CK-IMCK2				
28C	CKIDMCK2				
29C	-18 V				
30C	+18 V				
31C	+ 5 V 4B				
32C	+ 5 V 4B				

STUDER D820 MCH

```
*****
*   STUDER REVOX AG *   L O C A T I O N   P I N   L I S T   * 91/02/19 * 11:24 * P A G E 204 *
*****
*   1.862.010.00 D820-48 PCM TAPE - RECORDER * 90/03/21 - 00 *
*****
ASY 4B 1.862.610.00 BACKPANEL AA2: A-GR.5 + A-GR.6 <-- <-- <-- CONTINUATION
```

```
GRP 6
AUDIO GROUP 6
=====
ELM 11A 1.862.652.00
PO1 MAPRO A-GR6 (CH 41-48)
-----
PNT SIGNAL NAME COLOR LV TYPE F
-----
1A GND
2A GND
3A MA-6D14
4A MA-6D12
5A MA-6D10
6A MA-6D08
7A MA-6D06
8A MA-6D04
9A MA-6D02
10A MA-6D00
11A MA-6HR
12A
13A
14A
15A
16A
17A
18A
19A
20A GND
21A MA-CH41
22A MA-CH42
23A MA-CH43
24A MA-CH44
25A MA-CH45
26A MA-CH46
27A MA-CH47
28A MA-CH48
29A -18 V
30A +18 V
31A + 5 V 4B
32A + 5 V 4B
-----
./.
```

```
GRP 6
<-- <-- <-- CONTINUATION
=====
ELM 11B 1.862.652.00
PO1 MAPRO A-GR6 (CH 41-48)
-----
PNT SIGNAL NAME COLOR LV TYPE F
-----
1B GND
2B GND
3B
4B
5B
6B
7B
8B
9B
10B
11B
12B
13B
14B
15B
16B
17B
18B
19B
20B GND
21B
22B
23B
24B
25B
26B
27B
28B
29B -18 V
30B +18 V
31B + 5 V 4B
32B + 5 V 4B
-----
./.
```

```
GRP 6
<-- <-- <-- CONTINUATION
=====
ELM 11C 1.862.652.00
PO1 MAPRO A-GR6 (CH 41-48)
-----
PNT SIGNAL NAME COLOR LV TYPE F
-----
1C GND
2C GND
3C MA-6D15
4C MA-6D13
5C MA-6D11
6C MA-6D09
7C MA-6D07
8C MA-6D05
9C MA-6D03
10C MA-6D01
11C MA-6RD
12C MA-6DA12
13C MA-6DA13
14C MA-6DA14
15C MA-6DA15
16C MA-6DA16
17C MA-6DA17
18C MA-6DA18
19C MA-6DA19
20C GND
21C MA-ICH41
22C MA-ICH42
23C MA-ICH43
24C MA-ICH44
25C MA-ICH45
26C MA-ICH46
27C MA-ICH47
28C MA-ICH48
29C -18 V
30C +18 V
31C + 5 V 4B
32C + 5 V 4B
-----
./.
```

```
*****
*   STUDER REVOX AG *   L O C A T I O N   P I N   L I S T   * 91/02/19 * 11:24 * P A G E 205 *
*****
*   1.862.010.00 D820-48 PCM TAPE - RECORDER * 90/03/21 - 00 *
*****
ASY 4B 1.862.610.00 BACKPANEL AA2: A-GR.5 + A-GR.6 <-- <-- <-- CONTINUATION
```

```
GRP 6
<-- <-- <-- CONTINUATION
=====
ELM 12A 1.862.652.00
PO2 MAPRO A-GR6 (CH 41-48)
-----
PNT SIGNAL NAME COLOR LV TYPE F
-----
1A GND
2A GND
3A TA-CH41
4A TA-CH42
5A TA-CH43
6A TA-CH44
7A TA-CH45
8A TA-CH46
9A TA-CH47
10A TA-CH48
11A
12A
13A
14A PI-SCLK
15A PI-STPH
16A PI-SDAT
17A PI-SVAL
18A RT-BPH0
19A RT-BPH1
20A
21A RT-CTLJP
22A CK-CHNR0
23A CK-CHNR1
24A CK-CHNR2
25A
26A CK-DFCK2
27A CK-MCK2
28A CK-DMCK2
29A -18 V
30A +18 V
31A + 5 V 4B
32A + 5 V 4B
-----
./.
```

```
GRP 6
<-- <-- <-- CONTINUATION
=====
ELM 12B 1.862.652.00
PO2 MAPRO A-GR6 (CH 41-48)
-----
PNT SIGNAL NAME COLOR LV TYPE F
-----
1B GND
2B GND
3B
4B
5B
6B
7B
8B
9B
10B
11B
12B
13B
14B
15B
16B
17B
18B
19B
20B
21B
22B
23B
24B
25B
26B
27B
28B
29B -18 V
30B +18 V
31B + 5 V 4B
32B + 5 V 4B
-----
./.
```

```
GRP 6
<-- <-- <-- CONTINUATION
=====
ELM 12C 1.862.652.00
PO2 MAPRO A-GR6 (CH 41-48)
-----
PNT SIGNAL NAME COLOR LV TYPE F
-----
1C GND
2C GND
3C TA-ICH41
4C TA-ICH42
5C TA-ICH43
6C TA-ICH44
7C TA-ICH45
8C TA-ICH46
9C TA-ICH47
10C TA-ICH48
11C
12C
13C
14C PI-ISCLK
15C PI-ISTPH
16C PI-ISDAT
17C PI-ISVAL
18C RT-BLAD0
19C RT-BLAD1
20C
21C CP-RESET
22C CK-MSYNC
23C CK-BSYNC
24C CK-SSYNC
25C
26C CKIDFCK2
27C CK-IMCK2
28C CKIDMCK2
29C -18 V
30C +18 V
31C + 5 V 4B
32C + 5 V 4B
-----
./.
```

 * STUDER REVOX AG * L O C A T I O N P I N L I S T * 91/02/19 * 11:24 * P A G E 206 *

 * 1.862.010.00 D820-48 PCM TAPE - RECORDER * 90/03/21 - 00 *

 ASY 4B 1.862.610.00 BACKPANEL AA2: A-GR.5 + A-GR.6 <-- <-- <-- CONTINUATION

GRP 6 <-- <-- <-- CONTINUATION

ELM 21A 1.862.651.00
 PO1 DA A-GR6 (CH 41-48)

PNT	SIGNAL NAME	COLOR	LV	TYPE	F
1A	GND				
2A	GND				
3A	MA-6D14				
4A	MA-6D12				
5A	MA-6D10				
6A	MA-6D08				
7A	MA-6D06				
8A	MA-6D04				
9A	MA-6D02				
10A	MA-6D00				
11A	MA-6HR				
12A	MA-6DA12				
13A	MA-6DA13				
14A	MA-6DA14				
15A	MA-6DA15				
16A	MA-6DA16				
17A	MA-6DA17				
18A	MA-6DA18				
19A	MA-6DA19				
20A	GND				
21A	DA-OUT44				
22A	GND				
23A	DA-OUT48				
24A	GND				
25A	DA-OUT47				
26A	GND				
27A	DA-OUT43				
28A	GND				
29A	-18 V				
30A	+18 V				
31A	+ 5 V 4B				
32A	+ 5 V 4B				

GRP 6 <-- <-- <-- CONTINUATION

ELM 21B 1.862.651.00
 PO1 DA A-GR6 (CH 41-48)

PNT	SIGNAL NAME	COLOR	LV	TYPE	F
1B	GND				
2B	GND				
3B					
4B					
5B					
6B					
7B					
8B					
9B					
10B					
11B					
12B					
13B					
14B					
15B					
16B					
17B					
18B					
19B					
20B	GND				
21B	GND				
22B	GND				
23B	GND				
24B	GND				
25B	GND				
26B	GND				
27B	GND				
28B	GND				
29B	-18 V				
30B	+18 V				
31B	+ 5 V 4B				
32B	+ 5 V 4B				

GRP 6 <-- <-- <-- CONTINUATION

ELM 21C 1.862.651.00
 PO1 DA A-GR6 (CH 41-48)

PNT	SIGNAL NAME	COLOR	LV	TYPE	F
1C	GND				
2C	GND				
3C	MA-6D15				
4C	MA-6D13				
5C	MA-6D11				
6C	MA-6D09				
7C	MA-6D07				
8C	MA-6D05				
9C	MA-6D03				
10C	MA-6D01				
11C	MA-6RD				
12C	IO-6DA12				
13C	IO-6DA13				
14C	IO-6DA14				
15C	IO-6DA15				
16C	IO6CLKR1				
17C	IO-6LD2				
18C	IO6DATR1				
19C	IO-6BD1				
20C	GND				
21C	DAIOUT44				
22C	GND				
23C	DAIOUT48				
24C	GND				
25C	DAIOUT47				
26C	GND				
27C	DAIOUT43				
28C	GND				
29C	-18 V				
30C	+18 V				
31C	+ 5 V 4B				
32C	+ 5 V 4B				

 * STUDER REVOX AG * L O C A T I O N P I N L I S T * 91/02/19 * 11:24 * P A G E 207 *

 * 1.862.010.00 D820-48 PCM TAPE - RECORDER * 90/03/21 - 00 *

 ASY 4B 1.862.610.00 BACKPANEL AA2: A-GR.5 + A-GR.6 <-- <-- <-- CONTINUATION

GRP 6 <-- <-- <-- CONTINUATION

ELM 22A 1.862.651.00
 PO2 DA A-GR6 (CH 41-48)

PNT	SIGNAL NAME	COLOR	LV	TYPE	F
1A	GND				
2A	GND				
3A	DA-OUT42				
4A	GND				
5A	DA-OUT46				
6A	GND				
7A	DA-OUT45				
8A	GND				
9A	DA-OUT41				
10A	GND				
11A					
12A					
13A					
14A	GND				
15A	GND				
16A	GND				
17A	GND				
18A	GND				
19A	GND				
20A					
21A	GND				
22A	CK-CHNR0				
23A	CK-CHNR1				
24A	CK-CHNR2				
25A					
26A	CK-DFCK2				
27A	CK-MCK2				
28A	CK-DMCK2				
29A	-18 V				
30A	+18 V				
31A	+ 5 V 4B				
32A	+ 5 V 4B				

GRP 6 <-- <-- <-- CONTINUATION

ELM 22B 1.862.651.00
 PO2 DA A-GR6 (CH 41-48)

PNT	SIGNAL NAME	COLOR	LV	TYPE	F
1B	GND				
2B	GND				
3B	GND				
4B	GND				
5B	GND				
6B	GND				
7B	GND				
8B	GND				
9B	GND				
10B	GND				
11B					
12B					
13B					
14B					
15B					
16B					
17B					
18B					
19B					
20B					
21B					
22B					
23B					
24B					
25B					
26B					
27B					
28B					
29B	-18 V				
30B	+18 V				
31B	+ 5 V 4B				
32B	+ 5 V 4B				

GRP 6 <-- <-- <-- CONTINUATION

ELM 22C 1.862.651.00
 PO2 DA A-GR6 (CH 41-48)

PNT	SIGNAL NAME	COLOR	LV	TYPE	F
1C	GND				
2C	GND				
3C	DAIOUT42				
4C	GND				
5C	DAIOUT46				
6C	GND				
7C	DAIOUT45				
8C	GND				
9C	DAIOUT41				
10C	GND				
11C					
12C					
13C					
14C	GND				
15C	GND				
16C	GND				
17C	GND				
18C	GND				
19C	GND				
20C					
21C	CP-RESET				
22C	CK-HSYNC				
23C	GND				
24C	GND				
25C					
26C	CKIDFCK2				
27C	CK-IMCK2				
28C	CKIDMCK2				
29C	-18 V				
30C	+18 V				
31C	+ 5 V 4B				
32C	+ 5 V 4B				

STUDER D820 MCH

```
*****
*   STUDER REVOX AG *   L O C A T I O N   P I N   L I S T   * 91/02/19 * 11:24 * P A G E 208 *
*****
*   1.862.010.00 D820-48 PCM TAPE - RECORDER * 90/03/21 - 00 *
*****
ASY 4B 1.862.610.00 BACKPANEL AA2: A-GR.5 + A-GR.6 <-- <-- <-- CONTINUATION
```

```
GRP 6 <-- <-- <-- CONTINUATION
=====
ELM 31A 1.862.653.00
P01 IO A-GR6 (CH 41-48)
-----
PNT SIGNAL NAME COLOR LV TYPE F
-----
1A GND
2A GND
3A MA-6D14
4A MA-6D12
5A MA-6D10
6A MA-6D08
7A MA-6D06
8A MA-6D04
9A MA-6D02
10A MA-6D00
11A MA-6HR
12A IO-6DA12
13A IO-6DA13
14A IO-6DA14
15A IO-6DA15
16A IO6CLKR1
17A IO-6LD2
18A IO6DATR1
19A IO-6BD1
20A GND
21A
22A PP-DAT61
23A PP-DAT60
24A
25A
26A IO-DAT61
27A IO-DAT60
28A
29A -18 V
30A +18 V
31A + 5 V 4B
32A + 5 V 4B
-----
./.
```

```
GRP 6 <-- <-- <-- CONTINUATION
=====
ELM 31B 1.862.653.00
P01 IO A-GR6 (CH 41-48)
-----
PNT SIGNAL NAME COLOR LV TYPE F
-----
1B GND
2B GND
3B
4B
5B
6B
7B
8B
9B
10B
11B
12B
13B
14B
15B
16B
17B
18B
19B
20B GND
21B
22B
23B
24B
25B
26B
27B
28B
29B -18 V
30B +18 V
31B + 5 V 4B
32B + 5 V 4B
-----
./.
```

```
GRP 6 <-- <-- <-- CONTINUATION
=====
ELM 31C 1.862.653.00
P01 IO A-GR6 (CH 41-48)
-----
PNT SIGNAL NAME COLOR LV TYPE F
-----
1C GND
2C GND
3C MA-6D15
4C MA-6D13
5C MA-6D11
6C MA-6D09
7C MA-6D07
8C MA-6D05
9C MA-6D03
10C MA-6D01
11C MA-6RD
12C IO-6IOAD
13C IO-6CLKT
14C IO-6ACK
15C AD-6DATT
16C IO6CLKR2
17C IO-6LD1
18C IO6DATR2
19C IO-6BD2
20C GND
21C
22C PPIDAT61
23C PPIDAT60
24C
25C
26C IOIDAT61
27C IOIDAT60
28C
29C -18 V
30C +18 V
31C + 5 V 4B
32C + 5 V 4B
-----
./.
```

```
*****
*   STUDER REVOX AG *   L O C A T I O N   P I N   L I S T   * 91/02/19 * 11:24 * P A G E 209 *
*****
*   1.862.010.00 D820-48 PCM TAPE - RECORDER * 90/03/21 - 00 *
*****
ASY 4B 1.862.610.00 BACKPANEL AA2: A-GR.5 + A-GR.6 <-- <-- <-- CONTINUATION
```

```
GRP 6 <-- <-- <-- CONTINUATION
=====
ELM 32A 1.862.653.00
P02 IO A-GR6 (CH 41-48)
-----
PNT SIGNAL NAME COLOR LV TYPE F
-----
1A GND
2A GND
3A
4A
5A
6A
7A
8A
9A
10A
11A
12A
13A
14A PI-SCLK
15A PI-STPH
16A PI-SDAT
17A PI-SVAL
18A RT-BPH0
19A RT-BPH1
20A
21A RT-CTLJP
22A CK-CHNR0
23A CK-CHNR1
24A CK-CHNR2
25A
26A CK-DFCK2
27A CK-MCK2
28A CK-DMCK2
29A -18 V
30A +18 V
31A + 5 V 4B
32A + 5 V 4B
-----
./.
```

```
GRP 6 <-- <-- <-- CONTINUATION
=====
ELM 32B 1.862.653.00
P02 IO A-GR6 (CH 41-48)
-----
PNT SIGNAL NAME COLOR LV TYPE F
-----
1B GND
2B GND
3B
4B
5B
6B
7B
8B
9B
10B
11B
12B
13B
14B
15B
16B
17B
18B
19B
20B
21B
22B
23B
24B
25B
26B
27B
28B
29B -18 V
30B +18 V
31B + 5 V 4B
32B + 5 V 4B
-----
./.
```

```
GRP 6 <-- <-- <-- CONTINUATION
=====
ELM 32C 1.862.653.00
P02 IO A-GR6 (CH 41-48)
-----
PNT SIGNAL NAME COLOR LV TYPE F
-----
1C GND
2C GND
3C
4C
5C
6C
7C
8C
9C
10C
11C
12C
13C
14C PI-ISCLK
15C PI-ISTPH
16C PI-ISDAT
17C PI-ISVAL
18C RT-BLAD0
19C RT-BLAD1
20C
21C CP-RESET
22C CK-HSYNC
23C CK-BSYNC
24C CK-SSYNC
25C
26C CKIDFCK2
27C CK-INCK2
28C CKIDMCK2
29C -18 V
30C +18 V
31C + 5 V 4B
32C + 5 V 4B
-----
./.
```

 * STUDER REVOX AG * L O C A T I O N P I N L I S T * 91/02/19 * 11:24 * P A G E 210 *
 * 1.862.010.00 D820-48 PCM TAPE - RECORDER * 90/03/21 - 00 *
 ASY 4B 1.862.610.00 BACKPANEL AA2: A-GR.5 + A-GR.6 <-- <-- <-- CONTINUATION

GRP 6 <-- <-- <-- CONTINUATION

ELM 41A 1.862.650.00
 P01 AD A-GR6 (CH 41-48)

PNT	SIGNAL NAME	COLOR	LV	TYPE	F
1A	GND				
2A	GND				
3A	MA-6D14				
4A	MA-6D12				
5A	MA-6D10				
6A	MA-6D08				
7A	MA-6D06				
8A	MA-6D04				
9A	MA-6D02				
10A	MA-6D00				
11A	MA-6WR				
12A	IO-6IOAD				
13A	IO-6CLKT				
14A	IO-6ACK				
15A	AD-6DATT				
16A	IO6CLKR2				
17A	IO-6LD1				
18A	IO6DATR2				
19A	IO-6BD2				
20A	GND				
21A	CO-AIN48				
22A	GND				
23A	CO-AIN47				
24A	GND				
25A	CO-AIN46				
26A	GND				
27A	CO-AIN45				
28A	GND				
29A	-18 V				
30A	+18 V				
31A	+ 5 V 4B				
32A	+ 5 V 4B				

./.

GRP 6 <-- <-- <-- CONTINUATION

ELM 41B 1.862.650.00
 P01 AD A-GR6 (CH 41-48)

PNT	SIGNAL NAME	COLOR	LV	TYPE	F
1B	GND				
2B	GND				
3B					
4B					
5B					
6B					
7B					
8B					
9B					
10B					
11B					
12B					
13B					
14B					
15B					
16B					
17B					
18B					
19B					
20B	GND				
21B	GND				
22B	GND				
23B	GND				
24B	GND				
25B	GND				
26B	GND				
27B	GND				
28B	GND				
29B	-18 V				
30B	+18 V				
31B	+ 5 V 4B				
32B	+ 5 V 4B				

./.

GRP 6 <-- <-- <-- CONTINUATION

ELM 41C 1.862.650.00
 P01 AD A-GR6 (CH 41-48)

PNT	SIGNAL NAME	COLOR	LV	TYPE	F
1C	GND				
2C	GND				
3C	MA-6D15				
4C	MA-6D13				
5C	MA-6D11				
6C	MA-6D09				
7C	MA-6D07				
8C	MA-6D05				
9C	MA-6D03				
10C	MA-6D01				
11C	MA-6RD				
12C					
13C					
14C					
15C					
16C					
17C					
18C					
19C					
20C	GND				
21C	COIAIN48				
22C	GND				
23C	COIAIN47				
24C	GND				
25C	COIAIN46				
26C	GND				
27C	COIAIN45				
28C	GND				
29C	-18 V				
30C	+18 V				
31C	+ 5 V 4B				
32C	+ 5 V 4B				

./.

 * STUDER REVOX AG * L O C A T I O N P I N L I S T * 91/02/19 * 11:24 * P A G E 211 *
 * 1.862.010.00 D820-48 PCM TAPE - RECORDER * 90/03/21 - 00 *
 ASY 4B 1.862.610.00 BACKPANEL AA2: A-GR.5 + A-GR.6 <-- <-- <-- CONTINUATION

GRP 6 <-- <-- <-- CONTINUATION

ELM 42A 1.862.650.00
 P02 AD A-GR6 (CH 41-48)

PNT	SIGNAL NAME	COLOR	LV	TYPE	F
1A	GND				
2A	GND				
3A	CO-AIN44				
4A	GND				
5A	CO-AIN43				
6A	GND				
7A	CO-AIN42				
8A	GND				
9A	CO-AIN41				
10A	GND				
11A					
12A					
13A					
14A	GND				
15A	GND				
16A	GND				
17A	GND				
18A	GND				
19A	GND				
20A					
21A	GND				
22A	CK-CHNR0				
23A	CK-CHNR1				
24A	CK-CHNR2				
25A					
26A	CK-DFCK2				
27A	CK-MCK2				
28A	CK-DMCK2				
29A	-18 V				
30A	+18 V				
31A	+ 5 V 4B				
32A	+ 5 V 4B				

./.

GRP 6 <-- <-- <-- CONTINUATION

ELM 42B 1.862.650.00
 P02 AD A-GR6 (CH 41-48)

PNT	SIGNAL NAME	COLOR	LV	TYPE	F
1B	GND				
2B	GND				
3B	GND				
4B	GND				
5B	GND				
6B	GND				
7B	GND				
8B	GND				
9B	GND				
10B	GND				
11B					
12B					
13B					
14B					
15B					
16B					
17B					
18B					
19B					
20B					
21B					
22B					
23B					
24B					
25B					
26B					
27B					
28B					
29B	-18 V				
30B	+18 V				
31B	+ 5 V 4B				
32B	+ 5 V 4B				

./.

GRP 6 <-- <-- <-- CONTINUATION

ELM 42C 1.862.650.00
 P02 AD A-GR6 (CH 41-48)

PNT	SIGNAL NAME	COLOR	LV	TYPE	F
1C	GND				
2C	GND				
3C	COIAIN44				
4C	GND				
5C	COIAIN43				
6C	GND				
7C	COIAIN42				
8C	GND				
9C	COIAIN41				
10C	GND				
11C					
12C					
13C					
14C	GND				
15C	GND				
16C	GND				
17C	GND				
18C	GND				
19C	GND				
20C					
21C	CP-RESET				
22C	CK-HSYNC				
23C	GND				
24C	GND				
25C					
26C	CKIDFCK1				
27C	CK-IMCK1				
28C	CKIDMCK1				
29C	-18 V				
30C	+18 V				
31C	+ 5 V 4B				
32C	+ 5 V 4B				

./.

STUDER D820 MCH

 * STUDER REVOX AG * L O C A T I O N P I N N L I S T * 91/02/19 * 11:24 * P A G E 212 *

 * 1.862.010.00 D820-48 PCM TAPE - RECORDER * 90/03/21 - 00 *

 ASY 4B 1.862.610.00 BACKPANEL AA2: A-GR.5 + A-GR.6 <-- <-- <-- CONTINUATION

GRP 6 <-- <-- <-- CONTINUATION

ELM 52A 1.862.670.00
P02 BTM

PNT	SIGNAL NAME	COLOR	LV	TYPE	F
1A	GND				
2A	GND				
3A					
4A					
5A					
6A					
7A					
8A					
9A					
10A					
11A					
12A					
13A					
14A	PI-SCLK				
15A	PI-STPH				
16A	PI-SDAT				
17A	PI-SVAL				
18A	RT-BPH0				
19A	RT-BPH1				
20A					
21A	RT-CTLJP				
22A	CK-CHNR0				
23A	CK-CHNR1				
24A	CK-CHNR2				
25A					
26A	CK-DFCK2				
27A	CK-MCK2				
28A	CK-DMCK2				
29A	-18 V				
30A	+18 V				
31A	+ 5 V 4B				
32A	+ 5 V 4B				

GRP 6 <-- <-- <-- CONTINUATION

ELM 52B 1.862.670.00
P02 BTM

PNT	SIGNAL NAME	COLOR	LV	TYPE	F
1B	GND				
2B	GND				
3B					
4B					
5B					
6B					
7B					
8B					
9B					
10B					
11B					
12B					
13B					
14B					
15B					
16B					
17B					
18B					
19B					
20B					
21B					
22B					
23B					
24B					
25B					
26B					
27B					
28B					
29B	-18 V				
30B	+18 V				
31B	+ 5 V 4B				
32B	+ 5 V 4B				

GRP 6 <-- <-- <-- CONTINUATION

ELM 52C 1.862.670.00
P02 BTM

PNT	SIGNAL NAME	COLOR	LV	TYPE	F
1C	GND				
2C	GND				
3C					
4C					
5C					
6C					
7C					
8C					
9C					
10C					
11C					
12C					
13C					
14C	PI-ISCLK				
15C	PI-ISTPH				
16C	PI-ISDAT				
17C	PI-ISVAL				
18C	RT-BLAD0				
19C	RT-BLAD1				
20C					
21C	CP-RESET				
22C	CK-MSYNC				
23C	CK-BSYNC				
24C	CK-SSYNC				
25C					
26C	CKIDFCK2				
27C	CK-IMCK2				
28C	CKIDMCK2				
29C	-18 V				
30C	+18 V				
31C	+ 5 V 4B				
32C	+ 5 V 4B				

 * STUDER REVOX AG * L O C A T I O N P I N N L I S T * 91/02/19 * 11:24 * P A G E 213 *

 * 1.862.010.00 D820-48 PCM TAPE - RECORDER * 90/03/21 - 00 *

 ASY 4B 1.862.610.00 BACKPANEL AA2: A-GR.5 + A-GR.6 <-- <-- <-- CONTINUATION

GRP 10 FLATCABLE CONNECTIONS + POWER TERM.

ELM 11 MA (MAPRO OUT) A-GR.5/CHANNEL 33-40

PNT	SIGNAL NAME	COLOR	LV	TYPE	F
1	MA-CH33				
2	MA-ICH33				
3	MA-CH34				
4	MA-ICH34				
5	MA-CH35				
6	MA-ICH35				
7	MA-CH36				
8	MA-ICH36				
9	MA-CH37				
10	MA-ICH37				
11	MA-CH38				
12	MA-ICH38				
13	MA-CH39				
14	MA-ICH39				
15	MA-CH40				
16	MA-ICH40				

GRP 10 <-- <-- <-- CONTINUATION

ELM 21 DA OUT A-GR.5/CH35,36,39,40

PNT	SIGNAL NAME	COLOR	LV	TYPE	F
1	DA-OUT36				
2	DAIOUT36				
3	GND				
4	GND				
5	DA-OUT40				
6	DAIOUT40				
7	GND				
8	GND				
9	DA-OUT39				
10	DAIOUT39				
11	GND				
12	GND				
13	DA-OUT35				
14	DAIOUT35				
15	GND				
16	GND				

GRP 10 <-- <-- <-- CONTINUATION

ELM 31 AD IN A-GR.5/CHANNEL 37-40

PNT	SIGNAL NAME	COLOR	LV	TYPE	F
1	GND				
2	GND				
3	CO-AIN37				
4	COIAIN37				
5	GND				
6	GND				
7	CO-AIN38				
8	COIAIN38				
9	GND				
10	GND				
11	CO-AIN39				
12	COIAIN39				
13	GND				
14	GND				
15	CO-AIN40				
16	COIAIN40				

ELM 12 TA (MAPRO IN) A-GR.5/CHANNEL 33-40

PNT	SIGNAL NAME	COLOR	LV	TYPE	F
1	TA-CH33				
2	TA-ICH33				
3	TA-CH34				
4	TA-ICH34				
5	TA-CH35				
6	TA-ICH35				
7	TA-CH36				
8	TA-ICH36				
9	TA-CH37				
10	TA-ICH37				
11	TA-CH38				
12	TA-ICH38				
13	TA-CH39				
14	TA-ICH39				
15	TA-CH40				
16	TA-ICH40				

ELM 22 DA OUT A-GR.5/CH33,34,37,38

PNT	SIGNAL NAME	COLOR	LV	TYPE	F
1	DA-OUT34				
2	DAIOUT34				
3	GND				
4	GND				
5	DA-OUT38				
6	DAIOUT38				
7	GND				
8	GND				
9	DA-OUT37				
10	DAIOUT37				
11	GND				
12	GND				
13	DA-OUT33				
14	DAIOUT33				
15	GND				
16	GND				

ELM 32 AD IN A-GR.5/CHANNEL 33-36

PNT	SIGNAL NAME	COLOR	LV	TYPE	F
1	GND				
2	GND				
3	CO-AIN33				
4	COIAIN33				
5	GND				
6	GND				
7	CO-AIN34				
8	COIAIN34				
9	GND				
10	GND				
11	CO-AIN35				
12	COIAIN35				
13	GND				
14	GND				
15	CO-AIN36				
16	COIAIN36				

 * STUDER REVOX AG * L O C A T I O N P I N L I S T * 91/02/19 * 11:24 * P A G E 214 *

 * 1.862.010.00 D820-48 PCM TAPE - RECORDER * 90/03/21 - 00 *

 ASY 4B 1.862.610.00 BACKPANEL AA2: A-GR.5 + A-GR.6 <-- <-- <-- CONTINUATION

GRP 10 <-- <-- <-- CONTINUATION
 =====

ELM 41
 IO A-GR.5+6/CHANNEL 33-48

PNT	SIGNAL NAME	COLOR	LV	TYPE	F
1	IO-DAT50				
2	IOIDAT50				
3	IO-DAT51				
4	IOIDAT51				
5	PP-DAT51				
6	PPIDAT51				
7	PP-DAT50				
8	PPIDAT50				
9	PP-DAT60				
10	PPIDAT60				
11	PP-DAT61				
12	PPIDAT61				
13	IO-DAT61				
14	IOIDAT61				
15	IO-DAT60				
16	IOIDAT60				

ELM 71
 RESERVE 16-PIN

PNT	SIGNAL NAME	COLOR	LV	TYPE	F
1				RESERVE	
2				RESERVE	
3				RESERVE	
4				RESERVE	
5				RESERVE	
6				RESERVE	
7				RESERVE	
8				RESERVE	
9				RESERVE	
10				RESERVE	
11				RESERVE	
12				RESERVE	
13				RESERVE	
14				RESERVE	
15				RESERVE	
16				RESERVE	

./.

GRP 10 <-- <-- <-- CONTINUATION
 =====

ELM 72
 GENERAL BUS ASSY.48

PNT	SIGNAL NAME	COLOR	LV	TYPE	F
1	CK-PHRSY				
2	VC-PUP3				
3	VC-PUP4				
4					
5	PI-SCLK				
6	PI-ISCLK				
7	PI-STPH				
8	PI-ISTPH				
9	PI-SDAT				
10	PI-ISDAT				
11	PI-SVAL				
12	PI-ISVAL				
13	RT-BPH0				
14	RT-BLAD0				
15	RT-BPH1				
16	RT-BLAD1				
17					
18					
19	RT-CTLJP				
20	CP-RESET				
21	CK-CHNR0				
22	CK-MSYNC				
23	CK-CHNR1				
24	CK-BSYNC				
25	CK-CHNR2				
26	CK-SSYNC				
27					
28					
29	CK-DFCK2				
30	CKIDFCK2				
31	CK-MCK2				
32	CK-IMCK2				
33	CK-DMCK2				
34	CKIDMCK2				

ELM 72X
 DUMMY CONNECTOR NOT EXISTENT

PNT	SIGNAL NAME	COLOR	LV	TYPE	F
1				DUMMY	

./.

GRP 10 <-- <-- <-- CONTINUATION
 =====

ELM 80
 POWER-TERMINAL GND

PNT	SIGNAL NAME	COLOR	LV	TYPE	F
1	GND				

ELM 81
 POWER-TERMINAL GND

PNT	SIGNAL NAME	COLOR	LV	TYPE	F
1	GND				

ELM 82
 POWER-TERMINAL GND

PNT	SIGNAL NAME	COLOR	LV	TYPE	F
1	GND				

ELM 83
 POWER-TERMINAL GND

PNT	SIGNAL NAME	COLOR	LV	TYPE	F
1	GND				

ELM 84
 POWER-TERMINAL GND

PNT	SIGNAL NAME	COLOR	LV	TYPE	F
1	GND				

 * STUDER REVOX AG * L O C A T I O N P I N L I S T * 91/02/19 * 11:24 * P A G E 215 *

 * 1.862.010.00 D820-48 PCM TAPE - RECORDER * 90/03/21 - 00 *

 ASY 4B 1.862.610.00 BACKPANEL AA2: A-GR.5 + A-GR.6 <-- <-- <-- CONTINUATION

GRP 11 FLATCABLE CONNECTIONS + POWER TERM.
 =====

ELM 11
 MA (MAPRO OUT) A-GR.6/CHANNEL 41-48

PNT	SIGNAL NAME	COLOR	LV	TYPE	F
1	MA-CH41				
2	MA-ICH41				
3	MA-CH42				
4	MA-ICH42				
5	MA-CH43				
6	MA-ICH43				
7	MA-CH44				
8	MA-ICH44				
9	MA-CH45				
10	MA-ICH45				
11	MA-CH46				
12	MA-ICH46				
13	MA-CH47				
14	MA-ICH47				
15	MA-CH48				
16	MA-ICH48				

ELM 12
 TA (MAPRO IN) A-GR.6/CHANNEL 41-48

PNT	SIGNAL NAME	COLOR	LV	TYPE	F
1	TA-CH41				
2	TA-ICH41				
3	TA-CH42				
4	TA-ICH42				
5	TA-CH43				
6	TA-ICH43				
7	TA-CH44				
8	TA-ICH44				
9	TA-CH45				
10	TA-ICH45				
11	TA-CH46				
12	TA-ICH46				
13	TA-CH47				
14	TA-ICH47				
15	TA-CH48				
16	TA-ICH48				

./.

GRP 11 <-- <-- <-- CONTINUATION
 =====

ELM 21
 DA OUT A-GR.6/CH43,44,47,48

PNT	SIGNAL NAME	COLOR	LV	TYPE	F
1	DA-OUT44				
2	DAIOUT44				
3	GND				
4	GND				
5	DA-OUT48				
6	DAIOUT48				
7	GND				
8	GND				
9	DA-OUT47				
10	DAIOUT47				
11	GND				
12	GND				
13	DA-OUT43				
14	DAIOUT43				
15	GND				
16	GND				

ELM 22
 DA OUT A-GR.6/CH41,42,45,46

PNT	SIGNAL NAME	COLOR	LV	TYPE	F
1	DA-OUT42				
2	DAIOUT42				
3	GND				
4	GND				
5	DA-OUT46				
6	DAIOUT46				
7	GND				
8	GND				
9	DA-OUT45				
10	DAIOUT45				
11	GND				
12	GND				
13	DA-OUT41				
14	DAIOUT41				
15	GND				
16	GND				

./.

GRP 11 <-- <-- <-- CONTINUATION
 =====

ELM 31
 AD IN A-GR.6/CHANNEL 45-48

PNT	SIGNAL NAME	COLOR	LV	TYPE	F
1	GND				
2	GND				
3	CO-AIN45				
4	COIAIN45				
5	GND				
6	GND				
7	CO-AIN46				
8	COIAIN46				
9	GND				
10	GND				
11	CO-AIN47				
12	COIAIN47				
13	GND				
14	GND				
15	CO-AIN48				
16	COIAIN48				

ELM 32
 AD IN A-GR.6/CHANNEL 41-44

PNT	SIGNAL NAME	COLOR	LV	TYPE	F
1	GND				
2	GND				
3	CO-AIN41				
4	COIAIN41				
5	GND				
6	GND				
7	CO-AIN42				
8	COIAIN42				
9	GND				
10	GND				
11	CO-AIN43				
12	COIAIN43				
13	GND				
14	GND				
15	CO-AIN44				
16	COIAIN44				

./.

STUDER D820 MCH

 * STUDER REVOX AG * L O C A T I O N P I N L I S T * 91/02/19 * 11:24 * P A G E 216 *
 * 1.862.010.00 D820-48 PCM TAPE - RECORDER * 90/03/21 - 00 *
 * 1.862.610.00 BACKPANEL AA2: A-GR.5 + A-GR.6 <-- <-- <-- CONTINUATION

GRP 11 <-- <-- <-- CONTINUATION
 =====
 ELM 61A 1.862.601.00
 5V CONVERTER 4B

 PNT SIGNAL NAME COLOR LV TYPE F

 2Z
 4Z OSTABIN
 6Z OSTABIN
 8Z +STABINE
 10Z +STABINE
 12Z
 14Z GND
 16Z GND
 18Z GND
 20Z GND
 22Z GND
 24Z + 5 V 4B
 26Z + 5 V 4B
 28Z + 5 V 4B
 30Z + 5 V 4B
 32Z + 5 V 4B

GRP 11 <-- <-- <-- CONTINUATION
 =====
 ELM 61C 1.862.601.00
 5V CONVERTER 4B

 PNT SIGNAL NAME COLOR LV TYPE F

 2B GND
 4B OSTABIN
 6B OSTABIN
 8B +STABINE
 10B +STABINE
 12B
 14B GND
 16B GND
 18B GND
 20B GND
 22B GND
 24B + 5 V 4B
 26B + 5 V 4B
 28B + 5 V 4B
 30B + 5 V 4B
 32B + 5 V 4B

GRP 11 <-- <-- <-- CONTINUATION
 =====
 ELM 61E 1.862.601.00
 5V CONVERTER 4B

 PNT SIGNAL NAME COLOR LV TYPE F

 2D CK-PHRSY
 4D OSTABIN
 6D OSTABIN
 8D +STABINE
 10D +STABINE
 12D VC-PUP3
 14D GND
 16D GND
 18D GND
 20D GND
 22D GND
 24D + 5 V 4B
 26D + 5 V 4B
 28D + 5 V 4B
 30D + 5 V 4B
 32D + 5 V 4B

ELM 61B
 DUMMY CONNECTOR NOT EXISTENT

 PNT SIGNAL NAME COLOR LV TYPE F

 1 DUMMY
 2 DUMMY
 3 DUMMY
 4 DUMMY
 5 DUMMY
 6 DUMMY
 7 DUMMY
 8 DUMMY
 9 DUMMY
 10 DUMMY
 11 DUMMY
 12 DUMMY
 13 DUMMY
 14 DUMMY
 15 DUMMY
 16 DUMMY

ELM 61D
 DUMMY CONNECTOR NOT EXISTENT

 PNT SIGNAL NAME COLOR LV TYPE F

 1 DUMMY
 2 DUMMY
 3 DUMMY
 4 DUMMY
 5 DUMMY
 6 DUMMY
 7 DUMMY
 8 DUMMY
 9 DUMMY
 10 DUMMY
 11 DUMMY
 12 DUMMY
 13 DUMMY
 14 DUMMY
 15 DUMMY
 16 DUMMY

ELM 61F
 DUMMY CONNECTOR NOT EXISTENT

 PNT SIGNAL NAME COLOR LV TYPE F

 1 DUMMY
 2 DUMMY
 3 DUMMY
 4 DUMMY
 5 DUMMY
 6 DUMMY
 7 DUMMY
 8 DUMMY
 9 DUMMY
 10 DUMMY
 11 DUMMY
 12 DUMMY
 13 DUMMY
 14 DUMMY
 15 DUMMY
 16 DUMMY

 * STUDER REVOX AG * L O C A T I O N P I N L I S T * 91/02/19 * 11:24 * P A G E 217 *
 * 1.862.010.00 D820-48 PCM TAPE - RECORDER * 90/03/21 - 00 *
 * 1.862.610.00 BACKPANEL AA2: A-GR.5 + A-GR.6 <-- <-- <-- CONTINUATION

GRP 11 <-- <-- <-- CONTINUATION
 =====
 ELM 62A 1.862.601.00
 5V CONVERTER 4A

 PNT SIGNAL NAME COLOR LV TYPE F

 2Z
 4Z OSTABIN
 6Z OSTABIN
 8Z +STABINF
 10Z +STABINF
 12Z
 14Z GND
 16Z GND
 18Z GND
 20Z GND
 22Z GND
 24Z + 5 V 4A
 26Z + 5 V 4A
 28Z + 5 V 4A
 30Z + 5 V 4A
 32Z + 5 V 4A

GRP 11 <-- <-- <-- CONTINUATION
 =====
 ELM 62C 1.862.601.00
 5V CONVERTER 4A

 PNT SIGNAL NAME COLOR LV TYPE F

 2B GND
 4B OSTABIN
 6B OSTABIN
 8B +STABINF
 10B +STABINF
 12B
 14B GND
 16B GND
 18B GND
 20B GND
 22B GND
 24B + 5 V 4A
 26B + 5 V 4A
 28B + 5 V 4A
 30B + 5 V 4A
 32B + 5 V 4A

GRP 11 <-- <-- <-- CONTINUATION
 =====
 ELM 62E 1.862.601.00
 5V CONVERTER 4A

 PNT SIGNAL NAME COLOR LV TYPE F

 2D CK-PHRSY
 4D OSTABIN
 6D OSTABIN
 8D +STABINF
 10D +STABINF
 12D VC-PUP4
 14D GND
 16D GND
 18D GND
 20D GND
 22D GND
 24D + 5 V 4A
 26D + 5 V 4A
 28D + 5 V 4A
 30D + 5 V 4A
 32D + 5 V 4A

ELM 62B
 DUMMY CONNECTOR NOT EXISTENT

 PNT SIGNAL NAME COLOR LV TYPE F

 1 DUMMY
 2 DUMMY
 3 DUMMY
 4 DUMMY
 5 DUMMY
 6 DUMMY
 7 DUMMY
 8 DUMMY
 9 DUMMY
 10 DUMMY
 11 DUMMY
 12 DUMMY
 13 DUMMY
 14 DUMMY
 15 DUMMY
 16 DUMMY

ELM 62D
 DUMMY CONNECTOR NOT EXISTENT

 PNT SIGNAL NAME COLOR LV TYPE F

 1 DUMMY
 2 DUMMY
 3 DUMMY
 4 DUMMY
 5 DUMMY
 6 DUMMY
 7 DUMMY
 8 DUMMY
 9 DUMMY
 10 DUMMY
 11 DUMMY
 12 DUMMY
 13 DUMMY
 14 DUMMY
 15 DUMMY
 16 DUMMY

ELM 62F
 DUMMY CONNECTOR NOT EXISTENT

 PNT SIGNAL NAME COLOR LV TYPE F

 1 DUMMY
 2 DUMMY
 3 DUMMY
 4 DUMMY
 5 DUMMY
 6 DUMMY
 7 DUMMY
 8 DUMMY
 9 DUMMY
 10 DUMMY
 11 DUMMY
 12 DUMMY
 13 DUMMY
 14 DUMMY
 15 DUMMY
 16 DUMMY
 17 DUMMY
 18 DUMMY
 19 DUMMY
 20 DUMMY
 21 DUMMY
 22 DUMMY
 23 DUMMY
 24 DUMMY

 * STUDER REVOX AG * L O C A T I O N P I N L I S T * 91/02/19 * 11:24 * P A G E 218 *

 * 1.862.010.00 D820-48 PCM TAPE - RECORDER * 90/03/21 - 00 *

 ASY 4B 1.862.610.00 BACKPANEL AA2: A-GR.5 + A-GR.6 <-- <-- <-- CONTINUATION

GRP 11 <-- <-- <-- CONTINUATION
 =====

ELM 71
 POWER-TERMINAL 0 V

 PNT SIGNAL NAME COLOR LV TYPE F

 1 OSTABIN

ELM 72
 POWER-TERMINAL +60 V

 PNT SIGNAL NAME COLOR LV TYPE F

 1 +STABINE

ELM 73
 POWER-TERMINAL + 5 V 4B

 PNT SIGNAL NAME COLOR LV TYPE F

 1 + 5 V 4B

ELM 74
 POWER-TERMINAL 0 V

 PNT SIGNAL NAME COLOR LV TYPE F

 1 OSTABIN

ELM 75
 POWER-TERMINAL +60 V

 PNT SIGNAL NAME COLOR LV TYPE F

 1 +STABINF

ELM 76
 POWER-TERMINAL + 5 V 4A

 PNT SIGNAL NAME COLOR LV TYPE F

 1 + 5 V 4A

./.

GRP 11 <-- <-- <-- CONTINUATION
 =====

ELM 77
 POWER-TERMINAL -18 V

 PNT SIGNAL NAME COLOR LV TYPE F

 1 -18 V

ELM 78
 POWER-TERMINAL +18 V

 PNT SIGNAL NAME COLOR LV TYPE F

 1 +18 V

ELM 80
 POWER-TERMINAL GND

 PNT SIGNAL NAME COLOR LV TYPE F

 1 GND

ELM 81
 POWER-TERMINAL GND

 PNT SIGNAL NAME COLOR LV TYPE F

 1 GND

ELM 82
 POWER-TERMINAL GND

 PNT SIGNAL NAME COLOR LV TYPE F

 1 GND

ELM 83
 POWER-TERMINAL GND

 PNT SIGNAL NAME COLOR LV TYPE F

 1 GND

./.

GRP 11 <-- <-- <-- CONTINUATION
 =====

ELM 99
 EMPTY PAGE

PNT SIGNAL NAME	COLOR	LV TYPE	F
1		DUMMY	
2		DUMMY	
3		DUMMY	
4		DUMMY	
5		DUMMY	
6		DUMMY	
7		DUMMY	
8		DUMMY	
9		DUMMY	
10		DUMMY	
11		DUMMY	
12		DUMMY	
13		DUMMY	
14		DUMMY	
15		DUMMY	
16		DUMMY	
17		DUMMY	
18		DUMMY	
19		DUMMY	
20		DUMMY	
21		DUMMY	
22		DUMMY	
23		DUMMY	
24		DUMMY	
25		DUMMY	
26		DUMMY	
27		DUMMY	
28		DUMMY	
29		DUMMY	
30		DUMMY	
31		DUMMY	
32		DUMMY	
33		DUMMY	
34		DUMMY	
35		DUMMY	
36		DUMMY	
37		DUMMY	
38		DUMMY	
39		DUMMY	
40		DUMMY	
41		DUMMY	
42		DUMMY	
43		DUMMY	
44		DUMMY	
45		DUMMY	
46		DUMMY	
47		DUMMY	

./.

 * STUDER REVOX AG * L O C A T I O N P I N L I S T * 91/02/19 * 11:24 * P A G E 219 *

 * 1.862.010.00 D820-48 PCM TAPE - RECORDER * 90/03/21 - 00 *

 ASY 4B 1.862.610.00 BACKPANEL AA2: A-GR.5 + A-GR.6 <-- <-- <-- CONTINUATION

GRP 11 <-- <-- <-- CONTINUATION
 =====

ELM 99 <-- <-- <-- CONTINUATION

PNT SIGNAL NAME	COLOR	LV TYPE	F
48		DUMMY	
49		DUMMY	
50		DUMMY	

STUDER D820 MCH

```
*****
* STUDER REVOX AG * L O C A T I O N P I N L I S T * 91/02/19 * 11:24 * P A G E 220 *
* 1.862.010.00 D820-48 PCM TAPE - RECORDER * 90/03/21 - 00 *
* ASY 5A 1.862.000.00 CONNECTOR-PANEL (6* ANCONC) *****
```

GRP 1
ANALOG AUDIO IN/OUT A-GR.1/CH 1- 8
=====

ELM 1
ANALOG AUDIO OUT A-GR.1/CH 1- 8

PNT	SIGNAL NAME	COLOR	LV	TYPE	F
1A	DA-OUT01				
1B	DAIOUT01				
1C	GND				
2A	DA-OUT02				
2B	DAIOUT02				
2C	GND				
3A	DA-OUT03				
3B	DAIOUT03				
3C	GND				
4A	DA-OUT04				
4B	DAIOUT04				
4C	GND				
5A	DA-OUT05				
5B	DAIOUT05				
5C	GND				
6A	DA-OUT06				
6B	DAIOUT06				
6C	GND				
7A	DA-OUT07				
7B	DAIOUT07				
7C	GND				
8A	DA-OUT08				
8B	DAIOUT08				
8C	GND				
9A					
9B					
9C	GND				
10A					
10B					
10C	GND				

GRP 1 <-- <-- <-- CONTINUATION
=====

ELM 2
ANALOG AUDIO IN A-GR.1/CH 1- 8

PNT	SIGNAL NAME	COLOR	LV	TYPE	F
1A	CO-AIN01				
1B	COIAIN01				
1C	GND				
2A	CO-AIN02				
2B	COIAIN02				
2C	GND				
3A	CO-AIN03				
3B	COIAIN03				
3C	GND				
4A	CO-AIN04				
4B	COIAIN04				
4C	GND				
5A	CO-AIN05				
5B	COIAIN05				
5C	GND				
6A	CO-AIN06				
6B	COIAIN06				
6C	GND				
7A	CO-AIN07				
7B	COIAIN07				
7C	GND				
8A	CO-AIN08				
8B	COIAIN08				
8C	GND				
9A					
9B					
9C	GND				
10A					
10B					
10C	GND				

GRP 1 <-- <-- <-- CONTINUATION
=====

ELM 2X
DUMMY CONNECTOR NOT EXISTENT 30PIN

PNT	SIGNAL NAME	COLOR	LV	TYPE	F
1				DUMMY	
2				DUMMY	
3				DUMMY	
4				DUMMY	
5				DUMMY	
6				DUMMY	
7				DUMMY	
8				DUMMY	
9				DUMMY	
10				DUMMY	
11				DUMMY	
12				DUMMY	
13				DUMMY	
14				DUMMY	
15				DUMMY	
16				DUMMY	
17				DUMMY	
18				DUMMY	
19				DUMMY	
20				DUMMY	
21				DUMMY	
22				DUMMY	
23				DUMMY	
24				DUMMY	
25				DUMMY	
26				DUMMY	
27				DUMMY	
28				DUMMY	
29				DUMMY	
30				DUMMY	

```
*****
* STUDER REVOX AG * L O C A T I O N P I N L I S T * 91/02/19 * 11:24 * P A G E 221 *
* 1.862.010.00 D820-48 PCM TAPE - RECORDER * 90/03/21 - 00 *
* ASY 5A 1.862.000.00 CONNECTOR-PANEL (6* ANCONC) *****
```

GRP 1 <-- <-- <-- CONTINUATION
=====

ELM 11
DA OUT A-GR.1/CH 3, 4, 7, 8

PNT	SIGNAL NAME	COLOR	LV	TYPE	F
1	DA-OUT04				
2	DAIOUT04				
3	GND				
4	GND				
5	DA-OUT08				
6	DAIOUT08				
7	GND				
8	GND				
9	DA-OUT07				
10	DAIOUT07				
11	GND				
12	GND				
13	DA-OUT03				
14	DAIOUT03				
15	GND				
16	GND				

GRP 1 <-- <-- <-- CONTINUATION
=====

ELM 21
AD IN A-GR.1/CHANNEL 5- 8

PNT	SIGNAL NAME	COLOR	LV	TYPE	F
1	GND				
2	GND				
3	CO-AIN05				
4	COIAIN05				
5	GND				
6	GND				
7	CO-AIN06				
8	COIAIN06				
9	GND				
10	GND				
11	CO-AIN07				
12	COIAIN07				
13	GND				
14	GND				
15	CO-AIN08				
16	COIAIN08				

GRP 1 <-- <-- <-- CONTINUATION
=====

ELM 32
POWER TERMINAL GND

PNT	SIGNAL NAME	COLOR	LV	TYPE	F
1	GND				

ELM 33
POWER TERMINAL GND

PNT	SIGNAL NAME	COLOR	LV	TYPE	F
1	GND				

GRP 1 <-- <-- <-- CONTINUATION
=====

ELM 12
DA OUT A-GR.1/CH 1, 2, 5, 6

PNT	SIGNAL NAME	COLOR	LV	TYPE	F
1	DA-OUT02				
2	DAIOUT02				
3	GND				
4	GND				
5	DA-OUT06				
6	DAIOUT06				
7	GND				
8	GND				
9	DA-OUT05				
10	DAIOUT05				
11	GND				
12	GND				
13	DA-OUT01				
14	DAIOUT01				
15	GND				
16	GND				

GRP 1 <-- <-- <-- CONTINUATION
=====

ELM 22
AD IN A-GR.1/CHANNEL 1- 4

PNT	SIGNAL NAME	COLOR	LV	TYPE	F
1	GND				
2	GND				
3	CO-AIN01				
4	COIAIN01				
5	GND				
6	GND				
7	CO-AIN02				
8	COIAIN02				
9	GND				
10	GND				
11	CO-AIN03				
12	COIAIN03				
13	GND				
14	GND				
15	CO-AIN04				
16	COIAIN04				

ELM 22X
DUMMY CONNECTOR NOT EXISTENT 1PIN

PNT	SIGNAL NAME	COLOR	LV	TYPE	F
1				DUMMY	

 * STUDER REVOX AG * L O C A T I O N P I N L I S T * 91/02/19 * 11:24 * P A G E 222 *

 * 1.862.010.00 D820-48 PCM TAPE - RECORDER * 90/03/21 - 00 *

 ASY 5A 1.862.000.00 CONNECTOR-PANEL (6* ANCONC) <-- <-- <-- CONTINUATION

GRP 2
 ANALOG AUDIO IN/OUT A-GR.2/CH 9-16
 =====

ELM 1
 ANALOG AUDIO OUT A-GR.2/CH 9-16

PNT	SIGNAL NAME	COLOR	LV	TYPE	F
1A	DA-OUT09				
1B	DAIOUT09				
1C	GND				
2A	DA-OUT10				
2B	DAIOUT10				
2C	GND				
3A	DA-OUT11				
3B	DAIOUT11				
3C	GND				
4A	DA-OUT12				
4B	DAIOUT12				
4C	GND				
5A	DA-OUT13				
5B	DAIOUT13				
5C	GND				
6A	DA-OUT14				
6B	DAIOUT14				
6C	GND				
7A	DA-OUT15				
7B	DAIOUT15				
7C	GND				
8A	DA-OUT16				
8B	DAIOUT16				
8C	GND				
9A					
9B					
9C	GND				
10A					
10B					
10C	GND				

./.

GRP 2 <-- <-- <-- CONTINUATION
 =====

ELM 2
 ANALOG AUDIO IN A-GR.2/CH 9-16

PNT	SIGNAL NAME	COLOR	LV	TYPE	F
1A	CO-AIN09				
1B	COIAIN09				
1C	GND				
2A	CO-AIN10				
2B	COIAIN10				
2C	GND				
3A	CO-AIN11				
3B	COIAIN11				
3C	GND				
4A	CO-AIN12				
4B	COIAIN12				
4C	GND				
5A	CO-AIN13				
5B	COIAIN13				
5C	GND				
6A	CO-AIN14				
6B	COIAIN14				
6C	GND				
7A	CO-AIN15				
7B	COIAIN15				
7C	GND				
8A	CO-AIN16				
8B	COIAIN16				
8C	GND				
9A					
9B					
9C	GND				
10A					
10B					
10C	GND				

./.

GRP 2 <-- <-- <-- CONTINUATION
 =====

ELM 2X
 DUMMY CONNECTOR NOT EXISTENT 30PIN

PNT	SIGNAL NAME	COLOR	LV	TYPE	F
1				DUMMY	
2				DUMMY	
3				DUMMY	
4				DUMMY	
5				DUMMY	
6				DUMMY	
7				DUMMY	
8				DUMMY	
9				DUMMY	
10				DUMMY	
11				DUMMY	
12				DUMMY	
13				DUMMY	
14				DUMMY	
15				DUMMY	
16				DUMMY	
17				DUMMY	
18				DUMMY	
19				DUMMY	
20				DUMMY	
21				DUMMY	
22				DUMMY	
23				DUMMY	
24				DUMMY	
25				DUMMY	
26				DUMMY	
27				DUMMY	
28				DUMMY	
29				DUMMY	
30				DUMMY	

./.

 * STUDER REVOX AG * L O C A T I O N P I N L I S T * 91/02/19 * 11:24 * P A G E 223 *

 * 1.862.010.00 D820-48 PCM TAPE - RECORDER * 90/03/21 - 00 *

 ASY 5A 1.862.000.00 CONNECTOR-PANEL (6* ANCONC) <-- <-- <-- CONTINUATION

GRP 2 <-- <-- <-- CONTINUATION
 =====

ELM 11
 DA OUT A-GR.2/CH11,12,15,16

PNT	SIGNAL NAME	COLOR	LV	TYPE	F
1	DA-OUT12				
2	DAIOUT12				
3	GND				
4	GND				
5	DA-OUT16				
6	DAIOUT16				
7	GND				
8	GND				
9	DA-OUT15				
10	DAIOUT15				
11	GND				
12	GND				
13	DA-OUT11				
14	DAIOUT11				
15	GND				
16	GND				

./.

GRP 2 <-- <-- <-- CONTINUATION
 =====

ELM 21
 AD IN A-GR.2/CHANNEL 13-16

PNT	SIGNAL NAME	COLOR	LV	TYPE	F
1	GND				
2	GND				
3	CO-AIN13				
4	COIAIN13				
5	GND				
6	GND				
7	CO-AIN14				
8	COIAIN14				
9	GND				
10	GND				
11	CO-AIN15				
12	COIAIN15				
13	GND				
14	GND				
15	CO-AIN16				
16	COIAIN16				

./.

GRP 2 <-- <-- <-- CONTINUATION
 =====

ELM 32
 POWER TERMINAL GND

PNT	SIGNAL NAME	COLOR	LV	TYPE	F
1	GND				

ELM 33
 POWER TERMINAL GND

PNT	SIGNAL NAME	COLOR	LV	TYPE	F
1	GND				

ELM 12
 DA OUT A-GR.2/CH 9,10,13,14

PNT	SIGNAL NAME	COLOR	LV	TYPE	F
1	DA-OUT10				
2	DAIOUT10				
3	GND				
4	GND				
5	DA-OUT14				
6	DAIOUT14				
7	GND				
8	GND				
9	DA-OUT13				
10	DAIOUT13				
11	GND				
12	GND				
13	DA-OUT09				
14	DAIOUT09				
15	GND				
16	GND				

./.

ELM 22
 AD IN A-GR.2/CHANNEL 9-12

PNT	SIGNAL NAME	COLOR	LV	TYPE	F
1	GND				
2	GND				
3	CO-AIN09				
4	COIAIN09				
5	GND				
6	GND				
7	CO-AIN10				
8	COIAIN10				
9	GND				
10	GND				
11	CO-AIN11				
12	COIAIN11				
13	GND				
14	GND				
15	CO-AIN12				
16	COIAIN12				

./.

ELM 22X
 DUMMY CONNECTOR NOT EXISTENT 1PIN

PNT	SIGNAL NAME	COLOR	LV	TYPE	F
1				DUMMY	

STUDER D820 MCH

```
*****
*   STUDER REVOX AG *   L O C A T I O N   P I N   L I S T   * 91/02/19 * 11:24 * PAGE 224 *
*****
*   1.862.010.00 D820-48 PCM TAPE - RECORDER * 90/03/21 - 00 *
*****
ASY 5A 1.862.000.00 CONNECTOR-PANEL (6* ANCONC) <-- <-- <-- CONTINUATION
```

```
GRP 3
=====
ANALOG AUDIO IN/OUT A-GR.3/CH 17-24
```

```
ELM 1
=====
ANALOG AUDIO OUT A-GR.3/CH 17-24
```

PNT	SIGNAL NAME	COLOR	LV TYPE	F
1A	DA-OUT17			
1B	DAIOUT17			
1C	GND			
2A	DA-OUT18			
2B	DAIOUT18			
2C	GND			
3A	DA-OUT19			
3B	DAIOUT19			
3C	GND			
4A	DA-OUT20			
4B	DAIOUT20			
4C	GND			
5A	DA-OUT21			
5B	DAIOUT21			
5C	GND			
6A	DA-OUT22			
6B	DAIOUT22			
6C	GND			
7A	DA-OUT23			
7B	DAIOUT23			
7C	GND			
8A	DA-OUT24			
8B	DAIOUT24			
8C	GND			
9A				
9B				
9C	GND			
10A				
10B				
10C	GND			

```
GRP 3
=====
<-- <-- <-- CONTINUATION
```

```
ELM 2
=====
ANALOG AUDIO IN A-GR.3/CH 17-24
```

PNT	SIGNAL NAME	COLOR	LV TYPE	F
1A	CO-AIN17			
1B	COIAIN17			
1C	GND			
2A	CO-AIN18			
2B	COIAIN18			
2C	GND			
3A	CO-AIN19			
3B	COIAIN19			
3C	GND			
4A	CO-AIN20			
4B	COIAIN20			
4C	GND			
5A	CO-AIN21			
5B	COIAIN21			
5C	GND			
6A	CO-AIN22			
6B	COIAIN22			
6C	GND			
7A	CO-AIN23			
7B	COIAIN23			
7C	GND			
8A	CO-AIN24			
8B	COIAIN24			
8C	GND			
9A				
9B				
9C	GND			
10A				
10B				
10C	GND			

```
GRP 3
=====
<-- <-- <-- CONTINUATION
```

```
ELM 2X
=====
DUMMY CONNECTOR NOT EXISTENT 30PIN
```

PNT	SIGNAL NAME	COLOR	LV TYPE	F
1			DUMMY	
2			DUMMY	
3			DUMMY	
4			DUMMY	
5			DUMMY	
6			DUMMY	
7			DUMMY	
8			DUMMY	
9			DUMMY	
10			DUMMY	
11			DUMMY	
12			DUMMY	
13			DUMMY	
14			DUMMY	
15			DUMMY	
16			DUMMY	
17			DUMMY	
18			DUMMY	
19			DUMMY	
20			DUMMY	
21			DUMMY	
22			DUMMY	
23			DUMMY	
24			DUMMY	
25			DUMMY	
26			DUMMY	
27			DUMMY	
28			DUMMY	
29			DUMMY	
30			DUMMY	

```
*****
*   STUDER REVOX AG *   L O C A T I O N   P I N   L I S T   * 91/02/19 * 11:24 * PAGE 225 *
*****
*   1.862.010.00 D820-48 PCM TAPE - RECORDER * 90/03/21 - 00 *
*****
ASY 5A 1.862.000.00 CONNECTOR-PANEL (6* ANCONC) <-- <-- <-- CONTINUATION
```

```
GRP 3
=====
<-- <-- <-- CONTINUATION
```

```
ELM 11
=====
DA OUT A-GR.3/CH19,20,23,24
```

PNT	SIGNAL NAME	COLOR	LV TYPE	F
1	DA-OUT20			
2	DAIOUT20			
3	GND			
4	GND			
5	DA-OUT24			
6	DAIOUT24			
7	GND			
8	GND			
9	DA-OUT23			
10	DAIOUT23			
11	GND			
12	GND			
13	DA-OUT19			
14	DAIOUT19			
15	GND			
16	GND			

```
GRP 3
=====
<-- <-- <-- CONTINUATION
```

```
ELM 21
=====
AD IN A-GR.3/CHANNEL 21-24
```

PNT	SIGNAL NAME	COLOR	LV TYPE	F
1	GND			
2	GND			
3	CO-AIN21			
4	COIAIN21			
5	GND			
6	GND			
7	CO-AIN22			
8	COIAIN22			
9	GND			
10	GND			
11	CO-AIN23			
12	COIAIN23			
13	GND			
14	GND			
15	CO-AIN24			
16	COIAIN24			

```
GRP 3
=====
<-- <-- <-- CONTINUATION
```

```
ELM 32
=====
POWER TERMINAL GND
```

PNT	SIGNAL NAME	COLOR	LV TYPE	F
1	GND			

```
ELM 33
=====
POWER TERMINAL GND
```

PNT	SIGNAL NAME	COLOR	LV TYPE	F
1	GND			

```
ELM 12
=====
DA OUT A-GR.3/CH17,18,21,22
```

PNT	SIGNAL NAME	COLOR	LV TYPE	F
1	DA-OUT18			
2	DAIOUT18			
3	GND			
4	GND			
5	DA-OUT22			
6	DAIOUT22			
7	GND			
8	GND			
9	DA-OUT21			
10	DAIOUT21			
11	GND			
12	GND			
13	DA-OUT17			
14	DAIOUT17			
15	GND			
16	GND			

```
ELM 22
=====
AD IN A-GR.3/CHANNEL 17-20
```

PNT	SIGNAL NAME	COLOR	LV TYPE	F
1	GND			
2	GND			
3	CO-AIN17			
4	COIAIN17			
5	GND			
6	GND			
7	CO-AIN18			
8	COIAIN18			
9	GND			
10	GND			
11	CO-AIN19			
12	COIAIN19			
13	GND			
14	GND			
15	CO-AIN20			
16	COIAIN20			

```
ELM 22X
=====
DUMMY CONNECTOR NOT EXISTENT 1PIN
```

PNT	SIGNAL NAME	COLOR	LV TYPE	F
1			DUMMY	

 * STUDER REVOX AG * L O C A T I O N P I N L I S T * 91/02/19 * 11:24 * P A G E 226 *
 * 1.862.010.00 D820-48 PCM TAPE - RECORDER * 90/03/21 - 00 *

 ASY 5A 1.862.000.00 CONNECTOR-PANEL (6* ANCONC) <-- <-- <-- CONTINUATION

GRP 4
 ANALOG AUDIO IN/OUT A-GR.4/CH 25-32
 =====

ELM 1
 ANALOG AUDIO OUT A-GR.4/CH 25-32

PNT	SIGNAL NAME	COLOR	LV	TYPE	F
1A	DA-OUT25				
1B	DAIOUT25				
1C	GND				
2A	DA-OUT26				
2B	DAIOUT26				
2C	GND				
3A	DA-OUT27				
3B	DAIOUT27				
3C	GND				
4A	DA-OUT28				
4B	DAIOUT28				
4C	GND				
5A	DA-OUT29				
5B	DAIOUT29				
5C	GND				
6A	DA-OUT30				
6B	DAIOUT30				
6C	GND				
7A	DA-OUT31				
7B	DAIOUT31				
7C	GND				
8A	DA-OUT32				
8B	DAIOUT32				
8C	GND				
9A					
9B					
9C	GND				
10A					
10B					
10C	GND				

./.

GRP 4 <-- <-- <-- CONTINUATION
 =====

ELM 2
 ANALOG AUDIO IN A-GR.4/CH 25-32

PNT	SIGNAL NAME	COLOR	LV	TYPE	F
1A	CO-AIN25				
1B	COIAIN25				
1C	GND				
2A	CO-AIN26				
2B	COIAIN26				
2C	GND				
3A	CO-AIN27				
3B	COIAIN27				
3C	GND				
4A	CO-AIN28				
4B	COIAIN28				
4C	GND				
5A	CO-AIN29				
5B	COIAIN29				
5C	GND				
6A	CO-AIN30				
6B	COIAIN30				
6C	GND				
7A	CO-AIN31				
7B	COIAIN31				
7C	GND				
8A	CO-AIN32				
8B	COIAIN32				
8C	GND				
9A					
9B					
9C	GND				
10A					
10B					
10C	GND				

./.

GRP 4 <-- <-- <-- CONTINUATION
 =====

ELM 2X
 DUMMY CONNECTOR NOT EXISTENT 30PIN

PNT	SIGNAL NAME	COLOR	LV	TYPE	F
1				DUMMY	
2				DUMMY	
3				DUMMY	
4				DUMMY	
5				DUMMY	
6				DUMMY	
7				DUMMY	
8				DUMMY	
9				DUMMY	
10				DUMMY	
11				DUMMY	
12				DUMMY	
13				DUMMY	
14				DUMMY	
15				DUMMY	
16				DUMMY	
17				DUMMY	
18				DUMMY	
19				DUMMY	
20				DUMMY	
21				DUMMY	
22				DUMMY	
23				DUMMY	
24				DUMMY	
25				DUMMY	
26				DUMMY	
27				DUMMY	
28				DUMMY	
29				DUMMY	
30				DUMMY	

./.

 * STUDER REVOX AG * L O C A T I O N P I N L I S T * 91/02/19 * 11:24 * P A G E 227 *
 * 1.862.010.00 D820-48 PCM TAPE - RECORDER * 90/03/21 - 00 *

 ASY 5A 1.862.000.00 CONNECTOR-PANEL (6* ANCONC) <-- <-- <-- CONTINUATION

GRP 4 <-- <-- <-- CONTINUATION
 =====

ELM 11
 DA OUT A-GR.4/CH27,28,31,32

PNT	SIGNAL NAME	COLOR	LV	TYPE	F
1	DA-OUT28				
2	DAIOUT28				
3	GND				
4	GND				
5	DA-OUT32				
6	DAIOUT32				
7	GND				
8	GND				
9	DA-OUT31				
10	DAIOUT31				
11	GND				
12	GND				
13	DA-OUT27				
14	DAIOUT27				
15	GND				
16	GND				

./.

GRP 4 <-- <-- <-- CONTINUATION
 =====

ELM 21
 AD IN A-GR.4/CHANNEL 29-32

PNT	SIGNAL NAME	COLOR	LV	TYPE	F
1	GND				
2	GND				
3	CO-AIN29				
4	COIAIN29				
5	GND				
6	GND				
7	CO-AIN30				
8	COIAIN30				
9	GND				
10	GND				
11	CO-AIN31				
12	COIAIN31				
13	GND				
14	GND				
15	CO-AIN32				
16	COIAIN32				

GRP 4 <-- <-- <-- CONTINUATION
 =====

ELM 32
 POWER TERMINAL GND

PNT	SIGNAL NAME	COLOR	LV	TYPE	F
1	GND				

ELM 33
 POWER TERMINAL GND

PNT	SIGNAL NAME	COLOR	LV	TYPE	F
1	GND				

ELM 12
 DA OUT A-GR.4/CH25,26,29,30

PNT	SIGNAL NAME	COLOR	LV	TYPE	F
1	DA-OUT26				
2	DAIOUT26				
3	GND				
4	GND				
5	DA-OUT30				
6	DAIOUT30				
7	GND				
8	GND				
9	DA-OUT29				
10	DAIOUT29				
11	GND				
12	GND				
13	DA-OUT25				
14	DAIOUT25				
15	GND				
16	GND				

ELM 22
 AD IN A-GR.4/CHANNEL 25-28

PNT	SIGNAL NAME	COLOR	LV	TYPE	F
1	GND				
2	GND				
3	CO-AIN25				
4	COIAIN25				
5	GND				
6	GND				
7	CO-AIN26				
8	COIAIN26				
9	GND				
10	GND				
11	CO-AIN27				
12	COIAIN27				
13	GND				
14	GND				
15	CO-AIN28				
16	COIAIN28				

ELM 22X
 DUMMY CONNECTOR NOT EXISTENT 1PIN

PNT	SIGNAL NAME	COLOR	LV	TYPE	F
1				DUMMY	

STUDER D820 MCH

```
*****
*   STUDER REVOX AG *   L O C A T I O N   P I N   L I S T   * 91/02/19 * 11:24 * P A G E 228 *
*****
*   1.862.010.00 D820-48 PCM TAPE - RECORDER * 90/03/21 - 00 *
*****
ASY 5A 1.862.000.00 CONNECTOR-PANEL (6* ANCONC) <-- <-- <-- CONTINUATION
```

```
GRP 5
=====
ANALOG AUDIO IN/OUT A-GR.5/CH 33-40
=====
```

```
ELM 1
ANALOG AUDIO OUT A-GR.5/CH 33-40
```

PNT	SIGNAL NAME	COLOR	LV	TYPE	F
1A	DA-OUT33				
1B	DAIOUT33				
1C	GND				
2A	DA-OUT34				
2B	DAIOUT34				
2C	GND				
3A	DA-OUT35				
3B	DAIOUT35				
3C	GND				
4A	DA-OUT36				
4B	DAIOUT36				
4C	GND				
5A	DA-OUT37				
5B	DAIOUT37				
5C	GND				
6A	DA-OUT38				
6B	DAIOUT38				
6C	GND				
7A	DA-OUT39				
7B	DAIOUT39				
7C	GND				
8A	DA-OUT40				
8B	DAIOUT40				
8C	GND				
9A					
9B					
9C	GND				
10A					
10B					
10C	GND				

```
GRP 5 <-- <-- <-- CONTINUATION
=====
```

```
ELM 2
ANALOG AUDIO IN A-GR.5/CH 33-40
```

PNT	SIGNAL NAME	COLOR	LV	TYPE	F
1A	CO-AIN33				
1B	COIAIN33				
1C	GND				
2A	CO-AIN34				
2B	COIAIN34				
2C	GND				
3A	CO-AIN35				
3B	COIAIN35				
3C	GND				
4A	CO-AIN36				
4B	COIAIN36				
4C	GND				
5A	CO-AIN37				
5B	COIAIN37				
5C	GND				
6A	CO-AIN38				
6B	COIAIN38				
6C	GND				
7A	CO-AIN39				
7B	COIAIN39				
7C	GND				
8A	CO-AIN40				
8B	COIAIN40				
8C	GND				
9A					
9B					
9C	GND				
10A					
10B					
10C	GND				

```
GRP 5 <-- <-- <-- CONTINUATION
=====
```

```
ELM 2X
DUMMY CONNECTOR NOT EXISTENT 30PIN
```

PNT	SIGNAL NAME	COLOR	LV	TYPE	F
1				DUMMY	
2				DUMMY	
3				DUMMY	
4				DUMMY	
5				DUMMY	
6				DUMMY	
7				DUMMY	
8				DUMMY	
9				DUMMY	
10				DUMMY	
11				DUMMY	
12				DUMMY	
13				DUMMY	
14				DUMMY	
15				DUMMY	
16				DUMMY	
17				DUMMY	
18				DUMMY	
19				DUMMY	
20				DUMMY	
21				DUMMY	
22				DUMMY	
23				DUMMY	
24				DUMMY	
25				DUMMY	
26				DUMMY	
27				DUMMY	
28				DUMMY	
29				DUMMY	
30				DUMMY	

```
*****
*   STUDER REVOX AG *   L O C A T I O N   P I N   L I S T   * 91/02/19 * 11:24 * P A G E 229 *
*****
*   1.862.010.00 D820-48 PCM TAPE - RECORDER * 90/03/21 - 00 *
*****
ASY 5A 1.862.000.00 CONNECTOR-PANEL (6* ANCONC) <-- <-- <-- CONTINUATION
```

```
GRP 5 <-- <-- <-- CONTINUATION
=====
```

```
ELM 11
DA OUT A-GR.5/CH33,36,39,40
```

PNT	SIGNAL NAME	COLOR	LV	TYPE	F
1	DA-OUT36				
2	DAIOUT36				
3	GND				
4	GND				
5	DA-OUT40				
6	DAIOUT40				
7	GND				
8	GND				
9	DA-OUT39				
10	DAIOUT39				
11	GND				
12	GND				
13	DA-OUT35				
14	DAIOUT35				
15	GND				
16	GND				

```
GRP 5 <-- <-- <-- CONTINUATION
=====
```

```
ELM 21
AD IN A-GR.5/CHANNEL 37-40
```

PNT	SIGNAL NAME	COLOR	LV	TYPE	F
1	GND				
2	GND				
3	CO-AIN37				
4	COIAIN37				
5	GND				
6	GND				
7	CO-AIN38				
8	COIAIN38				
9	GND				
10	GND				
11	CO-AIN39				
12	COIAIN39				
13	GND				
14	GND				
15	CO-AIN40				
16	COIAIN40				

```
GRP 5 <-- <-- <-- CONTINUATION
=====
```

```
ELM 32
POWER TERMINAL GND
```

PNT	SIGNAL NAME	COLOR	LV	TYPE	F
1	GND				

```
ELM 33
POWER TERMINAL GND
```

PNT	SIGNAL NAME	COLOR	LV	TYPE	F
1	GND				

```
ELM 12
DA OUT A-GR.5/CH33,34,37,38
```

PNT	SIGNAL NAME	COLOR	LV	TYPE	F
1	DA-OUT34				
2	DAIOUT34				
3	GND				
4	GND				
5	DA-OUT38				
6	DAIOUT38				
7	GND				
8	GND				
9	DA-OUT37				
10	DAIOUT37				
11	GND				
12	GND				
13	DA-OUT33				
14	DAIOUT33				
15	GND				
16	GND				

```
ELM 22
AD IN A-GR.5/CHANNEL 33-36
```

PNT	SIGNAL NAME	COLOR	LV	TYPE	F
1	GND				
2	GND				
3	CO-AIN33				
4	COIAIN33				
5	GND				
6	GND				
7	CO-AIN34				
8	COIAIN34				
9	GND				
10	GND				
11	CO-AIN35				
12	COIAIN35				
13	GND				
14	GND				
15	CO-AIN36				
16	COIAIN36				

```
ELM 22X
DUMMY CONNECTOR NOT EXISTENT 1PIN
```

PNT	SIGNAL NAME	COLOR	LV	TYPE	F
1				DUMMY	

 * STUDER REVOX AG * L O C A T I O N P I N L I S T * 91/02/19 * 11:24 * P A G E 230 *
 * 1.862.010.00 D820-48 PCM TAPE - RECORDER * 90/03/21 - 00 *
 ASY 5A 1.862.000.00 CONNECTOR-PANEL (6* ANCONC) <-- <-- <-- CONTINUATION

GRP 6
 ANALOG AUDIO IN/OUT A-GR.6/CH 41-48
 =====

ELM 1
 ANALOG AUDIO OUT A-GR.6/CH 41-48

PNT	SIGNAL NAME	COLOR	LV	TYPE	F
1A	DA-OUT41				
1B	DAIOUT41				
1C	GND				
2A	DA-OUT42				
2B	DAIOUT42				
2C	GND				
3A	DA-OUT43				
3B	DAIOUT43				
3C	GND				
4A	DA-OUT44				
4B	DAIOUT44				
4C	GND				
5A	DA-OUT45				
5B	DAIOUT45				
5C	GND				
6A	DA-OUT46				
6B	DAIOUT46				
6C	GND				
7A	DA-OUT47				
7B	DAIOUT47				
7C	GND				
8A	DA-OUT48				
8B	DAIOUT48				
8C	GND				
9A					
9B					
9C	GND				
10A					
10B					
10C	GND				

./.

GRP 6 <-- <-- <-- CONTINUATION
 =====

ELM 2
 ANALOG AUDIO IN A-GR.6/CH 41-48

PNT	SIGNAL NAME	COLOR	LV	TYPE	F
1A	CO-AIN41				
1B	COIAIN41				
1C	GND				
2A	CO-AIN42				
2B	COIAIN42				
2C	GND				
3A	CO-AIN43				
3B	COIAIN43				
3C	GND				
4A	CO-AIN44				
4B	COIAIN44				
4C	GND				
5A	CO-AIN45				
5B	COIAIN45				
5C	GND				
6A	CO-AIN46				
6B	COIAIN46				
6C	GND				
7A	CO-AIN47				
7B	COIAIN47				
7C	GND				
8A	CO-AIN48				
8B	COIAIN48				
8C	GND				
9A					
9B					
9C	GND				
10A					
10B					
10C	GND				

./.

GRP 6 <-- <-- <-- CONTINUATION
 =====

ELM 2X
 DUMMY CONNECTOR NOT EXISTENT 30PIN

PNT	SIGNAL NAME	COLOR	LV	TYPE	F
1				DUMMY	
2				DUMMY	
3				DUMMY	
4				DUMMY	
5				DUMMY	
6				DUMMY	
7				DUMMY	
8				DUMMY	
9				DUMMY	
10				DUMMY	
11				DUMMY	
12				DUMMY	
13				DUMMY	
14				DUMMY	
15				DUMMY	
16				DUMMY	
17				DUMMY	
18				DUMMY	
19				DUMMY	
20				DUMMY	
21				DUMMY	
22				DUMMY	
23				DUMMY	
24				DUMMY	
25				DUMMY	
26				DUMMY	
27				DUMMY	
28				DUMMY	
29				DUMMY	
30				DUMMY	

./.

 * STUDER REVOX AG * L O C A T I O N P I N L I S T * 91/02/19 * 11:24 * P A G E 231 *
 * 1.862.010.00 D820-48 PCM TAPE - RECORDER * 90/03/21 - 00 *
 ASY 5A 1.862.000.00 CONNECTOR-PANEL (6* ANCONC) <-- <-- <-- CONTINUATION

GRP 6 <-- <-- <-- CONTINUATION
 =====

ELM 11
 DA OUT A-GR.6/CH43,44,47,48

PNT	SIGNAL NAME	COLOR	LV	TYPE	F
1	DA-OUT44				
2	DAIOUT44				
3	GND				
4	GND				
5	DA-OUT48				
6	DAIOUT48				
7	GND				
8	GND				
9	DA-OUT47				
10	DAIOUT47				
11	GND				
12	GND				
13	DA-OUT43				
14	DAIOUT43				
15	GND				
16	GND				

./.

GRP 6 <-- <-- <-- CONTINUATION
 =====

ELM 21
 AD IN A-GR.6/CHANNEL 45-48

PNT	SIGNAL NAME	COLOR	LV	TYPE	F
1	GND				
2	GND				
3	CO-AIN45				
4	COIAIN45				
5	GND				
6	GND				
7	CO-AIN46				
8	COIAIN46				
9	GND				
10	GND				
11	CO-AIN47				
12	COIAIN47				
13	GND				
14	GND				
15	CO-AIN48				
16	COIAIN48				

./.

GRP 6 <-- <-- <-- CONTINUATION
 =====

ELM 32
 POWER TERMINAL GND

PNT	SIGNAL NAME	COLOR	LV	TYPE	F
1	GND				

ELM 33
 POWER TERMINAL GND

PNT	SIGNAL NAME	COLOR	LV	TYPE	F
1	GND				

ELM 12
 DA OUT A-GR.6/CH41,42,45,46

PNT	SIGNAL NAME	COLOR	LV	TYPE	F
1	DA-OUT42				
2	DAIOUT42				
3	GND				
4	GND				
5	DA-OUT46				
6	DAIOUT46				
7	GND				
8	GND				
9	DA-OUT45				
10	DAIOUT45				
11	GND				
12	GND				
13	DA-OUT41				
14	DAIOUT41				
15	GND				
16	GND				

./.

ELM 22
 AD IN A-GR.6/CHANNEL 41-44

PNT	SIGNAL NAME	COLOR	LV	TYPE	F
1	GND				
2	GND				
3	CO-AIN41				
4	COIAIN41				
5	GND				
6	GND				
7	CO-AIN42				
8	COIAIN42				
9	GND				
10	GND				
11	CO-AIN43				
12	COIAIN43				
13	GND				
14	GND				
15	CO-AIN44				
16	COIAIN44				

./.

ELM 22X
 DUMMY CONNECTOR NOT EXISTENT 1PIN

PNT	SIGNAL NAME	COLOR	LV	TYPE	F
1				DUMMY	

STUDER D820 MCH

```
*****
* STUDER REVOX AG * L O C A T I O N P I N L I S T * 91/02/19 * 11:24 * P A G E 232 *
*****
* 1.862.010.00 D820-48 PCM TAPE - RECORDER * 90/03/21 - 00 *
*****
ASY 5B 1.862.000.00 CONNECTOR-PANEL (2* DICONC)
```

```
GRP 1
DIGITAL AUDIO IN/OUT SDIF CH 1-24
```

```
ELM 1
DIG. AUDIO IN 50POL/M CH 1-24
```

```
PNT SIGNAL NAME COLOR LV TYPE F
```

```
1 CO-ID01A
2 CO-D01A
3 CO-ID02A
4 CO-D02A
5 CO-ID03A
6 CO-D03A
7 CO-ID04A
8 CO-D04A
9 CO-ID05A
10 CO-D05A
11 CO-ID06A
12 CO-D06A
13 CO-ID07A
14 CO-D07A
15 CO-ID08A
16 CO-D08A
17 CO-ID09A
18 CO-D09A
19 CO-ID10A
20 CO-D10A
21 CO-ID11A
22 CO-D11A
23 CO-ID12A
24 CO-D12A
25 CO-ID13A
26 CO-D13A
27 CO-ID14A
28 CO-D14A
29 CO-ID15A
30 CO-D15A
31 CO-ID16A
32 CO-D16A
33 CO-ID17A
34 CO-D17A
35 CO-ID18A
36 CO-D18A
37 CO-ID19A
38 CO-D19A
39 CO-ID20A
40 CO-D20A
41 CO-ID21A
42 CO-D21A
43 CO-ID22A
44 CO-D22A
45 CO-ID23A
46 CO-D23A
47 CO-ID24A
```

```
GRP 1 <-- <-- <-- CONTINUATION
```

```
ELM 1 <-- <-- <-- CONTINUATION
```

```
PNT SIGNAL NAME COLOR LV TYPE F
```

```
48 CO-D24A
49
50
```

```
GRP 1 <-- <-- <-- CONTINUATION
```

```
ELM 1X
DUMMY CONNECTOR NOT EXISTENT 46PIN
```

```
PNT SIGNAL NAME COLOR LV TYPE F
```

```
1 DUMMY
2 DUMMY
3 DUMMY
4 DUMMY
5 DUMMY
6 DUMMY
7 DUMMY
8 DUMMY
9 DUMMY
10 DUMMY
11 DUMMY
12 DUMMY
13 DUMMY
14 DUMMY
15 DUMMY
16 DUMMY
17 DUMMY
18 DUMMY
19 DUMMY
20 DUMMY
21 DUMMY
22 DUMMY
23 DUMMY
24 DUMMY
25 DUMMY
26 DUMMY
27 DUMMY
28 DUMMY
29 DUMMY
30 DUMMY
31 DUMMY
32 DUMMY
33 DUMMY
34 DUMMY
35 DUMMY
36 DUMMY
37 DUMMY
38 DUMMY
39 DUMMY
40 DUMMY
41 DUMMY
42 DUMMY
43 DUMMY
44 DUMMY
45 DUMMY
46 DUMMY
```

 * STUDER REVOX AG * L O C A T I O N P I N L I S T * 91/02/19 * 11:24 * PAGE 233 *

 * 1.862.010.00 D820-48 PCM TAPE - RECORDER * 90/03/21 - 00 *

 ASY 5B 1.862.000.00 CONNECTOR-PANEL (2* DICONC) <-- <-- <-- CONTINUATION

GRP 1 <-- <-- <-- CONTINUATION
 =====
 ELM 2
 DIG. AUDIO OUT 50POL/F CH 1-24

 PNT SIGNAL NAME COLOR LV TYPE F

 1 MI-ID01A
 2 MI-D01A
 3 MI-ID02A
 4 MI-D02A
 5 MI-ID03A
 6 MI-D03A
 7 MI-ID04A
 8 MI-D04A
 9 MI-ID05A
 10 MI-D05A
 11 MI-ID06A
 12 MI-D06A
 13 MI-ID07A
 14 MI-D07A
 15 MI-ID08A
 16 MI-D08A
 17 MI-ID09A
 18 MI-D09A
 19 MI-ID10A
 20 MI-D10A
 21 MI-ID11A
 22 MI-D11A
 23 MI-ID12A
 24 MI-D12A
 25 MI-ID13A
 26 MI-D13A
 27 MI-ID14A
 28 MI-D14A
 29 MI-ID15A
 30 MI-D15A
 31 MI-ID16A
 32 MI-D16A
 33 MI-ID17A
 34 MI-D17A
 35 MI-ID18A
 36 MI-D18A
 37 MI-ID19A
 38 MI-D19A
 39 MI-ID20A
 40 MI-D20A
 41 MI-ID21A
 42 MI-D21A
 43 MI-ID22A
 44 MI-D22A
 45 MI-ID23A
 46 MI-D23A
 47 MI-ID24A

 ./.

GRP 1 <-- <-- <-- CONTINUATION
 =====
 ELM 2
 MI-D24A

 PNT SIGNAL NAME COLOR LV TYPE F

 48 MI-D24A
 49
 50

 ./.

GRP 1 <-- <-- <-- CONTINUATION
 =====
 ELM 2X
 DUMMY CONNECTOR NOT EXISTENT 46PIN

 PNT SIGNAL NAME COLOR LV TYPE F

 1 DUMMY
 2 DUMMY
 3 DUMMY
 4 DUMMY
 5 DUMMY
 6 DUMMY
 7 DUMMY
 8 DUMMY
 9 DUMMY
 10 DUMMY
 11 DUMMY
 12 DUMMY
 13 DUMMY
 14 DUMMY
 15 DUMMY
 16 DUMMY
 17 DUMMY
 18 DUMMY
 19 DUMMY
 20 DUMMY
 21 DUMMY
 22 DUMMY
 23 DUMMY
 24 DUMMY
 25 DUMMY
 26 DUMMY
 27 DUMMY
 28 DUMMY
 29 DUMMY
 30 DUMMY
 31 DUMMY
 32 DUMMY
 33 DUMMY
 34 DUMMY
 35 DUMMY
 36 DUMMY
 37 DUMMY
 38 DUMMY
 39 DUMMY
 40 DUMMY
 41 DUMMY
 42 DUMMY
 43 DUMMY
 44 DUMMY
 45 DUMMY
 46 DUMMY

 ./.

 * STUDER REVOX AG * L O C A T I O N P I N L I S T * 91/02/19 * 11:24 * PAGE 234 *

 * 1.862.010.00 D820-48 PCM TAPE - RECORDER * 90/03/21 - 00 *

 ASY 5B 1.862.000.00 CONNECTOR-PANEL (2* DICONC) <-- <-- <-- CONTINUATION

GRP 1 <-- <-- <-- CONTINUATION
 =====
 ELM 11
 MIO A IN/2 CHANNEL 14-24

 PNT SIGNAL NAME COLOR LV TYPE F

 1 CO-D22A
 2 CO-ID22A
 3 CO-D14A
 4 CO-ID14A
 5 CO-D23A
 6 CO-ID23A
 7 CO-D15A
 8 CO-ID15A
 9 CO-D24A
 10 CO-ID24A
 11 CO-D16A
 12 CO-ID16A
 13 CO-D17A
 14 CO-ID17A
 15 CO-D18A
 16 CO-ID18A
 17 CO-D19A
 18 CO-ID19A
 19 CO-D20A
 20 CO-ID20A
 21 CO-D21A
 22 CO-ID21A
 23
 24
 25
 26

 ./.

GRP 1 <-- <-- <-- CONTINUATION
 =====
 ELM 12
 MIO A IN/1 CHANNEL 1-13

 PNT SIGNAL NAME COLOR LV TYPE F

 1 CO-D01A
 2 CO-ID01A
 3 CO-D02A
 4 CO-ID02A
 5 CO-D03A
 6 CO-ID03A
 7 CO-D04A
 8 CO-ID04A
 9 CO-D05A
 10 CO-ID05A
 11 CO-D06A
 12 CO-ID06A
 13 CO-D07A
 14 CO-ID07A
 15 CO-D08A
 16 CO-ID08A
 17 CO-D13A
 18 CO-ID13A
 19 CO-D12A
 20 CO-ID12A
 21 CO-D11A
 22 CO-ID11A
 23 CO-D10A
 24 CO-ID10A
 25 CO-D09A
 26 CO-ID09A

 ./.

GRP 1 <-- <-- <-- CONTINUATION
 =====
 ELM 12X
 DUMMY CONNECTOR NOT EXISTENT 26PIN

 PNT SIGNAL NAME COLOR LV TYPE F

 1 DUMMY
 2 DUMMY
 3 DUMMY
 4 DUMMY
 5 DUMMY
 6 DUMMY
 7 DUMMY
 8 DUMMY
 9 DUMMY
 10 DUMMY
 11 DUMMY
 12 DUMMY
 13 DUMMY
 14 DUMMY
 15 DUMMY
 16 DUMMY
 17 DUMMY
 18 DUMMY
 19 DUMMY
 20 DUMMY
 21 DUMMY
 22 DUMMY
 23 DUMMY
 24 DUMMY
 25 DUMMY
 26 DUMMY

 ./.

STUDER D820 MCH

 * STUDER REVOX AG * L O C A T I O N P I N L I S T * 91/02/19 * 11:24 * P A G E 235 *

 * 1.862.010.00 D820-48 PCM TAPE - RECORDER * 90/03/21 - 00 *

 ASY 5B 1.862.000.00 CONNECTOR-PANEL (2* DICONC) <-- <-- <-- CONTINUATION

GRP 1 <-- <-- <-- CONTINUATION
 =====
 ELM 21 MIO A OUT/2 CHANNEL 14-24

 PNT SIGNAL NAME COLOR LV TYPE F

 1 MI-D24A
 2 MI-ID24A
 3 MI-D23A
 4 MI-ID23A
 5 MI-D18A
 6 MI-ID18A
 7 MI-D19A
 8 MI-ID19A
 9 MI-D20A
 10 MI-ID20A
 11 MI-D21A
 12 MI-ID21A
 13 MI-D22A
 14 MI-ID22A
 15 MI-D14A
 16 MI-ID14A
 17 MI-D15A
 18 MI-ID15A
 19 MI-D16A
 20 MI-ID16A
 21 MI-D17A
 22 MI-ID17A
 23
 24
 25
 26

 ./.

GRP 1 <-- <-- <-- CONTINUATION
 =====
 ELM 22 MIO A OUT/1 CHANNEL 1-13

 PNT SIGNAL NAME COLOR LV TYPE F

 1 MI-ID01A
 2 MI-D01A
 3 MI-D06A
 4 MI-ID06A
 5 MI-ID02A
 6 MI-D02A
 7 MI-D07A
 8 MI-ID07A
 9 MI-ID03A
 10 MI-D03A
 11 MI-D08A
 12 MI-ID08A
 13 MI-ID04A
 14 MI-D04A
 15 MI-D09A
 16 MI-ID09A
 17 MI-ID05A
 18 MI-D05A
 19 MI-D10A
 20 MI-ID10A
 21 MI-D11A
 22 MI-ID11A
 23 MI-D12A
 24 MI-ID12A
 25 MI-D13A
 26 MI-ID13A

 ./.

GRP 1 <-- <-- <-- CONTINUATION
 =====
 ELM 22X DUMMY CONNECTOR NOT EXISTENT 26PIN

 PNT SIGNAL NAME COLOR LV TYPE F

 1 DUMMY
 2 DUMMY
 3 DUMMY
 4 DUMMY
 5 DUMMY
 6 DUMMY
 7 DUMMY
 8 DUMMY
 9 DUMMY
 10 DUMMY
 11 DUMMY
 12 DUMMY
 13 DUMMY
 14 DUMMY
 15 DUMMY
 16 DUMMY
 17 DUMMY
 18 DUMMY
 19 DUMMY
 20 DUMMY
 21 DUMMY
 22 DUMMY
 23 DUMMY
 24 DUMMY
 25 DUMMY
 26 DUMMY

 ./.

 * STUDER REVOX AG * L O C A T I O N P I N L I S T * 91/02/19 * 11:24 * P A G E 236 *

 * 1.862.010.00 D820-48 PCM TAPE - RECORDER * 90/03/21 - 00 *

 ASY 5B 1.862.000.00 CONNECTOR-PANEL (2* DICONC) <-- <-- <-- CONTINUATION

GRP 2 DIGITAL AUDIO IN/OUT SDIF CH 25-48
 =====
 ELM 1 DIG. AUDIO IN 50POL/M CH 25-48

 PNT SIGNAL NAME COLOR LV TYPE F

 1 CO-ID01B
 2 CO-D01B
 3 CO-ID02B
 4 CO-D02B
 5 CO-ID03B
 6 CO-D03B
 7 CO-ID04B
 8 CO-D04B
 9 CO-ID05B
 10 CO-D05B
 11 CO-ID06B
 12 CO-D06B
 13 CO-ID07B
 14 CO-D07B
 15 CO-ID08B
 16 CO-D08B
 17 CO-ID09B
 18 CO-D09B
 19 CO-ID10B
 20 CO-D10B
 21 CO-ID11B
 22 CO-D11B
 23 CO-ID12B
 24 CO-D12B
 25 CO-ID13B
 26 CO-D13B
 27 CO-ID14B
 28 CO-D14B
 29 CO-ID15B
 30 CO-D15B
 31 CO-ID16B
 32 CO-D16B
 33 CO-ID17B
 34 CO-D17B
 35 CO-ID18B
 36 CO-D18B
 37 CO-ID19B
 38 CO-D19B
 39 CO-ID20B
 40 CO-D20B
 41 CO-ID21B
 42 CO-D21B
 43 CO-ID22B
 44 CO-D22B
 45 CO-ID23B
 46 CO-D23B
 47 CO-ID24B

 ./.

GRP 2 <-- <-- <-- CONTINUATION
 =====
 ELM 1 <-- <-- <-- CONTINUATION

 PNT SIGNAL NAME COLOR LV TYPE F

 48 CO-D24B
 49
 50

 ./.

GRP 2 <-- <-- <-- CONTINUATION
 =====
 ELM 1X DUMMY CONNECTOR NOT EXISTENT 46PIN

 PNT SIGNAL NAME COLOR LV TYPE F

 1 DUMMY
 2 DUMMY
 3 DUMMY
 4 DUMMY
 5 DUMMY
 6 DUMMY
 7 DUMMY
 8 DUMMY
 9 DUMMY
 10 DUMMY
 11 DUMMY
 12 DUMMY
 13 DUMMY
 14 DUMMY
 15 DUMMY
 16 DUMMY
 17 DUMMY
 18 DUMMY
 19 DUMMY
 20 DUMMY
 21 DUMMY
 22 DUMMY
 23 DUMMY
 24 DUMMY
 25 DUMMY
 26 DUMMY
 27 DUMMY
 28 DUMMY
 29 DUMMY
 30 DUMMY
 31 DUMMY
 32 DUMMY
 33 DUMMY
 34 DUMMY
 35 DUMMY
 36 DUMMY
 37 DUMMY
 38 DUMMY
 39 DUMMY
 40 DUMMY
 41 DUMMY
 42 DUMMY
 43 DUMMY
 44 DUMMY
 45 DUMMY
 46 DUMMY

 ./.

 * STUDER REVOX AG * L O C A T I O N P I N L I S T * 91/02/19 * 11:24 * P A G E 237 *

 * 1.862.010.00 D820-48 PCM TAPE - RECORDER * 90/03/21 - 00 *

 ASY 5B 1.862.000.00 CONNECTOR-PANEL (2* DICONC) <-- <-- <-- CONTINUATION

GRP 2 <-- <-- <-- CONTINUATION
 =====
 ELM 2 DIG. AUDIO OUT 50POL/F CH 25-48

 PNT SIGNAL NAME COLOR LV TYPE F

 1 MI-ID01B
 2 MI-D01B
 3 MI-ID02B
 4 MI-D02B
 5 MI-ID03B
 6 MI-D03B
 7 MI-ID04B
 8 MI-D04B
 9 MI-ID05B
 10 MI-D05B
 11 MI-ID06B
 12 MI-D06B
 13 MI-ID07B
 14 MI-D07B
 15 MI-ID08B
 16 MI-D08B
 17 MI-ID09B
 18 MI-D09B
 19 MI-ID10B
 20 MI-D10B
 21 MI-ID11B
 22 MI-D11B
 23 MI-ID12B
 24 MI-D12B
 25 MI-ID13B
 26 MI-D13B
 27 MI-ID14B
 28 MI-D14B
 29 MI-ID15B
 30 MI-D15B
 31 MI-ID16B
 32 MI-D16B
 33 MI-ID17B
 34 MI-D17B
 35 MI-ID18B
 36 MI-D18B
 37 MI-ID19B
 38 MI-D19B
 39 MI-ID20B
 40 MI-D20B
 41 MI-ID21B
 42 MI-D21B
 43 MI-ID22B
 44 MI-D22B
 45 MI-ID23B
 46 MI-D23B
 47 MI-ID24B

 ./.

GRP 2 <-- <-- <-- CONTINUATION
 =====
 ELM 2 <-- <-- <-- CONTINUATION

 PNT SIGNAL NAME COLOR LV TYPE F

 48 MI-D24B
 49
 50

 ./.

GRP 2 <-- <-- <-- CONTINUATION
 =====
 ELM 2X DUMMY CONNECTOR NOT EXISTENT 46PIN

 PNT SIGNAL NAME COLOR LV TYPE F

 1 DUMMY
 2 DUMMY
 3 DUMMY
 4 DUMMY
 5 DUMMY
 6 DUMMY
 7 DUMMY
 8 DUMMY
 9 DUMMY
 10 DUMMY
 11 DUMMY
 12 DUMMY
 13 DUMMY
 14 DUMMY
 15 DUMMY
 16 DUMMY
 17 DUMMY
 18 DUMMY
 19 DUMMY
 20 DUMMY
 21 DUMMY
 22 DUMMY
 23 DUMMY
 24 DUMMY
 25 DUMMY
 26 DUMMY
 27 DUMMY
 28 DUMMY
 29 DUMMY
 30 DUMMY
 31 DUMMY
 32 DUMMY
 33 DUMMY
 34 DUMMY
 35 DUMMY
 36 DUMMY
 37 DUMMY
 38 DUMMY
 39 DUMMY
 40 DUMMY
 41 DUMMY
 42 DUMMY
 43 DUMMY
 44 DUMMY
 45 DUMMY
 46 DUMMY

 ./.

 * STUDER REVOX AG * L O C A T I O N P I N L I S T * 91/02/19 * 11:24 * P A G E 238 *

 * 1.862.010.00 D820-48 PCM TAPE - RECORDER * 90/03/21 - 00 *

 ASY 5B 1.862.000.00 CONNECTOR-PANEL (2* DICONC) <-- <-- <-- CONTINUATION

GRP 2 <-- <-- <-- CONTINUATION
 =====
 ELM 11 MIO B IN/2 CHANNEL 38-48

 PNT SIGNAL NAME COLOR LV TYPE F

 1 CO-D22B
 2 CO-ID22B
 3 CO-D14B
 4 CO-ID14B
 5 CO-D23B
 6 CO-ID23B
 7 CO-D15B
 8 CO-ID15B
 9 CO-D24B
 10 CO-ID24B
 11 CO-D16B
 12 CO-ID16B
 13 CO-D17B
 14 CO-ID17B
 15 CO-D18B
 16 CO-ID18B
 17 CO-D19B
 18 CO-ID19B
 19 CO-D20B
 20 CO-ID20B
 21 CO-D21B
 22 CO-ID21B
 23
 24
 25
 26

 ./.

GRP 2 <-- <-- <-- CONTINUATION
 =====
 ELM 12 MIO B IN/1 CHANNEL 25-37

 PNT SIGNAL NAME COLOR LV TYPE F

 1 CO-D01B
 2 CO-ID01B
 3 CO-D02B
 4 CO-ID02B
 5 CO-D03B
 6 CO-ID03B
 7 CO-D04B
 8 CO-ID04B
 9 CO-D05B
 10 CO-ID05B
 11 CO-D06B
 12 CO-ID06B
 13 CO-D07B
 14 CO-ID07B
 15 CO-D08B
 16 CO-ID08B
 17 CO-D13B
 18 CO-ID13B
 19 CO-D12B
 20 CO-ID12B
 21 CO-D11B
 22 CO-ID11B
 23 CO-D10B
 24 CO-ID10B
 25 CO-D09B
 26 CO-ID09B

 ./.

GRP 2 <-- <-- <-- CONTINUATION
 =====
 ELM 12X DUMMY CONNECTOR NOT EXISTENT 26PIN

 PNT SIGNAL NAME COLOR LV TYPE F

 1 DUMMY
 2 DUMMY
 3 DUMMY
 4 DUMMY
 5 DUMMY
 6 DUMMY
 7 DUMMY
 8 DUMMY
 9 DUMMY
 10 DUMMY
 11 DUMMY
 12 DUMMY
 13 DUMMY
 14 DUMMY
 15 DUMMY
 16 DUMMY
 17 DUMMY
 18 DUMMY
 19 DUMMY
 20 DUMMY
 21 DUMMY
 22 DUMMY
 23 DUMMY
 24 DUMMY
 25 DUMMY
 26 DUMMY

 ./.

STUDER D820 MCH

```
*****
*   STUDER REVOX AG *   L O C A T I O N   P I N   L I S T   * 91/02/19 * 11:24 * P A G E 239 *
*****
*   1.862.010.00 D820-48 PCM TAPE - RECORDER * 90/03/21 - 00 *
*****
ASY 5B 1.862.000.00 CONNECTOR-PANEL (2* DICONC)
```

GRP 2 <-- <-- <-- CONTINUATION

ELM 21 MIO B OUT/2 CHANNEL 38-48

PNT	SIGNAL NAME	COLOR	LV	TYPE	F
1	MI-D24B				
2	MI-ID24B				
3	MI-D23B				
4	MI-ID23B				
5	MI-D18B				
6	MI-ID18B				
7	MI-D19B				
8	MI-ID19B				
9	MI-D20B				
10	MI-ID20B				
11	MI-D21B				
12	MI-ID21B				
13	MI-D22B				
14	MI-ID22B				
15	MI-D14B				
16	MI-ID14B				
17	MI-D15B				
18	MI-ID15B				
19	MI-D16B				
20	MI-ID16B				
21	MI-D17B				
22	MI-ID17B				
23					
24					
25					
26					

GRP 2 <-- <-- <-- CONTINUATION

ELM 22 MIO B OUT/1 CHANNEL 25-37

PNT	SIGNAL NAME	COLOR	LV	TYPE	F
1	MI-ID01B				
2	MI-D01B				
3	MI-D06B				
4	MI-ID06B				
5	MI-ID02B				
6	MI-D02B				
7	MI-D07B				
8	MI-ID07B				
9	MI-ID03B				
10	MI-D03B				
11	MI-D08B				
12	MI-ID08B				
13	MI-ID04B				
14	MI-D04B				
15	MI-D09B				
16	MI-ID09B				
17	MI-ID05B				
18	MI-D05B				
19	MI-D10B				
20	MI-ID10B				
21	MI-D11B				
22	MI-ID11B				
23	MI-D12B				
24	MI-ID12B				
25	MI-D13B				
26	MI-ID13B				

GRP 2 <-- <-- <-- CONTINUATION

ELM 22X DUMMY CONNECTOR NOT EXISTENT 26PIN

PNT	SIGNAL NAME	COLOR	LV	TYPE	F
1				DUMMY	
2				DUMMY	
3				DUMMY	
4				DUMMY	
5				DUMMY	
6				DUMMY	
7				DUMMY	
8				DUMMY	
9				DUMMY	
10				DUMMY	
11				DUMMY	
12				DUMMY	
13				DUMMY	
14				DUMMY	
15				DUMMY	
16				DUMMY	
17				DUMMY	
18				DUMMY	
19				DUMMY	
20				DUMMY	
21				DUMMY	
22				DUMMY	
23				DUMMY	
24				DUMMY	
25				DUMMY	
26				DUMMY	

```
*****
*   STUDER REVOX AG *   L O C A T I O N   P I N   L I S T   * 91/02/19 * 11:24 * P A G E 240 *
*****
*   1.862.010.00 D820-48 PCM TAPE - RECORDER * 90/03/21 - 00 *
*****
ASY 5C 1.862.000.00 CONNECTOR-PANEL (MICONC)
```

GRP 1 DIGITAL AUDIO IN/OUT AES/EBU

ELM 1 AES/EBU IN XLR/F

PNT	SIGNAL NAME	COLOR	LV	TYPE	F
1	GND				
2	CO-AESIN				
3	COIAESIN				
4	SHELL				

ELM 2 AES/EBU OUT XLR/M

PNT	SIGNAL NAME	COLOR	LV	TYPE	F
1	GND				
2	AI-AESO				
3	AI-IAESO				
4	SHELL				

ELM 11 AES 2-CHANNEL INTERFACE

PNT	SIGNAL NAME	COLOR	LV	TYPE	F
1	CO-AESIN				
2	COIAESIN				
3	AI-AESO				
4	AI-IAESO				
5					
6					
7					
8					
9					
10					

GRP 2 DIGITAL AUDIO IN/OUT MADI

ELM 1 MADI IN BNC

PNT	SIGNAL NAME	COLOR	LV	TYPE	F
1	AI-MADII				
2	GND				

ELM 2 MADI OUT BNC

PNT	SIGNAL NAME	COLOR	LV	TYPE	F
1	AI-MADIO				
2	GND				

ELM 11 MADI DATA IN (BNC)

PNT	SIGNAL NAME	COLOR	LV	TYPE	F
1	AI-MADII				
2	GND				

ELM 12 MADI DATA OUT (BNC)

PNT	SIGNAL NAME	COLOR	LV	TYPE	F
1	AI-MADIO				
2	GND				

GRP 3 REFERENCE TRACK & TIME CODE IN/OUT

ELM 1 EXT. TC IN XLR/F

PNT	SIGNAL NAME	COLOR	LV	TYPE	F
1	GND				
2	CO-TCIN				
3	CO-ITCIN				
4	SHELL				

ELM 2 EXT. TC OUT XLR/M

PNT	SIGNAL NAME	COLOR	LV	TYPE	F
1	GND				
2	CO-TCIN				
3	CO-ITCIN				
4	SHELL				

ELM 3 TC OUT XLR/M

PNT	SIGNAL NAME	COLOR	LV	TYPE	F
1	GND				
2	SS-TCOUT				
3	SSITCOUT				
4	SHELL				

ELM 4 EXT. RT IN BNC

PNT	SIGNAL NAME	COLOR	LV	TYPE	F
1	CO-RTIN				
2	GND				

ELM 5 EXT. RT OUT BNC

PNT	SIGNAL NAME	COLOR	LV	TYPE	F
1	CO-RTIN				
2	GND				

 * STUDER REVOX AG * L O C A T I O N P I N L I S T * 91/02/19 * 11:24 * P A G E 241 *

 * 1.862.010.00 D820-48 PCM TAPE - RECORDER * 90/03/21 - 00 *

 ASY 5C 1.862.000.00 CONNECTOR-PANEL (MICONC) <-- <-- <-- CONTINUATION

GRP 3 <-- <-- <-- CONTINUATION
 =====

ELM 6 TAPE RT OUT BNC

 PNT SIGNAL NAME COLOR LV TYPE F

 1 RT-RTOUT
 2 GND

ELM 7 TC BIPHASE IN 5POL XLR/F

 PNT SIGNAL NAME COLOR LV TYPE F

 1 GND
 2 CO-BIPHR
 3 CO-BIPHS
 4 + 5 V BI
 5 GND
 6 SHELL

ELM 8 FUSE 0,1AT 51.01.0107 5*20 MM

 PNT SIGNAL NAME COLOR LV TYPE F

 1 + 5 V 3B
 2 + 5 V BI

ELM 11 SSTC + RT IN/OUT

 PNT SIGNAL NAME COLOR LV TYPE F

 1 CO-TCIN
 2 CO-ITCIN
 3 SS-TCOUT
 4 SSITCOUT
 5 CO-RTIN
 6 RT-RTOUT
 7 CO-BIPHR
 8 CO-BIPHS
 9
 10

GRP 4 CUE 1+2 IN/OUT
 =====

ELM 1 CUE 1 IN XLR/F

 PNT SIGNAL NAME COLOR LV TYPE F

 1 GND
 2 CO-CUE1
 3 CO-ICUE1
 4 SHELL

ELM 2 CUE 1 OUT XLR/M

 PNT SIGNAL NAME COLOR LV TYPE F

 1 GND
 2 CU-OUT1
 3 CU-IOUT1
 4 SHELL

ELM 3 CUE 2 IN XLR/F

 PNT SIGNAL NAME COLOR LV TYPE F

 1 GND
 2 CO-CUE2
 3 CO-ICUE2
 4 SHELL

ELM 4 CUE 2 OUT XLR/M

 PNT SIGNAL NAME COLOR LV TYPE F

 1 GND
 2 CU-OUT2
 3 CU-IOUT2
 4 SHELL

GRP 4 <-- <-- <-- CONTINUATION
 =====

ELM 11 CUE IN/OUT

 PNT SIGNAL NAME COLOR LV TYPE F

 1 CO-CUE1
 2 CO-ICUE1
 3 GND
 4 GND
 5 CO-CUE2
 6 CO-ICUE2
 7 GND
 8 GND
 9 CU-OUT1
 10 CU-IOUT1
 11 GND
 12 GND
 13 CU-OUT2
 14 CU-IOUT2
 15 GND
 16 GND

 * STUDER REVOX AG * L O C A T I O N P I N L I S T * 91/02/19 * 11:24 * P A G E 242 *

 * 1.862.010.00 D820-48 PCM TAPE - RECORDER * 90/03/21 - 00 *

 ASY 5C 1.862.000.00 CONNECTOR-PANEL (MICONC) <-- <-- <-- CONTINUATION

GRP 5 CLOCK IN/OUT
 =====

ELM 1 WORD CLOCK IN BNC

 PNT SIGNAL NAME COLOR LV TYPE F

 1 CO-WKI
 2 CO-WKIGN

ELM 2 WORD CLOCK OUT BNC

 PNT SIGNAL NAME COLOR LV TYPE F

 1 CK-WK01
 2 CK-WK0GN

ELM 3 SECTOR CLOCK IN BNC

 PNT SIGNAL NAME COLOR LV TYPE F

 1 CO-SKI
 2 CO-SKIGN

ELM 4 SECTOR CLOCK OUT BNC

 PNT SIGNAL NAME COLOR LV TYPE F

 1 CK-SKO
 2 CK-SK0GN

ELM 5 VIDEO SYNC IN BNC

 PNT SIGNAL NAME COLOR LV TYPE F

 1 CO-CV
 2 CO-CVGND

ELM 6 VIDEO SYNC OUT BNC

 PNT SIGNAL NAME COLOR LV TYPE F

 1 CO-CV
 2 CO-CVGND

GRP 5 <-- <-- <-- CONTINUATION
 =====

ELM 7 SQUARE WAVE IN BNC

 PNT SIGNAL NAME COLOR LV TYPE F

 1 CO-SW
 2 CO-SWGND

ELM 8 SQUARE WAVE OUT BNC

 PNT SIGNAL NAME COLOR LV TYPE F

 1 CO-SW
 2 CO-SWGND

ELM 11 CLOCK BOARD IN/OUT

 PNT SIGNAL NAME COLOR LV TYPE F

 1 CO-SW
 2 CO-SWGND
 3 CO-SKI
 4 CO-SKIGN
 5 CO-WKI
 6 CO-WKIGN
 7 GND
 8 GND
 9 CK-SKO
 10 CK-SK0GN
 11 CK-WK01
 12 CK-WK0GN
 13 CK-WK02
 14 CK-WK0GN
 15 GND
 16 GND

ELM 12 VIDEO SYNC (BNC)

 PNT SIGNAL NAME COLOR LV TYPE F

 1 CO-CV
 2 CO-CVGND

GRP 6 REMBUS
 =====

ELM 1 REM BUS 9POL D-SUB/F

 PNT SIGNAL NAME COLOR LV TYPE F

 1 PI-RCLK
 2 PI-RRXD
 3 PI-RTXD
 4 PI-RES1
 5 OSTABIN
 6 PI-IRCLK
 7 PI-IRRXD
 8 PI-IRTXD
 9 STABINX

ELM 2 REM BUS 9POL D-SUB/F

 PNT SIGNAL NAME COLOR LV TYPE F

 1 PI-RCLK
 2 PI-RRXD
 3 PI-RTXD
 4 PI-RES1
 5 OSTABIN
 6 PI-IRCLK
 7 PI-IRRXD
 8 PI-IRTXD
 9 STABINY

ELM 11 PIF REM-BUS

 PNT SIGNAL NAME COLOR LV TYPE F

 1 PI-RCLK
 2 PI-IRCLK
 3 PI-RRXD
 4 PI-IRRXD
 5 PI-RTXD
 6 PI-IRTXD
 7 PI-RES1
 8 PI-RES2
 9 PI-RES3
 10 PI-RES4

STUDER D820 MCH

```
*****
* STUDER REVOX AG * L O C A T I O N P I N L I S T * 91/02/19 * 11:24 * P A G E 243 *
*****
* 1.862.010.00 D820-48 PCM TAPE - RECORDER * 90/03/21 - 00 *
*****
ASY 5C 1.862.000.00 CONNECTOR-PANEL (MICONC) <-- <-- <-- CONTINUATION
```

GRP 7
LEVEL DISPLAY
=====

ELM 1
LEVEL DISPLAY 9POL D-SUB/F

PNT SIGNAL NAME COLOR LV TYPE F

1 ***KEY***
2 PI-ECLK
3 PI-EDAT
4 PI-ETPH
5 OSTABIN
6 PI-IECLK
7 PI-IEDAT
8 PI-IETPH
9 STABINZ

ELM 11
PIF SERBUS EXTERN

PNT SIGNAL NAME COLOR LV TYPE F

1
2 PI-IECLK
3 PI-ECLK
4 PI-IEDAT
5 PI-EDAT
6 PI-IETPH
7 PI-ETPH
8 PI-EVAL
9 PI-IEVAL
10

GRP 8
MASTER TALLIES
=====

ELM 1
MASTER TALLIES 9POL D-SUB/F

PNT SIGNAL NAME COLOR LV TYPE F

1 GND
2 CO-TSTOP
3 CO-MOVE1
4 CO-TPLAY
5 GND
6 CO-TFREC
7 CO-PILOT
8 CO-TREC
9 CO-MOVE2

ELM 11
SSTC MASTER TALLIES

PNT SIGNAL NAME COLOR LV TYPE F

1 CO-TREC
2 CO-TFREC
3 CO-TSTOP
4 CO-TPLAY
5
6
7
8
9 CO-MOVE1
10 CO-MOVE2

GRP 9
ES-BUS/RS232
=====

ELM 1
ES-BUS ONLY 9POL D-SUB/F

PNT SIGNAL NAME COLOR LV TYPE F

1 PI-EBUFG
2 PI-EBUTA
3 PI-EBURB
4 PI-EBURC
5
6 PI-EBUTC
7 PI-EBUTB
8 PI-EBURA
9 PI-EBUFG

ELM 2
ES-BUS/RS 232 9POL D-SUB/F

PNT SIGNAL NAME COLOR LV TYPE F

1 PI-EBUFG
2 PI-EBUTA
3 PI-EBURB
4 PI-EBURC
5
6 PI-EBUTC
7 PI-EBUTB
8 PI-EBURA
9 PI-EBUFG

ELM 11
PIF SMPTE/EBU

PNT SIGNAL NAME COLOR LV TYPE F

1 PI-EBUFG
2 PI-EBUTC
3 PI-EBUTA
4 PI-EBUTB
5 PI-EBURB
6 PI-EBURA
7 PI-EBURC
8 PI-EBUFG
9
10

```
*****
* STUDER REVOX AG * L O C A T I O N P I N L I S T * 91/02/19 * 11:24 * P A G E 244 *
*****
* 1.862.010.00 D820-48 PCM TAPE - RECORDER * 90/03/21 - 00 *
*****
ASY 5C 1.862.000.00 CONNECTOR-PANEL (MICONC) <-- <-- <-- CONTINUATION
```

GRP 10
POWER SUPPLY
=====

ELM 11
0V/60V

PNT SIGNAL NAME COLOR LV TYPE F

1 +STABING
2 OSTABIN

ELM 12
POWER TERMINAL + 5 V 3B

PNT SIGNAL NAME COLOR LV TYPE F

1 + 5 V 3B

ELM 13
POWER TERMINAL GND

PNT SIGNAL NAME COLOR LV TYPE F

1 GND

ELM 14
D1 IN 5402 (3000MA)

PNT SIGNAL NAME COLOR LV TYPE F

1 +STABING
2 STABINX

ELM 15
D2 IN 5402 (3000MA)

PNT SIGNAL NAME COLOR LV TYPE F

1 +STABING
2 STABINY

ELM 16
D3 IN 5402 (3000MA)

PNT SIGNAL NAME COLOR LV TYPE F

1 +STABING
2 STABINZ

GRP 10

<-- <-- <-- CONTINUATION
=====

ELM 17
C1 ** NOT USED **

PNT SIGNAL NAME COLOR LV TYPE F

1 SHELL
2 GND

```
*****
* STUDER REVOX AG * L O C A T I O N P I N L I S T * 91/02/19 * 11:24 * P A G E 245 *
*****
* 1.862.010.00 D820-48 PCM TAPE - RECORDER * 90/03/21 - 00 *
*****
ASY 5D 1.862.000.00 TD & HD-INTERFACE
```

```
GRP 1
LEFT PANEL
=====
```

```
ELM 1
TA (MAPRO IN) A-GR.1/CHANNEL 1- 8
-----
PNT SIGNAL NAME COLOR LV TYPE F
-----
1 TA-CH01
2 TA-ICH01
3 TA-CH02
4 TA-ICH02
5 TA-CH03
6 TA-ICH03
7 TA-CH04
8 TA-ICH04
9 TA-CH05
10 TA-ICH05
11 TA-CH06
12 TA-ICH06
13 TA-CH07
14 TA-ICH07
15 TA-CH08
16 TA-ICH08
-----
./.
```

```
ELM 2
MA (MAPRO OUT) A-GR.1/CHANNEL 1- 8
-----
PNT SIGNAL NAME COLOR LV TYPE F
-----
1 MA-CH01
2 MA-ICH01
3 MA-CH02
4 MA-ICH02
5 MA-CH03
6 MA-ICH03
7 MA-CH04
8 MA-ICH04
9 MA-CH05
10 MA-ICH05
11 MA-CH06
12 MA-ICH06
13 MA-CH07
14 MA-ICH07
15 MA-CH08
16 MA-ICH08
-----
./.
```

```
GRP 1
<-- <-- <-- CONTINUATION
=====
```

```
ELM 3
TA (MAPRO IN) A-GR.4/CHANNEL 25-32
-----
PNT SIGNAL NAME COLOR LV TYPE F
-----
1 TA-CH25
2 TA-ICH25
3 TA-CH26
4 TA-ICH26
5 TA-CH27
6 TA-ICH27
7 TA-CH28
8 TA-ICH28
9 TA-CH29
10 TA-ICH29
11 TA-CH30
12 TA-ICH30
13 TA-CH31
14 TA-ICH31
15 TA-CH32
16 TA-ICH32
-----
./.
```

```
ELM 4
MA (MAPRO OUT) A-GR.4/CHANNEL 25-32
-----
PNT SIGNAL NAME COLOR LV TYPE F
-----
1 MA-CH25
2 MA-ICH25
3 MA-CH26
4 MA-ICH26
5 MA-CH27
6 MA-ICH27
7 MA-CH28
8 MA-ICH28
9 MA-CH29
10 MA-ICH29
11 MA-CH30
12 MA-ICH30
13 MA-CH31
14 MA-ICH31
15 MA-CH32
16 MA-ICH32
-----
./.
```

```
GRP 1
<-- <-- <-- CONTINUATION
=====
```

```
ELM 5
CUE PDM (TO TD)
-----
PNT SIGNAL NAME COLOR LV TYPE F
-----
1 CU-CUE1
2 CU-ICUE1
3 CU-CUE2
4 CU-ICUE2
5
6
7
8
9
10
-----
```

```
ELM 6
PIF SSDA
-----
PNT SIGNAL NAME COLOR LV TYPE F
-----
1 TD-SCLK
2 TD-ISCLK
3 TD-SRX
4 TD-ISRX
5 TD-STX
6 TD-ISTX
7 TD-SDTR
8 TD-ISDTR
9 TD-SCTS
10 TD-ISCTS
-----
```

```
ELM 7
CUE ANALOG (FROM TD)
-----
PNT SIGNAL NAME COLOR LV TYPE F
-----
1 AA-CUE10
2 AA-CUE1B
3 AA-CUE2A
4
5
6 AA-CUE1A
7 AA-CUE20
8 AA-CUE2B
9
-----
./.
```

```
*****
* STUDER REVOX AG * L O C A T I O N P I N L I S T * 91/02/19 * 11:24 * P A G E 246 *
*****
* 1.862.010.00 D820-48 PCM TAPE - RECORDER * 90/03/21 - 00 *
*****
ASY 5D 1.862.000.00 TD & HD-INTERFACE
```

```
GRP 1
<-- <-- <-- CONTINUATION
=====
```

```
ELM 8
RT+TC DATA (TO TD)
-----
PNT SIGNAL NAME COLOR LV TYPE F
-----
1 RT-RT
2 RT-IRT
3 SS-TC
4 SS-ITC
5
6
7 TA-RT
8 TA-IRT
9 TA-TC
10 TA-ITC
-----
```

```
ELM 9
PIF SERBUS INTERN
-----
PNT SIGNAL NAME COLOR LV TYPE F
-----
1 PI-SCLK
2 PI-ISCLK
3 PI-STPH
4 PI-ISTPH
5 PI-SDAT
6 PI-ISDAT
7 PI-SVAL
8 PI-ISVAL
9
10
-----
./.
```

```
GRP 1
<-- <-- <-- CONTINUATION
=====
```

```
ELM 10
CLOCK-CONNECTOR
-----
PNT SIGNAL NAME COLOR LV TYPE F
-----
1 CK-MCK
2 CK-IMCK
3 CK-BSY
4 CK-IBSY
5 CK-SSY
6 CK-ISSY
7
8
9 RT-SSYTP
10 RTISSYTP
11 RT-GRID
12 RT-IGRID
13 TC-BPHO
14 TC-IBPHO
15 TC-BPH1
16 TC-IBPH1
17 SS-RFNT
18 SS-IRFNT
19 CK-RFXT
20 CK-IRFXT
21 T-REFEX
22 T-IREFEX
23 TD-MVCLK
24 TDIMVCLK
25 TD-MVDIR
26 TDIMVDIR
-----
./.
```

```
GRP 1
<-- <-- <-- CONTINUATION
=====
```

```
ELM 11
PIF TDC-BUS
-----
PNT SIGNAL NAME COLOR LV TYPE F
-----
1 GND
2 GND
3 PI-SL5
4 PI-ISL5
5 PI-SL4
6 PI-ISL4
7 PI-RES
8 PI-IRES
9 PI-RW
10 PI-IRW
11 PI-ENB
12 PI-IENB
13 PI-ADR2
14 PI-IADR2
15 PI-ADR1
16 PI-IADR1
17 PI-ADRO
18 PI-IADRO
19 TM-SHIR
20 GND
21 TM-KBIR
22 GND
23 TM-REIR
24 GND
25 PI-DATA7
26 GND
27 PI-DATA6
28 GND
29 PI-DATA5
30 GND
31 PI-DATA4
32 GND
33 PI-DATA3
34 GND
35 PI-DATA2
36 GND
37 PI-DATA1
38 GND
39 PI-DATA0
40 GND
-----
./.
```

STUDER D820 MCH

 * STUDER REVOX AG * L O C A T I O N P I N L I S T * 91/02/19 * 11:24 * P A G E 247 *

 * 1.862.010.00 D820-48 PCM TAPE - RECORDER * 90/03/21 - 00 *

 ASY 5D 1.862.000.00 TD & HD-INTERFACE <-- <-- <-- CONTINUATION

GRP 1 <-- <-- <-- CONTINUATION
 =====

ELM 12
 GND
 PNT SIGNAL NAME COLOR LV TYPE F

 1 GND

ELM 13
 SHELL
 PNT SIGNAL NAME COLOR LV TYPE F

 1 SHELL

GRP 2
 RIGHT PANEL
 =====

ELM 1
 TA (MAPRO IN) A-GR.2/CHANNEL 9-16
 PNT SIGNAL NAME COLOR LV TYPE F

 1 TA-CH09
 2 TA-ICH09
 3 TA-CH10
 4 TA-ICH10
 5 TA-CH11
 6 TA-ICH11
 7 TA-CH12
 8 TA-ICH12
 9 TA-CH13
 10 TA-ICH13
 11 TA-CH14
 12 TA-ICH14
 13 TA-CH15
 14 TA-ICH15
 15 TA-CH16
 16 TA-ICH16

ELM 2
 MA (MAPRO OUT) A-GR.2/CHANNEL 9-16
 PNT SIGNAL NAME COLOR LV TYPE F

1 MA-CH09
 2 MA-ICH09
 3 MA-CH10
 4 MA-ICH10
 5 MA-CH11
 6 MA-ICH11
 7 MA-CH12
 8 MA-ICH12
 9 MA-CH13
 10 MA-ICH13
 11 MA-CH14
 12 MA-ICH14
 13 MA-CH15
 14 MA-ICH15
 15 MA-CH16
 16 MA-ICH16

GRP 2 <-- <-- <-- CONTINUATION
 =====

ELM 3
 TA (MAPRO IN) A-GR.3/CHANNEL 17-24
 PNT SIGNAL NAME COLOR LV TYPE F

 1 TA-CH17
 2 TA-ICH17
 3 TA-CH18
 4 TA-ICH18
 5 TA-CH19
 6 TA-ICH19
 7 TA-CH20
 8 TA-ICH20
 9 TA-CH21
 10 TA-ICH21
 11 TA-CH22
 12 TA-ICH22
 13 TA-CH23
 14 TA-ICH23
 15 TA-CH24
 16 TA-ICH24

ELM 4
 MA (MAPRO OUT) A-GR.3/CHANNEL 17-24
 PNT SIGNAL NAME COLOR LV TYPE F

1 MA-CH17
 2 MA-ICH17
 3 MA-CH18
 4 MA-ICH18
 5 MA-CH19
 6 MA-ICH19
 7 MA-CH20
 8 MA-ICH20
 9 MA-CH21
 10 MA-ICH21
 11 MA-CH22
 12 MA-ICH22
 13 MA-CH23
 14 MA-ICH23
 15 MA-CH24
 16 MA-ICH24

 * STUDER REVOX AG * L O C A T I O N P I N L I S T * 91/02/19 * 11:24 * P A G E 248 *

 * 1.862.010.00 D820-48 PCM TAPE - RECORDER * 90/03/21 - 00 *

 ASY 5D 1.862.000.00 TD & HD-INTERFACE <-- <-- <-- CONTINUATION

GRP 2 <-- <-- <-- CONTINUATION
 =====

ELM 5
 TA (MAPRO IN) A-GR.5/CHANNEL 33-40
 PNT SIGNAL NAME COLOR LV TYPE F

 1 TA-CH33
 2 TA-ICH33
 3 TA-CH34
 4 TA-ICH34
 5 TA-CH35
 6 TA-ICH35
 7 TA-CH36
 8 TA-ICH36
 9 TA-CH37
 10 TA-ICH37
 11 TA-CH38
 12 TA-ICH38
 13 TA-CH39
 14 TA-ICH39
 15 TA-CH40
 16 TA-ICH40

ELM 6
 MA (MAPRO OUT) A-GR.5/CHANNEL 33-40
 PNT SIGNAL NAME COLOR LV TYPE F

1 MA-CH33
 2 MA-ICH33
 3 MA-CH34
 4 MA-ICH34
 5 MA-CH35
 6 MA-ICH35
 7 MA-CH36
 8 MA-ICH36
 9 MA-CH37
 10 MA-ICH37
 11 MA-CH38
 12 MA-ICH38
 13 MA-CH39
 14 MA-ICH39
 15 MA-CH40
 16 MA-ICH40

GRP 2 <-- <-- <-- CONTINUATION
 =====

ELM 7
 TA (MAPRO IN) A-GR.6/CHANNEL 41-48
 PNT SIGNAL NAME COLOR LV TYPE F

 1 TA-CH41
 2 TA-ICH41
 3 TA-CH42
 4 TA-ICH42
 5 TA-CH43
 6 TA-ICH43
 7 TA-CH44
 8 TA-ICH44
 9 TA-CH45
 10 TA-ICH45
 11 TA-CH46
 12 TA-ICH46
 13 TA-CH47
 14 TA-ICH47
 15 TA-CH48
 16 TA-ICH48

ELM 8
 MA (MAPRO OUT) A-GR.6/CHANNEL 41-48
 PNT SIGNAL NAME COLOR LV TYPE F

1 MA-CH41
 2 MA-ICH41
 3 MA-CH42
 4 MA-ICH42
 5 MA-CH43
 6 MA-ICH43
 7 MA-CH44
 8 MA-ICH44
 9 MA-CH45
 10 MA-ICH45
 11 MA-CH46
 12 MA-ICH46
 13 MA-CH47
 14 MA-ICH47
 15 MA-CH48
 16 MA-ICH48

GRP 2 <-- <-- <-- CONTINUATION
 =====

ELM 10
 SHELL
 PNT SIGNAL NAME COLOR LV TYPE F

 1 SHELL

ELM 9
 GND
 PNT SIGNAL NAME COLOR LV TYPE F

1 GND

 * STUDER REVOX AG * L O C A T I O N P I N L I S T * 91/02/19 * 11:24 * P A G E 249 *

 * 1.862.010.00 D820-48 PCM TAPE - RECORDER * 90/03/21 - 00 *

 ASY 5D 1.862.000.00 TD & HD-INTERFACE <-- <-- <-- CONTINUATION

GRP 2 <-- <-- <-- CONTINUATION
 =====

ELM 99 DUMMY CONNECTOR NOT EXISTENT 50PIN

PNT	SIGNAL NAME	COLOR	LV	TYPE	F
1				DUMMY	
2				DUMMY	
3				DUMMY	
4				DUMMY	
5				DUMMY	
6				DUMMY	
7				DUMMY	
8				DUMMY	
9				DUMMY	
10				DUMMY	
11				DUMMY	
12				DUMMY	
13				DUMMY	
14				DUMMY	
15				DUMMY	
16				DUMMY	
17				DUMMY	
18				DUMMY	
19				DUMMY	
20				DUMMY	
21				DUMMY	
22				DUMMY	
23				DUMMY	
24				DUMMY	
25				DUMMY	
26				DUMMY	
27				DUMMY	
28				DUMMY	
29				DUMMY	
30				DUMMY	
31				DUMMY	
32				DUMMY	
33				DUMMY	
34				DUMMY	
35				DUMMY	
36				DUMMY	
37				DUMMY	
38				DUMMY	
39				DUMMY	
40				DUMMY	
41				DUMMY	
42				DUMMY	
43				DUMMY	
44				DUMMY	
45				DUMMY	
46				DUMMY	
47				DUMMY	

GRP 2 <-- <-- <-- CONTINUATION
 =====

ELM 99 <-- <-- <-- CONTINUATION

PNT	SIGNAL NAME	COLOR	LV	TYPE	F
48				DUMMY	
49				DUMMY	
50				DUMMY	

 * STUDER REVOX AG * L O C A T I O N P I N L I S T * 91/02/19 * 11:24 * P A G E 250 *

 * 1.862.010.00 D820-48 PCM TAPE - RECORDER * 90/03/21 - 00 *

 ASY 6A 1.862.000.00 DISPLAY-PANEL AUX & A-GR.5, 6

GRP 1 CONNECTORS
 =====

ELM 1 BACKPANEL EXTENSION CONNECTION

PNT	SIGNAL NAME	COLOR	LV	TYPE	F
1	SYNC				
2	SYNC				
3	OSTABIN				
4	OSTABIN				
5	+STABINH				
6	+STABINH				
7	OSTABIN				
8	OSTABIN				
9					
10					
11	TADR3				
12	TADR2				
13	TADR1				
14	TADRO				
15	TRW				
16	ITRES				
17	ITEN				
18	TDAT7				
19	TDAT6				
20	TDAT5				
21	TDAT4				
22	TDAT3				
23	TDAT2				
24	TDAT1				
25	TDATO				
26	OSTABIN				
27	T3SEL				
28	OSTABIN				
29	T3IRQ				
30	OSTABIN				
31	T2SEL				
32	OSTABIN				
33	T2IRQ				
34	OSTABIN				
35	OSTABIN				
36	OSTABIN				
37	OSTABIN				
38	OSTABIN				
39	OSTABIN				
40	OSTABIN				

GRP 1 <-- <-- <-- CONTINUATION
 =====

ELM 2 PIF SERBUS INTERN

PNT	SIGNAL NAME	COLOR	LV	TYPE	F
1	PI-SCLK				
2	PI-ISCLK				
3	PI-STPH				
4	PI-ISTPH				
5	PI-SDAT				
6	PI-ISDAT				
7	PI-SVAL				
8	PI-ISVAL				
9					
10					

ELM 3 0V/60V

PNT	SIGNAL NAME	COLOR	LV	TYPE	F
1	+STABINH				
2	OSTABIN				

ELM 4 0V/5V OUT ** NOT USED **

PNT	SIGNAL NAME	COLOR	LV	TYPE	F
1	+ 5 V 6A(03)				
2	OSTABIN				
3					

GRP 1 <-- <-- <-- CONTINUATION
 =====

ELM 4X DUMMY CONNECTOR NOT EXISTENT 40PIN

PNT	SIGNAL NAME	COLOR	LV	TYPE	F
1X				DUMMY	
2X				DUMMY	
3X				DUMMY	
4X				DUMMY	
5X				DUMMY	
6X				DUMMY	
7X				DUMMY	
8X				DUMMY	
9X				DUMMY	
10X				DUMMY	
11X				DUMMY	
12X				DUMMY	
13X				DUMMY	
14X				DUMMY	
15X				DUMMY	
16X				DUMMY	
17X				DUMMY	
18X				DUMMY	
19X				DUMMY	
20X				DUMMY	
21X				DUMMY	
22X				DUMMY	
23X				DUMMY	
24X				DUMMY	
25X				DUMMY	
26X				DUMMY	
27X				DUMMY	
28X				DUMMY	
29X				DUMMY	
30X				DUMMY	
31X				DUMMY	
32X				DUMMY	
33X				DUMMY	
34X				DUMMY	
35X				DUMMY	
36X				DUMMY	
37X				DUMMY	
38X				DUMMY	
39X				DUMMY	
40X				DUMMY	

STUDER D820 MCH

```
*****
*   STUDER REVOX AG *   L O C A T I O N   P I N   L I S T   * 91/02/19 * 11:24 * P A G E 251 *
*****
*   1.862.010.00 D820-48 PCM TAPE - RECORDER * 90/03/21 - 00 *
*****
ASY 6A 1.862.000.00 DISPLAY-PANEL AUX & A-GR.5, 6 <-- <-- <-- CONTINUATION
```

```
GRP 2
AUXILIARY KEYS AND MICROPROCESSOR
=====
ELM 1A 1.862.812.00
DP KEY DETECTION AUX
-----
PNT SIGNAL NAME COLOR LV TYPE F
-----
1A OSTABIN
2A OSTABIN
3A +STABINH
4A +STABINH
5A + 5 V 6A(02)
6A TADR1
7A TRW
8A ITEN
9A TDAT6
10A TDAT4
11A TDAT2
12A TDAT0
13A ASMEN6
14A ASMEN4
15A ASMEN2
16A ASMEN0
17A AS6
18A AS4
19A AS2
20A AS0
21A ACH3
22A ACH1
23A ALWR
24A AD1
25A AD3
26A AD5
27A AD7
28A
29A SYNC
30A + 5 V 6A(02)
31A OSTABIN
32A OSTABIN
-----
./.
```

```
GRP 2
<-- <-- <-- CONTINUATION
=====
ELM 1B 1.862.812.00
DP KEY DETECTION AUX
-----
PNT SIGNAL NAME COLOR LV TYPE F
-----
1B OSTABIN
2B OSTABIN
3B +STABINH
4B +STABINH
5B + 5 V 6A(02)
6B TADR2
7B
8B
9B TASEL
10B
11B
12B
13B
14B
15B
16B
17B
18B
19B ACH8
20B ACH7
21B ACH6
22B ACH5
23B TAIRQ
24B
25B ALD2
26B
27B
28B
29B SYNC
30B + 5 V 6A(02)
31B OSTABIN
32B OSTABIN
-----
./.
```

```
GRP 2
<-- <-- <-- CONTINUATION
=====
ELM 1C 1.862.812.00
DP KEY DETECTION AUX
-----
PNT SIGNAL NAME COLOR LV TYPE F
-----
1C OSTABIN
2C OSTABIN
3C +STABINH
4C +STABINH
5C + 5 V 6A(02)
6C TADR3
7C TADR0
8C ITRES
9C TDAT7
10C TDAT5
11C TDAT3
12C TDAT1
13C ASMEN7
14C ASMEN5
15C ASMEN3
16C ASMEN1
17C AS7
18C AS5
19C AS3
20C AS1
21C ACH4
22C ACH2
23C ALD1
24C AD0
25C AD2
26C AD4
27C AD6
28C
29C SYNC
30C + 5 V 6A(02)
31C OSTABIN
32C OSTABIN
-----
./.
```

```
*****
*   STUDER REVOX AG *   L O C A T I O N   P I N   L I S T   * 91/02/19 * 11:24 * P A G E 252 *
*****
*   1.862.010.00 D820-48 PCM TAPE - RECORDER * 90/03/21 - 00 *
*****
ASY 6A 1.862.000.00 DISPLAY-PANEL AUX & A-GR.5, 6 <-- <-- <-- CONTINUATION
```

```
GRP 2
<-- <-- <-- CONTINUATION
=====
ELM 13A 1.862.815.00
DP MICROPROCESSOR
-----
PNT SIGNAL NAME COLOR LV TYPE F
-----
1A OSTABIN
2A OSTABIN
3A
4A
5A OSTABIN
6A OSTABIN
7A OSTABIN
8A OSTABIN
9A OSTABIN
10A
11A PI-SVAL
12A PI-SDAT
13A PI-STPH
14A PI-SCLK
15A
16A
17A
18A
19A TADR3
20A TADR1
21A TRW
22A ITEN
23A TDAT6
24A TDAT4
25A TDAT2
26A TDAT0
27A TAIRQ
28A TASEL
29A TIIRQ
30A TISEL
31A + 5 V 6A(02)
32A + 5 V 6A(02)
-----
./.
```

```
GRP 2
<-- <-- <-- CONTINUATION
=====
ELM 13B 1.862.815.00
DP MICROPROCESSOR
-----
PNT SIGNAL NAME COLOR LV TYPE F
-----
1B OSTABIN
2B OSTABIN
3B
4B
5B
6B
7B
8B
9B
10B OSTABIN
11B OSTABIN
12B OSTABIN
13B OSTABIN
14B OSTABIN
15B OSTABIN
16B OSTABIN
17B OSTABIN
18B OSTABIN
19B OSTABIN
20B OSTABIN
21B OSTABIN
22B OSTABIN
23B OSTABIN
24B OSTABIN
25B OSTABIN
26B
27B
28B
29B
30B
31B + 5 V 6A(02)
32B + 5 V 6A(02)
-----
./.
```

```
GRP 2
<-- <-- <-- CONTINUATION
=====
ELM 13C 1.862.815.00
DP MICROPROCESSOR
-----
PNT SIGNAL NAME COLOR LV TYPE F
-----
1C OSTABIN
2C OSTABIN
3C
4C
5C T2IRQ
6C T2SEL
7C T3IRQ
8C T3SEL
9C
10C
11C PI-ISVAL
12C PI-ISDAT
13C PI-ISTPH
14C PI-ISCLK
15C
16C
17C
18C
19C TADR2
20C TADR0
21C ITRES
22C TDAT7
23C TDAT5
24C TDAI3
25C TDAT1
26C OSTABIN
27C OSTABIN
28C OSTABIN
29C OSTABIN
30C OSTABIN
31C + 5 V 6A(02)
32C + 5 V 6A(02)
-----
./.
```

 * STUDER REVOX AG * L O C A T I O N P I N L I S T * 91/02/19 * 11:24 * P A G E 253 *
 * 1.862.010.00 D820-48 PCM TAPE - RECORDER * 90/03/21 - 00 *
 ASY 6A 1.862.000.00 DISPLAY-PANEL AUX & A-GR.5, 6 <-- <-- <-- CONTINUATION

GRP 2 <-- <-- <-- CONTINUATION
 =====
 ELM 14A 1.862.811.00
 DP AUXILIARY KEYS AUX
 PNT SIGNAL NAME COLOR LV TYPE F
 1A OSTABIN
 2A OSTABIN
 3A OSTABIN
 4A
 5A + 5 V 6A(02)
 6A + 5 V 6A(02)
 7A
 8A
 9A
 10A
 11A
 12A
 13A
 14A ASHEN4
 15A ASHEN2
 16A ASHENO
 17A AS6
 18A AS4
 19A AS2
 20A AS0
 21A
 22A ACH1
 23A ALWR
 24A AD1
 25A AD3
 26A AD5
 27A AD7
 28A + 5 V 6A(02)
 29A + 5 V 6A(02)
 30A OSTABIN
 31A OSTABIN
 32A OSTABIN

 ./.

GRP 2 <-- <-- <-- CONTINUATION
 =====
 ELM 14B 1.862.811.00
 DP AUXILIARY KEYS AUX
 PNT SIGNAL NAME COLOR LV TYPE F
 1B OSTABIN
 2B OSTABIN
 3B OSTABIN
 4B
 5B + 5 V 6A(02)
 6B + 5 V 6A(02)
 7B
 8B
 9B
 10B
 11B
 12B
 13B
 14B
 15B
 16B
 17B
 18B
 19B
 20B
 21B
 22B
 23B
 24B
 25B
 26B
 27B
 28B + 5 V 6A(02)
 29B + 5 V 6A(02)
 30B OSTABIN
 31B OSTABIN
 32B OSTABIN

 ./.

GRP 2 <-- <-- <-- CONTINUATION
 =====
 ELM 14C 1.862.811.00
 DP AUXILIARY KEYS AUX
 PNT SIGNAL NAME COLOR LV TYPE F
 1C OSTABIN
 2C OSTABIN
 3C OSTABIN
 4C
 5C + 5 V 6A(02)
 6C + 5 V 6A(02)
 7C
 8C
 9C
 10C
 11C
 12C
 13C
 14C
 15C ASWEN3
 16C ASWEN1
 17C AS7
 18C AS5
 19C AS3
 20C AS1
 21C
 22C
 23C ALD1
 24C AD0
 25C AD2
 26C AD4
 27C AD6
 28C + 5 V 6A(02)
 29C + 5 V 6A(02)
 30C OSTABIN
 31C OSTABIN
 32C OSTABIN

 ./.

 * STUDER REVOX AG * L O C A T I O N P I N L I S T * 91/02/19 * 11:24 * P A G E 254 *
 * 1.862.010.00 D820-48 PCM TAPE - RECORDER * 90/03/21 - 00 *
 ASY 6A 1.862.000.00 DISPLAY-PANEL AUX & A-GR.5, 6 <-- <-- <-- CONTINUATION

GRP 3 CHANNEL KEYS + LEV A-GR.5, 6
 =====
 ELM 1A 1.862.812.00
 DP KEY DETECTION A-GR.5+6
 PNT SIGNAL NAME COLOR LV TYPE F
 1A OSTABIN
 2A OSTABIN
 3A +STABINH
 4A +STABINH
 5A + 5 V 6A(03)
 6A TADR1
 7A TRM
 8A ITEN
 9A TDAT6
 10A TDAT4
 11A TDAT2
 12A TDAT0
 13A ISWEN6
 14A ISWEN4
 15A ISWEN2
 16A ISWENO
 17A IS6
 18A IS4
 19A IS2
 20A IS0
 21A ICH3
 22A ICH1
 23A ILWR
 24A ID1
 25A ID3
 26A ID5
 27A ID7
 28A
 29A SYNC
 30A + 5 V 6A(03)
 31A OSTABIN
 32A OSTABIN

 ./.

GRP 3 <-- <-- <-- CONTINUATION
 =====
 ELM 1B 1.862.812.00
 DP KEY DETECTION A-GR.5+6
 PNT SIGNAL NAME COLOR LV TYPE F
 1B OSTABIN
 2B OSTABIN
 3B +STABINH
 4B +STABINH
 5B + 5 V 6A(03)
 6B TADR2
 7B
 8B
 9B TISEL
 10B
 11B
 12B
 13B
 14B
 15B
 16B
 17B
 18B
 19B ICH8
 20B ICH7
 21B ICH6
 22B ICH5
 23B TIRQ
 24B
 25B 1LD2
 26B
 27B
 28B
 29B SYNC
 30B + 5 V 6A(03)
 31B OSTABIN
 32B OSTABIN

 ./.

GRP 3 <-- <-- <-- CONTINUATION
 =====
 ELM 1C 1.862.812.00
 DP KEY DETECTION A-GR.5+6
 PNT SIGNAL NAME COLOR LV TYPE F
 1C OSTABIN
 2C OSTABIN
 3C +STABINH
 4C +STABINH
 5C + 5 V 6A(03)
 6C TADR3
 7C TADRO
 8C ITRES
 9C TDAT7
 10C TDAT5
 11C TDAT3
 12C TDAT1
 13C ISWEN7
 14C ISWEN5
 15C ISWEN3
 16C ISWEN1
 17C IS7
 18C IS5
 19C IS3
 20C IS1
 21C ICH4
 22C ICH2
 23C 1LD1
 24C 1D0
 25C 1D2
 26C 1D4
 27C 1D6
 28C
 29C SYNC
 30C + 5 V 6A(03)
 31C OSTABIN
 32C OSTABIN

 ./.

STUDER D820 MCH

```
*****
* STUDER REVOX AG * L O C A T I O N P I N N L I S T * 91/02/19 * 11:24 * P A G E 255 *
*****
* 1.862.010.00 D820-48 PCM TAPE - RECORDER * 90/03/21 - 00 *
*****
ASY 6A 1.862.000.00 DISPLAY-PANEL AUX & A-GR.5, 6 <-- <-- <-- CONTINUATION
```

```
GRP 3 <-- <-- <-- CONTINUATION
=====
ELM 11A 1.862.813.00
DP CHANNEL KEYS + LEV A-GR.5
PNT SIGNAL NAME COLOR LV TYPE F
-----
1A OSTABIN
2A OSTABIN
3A OSTABIN
4A
5A + 5 V 6A(03)
6A + 5 V 6A(03)
7A
8A
9A
10A
11A
12A
13A
14A
15A 1SMEN2
16A 1SMEN0
17A 1S6
18A 1S4
19A 1S2
20A 1S0
21A 1CH3
22A 1CH1
23A 1LWR
24A 1D1
25A 1D3
26A 1D5
27A 1D7
28A + 5 V 6A(03)
29A + 5 V 6A(03)
30A OSTABIN
31A OSTABIN
32A OSTABIN
-----
./.
```

```
GRP 3 <-- <-- <-- CONTINUATION
=====
ELM 11B 1.862.813.00
DP CHANNEL KEYS + LEV A-GR.5
PNT SIGNAL NAME COLOR LV TYPE F
-----
1B OSTABIN
2B OSTABIN
3B OSTABIN
4B
5B + 5 V 6A(03)
6B + 5 V 6A(03)
7B
8B
9B
10B
11B
12B
13B
14B
15B
16B
17B
18B
19B
20B
21B
22B
23B
24B
25B
26B
27B
28B + 5 V 6A(03)
29B + 5 V 6A(03)
30B OSTABIN
31B OSTABIN
32B OSTABIN
-----
./.
```

```
GRP 3 <-- <-- <-- CONTINUATION
=====
ELM 11C 1.862.813.00
DP CHANNEL KEYS + LEV A-GR.5
PNT SIGNAL NAME COLOR LV TYPE F
-----
1C OSTABIN
2C OSTABIN
3C OSTABIN
4C
5C + 5 V 6A(03)
6C + 5 V 6A(03)
7C
8C
9C
10C
11C
12C
13C
14C
15C
16C 1SMEN1
17C 1S7
18C 1S5
19C 1S3
20C 1S1
21C 1CH4
22C 1CH2
23C 1LD1
24C 1D0
25C 1D2
26C 1D4
27C 1D6
28C + 5 V 6A(03)
29C + 5 V 6A(03)
30C OSTABIN
31C OSTABIN
32C OSTABIN
-----
./.
```

```
*****
* STUDER REVOX AG * L O C A T I O N P I N N L I S T * 91/02/19 * 11:24 * P A G E 256 *
*****
* 1.862.010.00 D820-48 PCM TAPE - RECORDER * 90/03/21 - 00 *
*****
ASY 6A 1.862.000.00 DISPLAY-PANEL AUX & A-GR.5, 6 <-- <-- <-- CONTINUATION
```

```
GRP 3 <-- <-- <-- CONTINUATION
=====
ELM 12A 1.862.813.00
DP CHANNEL KEYS + LEV A-GR.6
PNT SIGNAL NAME COLOR LV TYPE F
-----
1A OSTABIN
2A OSTABIN
3A OSTABIN
4A
5A + 5 V 6A(03)
6A + 5 V 6A(03)
7A
8A
9A
10A
11A
12A
13A
14A
15A 1SMEN6
16A 1SMEN4
17A 1S6
18A 1S4
19A 1S2
20A 1S0
21A 1CH7
22A 1CH5
23A 1LWR
24A 1D1
25A 1D3
26A 1D5
27A 1D7
28A + 5 V 6A(03)
29A + 5 V 6A(03)
30A OSTABIN
31A OSTABIN
32A OSTABIN
-----
./.
```

```
GRP 3 <-- <-- <-- CONTINUATION
=====
ELM 12B 1.862.813.00
DP CHANNEL KEYS + LEV A-GR.6
PNT SIGNAL NAME COLOR LV TYPE F
-----
1B OSTABIN
2B OSTABIN
3B OSTABIN
4B
5B + 5 V 6A(03)
6B + 5 V 6A(03)
7B
8B
9B
10B
11B
12B
13B
14B
15B
16B
17B
18B
19B
20B
21B
22B
23B
24B
25B
26B
27B
28B + 5 V 6A(03)
29B + 5 V 6A(03)
30B OSTABIN
31B OSTABIN
32B OSTABIN
-----
./.
```

```
GRP 3 <-- <-- <-- CONTINUATION
=====
ELM 12C 1.862.813.00
DP CHANNEL KEYS + LEV A-GR.6
PNT SIGNAL NAME COLOR LV TYPE F
-----
1C OSTABIN
2C OSTABIN
3C OSTABIN
4C
5C + 5 V 6A(03)
6C + 5 V 6A(03)
7C
8C
9C
10C
11C
12C
13C
14C
15C
16C 1SMEN5
17C 1S7
18C 1S5
19C 1S3
20C 1S1
21C 1CH8
22C 1CH6
23C 1LD2
24C 1D0
25C 1D2
26C 1D4
27C 1D6
28C + 5 V 6A(03)
29C + 5 V 6A(03)
30C OSTABIN
31C OSTABIN
32C OSTABIN
-----
./.
```

 * STUDER REVOX AG * L O C A T I O N P I N L I S T * 91/02/19 * 11:24 * P A G E 257 *
 * 1.862.010.00 D820-48 PCM TAPE - RECORDER * 90/03/21 - 00 *
 ASY 6A 1.862.000.00 DISPLAY-PANEL AUX & A-GR.5, 6 <-- <-- <-- CONTINUATION

GRP 4
 BUS TERMINATION

ELM 1 57.88.4332
 Z 1 8 * 3.3 K
 PNT SIGNAL NAME COLOR LV TYPE F
 1 + 5 V 6A(02)
 2 TDAT7
 3 ITEN
 4 ITRES
 5 TRW
 6 TADRO
 7 TADR1
 8 TADR2
 9 TADR3

ELM 2 ** NOT USED **
 Z 2
 PNT SIGNAL NAME COLOR LV TYPE F
 1 OSTABIN
 2 TDAT7
 3 ITEN
 4 ITRES
 5 TRW
 6 TADRO
 7 TADR1
 8 TADR2
 9 TADR3

ELM 3 57.88.4332
 Z 3 8 * 3.3 K
 PNT SIGNAL NAME COLOR LV TYPE F
 1 + 5 V 6A(02)
 2
 3 TDAT0
 4 TDAT1
 5 TDAT2
 6 TDAT3
 7 TDAT4
 8 TDAT5
 9 TDAT6

./.

GRP 4 <-- <-- <-- CONTINUATION

ELM 4 ** NOT USED **
 Z 4
 PNT SIGNAL NAME COLOR LV TYPE F
 1 OSTABIN
 2
 3 TDAT0
 4 TDAT1
 5 TDAT2
 6 TDAT3
 7 TDAT4
 8 TDAT5
 9 TDAT6

ELM 5 ** NOT USED **
 R 5
 PNT SIGNAL NAME COLOR LV TYPE F
 1 PI-SVAL
 2 PI-ISVAL

ELM 6 ** NOT USED **
 R 6
 PNT SIGNAL NAME COLOR LV TYPE F
 1 PI-SDAT
 2 PI-ISDAT

ELM 7 ** NOT USED **
 R 7
 PNT SIGNAL NAME COLOR LV TYPE F
 1 PI-STPH
 2 PI-ISTPH

ELM 8 ** NOT USED **
 R 8
 PNT SIGNAL NAME COLOR LV TYPE F
 1 PI-SCLK
 2 PI-ISCLK

./.

GRP 4 <-- <-- <-- CONTINUATION

ELM 9 ** NOT USED **
 R 9
 PNT SIGNAL NAME COLOR LV TYPE F
 1 OSTABIN
 2 T1IRQ

ELM 10 ** NOT USED **
 R 10
 PNT SIGNAL NAME COLOR LV TYPE F
 1 + 5 V 6A(03)
 2 T1IRQ

 * STUDER REVOX AG * L O C A T I O N P I N L I S T * 91/02/19 * 11:24 * P A G E 258 *
 * 1.862.010.00 D820-48 PCM TAPE - RECORDER * 90/03/21 - 00 *
 ASY 6B 1.862.000.00 DISPLAY-PANEL A-GR.1, 2, 3, 4

GRP 1
 CHANNEL KEYS + LEV A-GR.1, 2

ELM 1A 1.862.812.00
 DP KEY DETECTION A-GR.3+4
 PNT SIGNAL NAME COLOR LV TYPE F
 1A OSTABIN
 2A OSTABIN
 3A +STABINH
 4A +STABINH
 5A + 5 V 6B(01)
 6A TADR1
 7A TRW
 8A ITEN
 9A TDAT6
 10A TDAT4
 11A TDAT2
 12A TDAT0
 13A 2SMEN6
 14A 2SMEN4
 15A 2SMEN2
 16A 2SMEN0
 17A 2S6
 18A 2S4
 19A 2S2
 20A 2S0
 21A 2CH3
 22A 2CH1
 23A 2LWR
 24A 2D1
 25A 2D3
 26A 2D5
 27A 2D7
 28A
 29A SYNC
 30A + 5 V 6B(01)
 31A OSTABIN
 32A OSTABIN

./.

GRP 1 <-- <-- <-- CONTINUATION

ELM 1B 1.862.812.00
 DP KEY DETECTION A-GR.3+4
 PNT SIGNAL NAME COLOR LV TYPE F
 1B OSTABIN
 2B OSTABIN
 3B +STABINH
 4B +STABINH
 5B + 5 V 6B(01)
 6B TADR2
 7B
 8B
 9B T2SEL
 10B
 11B
 12B
 13B
 14B
 15B
 16B
 17B
 18B
 19B 2CH8
 20B 2CH7
 21B 2CH6
 22B 2CH5
 23B T2IRQ
 24B
 25B 2LD2
 26B
 27B
 28B
 29B SYNC
 30B + 5 V 6B(01)
 31B OSTABIN
 32B OSTABIN

./.

GRP 1 <-- <-- <-- CONTINUATION

ELM 1C 1.862.812.00
 DP KEY DETECTION A-GR.3+4
 PNT SIGNAL NAME COLOR LV TYPE F
 1C OSTABIN
 2C OSTABIN
 3C +STABINH
 4C +STABINH
 5C + 5 V 6B(01)
 6C TADR3
 7C TADRO
 8C ITRES
 9C TDAT7
 10C TDAT5
 11C TDAT3
 12C TDAT1
 13C 2SMEN7
 14C 2SMEN5
 15C 2SMEN3
 16C 2SMEN1
 17C 2S7
 18C 2S5
 19C 2S3
 20C 2S1
 21C 2CH4
 22C 2CH2
 23C 2LD1
 24C 2D0
 25C 2D2
 26C 2D4
 27C 2D6
 28C
 29C SYNC
 30C + 5 V 6B(01)
 31C OSTABIN
 32C OSTABIN

./.

STUDER D820 MCH

```
*****
*   STUDER REVOX AG *   L O C A T I O N   P I N   L I S T   *   91/02/19 * 11:24 * P A G E 259 *
*****
*   1.862.010.00 D820-48 PCM TAPE - RECORDER *   90/03/21 - 00 *
*****
ASY 6B 1.862.000.00 DISPLAY-PANEL A-GR.1, 2, 3, 4 <-- <-- <-- CONTINUATION
```

```
GRP 1 <-- <-- <-- CONTINUATION
=====
ELM 11A 1.862.813.00
DP CHANNEL KEYS + LEV A-GR.3
-----
PNT SIGNAL NAME COLOR LV TYPE F
-----
1A OSTABIN
2A OSTABIN
3A OSTABIN
4A
5A + 5 V 6B(01)
6A + 5 V 6B(01)
7A
8A
9A
10A
11A
12A
13A
14A
15A 2SMEN2
16A 2SMEN0
17A 2S6
18A 2S4
19A 2S2
20A 2S0
21A 2CH3
22A 2CH1
23A 2LWR
24A 2D1
25A 2D3
26A 2D5
27A 2D7
28A + 5 V 6B(01)
29A + 5 V 6B(01)
30A OSTABIN
31A OSTABIN
32A OSTABIN
-----
./.
```

```
GRP 1 <-- <-- <-- CONTINUATION
=====
ELM 11B 1.862.813.00
DP CHANNEL KEYS + LEV A-GR.3
-----
PNT SIGNAL NAME COLOR LV TYPE F
-----
1B OSTABIN
2B OSTABIN
3B OSTABIN
4B
5B + 5 V 6B(01)
6B + 5 V 6B(01)
7B
8B
9B
10B
11B
12B
13B
14B
15B
16B
17B
18B
19B
20B
21B
22B
23B
24B
25B
26B
27B
28B + 5 V 6B(01)
29B + 5 V 6B(01)
30B OSTABIN
31B OSTABIN
32B OSTABIN
-----
./.
```

```
GRP 1 <-- <-- <-- CONTINUATION
=====
ELM 11C 1.862.813.00
DP CHANNEL KEYS + LEV A-GR.3
-----
PNT SIGNAL NAME COLOR LV TYPE F
-----
1C OSTABIN
2C OSTABIN
3C OSTABIN
4C
5C + 5 V 6B(01)
6C + 5 V 6B(01)
7C
8C
9C
10C
11C
12C
13C
14C
15C
16C 2SMEN1
17C 2S7
18C 2S5
19C 2S3
20C 2S1
21C 2CH4
22C 2CH2
23C 2LD1
24C 2D0
25C 2D2
26C 2D4
27C 2D6
28C + 5 V 6B(01)
29C + 5 V 6B(01)
30C OSTABIN
31C OSTABIN
32C OSTABIN
-----
./.
```

```
*****
*   STUDER REVOX AG *   L O C A T I O N   P I N   L I S T   *   91/02/19 * 11:24 * P A G E 260 *
*****
*   1.862.010.00 D820-48 PCM TAPE - RECORDER *   90/03/21 - 00 *
*****
ASY 6B 1.862.000.00 DISPLAY-PANEL A-GR.1, 2, 3, 4 <-- <-- <-- CONTINUATION
```

```
GRP 1 <-- <-- <-- CONTINUATION
=====
ELM 12A 1.862.813.00
DP CHANNEL KEYS + LEV A-GR.4
-----
PNT SIGNAL NAME COLOR LV TYPE F
-----
1A OSTABIN
2A OSTABIN
3A OSTABIN
4A
5A + 5 V 6B(01)
6A + 5 V 6B(01)
7A
8A
9A
10A
11A
12A
13A
14A
15A 2SMEN6
16A 2SMEN4
17A 2S6
18A 2S4
19A 2S2
20A 2S0
21A 2CH7
22A 2CH5
23A 2LWR
24A 2D1
25A 2D3
26A 2D5
27A 2D7
28A + 5 V 6B(01)
29A + 5 V 6B(01)
30A OSTABIN
31A OSTABIN
32A OSTABIN
-----
./.
```

```
GRP 1 <-- <-- <-- CONTINUATION
=====
ELM 12B 1.862.813.00
DP CHANNEL KEYS + LEV A-GR.4
-----
PNT SIGNAL NAME COLOR LV TYPE F
-----
1B OSTABIN
2B OSTABIN
3B OSTABIN
4B
5B + 5 V 6B(01)
6B + 5 V 6B(01)
7B
8B
9B
10B
11B
12B
13B
14B
15B
16B
17B
18B
19B
20B
21B
22B
23B
24B
25B
26B
27B
28B + 5 V 6B(01)
29B + 5 V 6B(01)
30B OSTABIN
31B OSTABIN
32B OSTABIN
-----
./.
```

```
GRP 1 <-- <-- <-- CONTINUATION
=====
ELM 12C 1.862.813.00
DP CHANNEL KEYS + LEV A-GR.4
-----
PNT SIGNAL NAME COLOR LV TYPE F
-----
1C OSTABIN
2C OSTABIN
3C OSTABIN
4C
5C + 5 V 6B(01)
6C + 5 V 6B(01)
7C
8C
9C
10C
11C
12C
13C
14C
15C
16C 2SMEN5
17C 2S7
18C 2S5
19C 2S3
20C 2S1
21C 2CH8
22C 2CH6
23C 2LD2
24C 2D0
25C 2D2
26C 2D4
27C 2D6
28C + 5 V 6B(01)
29C + 5 V 6B(01)
30C OSTABIN
31C OSTABIN
32C OSTABIN
-----
./.
```

 * STUDER REVOX AG * L O C A T I O N P I N L I S T * 91/02/19 * 11:24 * P A G E 261 *

 * 1.862.010.00 D820-48 PCM TAPE - RECORDER * 90/03/21 - 00 *

 ASY 6B 1.862.000.00 DISPLAY-PANEL A-GR.1, 2, 3, 4 <-- <-- <-- CONTINUATION

GRP 2
 CHANNEL KEYS + LEV A-GR.3, 4
 =====
 ELM 1A 1.862.812.00
 DP KEY DETECTION A-GR.1+2

 PNT SIGNAL NAME COLOR LV TYPE F

 1A OSTABIN
 2A OSTABIN
 3A +STABINH
 4A +STABINH
 5A + 5 V 6B(02)
 6A TADR1
 7A TRW
 8A ITEN
 9A TDAT6
 10A TDAT4
 11A TDAT2
 12A TDAT0
 13A 3SMEN6
 14A 3SMEN4
 15A 3SMEN2
 16A 3SMENO
 17A 3S6
 18A 3S4
 19A 3S2
 20A 3S0
 21A 3CH3
 22A 3CH1
 23A 3LWR
 24A 3D1
 25A 3D3
 26A 3D5
 27A 3D7
 28A
 29A SYNC
 30A + 5 V 6B(02)
 31A OSTABIN
 32A OSTABIN

 ./.

GRP 2
 <-- <-- <-- CONTINUATION
 =====
 ELM 1B 1.862.812.00
 DP KEY DETECTION A-GR.1+2

 PNT SIGNAL NAME COLOR LV TYPE F

 1B OSTABIN
 2B OSTABIN
 3B +STABINH
 4B +STABINH
 5B + 5 V 6B(02)
 6B TADR2
 7B
 8B
 9B T3SEL
 10B
 11B
 12B
 13B
 14B
 15B
 16B
 17B
 18B
 19B 3CH8
 20B 3CH7
 21B 3CH6
 22B 3CH5
 23B T3IRQ
 24B
 25B 3LD2
 26B
 27B
 28B
 29B SYNC
 30B + 5 V 6B(02)
 31B OSTABIN
 32B OSTABIN

 ./.

GRP 2
 <-- <-- <-- CONTINUATION
 =====
 ELM 1C 1.862.812.00
 DP KEY DETECTION A-GR.1+2

 PNT SIGNAL NAME COLOR LV TYPE F

 1C OSTABIN
 2C OSTABIN
 3C +STABINH
 4C +STABINH
 5C + 5 V 6B(02)
 6C TADR3
 7C TADRO
 8C ITRES
 9C TDAT7
 10C TDAT5
 11C TDAT3
 12C TDAT1
 13C 3SMEN7
 14C 3SMEN5
 15C 3SMEN3
 16C 3SMEN1
 17C 3S7
 18C 3S5
 19C 3S3
 20C 3S1
 21C 3CH4
 22C 3CH2
 23C 3LD1
 24C 3D0
 25C 3D2
 26C 3D4
 27C 3D6
 28C
 29C SYNC
 30C + 5 V 6B(02)
 31C OSTABIN
 32C OSTABIN

 ./.

 * STUDER REVOX AG * L O C A T I O N P I N L I S T * 91/02/19 * 11:24 * P A G E 262 *

 * 1.862.010.00 D820-48 PCM TAPE - RECORDER * 90/03/21 - 00 *

 ASY 6B 1.862.000.00 DISPLAY-PANEL A-GR.1, 2, 3, 4 <-- <-- <-- CONTINUATION

GRP 2
 <-- <-- <-- CONTINUATION
 =====
 ELM 11A 1.862.813.00
 DP CHANNEL KEYS + LEV A-GR.1

 PNT SIGNAL NAME COLOR LV TYPE F

 1A OSTABIN
 2A OSTABIN
 3A OSTABIN
 4A
 5A + 5 V 6B(02)
 6A + 5 V 6B(02)
 7A
 8A
 9A
 10A
 11A
 12A
 13A
 14A
 15A 3SMEN2
 16A 3SMENO
 17A 3S6
 18A 3S4
 19A 3S2
 20A 3S0
 21A 3CH3
 22A 3CH1
 23A 3LWR
 24A 3D1
 25A 3D3
 26A 3D5
 27A 3D7
 28A + 5 V 6B(02)
 29A + 5 V 6B(02)
 30A OSTABIN
 31A OSTABIN
 32A OSTABIN

 ./.

GRP 2
 <-- <-- <-- CONTINUATION
 =====
 ELM 11B 1.862.813.00
 DP CHANNEL KEYS + LEV A-GR.1

 PNT SIGNAL NAME COLOR LV TYPE F

 1B OSTABIN
 2B OSTABIN
 3B OSTABIN
 4B
 5B + 5 V 6B(02)
 6B + 5 V 6B(02)
 7B
 8B
 9B
 10B
 11B
 12B
 13B
 14B
 15B
 16B
 17B
 18B
 19B
 20B
 21B
 22B
 23B
 24B
 25B
 26B
 27B
 28B + 5 V 6B(02)
 29B + 5 V 6B(02)
 30B OSTABIN
 31B OSTABIN
 32B OSTABIN

 ./.

GRP 2
 <-- <-- <-- CONTINUATION
 =====
 ELM 11C 1.862.813.00
 DP CHANNEL KEYS + LEV A-GR.1

 PNT SIGNAL NAME COLOR LV TYPE F

 1C OSTABIN
 2C OSTABIN
 3C OSTABIN
 4C
 5C + 5 V 6B(02)
 6C + 5 V 6B(02)
 7C
 8C
 9C
 10C
 11C
 12C
 13C
 14C
 15C
 16C 3SMEN1
 17C 3S7
 18C 3S5
 19C 3S3
 20C 3S1
 21C 3CH4
 22C 3CH2
 23C 3LD1
 24C 3D0
 25C 3D2
 26C 3D4
 27C 3D6
 28C + 5 V 6B(02)
 29C + 5 V 6B(02)
 30C OSTABIN
 31C OSTABIN
 32C OSTABIN

 ./.

STUDER D820 MCH

 * STUDER REVOX AG * L O C A T I O N P I N L I S T * 91/02/19 * 11:24 * P A G E 263 *

 * 1.862.010.00 D820-48 PCM TAPE - RECORDER * 90/03/21 - 00 *

 ASY 6B 1.862.000.00 DISPLAY-PANEL A-GR.1, 2, 3, 4 <-- <-- <-- CONTINUATION

GRP 2 <-- <-- <-- CONTINUATION
 =====
 ELM 12A 1.862.813.00
 DP CHANNEL KEYS + LEV A-GR.2
 PNT SIGNAL NAME COLOR LV TYPE F

 1A OSTABIN
 2A OSTABIN
 3A OSTABIN
 4A
 5A + 5 V 6B(02)
 6A + 5 V 6B(02)
 7A
 8A
 9A
 10A
 11A
 12A
 13A
 14A
 15A 3SMEN6
 16A 3SMEN4
 17A 3S6
 18A 3S4
 19A 3S2
 20A 3S0
 21A 3CH7
 22A 3CH5
 23A 3LWR
 24A 3D1
 25A 3D3
 26A 3D5
 27A 3D7
 28A + 5 V 6B(02)
 29A + 5 V 6B(02)
 30A OSTABIN
 31A OSTABIN
 32A OSTABIN

 ./.

GRP 2 <-- <-- <-- CONTINUATION
 =====
 ELM 12B 1.862.813.00
 DP CHANNEL KEYS + LEV A-GR.2
 PNT SIGNAL NAME COLOR LV TYPE F

 1B OSTABIN
 2B OSTABIN
 3B OSTABIN
 4B
 5B + 5 V 6B(02)
 6B + 5 V 6B(02)
 7B
 8B
 9B
 10B
 11B
 12B
 13B
 14B
 15B
 16B
 17B
 18B
 19B
 20B
 21B
 22B
 23B
 24B
 25B
 26B
 27B
 28B + 5 V 6B(02)
 29B + 5 V 6B(02)
 30B OSTABIN
 31B OSTABIN
 32B OSTABIN

 ./.

GRP 2 <-- <-- <-- CONTINUATION
 =====
 ELM 12C 1.862.813.00
 DP CHANNEL KEYS + LEV A-GR.2
 PNT SIGNAL NAME COLOR LV TYPE F

 1C OSTABIN
 2C OSTABIN
 3C OSTABIN
 4C
 5C + 5 V 6B(02)
 6C + 5 V 6B(02)
 7C
 8C
 9C
 10C
 11C
 12C
 13C
 14C
 15C
 16C 3SMEN5
 17C 3S7
 18C 3S5
 19C 3S3
 20C 3S1
 21C 3CH8
 22C 3CH6
 23C 3LD2
 24C 3D0
 25C 3D2
 26C 3D4
 27C 3D6
 28C + 5 V 6B(02)
 29C + 5 V 6B(02)
 30C OSTABIN
 31C OSTABIN
 32C OSTABIN

 ./.

 * STUDER REVOX AG * L O C A T I O N P I N L I S T * 91/02/19 * 11:24 * P A G E 264 *

 * 1.862.010.00 D820-48 PCM TAPE - RECORDER * 90/03/21 - 00 *

 ASY 6B 1.862.000.00 DISPLAY-PANEL A-GR.1, 2, 3, 4 <-- <-- <-- CONTINUATION

GRP 3 CONNECTORS
 =====
 ELM 1 BACKPANEL EXTENSION CONNECTION
 PNT SIGNAL NAME COLOR LV TYPE F

 1 SYNC
 2 SYNC
 3 OSTABIN
 4 OSTABIN
 5 +STABINH
 6 +STABINH
 7 OSTABIN
 8 OSTABIN
 9
 10
 11 TADR3
 12 TADR2
 13 TADR1
 14 TADRO
 15 TRW
 16 ITRES
 17 ITEN
 18 TDAT7
 19 TDAT6
 20 TDAT5
 21 TDAT4
 22 TDAT3
 23 TDAT2
 24 TDAT1
 25 TDATO
 26 OSTABIN
 27 T3SEL
 28 OSTABIN
 29 T3IRQ
 30 OSTABIN
 31 T2SEL
 32 OSTABIN
 33 T2IRQ
 34 OSTABIN
 35 OSTABIN
 36 OSTABIN
 37 OSTABIN
 38 OSTABIN
 39 OSTABIN
 40 OSTABIN

 ./.

GRP 4 BUS TERMINATION
 =====
 ELM 1 57.88.4332
 Z 1 8 * 3.3 K
 PNT SIGNAL NAME COLOR LV TYPE F

 1 + 5 V 6B(02)
 2 TDAT7
 3 ITEN
 4 ITRES
 5 TRW
 6 TADRO
 7 TADR1
 8 TADR2
 9 TADR3

 ELM 2
 Z 2 ** NOT USED **
 PNT SIGNAL NAME COLOR LV TYPE F

 1 OSTABIN
 2 TDAT7
 3 ITEN
 4 ITRES
 5 TRW
 6 TADRO
 7 TADR1
 8 TADR2
 9 TADR3

 ELM 3 57.88.4332
 Z 3 8 * 3.3 K
 PNT SIGNAL NAME COLOR LV TYPE F

 1 + 5 V 6B(02)
 2
 3 TDATO
 4 TDAT1
 5 TDAT2
 6 TDAT3
 7 TDAT4
 8 TDAT5
 9 TDAT6

 ./.

GRP 4 <-- <-- <-- CONTINUATION
 =====
 ELM 4
 Z 4 ** NOT USED **
 PNT SIGNAL NAME COLOR LV TYPE F

 1 OSTABIN
 2
 3 TDATO
 4 TDAT1
 5 TDAT2
 6 TDAT3
 7 TDAT4
 8 TDAT5
 9 TDAT6

 ELM 5
 R 5 ** NOT USED **
 PNT SIGNAL NAME COLOR LV TYPE F

 1 + 5 V 6B(01)
 2 T3SEL

 ELM 6
 R 6 ** NOT USED **
 PNT SIGNAL NAME COLOR LV TYPE F

 1 OSTABIN
 2 T3SEL

 ELM 7
 R 7 ** NOT USED **
 PNT SIGNAL NAME COLOR LV TYPE F

 1 + 5 V 6B(02)
 2 T2SEL

 ELM 8
 R 8 ** NOT USED **
 PNT SIGNAL NAME COLOR LV TYPE F

 1 OSTABIN
 2 T2SEL

 ./.

 * STUDER REVOX AG * L O C A T I O N P I N L I S T * 91/02/19 * 11:24 * P A G E 265 *

 * 1.862.010.00 D820-48 PCM TAPE - RECORDER * 90/03/21 - 00 *

 ASY 7 1.862.620.00 POWER SUPPLY MCH PCM

GRP 1 1.862.635.00
 MAINS SWITCH ASSEMBLY

ELM 1 54.42.0026
 POWER LINE INPUT

PNT SIGNAL NAME	COLOR	LV	TYPE	F
1	LINE1			
2	LINE2			
3	GND			

ELM 2 54.33.6007
 GROUND

PNT SIGNAL NAME	COLOR	LV	TYPE	F
1	GND			
2	GND			
3	GND			
4				
5				
6				

ELM 3 55.17.5003
 POWER SWITCH

PNT SIGNAL NAME	COLOR	LV	TYPE	F
1	LINE1			
2	LINE1-S			
3	LINE2			
4	LINE2-S			

ELM 4 CONTROL LAMP (POWER SWITCH)

PNT SIGNAL NAME	COLOR	LV	TYPE	F
1	CTR-L1			
2	CTR-L2			

ELM 5 54.42.1055
 POWER SUPPLY INPUT

PNT SIGNAL NAME	COLOR	LV	TYPE	F
1	LINE1-S			
2	LINE2-S			
3	GND			

GRP 2 54.42.0026
 POWER INPUT

ELM 1 54.42.0026
 LINE INPUT

PNT SIGNAL NAME	COLOR	LV	TYPE	F
1	LINE1-S			
2	LINE2-S			
3	GND			

ELM 2 54.33.6007
 GROUND

PNT SIGNAL NAME	COLOR	LV	TYPE	F
1	GND			
2				
3				
4				
5				
6				

GRP 3 1.820.830.00
 SOFT START UNIT

ELM 1 50.25.0003
 LINE INPUT

PNT SIGNAL NAME	COLOR	LV	TYPE	F
1	LINE1-S			
2	RESERVE			
3	LINE2-S			

ELM 2 50.25.0003
 LINE AUXILIARY

PNT SIGNAL NAME	COLOR	LV	TYPE	F
1	LINE1-S			
2	RESERVE			
3	LINE2-S			

ELM 3 50.25.0003
 LINE OUTPUT

PNT SIGNAL NAME	COLOR	LV	TYPE	F
1	LINE1-S			
2	RESERVE			
3	LINE2-S			

ELM 4 TO POWER FAIL CONTROL CONNECTOR

PNT SIGNAL NAME	COLOR	LV	TYPE	F
1	OSTABIN			
2	OSTABIN			
3				
4				
5				
6				
7				
8				
9	T-PWRON			
10				

 * STUDER REVOX AG * L O C A T I O N P I N L I S T * 91/02/19 * 11:24 * P A G E 266 *

 * 1.862.010.00 D820-48 PCM TAPE - RECORDER * 90/03/21 - 00 *

 ASY 7 1.862.620.00 POWER SUPPLY MCH PCM

GRP 3 1.820.830.00
 <-- <-- <-- CONTINUATION

ELM 5 54.25.0308
 AC CONTROL CONNECTOR

PNT SIGNAL NAME	COLOR	LV	TYPE	F
1	+STABIN	2	BX	
2	OSTABIN	0	BX	
3				
4				
5	T-PWRON	5	BX	
6				
7	+STABIN1	2	BX	
8	+STABIN1	2	BX	

GRP 4 1.862.625.00
 MAINS TRANSFORMER

ELM 1 PRIMARY DISTRIBUTOR

PNT SIGNAL NAME	COLOR	LV	TYPE	F
1A				
1B	LINE2-S			
1C	LINE2-S			
1D				
2A				
2B				
3A	BR1			
3B				
3C				
3D				
4A	BR1			
4B				
4C				
4D				
5A				
5B				
6A	BR2			
6B				
6C				
6D				
7A	BR2			
7B				
7C				
7D				
8A	BR3			
8B				
8C				
8D				
9A	BR3			
9B	LINE1-S			
9C	LINE1-S			
9D				

GRP 4 1.862.625.00
 <-- <-- <-- CONTINUATION

ELM 2 SECONDARY DISTRIBUTOR

PNT SIGNAL NAME	COLOR	LV	TYPE	F
1A	SHIELD1			
1B				
2A	AC4-R1			
2B				
2C				
2D				
3A	AC4-R2			
3B				
3C				
3D				
4A	AC4-R3			
4B				
4C				
4D				
5A	AC4-R4			
5B				
5C				
5D				
6A	SHIELD2			
6B				

STUDER D820 MCH

```
*****
*   STUDER REVOX AG *   L O C A T I O N   P I N   L I S T   * 91/02/19 * 11:24 * P A G E 267 *
*****
*   1.862.010.00 D820-48 PCM TAPE - RECORDER * 90/03/21 - 00 *
*****
ASY 7 1.862.620.00 POWER SUPPLY MCH PCM <-- <-- <-- CONTINUATION
```

```
GRP 5 1.862.625.00
MAINS TRANSFORMER
=====
```

```
ELM 1
PRIMARY DISTRIBUTOR
-----
```

PNT	SIGNAL NAME	COLOR	LV TYPE	F
1A				
1B	LINE2-S			
1C	LINE2-S			
1D				
2A				
2B				
3A	BR1			
3B				
3C				
3D				
4A	BR1			
4B				
4C				
4D				
5A				
5B				
6A	BR2			
6B				
6C				
6D				
7A	BR2			
7B				
7C				
7D				
8A	BR3			
8B				
8C				
8D				
9A	BR3			
9B	LINE1-S			
9C	LINE1-S			
9D				

```
GRP 5 1.862.625.00
<-- <-- <-- CONTINUATION
=====
```

```
ELM 2
SECONDARY DISTRIBUTOR
-----
```

PNT	SIGNAL NAME	COLOR	LV TYPE	F
1A	SHIELD1			
1B				
2A	AC5-R1			
2B				
2C				
2D				
3A	AC5-R2			
3B				
3C				
3D				
4A	AC5-R3			
4B				
4C				
4D				
5A	AC5-R5			
5B				
5C				
5D				
6A	SHIELD2			
6B				

```
GRP 6 1.862.625.00
MAINS TRANSFORMER
=====
```

```
ELM 1
PRIMARY DISTRIBUTOR
-----
```

PNT	SIGNAL NAME	COLOR	LV TYPE	F
1A				
1B	LINE2-S			
1C	LINE2-S			
1D				
2A				
2B				
3A	BR1			
3B				
3C				
3D				
4A	BR1			
4B				
4C				
4D				
5A				
5B				
6A	BR2			
6B				
6C				
6D				
7A	BR2			
7B				
7C				
7D				
8A	BR3			
8B				
8C				
8D				
9A	BR3			
9B	LINE1-S			
9C	LINE1-S			
9D				

```
*****
*   STUDER REVOX AG *   L O C A T I O N   P I N   L I S T   * 91/02/19 * 11:24 * P A G E 268 *
*****
*   1.862.010.00 D820-48 PCM TAPE - RECORDER * 90/03/21 - 00 *
*****
ASY 7 1.862.620.00 POWER SUPPLY MCH PCM <-- <-- <-- CONTINUATION
```

```
GRP 6 1.862.625.00
<-- <-- <-- CONTINUATION
=====
```

```
ELM 2
SECONDARY DISTRIBUTOR
-----
```

PNT	SIGNAL NAME	COLOR	LV TYPE	F
1A	SHIELD1			
1B				
2A	AC6-R1			
2B				
2C				
2D				
3A	AC6-R2			
3B				
3C				
3D				
4A	AC6-R3			
4B				
4C				
4D				
5A	AC6-R4			
5B				
5C				
5D				
6A	SHIELD2			
6B				

```
GRP 7 1.862.625.00
MAINS TRANSFORMER
=====
```

```
ELM 1
PRIMARY DISTRIBUTOR
-----
```

PNT	SIGNAL NAME	COLOR	LV TYPE	F
1A				
1B	LINE2-S			
1C	LINE2-S			
1D				
2A				
2B				
3A	BR1			
3B				
3C				
3D				
4A	BR1			
4B				
4C				
4D				
5A				
5B				
6A	BR2			
6B				
6C				
6D				
7A	BR2			
7B				
7C				
7D				
8A	BR3			
8B				
8C				
8D				
9A	BR3			
9B	LINE1-S			
9C	LINE1-S			
9D				

```
GRP 7 1.862.625.00
<-- <-- <-- CONTINUATION
=====
```

```
ELM 2
SECONDARY DISTRIBUTOR
-----
```

PNT	SIGNAL NAME	COLOR	LV TYPE	F
1A	SHIELD1			
1B				
2A	AC7-R1			
2B				
2C				
2D				
3A	AC7-R2			
3B				
3C				
3D				
4A	AC7-R3			
4B				
4C				
4D				
5A	AC7-R4			
5B				
5C				
5D				
6A	SHIELD2			
6B				

 * STUDER REVOX AG * L O C A T I O N P I N L I S T * 91/02/19 * 11:24 * PAGE 269 *

 * 1.862.010.00 D820-48 PCM TAPE - RECORDER * 90/03/21 - 00 *

 ASY 7 1.862.620.00 POWER SUPPLY MCH PCM <-- <-- <-- CONTINUATION

GRP 8 1.862.625.00
 MAINS TRANSFORMER
 =====
 ELM 1 70.01.0232
 PRIMARY DISTRIBUTOR

 PNT SIGNAL NAME COLOR LV TYPE F

 1A
 1B LINE2-S
 1C LINE2-S
 1D
 2A
 2B
 3A BR1
 3B
 3C
 3D
 4A BR1
 4B
 4C
 4D
 5A
 5B
 6A BR2
 6B
 6C
 6D
 7A BR2
 7B
 7C
 7D
 8A BR3
 8B
 8C
 8D
 9A BR3
 9B LINE1-S
 9C LINE1-S
 9D

 ./.

GRP 8 1.862.625.00
 <-- <-- <-- CONTINUATION
 =====
 ELM 2 70.01.0232
 SECONDARY DISTRIBUTOR

 PNT SIGNAL NAME COLOR LV TYPE F

 1A SHIELD1
 1B
 2A AC8-R1
 2B
 2C
 2D
 3A AC8-R2
 3B
 3C
 3D
 4A AC8-R3
 4B
 4C
 4D
 5A AC8-R3
 5B
 5C
 5D
 6A SHIELD2
 6B

 ./.

GRP 9 70.01.0232
 RECTIFIERS 10 * 200V / 35A
 =====
 ELM 1 70.01.0232
 RECTIFIER

 PNT SIGNAL NAME COLOR LV TYPE F

 1 AC4-R1
 2 AC4-R2
 3 DC4-R1
 4 DC4-R2

 ELM 2 70.01.0232
 RECTIFIER

 PNT SIGNAL NAME COLOR LV TYPE F

 1 AC4-R3
 2 AC4-R4
 3 DC4-R3
 4 DC4-R4

 ELM 3 70.01.0232
 RECTIFIER

 PNT SIGNAL NAME COLOR LV TYPE F

 1 AC5-R1
 2 AC5-R2
 3 DC5-R1
 4 DC5-R2

 ELM 4 70.01.0232
 RECTIFIER

 PNT SIGNAL NAME COLOR LV TYPE F

 1 AC5-R3
 2 AC5-R4
 3 DC5-R3
 4 DC5-R4

 ./.

 * STUDER REVOX AG * L O C A T I O N P I N L I S T * 91/02/19 * 11:24 * PAGE 270 *

 * 1.862.010.00 D820-48 PCM TAPE - RECORDER * 90/03/21 - 00 *

 ASY 7 1.862.620.00 POWER SUPPLY MCH PCM <-- <-- <-- CONTINUATION

GRP 9 70.01.0232
 <-- <-- <-- CONTINUATION
 =====
 ELM 5 70.01.0232
 RECTIFIER

 PNT SIGNAL NAME COLOR LV TYPE F

 1 AC6-R1
 2 AC6-R2
 3 DC6-R1
 4 DC6-R2

 ELM 6 70.01.0232
 RECTIFIER

 PNT SIGNAL NAME COLOR LV TYPE F

 1 AC6-R3
 2 AC6-R4
 3 DC6-R3
 4 DC6-R4

 ELM 7 70.01.0232
 RECTIFIER

 PNT SIGNAL NAME COLOR LV TYPE F

 1 AC7-R1
 2 AC7-R2
 3 DC7-R1
 6 DC7-R2

 ELM 8 70.01.0232
 RECTIFIER

 PNT SIGNAL NAME COLOR LV TYPE F

 1 AC7-R3
 2 AC7-R4
 3 DC7-R3
 4 DC7-R4

 ./.

GRP 9 70.01.0232
 <-- <-- <-- CONTINUATION
 =====
 ELM 9 70.01.0232
 RECTIFIER

 PNT SIGNAL NAME COLOR LV TYPE F

 1 AC8-R1
 2 AC8-R2
 3 DC8-R1
 4 DC8-R2

 ELM 10 70.01.0232
 RECTIFIER

 PNT SIGNAL NAME COLOR LV TYPE F

 1 AC8-R3
 2 AC8-R4
 3 DC8-R3
 4 DC8-R4

 ./.

GRP 10 59.07.0004
 CAPACITORS 4 * 68000 UF / 63V
 =====
 ELM 1 59.07.0004
 CAPACITOR

 PNT SIGNAL NAME COLOR LV TYPE F

 1 +STABIN
 2 OSTABIN

 ELM 2 59.07.0004
 CAPACITOR

 PNT SIGNAL NAME COLOR LV TYPE F

 1 +STABIN
 2 OSTABIN

 ELM 3 59.07.0004
 CAPACITOR

 PNT SIGNAL NAME COLOR LV TYPE F

 1 +STABIN
 2 OSTABIN

 ELM 4 59.07.0004
 CAPACITOR

 PNT SIGNAL NAME COLOR LV TYPE F

 1 +STABIN
 2 OSTABIN

 ELM 5 54.25.0308
 AC CONTROL CONNECTOR

 PNT SIGNAL NAME COLOR LV TYPE F

 1 +STABIN 2 BX
 2 OSTABIN 0 BX
 3
 4
 5 T-PWRON 5 BX
 6
 7 +STABIN1 2 BX
 8 +STABIN1 2 BX

 ./.

STUDER D820 MCH

 * STUDER REVOX AG * L O C A T I O N P I N L I S T * 91/02/19 * 11:24 * P A G E 271 *

 * 1.862.010.00 D820-48 PCM TAPE - RECORDER * 90/03/21 - 00 *

 ASY 7 1.862.620.00 POWER SUPPLY MCH PCM <-- <-- <-- CONTINUATION

GRP 10 59.07.0004
 <-- <-- <-- CONTINUATION
 =====
 ELM 6 57.59.4152
 RESISTOR 1.5 K / 7 M

 PNT SIGNAL NAME COLOR LV TYPE F

 1 +STABIN L
 2 OSTABIN L

 ELM 7 57.59.4152
 RESISTOR 1.5 K / 7 M

 PNT SIGNAL NAME COLOR LV TYPE F

 1 +STABIN L
 2 OSTABIN L

GRP 11 53.03.0121
 FUSE HOLDERS
 =====
 ELM 1 53.03.0121
 FUSE HOLDER / FUSE 16AT SLOW.B. F1

 PNT SIGNAL NAME COLOR LV TYPE F

 1 +STABIN
 2 +STABIN1

 ELM 2 53.03.0121
 FUSE HOLDER / FUSE 16AT SLOW.B. F2

 PNT SIGNAL NAME COLOR LV TYPE F

 1 +STABIN
 2 +STABIN2

 ELM 3 53.03.0121
 FUSE HOLDER / FUSE 16AT SLOW.B. F3

 PNT SIGNAL NAME COLOR LV TYPE F

 1 +STABIN
 2 +STABIN3

 ELM 4 53.03.0110
 FUSE HOLDER / FUSE 6.3AT SLOW.B. F4

 PNT SIGNAL NAME COLOR LV TYPE F

 1 +STABIN
 2 +STABINA

 ELM 5 53.03.0110
 FUSE HOLDER / FUSE 6.3AT SLOW.B. F5

 PNT SIGNAL NAME COLOR LV TYPE F

 1 +STABIN
 2 +STABINB

 ELM 6 53.03.0110
 FUSE HOLDER / FUSE 6.3AT SLOW.B. F6

 PNT SIGNAL NAME COLOR LV TYPE F

 1 +STABIN
 2 +STABINC

GRP 11 53.03.0121
 <-- <-- <-- CONTINUATION
 =====
 ELM 7 53.03.0110
 FUSE HOLDER / FUSE 6.3AT SLOW.B. F7

 PNT SIGNAL NAME COLOR LV TYPE F

 1 +STABIN
 2 +STABIND

 ELM 8 53.03.0110
 FUSE HOLDER / FUSE 6.3AT SLOW.B. F8

 PNT SIGNAL NAME COLOR LV TYPE F

 1 +STABIN
 2 +STABINE

 ELM 9 53.03.0110
 FUSE HOLDER / FUSE 6.3AT SLOW.B. F9

 PNT SIGNAL NAME COLOR LV TYPE F

 1 +STABIN
 2 +STABINF

 ELM 10 53.03.0110
 FUSE HOLDER / FUSE 6.3AT SLOW.B. F10

 PNT SIGNAL NAME COLOR LV TYPE F

 1 +STABIN
 2 +STABING

 ELM 11 53.03.0110
 FUSE HOLDER / FUSE 6.3AT SLOW.B. F11

 PNT SIGNAL NAME COLOR LV TYPE F

 1 +STABIN
 2 +STABINH

./.

```
*****
*   STUDER REVOX AG *   L O C A T I O N   P I N   L I S T   * 91/02/19 * 11:24 * P A G E 272 *
*****
*   1.862.010.00 D820-48 PCM TAPE - RECORDER * 90/03/21 - 00 *
*****
ASY 7 1.862.620.00 POWER SUPPLY MCH PCM <-- <-- <-- CONTINUATION
```

GRP 12
OUTPUT CONNECTORS

ELM 1 54.25.0308
DC OUTPUT TO TAPE DECK

PNT	SIGNAL NAME	COLOR	LV	TYPE	F
1	+STABIN1	2		BX	
2	OSTABIN	0		BX	
3	+STABIN2	2		BX	
4	OSTABIN	0		BX	
5	+STABIN3	2		BX	
6	OSTABIN	0		BX	
7	T-PWRON	5		BX	
8					

ELM 2 54.25.0302
DC OUTPUT TO 18V CONVERTER NEG

PNT	SIGNAL NAME	COLOR	LV	TYPE	F
1	+STABINA			BX	
2	OSTABIN			BX	

ELM 3 54.25.0302
DC OUTPUT TO 5V CONVERTER 3B

PNT	SIGNAL NAME	COLOR	LV	TYPE	F
1	+STABINB			BX	
2	OSTABIN			BX	

ELM 4 54.25.0302
DC OUTPUT TO 5V CONVERTER 3A

PNT	SIGNAL NAME	COLOR	LV	TYPE	F
1	+STABINC			BX	
2	OSTABIN			BX	

ELM 5 54.25.0302
DC OUTPUT TO 18V CONVERTER POS

PNT	SIGNAL NAME	COLOR	LV	TYPE	F
1	+STABIND			BX	
2	OSTABIN			BX	

GRP 12 <-- <-- <-- CONTINUATION

ELM 6 54.25.0302
DC OUTPUT TO 5V CONVERTER 4B

PNT	SIGNAL NAME	COLOR	LV	TYPE	F
1	+STABINE			BX	
2	OSTABIN			BX	

ELM 7 54.25.0302
DC OUTPUT TO 5V CONVERTER 4A

PNT	SIGNAL NAME	COLOR	LV	TYPE	F
1	+STABINF			BX	
2	OSTABIN			BX	

ELM 8 54.25.0302
DC OUTPUT TO REMOTE

PNT	SIGNAL NAME	COLOR	LV	TYPE	F
1	+STABING			BX	
2	OSTABIN			BX	

ELM 9 54.25.0302
DC OUTPUT TO DISPLAY PANEL

PNT	SIGNAL NAME	COLOR	LV	TYPE	F
1	+STABINH			BX	
2	OSTABIN			BX	

ELM 10
POWER FAIL CONTROL CONNECTOR

PNT	SIGNAL NAME	COLOR	LV	TYPE	F
1	OSTABIN				
2	OSTABIN				
3					
4					
5					
6					
7					
8					
9	T-PWRON				
10					

 * STUDER REVOX AG * S I G N A L W I R E L I S T * 91/02/19 * 11:24 * P A G E 273 *

 * 1.862.010.00 D820-48 PCM TAPE - RECORDER * 90/03/21 - 00 *

SIGNAL NAME	COLOR	MI	ASY	GRP	ELM	PNT	S	LV	TYPE	DESCRIPTION OF ELEMENT	REMARK	ELEMENT NR.
+ 0.0			1	10	1	17A				EQUALIZER CH 1 TO CH 8	J01	1.862.721.00
			1	10	1	17B				EQUALIZER CH 1 TO CH 8	J01	1.862.721.00
			1	10	1	17C				EQUALIZER CH 1 TO CH 8	J01	1.862.721.00
			1	10	2	17A				EQUALIZER CH 9 TO CH 16	J02	1.862.721.00
			1	10	2	17B				EQUALIZER CH 9 TO CH 16	J02	1.862.721.00
			1	10	2	17C				EQUALIZER CH 9 TO CH 16	J02	1.862.721.00
			1	10	3	17A				EQUALIZER CH 17 TO CH 24	J03	1.862.721.00
			1	10	3	17B				EQUALIZER CH 17 TO CH 24	J03	1.862.721.00
			1	10	3	17C				EQUALIZER CH 17 TO CH 24	J03	1.862.721.00
			1	10	4	17A				EQUALIZER CH 25 TO CH 32	J04	1.862.721.00
			1	10	4	17B				EQUALIZER CH 25 TO CH 32	J04	1.862.721.00
			1	10	4	17C				EQUALIZER CH 25 TO CH 32	J04	1.862.721.00
			1	10	5	17A				EQUALIZER CH 33 TO CH 40	J05	1.862.721.00
			1	10	5	17B				EQUALIZER CH 33 TO CH 40	J05	1.862.721.00
			1	10	5	17C				EQUALIZER CH 33 TO CH 40	J05	1.862.721.00
			1	10	6	17A				EQUALIZER CH 41 TO CH 48	J06	1.862.721.00
			1	10	6	17B				EQUALIZER CH 41 TO CH 48	J06	1.862.721.00
			1	10	6	17C				EQUALIZER CH 41 TO CH 48	J06	1.862.721.00
			1	10	7	17A				READ UNIT RT/TC	J07	1.862.722.00
			1	10	7	17C				READ UNIT RT/TC	J07	1.862.722.00
			1	10	8	17A				READ UNIT CUE TRACKS	J08	1.862.723.00
			1	10	8	17C				READ UNIT CUE TRACKS	J08	1.862.723.00
			1	10	8	30A				READ UNIT CUE TRACKS	J08	1.862.723.00
			1	10	8	30C				READ UNIT CUE TRACKS	J08	1.862.723.00
			1	10	31	2			BX	SUPPLY CONNECTOR	J31	54.25.0005
			1	10	31	4			BX	SUPPLY CONNECTOR	J31	54.25.0005
			1	15	21	2			BX	SUPPLY CONNECTOR	P21	54.25.0004
			1	16	1	2			BX	FROM GRP 35, ELM 64	P01	54.25.0004
			1	16	1	4			BX	FROM GRP 35, ELM 64	P01	54.25.0004
			1	16	2	2			BX	TO GRP 15, ELM 21	P02	54.25.0004
			1	19	1	17A				RESERVE	J01	
			1	19	1	17B				RESERVE	J01	
			1	19	2	17A				RESERVE	J02	
			1	19	2	17B				RESERVE	J02	
			1	19	3	17A				REPRODUCE CONTROLLER	J03	1.862.720.00
			1	19	3	17B				REPRODUCE CONTROLLER	J03	1.862.720.00
			1	19	4	17A				RECORD CONTROLLER	J04	1.862.718.00
			1	19	4	17B				RECORD CONTROLLER	J04	1.862.718.00
			1	19	5	17A				ERASE CURRENT DRIVER	J05	1.862.717.00
			1	19	5	17B				ERASE CURRENT DRIVER	J05	1.862.717.00
			1	19	6	11B				CURRENT DRIVER (RT,TC,CUE 1/2)	J06	1.862.716.00
			1	19	6	17A				CURRENT DRIVER (RT,TC,CUE 1/2)	J06	1.862.716.00
			1	19	6	17B				CURRENT DRIVER (RT,TC,CUE 1/2)	J06	1.862.716.00
			1	19	7	11A				RECORD CURRENT SUPPLY (+VREC)	J07	1.862.719.00
			1	19	7	11B				RECORD CURRENT SUPPLY (+VREC)	J07	1.862.719.00
			1	19	7	11C				RECORD CURRENT SUPPLY (+VREC)	J07	1.862.719.00
			1	19	7	14A				RECORD CURRENT SUPPLY (+VREC)	J07	1.862.719.00
			1	19	7	14B				RECORD CURRENT SUPPLY (+VREC)	J07	1.862.719.00
			1	19	7	14C				RECORD CURRENT SUPPLY (+VREC)	J07	1.862.719.00
			1	19	7	17A				RECORD CURRENT SUPPLY (+VREC)	J07	1.862.719.00
			1	19	7	17B				RECORD CURRENT SUPPLY (+VREC)	J07	1.862.719.00
			1	19	7	17C				RECORD CURRENT SUPPLY (+VREC)	J07	1.862.719.00
			1	19	8	10A				RECORD CURRENT SUPPLY (-VREC)	J08	1.862.719.00
			1	19	8	10B				RECORD CURRENT SUPPLY (-VREC)	J08	1.862.719.00

./.

STUDER D820 MCH

 * STUDER REVOX AG * S I G N A L W I R E L I S T * 91/02/19 * 11:24 * P A G E 274 *

 * 1.862.010.00 D820-48 PCM TAPE - RECORDER * 90/03/21 - 00 *

SIGNAL NAME	COLOR	MI	ASY	GRP	ELM	PNT	S	LV	TYPE	DESCRIPTION OF ELEMENT	REMARK	ELEMENT NR.
<<-- CONT.OF			1	19	8	10C				RECORD CURRENT SUPPLY (-VREC)	J08	1.862.719.00
+ 0.0			1	19	8	13A				RECORD CURRENT SUPPLY (-VREC)	J08	1.862.719.00
			1	19	8	13B				RECORD CURRENT SUPPLY (-VREC)	J08	1.862.719.00
			1	19	8	13C				RECORD CURRENT SUPPLY (-VREC)	J08	1.862.719.00
			1	19	8	17A				RECORD CURRENT SUPPLY (-VREC)	J08	1.862.719.00
			1	19	8	17B				RECORD CURRENT SUPPLY (-VREC)	J08	1.862.719.00
			1	19	8	17C				RECORD CURRENT SUPPLY (-VREC)	J08	1.862.719.00
			1	19	9	17A				RECORD CURRENT DRIVER CH 1.8	J09	1.862.716.00
			1	19	9	17B				RECORD CURRENT DRIVER CH 1.8	J09	1.862.716.00
			1	19	10	17A				RECORD CURRENT DRIVER CH 9.16	J10	1.862.716.00
			1	19	10	17B				RECORD CURRENT DRIVER CH 9.16	J10	1.862.716.00
			1	19	11	17A				RECORD CURRENT DRIVER CH 17.24	J11	1.862.716.00
			1	19	11	17B				RECORD CURRENT DRIVER CH 17.24	J11	1.862.716.00
			1	19	12	17A				RECORD CURRENT DRIVER CH 25.32	J12	1.862.716.00
			1	19	12	17B				RECORD CURRENT DRIVER CH 25.32	J12	1.862.716.00
			1	19	13	17A				RECORD CURRENT DRIVER CH 33.40	J13	1.862.716.00
			1	19	13	17B				RECORD CURRENT DRIVER CH 33.40	J13	1.862.716.00
			1	19	14	17A				RECORD CURRENT DRIVER CH 41.48	J14	1.862.716.00
			1	19	14	17B				RECORD CURRENT DRIVER CH 41.48	J14	1.862.716.00
			1	19	32	9				SERBUS AUDIO CONTROL CONNECTOR	P32	54.14.2001
			1	19	32	10				SERBUS AUDIO CONTROL CONNECTOR	P32	54.14.2001
			1	19	39	25				RECORD CURRENT CH 1.8	P39	54.14.2003
			1	19	39	26				RECORD CURRENT CH 1.8	P39	54.14.2003
			1	19	40	25				RECORD CURRENT CH 9.16	P40	54.14.2003
			1	19	40	26				RECORD CURRENT CH 9.16	P40	54.14.2003
			1	19	41	25				RECORD CURRENT CH 17.24	P41	54.14.2003
			1	19	41	26				RECORD CURRENT CH 17.24	P41	54.14.2003
			1	19	42	25				RECORD CURRENT CH 25.32	P42	54.14.2003
			1	19	42	26				RECORD CURRENT CH 25.32	P42	54.14.2003
			1	19	43	25				RECORD CURRENT CH 33.40	P43	54.14.2003
			1	19	43	26				RECORD CURRENT CH 33.40	P43	54.14.2003
			1	19	44	25				RECORD CURRENT CH 41.48	P44	54.14.2003
			1	19	44	26				RECORD CURRENT CH 41.48	P44	54.14.2003
			1	19	45	9				CONNECTOR TO TAPE DECK BASIS B.	P45	54.14.2003
			1	19	45	10				CONNECTOR TO TAPE DECK BASIS B.	P45	54.14.2003
			1	19	45	11				CONNECTOR TO TAPE DECK BASIS B.	P45	54.14.2003
			1	19	45	12				CONNECTOR TO TAPE DECK BASIS B.	P45	54.14.2003
			1	20	15	17A				CONVERTER RS422/TTL	J15	1.862.715.00
			1	20	15	17B				CONVERTER RS422/TTL	J15	1.862.715.00
			1	20	16	3B				CAPSTAN PHASE CONTROL BOARD	J16	1.862.714.00
			1	20	16	4B				CAPSTAN PHASE CONTROL BOARD	J16	1.862.714.00
			1	20	16	5B				CAPSTAN PHASE CONTROL BOARD	J16	1.862.714.00
			1	20	16	6B				CAPSTAN PHASE CONTROL BOARD	J16	1.862.714.00
			1	20	16	7B				CAPSTAN PHASE CONTROL BOARD	J16	1.862.714.00
			1	20	16	17A				CAPSTAN PHASE CONTROL BOARD	J16	1.862.714.00
			1	20	16	17B				CAPSTAN PHASE CONTROL BOARD	J16	1.862.714.00
			1	20	17	21				CAPSTAN CONTROL UNIT	J17	1.820.764.00
			1	20	18	17A				CAPSTAN INTERFACE	J18	1.820.727.00
			1	20	18	17B				CAPSTAN INTERFACE	J18	1.820.727.00
			1	20	19	17A				TAPE DECK PERIPHERY CONTR.	J19	1.820.762.00
			1	20	19	17B				TAPE DECK PERIPHERY CONTR.	J19	1.820.762.00
			1	20	20	21				TAPE DECK COUNTER / TIMER	J20	1.820.823.00
			1	20	21	21				TAPE DECK SERIAL INTERFACE	J21	1.820.763.00
			1	20	22	21				MP-UNIT TD CONTROL MCH	J22	1.820.781.00

STUDER D820 MCH

 * STUDER REVOX AG * S I G N A L W I R E L I S T * 91/02/19 * 11:24 * PAGE 277 *

 * 1.862.010.00 D820-48 PCM TAPE - RECORDER * 90/03/21 - 00 *

SIGNAL NAME	COLOR	MI	ASY	GRP	ELM	PNT	S	LV	TYPE	DESCRIPTION OF ELEMENT	REMARK	ELEMENT NR.
<--- CONT.OF	0		1	35	1	20			L	WIRE FIELD		
+ 0.0	0		1	35	1	24			L	WIRE FIELD		
	0		1	35	1	25			L	WIRE FIELD		
	0		1	35	1	32			L	WIRE FIELD		
	0		1	35	1	36			L	WIRE FIELD		
	0		1	35	1	39			L	WIRE FIELD		
	0		1	35	1	40			L	WIRE FIELD		
	0		1	35	1	41			L	WIRE FIELD		
	0		1	35	1	42			L	WIRE FIELD		
	0		1	35	1	43			L	WIRE FIELD		
	0		1	35	1	44			L	WIRE FIELD		
	0		1	35	1	45			L	WIRE FIELD		
	0		1	35	1	46			L	WIRE FIELD		
	0		1	35	1	47			L	WIRE FIELD		
	0		1	35	1	48			L	WIRE FIELD		
	0		1	35	1	49			L	WIRE FIELD		
			1	35	1	50			L	WIRE FIELD		
			1	35	1	51			L	WIRE FIELD		
			1	35	1	52			L	WIRE FIELD		
			1	35	1	53			L	WIRE FIELD		
			1	35	1	54			L	WIRE FIELD		
			1	35	1	55			L	WIRE FIELD		
			1	35	20	1				TO GRP31, ELM01	P01	
			1	35	20	2				TO GRP31, ELM01	P01	
			1	35	21	1				TO GRP32, ELM01	P02	
			1	35	21	2				TO GRP32, ELM01	P02	
			1	35	22	3			BX	AUDIO RACK CH 1 TO 8	J01	
			1	35	22	4			BX	AUDIO RACK CH 1 TO 8	J01	
			1	35	23	3			BX	AUDIO RACK CH 9 TO 16	J02	
			1	35	23	4			BX	AUDIO RACK CH 9 TO 16	J02	
			1	35	24	3			BX	AUDIO RACK CH 17 TO 24	J03	
			1	35	24	4			BX	AUDIO RACK CH 17 TO 24	J03	
	0		1	35	50	1			AX	CONN. TO PRIMARY REC. AMPLIFIER	P50	54.25.0303
	0		1	35	51	1			AX	CONN. TO SYNC RECORD AMPLIFIER	P51	54.25.0303
	0		1	35	52	1			AX	TO SP. MOTOR DRIVE AMPL. RIGHT	P52	54.25.0304
	0		1	35	53	3			AX	FROM SW. STABILIZER +15.0/ -15.0	P53	54.25.0308
	0		1	35	53	4			AX	FROM SW. STABILIZER +15.0/ -15.0	P53	54.25.0308
	0		1	35	53	7			AX	FROM SW. STABILIZER +15.0/ -15.0	P53	54.25.0308
	0		1	35	55	1			AX	FROM SWITCHING STABILIZER +5.6	P55	54.25.0310
	0		1	35	55	4			AX	FROM SWITCHING STABILIZER +5.6	P55	54.25.0310
	0		1	35	55	7			AX	FROM SWITCHING STABILIZER +5.6	P55	54.25.0310
	0		1	35	55	8			AX	FROM SWITCHING STABILIZER +5.6	P55	54.25.0310
	0		1	35	57	1			AX	TO SP. MOTOR DRIVE AMPL. LEFT	P57	54.25.0304
	0		1	35	59	3			AX	CONN. TO BASIS BOARD TAPE DECK	P59	54.25.0310
	0		1	35	59	4			AX	CONN. TO BASIS BOARD TAPE DECK	P59	54.25.0310
	0		1	35	63	2			AX	TO BASIS BOARD EQUALIZER	P63	54.25.0305
	0		1	35	63	4			AX	TO BASIS BOARD EQUALIZER	P63	54.25.0305
	0		1	35	64	2			AX	TO PREAMPLIFIER SUPPLY	P64	54.25.0305
	0		1	35	64	4			AX	TO PREAMPLIFIER SUPPLY	P64	54.25.0305
	0		1	35	66	2			AX	FROM PREAMPLIFIER SUPPLY	P66	54.25.0304
	0		1	35	67	2			AX	TO PREAMPLIFIER	P67	54.25.0304
	0		1	35	69	2			AX	TO PREAMPLIFIER	P69	54.25.0304
	6		1	36	1	1				TACHO SENSOR	P..	1.820.771.00
			1	36	1	2				TACHO SENSOR	P..	1.820.771.00

 * STUDER REVOX AG * S I G N A L W I R E L I S T * 91/02/19 * 11:24 * P A G E 278 *

 * 1.862.010.00 D820-48 PCM TAPE - RECORDER * 90/03/21 - 00 *

SIGNAL NAME	COLOR	MI	ASY	GRP	ELM	PNT	S	LV	TYPE	DESCRIPTION OF ELEMENT	REMARK	ELEMENT NR.
<<-- CONT.OF			1	37	1	1				TACHO SENSOR	P01	1.820.771.00
+ 0.0			1	37	1	2				TACHO SENSOR	P01	1.820.771.00
			1	38	1	12			F	FROM GRP39, ELM02	J01	
			1	39	1	1				FROM GRP20, ELM56 (BASIS B. TD)	P01	
			1	39	1	2				FROM GRP20, ELM56 (BASIS B. TD)	P01	
			1	39	1	9				FROM GRP20, ELM56 (BASIS B. TD)	P01	
			1	39	1	16				FROM GRP20, ELM56 (BASIS B. TD)	P01	
			1	39	2	12			M	TO GRP38, ELM01 (CAPSTAN MOTOR)	P02	
			1	42	1	1				FROM GRP20, ELM65 (BASIS B. TD)	P01	
			1	42	1	2				FROM GRP20, ELM65 (BASIS B. TD)	P01	
			1	43	1	1				FROM GRP20, ELM64 (BASIS B. TD)	P01	
			1	43	1	2				FROM GRP20, ELM64 (BASIS B. TD)	P01	
			1	44	1	1				FROM GRP20, ELM57	P01	
			1	44	1	2				FROM GRP20, ELM57	P01	
			1	45	1	1				FROM GRP20, ELM61	P01	
			1	45	1	2				FROM GRP20, ELM61	P01	
			1	46	1	1				FROM GRP20, ELM59	P01	
			1	46	1	2				FROM GRP20, ELM59	P01	
			1	47	1	1				FROM GRP20, ELM58 (BASIS B. TD)	P01	
			1	47	1	2				FROM GRP20, ELM58 (BASIS B. TD)	P01	
			1	48	1	1				FROM GRP50, ELM03 (DISPLAY DRIVER)		
			1	48	1	2				FROM GRP50, ELM03 (DISPLAY DRIVER)		
			1	48	2	1				CONNECTOR EDIT ASSEMBLY		
			1	48	2	2				CONNECTOR EDIT ASSEMBLY		
			1	49	1	1				FROM GRP48, ELM02 (PUSHBUTTON BOARD)		
			1	49	1	2				FROM GRP48, ELM02 (PUSHBUTTON BOARD)		
			1	49	2	5				WIRE FIELD		
			1	50	1	1				DISPLAY DRIVER	P01	1.820.768.00
			1	50	1	2				DISPLAY DRIVER	P01	1.820.768.00
			1	50	1A	1				CIRCUIT DIAGRAM SIGNAL NAMES	P01	1.820.768.00
			1	50	1A	2				CIRCUIT DIAGRAM SIGNAL NAMES	P01	1.820.768.00
			1	51	1	1				FROM GRP50,ELM02 (DISPLAY DRIVER)		
			1	51	1	2				FROM GRP50,ELM02 (DISPLAY DRIVER)		
			1	52	1	1				FROM GRP50, ELM04 (DISPLAY DRIVER)		
			1	52	1	16				FROM GRP50, ELM04 (DISPLAY DRIVER)		
			1	59	1	11				FROM GRP20, ELM63 (BASIS B. TD)	P01	
			1	59	1	12				FROM GRP20, ELM63 (BASIS B. TD)	P01	
			1	60	1	1				FROM GR. 20 ELM 58	P01	
			1	60	1	2				FROM GR. 20 ELM 58	P01	
			1	60	2	1				FROM GR. 20 ELM 61	P02	
			1	60	2	2				FROM GR. 20 ELM 61	P02	
			1	60	3	1				FROM GR. 20 ELM 60	P03	
			1	60	3	2				FROM GR. 20 ELM 60	P03	
			1	60	4	1				FROM GR. 20 ELM 62	P04	
			1	60	4	2				FROM GR. 20 ELM 62	P04	
			1	60	5	1				TO TAPE LIFT MOTOR, RIGHT	P05	
			1	60	5	2				TO TAPE LIFT MOTOR, RIGHT	P05	
			1	60	6	1				TO MOVE SENSOR	P06	
			1	60	6	2				TO MOVE SENSOR	P06	
			1	60	7	1				TO TACHO SENSOR SP. MOTOR RIGHT	P07	
			1	60	7	2				TO TACHO SENSOR SP. MOTOR RIGHT	P07	
			1	60	8	1				TO TACHO SENSOR SP. MOTOR LEFT	P08	
			1	60	8	2				TO TACHO SENSOR SP. MOTOR LEFT	P08	
0			1	69	1	2				FAN UNIT		
0			1	74	1	1A				CONNECTION FAN		

STUDER D820 MCH

 * STUDER REVOX AG * S I G N A L W I R E L I S T * 91/02/19 * 11:24 * P A G E 279 *

 * 1.862.010.00 D820-48 PCM TAPE - RECORDER * 90/03/21 - 00 *

SIGNAL NAME	COLOR	MI	ASY	GRP	ELM	PNT	S	LV	TYPE	DESCRIPTION OF ELEMENT	REMARK	ELEMENT NR.
+ 5 V BI			5C	3	7	4				TC BIPHASE IN	SPOL XLR/F	
			5C	3	8	2				FUSE 0,1AT	5*20 MM	51.01.0107
+ 5 V 3A			3A	1	11A	31A				P01 MAPRO A-GR1 (CH 01-08)	BACKP.AS1	1.862.652.00
			3A	1	11A	32A				P01 MAPRO A-GR1 (CH 01-08)	BACKP.AS1	1.862.652.00
			3A	1	11B	31B				P01 MAPRO A-GR1 (CH 01-08)	BACKP.AS1	1.862.652.00
			3A	1	11B	32B				P01 MAPRO A-GR1 (CH 01-08)	BACKP.AS1	1.862.652.00
			3A	1	11C	31C				P01 MAPRO A-GR1 (CH 01-08)	BACKP.AS1	1.862.652.00
			3A	1	11C	32C				P01 MAPRO A-GR1 (CH 01-08)	BACKP.AS1	1.862.652.00
			3A	1	12A	31A				P02 MAPRO A-GR1 (CH 01-08)	BACKP.AS1	1.862.652.00
			3A	1	12A	32A				P02 MAPRO A-GR1 (CH 01-08)	BACKP.AS1	1.862.652.00
			3A	1	12B	31B				P02 MAPRO A-GR1 (CH 01-08)	BACKP.AS1	1.862.652.00
			3A	1	12B	32B				P02 MAPRO A-GR1 (CH 01-08)	BACKP.AS1	1.862.652.00
			3A	1	12C	31C				P02 MAPRO A-GR1 (CH 01-08)	BACKP.AS1	1.862.652.00
			3A	1	12C	32C				P02 MAPRO A-GR1 (CH 01-08)	BACKP.AS1	1.862.652.00
			3A	1	21A	31A				P01 DA A-GR1 (CH 01-08)	BACKP.AS1	1.862.651.00
			3A	1	21A	32A				P01 DA A-GR1 (CH 01-08)	BACKP.AS1	1.862.651.00
			3A	1	21B	31B				P01 DA A-GR1 (CH 01-08)	BACKP.AS1	1.862.651.00
			3A	1	21B	32B				P01 DA A-GR1 (CH 01-08)	BACKP.AS1	1.862.651.00
			3A	1	21C	31C				P01 DA A-GR1 (CH 01-08)	BACKP.AS1	1.862.651.00
			3A	1	21C	32C				P01 DA A-GR1 (CH 01-08)	BACKP.AS1	1.862.651.00
			3A	1	22A	31A				P02 DA A-GR1 (CH 01-08)	BACKP.AS1	1.862.651.00
			3A	1	22A	32A				P02 DA A-GR1 (CH 01-08)	BACKP.AS1	1.862.651.00
			3A	1	22B	31B				P02 DA A-GR1 (CH 01-08)	BACKP.AS1	1.862.651.00
			3A	1	22B	32B				P02 DA A-GR1 (CH 01-08)	BACKP.AS1	1.862.651.00
			3A	1	22C	31C				P02 DA A-GR1 (CH 01-08)	BACKP.AS1	1.862.651.00
			3A	1	22C	32C				P02 DA A-GR1 (CH 01-08)	BACKP.AS1	1.862.651.00
			3A	1	31A	31A				P01 IO A-GR1 (CH 01-08)	BACKP.AS1	1.862.653.00
			3A	1	31A	32A				P01 IO A-GR1 (CH 01-08)	BACKP.AS1	1.862.653.00
			3A	1	31B	31B				P01 IO A-GR1 (CH 01-08)	BACKP.AS1	1.862.653.00
			3A	1	31B	32B				P01 IO A-GR1 (CH 01-08)	BACKP.AS1	1.862.653.00
			3A	1	31C	31C				P01 IO A-GR1 (CH 01-08)	BACKP.AS1	1.862.653.00
			3A	1	31C	32C				P01 IO A-GR1 (CH 01-08)	BACKP.AS1	1.862.653.00
			3A	1	32A	31A				P02 IO A-GR1 (CH 01-08)	BACKP.AS1	1.862.653.00
			3A	1	32A	32A				P02 IO A-GR1 (CH 01-08)	BACKP.AS1	1.862.653.00
			3A	1	32B	31B				P02 IO A-GR1 (CH 01-08)	BACKP.AS1	1.862.653.00
			3A	1	32B	32B				P02 IO A-GR1 (CH 01-08)	BACKP.AS1	1.862.653.00
			3A	1	32C	31C				P02 IO A-GR1 (CH 01-08)	BACKP.AS1	1.862.653.00
			3A	1	32C	32C				P02 IO A-GR1 (CH 01-08)	BACKP.AS1	1.862.653.00
			3A	1	41A	31A				P01 AD A-GR1 (CH 01-08)	BACKP.AS1	1.862.650.00
			3A	1	41A	32A				P01 AD A-GR1 (CH 01-08)	BACKP.AS1	1.862.650.00
			3A	1	41B	31B				P01 AD A-GR1 (CH 01-08)	BACKP.AS1	1.862.650.00
			3A	1	41B	32B				P01 AD A-GR1 (CH 01-08)	BACKP.AS1	1.862.650.00
			3A	1	41C	31C				P01 AD A-GR1 (CH 01-08)	BACKP.AS1	1.862.650.00
			3A	1	41C	32C				P01 AD A-GR1 (CH 01-08)	BACKP.AS1	1.862.650.00
			3A	1	42A	31A				P02 AD A-GR1 (CH 01-08)	BACKP.AS1	1.862.650.00
			3A	1	42A	32A				P02 AD A-GR1 (CH 01-08)	BACKP.AS1	1.862.650.00
			3A	1	42B	31B				P02 AD A-GR1 (CH 01-08)	BACKP.AS1	1.862.650.00
			3A	1	42B	32B				P02 AD A-GR1 (CH 01-08)	BACKP.AS1	1.862.650.00
			3A	1	42C	31C				P02 AD A-GR1 (CH 01-08)	BACKP.AS1	1.862.650.00
			3A	1	42C	32C				P02 AD A-GR1 (CH 01-08)	BACKP.AS1	1.862.650.00
			3A	1S	11A	31A				P01 CUE MODEM	BACKP.AS1	1.862.661.00
			3A	1S	11A	32A				P01 CUE MODEM	BACKP.AS1	1.862.661.00
			3A	1S	11B	31B				P01 CUE MODEM	BACKP.AS1	1.862.661.00
			3A	1S	11B	32B				P01 CUE MODEM	BACKP.AS1	1.862.661.00

 * STUDER REVOX AG * S I G N A L W I R E L I S T * 91/02/19 * 11:24 * P A G E 280 *

 * 1.862.010.00 D820-48 PCM TAPE - RECORDER * 90/03/21 - 00 *

SIGNAL NAME	COLOR	MI	ASY	GRP	ELM	PNT	S	LV	TYPE	DESCRIPTION OF ELEMENT	REMARK	ELEMENT NR.
<<-- CONT.OF			3A	1S	11C	31C				P01 CUE MODEM	BACKP.AS1	1.862.661.00
+ 5 V 3A			3A	1S	11C	32C				P01 CUE MODEM	BACKP.AS1	1.862.661.00
			3A	1S	12A	31A				P02 CUE MODEM	BACKP.AS1	1.862.661.00
			3A	1S	12A	32A				P02 CUE MODEM	BACKP.AS1	1.862.661.00
			3A	1S	12B	31B				P02 CUE MODEM	BACKP.AS1	1.862.661.00
			3A	1S	12B	32B				P02 CUE MODEM	BACKP.AS1	1.862.661.00
			3A	1S	12C	31C				P02 CUE MODEM	BACKP.AS1	1.862.661.00
			3A	1S	12C	32C				P02 CUE MODEM	BACKP.AS1	1.862.661.00
			3A	1S	21A	31A				P01 CENTRAL PROCESSOR UNIT	BACKP.AS1	1.862.655.00
			3A	1S	21A	32A				P01 CENTRAL PROCESSOR UNIT	BACKP.AS1	1.862.655.00
			3A	1S	21B	31B				P01 CENTRAL PROCESSOR UNIT	BACKP.AS1	1.862.655.00
			3A	1S	21B	32B				P01 CENTRAL PROCESSOR UNIT	BACKP.AS1	1.862.655.00
			3A	1S	21C	31C				P01 CENTRAL PROCESSOR UNIT	BACKP.AS1	1.862.655.00
			3A	1S	21C	32C				P01 CENTRAL PROCESSOR UNIT	BACKP.AS1	1.862.655.00
			3A	1S	22A	31A				P02 CENTRAL PROCESSOR UNIT	BACKP.AS1	1.862.655.00
			3A	1S	22A	32A				P02 CENTRAL PROCESSOR UNIT	BACKP.AS1	1.862.655.00
			3A	1S	22B	31B				P02 CENTRAL PROCESSOR UNIT	BACKP.AS1	1.862.655.00
			3A	1S	22B	32B				P02 CENTRAL PROCESSOR UNIT	BACKP.AS1	1.862.655.00
			3A	1S	22C	31C				P02 CENTRAL PROCESSOR UNIT	BACKP.AS1	1.862.655.00
			3A	1S	22C	32C				P02 CENTRAL PROCESSOR UNIT	BACKP.AS1	1.862.655.00
			3A	1S	31A	31A				P01 PERIPHERAL INTERFACE	BACKP.AS1	1.862.656.00
			3A	1S	31A	32A				P01 PERIPHERAL INTERFACE	BACKP.AS1	1.862.656.00
			3A	1S	31B	31B				P01 PERIPHERAL INTERFACE	BACKP.AS1	1.862.656.00
			3A	1S	31B	32B				P01 PERIPHERAL INTERFACE	BACKP.AS1	1.862.656.00
			3A	1S	31C	31C				P01 PERIPHERAL INTERFACE	BACKP.AS1	1.862.656.00
			3A	1S	31C	32C				P01 PERIPHERAL INTERFACE	BACKP.AS1	1.862.656.00
			3A	1S	32A	31A				P02 PERIPHERAL INTERFACE	BACKP.AS1	1.862.656.00
			3A	1S	32A	32A				P02 PERIPHERAL INTERFACE	BACKP.AS1	1.862.656.00
			3A	1S	32B	31B				P02 PERIPHERAL INTERFACE	BACKP.AS1	1.862.656.00
			3A	1S	32B	32B				P02 PERIPHERAL INTERFACE	BACKP.AS1	1.862.656.00
			3A	1S	32C	31C				P02 PERIPHERAL INTERFACE	BACKP.AS1	1.862.656.00
			3A	1S	32C	32C				P02 PERIPHERAL INTERFACE	BACKP.AS1	1.862.656.00
			3A	1S	41A	31A				P01 SYNCHRONIZER	BACKP.AS1	1.862.659.00
			3A	1S	41A	32A				P01 SYNCHRONIZER	BACKP.AS1	1.862.659.00
			3A	1S	41B	31B				P01 SYNCHRONIZER	BACKP.AS1	1.862.659.00
			3A	1S	41B	32B				P01 SYNCHRONIZER	BACKP.AS1	1.862.659.00
			3A	1S	41C	31C				P01 SYNCHRONIZER	BACKP.AS1	1.862.659.00
			3A	1S	41C	32C				P01 SYNCHRONIZER	BACKP.AS1	1.862.659.00
			3A	1S	42A	31A				P02 SYNCHRONIZER	BACKP.AS1	1.862.659.00
			3A	1S	42A	32A				P02 SYNCHRONIZER	BACKP.AS1	1.862.659.00
			3A	1S	42B	31B				P02 SYNCHRONIZER	BACKP.AS1	1.862.659.00
			3A	1S	42B	32B				P02 SYNCHRONIZER	BACKP.AS1	1.862.659.00
			3A	1S	42C	31C				P02 SYNCHRONIZER	BACKP.AS1	1.862.659.00
			3A	1S	42C	32C				P02 SYNCHRONIZER	BACKP.AS1	1.862.659.00
			3A	1S	51A	31A				P01 REFERENCE TRACK	BACKP.AS1	1.862.657.00
			3A	1S	51A	32A				P01 REFERENCE TRACK	BACKP.AS1	1.862.657.00
			3A	1S	51B	31B				P01 REFERENCE TRACK	BACKP.AS1	1.862.657.00
			3A	1S	51B	32B				P01 REFERENCE TRACK	BACKP.AS1	1.862.657.00
			3A	1S	51C	31C				P01 REFERENCE TRACK	BACKP.AS1	1.862.657.00
			3A	1S	51C	32C				P01 REFERENCE TRACK	BACKP.AS1	1.862.657.00
			3A	1S	52A	31A				P02 REFERENCE TRACK	BACKP.AS1	1.862.657.00
			3A	1S	52A	32A				P02 REFERENCE TRACK	BACKP.AS1	1.862.657.00
			3A	1S	52B	31B				P02 REFERENCE TRACK	BACKP.AS1	1.862.657.00
			3A	1S	52B	32B				P02 REFERENCE TRACK	BACKP.AS1	1.862.657.00

./.

STUDER D820 MCH

 * STUDER REVOX AG * S I G N A L W I R E L I S T * 91/02/19 * 11:24 * P A G E 281 *

 * 1.862.010.00 D820-48 PCM TAPE - RECORDER * 90/03/21 - 00 *

SIGNAL NAME	COLOR	MI	ASY	GRP	ELM	PNT	S	LV	TYPE	DESCRIPTION OF ELEMENT	REMARK	ELEMENT NR.
<<-- CONT.OF			3A	1S	52C	31C				P02 REFERENCE TRACK	BACKP.AS1	1.862.657.00
+ 5 V 3A			3A	1S	52C	32C				P02 REFERENCE TRACK	BACKP.AS1	1.862.657.00
			3A	10S	16	10				FIFO-BUS TERMINATION	BACKP.AS1	
			3A	10S	17	10				FIFO-BUS TERMINATION	BACKP.AS1	
			3A	10S	18	10				FIFO-BUS TERMINATION	BACKP.AS1	
			3A	10S	19	10				FIFO-BUS TERMINATION	BACKP.AS1	
			3A	10S	46	10				FIFO-BUS TERMINATION	BACKP.AS1	
			3A	10S	47	10				FIFO-BUS TERMINATION	BACKP.AS1	
			3A	10S	48	10				FIFO-BUS TERMINATION	BACKP.AS1	
			3A	10S	49	10				FIFO-BUS TERMINATION	BACKP.AS1	
			3A	10S	62E	28D				P02 18V CONVERTER NEG	BACKP.AS1	1.862.600.00
			3A	10S	79	1				POWER TERMINAL + 5 V 3A	BACKP.AS1	
			3B	11	62A	24Z				5V CONVERTER 3A	BACKP.AA1	1.862.601.00
			3B	11	62A	26Z				5V CONVERTER 3A	BACKP.AA1	1.862.601.00
			3B	11	62A	28Z				5V CONVERTER 3A	BACKP.AA1	1.862.601.00
			3B	11	62A	30Z				5V CONVERTER 3A	BACKP.AA1	1.862.601.00
			3B	11	62A	32Z				5V CONVERTER 3A	BACKP.AA1	1.862.601.00
			3B	11	62C	24B				5V CONVERTER 3A	BACKP.AA1	1.862.601.00
			3B	11	62C	26B				5V CONVERTER 3A	BACKP.AA1	1.862.601.00
			3B	11	62C	28B				5V CONVERTER 3A	BACKP.AA1	1.862.601.00
			3B	11	62C	30B				5V CONVERTER 3A	BACKP.AA1	1.862.601.00
			3B	11	62C	32B				5V CONVERTER 3A	BACKP.AA1	1.862.601.00
			3B	11	62E	24D				5V CONVERTER 3A	BACKP.AA1	1.862.601.00
			3B	11	62E	26D				5V CONVERTER 3A	BACKP.AA1	1.862.601.00
			3B	11	62E	28D				5V CONVERTER 3A	BACKP.AA1	1.862.601.00
			3B	11	62E	30D				5V CONVERTER 3A	BACKP.AA1	1.862.601.00
			3B	11	62E	32D				5V CONVERTER 3A	BACKP.AA1	1.862.601.00
			3B	11	76	1				POWER-TERMINAL + 5 V 3A	BACKP.AA1	
+ 5 V 3B			3B	2	11A	31A				P01 MAPRO A-GR2 (CH 09-16)	BACKP.AA1	1.862.652.00
			3B	2	11A	32A				P01 MAPRO A-GR2 (CH 09-16)	BACKP.AA1	1.862.652.00
			3B	2	11B	31B				P01 MAPRO A-GR2 (CH 09-16)	BACKP.AA1	1.862.652.00
			3B	2	11B	32B				P01 MAPRO A-GR2 (CH 09-16)	BACKP.AA1	1.862.652.00
			3B	2	11C	31C				P01 MAPRO A-GR2 (CH 09-16)	BACKP.AA1	1.862.652.00
			3B	2	11C	32C				P01 MAPRO A-GR2 (CH 09-16)	BACKP.AA1	1.862.652.00
			3B	2	12A	31A				P02 MAPRO A-GR2 (CH 09-16)	BACKP.AA1	1.862.652.00
			3B	2	12A	32A				P02 MAPRO A-GR2 (CH 09-16)	BACKP.AA1	1.862.652.00
			3B	2	12B	31B				P02 MAPRO A-GR2 (CH 09-16)	BACKP.AA1	1.862.652.00
			3B	2	12B	32B				P02 MAPRO A-GR2 (CH 09-16)	BACKP.AA1	1.862.652.00
			3B	2	12C	31C				P02 MAPRO A-GR2 (CH 09-16)	BACKP.AA1	1.862.652.00
			3B	2	12C	32C				P02 MAPRO A-GR2 (CH 09-16)	BACKP.AA1	1.862.652.00
			3B	2	21A	31A				P01 DA A-GR2 (CH 09-16)	BACKP.AA1	1.862.651.00
			3B	2	21A	32A				P01 DA A-GR2 (CH 09-16)	BACKP.AA1	1.862.651.00
			3B	2	21B	31B				P01 DA A-GR2 (CH 09-16)	BACKP.AA1	1.862.651.00
			3B	2	21B	32B				P01 DA A-GR2 (CH 09-16)	BACKP.AA1	1.862.651.00
			3B	2	21C	31C				P01 DA A-GR2 (CH 09-16)	BACKP.AA1	1.862.651.00
			3B	2	21C	32C				P01 DA A-GR2 (CH 09-16)	BACKP.AA1	1.862.651.00
			3B	2	22A	31A				P02 DA A-GR2 (CH 09-16)	BACKP.AA1	1.862.651.00
			3B	2	22A	32A				P02 DA A-GR2 (CH 09-16)	BACKP.AA1	1.862.651.00
			3B	2	22B	31B				P02 DA A-GR2 (CH 09-16)	BACKP.AA1	1.862.651.00
			3B	2	22B	32B				P02 DA A-GR2 (CH 09-16)	BACKP.AA1	1.862.651.00
			3B	2	22C	31C				P02 DA A-GR2 (CH 09-16)	BACKP.AA1	1.862.651.00
			3B	2	22C	32C				P02 DA A-GR2 (CH 09-16)	BACKP.AA1	1.862.651.00
			3B	2	31A	31A				P01 IO A-GR2 (CH 09-16)	BACKP.AA1	1.862.653.00

STUDER D820 MCH

* STUDER REVOX AG * S I G N A L W I R E L I S T * 91/02/19 * 11:24 * PAGE 284 *
* 1.862.010.00 D820-48 PCM TAPE - RECORDER * 90/03/21 - 00 *

Table with columns: SIGNAL NAME, COLOR, MI, ASY GRP, ELM, PNT, S, LV, TYPE, DESCRIPTION OF ELEMENT, REMARK, ELEMENT NR.
Content includes: <<-- CONT.OF + 5 V 4A, 4A 2S 21A 31A, P01 PING-PONG, BACKP.AS2, 1.862.662.00

* STUDER REVOX AG * S I G N A L W I R E L I S T * 91/02/19 * 11:24 * PAGE 285 *
* 1.862.010.00 D820-48 PCM TAPE - RECORDER * 90/03/21 - 00 *

Table with columns: SIGNAL NAME, COLOR, MI, ASY GRP, ELM, PNT, S, LV, TYPE, DESCRIPTION OF ELEMENT, REMARK, ELEMENT NR.
Content includes: <<-- CONT.OF + 5 V 4A, 4A 2S 61C 32C, P01 SOUND-MEMORY, BACKP.AS2, 1.862.665.00

STUDER D820 MCH

*****STUDER REVOX AG * S I G N A L W I R E L I S T * 91/02/19 * 11:24 * PAGE 286 *
*****1.862.010.00 D820-48 PCM TAPE - RECORDER ***** 90/03/21 - 00 *****

Table with 10 columns: SIGNAL NAME, COLOR, MI, ASY, GRP, ELM, PNT, S, LV, TYPE, DESCRIPTION OF ELEMENT, REMARK, ELEMENT NR.
Row 1: <<-- CONT.OF + 5 V 4A, 4A 4 42C 32C, P02 AD A-GR4 (CH 25-32), BACKP. AS2, 1.862.650.00

Table with 10 columns: SIGNAL NAME, COLOR, MI, ASY, GRP, ELM, PNT, S, LV, TYPE, DESCRIPTION OF ELEMENT, REMARK, ELEMENT NR.
Row 1: + 5 V 4B, 4B 5 11A 31A, P01 MAPRO A-GR5 (CH 33-40), BACKP. AA2, 1.862.652.00

*****STUDER REVOX AG * S I G N A L W I R E L I S T * 91/02/19 * 11:24 * PAGE 287 *
*****1.862.010.00 D820-48 PCM TAPE - RECORDER ***** 90/03/21 - 00 *****

Table with 10 columns: SIGNAL NAME, COLOR, MI, ASY, GRP, ELM, PNT, S, LV, TYPE, DESCRIPTION OF ELEMENT, REMARK, ELEMENT NR.
Row 1: <<-- CONT.OF + 5 V 4B, 4B 5 32C 31C, P02 IO A-GR5 (CH 33-40), BACKP. AA2, 1.862.653.00

* STUDER REVOX AG * S I G N A L W I R E L I S T * 91/02/19 * 11:24 * P A G E 294 *

* 1.862.010.00 D820-48 PCM TAPE - RECORDER * 90/03/21 - 00 *

Table with columns: SIGNAL NAME, COLOR, MI, ASY, GRP, ELM, PNT, S, LV, TYPE, DESCRIPTION OF ELEMENT, REMARK, ELEMENT NR. Contains entries for CONT.OF + 5.6, + 5V, +FANTD, +REMSUP, +STABIN.

* STUDER REVOX AG * S I G N A L W I R E L I S T * 91/02/19 * 11:24 * P A G E 295 *

* 1.862.010.00 D820-48 PCM TAPE - RECORDER * 90/03/21 - 00 *

Table with columns: SIGNAL NAME, COLOR, MI, ASY, GRP, ELM, PNT, S, LV, TYPE, DESCRIPTION OF ELEMENT, REMARK, ELEMENT NR. Contains entries for CONT.OF +STABIN, +STABINA, +STABINB, +STABINC, +STABIND.

 * STUDER REVOK AG * S I G N A L W I R E L I S T * 91/02/19 * 11:24 * P A G E 298 *

 * 1.862.010.00 D820-48 PCM TAPE - RECORDER * 90/03/21 - 00 *

SIGNAL NAME	COLOR	MI	ASY	GRP	ELM	PNT	S	LV	TYPE	DESCRIPTION OF ELEMENT	REMARK	ELEMENT NR.
<<-- CONT.OF +STABIN2	2		1	35	11	2			L	WIRE FIELD		
			1	35	11	3			L	WIRE FIELD		
			1	35	11	4			L	WIRE FIELD		
	2		1	35	54	3			AX	TO SWIT. STABILIZER +15.0/ -15.0	P54	54.25.0304
	2		1	35	54	4			AX	TO SWIT. STABILIZER +15.0/ -15.0	P54	54.25.0304
	2		1	35	58	3			AX	FROM POWER SUPPLY	P58	54.25.0308
	2		1	35	60	3			AX	TO BASIS BOARD TAPE DECK	P60	54.25.0306
			1	59	1	5				FROM GRP20, ELM63 (BASIS B. TD)	P01	
			7	11	2	2				FUSE HOLDER / FUSE 16AT SLOW.B.	F2	53.03.0121
	2		7	12	1	3			BX	DC OUTPUT TO TAPE DECK		54.25.0308
+STABIN3			1	19	7	1A				RECORD CURRENT SUPPLY (+VREC)	J07	1.862.719.00
			1	19	7	1B				RECORD CURRENT SUPPLY (+VREC)	J07	1.862.719.00
			1	19	7	1C				RECORD CURRENT SUPPLY (+VREC)	J07	1.862.719.00
			1	19	7	2A				RECORD CURRENT SUPPLY (+VREC)	J07	1.862.719.00
			1	19	7	2B				RECORD CURRENT SUPPLY (+VREC)	J07	1.862.719.00
			1	19	7	2C				RECORD CURRENT SUPPLY (+VREC)	J07	1.862.719.00
			1	19	8	1A				RECORD CURRENT SUPPLY (-VREC)	J08	1.862.719.00
			1	19	8	1B				RECORD CURRENT SUPPLY (-VREC)	J08	1.862.719.00
			1	19	8	1C				RECORD CURRENT SUPPLY (-VREC)	J08	1.862.719.00
			1	19	8	2A				RECORD CURRENT SUPPLY (-VREC)	J08	1.862.719.00
			1	19	8	2B				RECORD CURRENT SUPPLY (-VREC)	J08	1.862.719.00
			1	19	8	2C				RECORD CURRENT SUPPLY (-VREC)	J08	1.862.719.00
			1	19	38	1			BX	INPUT RECORD CURRENT SUPPLY	P38	54.25.0003
			1	20	53	5				CONNECTOR REMOTE CTR IF	P53	54.14.2004
			1	20	53	6				CONNECTOR REMOTE CTR IF	P53	54.14.2004
			1	20	70	5			BX	DC POWER SUPPLY	J70	
			1	27	2	5				CONNECTOR REMOTE CTR IF	P27	
			1	27	2	6				CONNECTOR REMOTE CTR IF	P27	
			1	32	3	2			BX	DC INPUT (GRP35, ELM56)	P03	
			1	35	7	1				WIRE FIELD		
	2		1	35	7	2			L	WIRE FIELD		
	2		1	35	7	3			L	WIRE FIELD		
	2		1	35	7	4			L	WIRE FIELD		
	2		1	35	7	5			L	WIRE FIELD		
			1	35	7	6				WIRE FIELD		
			1	35	7	7				WIRE FIELD		
			1	35	7	8				WIRE FIELD		
	2		1	35	56	2			AX	TO STABILIZER +5.6	P56	54.25.0302
	2		1	35	58	5			AX	FROM POWER SUPPLY	P58	54.25.0308
	2		1	35	60	5			AX	TO BASIS BOARD TAPE DECK	P60	54.25.0306
	2		1	35	61	1			AX	TO BASIS BOARD AUDIO CONTROL	P61	54.25.0302
			1	59	1	1				FROM GRP20, ELM63 (BASIS B. TD)	P01	
			1	59	1	2				FROM GRP20, ELM63 (BASIS B. TD)	P01	
			7	11	3	2				FUSE HOLDER / FUSE 16AT SLOW.B.	F3	53.03.0121
	2		7	12	1	5			BX	DC OUTPUT TO TAPE DECK		54.25.0308
+STABIN4			1	25	1	9			B	CONN. AUTOLOCATOR, REMOTE TIMER	J01	
			1	27	1	3				TO GRP26, ELM01 (SERIAL REM. IF)	P01	
+STABIR1			1	20	63	7				FUSE FAILURE DETECTOR	P63	
			1	20	63	8				FUSE FAILURE DETECTOR	P63	
+STABIR2			1	20	63	5				FUSE FAILURE DETECTOR	P63	

STUDER D820 MCH

 * STUDER REVOX AG * S I G N A L H I R E L I S T * 91/02/19 * 11.24 * P A G E 299 *

 * 1.862.010.00 D820-48 PCM TAPE - RECORDER * 90/03/21 - 00 *

SIGNAL NAME	COLOR	MI	ASY	GRP	ELM	PNT	S	LV	TYPE	DESCRIPTION OF ELEMENT	REMARK	ELEMENT NR.
+STABIR3			1	20	63	1				FUSE FAILURE DETECTOR	P63	
			1	20	63	2				FUSE FAILURE DETECTOR	P63	
+TIMER	2		1	73	1	2D				JUNCTION		
			1	73	2	1				TIMER		
+VMOT			1	29	1	2			BX	FROM SP. M. DRIVE AMPL. RIGHT	J01	
			1	29	2	2			BX	TO SPOOLING MOTOR RIGHT	J02	
			1	29	3	2			BX	FROM SP. M. DRIVE AMPL. LEFT	J03	
			1	29	4	2			BX	TO SPOOLING MOTOR LEFT	J04	
			1	30	3	2			BX	OUTPUT MOTOR RIGHT	J01	
			1	30	4	1			BX	(OUTPUT MOTOR LEFT)	J02	
			1	33	3	2			BX	(OUTPUT MOTOR RIGHT)	J01	
			1	33	4	1			BX	OUTPUT MOTOR LEFT	J02	
	2		1	36	2	1			AX	FROM GRP29, ELM 04	P02	
	2		1	37	2	1			AX	FROM GRP29, ELM 02	P02	
+VREC			1	19	6	8A				CURRENT DRIVER (RT,TC,CUE 1/2)	J06	1.862.716.00
			1	19	6	13A				CURRENT DRIVER (RT,TC,CUE 1/2)	J06	1.862.716.00
			1	19	6	13B				CURRENT DRIVER (RT,TC,CUE 1/2)	J06	1.862.716.00
			1	19	7	10A				RECORD CURRENT SUPPLY (+VREC)	J07	1.862.719.00
			1	19	7	10B				RECORD CURRENT SUPPLY (+VREC)	J07	1.862.719.00
			1	19	7	10C				RECORD CURRENT SUPPLY (+VREC)	J07	1.862.719.00
			1	19	7	13A				RECORD CURRENT SUPPLY (+VREC)	J07	1.862.719.00
			1	19	7	13B				RECORD CURRENT SUPPLY (+VREC)	J07	1.862.719.00
			1	19	7	13C				RECORD CURRENT SUPPLY (+VREC)	J07	1.862.719.00
			1	19	9	13A				RECORD CURRENT SUPPLY (+VREC)	J07	1.862.719.00
			1	19	9	13B				RECORD CURRENT DRIVER CH 1..8	J09	1.862.716.00
			1	19	10	13A				RECORD CURRENT DRIVER CH 1..8	J09	1.862.716.00
			1	19	10	13B				RECORD CURRENT DRIVER CH 9..16	J10	1.862.716.00
			1	19	10	13C				RECORD CURRENT DRIVER CH 9..16	J10	1.862.716.00
			1	19	11	13A				RECORD CURRENT DRIVER CH 17..24	J11	1.862.716.00
			1	19	11	13B				RECORD CURRENT DRIVER CH 17..24	J11	1.862.716.00
			1	19	12	13A				RECORD CURRENT DRIVER CH 25..32	J12	1.862.716.00
			1	19	12	13B				RECORD CURRENT DRIVER CH 25..32	J12	1.862.716.00
			1	19	13	13A				RECORD CURRENT DRIVER CH 33..40	J13	1.862.716.00
			1	19	13	13B				RECORD CURRENT DRIVER CH 33..40	J13	1.862.716.00
			1	19	14	13A				RECORD CURRENT DRIVER CH 41..48	J14	1.862.716.00
			1	19	14	13B				RECORD CURRENT DRIVER CH 41..48	J14	1.862.716.00
			1	19	37	1			BX	OUTPUT RECORD CURRENT SUPPLY	P37	54.25.0004
			1	19	37	2			BX	OUTPUT RECORD CURRENT SUPPLY	P37	54.25.0004
			1	21	25	3			BX	OUTPUT RECORD CURRENT SUPPLY	P37	54.25.0004
	2		1	35	50	3			AX	CONN. TO PRIMARY REC. AMPLIFIER	P50	54.25.0303
	2		1	35	51	3			AX	CONN. TO SYNC RECORD AMPLIFIER	P51	54.25.0303
+YSUP			1	20	19	12A				TAPE DECK PERIPHERY CONTR.	J19	1.820.762.00
+0.0SENS			1	32	1	9				FROM DISTRIBUTION BOARD (ELM21)	P01	
+12.0			1	15	21	3			BX	SUPPLY CONNECTOR	P21	54.25.0004
			1	16	2	3			BX	TO GRP 15, ELM 21	P02	54.25.0004
	2		1	35	66	3			AX	FROM PREAMPLIFIER SUPPLY	P66	54.25.0304
	2		1	35	67	3			AX	TO PREAMPLIFIER	P67	54.25.0304
	6		1	35	68	2			AX	TO PREAMPLIFIER	P68	54.25.0304
	2		1	35	69	1			AX	TO PREAMPLIFIER	P69	54.25.0304

STUDER D820 MCH

STUDER REVQX AG * S I G N A L W I R E L I S T * 91/02/19 * 11:24 * PAGE 300 *
1.862.010.00 D820-48 PCM TAPE - RECORDER * 90/03/21 - 00 *

Table with columns: SIGNAL NAME, COLOR, MI, ASY, GRP, ELM, PNT, S, LV, TYPE, DESCRIPTION OF ELEMENT, REMARK, ELEMENT NR. Includes entries for EQUALIZER, READ UNIT, and RECORD CONTROLLER.

STUDER REVQX AG * S I G N A L W I R E L I S T * 91/02/19 * 11:24 * PAGE 301 *
1.862.010.00 D820-48 PCM TAPE - RECORDER * 90/03/21 - 00 *

Table with columns: SIGNAL NAME, COLOR, MI, ASY, GRP, ELM, PNT, S, LV, TYPE, DESCRIPTION OF ELEMENT, REMARK, ELEMENT NR. Includes entries for CONNECTOR TO TAPE DECK BASIS B., CONVERTER, CAPSTAN PHASE CONTROL BOARD, and various sensors.

* STUDER REVOX AG * S I G N A L W I R E L I S T * 91/02/19 * 11:24 * P A G E 304 *

* 1.862.010.00 D820-48 PCM TAPE - RECORDER * 90/03/21 - 00 *

Table with columns: SIGNAL NAME, COLOR, MI, ASY, GRP, ELM, PNT, S, LV, TYPE, DESCRIPTION OF ELEMENT, REMARK, ELEMENT NR. Includes entries for P02 MAPRO, P01 DA, P01 IO, P02 IO, P01 AD, P02 AD, P02 BTM, P01 MASTER I/O A, P01 MASTER I/O B, P01 AES-INTERFACE, P02 AES-INTERFACE, P01 SOUND-MEMORY.

* STUDER REVOX AG * S I G N A L W I R E L I S T * 91/02/19 * 11:24 * P A G E 305 *

* 1.862.010.00 D820-48 PCM TAPE - RECORDER * 90/03/21 - 00 *

Table with columns: SIGNAL NAME, COLOR, MI, ASY, GRP, ELM, PNT, S, LV, TYPE, DESCRIPTION OF ELEMENT, REMARK, ELEMENT NR. Includes entries for P01 SOUND-MEMORY, P01 MAPRO A GR4, P02 MAPRO A GR4, P01 DA A GR4, P02 DA A GR4, P01 TO A GR4, P02 TO A GR4, P01 AD A GR4, P02 AD A GR4, P02 18 V CONVERTER POS, P01 MAPRO A GR5, P02 MAPRO A GR5, P01 DA A GR5.

STUDER D820 MCH

 * STUDER REVOX AG * S I G N A L H I R E L I S T * 91/02/19 * 11:24 * P A G E 306 *

 * 1.862.010.00 D820-48 PCM TAPE - RECORDER * 90/03/21 - 00 *

SIGNAL NAME	COLOR	MI	ASY	GRP	ELM	PNT	S	LV	TYPE	DESCRIPTION OF ELEMENT	REMARK	ELEMENT NR.
<<-- CONT.OF +18 V			4B	5	22B	30B				P02 DA A-GR5 (CH 33-40)	BACKP.AA2	1.862.651.00
			4B	5	22C	30C				P02 DA A-GR5 (CH 33-40)	BACKP.AA2	1.862.651.00
			4B	5	31A	30A				P01 IO A-GR5 (CH 33-40)	BACKP.AA2	1.862.653.00
			4B	5	31B	30B				P01 IO A-GR5 (CH 33-40)	BACKP.AA2	1.862.653.00
			4B	5	31C	30C				P01 IO A-GR5 (CH 33-40)	BACKP.AA2	1.862.653.00
			4B	5	32A	30A				P02 IO A-GR5 (CH 33-40)	BACKP.AA2	1.862.653.00
			4B	5	32B	30B				P02 IO A-GR5 (CH 33-40)	BACKP.AA2	1.862.653.00
			4B	5	32C	30C				P02 IO A-GR5 (CH 33-40)	BACKP.AA2	1.862.653.00
			4B	5	41A	30A				P01 AD A-GR5 (CH 33-40)	BACKP.AA2	1.862.650.00
			4B	5	41B	30B				P01 AD A-GR5 (CH 33-40)	BACKP.AA2	1.862.650.00
			4B	5	41C	30C				P01 AD A-GR5 (CH 33-40)	BACKP.AA2	1.862.650.00
			4B	5	42A	30A				P02 AD A-GR5 (CH 33-40)	BACKP.AA2	1.862.650.00
			4B	5	42B	30B				P02 AD A-GR5 (CH 33-40)	BACKP.AA2	1.862.650.00
			4B	5	42C	30C				P02 AD A-GR5 (CH 33-40)	BACKP.AA2	1.862.650.00
			4B	6	11A	30A				P01 MAPRO A-GR6 (CH 41-48)	BACKP.AA2	1.862.652.00
			4B	6	11B	30B				P01 MAPRO A-GR6 (CH 41-48)	BACKP.AA2	1.862.652.00
			4B	6	11C	30C				P01 MAPRO A-GR6 (CH 41-48)	BACKP.AA2	1.862.652.00
			4B	6	12A	30A				P02 MAPRO A-GR6 (CH 41-48)	BACKP.AA2	1.862.652.00
			4B	6	12B	30B				P02 MAPRO A-GR6 (CH 41-48)	BACKP.AA2	1.862.652.00
			4B	6	12C	30C				P02 MAPRO A-GR6 (CH 41-48)	BACKP.AA2	1.862.652.00
			4B	6	21A	30A				P01 DA A-GR6 (CH 41-48)	BACKP.AA2	1.862.651.00
			4B	6	21B	30B				P01 DA A-GR6 (CH 41-48)	BACKP.AA2	1.862.651.00
			4B	6	21C	30C				P01 DA A-GR6 (CH 41-48)	BACKP.AA2	1.862.651.00
			4B	6	22A	30A				P02 DA A-GR6 (CH 41-48)	BACKP.AA2	1.862.651.00
			4B	6	22B	30B				P02 DA A-GR6 (CH 41-48)	BACKP.AA2	1.862.651.00
			4B	6	22C	30C				P02 DA A-GR6 (CH 41-48)	BACKP.AA2	1.862.651.00
			4B	6	31A	30A				P01 IO A-GR6 (CH 41-48)	BACKP.AA2	1.862.653.00
			4B	6	31B	30B				P01 IO A-GR6 (CH 41-48)	BACKP.AA2	1.862.653.00
			4B	6	31C	30C				P01 IO A-GR6 (CH 41-48)	BACKP.AA2	1.862.653.00
			4B	6	32A	30A				P02 IO A-GR6 (CH 41-48)	BACKP.AA2	1.862.653.00
			4B	6	32B	30B				P02 IO A-GR6 (CH 41-48)	BACKP.AA2	1.862.653.00
			4B	6	32C	30C				P02 IO A-GR6 (CH 41-48)	BACKP.AA2	1.862.653.00
			4B	6	41A	30A				P01 AD A-GR6 (CH 41-48)	BACKP.AA2	1.862.650.00
			4B	6	41B	30B				P01 AD A-GR6 (CH 41-48)	BACKP.AA2	1.862.650.00
			4B	6	41C	30C				P01 AD A-GR6 (CH 41-48)	BACKP.AA2	1.862.650.00
			4B	6	42A	30A				P02 AD A-GR6 (CH 41-48)	BACKP.AA2	1.862.650.00
			4B	6	42B	30B				P02 AD A-GR6 (CH 41-48)	BACKP.AA2	1.862.650.00
			4B	6	42C	30C				P02 AD A-GR6 (CH 41-48)	BACKP.AA2	1.862.650.00
			4B	6	52A	30A				P02 BTM	BACKP.AA2	1.862.670.00
			4B	6	52B	30B				P02 BTM	BACKP.AA2	1.862.670.00
			4B	6	52C	30C				P02 BTM	BACKP.AA2	1.862.670.00
			4B	11	78	1				POWER-TERMINAL +18 V	BACKP.AA2	
+24.0			1	20	51	5				TO DISPLAY DRIVER	P51	54.14.2004
			1	20	51	6				TO DISPLAY DRIVER	P51	54.14.2004
			1	20	63	4				FUSE FAILURE DETECTOR	P63	
			1	20	68	2			BX	BRAKE SOLENOIDS	J68	
			1	20	68	4			BX	BRAKE SOLENOIDS	J68	
			1	20	69	10			BX	DC STABILIZERS	J69	
			1	20	71	2				TO MACHANICAL ELAPSED TIMER		54.99.0213
			1	32	2	2			BX	DC OUTPUT (GRP35, ELM55)	P02	
			1	35	4	1				WIRE FIELD		
	7		1	35	4	2			L	WIRE FIELD		
	7		1	35	4	3			L	WIRE FIELD		

 * STUDER REVOX AG * S I G N A L W I R E L I S T * 91/02/19 * 11:24 * P A G E 307 *

 * 1.862.010.00 D820-48 PCM TAPE - RECORDER * 90/03/21 - 00 *

SIGNAL NAME	COLOR	MI	ASY	GRP	ELM	PNT	S	LV	TYPE	DESCRIPTION OF ELEMENT	REMARK	ELEMENT NR.
<<-- CONT.OF			1	35	4	4				WIRE FIELD		
+24.0	7		1	35	55	2			AX	FROM SWITCHING STABILIZER +5.6	P55	54.25.0310
	7		1	35	59	10			AX	CONN. TO BASIS BOARD TAPE DECK	P59	54.25.0310
	2		1	35	68	1			AX	TO PREAMPLIFIER	P68	54.25.0304
	7		1	40	1	1			M	BRAKE SOLENOID		
	7		1	41	1	1			M	BRAKE SOLENOID		
			1	50	1	5				DISPLAY DRIVER	P01	1.820.768.00
			1	50	1	6				DISPLAY DRIVER	P01	1.820.768.00
			1	50	1A	5				CIRCUIT DIAGRAM SIGNAL NAMES	P01	1.820.768.00
			1	50	1A	6				CIRCUIT DIAGRAM SIGNAL NAMES	P01	1.820.768.00
			1	59	1	4				FROM GRP20, ELM63 (BASIS B. TD)	P01	
	2		1	73	1	1B				JUNCTION		
+24.0L			1	48	1	5				FROM GRP50, ELM03 (DISPLAY DRIVER)		
			1	48	3	1				WIRE FIELD		
			1	48	3	2				WIRE FIELD		
+24.0NRS			1	31	2	8				DC OUTPUT (GRP35, ELM53)	P02	
	7		1	35	15	1			L	WIRE FIELD		
			1	35	15	2				WIRE FIELD		
			1	35	15	3				WIRE FIELD		
			1	35	15	4				WIRE FIELD		
			1	35	15	5				WIRE FIELD		
			1	35	15	6				WIRE FIELD		
			1	35	22	10			BX	AUDIO RACK CH 1 TO 8	J01	
			1	35	23	10			BX	AUDIO RACK CH 9 TO 16	J02	
			1	35	24	10			BX	AUDIO RACK CH 17 TO 24	J03	
	7		1	35	53	8			AX	FROM SW. STABILIZER +15.0/ -15.0	P53	54.25.0308
+24.0REM			1	25	2	25			B	CONNECTOR SYNCHRONIZER CONTROL	J02	
			1	25	3	25			B	CONN. PARALLEL REMOTE CONTROL	J01	
			1	27	3	24				TO GRP25, ELM02 (SYNCHRONIZER)	P03	
			1	27	4	24				TO CONN. PARALLEL REMOTE CONTR.	P04	
+26.0			1	20	58	5				TAPE LIFT MOTOR, RIGHT	P58	
			1	20	59	5				TAPE LIFT MOTOR, LEFT	P59	
			1	20	63	15				FUSE FAILURE DETECTOR	P63	
			1	20	69	6			BX	DC STABILIZERS	J69	
			1	32	2	5			BX	DC OUTPUT (GRP35, ELM55)	P02	
	1		1	35	5	1			U	WIRE FIELD		
	1		1	35	5	2			L	WIRE FIELD		
			1	35	5	3				WIRE FIELD		
			1	35	5	4				WIRE FIELD		
	1		1	35	55	5			AX	FROM SWITCHING STABILIZER +5.6	P55	54.25.0310
	1		1	35	59	6			AX	CONN. TO BASIS BOARD TAPE DECK	P59	54.25.0310
			1	46	1	5				FROM GRP20, ELM59	P01	
			1	47	1	5				FROM GRP20, ELM58 (BASIS B. TD)	P01	
			1	59	1	15				FROM GRP20, ELM63 (BASIS B. TD)	P01	
			1	60	1	5				FROM GR. 20 ELM 58	P01	
			1	60	5	5				TO TAPE LIFT MOTOR, RIGHT	P05	
+5.6SENS			1	32	1	10				FROM DISTRIBUTION BOARD (ELM21)	P01	
-FANTD	6		1	73	1	2C				JUNCTION		

* STUDER REVOX AG * S I G N A L W I R E L I S T * 91/02/19 * 11:24 * P A G E 310 *

* 1.862.010.00 D820-48 PCM TAPE - RECORDER * 90/03/21 - 00 *

Table with columns: SIGNAL NAME, COLOR, MI, ASY GRP, ELM, PNT, S, LV, TYPE, DESCRIPTION OF ELEMENT, REMARK, ELEMENT NR. Includes entries for CONT.OF -15.0 and various component descriptions like CAPSTAN PHASE CONTROL BOARD, TAPE DECK PERIPHERY CONTR., etc.

* STUDER REVOX AG * S I G N A L W I R E L I S T * 91/02/19 * 11:24 * P A G E 311 *

* 1.862.010.00 D820-48 PCM TAPE - RECORDER * 90/03/21 - 00 *

Table with columns: SIGNAL NAME, COLOR, MI, ASY GRP, ELM, PNT, S, LV, TYPE, DESCRIPTION OF ELEMENT, REMARK, ELEMENT NR. Includes entries for CONT.OF -15.0 and descriptions like FROM GRP20, ELM56 (BASIS B. TD), etc.

Table with columns: SIGNAL NAME, COLOR, MI, ASY GRP, ELM, PNT, S, LV, TYPE, DESCRIPTION OF ELEMENT, REMARK, ELEMENT NR. Includes entries for -18 V and descriptions like P01 MAPRO A-GR1 (CH 01-08), P01 CUE MODEM, etc.

STUDER D820 MCH

* STUDER REVOX AG * S I G N A L W I R E L I S T * 91/02/19 * 11:24 * PAGE 315 *

* 1.862.010.00 D820-48 PCM TAPE - RECORDER * 90/03/21 - 00 *

Table with columns: SIGNAL NAME, COLOR, MI, ASY, GRP, ELM, PNT, S, LV, TYPE, DESCRIPTION OF ELEMENT, REMARK, ELEMENT NR. Includes entries for CONT. OF -18 V, -26.0, and A-EDC+C1.

* STUDER REVOX AG * S I G N A L W I R E L I S T * 91/02/19 * 11:24 * PAGE 316 *

* 1.862.010.00 D820-48 PCM TAPE - RECORDER * 90/03/21 - 00 *

Table with columns: SIGNAL NAME, COLOR, MI, ASY, GRP, ELM, PNT, S, LV, TYPE, DESCRIPTION OF ELEMENT, REMARK, ELEMENT NR. Includes entries for A-EDC+C2, A-EDC+RT, A-EDC+TC, A-EDC-C1, A-EDC-C2, A-EDC-RT, A-EDC-TC, A-MESNOS, A-MESRAM, A-MESREF, and A-MESRFO.

 * STUDER REVOX AG * S I G N A L W I R E L I S T * 91/02/19 * 11:24 * P A G E 317 *

 * 1.862.010.00 D820-48 PCM TAPE - RECORDER * 90/03/21 - 00 *

SIGNAL NAME	COLOR	MI	ASY	GRP	ELM	PNT	S	LV	TYPE	DESCRIPTION OF ELEMENT	REMARK	ELEMENT NR.
A-RDC+C1			1	19	6	6A				CURRENT DRIVER (RT,TC,CUE 1/2)	J06	1.862.716.00
			1	19	36	1				RECORD CURRENT RT/TC/CUE	P36	54.14.2002
			1	21	3	1				RECORD CURRENT RT/TC/CUE	P03	54.14.2002
A-RDC+C2			1	19	6	4A				CURRENT DRIVER (RT,TC,CUE 1/2)	J06	1.862.716.00
			1	19	36	5				RECORD CURRENT RT/TC/CUE	P36	54.14.2002
			1	21	3	5				RECORD CURRENT RT/TC/CUE	P03	54.14.2002
A-RDC+RT			1	19	6	3A				CURRENT DRIVER (RT,TC,CUE 1/2)	J06	1.862.716.00
			1	19	36	7				RECORD CURRENT RT/TC/CUE	P36	54.14.2002
			1	21	3	7				RECORD CURRENT RT/TC/CUE	P03	54.14.2002
A-RDC+TC			1	19	6	1A				CURRENT DRIVER (RT,TC,CUE 1/2)	J06	1.862.716.00
			1	19	36	11				RECORD CURRENT RT/TC/CUE	P36	54.14.2002
			1	21	3	11				RECORD CURRENT RT/TC/CUE	P03	54.14.2002
A-RDC+01			1	19	9	12A				RECORD CURRENT DRIVER CH 1..8	J09	1.862.716.00
			1	19	39	1				RECORD CURRENT CH 1..8	P39	54.14.2003
			1	21	4	1				RECORD CURRENT CH 1..8	P04	54.14.2003
A-RDC+02			1	19	9	10A				RECORD CURRENT DRIVER CH 1..8	J09	1.862.716.00
			1	19	39	5				RECORD CURRENT CH 1..8	P39	54.14.2003
			1	21	4	5				RECORD CURRENT CH 1..8	P04	54.14.2003
A-RDC+03			1	19	9	9A				RECORD CURRENT DRIVER CH 1..8	J09	1.862.716.00
			1	19	39	7				RECORD CURRENT CH 1..8	P39	54.14.2003
			1	21	4	7				RECORD CURRENT CH 1..8	P04	54.14.2003
A-RDC+04			1	19	9	7A				RECORD CURRENT DRIVER CH 1..8	J09	1.862.716.00
			1	19	39	11				RECORD CURRENT CH 1..8	P39	54.14.2003
			1	21	4	11				RECORD CURRENT CH 1..8	P04	54.14.2003
A-RDC+05			1	19	9	6A				RECORD CURRENT DRIVER CH 1..8	J09	1.862.716.00
			1	19	39	13				RECORD CURRENT CH 1..8	P39	54.14.2003
			1	21	4	13				RECORD CURRENT CH 1..8	P04	54.14.2003
A-RDC+06			1	19	9	4A				RECORD CURRENT DRIVER CH 1..8	J09	1.862.716.00
			1	19	39	17				RECORD CURRENT CH 1..8	P39	54.14.2003
			1	21	4	17				RECORD CURRENT CH 1..8	P04	54.14.2003
A-RDC+07			1	19	9	3A				RECORD CURRENT DRIVER CH 1..8	J09	1.862.716.00
			1	19	39	19				RECORD CURRENT CH 1..8	P39	54.14.2003
			1	21	4	19				RECORD CURRENT CH 1..8	P04	54.14.2003
A-RDC+08			1	19	9	1A				RECORD CURRENT DRIVER CH 1..8	J09	1.862.716.00
			1	19	39	23				RECORD CURRENT CH 1..8	P39	54.14.2003
			1	21	4	23				RECORD CURRENT CH 1..8	P04	54.14.2003
A-RDC+09			1	19	10	12A				RECORD CURRENT DRIVER CH 9..16	J10	1.862.716.00
			1	19	40	1				RECORD CURRENT CH 9..16	P40	54.14.2003
			1	21	5	1				RECORD CURRENT CH 9..16	P05	54.14.2003
A-RDC+10			1	19	10	10A				RECORD CURRENT DRIVER CH 9..16	J10	1.862.716.00
			1	19	40	5				RECORD CURRENT CH 9..16	P40	54.14.2003
			1	21	5	5				RECORD CURRENT CH 9..16	P05	54.14.2003

STUDER D820 MCH

 * STUDER REVOX AG * S I G N A L W I R E L I S T * 91/02/19 * 11:24 * P A G E 318 *

 * 1.862.010.00 D820-48 PCM TAPE - RECORDER * 90/03/21 - 00 *

SIGNAL NAME	COLOR	MI	ASY	GRP	ELM	PNT	S	LV	TYPE	DESCRIPTION OF ELEMENT	REMARK	ELEMENT NR.
A-RDC+11					1 19 10	9A				RECORD CURRENT DRIVER CH 9..16	J10	1.862.716.00
					1 19 40	7				RECORD CURRENT CH 9..16	P40	54.14.2003
					1 21 5	7				RECORD CURRENT CH 9..16	P05	54.14.2003
A-RDC+12					1 19 10	7A			RECORD CURRENT DRIVER CH 9..16	J10	1.862.716.00	
					1 19 40	11				RECORD CURRENT CH 9..16	P40	54.14.2003
					1 21 5	11				RECORD CURRENT CH 9..16	P05	54.14.2003
A-RDC+13					1 19 10	6A			RECORD CURRENT DRIVER CH 9..16	J10	1.862.716.00	
					1 19 40	13				RECORD CURRENT CH 9..16	P40	54.14.2003
					1 21 5	13				RECORD CURRENT CH 9..16	P05	54.14.2003
A-RDC+14					1 19 10	4A			RECORD CURRENT DRIVER CH 9..16	J10	1.862.716.00	
					1 19 40	17				RECORD CURRENT CH 9..16	P40	54.14.2003
					1 21 5	17				RECORD CURRENT CH 9..16	P05	54.14.2003
A-RDC+15					1 19 10	3A			RECORD CURRENT DRIVER CH 9..16	J10	1.862.716.00	
					1 19 40	19				RECORD CURRENT CH 9..16	P40	54.14.2003
					1 21 5	19				RECORD CURRENT CH 9..16	P05	54.14.2003
A-RDC+16					1 19 10	1A			RECORD CURRENT DRIVER CH 9..16	J10	1.862.716.00	
					1 19 40	23				RECORD CURRENT CH 9..16	P40	54.14.2003
					1 21 5	23				RECORD CURRENT CH 9..16	P05	54.14.2003
A-RDC+17					1 19 11	12A			RECORD CURRENT DRIVER CH 17..24	J11	1.862.716.00	
					1 19 41	1				RECORD CURRENT CH 17..24	P41	54.14.2003
					1 21 6	1				RECORD CURRENT CH 17..24	P06	54.14.2003
A-RDC+18					1 19 11	10A			RECORD CURRENT DRIVER CH 17..24	J11	1.862.716.00	
					1 19 41	5				RECORD CURRENT CH 17..24	P41	54.14.2003
					1 21 6	5				RECORD CURRENT CH 17..24	P06	54.14.2003
A-RDC+19					1 19 11	9A			RECORD CURRENT DRIVER CH 17..24	J11	1.862.716.00	
					1 19 41	7				RECORD CURRENT CH 17..24	P41	54.14.2003
					1 21 6	7				RECORD CURRENT CH 17..24	P06	54.14.2003
A-RDC+20					1 19 11	7A			RECORD CURRENT DRIVER CH 17..24	J11	1.862.716.00	
					1 19 41	11				RECORD CURRENT CH 17..24	P41	54.14.2003
					1 21 6	11				RECORD CURRENT CH 17..24	P06	54.14.2003
A-RDC+21					1 19 11	6A			RECORD CURRENT DRIVER CH 17..24	J11	1.862.716.00	
					1 19 41	13				RECORD CURRENT CH 17..24	P41	54.14.2003
					1 21 6	13				RECORD CURRENT CH 17..24	P06	54.14.2003
A-RDC+22					1 19 11	4A			RECORD CURRENT DRIVER CH 17..24	J11	1.862.716.00	
					1 19 41	17				RECORD CURRENT CH 17..24	P41	54.14.2003
					1 21 6	17				RECORD CURRENT CH 17..24	P06	54.14.2003
A-RDC+23					1 19 11	3A			RECORD CURRENT DRIVER CH 17..24	J11	1.862.716.00	
					1 19 41	19				RECORD CURRENT CH 17..24	P41	54.14.2003
					1 21 6	19				RECORD CURRENT CH 17..24	P06	54.14.2003
A-RDC+24					1 19 11	1A			RECORD CURRENT DRIVER CH 17..24	J11	1.862.716.00	
					1 19 41	23				RECORD CURRENT CH 17..24	P41	54.14.2003
					1 21 6	23				RECORD CURRENT CH 17..24	P06	54.14.2003

 * STUDER REVOX AG * S I G N A L W I R E L I S T * 91/02/19 * 11:24 * P A G E 319 *

 * 1.862.010.00 D820-48 PCM TAPE - RECORDER * 90/03/21 - 00 *

SIGNAL NAME	COLOR	MI	ASY	GRP	ELM	PNT	S	LV	TYPE	DESCRIPTION OF ELEMENT	REMARK	ELEMENT NR.
A-RDC+25			1	19	12	12A				RECORD CURRENT DRIVER CH 25..32	J12	1.862.716.00
			1	19	42	1				RECORD CURRENT CH 25..32	P42	54.14.2003
			1	21	7	1				RECORD CURRENT CH 25..32	P07	54.14.2003
A-RDC+26			1	19	12	10A				RECORD CURRENT DRIVER CH 25..32	J12	1.862.716.00
			1	19	42	5				RECORD CURRENT CH 25..32	P42	54.14.2003
			1	21	7	5				RECORD CURRENT CH 25..32	P07	54.14.2003
A-RDC+27			1	19	12	9A				RECORD CURRENT DRIVER CH 25..32	J12	1.862.716.00
			1	19	42	7				RECORD CURRENT CH 25..32	P42	54.14.2003
			1	21	7	7				RECORD CURRENT CH 25..32	P07	54.14.2003
A-RDC+28			1	19	12	7A				RECORD CURRENT DRIVER CH 25..32	J12	1.862.716.00
			1	19	42	11				RECORD CURRENT CH 25..32	P42	54.14.2003
			1	21	7	11				RECORD CURRENT CH 25..32	P07	54.14.2003
A-RDC+29			1	19	12	6A				RECORD CURRENT DRIVER CH 25..32	J12	1.862.716.00
			1	19	42	13				RECORD CURRENT CH 25..32	P42	54.14.2003
			1	21	7	13				RECORD CURRENT CH 25..32	P07	54.14.2003
A-RDC+30			1	19	12	4A				RECORD CURRENT DRIVER CH 25..32	J12	1.862.716.00
			1	19	42	17				RECORD CURRENT CH 25..32	P42	54.14.2003
			1	21	7	17				RECORD CURRENT CH 25..32	P07	54.14.2003
A-RDC+31			1	19	12	3A				RECORD CURRENT DRIVER CH 25..32	J12	1.862.716.00
			1	19	42	19				RECORD CURRENT CH 25..32	P42	54.14.2003
			1	21	7	19				RECORD CURRENT CH 25..32	P07	54.14.2003
A-RDC+32			1	19	12	1A				RECORD CURRENT DRIVER CH 25..32	J12	1.862.716.00
			1	19	42	23				RECORD CURRENT CH 25..32	P42	54.14.2003
			1	21	7	23				RECORD CURRENT CH 25..32	P07	54.14.2003
A-RDC+33			1	19	13	12A				RECORD CURRENT DRIVER CH 33..40	J13	1.862.716.00
			1	19	43	1				RECORD CURRENT CH 33..40	P43	54.14.2003
			1	21	8	1				RECORD CURRENT CH 33..40	P08	54.14.2003
A-RDC+34			1	19	13	10A				RECORD CURRENT DRIVER CH 33..40	J13	1.862.716.00
			1	19	43	5				RECORD CURRENT CH 33..40	P43	54.14.2003
			1	21	8	5				RECORD CURRENT CH 33..40	P08	54.14.2003
A-RDC+35			1	19	13	9A				RECORD CURRENT DRIVER CH 33..40	J13	1.862.716.00
			1	19	43	7				RECORD CURRENT CH 33..40	P43	54.14.2003
			1	21	8	7				RECORD CURRENT CH 33..40	P08	54.14.2003
A-RDC+36			1	19	13	7A				RECORD CURRENT DRIVER CH 33..40	J13	1.862.716.00
			1	19	43	11				RECORD CURRENT CH 33..40	P43	54.14.2003
			1	21	8	11				RECORD CURRENT CH 33..40	P08	54.14.2003
A-RDC+37			1	19	13	6A				RECORD CURRENT DRIVER CH 33..40	J13	1.862.716.00
			1	19	43	15				RECORD CURRENT CH 33..40	P43	54.14.2003
			1	21	8	15				RECORD CURRENT CH 33..40	P08	54.14.2003
A-RDC+38			1	19	13	4A				RECORD CURRENT DRIVER CH 33..40	J13	1.862.716.00
			1	19	43	17				RECORD CURRENT CH 33..40	P43	54.14.2003
			1	21	8	17				RECORD CURRENT CH 33..40	P08	54.14.2003

STUDER D820 MCH

 * STUDER REVOX AG * S I G N A L W I R E L I S T * 91/02/19 * 11:24 * P A G E 320 *

 * 1.862.010.00 D820-48 PCM TAPE - RECORDER * 90/03/21 - 00 *

SIGNAL NAME	COLOR	MI	ASY	GRP	ELM	PNT	S	LV	TYPE	DESCRIPTION OF ELEMENT	REMARK	ELEMENT NR.
A-RDC+39			1	19	13	3A				RECORD CURRENT DRIVER CH 33..40	J13	1.862.716.00
			1	19	43	19				RECORD CURRENT CH 33..40	P43	54.14.2003
			1	21	8	19				RECORD CURRENT CH 33..40	P08	54.14.2003
A-RDC+40			1	19	13	1A				RECORD CURRENT DRIVER CH 33..40	J13	1.862.716.00
			1	19	43	23				RECORD CURRENT CH 33..40	P43	54.14.2003
			1	21	8	23				RECORD CURRENT CH 33..40	P08	54.14.2003
A-RDC+41			1	19	14	12A				RECORD CURRENT DRIVER CH 41..48	J14	1.862.716.00
			1	19	44	1				RECORD CURRENT CH 41..48	P44	54.14.2003
			1	21	9	1				RECORD CURRENT CH 41..48	P09	54.14.2003
A-RDC+42			1	19	14	10A				RECORD CURRENT DRIVER CH 41..48	J14	1.862.716.00
			1	19	44	5				RECORD CURRENT CH 41..48	P44	54.14.2003
			1	21	9	5				RECORD CURRENT CH 41..48	P09	54.14.2003
A-RDC+43			1	19	14	9A				RECORD CURRENT DRIVER CH 41..48	J14	1.862.716.00
			1	19	44	7				RECORD CURRENT CH 41..48	P44	54.14.2003
			1	21	9	7				RECORD CURRENT CH 41..48	P09	54.14.2003
A-RDC+44			1	19	14	7A				RECORD CURRENT DRIVER CH 41..48	J14	1.862.716.00
			1	19	44	11				RECORD CURRENT CH 41..48	P44	54.14.2003
			1	21	9	11				RECORD CURRENT CH 41..48	P09	54.14.2003
A-RDC+45			1	19	14	6A				RECORD CURRENT DRIVER CH 41..48	J14	1.862.716.00
			1	19	44	13				RECORD CURRENT CH 41..48	P44	54.14.2003
			1	21	9	13				RECORD CURRENT CH 41..48	P09	54.14.2003
A-RDC+46			1	19	14	4A				RECORD CURRENT DRIVER CH 41..48	J14	1.862.716.00
			1	19	44	17				RECORD CURRENT CH 41..48	P44	54.14.2003
			1	21	9	17				RECORD CURRENT CH 41..48	P09	54.14.2003
A-RDC+47			1	19	14	3A				RECORD CURRENT DRIVER CH 41..48	J14	1.862.716.00
			1	19	44	19				RECORD CURRENT CH 41..48	P44	54.14.2003
			1	21	9	19				RECORD CURRENT CH 41..48	P09	54.14.2003
A-RDC+48			1	19	14	1A				RECORD CURRENT DRIVER CH 41..48	J14	1.862.716.00
			1	19	44	23				RECORD CURRENT CH 41..48	P44	54.14.2003
			1	21	9	23				RECORD CURRENT CH 41..48	P09	54.14.2003
A-RDC-C1			1	19	6	6B				CURRENT DRIVER (RT,TC,CUE 1/2)	J06	1.862.716.00
			1	19	36	2				RECORD CURRENT RT/TC/CUE	P36	54.14.2002
			1	21	3	2				RECORD CURRENT RT/TC/CUE	P03	54.14.2002
A-RDC-C2			1	19	6	4B				CURRENT DRIVER (RT,TC,CUE 1/2)	J06	1.862.716.00
			1	19	36	6				RECORD CURRENT RT/TC/CUE	P36	54.14.2002
			1	21	3	6				RECORD CURRENT RT/TC/CUE	P03	54.14.2002
A-RDC-RT			1	19	6	3B				CURRENT DRIVER (RT,TC,CUE 1/2)	J06	1.862.716.00
			1	19	36	8				RECORD CURRENT RT/TC/CUE	P36	54.14.2002
			1	21	3	8				RECORD CURRENT RT/TC/CUE	P03	54.14.2002
A-RDC-TC			1	19	6	1B				CURRENT DRIVER (RT,TC,CUE 1/2)	J06	1.862.716.00
			1	19	36	12				RECORD CURRENT RT/TC/CUE	P36	54.14.2002
			1	21	3	12				RECORD CURRENT RT/TC/CUE	P03	54.14.2002

 * STUDER REVOX AG * S I G N A L W I R E L I S T * 91/02/19 * 11:24 * P A G E 321 *
 * 1.862.010.00 D820-48 PCM TAPE - RECORDER * 90/03/21 - 00 *

SIGNAL NAME	COLOR	MI	ASY	GRP	ELM	PNT	S	LV	TYPE	DESCRIPTION OF ELEMENT	REMARK	ELEMENT NR.
A-RDC-01			1	19	9	12B				RECORD CURRENT DRIVER CH 1..8	J09	1.862.716.00
			1	19	39	2				RECORD CURRENT CH 1..8	P39	54.14.2003
			1	21	4	2				RECORD CURRENT CH 1..8	P04	54.14.2003
A-RDC-02			1	19	9	10B				RECORD CURRENT DRIVER CH 1..8	J09	1.862.716.00
			1	19	39	6				RECORD CURRENT CH 1..8	P39	54.14.2003
			1	21	4	6				RECORD CURRENT CH 1..8	P04	54.14.2003
A-RDC-03			1	19	9	9B				RECORD CURRENT DRIVER CH 1..8	J09	1.862.716.00
			1	19	39	8				RECORD CURRENT CH 1..8	P39	54.14.2003
			1	21	4	8				RECORD CURRENT CH 1..8	P04	54.14.2003
A-RDC-04			1	19	9	7B				RECORD CURRENT DRIVER CH 1..8	J09	1.862.716.00
			1	19	39	12				RECORD CURRENT CH 1..8	P39	54.14.2003
			1	21	4	12				RECORD CURRENT CH 1..8	P04	54.14.2003
A-RDC-05			1	19	9	6B				RECORD CURRENT DRIVER CH 1..8	J09	1.862.716.00
			1	19	39	14				RECORD CURRENT CH 1..8	P39	54.14.2003
			1	21	4	14				RECORD CURRENT CH 1..8	P04	54.14.2003
A-RDC-06			1	19	9	4B				RECORD CURRENT DRIVER CH 1..8	J09	1.862.716.00
			1	19	39	18				RECORD CURRENT CH 1..8	P39	54.14.2003
			1	21	4	18				RECORD CURRENT CH 1..8	P04	54.14.2003
A-RDC-07			1	19	9	3B				RECORD CURRENT DRIVER CH 1..8	J09	1.862.716.00
			1	19	39	20				RECORD CURRENT CH 1..8	P39	54.14.2003
			1	21	4	20				RECORD CURRENT CH 1..8	P04	54.14.2003
A-RDC-08			1	19	9	1B				RECORD CURRENT DRIVER CH 1..8	J09	1.862.716.00
			1	19	39	24				RECORD CURRENT CH 1..8	P39	54.14.2003
			1	21	4	24				RECORD CURRENT CH 1..8	P04	54.14.2003
A-RDC-09			1	19	10	12B				RECORD CURRENT DRIVER CH 9..16	J10	1.862.716.00
			1	19	40	2				RECORD CURRENT CH 9..16	P40	54.14.2003
			1	21	5	2				RECORD CURRENT CH 9..16	P05	54.14.2003
A-RDC-10			1	19	10	10B				RECORD CURRENT DRIVER CH 9..16	J10	1.862.716.00
			1	19	40	6				RECORD CURRENT CH 9..16	P40	54.14.2003
			1	21	5	6				RECORD CURRENT CH 9..16	P05	54.14.2003
A-RDC-11			1	19	10	9B				RECORD CURRENT DRIVER CH 9..16	J10	1.862.716.00
			1	19	40	8				RECORD CURRENT CH 9..16	P40	54.14.2003
			1	21	5	8				RECORD CURRENT CH 9..16	P05	54.14.2003
A-RDC-12			1	19	10	7B				RECORD CURRENT DRIVER CH 9..16	J10	1.862.716.00
			1	19	40	12				RECORD CURRENT CH 9..16	P40	54.14.2003
			1	21	5	12				RECORD CURRENT CH 9..16	P05	54.14.2003
A-RDC-13			1	19	10	6B				RECORD CURRENT DRIVER CH 9..16	J10	1.862.716.00
			1	19	40	14				RECORD CURRENT CH 9..16	P40	54.14.2003
			1	21	5	14				RECORD CURRENT CH 9..16	P05	54.14.2003
A-RDC-14			1	19	10	4B				RECORD CURRENT DRIVER CH 9..16	J10	1.862.716.00
			1	19	40	18				RECORD CURRENT CH 9..16	P40	54.14.2003
			1	21	5	18				RECORD CURRENT CH 9..16	P05	54.14.2003

STUDER D820 MCH

 * STUDER REVOX AG * S I G N A L W I R E L I S T * 91/02/19 * 11:24 * P A G E 322 *

 * 1.862.010.00 D820-48 PCM TAPE - RECORDER * 90/03/21 - 00 *

SIGNAL NAME	COLOR	MI	ASY	GRP	ELM	PNT	S	LV	TYPE	DESCRIPTION OF ELEMENT	REMARK	ELEMENT NR.
A-RDC-15			1	19	10	3B				RECORD CURRENT DRIVER CH 9..16	J10	1.862.716.00
						20				RECORD CURRENT CH 9..16	P40	54.14.2003
						21				RECORD CURRENT CH 9..16	P05	54.14.2003
A-RDC-16			1	19	10	1B				RECORD CURRENT DRIVER CH 9..16	J10	1.862.716.00
						24				RECORD CURRENT CH 9..16	P40	54.14.2003
						21				RECORD CURRENT CH 9..16	P05	54.14.2003
A-RDC-17			1	19	11	12B				RECORD CURRENT DRIVER CH 17..24	J11	1.862.716.00
						2				RECORD CURRENT CH 17..24	P41	54.14.2003
						21				RECORD CURRENT CH 17..24	P06	54.14.2003
A-RDC-18			1	19	11	10B				RECORD CURRENT DRIVER CH 17..24	J11	1.862.716.00
						6				RECORD CURRENT CH 17..24	P41	54.14.2003
						21				RECORD CURRENT CH 17..24	P06	54.14.2003
A-RDC-19			1	19	11	9B				RECORD CURRENT DRIVER CH 17..24	J11	1.862.716.00
						8				RECORD CURRENT CH 17..24	P41	54.14.2003
						21				RECORD CURRENT CH 17..24	P06	54.14.2003
A-RDC-20			1	19	11	7B				RECORD CURRENT DRIVER CH 17..24	J11	1.862.716.00
						12				RECORD CURRENT CH 17..24	P41	54.14.2003
						21				RECORD CURRENT CH 17..24	P06	54.14.2003
A-RDC-21			1	19	11	6B				RECORD CURRENT DRIVER CH 17..24	J11	1.862.716.00
						14				RECORD CURRENT CH 17..24	P41	54.14.2003
						21				RECORD CURRENT CH 17..24	P06	54.14.2003
A-RDC-22			1	19	11	4B				RECORD CURRENT DRIVER CH 17..24	J11	1.862.716.00
						18				RECORD CURRENT CH 17..24	P41	54.14.2003
						21				RECORD CURRENT CH 17..24	P06	54.14.2003
A-RDC-23			1	19	11	3B				RECORD CURRENT DRIVER CH 17..24	J11	1.862.716.00
						20				RECORD CURRENT CH 17..24	P41	54.14.2003
						21				RECORD CURRENT CH 17..24	P06	54.14.2003
A-RDC-24			1	19	11	1B				RECORD CURRENT DRIVER CH 17..24	J11	1.862.716.00
						24				RECORD CURRENT CH 17..24	P41	54.14.2003
						21				RECORD CURRENT CH 17..24	P06	54.14.2003
A-RDC-25			1	19	12	12B				RECORD CURRENT DRIVER CH 25..32	J12	1.862.716.00
						2				RECORD CURRENT CH 25..32	P42	54.14.2003
						21				RECORD CURRENT CH 25..32	P07	54.14.2003
A-RDC-26			1	19	12	10B				RECORD CURRENT DRIVER CH 25..32	J12	1.862.716.00
						6				RECORD CURRENT CH 25..32	P42	54.14.2003
						21				RECORD CURRENT CH 25..32	P07	54.14.2003
A-RDC-27			1	19	12	9B				RECORD CURRENT DRIVER CH 25..32	J12	1.862.716.00
						8				RECORD CURRENT CH 25..32	P42	54.14.2003
						21				RECORD CURRENT CH 25..32	P07	54.14.2003
A-RDC-28			1	19	12	7B				RECORD CURRENT DRIVER CH 25..32	J12	1.862.716.00
						12				RECORD CURRENT CH 25..32	P42	54.14.2003
						21				RECORD CURRENT CH 25..32	P07	54.14.2003

 * STUDER REVOX AG * S I G N A L W I R E L I S T * 91/02/19 * 11:24 * P A G E 329 *

 * 1.862.010.00 D820-48 PCM TAPE - RECORDER * 90/03/21 - 00 *

SIGNAL NAME	COLOR	MI	ASY	GRP	ELM	PNT	S	LV	TYPE	DESCRIPTION OF ELEMENT	REMARK	ELEMENT NR.
ACH4			6A	2	1C	21C				DP KEY DETECTION	AUX DISPLAYP.	1.862.812.00
ACH5			6A	2	1B	22B				DP KEY DETECTION	AUX DISPLAYP.	1.862.812.00
ACH6			6A	2	1B	21B				DP KEY DETECTION	AUX DISPLAYP.	1.862.812.00
ACH7			6A	2	1B	20B				DP KEY DETECTION	AUX DISPLAYP.	1.862.812.00
ACH8			6A	2	1B	19B				DP KEY DETECTION	AUX DISPLAYP.	1.862.812.00
AC4-R1			7	4	2	2A				SECONDARY DISTRIBUTOR RECTIFIER		70.01.0232
AC4-R2			7	4	2	3A				SECONDARY DISTRIBUTOR RECTIFIER		70.01.0232
AC4-R3			7	4	2	4A				SECONDARY DISTRIBUTOR RECTIFIER		70.01.0232
AC4-R4			7	4	2	5A				SECONDARY DISTRIBUTOR RECTIFIER		70.01.0232
AC5-R1			7	5	2	2A				SECONDARY DISTRIBUTOR RECTIFIER		70.01.0232
AC5-R2			7	5	2	3A				SECONDARY DISTRIBUTOR RECTIFIER		70.01.0232
AC5-R3			7	5	2	4A				SECONDARY DISTRIBUTOR RECTIFIER		70.01.0232
AC5-R4			7	9	4	2				RECTIFIER		70.01.0232
AC5-R5			7	5	2	5A				SECONDARY DISTRIBUTOR		
AC6-R1			7	6	2	2A				SECONDARY DISTRIBUTOR RECTIFIER		70.01.0232
AC6-R2			7	6	2	3A				SECONDARY DISTRIBUTOR RECTIFIER		70.01.0232
AC6-R3			7	6	2	4A				SECONDARY DISTRIBUTOR RECTIFIER		70.01.0232
AC6-R4			7	6	2	5A				SECONDARY DISTRIBUTOR RECTIFIER		70.01.0232
AC7-R1			7	7	2	2A				SECONDARY DISTRIBUTOR RECTIFIER		70.01.0232
AC7-R2			7	7	2	3A				SECONDARY DISTRIBUTOR RECTIFIER		70.01.0232
AC7-R3			7	7	2	4A				SECONDARY DISTRIBUTOR RECTIFIER		70.01.0232

STUDER D820 MCH

* STUDER REVOX AG * S I G N A L W I R E L I S T * 91/02/19 * 11:24 * PAGE 341 *

* 1.862.010.00 D820-48 PCM TAPE - RECORDER * 90/03/21 - 00 *****

Table with columns: SIGNAL NAME, COLOR, MI, ASY, GRP, ELM, PNT, S, LV, TYPE, DESCRIPTION OF ELEMENT, REMARK, ELEMENT NR. Rows include CK-IMCK, CK-IMCK1, CK-IMCK2, and CK-IRES1.

* STUDER REVOX AG * S I G N A L W I R E L I S T * 91/02/19 * 11:24 * PAGE 342 *

* 1.862.010.00 D820-48 PCM TAPE - RECORDER * 90/03/21 - 00 *****

Table with columns: SIGNAL NAME, COLOR, MI, ASY, GRP, ELM, PNT, S, LV, TYPE, DESCRIPTION OF ELEMENT, REMARK, ELEMENT NR. Rows include CK-IRFXT, CK-ISSY, CK-MCK, CK-MCKS, CK-MCK1, and CK-MCK2.

STUDER D820 MCH

* STUDER REVOX AG * S I G N A L W I R E L I S T * 91/02/19 * 11:24 * P A G E 345 *
* 1.862.010.00 D820-48 PCM TAPE - RECORDER * 90/03/21 00 *****

Table with columns: SIGNAL NAME, COLOR, MI, ASY, GRP, ELM, PNT, S, LV, TYPE, DESCRIPTION OF ELEMENT, REMARK, ELEMENT NR. Contains data for CK-MCLKO, CK-MKOGN, CK-MK01, CK-MK02, CK-MSYNC.

* STUDER REVOX AG * S I G N A L W I R E L I S T * 91/02/19 * 11:24 * P A G E 346 *
* 1.862.010.00 D820-48 PCM TAPE - RECORDER * 90/03/21 - 00 *****

Table with columns: SIGNAL NAME, COLOR, MI, ASY, GRP, ELM, PNT, S, LV, TYPE, DESCRIPTION OF ELEMENT, REMARK, ELEMENT NR. Contains data for CK-MSYNC, CKIDFCK1, CKIDFCK2.

STUDER D820 MCH

* STUDER REVOX AG * S I G N A L W I R E L I S T * 91/02/19 * 11:24 * PAGE 349 *
***** 1.862.010.00 D820-48 PCM TAPE - RECORDER * 90/03/21 - 00 *****

Table with columns: SIGNAL NAME, COLOR, MI, ASY GRP, ELM PNT, S, LV, TYPE, DESCRIPTION OF ELEMENT, REMARK, ELEMENT NR. Contains entries for CO-AIN13 through CO-AIN23.

* STUDER REVOX AG * S I G N A L W I R E L I S T * 91/02/19 * 11:24 * PAGE 350 *
***** 1.862.010.00 D820-48 PCM TAPE - RECORDER * 90/03/21 - 00 *****

Table with columns: SIGNAL NAME, COLOR, MI, ASY GRP, ELM PNT, S, LV, TYPE, DESCRIPTION OF ELEMENT, REMARK, ELEMENT NR. Contains entries for CO-AIN24 through CO-AIN34.

STUDER D820 MCH

* STUDER REVOX AG * S I G N A L W I R E L I S T * 91/02/19 * 11:24 * P A G E 369 *
* 1.862.010.00 D820-48 PCM TAPE - RECORDER * 90/03/21 - 00 *

Table with columns: SIGNAL NAME, COLOR, MI, ASY, GRP, ELM, PNT, S, LV, TYPE, DESCRIPTION OF ELEMENT, REMARK, ELEMENT NR. Rows include CP-FD1 through CP-FD7 and CP-FIACK.

* STUDER REVOX AG * S I G N A L W I R E L I S T * 91/02/19 * 11:24 * P A G E 370 *
* 1.862.010.00 D820-48 PCM TAPE - RECORDER * 90/03/21 - 00 *

Table with columns: SIGNAL NAME, COLOR, MI, ASY, GRP, ELM, PNT, S, LV, TYPE, DESCRIPTION OF ELEMENT, REMARK, ELEMENT NR. Rows include CP-FIEO, CP-FINT, CP-FRD, CP-FWR, CP-RESET.

* STUDER REVOX AG * S I G N A L W I R E L I S T * 91/02/19 * 11:24 * P A G E 379 *
***** 1.862.010.00 D820-48 PCM TAPE - RECORDER ***** * 90/03/21 - 00 *****

Table with columns: SIGNAL NAME, COLOR, MI, ASY, GRP, ELM, PNT, S, LV, TYPE, DESCRIPTION OF ELEMENT, REMARK, ELEMENT NR. Rows include DA-OUT32 to DA-OUT42.

***** STUDER REVOX AG * S I G N A L W I R E L I S T * 91/02/19 * 11:24 * P A G E 380 *
***** 1.862.010.00 D820-48 PCM TAPE - RECORDER ***** * 90/03/21 - 00 *****

Table with columns: SIGNAL NAME, COLOR, MI, ASY, GRP, ELM, PNT, S, LV, TYPE, DESCRIPTION OF ELEMENT, REMARK, ELEMENT NR. Rows include DA-OUT43 to DAIOUT05.

STUDER D820 MCH

* STUDER REVOX AG * S I G N A L W I R E L I S T * 91/02/19 * 11:24 * P A G E 381 *

* 1.862.010.00 D820-48 PCM TAPE - RECORDER * 90/03/21 - 00 *

Table with columns: SIGNAL NAME, COLOR, MI, ASY, GRP, ELM, PNT, S, LV, TYPE, DESCRIPTION OF ELEMENT, REMARK, ELEMENT NR. Rows include DAIOUT06 through DAIOUT16.

* STUDER REVOX AG * S I G N A L W I R E L I S T * 91/02/19 * 11:24 * P A G E 382 *

* 1.862.010.00 D820-48 PCM TAPE - RECORDER * 90/03/21 - 00 *

Table with columns: SIGNAL NAME, COLOR, MI, ASY, GRP, ELM, PNT, S, LV, TYPE, DESCRIPTION OF ELEMENT, REMARK, ELEMENT NR. Rows include DAIOUT17 through DAIOUT27.

* STUDER REVOX AG * S I G N A L W I R E L I S T * 91/02/19 * 11:24 * P A G E 387 *
* 1.862.010.00 D820-48 PCM TAPE - RECORDER * 90/03/21 - 00 *

Table with columns: SIGNAL NAME, COLOR, MI, ASY, GRP, ELM, PNT, S, LV, TYPE, DESCRIPTION OF ELEMENT, REMARK, ELEMENT NR. Rows include ERH-C2, ERH-RT, ERH-TC, ERL-C1, ERL-C2, ERL-RT, ERL-TC, FAD1, FAD2.

* STUDER REVOX AG * S I G N A L W I R E L I S T * 91/02/19 * 11:24 * P A G E 388 *
* 1.862.010.00 D820-48 PCM TAPE - RECORDER * 90/03/21 - 00 *

Table with columns: SIGNAL NAME, COLOR, MI, ASY, GRP, ELM, PNT, S, LV, TYPE, DESCRIPTION OF ELEMENT, REMARK, ELEMENT NR. Rows include GND, 0, 0, 0.

STUDER D820 MCH

```

*****
*   STUDER REVOX AG *   S I G N A L   W I R E   L I S T   * 91/02/19 * 11:24 * P A G E 395 *
*****
*   1.862.010.00 D820-48 PCM TAPE - RECORDER   * 90/03/21 00 *
*****
  
```

SIGNAL NAME	COLOR	MI	ASY GRP	ELM	PNT	S	LV	TYPE	DESCRIPTION OF ELEMENT	REMARK	ELEMENT NR.
<<-- CONT.OF			3A	1S	51A	2A			P01 REFERENCE TRACK	BACKP.AS1	1.862.657.00
GND			3A	1S	51A	20A			P01 REFERENCE TRACK	BACKP.AS1	1.862.657.00
			3A	1S	51B	1B			P01 REFERENCE TRACK	BACKP.AS1	1.862.657.00
			3A	1S	51B	2B			P01 REFERENCE TRACK	BACKP.AS1	1.862.657.00
			3A	1S	51B	20B			P01 REFERENCE TRACK	BACKP.AS1	1.862.657.00
			3A	1S	51C	1C			P01 REFERENCE TRACK	BACKP.AS1	1.862.657.00
			3A	1S	51C	2C			P01 REFERENCE TRACK	BACKP.AS1	1.862.657.00
			3A	1S	51C	20C			P01 REFERENCE TRACK	BACKP.AS1	1.862.657.00
			3A	1S	52A	1A			P02 REFERENCE TRACK	BACKP.AS1	1.862.657.00
			3A	1S	52A	2A			P02 REFERENCE TRACK	BACKP.AS1	1.862.657.00
			3A	1S	52B	1B			P02 REFERENCE TRACK	BACKP.AS1	1.862.657.00
			3A	1S	52B	2B			P02 REFERENCE TRACK	BACKP.AS1	1.862.657.00
			3A	1S	52C	1C			P02 REFERENCE TRACK	BACKP.AS1	1.862.657.00
			3A	1S	52C	2C			P02 REFERENCE TRACK	BACKP.AS1	1.862.657.00
			3A	10S	10	1			CUE HEADPHONE OUT	BACKP.AS1	
			3A	10S	10	3			CUE HEADPHONE OUT	BACKP.AS1	
			3A	10S	10	5			CUE HEADPHONE OUT	BACKP.AS1	
			3A	10S	10	7			CUE HEADPHONE OUT	BACKP.AS1	
			3A	10S	10	10			CUE HEADPHONE OUT	BACKP.AS1	
			3A	10S	11	3			CUE IN/OUT	BACKP.AS1	
			3A	10S	11	4			CUE IN/OUT	BACKP.AS1	
			3A	10S	11	7			CUE IN/OUT	BACKP.AS1	
			3A	10S	11	8			CUE IN/OUT	BACKP.AS1	
			3A	10S	11	11			CUE IN/OUT	BACKP.AS1	
			3A	10S	11	12			CUE IN/OUT	BACKP.AS1	
			3A	10S	11	15			CUE IN/OUT	BACKP.AS1	
			3A	10S	11	16			CUE IN/OUT	BACKP.AS1	
			3A	10S	16	1			FIFO-BUS TERMINATION	BACKP.AS1	
			3A	10S	17	1			FIFO-BUS TERMINATION	BACKP.AS1	
			3A	10S	18	1			FIFO-BUS TERMINATION	BACKP.AS1	
			3A	10S	19	1			FIFO-BUS TERMINATION	BACKP.AS1	
			3A	10S	21	1			PIF TDC-BUS	BACKP.AS1	
			3A	10S	21	2			PIF TDC-BUS	BACKP.AS1	
			3A	10S	21	20			PIF TDC-BUS	BACKP.AS1	
			3A	10S	21	22			PIF TDC-BUS	BACKP.AS1	
			3A	10S	21	24			PIF TDC-BUS	BACKP.AS1	
			3A	10S	21	26			PIF TDC-BUS	BACKP.AS1	
			3A	10S	21	28			PIF TDC-BUS	BACKP.AS1	
			3A	10S	21	30			PIF TDC-BUS	BACKP.AS1	
			3A	10S	21	32			PIF TDC-BUS	BACKP.AS1	
			3A	10S	21	34			PIF TDC-BUS	BACKP.AS1	
			3A	10S	21	36			PIF TDC-BUS	BACKP.AS1	
			3A	10S	21	38			PIF TDC-BUS	BACKP.AS1	
			3A	10S	21	40			PIF TDC-BUS	BACKP.AS1	
			3A	10S	46	1			FIFO-BUS TERMINATION	BACKP.AS1	
			3A	10S	47	1			FIFO-BUS TERMINATION	BACKP.AS1	
			3A	10S	48	1			FIFO-BUS TERMINATION	BACKP.AS1	
			3A	10S	49	1			FIFO-BUS TERMINATION	BACKP.AS1	
			3A	10S	61E	2D			P01 18V CONVERTER NEG	BACKP.AS1	1.862.600.00
			3A	10S	62A	18Z			P02 18V CONVERTER NEG	BACKP.AS1	1.862.600.00
			3A	10S	62A	20Z			P02 18V CONVERTER NEG	BACKP.AS1	1.862.600.00
			3A	10S	62A	22Z			P02 18V CONVERTER NEG	BACKP.AS1	1.862.600.00
			3A	10S	62A	24Z			P02 18V CONVERTER NEG	BACKP.AS1	1.862.600.00
			3A	10S	62C	18B			P02 18V CONVERTER NEG	BACKP.AS1	1.862.600.00

```

*****
*   STUDER REVOX AG *   S I G N A L   W I R E   L I S T   * 91/02/19 * 11:24 * P A G E 394 *
*****
*   1.862.010.00 D820-48 PCM TAPE - RECORDER   * 90/03/21 00 *
*****
  
```

SIGNAL NAME	COLOR	MI	ASY GRP	ELM	PNT	S	LV	TYPE	DESCRIPTION OF ELEMENT	REMARK	ELEMENT NR.
<<-- CONT.OF			3A	10S	62C	20B			P02 18V CONVERTER NEG	BACKP.AS1	1.862.600.00
GND			3A	10S	62C	22B			P02 18V CONVERTER NEG	BACKP.AS1	1.862.600.00
			3A	10S	62C	24B			P02 18V CONVERTER NEG	BACKP.AS1	1.862.600.00
			3A	10S	62E	18D			P02 18V CONVERTER NEG	BACKP.AS1	1.862.600.00
			3A	10S	62E	20D			P02 18V CONVERTER NEG	BACKP.AS1	1.862.600.00
			3A	10S	62E	22D			P02 18V CONVERTER NEG	BACKP.AS1	1.862.600.00
			3A	10S	62E	24D			P02 18V CONVERTER NEG	BACKP.AS1	1.862.600.00
			3A	10S	62E	30D			P02 18V CONVERTER NEG	BACKP.AS1	1.862.600.00
			3A	10S	80	1			POWER TERMINAL GND	BACKP.AS1	
			3A	10S	81	1			POWER TERMINAL GND	BACKP.AS1	
			3A	11	21	3			DA OUT A-GR.1/CH 3, 4, 7, 8	BACKP.AS1	
			3A	11	21	4			DA OUT A-GR.1/CH 3, 4, 7, 8	BACKP.AS1	
			3A	11	21	7			DA OUT A-GR.1/CH 3, 4, 7, 8	BACKP.AS1	
			3A	11	21	8			DA OUT A-GR.1/CH 3, 4, 7, 8	BACKP.AS1	
			3A	11	21	11			DA OUT A-GR.1/CH 3, 4, 7, 8	BACKP.AS1	
			3A	11	21	12			DA OUT A-GR.1/CH 3, 4, 7, 8	BACKP.AS1	
			3A	11	21	15			DA OUT A-GR.1/CH 3, 4, 7, 8	BACKP.AS1	
			3A	11	21	16			DA OUT A-GR.1/CH 3, 4, 7, 8	BACKP.AS1	
			3A	11	22	3			DA OUT A-GR.1/CH 1, 2, 5, 6	BACKP.AS1	
			3A	11	22	4			DA OUT A-GR.1/CH 1, 2, 5, 6	BACKP.AS1	
			3A	11	22	7			DA OUT A-GR.1/CH 1, 2, 5, 6	BACKP.AS1	
			3A	11	22	8			DA OUT A-GR.1/CH 1, 2, 5, 6	BACKP.AS1	
			3A	11	22	11			DA OUT A-GR.1/CH 1, 2, 5, 6	BACKP.AS1	
			3A	11	22	12			DA OUT A-GR.1/CH 1, 2, 5, 6	BACKP.AS1	
			3A	11	22	15			DA OUT A-GR.1/CH 1, 2, 5, 6	BACKP.AS1	
			3A	11	22	16			DA OUT A-GR.1/CH 1, 2, 5, 6	BACKP.AS1	
			3A	11	31	1			AD IN A-GR.1/CHANNEL 5-8	BACKP.AS1	
			3A	11	31	2			AD IN A-GR.1/CHANNEL 5-8	BACKP.AS1	
			3A	11	31	5			AD IN A-GR.1/CHANNEL 5-8	BACKP.AS1	
			3A	11	31	6			AD IN A-GR.1/CHANNEL 5-8	BACKP.AS1	
			3A	11	31	9			AD IN A-GR.1/CHANNEL 5-8	BACKP.AS1	
			3A	11	31	10			AD IN A-GR.1/CHANNEL 5-8	BACKP.AS1	
			3A	11	31	13			AD IN A-GR.1/CHANNEL 5-8	BACKP.AS1	
			3A	11	31	14			AD IN A-GR.1/CHANNEL 5-8	BACKP.AS1	
			3A	11	32	1			AD IN A-GR.1/CHANNEL 1-4	BACKP.AS1	
			3A	11	32	2			AD IN A-GR.1/CHANNEL 1-4	BACKP.AS1	
			3A	11	32	5			AD IN A-GR.1/CHANNEL 1-4	BACKP.AS1	
			3A	11	32	6			AD IN A-GR.1/CHANNEL 1-4	BACKP.AS1	
			3A	11	32	9			AD IN A-GR.1/CHANNEL 1-4	BACKP.AS1	
			3A	11	32	10			AD IN A-GR.1/CHANNEL 1-4	BACKP.AS1	
			3A	11	32	13			AD IN A-GR.1/CHANNEL 1-4	BACKP.AS1	
			3A	11	32	14			AD IN A-GR.1/CHANNEL 1-4	BACKP.AS1	
			3A	11	80	1			POWER TERMINAL GND	BACKP.AS1	
			3A	11	81	1			POWER TERMINAL GND	BACKP.AS1	
			3A	11	82	1			POWER TERMINAL GND	BACKP.AS1	
			3A	11	83	1			POWER TERMINAL GND	BACKP.AS1	
			3B	2	11A	1A			P01 MAPRO A-GR2 (CH 09-16)	BACKP.AA1	1.862.652.00
			3B	2	11A	2A			P01 MAPRO A-GR2 (CH 09-16)	BACKP.AA1	1.862.652.00
			3B	2	11A	20A			P01 MAPRO A-GR2 (CH 09-16)	BACKP.AA1	1.862.652.00
			3B	2	11B	1B			P01 MAPRO A-GR2 (CH 09-16)	BACKP.AA1	1.862.652.00
			3B	2	11B	2B			P01 MAPRO A-GR2 (CH 09-16)	BACKP.AA1	1.862.652.00
			3B	2	11B	20B			P01 MAPRO A-GR2 (CH 09-16)	BACKP.AA1	1.862.652.00
			3B	2	11C	1C			P01 MAPRO A-GR2 (CH 09-16)	BACKP.AA1	1.862.652.00
			3B	2	11C	2C			P01 MAPRO A-GR2 (CH 09-16)	BACKP.AA1	1.862.652.00

STUDER D820 MCH

***** STUDER REVOX AG * S I G N A L W I R E L I S T * 91/02/19 * 11:24 * PAGE 401 *
***** 1.862.010.00 D820-48 PCM TAPE - RECORDER * 90/03/21 - 00 *****

Table with columns: SIGNAL NAME, COLOR, MI, ASY GRP, ELM PNT, S LV, TYPE, DESCRIPTION OF ELEMENT, REMARK, ELEMENT NR. Contains wiring data for STUDER D820-48 PCM TAPE - RECORDER.

***** STUDER REVOX AG * S I G N A L W I R E L I S T * 91/02/19 * 11:24 * PAGE 402 *
***** 1.862.010.00 D820-48 PCM TAPE - RECORDER * 90/03/21 - 00 *****

Table with columns: SIGNAL NAME, COLOR, MI, ASY GRP, ELM PNT, S LV, TYPE, DESCRIPTION OF ELEMENT, REMARK, ELEMENT NR. Contains wiring data for STUDER D820-48 PCM TAPE - RECORDER.

 * STUDER REVOX AG * S I G N A L W I R E L I S T * 91/02/19 * 11:24 * P A G E 405 *
 * 1.862.010.00 D820-48 PCM TAPE - RECORDER * 90/03/21 - 00 *

SIGNAL NAME	COLOR	MI	ASY	GRP	ELM	PNT	S	LV	TYPE	DESCRIPTION OF ELEMENT	REMARK	ELEMENT NR.
<<<< CONT.OF			4A	2S	22A	1A				P02 PING-PONG	BACKP.AS2	1.862.662.00
GND			4A	2S	22A	2A				P02 PING-PONG	BACKP.AS2	1.862.662.00
			4A	2S	22B	1B				P02 PING-PONG	BACKP.AS2	1.862.662.00
			4A	2S	22B	2B				P02 PING-PONG	BACKP.AS2	1.862.662.00
			4A	2S	22C	1C				P02 PING-PONG	BACKP.AS2	1.862.662.00
			4A	2S	22C	2C				P02 PING-PONG	BACKP.AS2	1.862.662.00
			4A	2S	31A	1A				P01 MASTER I/O A (CH 01-24)	BACKP.AS2	1.862.663.00
			4A	2S	31A	2A				P01 MASTER I/O A (CH 01-24)	BACKP.AS2	1.862.663.00
			4A	2S	31B	1B				P01 MASTER I/O A (CH 01-24)	BACKP.AS2	1.862.663.00
			4A	2S	31B	2B				P01 MASTER I/O A (CH 01-24)	BACKP.AS2	1.862.663.00
			4A	2S	31C	1C				P01 MASTER I/O A (CH 01-24)	BACKP.AS2	1.862.663.00
			4A	2S	31C	2C				P01 MASTER I/O A (CH 01-24)	BACKP.AS2	1.862.663.00
			4A	2S	32A	1A				P02 MASTER I/O A (CH 01-24)	BACKP.AS2	1.862.663.00
			4A	2S	32A	2A				P02 MASTER I/O A (CH 01-24)	BACKP.AS2	1.862.663.00
			4A	2S	32B	1B				P02 MASTER I/O A (CH 01-24)	BACKP.AS2	1.862.663.00
			4A	2S	32B	2B				P02 MASTER I/O A (CH 01-24)	BACKP.AS2	1.862.663.00
			4A	2S	32B	11B				P02 MASTER I/O A (CH 01-24)	BACKP.AS2	1.862.663.00
			4A	2S	32C	1C				P02 MASTER I/O A (CH 01-24)	BACKP.AS2	1.862.663.00
			4A	2S	32C	2C				P02 MASTER I/O A (CH 01-24)	BACKP.AS2	1.862.663.00
			4A	2S	41A	1A				P01 MASTER I/O B (CH 25-48)	BACKP.AS2	1.862.663.00
			4A	2S	41A	2A				P01 MASTER I/O B (CH 25-48)	BACKP.AS2	1.862.663.00
			4A	2S	41B	1B				P01 MASTER I/O B (CH 25-48)	BACKP.AS2	1.862.663.00
			4A	2S	41B	2B				P01 MASTER I/O B (CH 25-48)	BACKP.AS2	1.862.663.00
			4A	2S	41C	1C				P01 MASTER I/O B (CH 25-48)	BACKP.AS2	1.862.663.00
			4A	2S	41C	2C				P01 MASTER I/O B (CH 25-48)	BACKP.AS2	1.862.663.00
			4A	2S	42A	1A				P02 MASTER I/O B (CH 25-48)	BACKP.AS2	1.862.663.00
			4A	2S	42A	2A				P02 MASTER I/O B (CH 25-48)	BACKP.AS2	1.862.663.00
			4A	2S	42B	1B				P02 MASTER I/O B (CH 25-48)	BACKP.AS2	1.862.663.00
			4A	2S	42B	2B				P02 MASTER I/O B (CH 25-48)	BACKP.AS2	1.862.663.00
			4A	2S	42C	1C				P02 MASTER I/O B (CH 25-48)	BACKP.AS2	1.862.663.00
			4A	2S	42C	2C				P02 MASTER I/O B (CH 25-48)	BACKP.AS2	1.862.663.00
			4A	2S	51A	1A				P01 AES-INTERFACE	BACKP.AS2	1.862.664.00
			4A	2S	51A	2A				P01 AES-INTERFACE	BACKP.AS2	1.862.664.00
			4A	2S	51A	20A				P01 AES-INTERFACE	BACKP.AS2	1.862.664.00
			4A	2S	51B	1B				P01 AES-INTERFACE	BACKP.AS2	1.862.664.00
			4A	2S	51B	2B				P01 AES-INTERFACE	BACKP.AS2	1.862.664.00
			4A	2S	51B	20B				P01 AES-INTERFACE	BACKP.AS2	1.862.664.00
			4A	2S	51C	1C				P01 AES-INTERFACE	BACKP.AS2	1.862.664.00
			4A	2S	51C	2C				P01 AES-INTERFACE	BACKP.AS2	1.862.664.00
			4A	2S	51C	20C				P01 AES-INTERFACE	BACKP.AS2	1.862.664.00
			4A	2S	52A	1A				P02 AES-INTERFACE	BACKP.AS2	1.862.664.00
			4A	2S	52A	2A				P02 AES-INTERFACE	BACKP.AS2	1.862.664.00
			4A	2S	52B	1B				P02 AES-INTERFACE	BACKP.AS2	1.862.664.00
			4A	2S	52B	2B				P02 AES-INTERFACE	BACKP.AS2	1.862.664.00
			4A	2S	52C	1C				P02 AES-INTERFACE	BACKP.AS2	1.862.664.00
			4A	2S	52C	2C				P02 AES-INTERFACE	BACKP.AS2	1.862.664.00
			4A	2S	52C	3C				P02 AES-INTERFACE	BACKP.AS2	1.862.664.00
			4A	2S	52C	4C				P02 AES-INTERFACE	BACKP.AS2	1.862.664.00
			4A	2S	52C	6C				P02 AES-INTERFACE	BACKP.AS2	1.862.664.00
			4A	2S	52C	7C				P02 AES-INTERFACE	BACKP.AS2	1.862.664.00
			4A	2S	52C	9C				P02 AES-INTERFACE	BACKP.AS2	1.862.664.00
			4A	2S	52C	10C				P02 AES-INTERFACE	BACKP.AS2	1.862.664.00
			4A	2S	61A	1A				P01 SOUND-MEMORY	BACKP.AS2	1.862.665.00
			4A	2S	61A	2A				P01 SOUND-MEMORY	BACKP.AS2	1.862.665.00

 * STUDER REVOX AG * S I G N A L W I R E L I S T * 91/02/19 * 11:24 * P A G E 404 *
 * 1.862.010.00 D820-48 PCM TAPE - RECORDER * 90/03/21 - 00 *

SIGNAL NAME	COLOR	MI	ASY	GRP	ELM	PNT	S	LV	TYPE	DESCRIPTION OF ELEMENT	REMARK	ELEMENT NR.
<<<< CONT.OF			4A	2S	61A	20A				P01 SOUND-MEMORY	BACKP.AS2	1.862.665.00
GND			4A	2S	61B	1B				P01 SOUND-MEMORY	BACKP.AS2	1.862.665.00
			4A	2S	61B	2B				P01 SOUND-MEMORY	BACKP.AS2	1.862.665.00
			4A	2S	61B	20B				P01 SOUND-MEMORY	BACKP.AS2	1.862.665.00
			4A	2S	61C	1C				P01 SOUND-MEMORY	BACKP.AS2	1.862.665.00
			4A	2S	61C	2C				P01 SOUND-MEMORY	BACKP.AS2	1.862.665.00
			4A	2S	61C	20C				P01 SOUND-MEMORY	BACKP.AS2	1.862.665.00
			4A	2S	62A	1A				P02 SOUND-MEMORY	BACKP.AS2	1.862.665.00
			4A	2S	62A	2A				P02 SOUND-MEMORY	BACKP.AS2	1.862.665.00
			4A	2S	62B	1B				P02 SOUND-MEMORY	BACKP.AS2	1.862.665.00
			4A	2S	62B	2B				P02 SOUND-MEMORY	BACKP.AS2	1.862.665.00
			4A	2S	62C	1C				P02 SOUND-MEMORY	BACKP.AS2	1.862.665.00
			4A	2S	62C	2C				P02 SOUND-MEMORY	BACKP.AS2	1.862.665.00
			4A	4	11A	1A				P01 MAPRO A_GR4 (CH 25-32)	BACKP.AS2	1.862.652.00
			4A	4	11A	2A				P01 MAPRO A_GR4 (CH 25-32)	BACKP.AS2	1.862.652.00
			4A	4	11A	20A				P01 MAPRO A_GR4 (CH 25-32)	BACKP.AS2	1.862.652.00
			4A	4	11B	1B				P01 MAPRO A_GR4 (CH 25-32)	BACKP.AS2	1.862.652.00
			4A	4	11B	2B				P01 MAPRO A_GR4 (CH 25-32)	BACKP.AS2	1.862.652.00
			4A	4	11B	20B				P01 MAPRO A_GR4 (CH 25-32)	BACKP.AS2	1.862.652.00
			4A	4	11C	1C				P01 MAPRO A_GR4 (CH 25-32)	BACKP.AS2	1.862.652.00
			4A	4	11C	2C				P01 MAPRO A_GR4 (CH 25-32)	BACKP.AS2	1.862.652.00
			4A	4	11C	20C				P01 MAPRO A_GR4 (CH 25-32)	BACKP.AS2	1.862.652.00
			4A	4	12A	1A				P02 MAPRO A_GR4 (CH 25-32)	BACKP.AS2	1.862.652.00
			4A	4	12A	2A				P02 MAPRO A_GR4 (CH 25-32)	BACKP.AS2	1.862.652.00
			4A	4	12B	1B				P02 MAPRO A_GR4 (CH 25-32)	BACKP.AS2	1.862.652.00
			4A	4	12B	2B				P02 MAPRO A_GR4 (CH 25-32)	BACKP.AS2	1.862.652.00
			4A	4	12C	1C				P02 MAPRO A_GR4 (CH 25-32)	BACKP.AS2	1.862.652.00
			4A	4	12C	2C				P02 MAPRO A_GR4 (CH 25-32)	BACKP.AS2	1.862.652.00
			4A	4	21A	1A				P01 DA A_GR4 (CH 25-32)	BACKP.AS2	1.862.651.00
			4A	4	21A	2A				P01 DA A_GR4 (CH 25-32)	BACKP.AS2	1.862.651.00
			4A	4	21A	20A				P01 DA A_GR4 (CH 25-32)	BACKP.AS2	1.862.651.00
			4A	4	21A	22A				P01 DA A_GR4 (CH 25-32)	BACKP.AS2	1.862.651.00
			4A	4	21A	24A				P01 DA A_GR4 (CH 25-32)	BACKP.AS2	1.862.651.00
			4A	4	21A	26A				P01 DA A_GR4 (CH 25-32)	BACKP.AS2	1.862.651.00
			4A	4	21A	28A				P01 DA A_GR4 (CH 25-32)	BACKP.AS2	1.862.651.00
			4A	4	21B	1B				P01 DA A_GR4 (CH 25-32)	BACKP.AS2	1.862.651.00
			4A	4	21B	2B				P01 DA A_GR4 (CH 25-32)	BACKP.AS2	1.862.651.00
			4A	4	21B	20B				P01 DA A_GR4 (CH 25-32)	BACKP.AS2	1.862.651.00
			4A	4	21B	21B				P01 DA A_GR4 (CH 25-32)	BACKP.AS2	1.862.651.00
			4A	4	21B	22B				P01 DA A_GR4 (CH 25-32)	BACKP.AS2	1.862.651.00
			4A	4	21B	23B				P01 DA A_GR4 (CH 25-32)	BACKP.AS2	1.862.651.00
			4A	4	21B	24B				P01 DA A_GR4 (CH 25-32)	BACKP.AS2	1.862.651.00
			4A	4	21B	25B				P01 DA A_GR4 (CH 25-32)	BACKP.AS2	1.862.651.00
			4A	4	21B	26B				P01 DA A_GR4 (CH 25-32)	BACKP.AS2	1.862.651.00
			4A	4	21B	27B				P01 DA A_GR4 (CH 25-32)	BACKP.AS2	1.862.651.00
			4A	4	21B	28B				P01 DA A_GR4 (CH 25-32)	BACKP.AS2	1.862.651.00
			4A	4	21C	1C				P01 DA A_GR4 (CH 25-32)	BACKP.AS2	1.862.651.00
			4A	4	21C	2						

 * STUDER REVOX AG * S I G N A L W I R E L I S T * 91/02/19 * 11:24 * PAGE 407 *

 * 1.862.010.00 D820-48 PCM TAPE - RECORDER * 90/03/21 - 00 *

SIGNAL NAME	COLOR	MI	ASY	GRP	ELM	PNT	S	LV	TYPE	DESCRIPTION OF ELEMENT	REMARK	ELEMENT NR.
<<-- CONT.OF												
GND			4A	4	42C	17C				P02 AD A GR4 (CH 25-32)	BACKP.AS2	1.862.650.00
			4A	4	42C	18C				P02 AD A GR4 (CH 25-32)	BACKP.AS2	1.862.650.00
			4A	4	42C	19C				P02 AD A GR4 (CH 25-32)	BACKP.AS2	1.862.650.00
			4A	4	42C	23C				P02 AD A GR4 (CH 25-32)	BACKP.AS2	1.862.650.00
			4A	4	42C	24C				P02 AD A GR4 (CH 25-32)	BACKP.AS2	1.862.650.00
			4A	10S	11	7				CLOCK-BOARD IN/OUT	BACKP.AS2	
			4A	10S	11	8				CLOCK-BOARD IN/OUT	BACKP.AS2	
			4A	10S	11	15				CLOCK-BOARD IN/OUT	BACKP.AS2	
			4A	10S	11	16				CLOCK-BOARD IN/OUT	BACKP.AS2	
			4A	10S	52	2				MADI DATA OUT (BNC)	BACKP.AS2	
			4A	10S	53	2				MADI DATA IN (BNC)	BACKP.AS2	
			4A	10S	61E	2D				P01 18 V CONVERTER POS	BACKP.AS2	1.862.600.00
			4A	10S	62A	2Z				P02 18 V CONVERTER POS	BACKP.AS2	1.862.600.00
			4A	10S	62A	4Z				P02 18 V CONVERTER POS	BACKP.AS2	1.862.600.00
			4A	10S	62A	6Z				P02 18 V CONVERTER POS	BACKP.AS2	1.862.600.00
			4A	10S	62A	8Z				P02 18 V CONVERTER POS	BACKP.AS2	1.862.600.00
			4A	10S	62C	2B				P02 18 V CONVERTER POS	BACKP.AS2	1.862.600.00
			4A	10S	62C	4B				P02 18 V CONVERTER POS	BACKP.AS2	1.862.600.00
			4A	10S	62C	6B				P02 18 V CONVERTER POS	BACKP.AS2	1.862.600.00
			4A	10S	62C	8B				P02 18 V CONVERTER POS	BACKP.AS2	1.862.600.00
			4A	10S	62E	2D				P02 18 V CONVERTER POS	BACKP.AS2	1.862.600.00
			4A	10S	62E	4D				P02 18 V CONVERTER POS	BACKP.AS2	1.862.600.00
			4A	10S	62E	6D				P02 18 V CONVERTER POS	BACKP.AS2	1.862.600.00
			4A	10S	62E	8D				P02 18 V CONVERTER POS	BACKP.AS2	1.862.600.00
			4A	10S	62E	30D				P02 18 V CONVERTER POS	BACKP.AS2	1.862.600.00
			4A	10S	80	1				POWER TERMINAL GND	BACKP.AS2	
			4A	10S	81	1				POWER TERMINAL GND	BACKP.AS2	
			4A	10S	82	1				POWER TERMINAL GND	BACKP.AS2	
			4A	10S	83	1				POWER TERMINAL GND	BACKP.AS2	
			4A	10S	84	1				POWER TERMINAL GND	BACKP.AS2	
			4A	10S	85	1				POWER TERMINAL GND	BACKP.AS2	
			4A	10S	86	1				POWER TERMINAL GND	BACKP.AS2	
			4A	11	21	3				DA OUT A-GR.4/CH27,28,31,32	BACKP.AS2	
			4A	11	21	7				DA OUT A-GR.4/CH27,28,31,32	BACKP.AS2	
			4A	11	21	8				DA OUT A-GR.4/CH27,28,31,32	BACKP.AS2	
			4A	11	21	8				DA OUT A-GR.4/CH27,28,31,32	BACKP.AS2	
			4A	11	21	11				DA OUT A-GR.4/CH27,28,31,32	BACKP.AS2	
			4A	11	21	12				DA OUT A-GR.4/CH27,28,31,32	BACKP.AS2	
			4A	11	21	15				DA OUT A-GR.4/CH27,28,31,32	BACKP.AS2	
			4A	11	21	16				DA OUT A-GR.4/CH27,28,31,32	BACKP.AS2	
			4A	11	22	3				DA OUT A-GR.4/CH25,26,29,30	BACKP.AS2	
			4A	11	22	4				DA OUT A-GR.4/CH25,26,29,30	BACKP.AS2	
			4A	11	22	7				DA OUT A-GR.4/CH25,26,29,30	BACKP.AS2	
			4A	11	22	8				DA OUT A-GR.4/CH25,26,29,30	BACKP.AS2	
			4A	11	22	11				DA OUT A-GR.4/CH25,26,29,30	BACKP.AS2	
			4A	11	22	12				DA OUT A-GR.4/CH25,26,29,30	BACKP.AS2	
			4A	11	22	15				DA OUT A-GR.4/CH25,26,29,30	BACKP.AS2	
			4A	11	22	16				DA OUT A-GR.4/CH25,26,29,30	BACKP.AS2	
			4A	11	31	1				AD IN A-GR.4/CHANNEL 29-32	BACKP.AS2	
			4A	11	31	2				AD IN A-GR.4/CHANNEL 29-32	BACKP.AS2	
			4A	11	31	5				AD IN A-GR.4/CHANNEL 29-32	BACKP.AS2	
			4A	11	31	6				AD IN A-GR.4/CHANNEL 29-32	BACKP.AS2	
			4A	11	31	9				AD IN A-GR.4/CHANNEL 29-32	BACKP.AS2	
			4A	11	31	10				AD IN A-GR.4/CHANNEL 29-32	BACKP.AS2	

 * STUDER REVOX AG * S I G N A L W I R E L I S T * 91/02/19 * 11:24 * PAGE 408 *

 * 1.862.010.00 D820-48 PCM TAPE - RECORDER * 90/03/21 - 00 *

SIGNAL NAME	COLOR	MI	ASY	GRP	ELM	PNT	S	LV	TYPE	DESCRIPTION OF ELEMENT	REMARK	ELEMENT NR.
<<-- CONT.OF												
GND			4A	11	31	13				AD IN A-GR.4/CHANNEL 29-32	BACKP.AS2	
			4A	11	31	14				AD IN A-GR.4/CHANNEL 29-32	BACKP.AS2	
			4A	11	32	1				AD IN A-GR.4/CHANNEL 25-28	BACKP.AS2	
			4A	11	32	2				AD IN A-GR.4/CHANNEL 25-28	BACKP.AS2	
			4A	11	32	5				AD IN A-GR.4/CHANNEL 25-28	BACKP.AS2	
			4A	11	32	6				AD IN A-GR.4/CHANNEL 25-28	BACKP.AS2	
			4A	11	32	9				AD IN A-GR.4/CHANNEL 25-28	BACKP.AS2	
			4A	11	32	10				AD IN A-GR.4/CHANNEL 25-28	BACKP.AS2	
			4A	11	32	13				AD IN A-GR.4/CHANNEL 25-28	BACKP.AS2	
			4A	11	32	14				AD IN A-GR.4/CHANNEL 25-28	BACKP.AS2	
			4A	11	80	1				POWER TERMINAL GND	BACKP.AS2	
			4A	11	81	1				POWER TERMINAL GND	BACKP.AS2	
			4A	11	82	1				POWER TERMINAL GND	BACKP.AS2	
			4A	11	83	1				POWER TERMINAL GND	BACKP.AS2	
			4B	5	11A	1A				P01 MAPRO A-GR5 (CH 33-40)	BACKP.AA2	1.862.652.00
			4B	5	11A	2A				P01 MAPRO A-GR5 (CH 33-40)	BACKP.AA2	1.862.652.00
			4B	5	11A	20A				P01 MAPRO A-GR5 (CH 33-40)	BACKP.AA2	1.862.652.00
			4B	5	11B	1B				P01 MAPRO A-GR5 (CH 33-40)	BACKP.AA2	1.862.652.00
			4B	5	11B	2B				P01 MAPRO A-GR5 (CH 33-40)	BACKP.AA2	1.862.652.00
			4B	5	11B	20B				P01 MAPRO A-GR5 (CH 33-40)	BACKP.AA2	1.862.652.00
			4B	5	11C	1C				P01 MAPRO A-GR5 (CH 33-40)	BACKP.AA2	1.862.652.00
			4B	5	11C	2C				P01 MAPRO A-GR5 (CH 33-40)	BACKP.AA2	1.862.652.00
			4B	5	11C	20C				P01 MAPRO A-GR5 (CH 33-40)	BACKP.AA2	1.862.652.00
			4B	5	12A	1A				P02 MAPRO A-GR5 (CH 33-40)	BACKP.AA2	1.862.652.00
			4B	5	12A	2A				P02 MAPRO A-GR5 (CH 33-40)	BACKP.AA2	1.862.652.00
			4B	5	12B	1B				P02 MAPRO A-GR5 (CH 33-40)	BACKP.AA2	1.862.652.00
			4B	5	12B	2B				P02 MAPRO A-GR5 (CH 33-40)	BACKP.AA2	1.862.652.00
			4B	5	12C	1C				P02 MAPRO A-GR5 (CH 33-40)	BACKP.AA2	1.862.652.00
			4B	5	12C	2C				P02 MAPRO A-GR5 (CH 33-40)	BACKP.AA2	1.862.652.00
			4B	5	21A	1A				P01 DA A-GR5 (CH 33-40)	BACKP.AA2	1.862.651.00
			4B	5	21A	2A				P01 DA A-GR5 (CH 33-40)	BACKP.AA2	1.862.651.00
			4B	5	21A	20A				P01 DA A-GR5 (CH 33-40)	BACKP.AA2	1.862.651.00
			4B	5	21A	22A				P01 DA A-GR5 (CH 33-40)	BACKP.AA2	1.862.651.00
			4B	5	21A	24A				P01 DA A-GR5 (CH 33-40)	BACKP.AA2	1.862.651.00
			4B	5	21A	26A				P01 DA A-GR5 (CH 33-40)	BACKP.AA2	1.862.651.00
			4B	5	21A	28A				P01 DA A-GR5 (CH 33-40)	BACKP.AA2	1.862.651.00
			4B	5	21B	1B				P01 DA A-GR5 (CH 33-40)	BACKP.AA2	1.862.651.00
			4B	5	21B	2B				P01 DA A-GR5 (CH 33-40)	BACKP.AA2	1.862.651.00
			4B	5	21B	20B				P01 DA A-GR5 (CH 33-40)	BACKP.AA2	1.862.651.00
			4B	5	21B	21B				P01 DA A-GR5 (CH 33-40)	BACKP.AA2	1.862.651.00
			4B	5	21B	22B				P01 DA A-GR5 (CH 33-40)	BACKP.AA2	1.862.651.00
			4B	5	21B	23B				P01 DA A-GR5 (CH 33-40)	BACKP.AA2	1.862.651.00
			4B	5	21B	24B				P01 DA A-GR5 (CH 33-40)	BACKP.AA2	1.862.651.00
			4B	5	21B	25B				P01 DA A-GR5 (CH 33-40)	BACKP.AA2	1.862.651.00
			4B	5	21B	26B				P01 DA A-GR5 (CH 33-40)	BACKP.AA2	1.862.651.00
			4B	5	21B	27B				P01 DA A-GR5 (CH 33-40)	BACKP.AA2	1.862.651.00
			4B	5	21B	28B				P01 DA A-GR5 (CH 33-40)	BACKP.AA2	1.862.651.00
			4B	5	21C	1C				P01 DA A-GR5 (CH 33-40)	BACKP.AA2	1.862.651.00
			4B	5	21C	2C				P01 DA A-GR5 (CH 33-40)	BACKP.AA2	1.862.651.00
			4B	5	21C	20C				P01 DA A-GR5 (

STUDER D820 MCH

 * STUDER REVOX AG * S I G N A L W I R E L I S T * 91/02/19 * 11:24 * P A G E 413 *

 * 1.862.010.00 D820-48 PCM TAPE - RECORDER * 90/03/21 - 00 *

SIGNAL NAME	COLOR	MI	ASY	GRP	ELM	PNT	S	LV	TYPE	DESCRIPTION OF ELEMENT	REMARK	ELEMENT NR.
<<-- CONT.OF GND			4B	6	41B	21B				P01 AD A-GR6 (CH 41-48)	BACKP. AA2	1.862.650.00
			4B	6	41B	22B				P01 AD A-GR6 (CH 41-48)	BACKP. AA2	1.862.650.00
			4B	6	41B	23B				P01 AD A-GR6 (CH 41-48)	BACKP. AA2	1.862.650.00
			4B	6	41B	24B				P01 AD A-GR6 (CH 41-48)	BACKP. AA2	1.862.650.00
			4B	6	41B	25B				P01 AD A-GR6 (CH 41-48)	BACKP. AA2	1.862.650.00
			4B	6	41B	26B				P01 AD A-GR6 (CH 41-48)	BACKP. AA2	1.862.650.00
			4B	6	41B	27B				P01 AD A-GR6 (CH 41-48)	BACKP. AA2	1.862.650.00
			4B	6	41B	28B				P01 AD A-GR6 (CH 41-48)	BACKP. AA2	1.862.650.00
			4B	6	41C	1C				P01 AD A-GR6 (CH 41-48)	BACKP. AA2	1.862.650.00
			4B	6	41C	2C				P01 AD A-GR6 (CH 41-48)	BACKP. AA2	1.862.650.00
			4B	6	41C	20C				P01 AD A-GR6 (CH 41-48)	BACKP. AA2	1.862.650.00
			4B	6	41C	22C				P01 AD A-GR6 (CH 41-48)	BACKP. AA2	1.862.650.00
			4B	6	41C	24C				P01 AD A-GR6 (CH 41-48)	BACKP. AA2	1.862.650.00
			4B	6	41C	26C				P01 AD A-GR6 (CH 41-48)	BACKP. AA2	1.862.650.00
			4B	6	41C	28C				P01 AD A-GR6 (CH 41-48)	BACKP. AA2	1.862.650.00
			4B	6	42A	1A				P02 AD A-GR6 (CH 41-48)	BACKP. AA2	1.862.650.00
			4B	6	42A	2A				P02 AD A-GR6 (CH 41-48)	BACKP. AA2	1.862.650.00
			4B	6	42A	4A				P02 AD A-GR6 (CH 41-48)	BACKP. AA2	1.862.650.00
			4B	6	42A	6A				P02 AD A-GR6 (CH 41-48)	BACKP. AA2	1.862.650.00
			4B	6	42A	8A				P02 AD A-GR6 (CH 41-48)	BACKP. AA2	1.862.650.00
			4B	6	42A	10A				P02 AD A-GR6 (CH 41-48)	BACKP. AA2	1.862.650.00
			4B	6	42A	14A				P02 AD A-GR6 (CH 41-48)	BACKP. AA2	1.862.650.00
			4B	6	42A	15A				P02 AD A-GR6 (CH 41-48)	BACKP. AA2	1.862.650.00
			4B	6	42A	16A				P02 AD A-GR6 (CH 41-48)	BACKP. AA2	1.862.650.00
			4B	6	42A	17A				P02 AD A-GR6 (CH 41-48)	BACKP. AA2	1.862.650.00
			4B	6	42A	18A				P02 AD A-GR6 (CH 41-48)	BACKP. AA2	1.862.650.00
			4B	6	42A	19A				P02 AD A-GR6 (CH 41-48)	BACKP. AA2	1.862.650.00
			4B	6	42A	21A				P02 AD A-GR6 (CH 41-48)	BACKP. AA2	1.862.650.00
			4B	6	42B	1B				P02 AD A-GR6 (CH 41-48)	BACKP. AA2	1.862.650.00
			4B	6	42B	2B				P02 AD A-GR6 (CH 41-48)	BACKP. AA2	1.862.650.00
			4B	6	42B	3B				P02 AD A-GR6 (CH 41-48)	BACKP. AA2	1.862.650.00
			4B	6	42B	4B				P02 AD A-GR6 (CH 41-48)	BACKP. AA2	1.862.650.00
			4B	6	42B	5B				P02 AD A-GR6 (CH 41-48)	BACKP. AA2	1.862.650.00
			4B	6	42B	6B				P02 AD A-GR6 (CH 41-48)	BACKP. AA2	1.862.650.00
			4B	6	42B	7B				P02 AD A-GR6 (CH 41-48)	BACKP. AA2	1.862.650.00
			4B	6	42B	8B				P02 AD A-GR6 (CH 41-48)	BACKP. AA2	1.862.650.00
			4B	6	42B	9B				P02 AD A-GR6 (CH 41-48)	BACKP. AA2	1.862.650.00
			4B	6	42B	10B				P02 AD A-GR6 (CH 41-48)	BACKP. AA2	1.862.650.00
			4B	6	42C	1C				P02 AD A-GR6 (CH 41-48)	BACKP. AA2	1.862.650.00
			4B	6	42C	2C				P02 AD A-GR6 (CH 41-48)	BACKP. AA2	1.862.650.00
			4B	6	42C	4C				P02 AD A-GR6 (CH 41-48)	BACKP. AA2	1.862.650.00
			4B	6	42C	6C				P02 AD A-GR6 (CH 41-48)	BACKP. AA2	1.862.650.00
			4B	6	42C	8C				P02 AD A-GR6 (CH 41-48)	BACKP. AA2	1.862.650.00
			4B	6	42C	10C				P02 AD A-GR6 (CH 41-48)	BACKP. AA2	1.862.650.00
			4B	6	42C	14C				P02 AD A-GR6 (CH 41-48)	BACKP. AA2	1.862.650.00
			4B	6	42C	15C				P02 AD A-GR6 (CH 41-48)	BACKP. AA2	1.862.650.00
			4B	6	42C	16C				P02 AD A-GR6 (CH 41-48)	BACKP. AA2	1.862.650.00
			4B	6	42C	17C				P02 AD A-GR6 (CH 41-48)	BACKP. AA2	1.862.650.00
			4B	6	42C	18C				P02 AD A-GR6 (CH 41-48)	BACKP. AA2	1.862.650.00
			4B	6	42C	19C				P02 AD A-GR6 (CH 41-48)	BACKP. AA2	1.862.650.00
			4B	6	42C	23C				P02 AD A-GR6 (CH 41-48)	BACKP. AA2	1.862.650.00
			4B	6	42C	24C				P02 AD A-GR6 (CH 41-48)	BACKP. AA2	1.862.650.00
			4B	6	52A	1A				P02 BTM	BACKP. AA2	1.862.670.00
			4B	6	52A	2A				P02 BTM	BACKP. AA2	1.862.670.00

* STUDER REVOX AG * S I G N A L W I R E L I S T * 91/02/19 * 11:24 * P A G E 414 *

 * 1.862.010.00 D820-48 PCM TAPE - RECORDER * 90/03/21 - 00 *

SIGNAL NAME	COLOR	MI	ASY	GRP	ELM	PNT	S	LV	TYPE	DESCRIPTION OF ELEMENT	REMARK	ELEMENT NR.
<<-- CONT.OF GND			4B	6	52B	1B				P02 BTM	BACKP. AA2	1.862.670.00
			4B	6	52B	2B				P02 BTM	BACKP. AA2	1.862.670.00
			4B	6	52C	1C				P02 BTM	BACKP. AA2	1.862.670.00
			4B	6	52C	2C				P02 BTM	BACKP. AA2	1.862.670.00
			4B	10	21	3				DA OUT A-GR. 5/CH35,36,39,40	BACKP. AA2	
			4B	10	21	4				DA OUT A-GR. 5/CH35,36,39,40	BACKP. AA2	
			4B	10	21	7				DA OUT A-GR. 5/CH35,36,39,40	BACKP. AA2	
			4B	10	21	8				DA OUT A-GR. 5/CH35,36,39,40	BACKP. AA2	
			4B	10	21	11				DA OUT A-GR. 5/CH35,36,39,40	BACKP. AA2	
			4B	10	21	12				DA OUT A-GR. 5/CH35,36,39,40	BACKP. AA2	
			4B	10	21	15				DA OUT A-GR. 5/CH35,36,39,40	BACKP. AA2	
			4B	10	21	16				DA OUT A-GR. 5/CH35,36,39,40	BACKP. AA2	
			4B	10	22	3				DA OUT A-GR. 5/CH33,34,37,38	BACKP. AA2	
			4B	10	22	4				DA OUT A-GR. 5/CH33,34,37,38	BACKP. AA2	
			4B	10	22	7				DA OUT A-GR. 5/CH33,34,37,38	BACKP. AA2	
			4B	10	22	8				DA OUT A-GR. 5/CH33,34,37,38	BACKP. AA2	
			4B	10	22	11				DA OUT A-GR. 5/CH33,34,37,38	BACKP. AA2	
			4B	10	22	12				DA OUT A-GR. 5/CH33,34,37,38	BACKP. AA2	
			4B	10	22	15				DA OUT A-GR. 5/CH33,34,37,38	BACKP. AA2	
			4B	10	22	16				DA OUT A-GR. 5/CH33,34,37,38	BACKP. AA2	
			4B	10	31	1				AD IN A-GR. 5/CHANNEL 37-40	BACKP. AA2	
			4B	10	31	2				AD IN A-GR. 5/CHANNEL 37-40	BACKP. AA2	
			4B	10	31	5				AD IN A-GR. 5/CHANNEL 37-40	BACKP. AA2	
			4B	10	31	6				AD IN A-GR. 5/CHANNEL 37-40	BACKP. AA2	
			4B	10	31	9				AD IN A-GR. 5/CHANNEL 37-40	BACKP. AA2	
			4B	10	31	10				AD IN A-GR. 5/CHANNEL 37-40	BACKP. AA2	
			4B	10	31	13				AD IN A-GR. 5/CHANNEL 37-40	BACKP. AA2	
			4B	10	31	14				AD IN A-GR. 5/CHANNEL 37-40	BACKP. AA2	
			4B	10	32	1				AD IN A-GR. 5/CHANNEL 33-36	BACKP. AA2	
			4B	10	32	2				AD IN A-GR. 5/CHANNEL 33-36	BACKP. AA2	
			4B	10	32	5				AD IN A-GR. 5/CHANNEL 33-36	BACKP. AA2	
			4B	10	32	6				AD IN A-GR. 5/CHANNEL 33-36	BACKP. AA2	
			4B	10	32	9				AD IN A-GR. 5/CHANNEL 33-36	BACKP. AA2	
			4B	10	32	10				AD IN A-GR. 5/CHANNEL 33-36	BACKP. AA2	
			4B	10	32	13				AD IN A-GR. 5/CHANNEL 33-36	BACKP. AA2	
			4B	10	32	14				AD IN A-GR. 5/CHANNEL 33-36	BACKP. AA2	
			4B	10	80	1				POWER-TERMINAL GND	BACKP. AA2	
			4B	10	81	1				POWER-TERMINAL GND	BACKP. AA2	
			4B	10	82	1				POWER-TERMINAL GND	BACKP. AA2	
			4B	10	83	1				POWER-TERMINAL GND	BACKP. AA2	
			4B	10	84	1				POWER-TERMINAL GND	BACKP. AA2	
			4B	11	21	3				DA OUT A-GR. 6/CH43,44,47,48	BACKP. AA2	
			4B	11	21	4				DA OUT A-GR. 6/CH43,44,47,48	BACKP. AA2	
			4B	11	21	7				DA OUT A-GR. 6/CH43,44,47,48	BACKP. AA2	
			4B	11	21	8				DA OUT A-GR. 6/CH43,44,47,48	BACKP. AA2	
			4B	11	21	11				DA OUT A-GR. 6/CH43,44,47,48	BACKP. AA2	
			4B	11	21	12				DA OUT A-GR. 6/CH43,44,47,48	BACKP. AA2	
			4B	11	21	15				DA OUT A-GR. 6/CH43,44,47,48	BACKP. AA2	
			4B	11	21	16				DA OUT A-GR. 6/CH43,44,47,48	BACK	

* STUDER REVOX AG * S I G N A L W I R E L I S T * 91/02/19 * 11:24 * P A G E 415 *

* 1.862.010.00 D820-48 PCM TAPE - RECORDER * 90/03/21 00 *****

Table with columns: SIGNAL NAME, COLOR, MI, ASY, GRP, ELM, PNT, S, LV, TYPE, DESCRIPTION OF ELEMENT, REMARK, ELEMENT NR. Rows include DA OUT, AD IN, and 5V CONVERTER 4B.

* STUDER REVOX AG * S I G N A L W I R E L I S T * 91/02/19 * 11:24 * P A G E 416 *

* 1.862.010.00 D820-48 PCM TAPE - RECORDER * 90/03/21 - 00 *****

Table with columns: SIGNAL NAME, COLOR, MI, ASY, GRP, ELM, PNT, S, LV, TYPE, DESCRIPTION OF ELEMENT, REMARK, ELEMENT NR. Rows include POWER-TERMINAL GND, ANALOG AUDIO OUT, and ANALOG AUDIO IN.

STUDER D820 MCH

 * STUDER REVOX AG * S I G N A L W I R E L I S T * 91/02/19 * 11:24 * P A G E 417 *

 * 1.862.010.00 D820-48 PCM TAPE - RECORDER * 90/03/21 - 00 *

SIGNAL NAME	COLOR	MI	ASY	GRP	ELM	PNT	S	LV	TYPE	DESCRIPTION OF ELEMENT	REMARK	ELEMENT NR.
<<-- CONT.OF GND			5A	1	33	1				POWER TERMINAL GND		ANCONC 1
			5A	2	1	1C				ANALOG AUDIO OUT	A-GR.2/CH 9-16	ANCONC 2
			5A	2	1	2C				ANALOG AUDIO OUT	A-GR.2/CH 9-16	ANCONC 2
			5A	2	1	3C				ANALOG AUDIO OUT	A-GR.2/CH 9-16	ANCONC 2
			5A	2	1	4C				ANALOG AUDIO OUT	A-GR.2/CH 9-16	ANCONC 2
			5A	2	1	5C				ANALOG AUDIO OUT	A-GR.2/CH 9-16	ANCONC 2
			5A	2	1	6C				ANALOG AUDIO OUT	A-GR.2/CH 9-16	ANCONC 2
			5A	2	1	7C				ANALOG AUDIO OUT	A-GR.2/CH 9-16	ANCONC 2
			5A	2	1	8C				ANALOG AUDIO OUT	A-GR.2/CH 9-16	ANCONC 2
			5A	2	1	9C				ANALOG AUDIO OUT	A-GR.2/CH 9-16	ANCONC 2
			5A	2	1	10C				ANALOG AUDIO OUT	A-GR.2/CH 9-16	ANCONC 2
			5A	2	2	1C				ANALOG AUDIO IN	A-GR.2/CH 9-16	ANCONC 2
			5A	2	2	2C				ANALOG AUDIO IN	A-GR.2/CH 9-16	ANCONC 2
			5A	2	2	3C				ANALOG AUDIO IN	A-GR.2/CH 9-16	ANCONC 2
			5A	2	2	4C				ANALOG AUDIO IN	A-GR.2/CH 9-16	ANCONC 2
			5A	2	2	5C				ANALOG AUDIO IN	A-GR.2/CH 9-16	ANCONC 2
			5A	2	2	6C				ANALOG AUDIO IN	A-GR.2/CH 9-16	ANCONC 2
			5A	2	2	7C				ANALOG AUDIO IN	A-GR.2/CH 9-16	ANCONC 2
			5A	2	2	8C				ANALOG AUDIO IN	A-GR.2/CH 9-16	ANCONC 2
			5A	2	2	9C				ANALOG AUDIO IN	A-GR.2/CH 9-16	ANCONC 2
			5A	2	2	10C				ANALOG AUDIO IN	A-GR.2/CH 9-16	ANCONC 2
			5A	2	11	3				DA OUT	A-GR.2/CH11,12,15,16	ANCONC 2
			5A	2	11	4				DA OUT	A-GR.2/CH11,12,15,16	ANCONC 2
			5A	2	11	7				DA OUT	A-GR.2/CH11,12,15,16	ANCONC 2
			5A	2	11	8				DA OUT	A-GR.2/CH11,12,15,16	ANCONC 2
			5A	2	11	11				DA OUT	A-GR.2/CH11,12,15,16	ANCONC 2
			5A	2	11	12				DA OUT	A-GR.2/CH11,12,15,16	ANCONC 2
			5A	2	11	15				DA OUT	A-GR.2/CH11,12,15,16	ANCONC 2
			5A	2	11	16				DA OUT	A-GR.2/CH11,12,15,16	ANCONC 2
			5A	2	12	3				DA OUT	A-GR.2/CH 9,10,13,14	ANCONC 2
			5A	2	12	4				DA OUT	A-GR.2/CH 9,10,13,14	ANCONC 2
			5A	2	12	7				DA OUT	A-GR.2/CH 9,10,13,14	ANCONC 2
			5A	2	12	8				DA OUT	A-GR.2/CH 9,10,13,14	ANCONC 2
			5A	2	12	11				DA OUT	A-GR.2/CH 9,10,13,14	ANCONC 2
			5A	2	12	12				DA OUT	A-GR.2/CH 9,10,13,14	ANCONC 2
			5A	2	12	15				DA OUT	A-GR.2/CH 9,10,13,14	ANCONC 2
			5A	2	12	16				DA OUT	A-GR.2/CH 9,10,13,14	ANCONC 2
			5A	2	21	1				AD IN	A-GR.2/CHANNEL 13-16	ANCONC 2
			5A	2	21	2				AD IN	A-GR.2/CHANNEL 13-16	ANCONC 2
			5A	2	21	5				AD IN	A-GR.2/CHANNEL 13-16	ANCONC 2
			5A	2	21	6				AD IN	A-GR.2/CHANNEL 13-16	ANCONC 2
			5A	2	21	9				AD IN	A-GR.2/CHANNEL 13-16	ANCONC 2
			5A	2	21	10				AD IN	A-GR.2/CHANNEL 13-16	ANCONC 2
			5A	2	21	13				AD IN	A-GR.2/CHANNEL 13-16	ANCONC 2
			5A	2	21	14				AD IN	A-GR.2/CHANNEL 13-16	ANCONC 2
			5A	2	22	1				AD IN	A-GR.2/CHANNEL 9-12	ANCONC 2
			5A	2	22	2				AD IN	A-GR.2/CHANNEL 9-12	ANCONC 2
			5A	2	22	5				AD IN	A-GR.2/CHANNEL 9-12	ANCONC 2
			5A	2	22	6				AD IN	A-GR.2/CHANNEL 9-12	ANCONC 2
			5A	2	22	9				AD IN	A-GR.2/CHANNEL 9-12	ANCONC 2
			5A	2	22	10				AD IN	A-GR.2/CHANNEL 9-12	ANCONC 2
			5A	2	22	13				AD IN	A-GR.2/CHANNEL 9-12	ANCONC 2
			5A	2	22	14				AD IN	A-GR.2/CHANNEL 9-12	ANCONC 2
			5A	2	32	1				POWER TERMINAL GND		ANCONC 2

 * STUDER REVOX AG * S I G N A L W I R E L I S T * 91/02/19 * 11:24 * P A G E 418 *

 * 1.862.010.00 D820-48 PCM TAPE - RECORDER * 90/03/21 - 00 *

SIGNAL NAME	COLOR	MI	ASY	GRP	ELM	PNT	S	LV	TYPE	DESCRIPTION OF ELEMENT	REMARK	ELEMENT NR.
<<-- CONT.OF GND			5A	2	33	1				POWER TERMINAL GND		ANCONC 2
			5A	3	1	1C				ANALOG AUDIO OUT	A-GR.3/CH 17-24	ANCONC 3
			5A	3	1	2C				ANALOG AUDIO OUT	A-GR.3/CH 17-24	ANCONC 3
			5A	3	1	3C				ANALOG AUDIO OUT	A-GR.3/CH 17-24	ANCONC 3
			5A	3	1	4C				ANALOG AUDIO OUT	A-GR.3/CH 17-24	ANCONC 3
			5A	3	1	5C				ANALOG AUDIO OUT	A-GR.3/CH 17-24	ANCONC 3
			5A	3	1	6C				ANALOG AUDIO OUT	A-GR.3/CH 17-24	ANCONC 3
			5A	3	1	7C				ANALOG AUDIO OUT	A-GR.3/CH 17-24	ANCONC 3
			5A	3	1	8C				ANALOG AUDIO OUT	A-GR.3/CH 17-24	ANCONC 3
			5A	3	1	9C				ANALOG AUDIO OUT	A-GR.3/CH 17-24	ANCONC 3
			5A	3	1	10C				ANALOG AUDIO OUT	A-GR.3/CH 17-24	ANCONC 3
			5A	3	2	1C				ANALOG AUDIO IN	A-GR.3/CH 17-24	ANCONC 3
			5A	3	2	2C				ANALOG AUDIO IN	A-GR.3/CH 17-24	ANCONC 3
			5A	3	2	3C				ANALOG AUDIO IN	A-GR.3/CH 17-24	ANCONC 3
			5A	3	2	4C				ANALOG AUDIO IN	A-GR.3/CH 17-24	ANCONC 3
			5A	3	2	5C				ANALOG AUDIO IN	A-GR.3/CH 17-24	ANCONC 3
			5A	3	2	6C				ANALOG AUDIO IN	A-GR.3/CH 17-24	ANCONC 3
			5A	3	2	7C				ANALOG AUDIO IN	A-GR.3/CH 17-24	ANCONC 3
			5A	3	2	8C				ANALOG AUDIO IN	A-GR.3/CH 17-24	ANCONC 3
			5A	3	2	9C				ANALOG AUDIO IN	A-GR.3/CH 17-24	ANCONC 3
			5A	3	2	10C				ANALOG AUDIO IN	A-GR.3/CH 17-24	ANCONC 3
			5A	3	11	3				DA OUT	A-GR.3/CH19,20,23,24	ANCONC 3
			5A	3	11	4				DA OUT	A-GR.3/CH19,20,23,24	ANCONC 3
			5A	3	11	7				DA OUT	A-GR.3/CH19,20,23,24	ANCONC 3
			5A	3	11	8				DA OUT	A-GR.3/CH19,20,23,24	ANCONC 3
			5A	3	11	11				DA OUT	A-GR.3/CH19,20,23,24	ANCONC 3
			5A	3	11	12				DA OUT	A-GR.3/CH19,20,23,24	ANCONC 3
			5A	3	11	15				DA OUT	A-GR.3/CH19,20,23,24	ANCONC 3
			5A	3	11	16				DA OUT	A-GR.3/CH19,20,23,24	ANCONC 3
			5A	3	12	3				DA OUT	A-GR.3/CH17,18,21,22	ANCONC 3
			5A	3	12	4				DA OUT	A-GR.3/CH17,18,21,22	ANCONC 3
			5A	3	12	7				DA OUT	A-GR.3/CH17,18,21,22	ANCONC 3
			5A	3	12	8				DA OUT	A-GR.3/CH17,18,21,22	ANCONC 3
			5A	3	12	11				DA OUT	A-GR.3/CH17,18,21,22	ANCONC 3
			5A	3	12	12				DA OUT	A-GR.3/CH17,18,21,22	ANCONC 3
			5A	3	12	15				DA OUT	A-GR.3/CH17,18,21,22	ANCONC 3
			5A	3	12	16				DA OUT	A-GR.3/CH17,18,21,22	ANCONC 3
			5A	3	21	1				AD IN	A-GR.3/CHANNEL 21-24	ANCONC 3
			5A	3	21	2				AD IN	A-GR.3/CHANNEL 21-24	ANCONC 3
			5A	3	21	5				AD IN	A-GR.3/CHANNEL 21-24	ANCONC 3
			5A	3	21	6				AD IN	A-GR.3/CHANNEL 21-24	ANCONC 3
			5A	3	21	9				AD IN	A-GR.3/CHANNEL 21-24	ANCONC 3
			5A	3	21	10				AD IN	A-GR.3/CHANNEL 21-24	ANCONC 3
			5A	3	21	13				AD IN	A-GR.3/CHANNEL 21-24	ANCONC 3
			5A	3	21	14				AD IN	A-GR.3/CHANNEL 21-24	ANCONC 3
			5A	3	22	1				AD IN	A-GR.3/CHANNEL 17-20	ANCONC 3
			5A	3	22	2				AD IN	A-GR.3/CHANNEL 17-20	ANCONC 3
			5A	3	22	5				AD IN	A-GR.3/CHANNEL 17-20	ANCONC 3
			5A	3	22	6				AD IN	A-GR.3/CHANNEL 17-20	ANCONC 3
			5A	3	22	9				AD IN	A-GR.3/CHANNEL 17-20	ANCONC 3
			5A	3	22	10				AD IN	A-GR.3/CHANNEL 17-20	ANCONC 3
			5A	3	22	13				AD IN	A-GR.3/CHANNEL 17-20	ANCONC 3
			5A	3	22	14				AD IN	A-GR.3/CHANNEL 17-20	ANCONC 3
			5A	3	32	1				POWER TERMINAL GND		ANCONC 3

* STUDER REVOK AG * S I G N A L W I R E L I S T * 91/02/19 * 11:24 * P A G E 419 *
* 1.862.010.00 D820-48 PCM TAPE - RECORDER * 90/03/21 - 00 *

Table with columns: SIGNAL NAME, COLOR, MI, ASY, GRP, ELM, PNT, S, LV, TYPE, DESCRIPTION OF ELEMENT, REMARK, ELEMENT NR. Contains signal data for 'CONT' and 'GND' with various channel and element identifiers.

* STUDER REVOK AG * S I G N A L W I R E L I S T * 91/02/19 * 11:24 * P A G E 420 *
* 1.862.010.00 D820-48 PCM TAPE - RECORDER * 90/03/21 - 00 *

Table with columns: SIGNAL NAME, COLOR, MI, ASY, GRP, ELM, PNT, S, LV, TYPE, DESCRIPTION OF ELEMENT, REMARK, ELEMENT NR. Contains signal data for 'CONT OF' and 'GND' with various channel and element identifiers.

STUDER D820 MCH

 * STUDER REVOX AG * S I G N A L W I R E L I S T * 91/02/19 * 11:24 * P A G E 421 *
 * 1.862.010.00 D820-48 PCM TAPE - RECORDER * 90/03/21 - 00 *

SIGNAL NAME	COLOR	MI	ASY	GRP	ELM	PNT	S	LV	TYPE	DESCRIPTION OF ELEMENT	REMARK	ELEMENT NR.
<<-- CONT.OF GND			5A	5	33	1				POWER TERMINAL GND		ANCONC 5
			5A	6	1	1C				ANALOG AUDIO OUT A-GR.6/CH 41-48	ANCONC 6	
			5A	6	1	2C				ANALOG AUDIO OUT A-GR.6/CH 41-48	ANCONC 6	
			5A	6	1	3C				ANALOG AUDIO OUT A-GR.6/CH 41-48	ANCONC 6	
			5A	6	1	4C				ANALOG AUDIO OUT A-GR.6/CH 41-48	ANCONC 6	
			5A	6	1	5C				ANALOG AUDIO OUT A-GR.6/CH 41-48	ANCONC 6	
			5A	6	1	6C				ANALOG AUDIO OUT A-GR.6/CH 41-48	ANCONC 6	
			5A	6	1	7C				ANALOG AUDIO OUT A-GR.6/CH 41-48	ANCONC 6	
			5A	6	1	8C				ANALOG AUDIO OUT A-GR.6/CH 41-48	ANCONC 6	
			5A	6	1	9C				ANALOG AUDIO OUT A-GR.6/CH 41-48	ANCONC 6	
			5A	6	1	10C				ANALOG AUDIO OUT A-GR.6/CH 41-48	ANCONC 6	
			5A	6	2	1C				ANALOG AUDIO IN A-GR.6/CH 41-48	ANCONC 6	
			5A	6	2	2C				ANALOG AUDIO IN A-GR.6/CH 41-48	ANCONC 6	
			5A	6	2	3C				ANALOG AUDIO IN A-GR.6/CH 41-48	ANCONC 6	
			5A	6	2	4C				ANALOG AUDIO IN A-GR.6/CH 41-48	ANCONC 6	
			5A	6	2	5C				ANALOG AUDIO IN A-GR.6/CH 41-48	ANCONC 6	
			5A	6	2	6C				ANALOG AUDIO IN A-GR.6/CH 41-48	ANCONC 6	
			5A	6	2	7C				ANALOG AUDIO IN A-GR.6/CH 41-48	ANCONC 6	
			5A	6	2	8C				ANALOG AUDIO IN A-GR.6/CH 41-48	ANCONC 6	
			5A	6	2	9C				ANALOG AUDIO IN A-GR.6/CH 41-48	ANCONC 6	
			5A	6	2	10C				ANALOG AUDIO IN A-GR.6/CH 41-48	ANCONC 6	
			5A	6	11	3				DA OUT A-GR.6/CH43,44,47,48	ANCONC 6	
			5A	6	11	4				DA OUT A-GR.6/CH43,44,47,48	ANCONC 6	
			5A	6	11	7				DA OUT A-GR.6/CH43,44,47,48	ANCONC 6	
			5A	6	11	8				DA OUT A-GR.6/CH43,44,47,48	ANCONC 6	
			5A	6	11	11				DA OUT A-GR.6/CH43,44,47,48	ANCONC 6	
			5A	6	11	12				DA OUT A-GR.6/CH43,44,47,48	ANCONC 6	
			5A	6	11	15				DA OUT A-GR.6/CH43,44,47,48	ANCONC 6	
			5A	6	11	16				DA OUT A-GR.6/CH43,44,47,48	ANCONC 6	
			5A	6	12	3				DA OUT A-GR.6/CH41,42,45,46	ANCONC 6	
			5A	6	12	4				DA OUT A-GR.6/CH41,42,45,46	ANCONC 6	
			5A	6	12	7				DA OUT A-GR.6/CH41,42,45,46	ANCONC 6	
			5A	6	12	8				DA OUT A-GR.6/CH41,42,45,46	ANCONC 6	
			5A	6	12	11				DA OUT A-GR.6/CH41,42,45,46	ANCONC 6	
			5A	6	12	12				DA OUT A-GR.6/CH41,42,45,46	ANCONC 6	
			5A	6	12	15				DA OUT A-GR.6/CH41,42,45,46	ANCONC 6	
			5A	6	12	16				DA OUT A-GR.6/CH41,42,45,46	ANCONC 6	
			5A	6	21	1				AD IN A-GR.6/CHANNEL 45-48	ANCONC 6	
			5A	6	21	2				AD IN A-GR.6/CHANNEL 45-48	ANCONC 6	
			5A	6	21	5				AD IN A-GR.6/CHANNEL 45-48	ANCONC 6	
			5A	6	21	6				AD IN A-GR.6/CHANNEL 45-48	ANCONC 6	
			5A	6	21	9				AD IN A-GR.6/CHANNEL 45-48	ANCONC 6	
			5A	6	21	10				AD IN A-GR.6/CHANNEL 45-48	ANCONC 6	
			5A	6	21	13				AD IN A-GR.6/CHANNEL 45-48	ANCONC 6	
			5A	6	21	14				AD IN A-GR.6/CHANNEL 45-48	ANCONC 6	
			5A	6	22	1				AD IN A-GR.6/CHANNEL 41-44	ANCONC 6	
			5A	6	22	2				AD IN A-GR.6/CHANNEL 41-44	ANCONC 6	
			5A	6	22	5				AD IN A-GR.6/CHANNEL 41-44	ANCONC 6	
			5A	6	22	6				AD IN A-GR.6/CHANNEL 41-44	ANCONC 6	
			5A	6	22	9				AD IN A-GR.6/CHANNEL 41-44	ANCONC 6	
			5A	6	22	10				AD IN A-GR.6/CHANNEL 41-44	ANCONC 6	
			5A	6	22	13				AD IN A-GR.6/CHANNEL 41-44	ANCONC 6	
			5A	6	22	14				AD IN A-GR.6/CHANNEL 41-44	ANCONC 6	
			5A	6	32	1				POWER TERMINAL GND	ANCONC 6	

 * STUDER REVOX AG * S I G N A L W I R E L I S T * 91/02/19 * 11:24 * P A G E 422 *
 * 1.862.010.00 D820-48 PCM TAPE - RECORDER * 90/03/21 - 00 *

SIGNAL NAME	COLOR	MI	ASY	GRP	ELM	PNT	S	LV	TYPE	DESCRIPTION OF ELEMENT	REMARK	ELEMENT NR.
<<-- CONT.OF GND			5A	6	33	1				POWER TERMINAL GND		ANCONC 6
			5C	1	1	1				AES/EBU IN	XLR/F	MICONC
			5C	1	2	1				AES/EBU OUT	XLR/M	MICONC
			5C	2	1	1				MADI IN	BNC	MICONC
			5C	2	2	2				MADI OUT	BNC	MICONC
			5C	2	11	2				MADI DATA IN (BNC)		MICONC
			5C	2	12	2				MADI DATA OUT (BNC)		MICONC
			5C	3	1	1				EXT. TC IN	XLR/F	MICONC
			5C	3	2	1				EXT. TC OUT	XLR/M	MICONC
			5C	3	3	1				TC OUT	XLR/M	MICONC
			5C	3	4	2				EXT. RT IN	BNC	MICONC
			5C	3	5	2				EXT. RT OUT	BNC	MICONC
			5C	3	6	2				TAPE RT OUT	BNC	MICONC
			5C	3	7	1				TC BIPHASE IN	5POL XLR/F	MICONC
			5C	3	7	5				TC BIPHASE IN	5POL XLR/F	MICONC
			5C	4	1	1				CUE 1 IN	XLR/F	MICONC
			5C	4	2	1				CUE 1 OUT	XLR/M	MICONC
			5C	4	3	1				CUE 2 IN	XLR/F	MICONC
			5C	4	4	1				CUE 2 OUT	XLR/M	MICONC
			5C	4	11	3				CUE IN/OUT		MICONC
			5C	4	11	4				CUE IN/OUT		MICONC
			5C	4	11	7				CUE IN/OUT		MICONC
			5C	4	11	8				CUE IN/OUT		MICONC
			5C	4	11	11				CUE IN/OUT		MICONC
			5C	4	11	12				CUE IN/OUT		MICONC
			5C	4	11	15				CUE IN/OUT		MICONC
			5C	4	11	16				CUE IN/OUT		MICONC
			5C	5	11	7				CLOCK BOARD IN/OUT		MICONC
			5C	5	11	8				CLOCK BOARD IN/OUT		MICONC
			5C	5	11	15				CLOCK BOARD IN/OUT		MICONC
			5C	5	11	16				CLOCK BOARD IN/OUT		MICONC
			5C	8	1	1				MASTER TALLIES	9POL D-SUB/F	MICONC
			5C	8	1	5				MASTER TALLIES	9POL D-SUB/F	MICONC
			5C	10	13	1				POWER TERMINAL GND		MICONC
			5C	10	17	2				C1 ** NOT USED **		MICONC
			5D	1	11	1				PIF TDC-BUS	TD&HD-IF	
			5D	1	11	2				PIF TDC-BUS	TD&HD-IF	
			5D	1	11	20				PIF TDC-BUS	TD&HD-IF	
			5D	1	11	22				PIF TDC-BUS	TD&HD-IF	
			5D	1	11	24				PIF TDC-BUS	TD&HD-IF	
			5D	1	11	26				PIF TDC-BUS	TD&HD-IF	
			5D	1	11	28				PIF TDC-BUS	TD&HD-IF	
			5D	1	11	30				PIF TDC-BUS	TD&HD-IF	
			5D	1	11	32				PIF TDC-BUS	TD&HD-IF	
			5D	1	11	34				PIF TDC-BUS	TD&HD-IF	
			5D	1	11	36				PIF TDC-BUS	TD&HD-IF	
			5D	1	11	38				PIF TDC-BUS	TD&HD-IF	
			5D	1	11	40				PIF TDC-BUS	TD&HD-IF	
			5D	1	12	1				GND	TD&HD-IF	
			5D	2	9	1				GND	TD&HD-IF	
			7	1	1	3				POWER LINE INPUT		54.42.0026
			7	1	2	1				GROUND		54.33.6007
			7	1	2	2				GROUND		54.33.6007
			7	1	2	3				GROUND		54.33.6007

* STUDER REVOX AG * SIGNAL WIRE LIST * 91/02/19 * 11:24 * PAGE 423 *

* 1.862.010.00 D820-48 PCM TAPE - RECORDER * 90/03/21 - 00 *

Table with columns: SIGNAL NAME, COLOR, MI, ASY, GRP, ELM, PNT, S, LV, TYPE, DESCRIPTION OF ELEMENT, REMARK, ELEMENT NR. Rows include <!-- CONT.OF GND, IO-DAT10, IO-DAT11, IO-DAT20, IO-DAT21, IO-DAT30, IO-DAT31, IO-DAT40, IO-DAT41, IO-DAT50, IO-DAT51, IO-DAT60.

* STUDER REVOX AG * SIGNAL WIRE LIST * 91/02/19 * 11:24 * PAGE 424 *

* 1.862.010.00 D820-48 PCM TAPE - RECORDER * 90/03/21 - 00 *

Table with columns: SIGNAL NAME, COLOR, MI, ASY, GRP, ELM, PNT, S, LV, TYPE, DESCRIPTION OF ELEMENT, REMARK, ELEMENT NR. Rows include IO-DAT61, IO-IACK, IO-1BD1, IO-1BD2, IO-1CLKT, IO-1DA12, IO-1DA13, IO-1DA14, IO-1DA15, IO-1IOAD, IO-1LD1, IO-1LD2, IO-2ACK, IO-2BD1, IO-2BD2, IO-2CLKT, IO-2DA12, IO-2DA13.

STUDER D820 MCH

 * STUDER REVOX AG * S I G N A L W I R E L I S T * 91/02/19 * 11:24 * P A G E 425 *

 * 1.862.010.00 D820-48 PCM TAPE - RECORDER * 90/03/21 - 00 *

SIGNAL NAME	COLOR	MI	ASY	GRP	ELM	PNT	S	LV	TYPE	DESCRIPTION OF ELEMENT	REMARK	ELEMENT NR.	
IO-2DA14			3B	2	21C	14C				P01 DA	A-GR2 (CH 09-16)	BACKP.AA1	1.862.651.00
			3B	2	31A	14A				P01 IO	A-GR2 (CH 09-16)	BACKP.AA1	1.862.653.00
IO-2DA15			3B	2	21C	15C				P01 DA	A-GR2 (CH 09-16)	BACKP.AA1	1.862.651.00
			3B	2	31A	15A				P01 IO	A-GR2 (CH 09-16)	BACKP.AA1	1.862.653.00
IO-2IOAD			3B	2	31C	12C				P01 IO	A-GR2 (CH 09-16)	BACKP.AA1	1.862.653.00
			3B	2	41A	12A				P01 AD	A-GR2 (CH 09-16)	BACKP.AA1	1.862.650.00
IO-2LD1			3B	2	31C	17C				P01 IO	A-GR2 (CH 09-16)	BACKP.AA1	1.862.653.00
			3B	2	41A	17A				P01 AD	A-GR2 (CH 09-16)	BACKP.AA1	1.862.650.00
IO-2LD2			3B	2	21C	17C				P01 DA	A-GR2 (CH 09-16)	BACKP.AA1	1.862.651.00
			3B	2	31A	17A				P01 IO	A-GR2 (CH 09-16)	BACKP.AA1	1.862.653.00
IO-3ACK			3B	3	31C	14C				P01 IO	A-GR3 (CH 17-24)	BACKP.AA1	1.862.653.00
			3B	3	41A	14A				P01 AD	A-GR3 (CH 17-24)	BACKP.AA1	1.862.650.00
IO-3BD1			3B	3	21C	19C				P01 DA	A-GR3 (CH 17-24)	BACKP.AA1	1.862.651.00
			3B	3	31A	19A				P01 IO	A-GR3 (CH 17-24)	BACKP.AA1	1.862.653.00
IO-3BD2			3B	3	31C	19C				P01 IO	A-GR3 (CH 17-24)	BACKP.AA1	1.862.653.00
			3B	3	41A	19A				P01 AD	A-GR3 (CH 17-24)	BACKP.AA1	1.862.650.00
IO-3CLKT			3B	3	31C	13C				P01 IO	A-GR3 (CH 17-24)	BACKP.AA1	1.862.653.00
			3B	3	41A	13A				P01 AD	A-GR3 (CH 17-24)	BACKP.AA1	1.862.650.00
IO-3DA12			3B	3	21C	12C				P01 DA	A-GR3 (CH 17-24)	BACKP.AA1	1.862.651.00
			3B	3	31A	12A				P01 IO	A-GR3 (CH 17-24)	BACKP.AA1	1.862.653.00
IO-3DA13			3B	3	21C	13C				P01 DA	A-GR3 (CH 17-24)	BACKP.AA1	1.862.651.00
			3B	3	31A	13A				P01 IO	A-GR3 (CH 17-24)	BACKP.AA1	1.862.653.00
IO-3DA14			3B	3	21C	14C				P01 DA	A-GR3 (CH 17-24)	BACKP.AA1	1.862.651.00
			3B	3	31A	14A				P01 IO	A-GR3 (CH 17-24)	BACKP.AA1	1.862.653.00
IO-3DA15			3B	3	21C	15C				P01 DA	A-GR3 (CH 17-24)	BACKP.AA1	1.862.651.00
			3B	3	31A	15A				P01 IO	A-GR3 (CH 17-24)	BACKP.AA1	1.862.653.00
IO-3IOAD			3B	3	31C	12C				P01 IO	A-GR3 (CH 17-24)	BACKP.AA1	1.862.653.00
			3B	3	41A	12A				P01 AD	A-GR3 (CH 17-24)	BACKP.AA1	1.862.650.00
IO-3LD1			3B	3	31C	17C				P01 IO	A-GR3 (CH 17-24)	BACKP.AA1	1.862.653.00
			3B	3	41A	17A				P01 AD	A-GR3 (CH 17-24)	BACKP.AA1	1.862.650.00
IO-3LD2			3B	3	21C	17C				P01 DA	A-GR3 (CH 17-24)	BACKP.AA1	1.862.651.00
			3B	3	31A	17A				P01 IO	A-GR3 (CH 17-24)	BACKP.AA1	1.862.653.00
IO-4ACK			4A	4	31C	14C				P01 IO	A-GR4 (CH 25-32)	BACKP.AS2	1.862.653.00
			4A	4	41A	14A				P01 AD	A-GR4 (CH 25-32)	BACKP.AS2	1.862.650.00
IO-4BD1			4A	4	21C	19C				P01 DA	A-GR4 (CH 25-32)	BACKP.AS2	1.862.651.00
			4A	4	31A	19A				P01 IO	A-GR4 (CH 25-32)	BACKP.AS2	1.862.653.00
IO-4BD2			4A	4	31C	19C				P01 IO	A-GR4 (CH 25-32)	BACKP.AS2	1.862.653.00
			4A	4	41A	19A				P01 AD	A-GR4 (CH 25-32)	BACKP.AS2	1.862.650.00

 * STUDER REVEX AG * S I G N A L W I R E L I S T * 91/02/19 * 11:24 * P A G E 426 *

 * 1.862.010.00 D820-48 PCM TAPE - RECORDER * 90/03/21 - 00 *

SIGNAL NAME	COLOR	MI	ASY	GRP	ELM	PNT	S	LV	TYPE	DESCRIPTION OF ELEMENT	REMARK	ELEMENT NR.
IO-4CLKT			4A	4	31C	13C				P01 IO A-GR4 (CH 25-32)	BACKP.AS2	1.862.653.00
			4A	4	41A	13A				P01 AD A-GR4 (CH 25-32)	BACKP.AS2	1.862.650.00
IO-4DA12			4A	4	21C	12C				P01 DA A-GR4 (CH 25-32)	BACKP.AS2	1.862.651.00
			4A	4	31A	12A				P01 IO A-GR4 (CH 25-32)	BACKP.AS2	1.862.653.00
IO-4DA13			4A	4	21C	13C				P01 DA A-GR4 (CH 25-32)	BACKP.AS2	1.862.651.00
			4A	4	31A	13A				P01 IO A-GR4 (CH 25-32)	BACKP.AS2	1.862.653.00
IO-4DA14			4A	4	21C	14C				P01 DA A-GR4 (CH 25-32)	BACKP.AS2	1.862.651.00
			4A	4	31A	14A				P01 IO A-GR4 (CH 25-32)	BACKP.AS2	1.862.653.00
IO-4DA15			4A	4	21C	15C				P01 DA A-GR4 (CH 25-32)	BACKP.AS2	1.862.651.00
			4A	4	31A	15A				P01 IO A-GR4 (CH 25-32)	BACKP.AS2	1.862.653.00
IO-4IOAD			4A	4	31C	12C				P01 IO A-GR4 (CH 25-32)	BACKP.AS2	1.862.653.00
			4A	4	41A	12A				P01 AD A-GR4 (CH 25-32)	BACKP.AS2	1.862.650.00
IO-4LD1			4A	4	31C	17C				P01 IO A-GR4 (CH 25-32)	BACKP.AS2	1.862.653.00
			4A	4	41A	17A				P01 AD A-GR4 (CH 25-32)	BACKP.AS2	1.862.650.00
IO-4LD2			4A	4	21C	17C				P01 DA A-GR4 (CH 25-32)	BACKP.AS2	1.862.651.00
			4A	4	31A	17A				P01 IO A-GR4 (CH 25-32)	BACKP.AS2	1.862.653.00
IO-5ACK			4B	5	31C	14C				P01 IO A-GR5 (CH 33-40)	BACKP.AA2	1.862.653.00
			4B	5	41A	14A				P01 AD A-GR5 (CH 33-40)	BACKP.AA2	1.862.650.00
IO-5BD1			4B	5	21C	19C				P01 DA A-GR5 (CH 33-40)	BACKP.AA2	1.862.651.00
			4B	5	31A	19A				P01 IO A-GR5 (CH 33-40)	BACKP.AA2	1.862.653.00
IO-5BD2			4B	5	31C	19C				P01 IO A-GR5 (CH 33-40)	BACKP.AA2	1.862.653.00
			4B	5	41A	19A				P01 AD A-GR5 (CH 33-40)	BACKP.AA2	1.862.650.00
IO-5CLKT			4B	5	31C	13C				P01 IO A-GR5 (CH 33-40)	BACKP.AA2	1.862.653.00
			4B	5	41A	13A				P01 AD A-GR5 (CH 33-40)	BACKP.AA2	1.862.650.00
IO-5DA12			4B	5	21C	12C				P01 DA A-GR5 (CH 33-40)	BACKP.AA2	1.862.651.00
			4B	5	31A	12A				P01 IO A-GR5 (CH 33-40)	BACKP.AA2	1.862.653.00
IO-5DA13			4B	5	21C	13C				P01 DA A-GR5 (CH 33-40)	BACKP.AA2	1.862.651.00
			4B	5	31A	13A				P01 IO A-GR5 (CH 33-40)	BACKP.AA2	1.862.653.00
IO-5DA14			4B	5	21C	14C				P01 DA A-GR5 (CH 33-40)	BACKP.AA2	1.862.651.00
			4B	5	31A	14A				P01 IO A-GR5 (CH 33-40)	BACKP.AA2	1.862.653.00
IO-5DA15			4B	5	21C	15C				P01 DA A-GR5 (CH 33-40)	BACKP.AA2	1.862.651.00
			4B	5	31A	15A				P01 IO A-GR5 (CH 33-40)	BACKP.AA2	1.862.653.00
IO-5IOAD			4B	5	31C	12C				P01 IO A-GR5 (CH 33-40)	BACKP.AA2	1.862.653.00
			4B	5	41A	12A				P01 AD A-GR5 (CH 33-40)	BACKP.AA2	1.862.650.00
IO-5LD1			4B	5	31C	17C				P01 IO A-GR5 (CH 33-40)	BACKP.AA2	1.862.653.00
			4B	5	41A	17A				P01 AD A-GR5 (CH 33-40)	BACKP.AA2	1.862.650.00
IO-5LD2			4B	5	21C	17C				P01 DA A-GR5 (CH 33-40)	BACKP.AA2	1.862.651.00
			4B	5	31A	17A				P01 IO A-GR5 (CH 33-40)	BACKP.AA2	1.862.653.00

 * STUDER REVEX AG * S I G N A L W I R E L I S T * 91/02/19 * 11:24 * P A G E 427 *

 * 1.862.010.00 D820-48 PCM TAPE - RECORDER * 90/03/21 - 00 *

SIGNAL NAME	COLOR	MI	ASY	GRP	ELM	PNT	S	LV	TYPE	DESCRIPTION OF ELEMENT	REMARK	ELEMENT NR.
IO-6ACK			4B	6	31C	14C				P01 IO A-GR6 (CH 41-48)	BACKP.AA2	1.862.653.00
			4B	6	41A	14A				P01 AD A-GR6 (CH 41-48)	BACKP.AA2	1.862.650.00
IO-6BD1			4B	6	21C	19C				P01 DA A-GR6 (CH 41-48)	BACKP.AA2	1.862.651.00
			4B	6	31A	19A				P01 IO A-GR6 (CH 41-48)	BACKP.AA2	1.862.653.00
IO-6BD2			4B	6	31C	19C				P01 IO A-GR6 (CH 41-48)	BACKP.AA2	1.862.653.00
			4B	6	41A	19A				P01 AD A-GR6 (CH 41-48)	BACKP.AA2	1.862.650.00
IO-6CLKT			4B	6	31C	13C				P01 IO A-GR6 (CH 41-48)	BACKP.AA2	1.862.653.00
			4B	6	41A	13A				P01 AD A-GR6 (CH 41-48)	BACKP.AA2	1.862.650.00
IO-6DA12			4B	6	21C	12C				P01 DA A-GR6 (CH 41-48)	BACKP.AA2	1.862.651.00
			4B	6	31A	12A				P01 IO A-GR6 (CH 41-48)	BACKP.AA2	1.862.653.00
IO-6DA13			4B	6	21C	13C				P01 DA A-GR6 (CH 41-48)	BACKP.AA2	1.862.651.00
			4B	6	31A	13A				P01 IO A-GR6 (CH 41-48)	BACKP.AA2	1.862.653.00
IO-6DA14			4B	6	21C	14C				P01 DA A-GR6 (CH 41-48)	BACKP.AA2	1.862.651.00
			4B	6	31A	14A				P01 IO A-GR6 (CH 41-48)	BACKP.AA2	1.862.653.00
IO-6DA15			4B	6	21C	15C				P01 DA A-GR6 (CH 41-48)	BACKP.AA2	1.862.651.00
			4B	6	31A	15A				P01 IO A-GR6 (CH 41-48)	BACKP.AA2	1.862.653.00
IO-6IOAD			4B	6	31C	12C				P01 IO A-GR6 (CH 41-48)	BACKP.AA2	1.862.653.00
			4B	6	41A	12A				P01 AD A-GR6 (CH 41-48)	BACKP.AA2	1.862.650.00
IO-6LD1			4B	6	31C	17C				P01 IO A-GR6 (CH 41-48)	BACKP.AA2	1.862.653.00
			4B	6	41A	17A				P01 AD A-GR6 (CH 41-48)	BACKP.AA2	1.862.650.00
IO-6LD2			4B	6	21C	17C				P01 DA A-GR6 (CH 41-48)	BACKP.AA2	1.862.651.00
			4B	6	31A	17A				P01 IO A-GR6 (CH 41-48)	BACKP.AA2	1.862.653.00
IOIDAT10			3A	1	31C	27C				P01 IO A-GR1 (CH 01-08)	BACKP.AS1	1.862.653.00
			3A	11	41	10				IO A-GR.1/CHANNEL	1-8	
			4A	2S	21C	19C				P01 PING-PONG		1.862.662.00
			4A	10S	21	10				IO A-GR.1/CHANNEL	1-8	
IOIDAT11			3A	1	31C	26C				P01 IO A-GR1 (CH 01-08)	BACKP.AS1	1.862.653.00
			3A	11	41	8				IO A-GR.1/CHANNEL	1-8	
			4A	2S	21C	18C				P01 PING-PONG		1.862.662.00
			4A	10S	21	8				IO A-GR.1/CHANNEL	1-8	
IOIDAT20			3B	2	31C	27C				P01 IO A-GR2 (CH 09-16)	BACKP.AA1	1.862.653.00
			3B	10	41	2				IO A-GR.2+3/CHANNEL	9-24	
			4A	2S	21C	21C				P01 PING-PONG		1.862.662.00
			4A	10S	22	2				IO A-GR.2+3/CHANNEL	9-24	
IOIDAT21			3B	2	31C	26C				P01 IO A-GR2 (CH 09-16)	BACKP.AA1	1.862.653.00
			3B	10	41	4				IO A-GR.2+3/CHANNEL	9-24	
			4A	2S	21C	22C				P01 PING-PONG		1.862.662.00
			4A	10S	22	4				IO A-GR.2+3/CHANNEL	9-24	

STUDER D820 MCH

 * STUDER REVOX AG * S I G N A L W I R E L I S T * 91/02/19 * 11:24 * PAGE 428 *

 * 1.862.010.00 D820-48 PCM TAPE - RECORDER * 90/03/21 - 00 *

SIGNAL NAME	COLOR	MI	ASY	GRP	ELM	PNT	S	LV	TYPE	DESCRIPTION OF ELEMENT	REMARK	ELEMENT NR.
IOIDAT30	---	---	3B	3	31C	27C	---	---	---	P01 IO A-GR3 (CH 17-24)	BACKP. AA1	1.862.653.00
										IO A-GR.2+3/CHANNEL 9-24	BACKP. AA1	
										P01 PING-PONG	BACKP. AS2	
										IO A-GR.2+3/CHANNEL 9-24	BACKP. AS2	
IOIDAT31	---	---	3B	3	31C	26C	---	---	---	P01 IO A-GR3 (CH 17-24)	BACKP. AA1	1.862.653.00
										IO A-GR.2+3/CHANNEL 9-24	BACKP. AA1	
										P01 PING-PONG	BACKP. AS2	
										IO A-GR.2+3/CHANNEL 9-24	BACKP. AS2	
IOIDAT40	---	---	4A	2S	21C	12C	---	---	---	P01 PING-PONG	BACKP. AS2	1.862.662.00
										P01 IO A-GR4 (CH 25-32)	BACKP. AS2	
IOIDAT41	---	---	4A	2S	21C	13C	---	---	---	P01 PING-PONG	BACKP. AS2	1.862.662.00
										P01 IO A-GR4 (CH 25-32)	BACKP. AS2	
IOIDAT50	---	---	4A	2S	22C	3C	---	---	---	P02 PING-PONG	BACKP. AS2	1.862.662.00
										IO A-GR.4+5/CHANNEL 33-48	BACKP. AS2	
										P01 IO A-GR5 (CH 33-40)	BACKP. AA2	
										IO A-GR.5+6/CHANNEL 33-48	BACKP. AA2	
IOIDAT51	---	---	4A	2S	22C	4C	---	---	---	P02 PING-PONG	BACKP. AS2	1.862.662.00
										IO A-GR.4+5/CHANNEL 33-48	BACKP. AS2	
										P01 IO A-GR5 (CH 33-40)	BACKP. AA2	
										IO A-GR.5+6/CHANNEL 33-48	BACKP. AA2	
IOIDAT60	---	---	4A	2S	22C	10C	---	---	---	P02 PING-PONG	BACKP. AS2	1.862.662.00
										IO A-GR.4+5/CHANNEL 33-48	BACKP. AS2	
										P01 IO A-GR6 (CH 41-48)	BACKP. AA2	
										IO A-GR.5+6/CHANNEL 33-48	BACKP. AA2	
IOIDAT61	---	---	4A	2S	22C	9C	---	---	---	P02 PING-PONG	BACKP. AS2	1.862.662.00
										IO A-GR.4+5/CHANNEL 33-48	BACKP. AS2	
										P01 IO A-GR6 (CH 41-48)	BACKP. AA2	
										IO A-GR.5+6/CHANNEL 33-48	BACKP. AA2	
IO1CLKR1	---	---	3A	1	21C	16C	---	---	---	P01 DA A-GR1 (CH 01-08)	BACKP. AS1	1.862.651.00
										P01 IO A-GR1 (CH 01-08)	BACKP. AS1	
IO1CLKR2	---	---	3A	1	31C	16C	---	---	---	P01 IO A-GR1 (CH 01-08)	BACKP. AS1	1.862.653.00
										P01 AD A-GR1 (CH 01-08)	BACKP. AS1	
IO1DATR1	---	---	3A	1	21C	18C	---	---	---	P01 DA A-GR1 (CH 01-08)	BACKP. AS1	1.862.651.00
										P01 IO A-GR1 (CH 01-08)	BACKP. AS1	
IO1DATR2	---	---	3A	1	31C	18C	---	---	---	P01 IO A-GR1 (CH 01-08)	BACKP. AS1	1.862.653.00
										P01 AD A-GR1 (CH 01-08)	BACKP. AS1	
IO2CLKR1	---	---	3B	2	21C	16C	---	---	---	P01 DA A-GR2 (CH 09-16)	BACKP. AA1	1.862.651.00
										P01 IO A-GR2 (CH 09-16)	BACKP. AA1	
IO2CLKR2	---	---	3B	2	31C	16C	---	---	---	P01 IO A-GR2 (CH 09-16)	BACKP. AA1	1.862.653.00
										P01 AD A-GR2 (CH 09-16)	BACKP. AA1	
IO2DATR1	---	---	3B	2	21C	18C	---	---	---	P01 DA A-GR2 (CH 09-16)	BACKP. AA1	1.862.651.00
										P01 IO A-GR2 (CH 09-16)	BACKP. AA1	

* STUDER REVOK AG * S I G N A L W I R E L I S T * 91/02/19 * 11:24 * P A G E 429 *

 * 1.862.010.00 D820-48 PCM TAPE - RECORDER * 90/03/21 - 00 *

SIGNAL NAME	COLOR	MI	ASY	GRP	ELM	PNT	S	LV	TYPE	DESCRIPTION OF ELEMENT	REMARK	ELEMENT NR.
I02DATR2			3B	2	31C	18C				P01 IO A-GR2 (CH 09-16)	BACKP.AA1	1.862.653.00
			3B	2	41A	18A				P01 AD A-GR2 (CH 09-16)	BACKP.AA1	1.862.650.00
I03CLKR1			3B	3	21C	16C				P01 DA A-GR3 (CH 17-24)	BACKP.AA1	1.862.651.00
			3B	3	31A	16A				P01 IO A-GR3 (CH 17-24)	BACKP.AA1	1.862.653.00
I03CLKR2			3B	3	31C	16C				P01 IO A-GR3 (CH 17-24)	BACKP.AA1	1.862.653.00
			3B	3	41A	16A				P01 AD A-GR3 (CH 17-24)	BACKP.AA1	1.862.650.00
I03DATR1			3B	3	21C	18C				P01 DA A-GR3 (CH 17-24)	BACKP.AA1	1.862.651.00
			3B	3	31A	18A				P01 IO A-GR3 (CH 17-24)	BACKP.AA1	1.862.653.00
I03DATR2			3B	3	31C	18C				P01 IO A-GR3 (CH 17-24)	BACKP.AA1	1.862.653.00
			3B	3	41A	18A				P01 AD A-GR3 (CH 17-24)	BACKP.AA1	1.862.650.00
I04CLKR1			4A	4	21C	16C				P01 DA A-GR4 (CH 25-32)	BACKP.AS2	1.862.651.00
			4A	4	31A	16A				P01 IO A-GR4 (CH 25-32)	BACKP.AS2	1.862.653.00
I04CLKR2			4A	4	31C	16C				P01 IO A-GR4 (CH 25-32)	BACKP.AS2	1.862.653.00
			4A	4	41A	16A				P01 AD A-GR4 (CH 25-32)	BACKP.AS2	1.862.650.00
I04DATR1			4A	4	21C	18C				P01 DA A-GR4 (CH 25-32)	BACKP.AS2	1.862.651.00
			4A	4	31A	18A				P01 IO A-GR4 (CH 25-32)	BACKP.AS2	1.862.653.00
I04DATR2			4A	4	31C	18C				P01 IO A-GR4 (CH 25-32)	BACKP.AS2	1.862.653.00
			4A	4	41A	18A				P01 AD A-GR4 (CH 25-32)	BACKP.AS2	1.862.650.00
I05CLKR1			4B	5	21C	16C				P01 DA A-GR5 (CH 33-40)	BACKP.AA2	1.862.651.00
			4B	5	31A	16A				P01 IO A-GR5 (CH 33-40)	BACKP.AA2	1.862.653.00
I05CLKR2			4B	5	31C	16C				P01 IO A-GR5 (CH 33-40)	BACKP.AA2	1.862.653.00
			4B	5	41A	16A				P01 AD A-GR5 (CH 33-40)	BACKP.AA2	1.862.650.00
I05DATR1			4B	5	21C	18C				P01 DA A-GR5 (CH 33-40)	BACKP.AA2	1.862.651.00
			4B	5	31A	18A				P01 IO A-GR5 (CH 33-40)	BACKP.AA2	1.862.653.00
I05DATR2			4B	5	31C	18C				P01 IO A-GR5 (CH 33-40)	BACKP.AA2	1.862.653.00
			4B	5	41A	18A				P01 AD A-GR5 (CH 33-40)	BACKP.AA2	1.862.650.00
I06CLKR1			4B	6	21C	16C				P01 DA A-GR6 (CH 41-48)	BACKP.AA2	1.862.651.00
			4B	6	31A	16A				P01 IO A-GR6 (CH 41-48)	BACKP.AA2	1.862.653.00
I06CLKR2			4B	6	31C	16C				P01 IO A-GR6 (CH 41-48)	BACKP.AA2	1.862.653.00
			4B	6	41A	16A				P01 AD A-GR6 (CH 41-48)	BACKP.AA2	1.862.650.00
I06DATR1			4B	6	21C	18C				P01 DA A-GR6 (CH 41-48)	BACKP.AA2	1.862.651.00
			4B	6	31A	18A				P01 IO A-GR6 (CH 41-48)	BACKP.AA2	1.862.653.00
I06DATR2			4B	6	31C	18C				P01 IO A-GR6 (CH 41-48)	BACKP.AA2	1.862.653.00
			4B	6	41A	18A				P01 AD A-GR6 (CH 41-48)	BACKP.AA2	1.862.650.00
IR-REFEX			1	25	2	13			B	CONNECTOR SYNCHRONIZER CONTROL	J02	
			1	25	3	13			B	CONN. PARALLEL REMOTE CONTROL	J01	
			1	27	3	25				TO GRP25, ELM02 (SYNCHRONIZER)	P03	
			1	27	4	25				TO CONN. PARALLEL REMOTE CONTR.	P04	

 * STUDER REVOK AG * S I G N A L W I R E L I S T * 91/02/19 * 11:24 * P A G E 430 *

 * 1.862.010.00 D820-48 PCM TAPE - RECORDER * 90/03/21 00 *

SIGNAL NAME	COLOR	MI	ASY	GRP	ELM	PNT	S	LV	TYPE	DESCRIPTION OF ELEMENT	REMARK	ELEMENT NR.	
ITEN			6A	1	1	17				BACKPANEL EXTENSION CONNECTION	DISPLAY.		
			6A	2	1A	8A				DP KEY DETECTION	AUX	1.862.812.00	
			6A	2	13A	22A				DP MICROPROCESSOR		1.862.815.00	
			6A	3	1A	8A				DP KEY DETECTION	A-GR.5+6	1.862.812.00	
			6A	4	1	3				Z 1 8 * 3.3 K		57.88.4332	
			6A	4	2	3				Z 2 ** NOT USED **			
			6B	1	1A	8A				DP KEY DETECTION	A-GR.3+4	1.862.812.00	
			6B	2	1A	8A				DP KEY DETECTION	A-GR.1+2	1.862.812.00	
			6B	3	1	17				BACKPANEL EXTENSION CONNECTION			
			6B	4	1	3				Z 1 8 * 3.3 K		57.88.4332	
			6B	4	2	3				Z 2 ** NOT USED **			
	ITRES			6A	1	1	16				BACKPANEL EXTENSION CONNECTION	DISPLAY.	
				6A	2	1C	8C				DP KEY DETECTION	AUX	1.862.812.00
				6A	2	13C	21C				DP MICROPROCESSOR		1.862.815.00
			6A	3	1C	8C				DP KEY DETECTION	A-GR.5+6	1.862.812.00	
			6A	4	1	4				Z 1 8 * 3.3 K		57.88.4332	
			6A	4	2	4				Z 2 ** NOT USED **			
			6B	1	1C	8C				DP KEY DETECTION	A-GR.3+4	1.862.812.00	
			6B	2	1C	8C				DP KEY DETECTION	A-GR.1+2	1.862.812.00	
			6B	3	1	16				BACKPANEL EXTENSION CONNECTION			
			6B	4	1	4				Z 1 8 * 3.3 K		57.88.4332	
			6B	4	2	4				Z 2 ** NOT USED **			
K-BRAKEL				1	20	19	31A				TAPE DECK PERIPHERY CONTR.	J19	1.820.762.00
			1	20	68	1				BRAKE SOLENOIDS	J68		
	1		1	40	1	2			BX	M			
K-BRAKER			1	20	19	32A				TAPE DECK PERIPHERY CONTR.	J19	1.820.762.00	
			1	20	68	3				BRAKE SOLENOIDS	J68		
	4		1	41	1	2			BX	M			
KEY/CDIR			1	25	2	8				CONNECTOR SYNCHRONIZER CONTROL	J02		
			1	27	3	15				TO GRP25, ELM02 (SYNCHRONIZER)	P03		
LINE1			7	1	1	1				POWER LINE INPUT		54.42.0026	
			7	1	3	1				POWER SWITCH		55.17.5003	
LINE1-S			7	1	3	2				POWER SWITCH		55.17.5003	
			7	1	5	1				POWER SUPPLY INPUT		54.42.1055	
			7	2	1	1				LINE INPUT		54.42.0026	
			7	3	1	1				LINE INPUT		50.25.0003	
			7	3	2	1				LINE AUXILIARY		50.25.0003	
			7	3	3	1				LINE OUTPUT		50.25.0003	
			7	4	1	9B				PRIMARY DISTRIBUTOR			
			7	4	1	9C				PRIMARY DISTRIBUTOR			
			7	5	1	9B				PRIMARY DISTRIBUTOR			
			7	5	1	9C				PRIMARY DISTRIBUTOR			
			7	6	1	9B				PRIMARY DISTRIBUTOR			
			7	6	1	9C				PRIMARY DISTRIBUTOR			
			7	7	1	9B				PRIMARY DISTRIBUTOR			
			7	7	1	9C				PRIMARY DISTRIBUTOR			
			7	8	1	9B				PRIMARY DISTRIBUTOR			
			7	8	1	9C				PRIMARY DISTRIBUTOR			

STUDER D820 MCH

* STUDER REVOX AG * S I G N A L W I R E L I S T * 91/02/19 * 11:24 * PAGE 431 *	
* 1.862.010.00 D820-48 PCM TAPE - RECORDER * 90/03/21 - 00 *	
SIGNAL NAME	COLOR MI ASY GRP ELM PNT S LV TYPE DESCRIPTION OF ELEMENT REMARK ELEMENT NR.
LINE2	7 1 1 2 7 1 3 3 POWER LINE INPUT POWER SWITCH 54.42.0026 55.17.5003
LINE2-S	7 1 3 4 7 1 5 2 7 2 1 2 7 3 1 3 7 3 2 3 7 3 3 3 7 4 1 1B 7 4 1 1C 7 5 1 1B 7 5 1 1C 7 6 1 1B 7 6 1 1C 7 7 1 1B 7 7 1 1C 7 8 1 1B 7 8 1 1C POWER SWITCH POWER SUPPLY INPUT LINE INPUT LINE INPUT LINE AUXILIARY LINE OUTPUT PRIMARY DISTRIBUTOR PRIMARY DISTRIBUTOR PRIMARY DISTRIBUTOR PRIMARY DISTRIBUTOR PRIMARY DISTRIBUTOR PRIMARY DISTRIBUTOR PRIMARY DISTRIBUTOR PRIMARY DISTRIBUTOR 55.17.5003 54.42.1055 54.42.0026 50.25.0003 50.25.0003 50.25.0003
MA-CH01	1 1 2 1 1 21 10 1 3A 1 11A 21A 3A 11 11 1 5D 1 2 1 AUDIO DATA INPUT, CH 01 TO 08 J02 AUDIO DATA INPUT, CH 01 TO 08 P10 PO1 MAPRO A-GR1 (CH 01-08) MA (MAPRO OUT) A-GR.1/CHANNEL 1- 8 MA (MAPRO OUT) A-GR.1/CHANNEL 1- 8 BACKP.AS1 BACKP.AS1 TD&HD-IF 1.862.652.00
MA-CH02	1 1 2 3 1 21 10 3 3A 1 11A 22A 3A 11 11 3 5D 1 2 3 AUDIO DATA INPUT, CH 01 TO 08 J02 AUDIO DATA INPUT, CH 01 TO 08 P10 PO1 MAPRO A-GR1 (CH 01-08) MA (MAPRO OUT) A-GR.1/CHANNEL 1- 8 MA (MAPRO OUT) A-GR.1/CHANNEL 1- 8 BACKP.AS1 BACKP.AS1 TD&HD-IF 1.862.652.00
MA-CH03	1 1 2 5 1 21 10 5 3A 1 11A 23A 3A 11 11 5 5D 1 2 5 AUDIO DATA INPUT, CH 01 TO 08 J02 AUDIO DATA INPUT, CH 01 TO 08 P10 PO1 MAPRO A-GR1 (CH 01-08) MA (MAPRO OUT) A-GR.1/CHANNEL 1- 8 MA (MAPRO OUT) A-GR.1/CHANNEL 1- 8 BACKP.AS1 BACKP.AS1 TD&HD-IF 1.862.652.00
MA-CH04	1 1 2 7 1 21 10 7 3A 1 11A 24A 3A 11 11 7 5D 1 2 7 AUDIO DATA INPUT, CH 01 TO 08 J02 AUDIO DATA INPUT, CH 01 TO 08 P10 PO1 MAPRO A-GR1 (CH 01-08) MA (MAPRO OUT) A-GR.1/CHANNEL 1- 8 MA (MAPRO OUT) A-GR.1/CHANNEL 1- 8 BACKP.AS1 BACKP.AS1 TD&HD-IF 1.862.652.00
MA-CH05	1 1 2 9 1 21 10 9 3A 1 11A 25A 3A 11 11 9 5D 1 2 9 AUDIO DATA INPUT, CH 01 TO 08 J02 AUDIO DATA INPUT, CH 01 TO 08 P10 PO1 MAPRO A-GR1 (CH 01-08) MA (MAPRO OUT) A-GR.1/CHANNEL 1- 8 MA (MAPRO OUT) A-GR.1/CHANNEL 1- 8 BACKP.AS1 BACKP.AS1 TD&HD-IF 1.862.652.00
MA-CH06	1 1 2 11 1 21 10 11 3A 1 11A 26A 3A 11 11 11 5D 1 2 11 AUDIO DATA INPUT, CH 01 TO 08 J02 AUDIO DATA INPUT, CH 01 TO 08 P10 PO1 MAPRO A-GR1 (CH 01-08) MA (MAPRO OUT) A-GR.1/CHANNEL 1- 8 MA (MAPRO OUT) A-GR.1/CHANNEL 1- 8 BACKP.AS1 BACKP.AS1 TD&HD-IF 1.862.652.00

* STUDER REVOX AG * S I G N A L W I R E L I S T * 91/02/19 * 11:24 * PAGE 432 *	
* 1.862.010.00 D820-48 PCM TAPE - RECORDER * 90/03/21 - 00 *	
SIGNAL NAME	COLOR MI ASY GRP ELM PNT S LV TYPE DESCRIPTION OF ELEMENT REMARK ELEMENT NR.
MA-CH07	1 1 2 13 1 21 10 13 3A 1 11A 27A 3A 11 11 13 5D 1 2 13 AUDIO DATA INPUT, CH 01 TO 08 J02 AUDIO DATA INPUT, CH 01 TO 08 P10 PO1 MAPRO A-GR1 (CH 01-08) MA (MAPRO OUT) A-GR.1/CHANNEL 1- 8 MA (MAPRO OUT) A-GR.1/CHANNEL 1- 8 BACKP.AS1 BACKP.AS1 TD&HD-IF 1.862.652.00
MA-CH08	1 1 2 15 1 21 10 15 3A 1 11A 28A 3A 11 11 15 5D 1 2 15 AUDIO DATA INPUT, CH 01 TO 08 J02 AUDIO DATA INPUT, CH 01 TO 08 P10 PO1 MAPRO A-GR1 (CH 01-08) MA (MAPRO OUT) A-GR.1/CHANNEL 1- 8 MA (MAPRO OUT) A-GR.1/CHANNEL 1- 8 BACKP.AS1 BACKP.AS1 TD&HD-IF 1.862.652.00
MA-CH09	1 2 2 1 1 21 11 1 3B 2 11A 21A 3B 10 11 1 5D 2 2 1 AUDIO DATA INPUT, CH 09 TO 16 J02 AUDIO DATA INPUT, CH 09 TO 16 P11 PO1 MAPRO A-GR2 (CH 09-16) MA (MAPRO OUT) A-GR.2/CHANNEL 9-16 MA (MAPRO OUT) A-GR.2/CHANNEL 9-16 BACKP.AA1 BACKP.AA1 TD&HD-IF 1.862.652.00
MA-CH10	1 2 2 3 1 21 11 3 3B 2 11A 22A 3B 10 11 3 5D 2 2 3 AUDIO DATA INPUT, CH 09 TO 16 J02 AUDIO DATA INPUT, CH 09 TO 16 P11 PO1 MAPRO A-GR2 (CH 09-16) MA (MAPRO OUT) A-GR.2/CHANNEL 9-16 MA (MAPRO OUT) A-GR.2/CHANNEL 9-16 BACKP.AA1 BACKP.AA1 TD&HD-IF 1.862.652.00
MA-CH11	1 2 2 5 1 21 11 5 3B 2 11A 23A 3B 10 11 5 5D 2 2 5 AUDIO DATA INPUT, CH 09 TO 16 J02 AUDIO DATA INPUT, CH 09 TO 16 P11 PO1 MAPRO A-GR2 (CH 09-16) MA (MAPRO OUT) A-GR.2/CHANNEL 9-16 MA (MAPRO OUT) A-GR.2/CHANNEL 9-16 BACKP.AA1 BACKP.AA1 TD&HD-IF 1.862.652.00
MA-CH12	1 2 2 7 1 21 11 7 3B 2 11A 24A 3B 10 11 7 5D 2 2 7 AUDIO DATA INPUT, CH 09 TO 16 J02 AUDIO DATA INPUT, CH 09 TO 16 P11 PO1 MAPRO A-GR2 (CH 09-16) MA (MAPRO OUT) A-GR.2/CHANNEL 9-16 MA (MAPRO OUT) A-GR.2/CHANNEL 9-16 BACKP.AA1 BACKP.AA1 TD&HD-IF 1.862.652.00
MA-CH13	1 2 2 9 1 21 11 9 3B 2 11A 25A 3B 10 11 9 5D 2 2 9 AUDIO DATA INPUT, CH 09 TO 16 J02 AUDIO DATA INPUT, CH 09 TO 16 P11 PO1 MAPRO A-GR2 (CH 09-16) MA (MAPRO OUT) A-GR.2/CHANNEL 9-16 MA (MAPRO OUT) A-GR.2/CHANNEL 9-16 BACKP.AA1 BACKP.AA1 TD&HD-IF 1.862.652.00
MA-CH14	1 2 2 11 1 21 11 11 3B 2 11A 26A 3B 10 11 11 5D 2 2 11 AUDIO DATA INPUT, CH 09 TO 16 J02 AUDIO DATA INPUT, CH 09 TO 16 P11 PO1 MAPRO A-GR2 (CH 09-16) MA (MAPRO OUT) A-GR.2/CHANNEL 9-16 MA (MAPRO OUT) A-GR.2/CHANNEL 9-16 BACKP.AA1 BACKP.AA1 TD&HD-IF 1.862.652.00
MA-CH15	1 2 2 13 1 21 11 13 3B 2 11A 27A 3B 10 11 13 5D 2 2 13 AUDIO DATA INPUT, CH 09 TO 16 J02 AUDIO DATA INPUT, CH 09 TO 16 P11 PO1 MAPRO A-GR2 (CH 09-16) MA (MAPRO OUT) A-GR.2/CHANNEL 9-16 MA (MAPRO OUT) A-GR.2/CHANNEL 9-16 BACKP.AA1 BACKP.AA1 TD&HD-IF 1.862.652.00

* STUDER REVOX AG * S I G N A L W I R E L I S T * 91/02/19 * 11:24 * P A G E 433 *
* 1.862.010.00 D820-48 PCM TAPE - RECORDER * 90/03/21 - 00 *

Table with columns: SIGNAL NAME, COLOR, MI, ASY, GRP, ELM, PNT, S, LV, TYPE, DESCRIPTION OF ELEMENT, REMARK, ELEMENT NR. Rows MA-CH16 through MA-CH24.

* STUDER REVOX AG * S I G N A L W I R E L I S T * 91/02/19 * 11:24 * P A G E 434 *
* 1.862.010.00 D820-48 PCM TAPE - RECORDER * 90/03/21 - 00 *

Table with columns: SIGNAL NAME, COLOR, MI, ASY, GRP, ELM, PNT, S, LV, TYPE, DESCRIPTION OF ELEMENT, REMARK, ELEMENT NR. Rows MA-CH25 through MA-CH33.

STUDER D820 MCH

```
*****
* STUDER REVOX AG * S I G N A L H I R E L I S T * 91/02/19 * 11:24 * P A G E 435 *
*****
* 1.862.010.00 D820-48 PCM TAPE - RECORDER * 90/03/21 - 00 *
*****
```

SIGNAL NAME	COLOR	MI	ASY	GRP	ELM	PNT	S	LV	TYPE	DESCRIPTION OF ELEMENT	REMARK	ELEMENT NR.
MA-CH34			1	2	6	3				AUDIO DATA INPUT, CH 33 TO 40	J06	
			1	21	14	3				AUDIO DATA INPUT, CH 33 TO 40	P14	
			4B	5	11A	22A				P01 MAPRO A-GR5 (CH 33-40)		BACKP. AA2
			4B	10	11	3				MA (MAPRO OUT) A-GR.5/CHANNEL 33-40		BACKP. AA2
			5D	2	6	3				MA (MAPRO OUT) A-GR.5/CHANNEL 33-40	TD&HD-IF	1.862.652.00
MA-CH35			1	2	6	5				AUDIO DATA INPUT, CH 33 TO 40	J06	
			1	21	14	5				AUDIO DATA INPUT, CH 33 TO 40	P14	
			4B	5	11A	23A				P01 MAPRO A-GR5 (CH 33-40)		BACKP. AA2
			4B	10	11	5				MA (MAPRO OUT) A-GR.5/CHANNEL 33-40		BACKP. AA2
			5D	2	6	5				MA (MAPRO OUT) A-GR.5/CHANNEL 33-40	TD&HD-IF	1.862.652.00
MA-CH36			1	2	6	7				AUDIO DATA INPUT, CH 33 TO 40	J06	
			1	21	14	7				AUDIO DATA INPUT, CH 33 TO 40	P14	
			4B	5	11A	24A				P01 MAPRO A-GR5 (CH 33-40)		BACKP. AA2
			4B	10	11	7				MA (MAPRO OUT) A-GR.5/CHANNEL 33-40		BACKP. AA2
			5D	2	6	7				MA (MAPRO OUT) A-GR.5/CHANNEL 33-40	TD&HD-IF	1.862.652.00
MA-CH37			1	2	6	9				AUDIO DATA INPUT, CH 33 TO 40	J06	
			1	21	14	9				AUDIO DATA INPUT, CH 33 TO 40	P14	
			4B	5	11A	25A				P01 MAPRO A-GR5 (CH 33-40)		BACKP. AA2
			4B	10	11	9				MA (MAPRO OUT) A-GR.5/CHANNEL 33-40		BACKP. AA2
			5D	2	6	9				MA (MAPRO OUT) A-GR.5/CHANNEL 33-40	TD&HD-IF	1.862.652.00
MA-CH38			1	2	6	11				AUDIO DATA INPUT, CH 33 TO 40	J06	
			1	21	14	11				AUDIO DATA INPUT, CH 33 TO 40	P14	
			4B	5	11A	26A				P01 MAPRO A-GR5 (CH 33-40)		BACKP. AA2
			4B	10	11	11				MA (MAPRO OUT) A-GR.5/CHANNEL 33-40		BACKP. AA2
			5D	2	6	11				MA (MAPRO OUT) A-GR.5/CHANNEL 33-40	TD&HD-IF	1.862.652.00
MA-CH39			1	2	6	13				AUDIO DATA INPUT, CH 33 TO 40	J06	
			1	21	14	13				AUDIO DATA INPUT, CH 33 TO 40	P14	
			4B	5	11A	27A				P01 MAPRO A-GR5 (CH 33-40)		BACKP. AA2
			4B	10	11	13				MA (MAPRO OUT) A-GR.5/CHANNEL 33-40		BACKP. AA2
			5D	2	6	13				MA (MAPRO OUT) A-GR.5/CHANNEL 33-40	TD&HD-IF	1.862.652.00
MA-CH40			1	2	6	15				AUDIO DATA INPUT, CH 33 TO 40	J06	
			1	21	14	15				AUDIO DATA INPUT, CH 33 TO 40	P14	
			4B	5	11A	28A				P01 MAPRO A-GR5 (CH 33-40)		BACKP. AA2
			4B	10	11	15				MA (MAPRO OUT) A-GR.5/CHANNEL 33-40		BACKP. AA2
			5D	2	6	15				MA (MAPRO OUT) A-GR.5/CHANNEL 33-40	TD&HD-IF	1.862.652.00
MA-CH41			1	2	8	1				AUDIO DATA INPUT, CH 41 TO 48	J08	
			1	21	15	1				AUDIO DATA INPUT, CH 41 TO 48	P15	
			4B	6	11A	21A				P01 MAPRO A-GR6 (CH 41-48)		BACKP. AA2
			4B	11	11	1				MA (MAPRO OUT) A-GR.6/CHANNEL 41-48		BACKP. AA2
			5D	2	8	1				MA (MAPRO OUT) A-GR.6/CHANNEL 41-48	TD&HD-IF	1.862.652.00
MA-CH42			1	2	8	3				AUDIO DATA INPUT, CH 41 TO 48	J08	
			1	21	15	3				AUDIO DATA INPUT, CH 41 TO 48	P15	
			4B	6	11A	22A				P01 MAPRO A-GR6 (CH 41-48)		BACKP. AA2
			4B	11	11	3				MA (MAPRO OUT) A-GR.6/CHANNEL 41-48		BACKP. AA2
			5D	2	8	3				MA (MAPRO OUT) A-GR.6/CHANNEL 41-48	TD&HD-IF	1.862.652.00

```
*****
* STUDER REVOX AG * S I G N A L H I R E L I S T * 91/02/19 * 11:24 * P A G E 436 *
*****
* 1.862.010.00 D820-48 PCM TAPE - RECORDER * 90/03/21 - 00 *
*****
```

SIGNAL NAME	COLOR	MI	ASY	GRP	ELM	PNT	S	LV	TYPE	DESCRIPTION OF ELEMENT	REMARK	ELEMENT NR.
MA-CH43			1	2	8	5				AUDIO DATA INPUT, CH 41 TO 48	J08	
			1	21	15	5				AUDIO DATA INPUT, CH 41 TO 48	P15	
			4B	6	11A	23A				P01 MAPRO A-GR6 (CH 41-48)		BACKP. AA2
			4B	11	11	5				MA (MAPRO OUT) A-GR.6/CHANNEL 41-48		BACKP. AA2
			5D	2	8	5				MA (MAPRO OUT) A-GR.6/CHANNEL 41-48	TD&HD-IF	1.862.652.00
MA-CH44			1	2	8	7				AUDIO DATA INPUT, CH 41 TO 48	J08	
			1	21	15	7				AUDIO DATA INPUT, CH 41 TO 48	P15	
			4B	6	11A	24A				P01 MAPRO A-GR6 (CH 41-48)		BACKP. AA2
			4B	11	11	7				MA (MAPRO OUT) A-GR.6/CHANNEL 41-48		BACKP. AA2
			5D	2	8	7				MA (MAPRO OUT) A-GR.6/CHANNEL 41-48	TD&HD-IF	1.862.652.00
MA-CH45			1	2	8	9				AUDIO DATA INPUT, CH 41 TO 48	J08	
			1	21	15	9				AUDIO DATA INPUT, CH 41 TO 48	P15	
			4B	6	11A	25A				P01 MAPRO A-GR6 (CH 41-48)		BACKP. AA2
			4B	11	11	9				MA (MAPRO OUT) A-GR.6/CHANNEL 41-48		BACKP. AA2
			5D	2	8	9				MA (MAPRO OUT) A-GR.6/CHANNEL 41-48	TD&HD-IF	1.862.652.00
MA-CH46			1	2	8	11				AUDIO DATA INPUT, CH 41 TO 48	J08	
			1	21	15	11				AUDIO DATA INPUT, CH 41 TO 48	P15	
			4B	6	11A	26A				P01 MAPRO A-GR6 (CH 41-48)		BACKP. AA2
			4B	11	11	11				MA (MAPRO OUT) A-GR.6/CHANNEL 41-48		BACKP. AA2
			5D	2	8	11				MA (MAPRO OUT) A-GR.6/CHANNEL 41-48	TD&HD-IF	1.862.652.00
MA-CH47			1	2	8	13				AUDIO DATA INPUT, CH 41 TO 48	J08	
			1	21	15	13				AUDIO DATA INPUT, CH 41 TO 48	P15	
			4B	6	11A	27A				P01 MAPRO A-GR6 (CH 41-48)		BACKP. AA2
			4B	11	11	13				MA (MAPRO OUT) A-GR.6/CHANNEL 41-48		BACKP. AA2
			5D	2	8	13				MA (MAPRO OUT) A-GR.6/CHANNEL 41-48	TD&HD-IF	1.862.652.00
MA-CH48			1	2	8	15				AUDIO DATA INPUT, CH 41 TO 48	J08	
			1	21	15	15				AUDIO DATA INPUT, CH 41 TO 48	P15	
			4B	6	11A	28A				P01 MAPRO A-GR6 (CH 41-48)		BACKP. AA2
			4B	11	11	15				MA (MAPRO OUT) A-GR.6/CHANNEL 41-48		BACKP. AA2
			5D	2	8	15				MA (MAPRO OUT) A-GR.6/CHANNEL 41-48	TD&HD-IF	1.862.652.00
MA-ICH01			1	1	2	2				AUDIO DATA INPUT, CH 01 TO 08	J02	
			1	21	10	2				AUDIO DATA INPUT, CH 01 TO 08	P10	
			3A	1	11C	21C				P01 MAPRO A-GR1 (CH 01-08)		BACKP. AS1
			3A	11	11	2				MA (MAPRO OUT) A-GR.1/CHANNEL 1- 8		BACKP. AS1
			5D	1	2	2				MA (MAPRO OUT) A-GR.1/CHANNEL 1- 8	TD&HD-IF	1.862.652.00
MA-ICH02			1	1	2	4				AUDIO DATA INPUT, CH 01 TO 08	J02	
			1	21	10	4				AUDIO DATA INPUT, CH 01 TO 08	P10	
			3A	1	11C	22C				P01 MAPRO A-GR1 (CH 01-08)		BACKP. AS1
			3A	11	11	4				MA (MAPRO OUT) A-GR.1/CHANNEL 1- 8		BACKP. AS1
			5D	1	2	4				MA (MAPRO OUT) A-GR.1/CHANNEL 1- 8	TD&HD-IF	1.862.652.00
MA-ICH03			1	1	2	6				AUDIO DATA INPUT, CH 01 TO 08	J02	
			1	21	10	6				AUDIO DATA INPUT, CH 01 TO 08	P10	
			3A	1	11C	23C				P01 MAPRO A-GR1 (CH 01-08)		BACKP. AS1
			3A	11	11	6				MA (MAPRO OUT) A-GR.1/CHANNEL 1- 8		BACKP. AS1
			5D	1	2	6				MA (MAPRO OUT) A-GR.1/CHANNEL 1- 8	TD&HD-IF	1.862.652.00

* STUDER REVOX AG * SIGNAL WIRE LIST * 91/02/19 * 11:24 * PAGE 437 *
* 1.862.010.00 D820-48 PCM TAPE - RECORDER * 90/03/21 - 00 *

Table with columns: SIGNAL NAME, COLOR, MI, ASY, GRP, ELM, PNT, S, LV, TYPE, DESCRIPTION OF ELEMENT, REMARK, ELEMENT NR. Rows include MA-ICH04, MA-ICH05, MA-ICH06, MA-ICH07, MA-ICH08, MA-ICH09, MA-ICH10, MA-ICH11, MA-ICH12.

* STUDER REVOX AG * SIGNAL WIRE LIST * 91/02/19 * 11:24 * PAGE 438 *
* 1.862.010.00 D820-48 PCM TAPE - RECORDER * 90/03/21 - 00 *

Table with columns: SIGNAL NAME, COLOR, MI, ASY, GRP, ELM, PNT, S, LV, TYPE, DESCRIPTION OF ELEMENT, REMARK, ELEMENT NR. Rows include MA-ICH13, MA-ICH14, MA-ICH15, MA-ICH16, MA-ICH17, MA-ICH18, MA-ICH19, MA-ICH20, MA-ICH21.


```
*****
*   STUDER REVOX AG   *   S I G N A L   W I R E   L I S T   * 91/02/19 * 11:24 * PAGE 441 *
*****
*   1.862.010.00   D820-48   PCM TAPE - RECORDER   * 90/03/21 - 00
*****
```

SIGNAL NAME	COLOR	MI	ASY	GRP	ELM	PNT	S	LV	TYPE	DESCRIPTION OF ELEMENT	REMARK	ELEMENT NR.
MA-ICH40			1	2	6	16				AUDIO DATA INPUT, CH 33 TO 40 AUDIO DATA INPUT, CH 33 TO 40 P01 MAPRO A-GR5 (CH 33-40) MA (MAPRO OUT) A-GR.5/CHANNEL 33-40 MA (MAPRO OUT) A-GR.5/CHANNEL 33-40	J06 P14 BACKP.AA2 BACKP.AA2 TD&HD-IF	1.862.652.00
MA-ICH41			1	2	8	2				AUDIO DATA INPUT, CH 41 TO 48 AUDIO DATA INPUT, CH 41 TO 48 P01 MAPRO A-GR6 (CH 41-48) MA (MAPRO OUT) A-GR.6/CHANNEL 41-48 MA (MAPRO OUT) A-GR.6/CHANNEL 41-48	J08 P15 BACKP.AA2 BACKP.AA2 TD&HD-IF	1.862.652.00
MA-ICH42			1	2	8	4				AUDIO DATA INPUT, CH 41 TO 48 AUDIO DATA INPUT, CH 41 TO 48 P01 MAPRO A-GR6 (CH 41-48) MA (MAPRO OUT) A-GR.6/CHANNEL 41-48 MA (MAPRO OUT) A-GR.6/CHANNEL 41-48	J08 P15 BACKP.AA2 BACKP.AA2 TD&HD-IF	1.862.652.00
MA-ICH43			1	2	8	6				AUDIO DATA INPUT, CH 41 TO 48 AUDIO DATA INPUT, CH 41 TO 48 P01 MAPRO A-GR6 (CH 41-48) MA (MAPRO OUT) A-GR.6/CHANNEL 41-48 MA (MAPRO OUT) A-GR.6/CHANNEL 41-48	J08 P15 BACKP.AA2 BACKP.AA2 TD&HD-IF	1.862.652.00
MA-ICH44			1	2	8	8				AUDIO DATA INPUT, CH 41 TO 48 AUDIO DATA INPUT, CH 41 TO 48 P01 MAPRO A-GR6 (CH 41-48) MA (MAPRO OUT) A-GR.6/CHANNEL 41-48 MA (MAPRO OUT) A-GR.6/CHANNEL 41-48	J08 P15 BACKP.AA2 BACKP.AA2 TD&HD-IF	1.862.652.00
MA-ICH45			1	2	8	10				AUDIO DATA INPUT, CH 41 TO 48 AUDIO DATA INPUT, CH 41 TO 48 P01 MAPRO A-GR6 (CH 41-48) MA (MAPRO OUT) A-GR.6/CHANNEL 41-48 MA (MAPRO OUT) A-GR.6/CHANNEL 41-48	J08 P15 BACKP.AA2 BACKP.AA2 TD&HD-IF	1.862.652.00
MA-ICH46			1	2	8	12				AUDIO DATA INPUT, CH 41 TO 48 AUDIO DATA INPUT, CH 41 TO 48 P01 MAPRO A-GR6 (CH 41-48) MA (MAPRO OUT) A-GR.6/CHANNEL 41-48 MA (MAPRO OUT) A-GR.6/CHANNEL 41-48	J08 P15 BACKP.AA2 BACKP.AA2 TD&HD-IF	1.862.652.00
MA-ICH47			1	2	8	14				AUDIO DATA INPUT, CH 41 TO 48 AUDIO DATA INPUT, CH 41 TO 48 P01 MAPRO A-GR6 (CH 41-48) MA (MAPRO OUT) A-GR.6/CHANNEL 41-48 MA (MAPRO OUT) A-GR.6/CHANNEL 41-48	J08 P15 BACKP.AA2 BACKP.AA2 TD&HD-IF	1.862.652.00
MA-ICH48			1	2	8	16				AUDIO DATA INPUT, CH 41 TO 48 AUDIO DATA INPUT, CH 41 TO 48 P01 MAPRO A-GR6 (CH 41-48) MA (MAPRO OUT) A-GR.6/CHANNEL 41-48 MA (MAPRO OUT) A-GR.6/CHANNEL 41-48	J08 P15 BACKP.AA2 BACKP.AA2 TD&HD-IF	1.862.652.00
MA-1DA12			3A	1	11C	12C				P01 MAPRO A-GR1 (CH 01-08) P01 DA A-GR1 (CH 01-08)	BACKP.AS1 BACKP.AS1	1.862.652.00 1.862.651.00

STUDER D820 MCH

* STUDER REVOX AG * S I G N A L W I R E L I S T * 91/02/19 * 11:24 * PAGE 442 *

* 1.862.010.00 D820-48 PCM TAPE - RECORDER * 90/03/21 - 00 *

Table with columns: SIGNAL NAME, COLOR, MI, ASY GRP ELM PNT, S LV TYPE, DESCRIPTION OF ELEMENT, REMARK, ELEMENT NR. Contains entries for MA-1DA13 through MA-1D06, each listing components and their descriptions.

* STUDER REVOX AG * S I G N A L W I R E L I S T * 91/02/19 * 11:24 * PAGE 443 *

* 1.862.010.00 D820-48 PCM TAPE - RECORDER * 90/03/21 - 00 *

Table with columns: SIGNAL NAME, COLOR, MI, ASY GRP ELM PNT, S LV TYPE, DESCRIPTION OF ELEMENT, REMARK, ELEMENT NR. Contains entries for MA-1D07 through MA-1MR, listing components and their descriptions.

* STUDER REVOX AG * S I G N A L W I R E L I S T * 91/02/19 * 11:24 * P A G E 444 *

* 1.862.010.00 D820-48 PCM TAPE - RECORDER * 90/03/21 - 00 *****

Table with columns: SIGNAL NAME, COLOR, MI, ASY GRP, ELM, PNT, S, LV, TYPE, DESCRIPTION OF ELEMENT, REMARK, ELEMENT NR. Rows include MA-2DA12 to MA-2D05.

* STUDER REVOX AG * S I G N A L W I R E L I S T * 91/02/19 * 11:24 * P A G E 445 *

* 1.862.010.00 D820-48 PCM TAPE - RECORDER * 90/03/21 - 00 *****

Table with columns: SIGNAL NAME, COLOR, MI, ASY GRP, ELM, PNT, S, LV, TYPE, DESCRIPTION OF ELEMENT, REMARK, ELEMENT NR. Rows include MA-2D06 to MA-2RD.

* STUDER REVOX AG * S I G N A L W I R E L I S T * 91/02/19 * 11:24 * P A G E 448 *

* 1.862.010.00 D820-48 PCM TAPE - RECORDER * 90/03/21 - 00 *****

Table with columns: SIGNAL NAME, COLOR, MI, ASY, GRP, ELM, PNT, S, LV, TYPE, DESCRIPTION OF ELEMENT, REMARK, ELEMENT NR. Rows include MA-3RD, MA-3WR, MA-4DA12 through MA-4D03.

* STUDER REVOX AG * S I G N A L W I R E L I S T * 91/02/19 * 11:24 * P A G E 449 *

* 1.862.010.00 D820-48 PCM TAPE - RECORDER * 90/03/21 - 00 *****

Table with columns: SIGNAL NAME, COLOR, MI, ASY, GRP, ELM, PNT, S, LV, TYPE, DESCRIPTION OF ELEMENT, REMARK, ELEMENT NR. Rows include MA-4D04 through MA-4D14.

STUDER D820 MCH

* STUDER REVOX AG * S I G N A L W I R E L I S T * 91/02/19 * 11:24 * PAGE 454 *
 * 1.862.010.00 D820-48 PCM TAPE - RECORDER * 90/03/21 - 00 *

SIGNAL NAME	COLOR	MI	ASY	GRP	ELM	PNT	S	LV	TYPE	DESCRIPTION OF ELEMENT	REMARK	ELEMENT NR.
MA-6D13			4B	6	11C	4C				P01 MAPRO A-GR6 (CH 41-48)	BACKP.AA2	1.862.652.00
			4B	6	21C	4C				P01 DA A-GR6 (CH 41-48)	BACKP.AA2	1.862.651.00
			4B	6	31C	4C				P01 IO A-GR6 (CH 41-48)	BACKP.AA2	1.862.653.00
			4B	6	41C	4C				P01 AD A-GR6 (CH 41-48)	BACKP.AA2	1.862.650.00
MA-6D14			4B	6	11A	3A				P01 MAPRO A-GR6 (CH 41-48)	BACKP.AA2	1.862.652.00
			4B	6	21A	3A				P01 DA A-GR6 (CH 41-48)	BACKP.AA2	1.862.651.00
			4B	6	31A	3A				P01 IO A-GR6 (CH 41-48)	BACKP.AA2	1.862.653.00
			4B	6	41A	3A				P01 AD A-GR6 (CH 41-48)	BACKP.AA2	1.862.650.00
MA-6D15			4B	6	11C	3C				P01 MAPRO A-GR6 (CH 41-48)	BACKP.AA2	1.862.652.00
			4B	6	21C	3C				P01 DA A-GR6 (CH 41-48)	BACKP.AA2	1.862.651.00
			4B	6	31C	3C				P01 IO A-GR6 (CH 41-48)	BACKP.AA2	1.862.653.00
			4B	6	41C	3C				P01 AD A-GR6 (CH 41-48)	BACKP.AA2	1.862.650.00
MA-6RD			4B	6	11C	11C				P01 MAPRO A-GR6 (CH 41-48)	BACKP.AA2	1.862.652.00
			4B	6	21C	11C				P01 DA A-GR6 (CH 41-48)	BACKP.AA2	1.862.651.00
			4B	6	31C	11C				P01 IO A-GR6 (CH 41-48)	BACKP.AA2	1.862.653.00
			4B	6	41C	11C				P01 AD A-GR6 (CH 41-48)	BACKP.AA2	1.862.650.00
MA-6MR			4B	6	11A	11A				P01 MAPRO A-GR6 (CH 41-48)	BACKP.AA2	1.862.652.00
			4B	6	21A	11A				P01 DA A-GR6 (CH 41-48)	BACKP.AA2	1.862.651.00
			4B	6	31A	11A				P01 IO A-GR6 (CH 41-48)	BACKP.AA2	1.862.653.00
			4B	6	41A	11A				P01 AD A-GR6 (CH 41-48)	BACKP.AA2	1.862.650.00
MI-D01A			4A	2S	32A	5A				P02 MASTER I/O A (CH 01-24)	BACKP.AS2	1.862.663.00
			4A	10S	33	2				MIO A OUT/1 CHANNEL 1-13	BACKP.AS2	
			5B	1	2	2				DIG. AUDIO OUT 50POL/F CH 1-24	DICONC 1	
			5B	1	22	2				MIO A OUT/1 CHANNEL 1-13	DICONC 1	
MI-D01B			4A	2S	42A	3A				P02 MASTER I/O B (CH 25-48)	BACKP.AS2	1.862.663.00
			4A	10S	43	2				MIO B OUT/1 CHANNEL 25-37	BACKP.AS2	
			5B	2	2	2				DIG. AUDIO OUT 50POL/F CH 25-48	DICONC 2	
			5B	2	22	2				MIO B OUT/1 CHANNEL 25-37	DICONC 2	
MI-D02A			4A	2S	32A	5A				P02 MASTER I/O A (CH 01-24)	BACKP.AS2	1.862.663.00
			4A	10S	33	6				MIO A OUT/1 CHANNEL 1-13	BACKP.AS2	
			5B	1	2	4				DIG. AUDIO OUT 50POL/F CH 1-24	DICONC 1	
			5B	1	22	6				MIO A OUT/1 CHANNEL 1-13	DICONC 1	
MI-D02B			4A	2S	42A	5A				P02 MASTER I/O B (CH 25-48)	BACKP.AS2	1.862.663.00
			4A	10S	43	6				MIO B OUT/1 CHANNEL 25-37	BACKP.AS2	
			5B	2	2	4				DIG. AUDIO OUT 50POL/F CH 25-48	DICONC 2	
			5B	2	22	6				MIO B OUT/1 CHANNEL 25-37	DICONC 2	
MI-D03A			4A	2S	32A	7A				P02 MASTER I/O A (CH 01-24)	BACKP.AS2	1.862.663.00
			4A	10S	33	10				MIO A OUT/1 CHANNEL 1-13	BACKP.AS2	
			5B	1	2	6				DIG. AUDIO OUT 50POL/F CH 1-24	DICONC 1	
			5B	1	22	10				MIO A OUT/1 CHANNEL 1-13	DICONC 1	
MI-D03B			4A	2S	42A	7A				P02 MASTER I/O B (CH 25-48)	BACKP.AS2	1.862.663.00
			4A	10S	43	10				MIO B OUT/1 CHANNEL 25-37	BACKP.AS2	
			5B	2	2	6				DIG. AUDIO OUT 50POL/F CH 25-48	DICONC 2	
			5B	2	22	10				MIO B OUT/1 CHANNEL 25-37	DICONC 2	

 * STUDER REVOX AG * S I G N A L W I R E L I S T * 91/02/19 * 11:24 * PAGE 455 *
 * 1.862.010.00 D820-48 PCM TAPE - RECORDER * 90/03/21 - 00 *

SIGNAL NAME	COLOR	MI	ASY	GRP	ELM	PNT	S	LV	TYPE	DESCRIPTION OF ELEMENT	REMARK	ELEMENT NR.
MI-D04A			4A	2S	32A	9A				P02 MASTER I/O A (CH 01-24)	BACKP.AS2	1.862.663.00
			4A	10S	33	14				MIO A OUT/1 CHANNEL 1-13	BACKP.AS2	
			5B	1	2	8				DIG. AUDIO OUT 50POL/F CH 1-24	DICONC 1	
			5B	1	22	14				MIO A OUT/1 CHANNEL 1-13	DICONC 1	
MI-D04B			4A	2S	42A	9A				P02 MASTER I/O B (CH 25-48)	BACKP.AS2	1.862.663.00
			4A	10S	43	14				MIO B OUT/1 CHANNEL 25-37	BACKP.AS2	
			5B	2	2	8				DIG. AUDIO OUT 50POL/F CH 25-48	DICONC 2	
			5B	2	22	14				MIO B OUT/1 CHANNEL 25-37	DICONC 2	
MI-D05A			4A	2S	32A	12A				P02 MASTER I/O A (CH 01-24)	BACKP.AS2	1.862.663.00
			4A	10S	33	18				MIO A OUT/1 CHANNEL 1-13	BACKP.AS2	
			5B	1	2	10				DIG. AUDIO OUT 50POL/F CH 1-24	DICONC 1	
			5B	1	22	18				MIO A OUT/1 CHANNEL 1-13	DICONC 1	
MI-D05B			4A	2S	42A	12A				P02 MASTER I/O B (CH 25-48)	BACKP.AS2	1.862.663.00
			4A	10S	43	18				MIO B OUT/1 CHANNEL 25-37	BACKP.AS2	
			5B	2	2	10				DIG. AUDIO OUT 50POL/F CH 25-48	DICONC 2	
			5B	2	22	18				MIO B OUT/1 CHANNEL 25-37	DICONC 2	
MI-D06A			4A	2S	32B	3B				P02 MASTER I/O A (CH 01-24)	BACKP.AS2	1.862.663.00
			4A	10S	33	3				MIO A OUT/1 CHANNEL 1-13	BACKP.AS2	
			5B	1	2	12				DIG. AUDIO OUT 50POL/F CH 1-24	DICONC 1	
			5B	1	22	3				MIO A OUT/1 CHANNEL 1-13	DICONC 1	
MI-D06B			4A	2S	42B	3B				P02 MASTER I/O B (CH 25-48)	BACKP.AS2	1.862.663.00
			4A	10S	43	3				MIO B OUT/1 CHANNEL 25-37	BACKP.AS2	
			5B	2	2	12				DIG. AUDIO OUT 50POL/F CH 25-48	DICONC 2	
			5B	2	22	3				MIO B OUT/1 CHANNEL 25-37	DICONC 2	
MI-D07A			4A	2S	32B	5B				P02 MASTER I/O A (CH 01-24)	BACKP.AS2	1.862.663.00
			4A	10S	33	7				MIO A OUT/1 CHANNEL 1-13	BACKP.AS2	
			5B	1	2	14				DIG. AUDIO OUT 50POL/F CH 1-24	DICONC 1	
			5B	1	22	7				MIO A OUT/1 CHANNEL 1-13	DICONC 1	
MI-D07B			4A	2S	42B	5B				P02 MASTER I/O B (CH 25-48)	BACKP.AS2	1.862.663.00
			4A	10S	43	7				MIO B OUT/1 CHANNEL 25-37	BACKP.AS2	
			5B	2	2	14				DIG. AUDIO OUT 50POL/F CH 25-48	DICONC 2	
			5B	2	22	7				MIO B OUT/1 CHANNEL 25-37	DICONC 2	
MI-D08A			4A	2S	32B	7B				P02 MASTER I/O A (CH 01-24)	BACKP.AS2	1.862.663.00
			4A	10S	33	11				MIO A OUT/1 CHANNEL 1-13	BACKP.AS2	
			5B	1	2	16				DIG. AUDIO OUT 50POL/F CH 1-24	DICONC 1	
			5B	1	22	11				MIO A OUT/1 CHANNEL 1-13	DICONC 1	
MI-D08B			4A	2S	42B	7B				P02 MASTER I/O B (CH 25-48)	BACKP.AS2	1.862.663.00
			4A	10S	43	11				MIO B OUT/1 CHANNEL 25-37	BACKP.AS2	
			5B	2	2	16				DIG. AUDIO OUT 50POL/F CH 25-48	DICONC 2	
			5B	2	22	11				MIO B OUT/1 CHANNEL 25-37	DICONC 2	
MI-D09A			4A	2S	32B	9B				P02 MASTER I/O A (CH 01-24)	BACKP.AS2	1.862.663.00
			4A	10S	33	15				MIO A OUT/1 CHANNEL 1-13	BACKP.AS2	
			5B	1	2	18				DIG. AUDIO OUT 50POL/F CH 1-24	DICONC 1	
			5B	1	22	15				MIO A OUT/1 CHANNEL 1-13	DICONC 1	

STUDER D820 MCH

```

* STUDER REVOX AG * S I G N A L W I R E L I S T * 91/02/19 * 11:24 * PAGE 456 *
*****
* 1.862.010.00 D820-48 PCM TAPE - RECORDER * 90/03/21 - 00 *****
*****
  
```

SIGNAL NAME	COLOR	MI	ASY	GRP	ELM	PNT	S	LV	TYPE	DESCRIPTION OF ELEMENT	REMARK	ELEMENT NR.
MI-D09B			4A	2S	42B	9B				P02 MASTER I/O B (CH 25-48)	BACKP.AS2	1.862.663.00
			4A	10S	43	15				MIO B OUT/1 CHANNEL 25-37	BACKP.AS2	
			5B	2	2	18				DIG. AUDIO OUT 50POL/F CH 25-48	DICONC 2	
			5B	2	22	15				MIO B OUT/1 CHANNEL 25-37	DICONC 2	
MI-D10A			4A	2S	32B	12B				P02 MASTER I/O A (CH 01-24)	BACKP.AS2	1.862.663.00
			4A	10S	33	19				MIO A OUT/1 CHANNEL 1-13	BACKP.AS2	
			5B	1	2	20				DIG. AUDIO OUT 50POL/F CH 1-24	DICONC 1	
			5B	1	22	19				MIO A OUT/1 CHANNEL 1-13	DICONC 1	
MI-D10B			4A	2S	42B	12B				P02 MASTER I/O B (CH 25-48)	BACKP.AS2	1.862.663.00
			4A	10S	43	19				MIO B OUT/1 CHANNEL 25-37	BACKP.AS2	
			5B	2	2	20				DIG. AUDIO OUT 50POL/F CH 25-48	DICONC 2	
			5B	2	22	19				MIO B OUT/1 CHANNEL 25-37	DICONC 2	
MI-D11A			4A	2S	32B	14B				P02 MASTER I/O A (CH 01-24)	BACKP.AS2	1.862.663.00
			4A	10S	33	21				MIO A OUT/1 CHANNEL 1-13	BACKP.AS2	
			5B	1	2	22				DIG. AUDIO OUT 50POL/F CH 1-24	DICONC 1	
			5B	1	22	21				MIO A OUT/1 CHANNEL 1-13	DICONC 1	
MI-D11B			4A	2S	42B	14B				P02 MASTER I/O B (CH 25-48)	BACKP.AS2	1.862.663.00
			4A	10S	43	21				MIO B OUT/1 CHANNEL 25-37	BACKP.AS2	
			5B	2	2	22				DIG. AUDIO OUT 50POL/F CH 25-48	DICONC 2	
			5B	2	22	21				MIO B OUT/1 CHANNEL 25-37	DICONC 2	
MI-D12A			4A	2S	32B	16B				P02 MASTER I/O A (CH 01-24)	BACKP.AS2	1.862.663.00
			4A	10S	33	23				MIO A OUT/1 CHANNEL 1-13	BACKP.AS2	
			5B	1	2	24				DIG. AUDIO OUT 50POL/F CH 1-24	DICONC 1	
			5B	1	22	23				MIO A OUT/1 CHANNEL 1-13	DICONC 1	
MI-D12B			4A	2S	42B	16B				P02 MASTER I/O B (CH 25-48)	BACKP.AS2	1.862.663.00
			4A	10S	43	23				MIO B OUT/1 CHANNEL 25-37	BACKP.AS2	
			5B	2	2	24				DIG. AUDIO OUT 50POL/F CH 25-48	DICONC 2	
			5B	2	22	23				MIO B OUT/1 CHANNEL 25-37	DICONC 2	
MI-D13A			4A	2S	32B	18B				P02 MASTER I/O A (CH 01-24)	BACKP.AS2	1.862.663.00
			4A	10S	33	25				MIO A OUT/1 CHANNEL 1-13	BACKP.AS2	
			5B	1	2	26				DIG. AUDIO OUT 50POL/F CH 1-24	DICONC 1	
			5B	1	22	25				MIO A OUT/1 CHANNEL 1-13	DICONC 1	
MI-D13B			4A	2S	42B	18B				P02 MASTER I/O B (CH 25-48)	BACKP.AS2	1.862.663.00
			4A	10S	43	25				MIO B OUT/1 CHANNEL 25-37	BACKP.AS2	
			5B	2	2	26				DIG. AUDIO OUT 50POL/F CH 25-48	DICONC 2	
			5B	2	22	25				MIO B OUT/1 CHANNEL 25-37	DICONC 2	
MI-D14A			4A	2S	32B	21B				P02 MASTER I/O A (CH 01-24)	BACKP.AS2	1.862.663.00
			4A	10S	34	15				MIO A OUT/2 CHANNEL 14-24	BACKP.AS2	
			5B	1	2	28				DIG. AUDIO OUT 50POL/F CH 1-24	DICONC 1	
			5B	1	21	15				MIO A OUT/2 CHANNEL 14-24	DICONC 1	
MI-D14B			4A	2S	42B	21B				P02 MASTER I/O B (CH 25-48)	BACKP.AS2	1.862.663.00
			4A	10S	44	15				MIO B OUT/2 CHANNEL 38-48	BACKP.AS2	
			5B	2	2	28				DIG. AUDIO OUT 50POL/F CH 25-48	DICONC 2	
			5B	2	21	15				MIO B OUT/2 CHANNEL 38-48	DICONC 2	

```

*****
* STUDER REVOX AG * S I G N A L W I R E L I S T * 91/02/19 * 11:24 * PAGE 457 *
*****
* 1.862.010.00 D820-48 PCM TAPE - RECORDER * 90/03/21 - 00 *****
*****
  
```

SIGNAL NAME	COLOR	MI	ASY	GRP	ELM	PNT	S	LV	TYPE	DESCRIPTION OF ELEMENT	REMARK	ELEMENT NR.
MI-D15A			4A	2S	32B	23B				P02 MASTER I/O A (CH 01-24)	BACKP.AS2	1.862.663.00
			4A	10S	34	17				MIO A OUT/2 CHANNEL 14-24	BACKP.AS2	
			5B	1	2	30				DIG. AUDIO OUT 50POL/F CH 1-24	DICONC 1	
			5B	1	21	17				MIO A OUT/2 CHANNEL 14-24	DICONC 1	
MI-D15B			4A	2S	42B	23B				P02 MASTER I/O B (CH 25-48)	BACKP.AS2	1.862.663.00
			4A	10S	44	17				MIO B OUT/2 CHANNEL 38-48	BACKP.AS2	
			5B	2	2	30				DIG. AUDIO OUT 50POL/F CH 25-48	DICONC 2	
			5B	2	21	17				MIO B OUT/2 CHANNEL 38-48	DICONC 2	
MI-D16A			4A	2S	32B	25B				P02 MASTER I/O A (CH 01-24)	BACKP.AS2	1.862.663.00
			4A	10S	34	19				MIO A OUT/2 CHANNEL 14-24	BACKP.AS2	
			5B	1	2	32				DIG. AUDIO OUT 50POL/F CH 1-24	DICONC 1	
			5B	1	21	19				MIO A OUT/2 CHANNEL 14-24	DICONC 1	
MI-D16B			4A	2S	42B	25B				P02 MASTER I/O B (CH 25-48)	BACKP.AS2	1.862.663.00
			4A	10S	44	19				MIO B OUT/2 CHANNEL 38-48	BACKP.AS2	
			5B	2	2	32				DIG. AUDIO OUT 50POL/F CH 25-48	DICONC 2	
			5B	2	21	19				MIO B OUT/2 CHANNEL 38-48	DICONC 2	
MI-D17A			4A	2S	32B	27B				P02 MASTER I/O A (CH 01-24)	BACKP.AS2	1.862.663.00
			4A	10S	34	21				MIO A OUT/2 CHANNEL 14-24	BACKP.AS2	
			5B	1	2	34				DIG. AUDIO OUT 50POL/F CH 1-24	DICONC 1	
			5B	1	21	21				MIO A OUT/2 CHANNEL 14-24	DICONC 1	
MI-D17B			4A	2S	42B	27B				P02 MASTER I/O B (CH 25-48)	BACKP.AS2	1.862.663.00
			4A	10S	44	21				MIO B OUT/2 CHANNEL 38-48	BACKP.AS2	
			5B	2	2	34				DIG. AUDIO OUT 50POL/F CH 25-48	DICONC 2	
			5B	2	21	21				MIO B OUT/2 CHANNEL 38-48	DICONC 2	
MI-D18A			4A	2S	32C	3C				P02 MASTER I/O A (CH 01-24)	BACKP.AS2	1.862.663.00
			4A	10S	34	5				MIO A OUT/2 CHANNEL 14-24	BACKP.AS2	
			5B	1	2	36				DIG. AUDIO OUT 50POL/F CH 1-24	DICONC 1	
			5B	1	21	5				MIO A OUT/2 CHANNEL 14-24	DICONC 1	
MI-D18B			4A	2S	42C	3C				P02 MASTER I/O B (CH 25-48)	BACKP.AS2	1.862.663.00
			4A	10S	44	5				MIO B OUT/2 CHANNEL 38-48	BACKP.AS2	
			5B	2	2	36				DIG. AUDIO OUT 50POL/F CH 25-48	DICONC 2	
			5B	2	21	5				MIO B OUT/2 CHANNEL 38-48	DICONC 2	
MI-D19A			4A	2S	32C	5C				P02 MASTER I/O A (CH 01-24)	BACKP.AS2	1.862.663.00
			4A	10S	34	7				MIO A OUT/2 CHANNEL 14-24	BACKP.AS2	
			5B	1	2	38				DIG. AUDIO OUT 50POL/F CH 1-24	DICONC 1	
			5B	1	21	7				MIO A OUT/2 CHANNEL 14-24	DICONC 1	
MI-D19B			4A	2S	42C	5C				P02 MASTER I/O B (CH 25-48)	BACKP.AS2	1.862.663.00
			4A	10S	44	7				MIO B OUT/2 CHANNEL 38-48	BACKP.AS2	
			5B	2	2	38				DIG. AUDIO OUT 50POL/F CH 25-48	DICONC 2	
			5B	2	21	7				MIO B OUT/2 CHANNEL 38-48	DICONC 2	
MI-D20A			4A	2S	32C	7C				P02 MASTER I/O A (CH 01-24)	BACKP.AS2	1.862.663.00
			4A	10S	34	9				MIO A OUT/2 CHANNEL 14-24	BACKP.AS2	
			5B	1	2	40				DIG. AUDIO OUT 50POL/F CH 1-24	DICONC 1	
			5B	1	21	9				MIO A OUT/2 CHANNEL 14-24	DICONC 1	

STUDER D820 MCH

* STUDER REVOX AG * S I G N A L W I R E L I S T * 91/02/19 * 11:24 * P A G E 458 *
 * 1.862.010.00 D820-48 PCM TAPE - RECORDER * 90/03/21 00 *

SIGNAL NAME	COLOR	MI	ASY GRP	ELM PNT	S LV	TYPE	DESCRIPTION OF ELEMENT	REMARK	ELEMENT NR.
MI-D20B			4A 2S 42C	7C 9			P02 MASTER I/O B (CH 25-48) MIO B OUT/2 CHANNEL 38-48 DIG. AUDIO OUT 50POL/F CH 25-48 MIO B OUT/2 CHANNEL 38-48	BACKP.AS2 BACKP.AS2 DICONC 2 DICONC 2	1.862.663.00
MI-D21A			4A 2S 32C	9C 11 2 42			P02 MASTER I/O A (CH 01-24) MIO A OUT/2 CHANNEL 14-24 DIG. AUDIO OUT 50POL/F CH 1-24 MIO A OUT/2 CHANNEL 14-24	BACKP.AS2 BACKP.AS2 DICONC 1 DICONC 1	1.862.663.00
MI-D21B			4A 2S 42C	9C 11 2 42			P02 MASTER I/O B (CH 25-48) MIO B OUT/2 CHANNEL 38-48 DIG. AUDIO OUT 50POL/F CH 25-48 MIO B OUT/2 CHANNEL 38-48	BACKP.AS2 BACKP.AS2 DICONC 2 DICONC 2	1.862.663.00
MI-D22A			4A 2S 32C	12C 13 2 44			P02 MASTER I/O A (CH 01-24) MIO A OUT/2 CHANNEL 14-24 DIG. AUDIO OUT 50POL/F CH 1-24 MIO A OUT/2 CHANNEL 14-24	BACKP.AS2 BACKP.AS2 DICONC 1 DICONC 1	1.862.663.00
MI-D22B			4A 2S 42C	12C 13 2 44			P02 MASTER I/O B (CH 25-48) MIO B OUT/2 CHANNEL 38-48 DIG. AUDIO OUT 50POL/F CH 25-48 MIO B OUT/2 CHANNEL 38-48	BACKP.AS2 BACKP.AS2 DICONC 2 DICONC 2	1.862.663.00
MI-D23A			4A 2S 31C	21C 3 2 46			P01 MASTER I/O A (CH 01-24) MIO A OUT/2 CHANNEL 14-24 DIG. AUDIO OUT 50POL/F CH 1-24 MIO A OUT/2 CHANNEL 14-24	BACKP.AS2 BACKP.AS2 DICONC 1 DICONC 1	1.862.663.00
MI-D23B			4A 2S 41C	21C 3 2 46			P01 MASTER I/O B (CH 25-48) MIO B OUT/2 CHANNEL 38-48 DIG. AUDIO OUT 50POL/F CH 25-48 MIO B OUT/2 CHANNEL 38-48	BACKP.AS2 BACKP.AS2 DICONC 2 DICONC 2	1.862.663.00
MI-D24A			4A 2S 31C	23C 1 2 48			P01 MASTER I/O A (CH 01-24) MIO A OUT/2 CHANNEL 14-24 DIG. AUDIO OUT 50POL/F CH 1-24 MIO A OUT/2 CHANNEL 14-24	BACKP.AS2 BACKP.AS2 DICONC 1 DICONC 1	1.862.663.00
MI-D24B			4A 2S 41C	23C 1 2 48			P01 MASTER I/O B (CH 25-48) MIO B OUT/2 CHANNEL 38-48 DIG. AUDIO OUT 50POL/F CH 25-48 MIO B OUT/2 CHANNEL 38-48	BACKP.AS2 BACKP.AS2 DICONC 2 DICONC 2	1.862.663.00
MI-ID01A			4A 2S 32A	4A 1 2 1			P02 MASTER I/O A (CH 01-24) MIO A OUT/1 CHANNEL 1-13 DIG. AUDIO OUT 50POL/F CH 1-24 MIO A OUT/1 CHANNEL 1-13	BACKP.AS2 BACKP.AS2 DICONC 1 DICONC 1	1.862.663.00
MI-ID01B			4A 2S 42A	4A 1 2 1			P02 MASTER I/O B (CH 25-48) MIO B OUT/1 CHANNEL 25-37 DIG. AUDIO OUT 50POL/F CH 25-48 MIO B OUT/1 CHANNEL 25-37	BACKP.AS2 BACKP.AS2 DICONC 2 DICONC 2	1.862.663.00

 * STUDER REVOX AG * S I G N A L W I R E L I S T * 91/02/19 * 11:24 * P A G E 459 *
 * 1.862.010.00 D820-48 PCM TAPE - RECORDER * 90/03/21 - 00 *

SIGNAL NAME	COLOR	MI	ASY GRP	ELM PNT	S LV	TYPE	DESCRIPTION OF ELEMENT	REMARK	ELEMENT NR.
MI-ID02A			4A 2S 32A	6A 5 3 5			P02 MASTER I/O A (CH 01-24) MIO A OUT/1 CHANNEL 1-13 DIG. AUDIO OUT 50POL/F CH 1-24 MIO A OUT/1 CHANNEL 1-13	BACKP.AS2 BACKP.AS2 DICONC 1 DICONC 1	1.862.663.00
MI-ID02B			4A 2S 42A	6A 5 3 5			P02 MASTER I/O B (CH 25-48) MIO B OUT/1 CHANNEL 25-37 DIG. AUDIO OUT 50POL/F CH 25-48 MIO B OUT/1 CHANNEL 25-37	BACKP.AS2 BACKP.AS2 DICONC 2 DICONC 2	1.862.663.00
MI-ID03A			4A 2S 32A	8A 9 5 9			P02 MASTER I/O A (CH 01-24) MIO A OUT/1 CHANNEL 1-13 DIG. AUDIO OUT 50POL/F CH 1-24 MIO A OUT/1 CHANNEL 1-13	BACKP.AS2 BACKP.AS2 DICONC 1 DICONC 1	1.862.663.00
MI-ID03B			4A 2S 42A	8A 9 5 9			P02 MASTER I/O B (CH 25-48) MIO B OUT/1 CHANNEL 25-37 DIG. AUDIO OUT 50POL/F CH 25-48 MIO B OUT/1 CHANNEL 25-37	BACKP.AS2 BACKP.AS2 DICONC 2 DICONC 2	1.862.663.00
MI-ID04A			4A 2S 32A	10A 13 7 13			P02 MASTER I/O A (CH 01-24) MIO A OUT/1 CHANNEL 1-13 DIG. AUDIO OUT 50POL/F CH 1-24 MIO A OUT/1 CHANNEL 1-13	BACKP.AS2 BACKP.AS2 DICONC 1 DICONC 1	1.862.663.00
MI-ID04B			4A 2S 42A	10A 13 7 13			P02 MASTER I/O B (CH 25-48) MIO B OUT/1 CHANNEL 25-37 DIG. AUDIO OUT 50POL/F CH 25-48 MIO B OUT/1 CHANNEL 25-37	BACKP.AS2 BACKP.AS2 DICONC 2 DICONC 2	1.862.663.00
MI-ID05A			4A 2S 32A	13A 17 9 17			P02 MASTER I/O A (CH 01-24) MIO A OUT/1 CHANNEL 1-13 DIG. AUDIO OUT 50POL/F CH 1-24 MIO A OUT/1 CHANNEL 1-13	BACKP.AS2 BACKP.AS2 DICONC 1 DICONC 1	1.862.663.00
MI-ID05B			4A 2S 42A	13A 17 9 17			P02 MASTER I/O B (CH 25-48) MIO B OUT/1 CHANNEL 25-37 DIG. AUDIO OUT 50POL/F CH 25-48 MIO B OUT/1 CHANNEL 25-37	BACKP.AS2 BACKP.AS2 DICONC 2 DICONC 2	1.862.663.00
MI-ID06A			4A 2S 32B	4B 4 11 4			P02 MASTER I/O A (CH 01-24) MIO A OUT/1 CHANNEL 1-13 DIG. AUDIO OUT 50POL/F CH 1-24 MIO A OUT/1 CHANNEL 1-13	BACKP.AS2 BACKP.AS2 DICONC 1 DICONC 1	1.862.663.00
MI-ID06B			4A 2S 42B	4B 4 11 4			P02 MASTER I/O B (CH 25-48) MIO B OUT/1 CHANNEL 25-37 DIG. AUDIO OUT 50POL/F CH 25-48 MIO B OUT/1 CHANNEL 25-37	BACKP.AS2 BACKP.AS2 DICONC 2 DICONC 2	1.862.663.00
MI-ID07A			4A 2S 32B	6B 8 13 8			P02 MASTER I/O A (CH 01-24) MIO A OUT/1 CHANNEL 1-13 DIG. AUDIO OUT 50POL/F CH 1-24 MIO A OUT/1 CHANNEL 1-13	BACKP.AS2 BACKP.AS2 DICONC 1 DICONC 1	1.862.663.00

* STUDER REVOX AG * S I G N A L W I R E L I S T * 91/02/19 * 11:24 * P A G E 460 *

 * 1.862.010.00 D820-48 PCM TAPE - RECORDER * 90/03/21 - 00 *

SIGNAL NAME	COLOR	MI	ASY	GRP	ELM	PNT	S	LV	TYPE	DESCRIPTION OF ELEMENT	REMARK	ELEMENT NR.
MI-ID07B			4A	2S	42B	6B				P02 MASTER I/O B (CH 25-48)	BACKP.AS2	1.862.663.00
			4A	10S	43	8				MIO B OUT/1 CHANNEL 25-37	BACKP.AS2	
			5B	2	2	13				DIG. AUDIO OUT 50POL/F CH 25-48	DICONC 2	
			5B	2	22	8				MIO B OUT/1 CHANNEL 25-37	DICONC 2	
MI-ID08A			4A	2S	32B	8B				P02 MASTER I/O A (CH 01-24)	BACKP.AS2	1.862.663.00
			4A	10S	33	12				MIO A OUT/1 CHANNEL 1-13	BACKP.AS2	
			5B	1	2	15				DIG. AUDIO OUT 50POL/F CH 1-24	DICONC 1	
			5B	1	22	12				MIO A OUT/1 CHANNEL 1-13	DICONC 1	
MI-ID08B			4A	2S	42B	8B				P02 MASTER I/O B (CH 25-48)	BACKP.AS2	1.862.663.00
			4A	10S	43	12				MIO B OUT/1 CHANNEL 25-37	BACKP.AS2	
			5B	2	2	15				DIG. AUDIO OUT 50POL/F CH 25-48	DICONC 2	
			5B	2	22	12				MIO B OUT/1 CHANNEL 25-37	DICONC 2	
MI-ID09A			4A	2S	32B	10B				P02 MASTER I/O A (CH 01-24)	BACKP.AS2	1.862.663.00
			4A	10S	33	16				MIO A OUT/1 CHANNEL 1-13	BACKP.AS2	
			5B	1	2	17				DIG. AUDIO OUT 50POL/F CH 1-24	DICONC 1	
			5B	1	22	16				MIO A OUT/1 CHANNEL 1-13	DICONC 1	
MI-ID09B			4A	2S	42B	10B				P02 MASTER I/O B (CH 25-48)	BACKP.AS2	1.862.663.00
			4A	10S	43	16				MIO B OUT/1 CHANNEL 25-37	BACKP.AS2	
			5B	2	2	17				DIG. AUDIO OUT 50POL/F CH 25-48	DICONC 2	
			5B	2	22	16				MIO B OUT/1 CHANNEL 25-37	DICONC 2	
MI-ID10A			4A	2S	32B	13B				P02 MASTER I/O A (CH 01-24)	BACKP.AS2	1.862.663.00
			4A	10S	33	20				MIO A OUT/1 CHANNEL 1-13	BACKP.AS2	
			5B	1	2	19				DIG. AUDIO OUT 50POL/F CH 1-24	DICONC 1	
			5B	1	22	20				MIO A OUT/1 CHANNEL 1-13	DICONC 1	
MI-ID10B			4A	2S	42B	13B				P02 MASTER I/O B (CH 25-48)	BACKP.AS2	1.862.663.00
			4A	10S	43	20				MIO B OUT/1 CHANNEL 25-37	BACKP.AS2	
			5B	2	2	19				DIG. AUDIO OUT 50POL/F CH 25-48	DICONC 2	
			5B	2	22	20				MIO B OUT/1 CHANNEL 25-37	DICONC 2	
MI-ID11A			4A	2S	32B	15B				P02 MASTER I/O A (CH 01-24)	BACKP.AS2	1.862.663.00
			4A	10S	33	22				MIO A OUT/1 CHANNEL 1-13	BACKP.AS2	
			5B	1	2	21				DIG. AUDIO OUT 50POL/F CH 1-24	DICONC 1	
			5B	1	22	22				MIO A OUT/1 CHANNEL 1-13	DICONC 1	
MI-ID11B			4A	2S	42B	15B				P02 MASTER I/O B (CH 25-48)	BACKP.AS2	1.862.663.00
			4A	10S	43	22				MIO B OUT/1 CHANNEL 25-37	BACKP.AS2	
			5B	2	2	21				DIG. AUDIO OUT 50POL/F CH 25-48	DICONC 2	
			5B	2	22	22				MIO B OUT/1 CHANNEL 25-37	DICONC 2	
MI-ID12A			4A	2S	32B	17B				P02 MASTER I/O A (CH 01-24)	BACKP.AS2	1.862.663.00
			4A	10S	33	24				MIO A OUT/1 CHANNEL 1-13	BACKP.AS2	
			5B	1	2	23				DIG. AUDIO OUT 50POL/F CH 1-24	DICONC 1	
			5B	1	22	24				MIO A OUT/1 CHANNEL 1-13	DICONC 1	
MI-ID12B			4A	2S	42B	17B				P02 MASTER I/O B (CH 25-48)	BACKP.AS2	1.862.663.00
			4A	10S	43	24				MIO B OUT/1 CHANNEL 25-37	BACKP.AS2	
			5B	2	2	23				DIG. AUDIO OUT 50POL/F CH 25-48	DICONC 2	
			5B	2	22	24				MIO B OUT/1 CHANNEL 25-37	DICONC 2	

 * STUDER REVOX AG * S I G N A L W I R E L I S T * 91/02/19 * 11:24 * P A G E 461 *

 * 1.862.010.00 D820-48 PCM TAPE - RECORDER * 90/03/21 - 00 *

SIGNAL NAME	COLOR	MI	ASY	GRP	ELM	PNT	S	LV	TYPE	DESCRIPTION OF ELEMENT	REMARK	ELEMENT NR.
MI-ID13A			4A	2S	32B	19B				P02 MASTER I/O A (CH 01-24)	BACKP.AS2	1.862.663.00
			4A	10S	33	26				MIO A OUT/1 CHANNEL 1-13	BACKP.AS2	
			5B	1	2	25				DIG. AUDIO OUT 50POL/F CH 1-24	DICONC 1	
			5B	1	22	26				MIO A OUT/1 CHANNEL 1-13	DICONC 1	
MI-ID13B			4A	2S	42B	19B				P02 MASTER I/O B (CH 25-48)	BACKP.AS2	1.862.663.00
			4A	10S	43	26				MIO B OUT/1 CHANNEL 25-37	BACKP.AS2	
			5B	2	2	25				DIG. AUDIO OUT 50POL/F CH 25-48	DICONC 2	
			5B	2	22	26				MIO B OUT/1 CHANNEL 25-37	DICONC 2	
MI-ID14A			4A	2S	32B	22B				P02 MASTER I/O A (CH 01-24)	BACKP.AS2	1.862.663.00
			4A	10S	34	16				MIO A OUT/2 CHANNEL 14-24	BACKP.AS2	
			5B	1	2	27				DIG. AUDIO OUT 50POL/F CH 1-24	DICONC 1	
			5B	1	21	16				MIO A OUT/2 CHANNEL 14-24	DICONC 1	
MI-ID14B			4A	2S	42B	22B				P02 MASTER I/O B (CH 25-48)	BACKP.AS2	1.862.663.00
			4A	10S	44	16				MIO B OUT/2 CHANNEL 38-48	BACKP.AS2	
			5B	2	2	27				DIG. AUDIO OUT 50POL/F CH 25-48	DICONC 2	
			5B	2	21	16				MIO B OUT/2 CHANNEL 38-48	DICONC 2	
MI-ID15A			4A	2S	32B	24B				P02 MASTER I/O A (CH 01-24)	BACKP.AS2	1.862.663.00
			4A	10S	34	18				MIO A OUT/2 CHANNEL 14-24	BACKP.AS2	
			5B	1	2	29				DIG. AUDIO OUT 50POL/F CH 1-24	DICONC 1	
			5B	1	21	18				MIO A OUT/2 CHANNEL 14-24	DICONC 1	
MI-ID15B			4A	2S	42B	24B				P02 MASTER I/O B (CH 25-48)	BACKP.AS2	1.862.663.00
			4A	10S	44	18				MIO B OUT/2 CHANNEL 38-48	BACKP.AS2	
			5B	2	2	29				DIG. AUDIO OUT 50POL/F CH 25-48	DICONC 2	
			5B	2	21	18				MIO B OUT/2 CHANNEL 38-48	DICONC 2	
MI-ID16A			4A	2S	32B	26B				P02 MASTER I/O A (CH 01-24)	BACKP.AS2	1.862.663.00
			4A	10S	34	20				MIO A OUT/2 CHANNEL 14-24	BACKP.AS2	
			5B	1	2	31				DIG. AUDIO OUT 50POL/F CH 1-24	DICONC 1	
			5B	1	21	20				MIO A OUT/2 CHANNEL 14-24	DICONC 1	
MI-ID16B			4A	2S	42B	26B				P02 MASTER I/O B (CH 25-48)	BACKP.AS2	1.862.663.00
			4A	10S	44	20				MIO B OUT/2 CHANNEL 38-48	BACKP.AS2	
			5B	2	2	31				DIG. AUDIO OUT 50POL/F CH 25-48	DICONC 2	
			5B	2	21	20				MIO B OUT/2 CHANNEL 38-48	DICONC 2	
MI-ID17A			4A	2S	32B	28B				P02 MASTER I/O A (CH 01-24)	BACKP.AS2	1.862.663.00
			4A	10S	34	22				MIO A OUT/2 CHANNEL 14-24	BACKP.AS2	
			5B	1	2	33				DIG. AUDIO OUT 50POL/F CH 1-24	DICONC 1	
			5B	1	21	22				MIO A OUT/2 CHANNEL 14-24	DICONC 1	
MI-ID17B			4A	2S	42B	28B				P02 MASTER I/O B (CH 25-48)	BACKP.AS2	1.862.663.00
			4A	10S	44	22				MIO B OUT/2 CHANNEL 38-48	BACKP.AS2	
			5B	2	2	33				DIG. AUDIO OUT 50POL/F CH 25-48	DICONC 2	
			5B	2	21	22				MIO B OUT/2 CHANNEL 38-48	DICONC 2	
MI-ID18A			4A	2S	32C	4C				P02 MASTER I/O A (CH 01-24)	BACKP.AS2	1.862.663.00
			4A	10S	34	6				MIO A OUT/2 CHANNEL 14-24	BACKP.AS2	
			5B	1	2	35				DIG. AUDIO OUT 50POL/F CH 1-24	DICONC 1	
			5B	1	21	6				MIO A OUT/2 CHANNEL 14-24	DICONC 1	

STUDER D820 MCH

* STUDER REVOX AG * S I G N A L W I R E L I S T * 91/02/19 * 11:24 * P A G E 462 *

* 1.862.010.00 D820-48 PCM TAPE - RECORDER * 90/03/21 - 00 *

Table with columns: SIGNAL NAME, COLOR, MI, ASY GRP, ELM PNT, S LV, TYPE, DESCRIPTION OF ELEMENT, REMARK, ELEMENT NR. Rows include MI-ID18B, MI-ID19A, MI-ID19B, MI-ID20A, MI-ID20B, MI-ID21A, MI-ID21B, MI-ID22A, MI-ID22B, MI-ID23A, MI-ID23B.

* STUDER REVOX AG * S I G N A L W I R E L I S T * 91/02/19 * 11:24 * P A G E 463 *

* 1.862.010.00 D820-48 PCM TAPE - RECORDER * 90/03/21 - 00 *

Table with columns: SIGNAL NAME, COLOR, MI, ASY GRP, ELM PNT, S LV, TYPE, DESCRIPTION OF ELEMENT, REMARK, ELEMENT NR. Rows include MI-ID24A, MI-ID24B, OC-RES1, OC-RES2, OC-RES3, OC-RES4, OR-CMCLK, OR-MVCLK, OR-MYDIR, OR-SYENB, PI-ADRO, PI-ADR1, PI-ADR2, PI-DADRO, PI-DADR1.

* STUDER REVOK AG * S I G N A L W I R E L I S T * 91/02/19 * 11:24 * PAGE 464 *

 * 1.862.010.00 D820-48 PCM TAPE - RECORDER * 90/03/21 - 00 *

SIGNAL NAME	COLOR	MI	ASY	GRP	ELM	PNT	S	LV	TYPE	DESCRIPTION OF ELEMENT	REMARK	ELEMENT NR.
PI-DADR2			1	20	51	15				TO DISPLAY DRIVER	P51	54.14.2004
			1	20	52	13				MASTER PARALLEL IF	P52	54.14.2004
			1	50	1	15				DISPLAY DRIVER	P01	1.820.768.00
PI-DATA0			1	1	11	39				TDC BUS CONNECTOR	J11	
			1	20	51	39				TO DISPLAY DRIVER	P51	54.14.2004
			1	20	52	39				MASTER PARALLEL IF	P52	54.14.2004
			1	20	53	39				CONNECTOR REMOTE CTR IF	P53	54.14.2004
			1	27	2	39				CONNECTOR REMOTE CTR IF	P27	54.14.2004
			1	50	1	39				DISPLAY DRIVER	P01	1.820.768.00
			3A	1S	31A	21A				P01 PERIPHERAL INTERFACE	BACKP.AS1	1.862.656.00
PI-DATA1			1	1	11	37				TDC BUS CONNECTOR	J11	
			1	20	51	37				TO DISPLAY DRIVER	P51	54.14.2004
			1	20	52	37				MASTER PARALLEL IF	P52	54.14.2004
			1	20	53	37				CONNECTOR REMOTE CTR IF	P53	54.14.2004
			1	27	2	37				CONNECTOR REMOTE CTR IF	P27	54.14.2004
			1	50	1	37				DISPLAY DRIVER	P01	1.820.768.00
			3A	1S	31A	20A				P01 PERIPHERAL INTERFACE	BACKP.AS1	1.862.656.00
PI-DATA2			1	1	11	35				TDC BUS CONNECTOR	J11	
			1	20	51	35				TO DISPLAY DRIVER	P51	54.14.2004
			1	20	52	35				MASTER PARALLEL IF	P52	54.14.2004
			1	20	53	35				CONNECTOR REMOTE CTR IF	P53	54.14.2004
			1	27	2	35				CONNECTOR REMOTE CTR IF	P27	54.14.2004
			1	50	1	35				DISPLAY DRIVER	P01	1.820.768.00
			3A	1S	31A	19A				P01 PERIPHERAL INTERFACE	BACKP.AS1	1.862.656.00
PI-DATA3			1	1	11	33				TDC BUS CONNECTOR	J11	
			1	20	51	33				TO DISPLAY DRIVER	P51	54.14.2004
			1	20	52	33				MASTER PARALLEL IF	P52	54.14.2004
			1	20	53	33				CONNECTOR REMOTE CTR IF	P53	54.14.2004
			1	27	2	33				CONNECTOR REMOTE CTR IF	P27	54.14.2004
			1	50	1	33				DISPLAY DRIVER	P01	1.820.768.00
			3A	1S	31A	18A				P01 PERIPHERAL INTERFACE	BACKP.AS1	1.862.656.00
PI-DATA4			1	1	11	31				TDC BUS CONNECTOR	J11	
			1	20	51	31				TO DISPLAY DRIVER	P51	54.14.2004
			1	20	52	31				MASTER PARALLEL IF	P52	54.14.2004
			1	20	53	31				CONNECTOR REMOTE CTR IF	P53	54.14.2004
			1	27	2	31				CONNECTOR REMOTE CTR IF	P27	54.14.2004
			1	50	1	31				DISPLAY DRIVER	P01	1.820.768.00
			3A	1S	31A	17A				P01 PERIPHERAL INTERFACE	BACKP.AS1	1.862.656.00

 * STUDER REVOK AG * S I G N A L W I R E L I S T * 91/02/19 * 11:24 * PAGE 465 *

 * 1.862.010.00 D820-48 PCM TAPE - RECORDER * 90/03/21 - 00 *

SIGNAL NAME	COLOR	MI	ASY	GRP	ELM	PNT	S	LV	TYPE	DESCRIPTION OF ELEMENT	REMARK	ELEMENT NR.	
PI-DATA5			1	1	11	29				TDC BUS CONNECTOR	J11		
			1	20	51	29				TO DISPLAY DRIVER	P51	54.14.2004	
			1	20	52	29				MASTER PARALLEL IF	P52	54.14.2004	
			1	20	53	29				CONNECTOR REMOTE CTR IF	P53	54.14.2004	
			1	27	2	29				CONNECTOR REMOTE CTR IF	P27	54.14.2004	
			1	50	1	29				DISPLAY DRIVER	P01	1.820.768.00	
			3A	1S	31A	16A				P01 PERIPHERAL INTERFACE	BACKP.AS1	1.862.656.00	
PI-DATA6			1	1	11	27				TDC BUS CONNECTOR	J11		
			1	20	51	27				TO DISPLAY DRIVER	P51	54.14.2004	
			1	20	52	27				MASTER PARALLEL IF	P52	54.14.2004	
			1	20	53	27				CONNECTOR REMOTE CTR IF	P53	54.14.2004	
			1	27	2	27				CONNECTOR REMOTE CTR IF	P27	54.14.2004	
			1	50	1	27				DISPLAY DRIVER	P01	1.820.768.00	
			3A	1S	31A	15A				P01 PERIPHERAL INTERFACE	BACKP.AS1	1.862.656.00	
PI-DATA7			1	1	11	25				TDC BUS CONNECTOR	J11		
			1	20	51	25				TO DISPLAY DRIVER	P51	54.14.2004	
			1	20	52	25				MASTER PARALLEL IF	P52	54.14.2004	
			1	20	53	25				CONNECTOR REMOTE CTR IF	P53	54.14.2004	
			1	27	2	25				CONNECTOR REMOTE CTR IF	P27	54.14.2004	
			1	50	1	25				DISPLAY DRIVER	P01	1.820.768.00	
			3A	1S	31A	14A				P01 PERIPHERAL INTERFACE	BACKP.AS1	1.862.656.00	
PI-DENB			1	20	51	13				TO DISPLAY DRIVER	P51	54.14.2004	
			1	20	52	13				MASTER PARALLEL IF	P52	54.14.2004	
			1	20	53	13				CONNECTOR REMOTE CTR IF	P53	54.14.2004	
			1	27	2	13				CONNECTOR REMOTE CTR IF	P27	54.14.2004	
			1	50	1	13				DISPLAY DRIVER	P01	1.820.768.00	
	PI-DRES			1	20	51	9				TO DISPLAY DRIVER	P51	54.14.2004
				1	20	52	7				MASTER PARALLEL IF	P52	54.14.2004
			1	20	53	9				CONNECTOR REMOTE CTR IF	P53	54.14.2004	
			1	27	2	9				CONNECTOR REMOTE CTR IF	P27	54.14.2004	
			1	50	1	9				DISPLAY DRIVER	P01	1.820.768.00	
PI-DRW			1	20	51	11				TO DISPLAY DRIVER	P51	54.14.2004	
			1	20	52	9				MASTER PARALLEL IF	P52	54.14.2004	
			1	20	53	11				CONNECTOR REMOTE CTR IF	P53	54.14.2004	
			1	27	2	11				CONNECTOR REMOTE CTR IF	P27	54.14.2004	
			1	50	1	11				DISPLAY DRIVER	P01	1.820.768.00	
PI-DSL4			1	20	51	7				TO DISPLAY DRIVER	P51	54.14.2004	
			1	20	52	5				MASTER PARALLEL IF	P52	54.14.2004	
			1	50	1	7				DISPLAY DRIVER	P01	1.820.768.00	
PI-DSL5			1	20	52	3				MASTER PARALLEL IF	P52	54.14.2004	
			1	20	53	7				CONNECTOR REMOTE CTR IF	P53	54.14.2004	
			1	27	2	7				CONNECTOR REMOTE CTR IF	P27	54.14.2004	

STUDER D820 MCH

 * STUDER REVOX AG * S I G N A L H I R E L I S T * 91/02/19 * 11:24 * P A G E 466 *

 * 1.862.010.00 D820-48 PCM TAPE - RECORDER * 90/03/21 - 00 *

SIGNAL NAME	COLOR	MI	ASY	GRP	ELM	PNT	S	LV	TYPE	DESCRIPTION OF ELEMENT	REMARK	ELEMENT NR.
PI-EBUFG			3A	1S	31C	13C				P01 PERIPHERAL INTERFACE	BACKP.AS1	1.862.656.00
			3A	10S	33	1				PIF SMPTE/EBU	BACKP.AS1	
			3A	10S	33	8				PIF SMPTE/EBU	BACKP.AS1	
			5C	9	1	1				ES-BUS ONLY	9POL D-SUB/F	
			5C	9	1	9				ES-BUS ONLY	9POL D-SUB/F	
			5C	9	2	1				ES-BUS/RS 232	9POL D-SUB/F	
			5C	9	2	9				ES-BUS/RS 232	9POL D-SUB/F	
			5C	9	11	1				PIF SMPTE/EBU	MICONC	
		5C	9	11	8				PIF SMPTE/EBU	MICONC		
PI-EBURA			3A	1S	31C	18C				P01 PERIPHERAL INTERFACE	BACKP.AS1	1.862.656.00
			3A	10S	33	6				PIF SMPTE/EBU	BACKP.AS1	
			5C	9	1	8				ES-BUS ONLY	9POL D-SUB/F	
			5C	9	2	8				ES-BUS/RS 232	9POL D-SUB/F	
			5C	9	11	6				PIF SMPTE/EBU	MICONC	
PI-EBURB			3A	1S	31C	17C				P01 PERIPHERAL INTERFACE	BACKP.AS1	1.862.656.00
			3A	10S	33	5				PIF SMPTE/EBU	BACKP.AS1	
			5C	9	1	3				ES-BUS ONLY	9POL D-SUB/F	
			5C	9	2	3				ES-BUS/RS 232	9POL D-SUB/F	
			5C	9	11	5				PIF SMPTE/EBU	MICONC	
PI-EBURC			3A	1S	31C	19C				P01 PERIPHERAL INTERFACE	BACKP.AS1	1.862.656.00
			3A	10S	33	7				PIF SMPTE/EBU	BACKP.AS1	
			5C	9	1	4				ES-BUS ONLY	9POL D-SUB/F	
			5C	9	2	4				ES-BUS/RS 232	9POL D-SUB/F	
			5C	9	11	7				PIF SMPTE/EBU	MICONC	
PI-EBUTA			3A	1S	31C	15C				P01 PERIPHERAL INTERFACE	BACKP.AS1	1.862.656.00
			3A	10S	33	3				PIF SMPTE/EBU	BACKP.AS1	
			5C	9	1	2				ES-BUS ONLY	9POL D-SUB/F	
			5C	9	2	2				ES-BUS/RS 232	9POL D-SUB/F	
			5C	9	11	3				PIF SMPTE/EBU	MICONC	
PI-EBUTB			3A	1S	31C	16C				P01 PERIPHERAL INTERFACE	BACKP.AS1	1.862.656.00
			3A	10S	33	4				PIF SMPTE/EBU	BACKP.AS1	
			5C	9	1	7				ES-BUS ONLY	9POL D-SUB/F	
			5C	9	2	7				ES-BUS/RS 232	9POL D-SUB/F	
			5C	9	11	4				PIF SMPTE/EBU	MICONC	
PI-EBUTC			3A	1S	31C	14C				P01 PERIPHERAL INTERFACE	BACKP.AS1	1.862.656.00
			3A	10S	33	2				PIF SMPTE/EBU	BACKP.AS1	
			5C	9	1	6				ES-BUS ONLY	9POL D-SUB/F	
			5C	9	2	6				ES-BUS/RS 232	9POL D-SUB/F	
			5C	9	11	2				PIF SMPTE/EBU	MICONC	
PI-ECLK			3A	1S	31C	20C				P01 PERIPHERAL INTERFACE	BACKP.AS1	1.862.656.00
			3A	10S	34	3				PIF SERBUS EXTERN	BACKP.AS1	
			5C	7	1	2				LEVEL DISPLAY	9POL D-SUB/F	
			5C	7	11	3				PIF SERBUS EXTERN	MICONC	
			5C	7	11	3				PIF SERBUS EXTERN	MICONC	
PI-EDAT			3A	1S	31C	24C				P01 PERIPHERAL INTERFACE	BACKP.AS1	1.862.656.00
			3A	10S	34	5				PIF SERBUS EXTERN	BACKP.AS1	
			5C	7	1	3				LEVEL DISPLAY	9POL D-SUB/F	
			5C	7	11	5				PIF SERBUS EXTERN	MICONC	
			5C	7	11	5				PIF SERBUS EXTERN	MICONC	

 * STUDER REVOX AG * S I G N A L H I R E L I S T * 91/02/19 * 11:24 * P A G E 467 *

 * 1.862.010.00 D820-48 PCM TAPE - RECORDER * 90/03/21 - 00 *

SIGNAL NAME	COLOR	MI	ASY	GRP	ELM	PNT	S	LV	TYPE	DESCRIPTION OF ELEMENT	REMARK	ELEMENT NR.
PI-ENB			1	1	11	11				TDC BUS CONNECTOR	J11	1.862.656.00
			3A	1S	31A	7A				P01 PERIPHERAL INTERFACE	BACKP.AS1	
			3A	10S	21	11				PIF TDC-BUS	BACKP.AS1	
			5D	1	11	11				PIF TDC-BUS	TD&HD-IF	
			5D	1	11	11				PIF TDC-BUS	TD&HD-IF	
PI-ETPH			3A	1S	31C	22C				P01 PERIPHERAL INTERFACE	BACKP.AS1	1.862.656.00
			3A	10S	34	7				PIF SERBUS EXTERN	BACKP.AS1	
			5C	7	1	4				LEVEL DISPLAY	9POL D-SUB/F	
			5C	7	11	7				PIF SERBUS EXTERN	MICONC	
			5C	7	11	7				PIF SERBUS EXTERN	MICONC	
PI-EVAL			3A	1S	31C	26C				P01 PERIPHERAL INTERFACE	BACKP.AS1	1.862.656.00
			3A	10S	34	8				PIF SERBUS EXTERN	BACKP.AS1	
			5C	7	11	8				PIF SERBUS EXTERN	MICONC	
PI-FIEO			3A	1S	32C	13C				P02 PERIPHERAL INTERFACE	BACKP.AS1	1.862.656.00
			3A	1S	42A	13A				P02 SYNCHRONIZER	BACKP.AS1	
			5C	7	11	8				PIF SERBUS EXTERN	MICONC	
PI-IADRU			1	1	11	18				TDC BUS CONNECTOR	J11	1.820.768.00
			1	20	51	20				TO DISPLAY DRIVER	P51	
			1	20	52	18				MASTER PARALLEL IF	P52	
			1	20	53	20				CONNECTOR REMOTE CTR IF	P53	
			1	27	2	20				CONNECTOR REMOTE CTR IF	P27	
			1	50	1	20				DISPLAY DRIVER	P01	
			3A	1S	31B	10B				P01 PERIPHERAL INTERFACE	BACKP.AS1	
			3A	10S	21	18				PIF TDC-BUS	BACKP.AS1	
			5D	1	11	18				PIF TDC-BUS	TD&HD-IF	
			5D	1	11	18				PIF TDC-BUS	TD&HD-IF	
			5D	1	11	18				PIF TDC-BUS	TD&HD-IF	
			5D	1	11	18				PIF TDC-BUS	TD&HD-IF	
			5D	1	11	18				PIF TDC-BUS	TD&HD-IF	
PI-IADR1			1	1	11	16				TDC BUS CONNECTOR	J11	1.820.768.00
			1	20	51	16				TO DISPLAY DRIVER	P51	
			1	20	52	16				MASTER PARALLEL IF	P52	
			1	50	1	18				DISPLAY DRIVER	P01	
			3A	1S	31B	9B				P01 PERIPHERAL INTERFACE	BACKP.AS1	
			3A	10S	21	16				PIF TDC-BUS	BACKP.AS1	
			5D	1	11	16				PIF TDC-BUS	TD&HD-IF	
			5D	1	11	16				PIF TDC-BUS	TD&HD-IF	
			5D	1	11	16				PIF TDC-BUS	TD&HD-IF	
			5D	1	11	16				PIF TDC-BUS	TD&HD-IF	
			5D	1	11	16				PIF TDC-BUS	TD&HD-IF	
PI-IADR2			1	1	11	14				TDC BUS CONNECTOR	J11	1.820.768.00
			1	20	51	16				TO DISPLAY DRIVER	P51	
			1	20	52	14				MASTER PARALLEL IF	P52	
			1	50	1	16				DISPLAY DRIVER	P01	
			3A	1S	31B	8B				P01 PERIPHERAL INTERFACE	BACKP.AS1	
			3A	10S	21	14				PIF TDC-BUS	BACKP.AS1	
			5D	1	11	14				PIF TDC-BUS	TD&HD-IF	
			5D	1	11	14				PIF TDC-BUS	TD&HD-IF	
			5D	1	11	14				PIF TDC-BUS	TD&HD-IF	
PI-IECLK			3A	1S	31C	21C				P01 PERIPHERAL INTERFACE	BACKP.AS1	1.862.656.00
			3A	10S	34	2				PIF SERBUS EXTERN	BACKP.AS1	
			5C	7	1	6				LEVEL DISPLAY	9POL D-SUB/F	
			5C	7	11	2				PIF SERBUS EXTERN	MICONC	
			5C	7	11	2				PIF SERBUS EXTERN	MICONC	
			5C	7	11	2				PIF SERBUS EXTERN	MICONC	
PI-IEDAT			3A	1S	31C	25C				P01 PERIPHERAL INTERFACE	BACKP.AS1	1.862.656.00
			3A	10S	34	4				PIF SERBUS EXTERN	BACKP.AS1	
			5C	7	1	7				LEVEL DISPLAY	9POL D-SUB/F	
			5C	7	11	4				PIF SERBUS EXTERN	MICONC	
			5C	7	11	4				PIF SERBUS EXTERN	MICONC	

* STUDER REVOX AG * S I G N A L W I R E L I S T * 91/02/19 * 11:24 * P A G E 472 *

 * 1.862.010.00 D820-48 PCM TAPE - RECORDER * 90/03/21 - 00 *

SIGNAL NAME	COLOR	MI	ASY GRP	ELM PNT	S LV	TYPE	DESCRIPTION OF ELEMENT	REMARK	ELEMENT NR.
PI-ISVAL			4A 2S	12C 17C			P02 CLOCK-BOARD	BACKP.AS2	1.862.660.00
			4A 6S	22C 17C			P02 PING-PONG	BACKP.AS2	1.862.662.00
			4A 2S	42C 17C			P02 MASTER I/O A (CH 01-24)	BACKP.AS2	1.862.663.00
			4A 2S	42C 17C			P02 MASTER I/O B (CH 25-48)	BACKP.AS2	1.862.663.00
			4A 2S	52C 17C			P02 AES-INTERFACE	BACKP.AS2	1.862.664.00
			4A 2S	52C 17C			P02 SOUND-MEMORY	BACKP.AS2	1.862.665.00
			4A 4	12C 17C			P02 MAPRO A GR4 (CH 25-32)	BACKP.AS2	1.862.652.00
			4A 4	32C 17C			P02 IO A GR4 (CH 25-32)	BACKP.AS2	1.862.653.00
			4A 10S	91 12			GENERAL BUS ASSY.4	BACKP.AS2	
			4A 11	72 12			GENERAL BUS ASSY.4A	BACKP.AS2	
			4B 5	12C 17C			P02 MAPRO A-GR5 (CH 33-40)	BACKP.AA2	1.862.652.00
			4B 5	32C 17C			P02 IO A-GR5 (CH 33-40)	BACKP.AA2	1.862.653.00
			4B 6	12C 17C			P02 MAPRO A-GR6 (CH 41-48)	BACKP.AA2	1.862.652.00
			4B 6	32C 17C			P02 IO A-GR6 (CH 41-48)	BACKP.AA2	1.862.653.00
			4B 6	52C 17C			P02 BTM	BACKP.AA2	1.862.670.00
			4B 10	72 12			GENERAL BUS ASSY.4B	BACKP.AA2	
			5D 1	9 8			PIF SERBUS INTERN	TD&HD-IF	
			6A 1	2 8			PIF SERBUS INTERN	DISPLAYP.	
			6A 2	13C 11C			DP MICROPROCESSOR	DISPLAYP.	1.862.815.00
			6A 4	5 2			R 5 ** NOT USED **	DISPLAYP.	
PI-RCLK			3A 1S	31A 22A			P01 PERIPHERAL INTERFACE	BACKP.AS1	1.862.656.00
			3A 10S	22 1			PIF REM-BUS	BACKP.AS1	
			5C 6	1 1			REM BUS 9POL D-SUB/F	MICONC	
			5C 6	2 1			REM BUS 9POL D-SUB/F	MICONC	
			5C 6	11 1			PIF REM-BUS	MICONC	
PI-RES			1	1 11 7			TDC BUS CONNECTOR J11		
			3A 1S	31A 5A			P01 PERIPHERAL INTERFACE	BACKP.AS1	1.862.656.00
			3A 10S	21 7			PIF TDC-BUS	BACKP.AS1	
			5D 1	11 7			PIF TDC-BUS	TD&HD-IF	
PI-RES1			3A 1S	31B 24B			P01 PERIPHERAL INTERFACE	BACKP.AS1	1.862.656.00
			3A 10S	22 7			PIF REM-BUS	BACKP.AS1	
			5C 6	1 4		*** KEY ***	REM BUS 9POL D-SUB/F	MICONC	
			5C 6	2 4		*** KEY ***	REM BUS 9POL D-SUB/F	MICONC	
			5C 6	11 7			PIF REM-BUS	MICONC	
PI-RES2			3A 1S	31B 25B			P01 PERIPHERAL INTERFACE	BACKP.AS1	1.862.656.00
			3A 10S	22 8			PIF REM-BUS	BACKP.AS1	
			5C 6	11 8			PIF REM-BUS	MICONC	
PI-RES3			3A 1S	31A 26A			P01 PERIPHERAL INTERFACE	BACKP.AS1	1.862.656.00
			3A 10S	22 9			PIF REM-BUS	BACKP.AS1	
			5C 6	11 9			PIF REM-BUS	MICONC	
PI-RES4			3A 1S	31A 27A			P01 PERIPHERAL INTERFACE	BACKP.AS1	1.862.656.00
			3A 10S	22 10			PIF REM-BUS	BACKP.AS1	
			5C 6	11 10			PIF REM-BUS	MICONC	
PI-RRXD			3A 1S	31B 22B			P01 PERIPHERAL INTERFACE	BACKP.AS1	1.862.656.00
			3A 10S	22 3			PIF REM-BUS	BACKP.AS1	
			5C 6	1 2			REM BUS 9POL D-SUB/F	MICONC	
			5C 6	2 2			REM BUS 9POL D-SUB/F	MICONC	
			5C 6	11 3			PIF REM-BUS	MICONC	

 * STUDER REVOX AG * S I G N A L W I R E L I S T * 91/02/19 * 11:24 * P A G E 473 *

 * 1.862.010.00 D820-48 PCM TAPE - RECORDER * 90/03/21 - 00 *

SIGNAL NAME	COLOR	MI	ASY GRP	ELM PNT	S LV	TYPE	DESCRIPTION OF ELEMENT	REMARK	ELEMENT NR.
PI-RTXD			3A 1S	31A 24A			P01 PERIPHERAL INTERFACE	BACKP.AS1	1.862.656.00
			3A 10S	22 5			PIF REM-BUS	BACKP.AS1	
			5C 6	1 3			REM BUS 9POL D-SUB/F	MICONC	
			5C 6	2 3			REM BUS 9POL D-SUB/F	MICONC	
			5C 6	11 5			PIF REM-BUS	MICONC	
PI-RW			1	1 11 9			TDC BUS CONNECTOR J11		
			3A 1S	31A 6A			P01 PERIPHERAL INTERFACE	BACKP.AS1	1.862.656.00
			3A 10S	21 9			PIF TDC-BUS	BACKP.AS1	
			5D 1	11 9			PIF TDC-BUS	TD&HD-IF	
PI-SCLK			1	1 9 1			SERBUS AUDIO CONTROL CONNECTOR J09		
			1	19 3 4A			REPRODUCE CONTROLLER J03		1.862.720.00
			1	19 4 4A			RECORD CONTROLLER J04		1.862.718.00
			1	19 32 1			SERBUS AUDIO CONTROL CONNECTOR P32		54.14.2001
			1	28 1 1			SERBUS AUDIO CONTROL CONNECTOR ...		
			3A 1	12A 14A			P02 MAPRO A-GR1 (CH 01-08)	BACKP.AS1	1.862.652.00
			3A 1	32A 14A			P02 IO A-GR1 (CH 01-08)	BACKP.AS1	1.862.653.00
			3A 1S	12A 14A			P02 CUE MODEM	BACKP.AS1	1.862.661.00
			3A 1S	22A 14A			P02 CENTRAL PROCESSOR UNIT	BACKP.AS1	1.862.655.00
			3A 1S	32A 14A			P02 PERIPHERAL INTERFACE	BACKP.AS1	1.862.656.00
			3A 1S	42A 14A			P02 SYNCHRONIZER	BACKP.AS1	1.862.659.00
			3A 1S	52A 14A			P02 REFERENCE TRACK	BACKP.AS1	1.862.657.00
			3A 10S	15 1			PIF SERBUS INTERN	BACKP.AS1	
			3A 10S	91 5			GENERAL BUS ASSY.3	BACKP.AS1	
			3A 11	72 5			GENERAL BUS ASSY.3A	BACKP.AS1	
			3B 2	12A 14A			P02 MAPRO A-GR2 (CH 09-16)	BACKP.AA1	1.862.652.00
			3B 2	32A 14A			P02 IO A-GR2 (CH 09-16)	BACKP.AA1	1.862.653.00
			3B 3	12A 14A			P02 MAPRO A-GR3 (CH 17-24)	BACKP.AA1	1.862.652.00
			3B 3	32A 14A			P02 IO A-GR3 (CH 17-24)	BACKP.AA1	1.862.653.00
			3B 3	52A 14A			P02 BTM	BACKP.AA1	1.862.670.00
			3B 10	72 5			GENERAL BUS ASSY.3B	BACKP.AA1	
			4A 2S	12A 14A			P02 CLOCK-BOARD	BACKP.AS2	1.862.660.00
			4A 2S	22A 14A			P02 PING-PONG	BACKP.AS2	1.862.662.00
			4A 2S	32A 14A			P02 MASTER I/O A (CH 01-24)	BACKP.AS2	1.862.663.00
			4A 2S	42A 14A			P02 MASTER I/O B (CH 25-48)	BACKP.AS2	1.862.663.00
			4A 2S	52A 14A			P02 AES-INTERFACE	BACKP.AS2	1.862.664.00
			4A 2S	62A 14A			P02 SOUND-MEMORY	BACKP.AS2	1.862.665.00
			4A 4	12A 14A			P02 MAPRO A GR4 (CH 25-32)	BACKP.AS2	1.862.652.00
			4A 4	32A 14A			P02 IO A GR4 (CH 25-32)	BACKP.AS2	1.862.653.00
			4A 10S	91 5			GENERAL BUS ASSY.4	BACKP.AS2	
			4A 11	72 5			GENERAL BUS ASSY.4A	BACKP.AS2	
			4B 5	12A 14A			P02 MAPRO A-GR5 (CH 33-40)	BACKP.AA2	1.862.652.00
			4B 5	32A 14A			P02 IO A-GR5 (CH 33-40)	BACKP.AA2	1.862.653.00
			4B 6	12A 14A			P02 MAPRO A-GR6 (CH 41-48)	BACKP.AA2	1.862.652.00
			4B 6	32A 14A			P02 IO A-GR6 (CH 41-48)	BACKP.AA2	1.862.653.00
			4B 6	52A 14A			P02 BTM	BACKP.AA2	1.862.670.00
			4B 10	72 5			GENERAL BUS ASSY.4B	BACKP.AA2	
			5D 1	9 1			PIF SERBUS INTERN	TD&HD-IF	
			6A 1	2 1			PIF SERBUS INTERN	DISPLAYP.	
			6A 2	13A 14A			DP MICROPROCESSOR	DISPLAYP.	1.862.815.00
			6A 4	8 1			R 8 ** NOT USED **	DISPLAYP.	

STUDER D820 MCH

* STUDER REVOX AG * S I G N A L W I R E L I S T * 91/02/19 * 11:24 * P A G E 474 *

 * 1.862.010.00 D820-48 PCM TAPE - RECORDER * 90/03/21 - 00 *

SIGNAL NAME	COLOR	MI	ASY GRP	ELM PNT	S LV TYPE	DESCRIPTION OF ELEMENT	REMARK	ELEMENT NR.	
PI-SDAT	1	1	9	5		SERBUS AUDIO CONTROL CONNECTOR	J09		
	1	19	3	2A		REPRODUCE CONTROLLER	J03	1.862.720.00	
	1	19	4	2A		RECORD CONTROLLER	J04	1.862.718.00	
	1	19	32	5		SERBUS AUDIO CONTROL CONNECTOR	P32	54.14.2001	
	1	28	1	5		SERBUS AUDIO CONTROL CONNECTOR	...		
	3A	1	12A	16A		P02 MAPRO A-GR1 (CH 01-08)	BACKP.AS1	1.862.652.00	
	3A	1	32A	16A		P02 IO A-GR1 (CH 01-08)	BACKP.AS1	1.862.653.00	
	3A	1S	12A	16A		P02 CUE MODEM	BACKP.AS1	1.862.661.00	
	3A	1S	22A	16A		P02 CENTRAL PROCESSOR UNIT	BACKP.AS1	1.862.655.00	
	3A	1S	32A	16A		P02 PERIPHERAL INTERFACE	BACKP.AS1	1.862.656.00	
	3A	1S	42A	16A		P02 SYNCHRONIZER	BACKP.AS1	1.862.659.00	
	3A	1S	52A	16A		P02 REFERENCE TRACK	BACKP.AS1	1.862.657.00	
	3A	10S	15	5		PIF SERBUS INTERN	BACKP.AS1		
	3A	10S	91	9		GENERAL BUS ASSY.3	BACKP.AS1		
	3A	11	72	9		GENERAL BUS ASSY.3A	BACKP.AS1		
	3B	2	12A	16A		P02 MAPRO A-GR2 (CH 09-16)	BACKP.AA1	1.862.652.00	
	3B	2	32A	16A		P02 IO A-GR2 (CH 09-16)	BACKP.AA1	1.862.653.00	
	3B	3	12A	16A		P02 MAPRO A-GR3 (CH 17-24)	BACKP.AA1	1.862.652.00	
	3B	3	32A	16A		P02 IO A-GR3 (CH 17-24)	BACKP.AA1	1.862.653.00	
	3B	3	52A	16A		P02 BTM	BACKP.AA1	1.862.670.00	
	3B	10	72	9		GENERAL BUS ASSY.3B	BACKP.AA1		
	4A	2S	12A	16A		P02 CLOCK-BOARD	BACKP.AS2	1.862.660.00	
	4A	2S	22A	16A		P02 PING-PONG	BACKP.AS2	1.862.662.00	
	4A	2S	32A	16A		P02 MASTER I/O A (CH 01-24)	BACKP.AS2	1.862.663.00	
	4A	2S	42A	16A		P02 MASTER I/O B (CH 25-48)	BACKP.AS2	1.862.663.00	
	4A	2S	52A	16A		P02 AES-INTERFACE	BACKP.AS2	1.862.664.00	
	4A	2S	62A	16A		P02 SOUND-MEMORY	BACKP.AS2	1.862.665.00	
	4A	4	12A	16A		P02 MAPRO A_GR4 (CH 25-32)	BACKP.AS2	1.862.652.00	
	4A	4	32A	16A		P02 IO A_GR4 (CH 25-32)	BACKP.AS2	1.862.653.00	
	4A	10S	91	9		GENERAL BUS ASSY.4	BACKP.AS2		
	4A	11	72	9		GENERAL BUS ASSY.4A	BACKP.AS2		
	4B	5	12A	16A		P02 MAPRO A-GR5 (CH 33-40)	BACKP.AA2	1.862.652.00	
	4B	5	32A	16A		P02 IO A-GR5 (CH 33-40)	BACKP.AA2	1.862.653.00	
	4B	6	12A	16A		P02 MAPRO A-GR6 (CH 41-48)	BACKP.AA2	1.862.652.00	
	4B	6	32A	16A		P02 IO A-GR6 (CH 41-48)	BACKP.AA2	1.862.653.00	
	4B	6	52A	16A		P02 BTM	BACKP.AA2	1.862.670.00	
	4B	10	72	9		GENERAL BUS ASSY.4B	BACKP.AA2		
	5D	1	9	5		PIF SERBUS INTERN	TD&HD-IF		
	6A	1	2	5		PIF SERBUS INTERN	DISPLAYP.		
	6A	2	13A	12A		DP MICROPROCESSOR	DISPLAYP.	1.862.815.00	
	6A	4	6	1		R 6 ** NOT USED **	DISPLAYP.		
	PI-SL4	1	1	11	5		TDC BUS CONNECTOR	J11	
		3A	1S	31A	4A		P01 PERIPHERAL INTERFACE	BACKP.AS1	1.862.656.00
3A		10S	21	5		PIF TDC-BUS	BACKP.AS1		
5D		1	11	5		PIF TDC-BUS	TD&HD-IF		
PI-SL5	1	1	11	3		TDC BUS CONNECTOR	J11		
	3A	1S	31A	3A		P01 PERIPHERAL INTERFACE	BACKP.AS1	1.862.656.00	
	3A	10S	21	3		PIF TDC-BUS	BACKP.AS1		
	5D	1	11	3		PIF TDC-BUS	TD&HD-IF		
PI-STPH	1	1	9	3		SERBUS AUDIO CONTROL CONNECTOR	J09		
	1	19	3	3A		REPRODUCE CONTROLLER	J03	1.862.720.00	
	1	19	4	3A		RECORD CONTROLLER	J04	1.862.718.00	
	1	19	32	5		SERBUS AUDIO CONTROL CONNECTOR	P32	54.14.2001	

 * STUDER REVOX AG * S I G N A L W I R E L I S T * 91/02/19 * 11:24 * P A G E 475 *

 * 1.862.010.00 D820-48 PCM TAPE - RECORDER * 90/03/21 - 00 *

SIGNAL NAME	COLOR	MI	ASY GRP	ELM PNT	S LV TYPE	DESCRIPTION OF ELEMENT	REMARK	ELEMENT NR.	
<<-- CONT. OF									
PI-STPH	1	19	32	3		SERBUS AUDIO CONTROL CONNECTOR	P32	54.14.2001	
	1	28	1	3		SERBUS AUDIO CONTROL CONNECTOR	...		
	3A	1	12A	15A		P02 MAPRO A-GR1 (CH 01-08)	BACKP.AS1	1.862.652.00	
	3A	1	32A	15A		P02 IO A-GR1 (CH 01-08)	BACKP.AS1	1.862.653.00	
	3A	1S	12A	15A		P02 CUE MODEM	BACKP.AS1	1.862.661.00	
	3A	1S	22A	15A		P02 CENTRAL PROCESSOR UNIT	BACKP.AS1	1.862.655.00	
	3A	1S	32A	15A		P02 PERIPHERAL INTERFACE	BACKP.AS1	1.862.656.00	
	3A	1S	42A	15A		P02 SYNCHRONIZER	BACKP.AS1	1.862.659.00	
	3A	1S	52A	15A		P02 REFERENCE TRACK	BACKP.AS1	1.862.657.00	
	3A	10S	15	3		PIF SERBUS INTERN	BACKP.AS1		
	3A	10S	91	7		GENERAL BUS ASSY.3	BACKP.AS1		
	3A	11	72	7		GENERAL BUS ASSY.3A	BACKP.AS1		
	3B	2	12A	15A		P02 MAPRO A-GR2 (CH 09-16)	BACKP.AA1	1.862.652.00	
	3B	2	32A	15A		P02 IO A-GR2 (CH 09-16)	BACKP.AA1	1.862.653.00	
	3B	3	12A	15A		P02 MAPRO A-GR3 (CH 17-24)	BACKP.AA1	1.862.652.00	
	3B	3	32A	15A		P02 IO A-GR3 (CH 17-24)	BACKP.AA1	1.862.653.00	
	3B	3	52A	15A		P02 BTM	BACKP.AA1	1.862.670.00	
	3B	10	72	7		GENERAL BUS ASSY.3B	BACKP.AA1		
	4A	2S	12A	15A		P02 CLOCK-BOARD	BACKP.AS2	1.862.660.00	
	4A	2S	22A	15A		P02 PING-PONG	BACKP.AS2	1.862.662.00	
	4A	2S	32A	15A		P02 MASTER I/O A (CH 01-24)	BACKP.AS2	1.862.663.00	
	4A	2S	42A	15A		P02 MASTER I/O B (CH 25-48)	BACKP.AS2	1.862.663.00	
	4A	2S	52A	15A		P02 AES-INTERFACE	BACKP.AS2	1.862.664.00	
	4A	2S	62A	15A		P02 SOUND-MEMORY	BACKP.AS2	1.862.665.00	
	4A	4	12A	15A		P02 MAPRO A_GR4 (CH 25-32)	BACKP.AS2	1.862.652.00	
	4A	4	32A	15A		P02 IO A_GR4 (CH 25-32)	BACKP.AS2	1.862.653.00	
	4A	10S	91	7		GENERAL BUS ASSY.4	BACKP.AS2		
	4A	11	72	7		GENERAL BUS ASSY.4A	BACKP.AS2		
	4B	5	12A	15A		P02 MAPRO A-GR5 (CH 33-40)	BACKP.AA2	1.862.652.00	
	4B	5	32A	15A		P02 IO A-GR5 (CH 33-40)	BACKP.AA2	1.862.653.00	
	4B	6	12A	15A		P02 MAPRO A-GR6 (CH 41-48)	BACKP.AA2	1.862.652.00	
	4B	6	32A	15A		P02 IO A-GR6 (CH 41-48)	BACKP.AA2	1.862.653.00	
	4B	6	52A	15A		P02 BTM	BACKP.AA2	1.862.670.00	
	4B	10	72	7		GENERAL BUS ASSY.4B	BACKP.AA2		
	5D	1	9	3		PIF SERBUS INTERN	TD&HD-IF		
	6A	1	2	3		PIF SERBUS INTERN	DISPLAYP.		
	6A	2	13A	13A		DP MICROPROCESSOR	DISPLAYP.	1.862.815.00	
	6A	4	7	1		R 7 ** NOT USED **	DISPLAYP.		
	PI-SVAL	1	1	9	7		SERBUS AUDIO CONTROL CONNECTOR	J09	
		1	19	3	1A		REPRODUCE CONTROLLER	J03	1.862.720.00
		1	19	4	1A		RECORD CONTROLLER	J04	1.862.718.00
		1	19	32	7		SERBUS AUDIO CONTROL CONNECTOR	P32	54.14.2001
		1	28	1	7		SERBUS AUDIO CONTROL CONNECTOR	...	
3A		1	12A	17A		P02 MAPRO A-GR1 (CH 01-08)	BACKP.AS1	1.862.652.00	
3A		1	32A	17A		P02 IO A-GR1 (CH 01-08)	BACKP.AS1	1.862.653.00	
3A		1S	12A	17A		P02 CUE MODEM	BACKP.AS1	1.862.661.00	
3A		1S	22A	17A		P02 CENTRAL PROCESSOR UNIT	BACKP.AS1	1.862.655.00	
3A		1S	32A	17A		P02 PERIPHERAL INTERFACE	BACKP.AS1	1.862.656.00	
3A		1S	42A	17A		P02 SYNCHRONIZER	BACKP.AS1	1.862.659.00	
3A		1S	52A	17A		P02 REFERENCE TRACK	BACKP.AS1	1.862.657.00	
3A		10S	15	7		PIF SERBUS INTERN	BACKP.AS1		
3A		10S	91	11		GENERAL BUS ASSY.3	BACKP.AS1		
3A		11	72	11		GENERAL BUS ASSY.3A	BACKP.AS1		

 * STUDER REVOX AG * S I G N A L W I R E L I S T * 91/02/19 * 11:24 * P A G E 476 *

 * 1.862.010.00 D820-48 PCM TAPE - RECORDER * 90/03/21 - 00 *

SIGNAL NAME	COLOR	MI	ASY	GRP	ELM	PNT	S	LV	TYPE	DESCRIPTION OF ELEMENT	REMARK	ELEMENT NR.
<<-- CONT.OF PI-SVAL			3B	2	12A	17A				P02 MAPRO A-GR2 (CH 09-16)	BACKP.AA1	1.862.652.00
			3B	2	32A	17A				P02 IO A-GR2 (CH 09-16)	BACKP.AA1	1.862.653.00
			3B	3	12A	17A				P02 MAPRO A-GR3 (CH 17-24)	BACKP.AA1	1.862.652.00
			3B	3	32A	17A				P02 IO A-GR3 (CH 17-24)	BACKP.AA1	1.862.653.00
			3B	3	52A	17A				P02 BTM	BACKP.AA1	1.862.670.00
			3B	10	72	11				GENERAL BUS ASSY.3B	BACKP.AA1	
			4A	2S	12A	17A				P02 CLOCK-BOARD	BACKP.AS2	1.862.660.00
			4A	2S	22A	17A				P02 PING-PONG	BACKP.AS2	1.862.662.00
			4A	2S	32A	17A				P02 MASTER I/O A (CH 01-24)	BACKP.AS2	1.862.663.00
			4A	2S	42A	17A				P02 MASTER I/O B (CH 25-48)	BACKP.AS2	1.862.663.00
			4A	2S	52A	17A				P02 AES-INTERFACE	BACKP.AS2	1.862.664.00
			4A	2S	62A	17A				P02 SOUND-MEMORY	BACKP.AS2	1.862.665.00
			4A	4	12A	17A				P02 MAPRO A-GR4 (CH 25-32)	BACKP.AS2	1.862.652.00
			4A	4	32A	17A				P02 IO A-GR4 (CH 25-32)	BACKP.AS2	1.862.653.00
			4A	10S	91	11				GENERAL BUS ASSY.4	BACKP.AS2	
			4A	11	72	11				GENERAL BUS ASSY.4	BACKP.AS2	
			4B	5	12A	17A				P02 MAPRO A-GR5 (CH 33-40)	BACKP.AA2	1.862.652.00
			4B	5	32A	17A				P02 IO A-GR5 (CH 33-40)	BACKP.AA2	1.862.653.00
			4B	6	12A	17A				P02 MAPRO A-GR6 (CH 41-48)	BACKP.AA2	1.862.652.00
			4B	6	32A	17A				P02 IO A-GR6 (CH 41-48)	BACKP.AA2	1.862.653.00
			4B	6	52A	17A				P02 BTM	BACKP.AA2	1.862.670.00
			4B	10	72	11				GENERAL BUS ASSY.4B	BACKP.AA2	
			6A	1	2	7				PIF SERBUS INTERN	TD&HD-IF	
			6A	1	2	7				PIF SERBUS INTERN	DISPLAYP.	
			6A	2	13A	11A				DP MICROPROCESSOR	DISPLAYP.	1.862.815.00
			6A	4	5	1				R 5 ** NOT USED **	DISPLAYP.	
PNLBUS1			1	35	8	1				WIRE FIELD		
			1	35	8	2				WIRE FIELD		
			1	35	8	3				WIRE FIELD		
			1	35	8	4				WIRE FIELD		
			1	35	8	5				WIRE FIELD		
			1	35	8	6				WIRE FIELD		
PNLBUS2			1	35	9	1				WIRE FIELD		
			1	35	9	2				WIRE FIELD		
			1	35	9	3				WIRE FIELD		
			1	35	9	4				WIRE FIELD		
			1	35	9	5				WIRE FIELD		
			1	35	9	6				WIRE FIELD		
PP-DAT10			3A	1	31A	23A				P01 IO A-GR1 (CH 01-08)	BACKP.AS1	1.862.653.00
			3A	11	41	3				IO A-GR.1/CHANNEL	1- 8	BACKP.AS1
			4A	2S	21A	16A				P01 PING-PONG		BACKP.AS2
			4A	10S	21	3				IO A-GR.1/CHANNEL	1- 8	BACKP.AS2
PP-DAT11			3A	1	31A	22A				P01 IO A-GR1 (CH 01-08)	BACKP.AS1	1.862.653.00
			3A	11	41	5				IO A-GR.1/CHANNEL	1- 8	BACKP.AS1
			4A	2S	21A	17A				P01 PING-PONG		BACKP.AS2
			4A	10S	21	5				IO A-GR.1/CHANNEL	1- 8	BACKP.AS2
PP-DAT20			3B	2	31A	23A				P01 IO A-GR2 (CH 09-16)	BACKP.AA1	1.862.653.00
			3B	10	41	7				IO A-GR.2+3/CHANNEL	9-24	BACKP.AA1
			4A	2S	21A	24A				P01 PING-PONG		BACKP.AS2
			4A	10S	22	7				IO A-GR.2+3/CHANNEL	9-24	BACKP.AS2

STUDER D820 MCH

* STUDER REVOX AG * S I G N A L W I R E L I S T * 91/02/19 * 11:24 * PAGE 477 *

* 1.862.010.00 D820-48 PCM TAPE - RECORDER * 90/03/21 - 00 *

SIGNAL NAME	COLOR	MI	ASY GRP	ELM PNT	S	LV	TYPE	DESCRIPTION OF ELEMENT	REMARK	ELEMENT NR.
PP-DAT21			3B 2	31A 22A				P01 IO A-GR2 (CH 09-16)	BACKP.AA1	1.862.653.00
			3B 10	41 5				IO A-GR.2+3/CHANNEL	9-24 BACKP.AA1	
			4A 2S	21A 23A				P01 PING-PONG	BACKP.AS2	1.862.662.00
			4A 10S	22 5				IO A-GR.2+3/CHANNEL	9-24 BACKP.AS2	
PP-DAT30			3B 3	31A 23A				P01 IO A-GR3 (CH 17-24)	BACKP.AA1	1.862.653.00
			3B 10	41 9				IO A-GR.2+3/CHANNEL	9-24 BACKP.AA1	
			4A 2S	21A 25A				P01 PING-PONG	BACKP.AS2	1.862.662.00
			4A 10S	22 9				IO A-GR.2+3/CHANNEL	9-24 BACKP.AS2	
PP-DAT31			3B 3	31A 22A				P01 IO A-GR3 (CH 17-24)	BACKP.AA1	1.862.653.00
			3B 10	41 11				IO A-GR.2+3/CHANNEL	9-24 BACKP.AA1	
			4A 2S	21A 26A				P01 PING-PONG	BACKP.AS2	1.862.662.00
			4A 10S	22 11				IO A-GR.2+3/CHANNEL	9-24 BACKP.AS2	
PP-DAT40			4A 2S	21A 15A				P01 PING-PONG	BACKP.AS2	1.862.662.00
			4A 4	31A 23A				P01 IO A_GR4 (CH 25-32)	BACKP.AS2	1.862.653.00
PP-DAT41			4A 2S	21A 14A				P01 PING-PONG	BACKP.AS2	1.862.662.00
			4A 4	31A 22A				P01 IO A_GR4 (CH 25-32)	BACKP.AS2	1.862.653.00
PP-DAT50			4A 2S	22A 6A				P02 PING-PONG	BACKP.AS2	1.862.662.00
			4A 10S	23 7				IO A-GR.4+5/CHANNEL	33-48 BACKP.AS2	
			4B 5	31A 23A				P01 IO A-GR5 (CH 33-40)	BACKP.AA2	1.862.653.00
			4B 10	41 7				IO A-GR.5+6/CHANNEL	33-48 BACKP.AA2	
PP-DAT51			4A 2S	22A 5A				P02 PING-PONG	BACKP.AS2	1.862.662.00
			4A 10S	23 5				IO A-GR.4+5/CHANNEL	33-48 BACKP.AS2	
			4B 5	31A 22A				P01 IO A-GR5 (CH 33-40)	BACKP.AA2	1.862.653.00
			4B 10	41 5				IO A-GR.5+6/CHANNEL	33-48 BACKP.AA2	
PP-DAT60			4A 2S	22A 7A				P02 PING-PONG	BACKP.AS2	1.862.662.00
			4A 10S	23 9				IO A-GR.4+5/CHANNEL	33-48 BACKP.AS2	
			4B 6	31A 23A				P01 IO A-GR6 (CH 41-48)	BACKP.AA2	1.862.653.00
			4B 10	41 9				IO A-GR.5+6/CHANNEL	33-48 BACKP.AA2	
PP-DAT61			4A 2S	22A 8A				P02 PING-PONG	BACKP.AS2	1.862.662.00
			4A 10S	23 11				IO A-GR.4+5/CHANNEL	33-48 BACKP.AS2	
			4B 6	31A 22A				P01 IO A-GR6 (CH 41-48)	BACKP.AA2	1.862.653.00
			4B 10	41 11				IO A-GR.5+6/CHANNEL	33-48 BACKP.AA2	
PP-IPRES			4A 2S	22C 11C				P02 PING-PONG	BACKP.AS2	1.862.662.00
			4A 2S	32C 11C				P02 MASTER I/O A (CH 01-24)	BACKP.AS2	1.862.663.00
			4A 2S	42C 11C				P02 MASTER I/O B (CH 25-48)	BACKP.AS2	1.862.663.00
PP-MID00			4A 2S	21A 10A				P01 PING-PONG	BACKP.AS2	1.862.662.00
			4A 2S	31A 10A				P01 MASTER I/O A (CH 01-24)	BACKP.AS2	1.862.663.00
			4A 2S	41A 10A				P01 MASTER I/O B (CH 25-48)	BACKP.AS2	1.862.663.00
			4A 2S	51A 10A				P01 AES-INTERFACE	BACKP.AS2	1.862.664.00
			4A 2S	61A 10A				P01 SOUND-MEMORY	BACKP.AS2	1.862.665.00
PP-MID01			4A 2S	21C 10C				P01 PING-PONG	BACKP.AS2	1.862.662.00
			4A 2S	31C 10C				P01 MASTER I/O A (CH 01-24)	BACKP.AS2	1.862.663.00
			4A 2S	41C 10C				P01 MASTER I/O B (CH 25-48)	BACKP.AS2	1.862.663.00
			4A 2S	51C 10C				P01 AES-INTERFACE	BACKP.AS2	1.862.664.00
			4A 2S	61C 10C				P01 SOUND-MEMORY	BACKP.AS2	1.862.665.00

* STUDER REVOX AG * S I G N A L W I R E L I S T * 91/02/19 * 11:24 * PAGE 478 *

* 1.862.010.00 D820-48 PCM TAPE - RECORDER * 90/03/21 - 00 *

SIGNAL NAME	COLOR	MI	ASY GRP	ELM PNT	S	LV	TYPE	DESCRIPTION OF ELEMENT	REMARK	ELEMENT NR.
PP-MID02			4A 2S	21A 9A				P01 PING-PONG	BACKP.AS2	1.862.662.00
			4A 2S	31A 9A				P01 MASTER I/O A (CH 01-24)	BACKP.AS2	1.862.663.00
			4A 2S	41A 9A				P01 MASTER I/O B (CH 25-48)	BACKP.AS2	1.862.663.00
			4A 2S	51A 9A				P01 AES-INTERFACE	BACKP.AS2	1.862.664.00
			4A 2S	61A 9A				P01 SOUND-MEMORY	BACKP.AS2	1.862.665.00
PP-MID03			4A 2S	21C 9C				P01 PING-PONG	BACKP.AS2	1.862.662.00
			4A 2S	31C 9C				P01 MASTER I/O A (CH 01-24)	BACKP.AS2	1.862.663.00
			4A 2S	41C 9C				P01 MASTER I/O B (CH 25-48)	BACKP.AS2	1.862.663.00
			4A 2S	51C 9C				P01 AES-INTERFACE	BACKP.AS2	1.862.664.00
			4A 2S	61C 9C				P01 SOUND-MEMORY	BACKP.AS2	1.862.665.00
PP-MID04			4A 2S	21A 8A				P01 PING-PONG	BACKP.AS2	1.862.662.00
			4A 2S	31A 8A				P01 MASTER I/O A (CH 01-24)	BACKP.AS2	1.862.663.00
			4A 2S	41A 8A				P01 MASTER I/O B (CH 25-48)	BACKP.AS2	1.862.663.00
			4A 2S	51A 8A				P01 AES-INTERFACE	BACKP.AS2	1.862.664.00
			4A 2S	61A 8A				P01 SOUND-MEMORY	BACKP.AS2	1.862.665.00
PP-MID05			4A 2S	21C 8C				P01 PING-PONG	BACKP.AS2	1.862.662.00
			4A 2S	31C 8C				P01 MASTER I/O A (CH 01-24)	BACKP.AS2	1.862.663.00
			4A 2S	41C 8C				P01 MASTER I/O B (CH 25-48)	BACKP.AS2	1.862.663.00
			4A 2S	51C 8C				P01 AES-INTERFACE	BACKP.AS2	1.862.664.00
			4A 2S	61C 8C				P01 SOUND-MEMORY	BACKP.AS2	1.862.665.00
PP-MID06			4A 2S	21A 7A				P01 PING-PONG	BACKP.AS2	1.862.662.00
			4A 2S	31A 7A				P01 MASTER I/O A (CH 01-24)	BACKP.AS2	1.862.663.00
			4A 2S	41A 7A				P01 MASTER I/O B (CH 25-48)	BACKP.AS2	1.862.663.00
			4A 2S	51A 7A				P01 AES-INTERFACE	BACKP.AS2	1.862.664.00
			4A 2S	61A 7A				P01 SOUND-MEMORY	BACKP.AS2	1.862.665.00
PP-MID07			4A 2S	21C 7C				P01 PING-PONG	BACKP.AS2	1.862.662.00
			4A 2S	31C 7C				P01 MASTER I/O A (CH 01-24)	BACKP.AS2	1.862.663.00
			4A 2S	41C 7C				P01 MASTER I/O B (CH 25-48)	BACKP.AS2	1.862.663.00
			4A 2S	51C 7C				P01 AES-INTERFACE	BACKP.AS2	1.862.664.00
			4A 2S	61C 7C				P01 SOUND-MEMORY	BACKP.AS2	1.862.665.00
PP-MID08			4A 2S	21A 6A				P01 PING-PONG	BACKP.AS2	1.862.662.00
			4A 2S	31A 6A				P01 MASTER I/O A (CH 01-24)	BACKP.AS2	1.862.663.00
			4A 2S	41A 6A				P01 MASTER I/O B (CH 25-48)	BACKP.AS2	1.862.663.00
			4A 2S	51A 6A				P01 AES-INTERFACE	BACKP.AS2	1.862.664.00
			4A 2S	61A 6A				P01 SOUND-MEMORY	BACKP.AS2	1.862.665.00
PP-MID09			4A 2S	21C 6C				P01 PING-PONG	BACKP.AS2	1.862.662.00
			4A 2S	31C 6C				P01 MASTER I/O A (CH 01-24)	BACKP.AS2	1.862.663.00
			4A 2S	41C 6C				P01 MASTER I/O B (CH 25-48)	BACKP.AS2	1.862.663.00
			4A 2S	51C 6C				P01 AES-INTERFACE	BACKP.AS2	1.862.664.00
			4A 2S	61C 6C				P01 SOUND-MEMORY	BACKP.AS2	1.862.665.00
PP-MID10			4A 2S	21A 5A				P01 PING-PONG	BACKP.AS2	1.862.662.00
			4A 2S	31A 5A				P01 MASTER I/O A (CH 01-24)	BACKP.AS2	1.862.663.00
			4A 2S	41A 5A				P01 MASTER I/O B (CH 25-48)	BACKP.AS2	1.862.663.00
			4A 2S	51A 5A				P01 AES-INTERFACE	BACKP.AS2	1.862.664.00
			4A 2S	61A 5A				P01 SOUND-MEMORY	BACKP.AS2	1.862.665.00

* STUDER REVOX AG * S I G N A L W I R E L I S T * 91/02/19 * 11:24 * PAGE 479 *

* 1.862.010.00 D820-48 PCM TAPE - RECORDER * 90/03/21 - 00 *

Table with columns: SIGNAL NAME, COLOR, MI, ASY, GRP, ELM, PNT, S, LV, TYPE, DESCRIPTION OF ELEMENT, REMARK, ELEMENT NR. Rows include PP-MID11, PP-MID12, PP-MID13, PP-MID14, PP-MID15, PPIDAT10, PPIDAT11, PPIDAT20, PPIDAT21, PPIDAT30.

* STUDER REVOX AG * S I G N A L W I R E L I S T * 91/02/19 * 11:24 * PAGE 480 *

* 1.862.010.00 D820-48 PCM TAPE - RECORDER * 90/03/21 - 00 *

Table with columns: SIGNAL NAME, COLOR, MI, ASY, GRP, ELM, PNT, S, LV, TYPE, DESCRIPTION OF ELEMENT, REMARK, ELEMENT NR. Rows include PPIDAT31, PPIDAT40, PPIDAT41, PPIDAT50, PPIDAT51, PPIDAT60, PPIDAT61, PHMPL-H1, PHMPL-H2, PHMPL-L1, PHMPL-L2, PHMPL-L3, PHMPL-L4.

STUDER D820 MCH

* STUDER REVOX AG * SIGNAL WIRE LIST * 91/02/19 * 11:24 * PAGE 481 *
 1.862.010.00 D820-48 PCM TAPE - RECORDER * 90/03/21 - 00 *

SIGNAL NAME	COLOR	MI	ASY	GRP	ELM	PNT	S	LV	TYPE	DESCRIPTION OF ELEMENT	REMARK	ELEMENT NR.
PWMP-L5			1	20	24	32				SPOOLING MOTOR DRIVER	J24	1.820.759.00
			1	20	67	14				SPOOLING M. DRIVE AMP. LEFT	P67	
			1	33	2	14				FROM GRP20, ELM67 (BASIS B. TD)	P01	
PWMP-L6			1	20	24	31				SPOOLING MOTOR DRIVER	J24	1.820.759.00
			1	20	67	15				SPOOLING M. DRIVE AMP. LEFT	P67	
			1	33	2	15				FROM GRP20, ELM67 (BASIS B. TD)	P01	
PWMPR-H1			1	20	24	7				SPOOLING MOTOR DRIVER	J24	1.820.759.00
			1	20	66	9				TO POWER FAIL SENSE BOARD	P66	
			1	29	5	9				FROM GRP20, ELM66 (BASIS B. TD)	P01	
			1	29	6	9				TO SPOOLING M. DRIVE AMP. RIGHT	P02	
			1	30	2	9				FROM GRP29, ELM06	P01	
PWMPR-H2			1	20	24	38				SPOOLING MOTOR DRIVER	J24	1.820.759.00
			1	20	66	10				TO POWER FAIL SENSE BOARD	P66	
			1	29	5	10				FROM GRP20, ELM66 (BASIS B. TD)	P01	
			1	29	6	10				TO SPOOLING M. DRIVE AMP. RIGHT	P02	
			1	30	2	10				FROM GRP29, ELM06	P01	
PWMPR-L1			1	20	24	39				SPOOLING MOTOR DRIVER	J24	1.820.759.00
			1	20	66	7				TO POWER FAIL SENSE BOARD	P66	
			1	29	5	7				FROM GRP20, ELM66 (BASIS B. TD)	P01	
			1	29	6	7				TO SPOOLING M. DRIVE AMP. RIGHT	P02	
			1	30	2	7				FROM GRP29, ELM06	P01	
PWMPR-L2			1	20	66	8				TO POWER FAIL SENSE BOARD	P66	
			1	29	5	8				FROM GRP20, ELM66 (BASIS B. TD)	P01	
			1	29	6	8				TO SPOOLING M. DRIVE AMP. RIGHT	P02	
			1	30	2	8				FROM GRP29, ELM06	P01	
PWMPR-L3			1	20	24	8				SPOOLING MOTOR DRIVER	J24	1.820.759.00
			1	20	66	11				TO POWER FAIL SENSE BOARD	P66	
			1	29	5	11				FROM GRP20, ELM66 (BASIS B. TD)	P01	
			1	29	6	11				TO SPOOLING M. DRIVE AMP. RIGHT	P02	
			1	30	2	11				FROM GRP29, ELM06	P01	
PWMPR-L4			1	20	24	37				SPOOLING MOTOR DRIVER	J24	1.820.759.00
			1	20	66	12				TO POWER FAIL SENSE BOARD	P66	
			1	29	5	12				FROM GRP20, ELM66 (BASIS B. TD)	P01	
			1	29	6	12				TO SPOOLING M. DRIVE AMP. RIGHT	P02	
			1	30	2	12				FROM GRP29, ELM06	P01	
PWMPR-L5			1	20	24	36				SPOOLING MOTOR DRIVER	J24	1.820.759.00
			1	20	66	14				TO POWER FAIL SENSE BOARD	P66	
			1	29	5	14				FROM GRP20, ELM66 (BASIS B. TD)	P01	
			1	29	6	14				TO SPOOLING M. DRIVE AMP. RIGHT	P02	
			1	30	2	14				FROM GRP29, ELM06	P01	
PWMPR-L6			1	20	24	10				SPOOLING MOTOR DRIVER	J24	1.820.759.00
			1	20	66	15				TO POWER FAIL SENSE BOARD	P66	
			1	29	5	15				FROM GRP20, ELM66 (BASIS B. TD)	P01	
			1	29	6	15				TO SPOOLING M. DRIVE AMP. RIGHT	P02	
			1	30	2	15				FROM GRP29, ELM06	P01	

* STUDER REVOX AG * SIGNAL WIRE LIST * 91/02/19 * 11:24 * PAGE 482 *
 1.862.010.00 D820-48 PCM TAPE - RECORDER * 90/03/21 - 00 *

SIGNAL NAME	COLOR	MI	ASY	GRP	ELM	PNT	S	LV	TYPE	DESCRIPTION OF ELEMENT	REMARK	ELEMENT NR.
RECH-C1			1	23	11	30				RECORD HEAD CONNECTOR 1 48 CH		
			1	23	11A	59				PRINT CONNECTOR 1 48 CH		
			1	23	21	1				RECORD HEAD CONNECTOR 1 24 CH		
			1	23	21A	1				PRINT CONNECTOR 1 24 CH		
			2	2	1	30				RECORD HEAD CONNECTOR 1 (48 CH)	P02	
			2	4	1	30				RECORD HEAD CONNECTOR 1 (48 CH)	P06	
			2	12	1	1				RECORD HEAD CONNECTOR 1 (24 CH)	P02	
			2	14	1	1				RECORD HEAD CONNECTOR 1 (24 CH)	P06	
RECH-C2			1	23	12	4				RECORD HEAD CONNECTOR 2 48 CH		
			1	23	12A	7				PRINT CONNECTOR 2 48 CH		
			1	23	22	31				RECORD HEAD CONNECTOR 2 24 CH		
			1	23	22A	31				PRINT CONNECTOR 2 24 CH		
			2	2	2	4				RECORD HEAD CONNECTOR 2 (48 CH)	P03	
			2	4	2	4				RECORD HEAD CONNECTOR 2 (48 CH)	P07	
			2	12	2	31				RECORD HEAD CONNECTOR 2 (24 CH)	P03	
			2	14	2	31				RECORD HEAD CONNECTOR 2 (24 CH)	P07	
RECH-RT			1	23	12	35				RECORD HEAD CONNECTOR 2 48 CH		
			1	23	12A	10				PRINT CONNECTOR 2 48 CH		
			1	23	22	34				RECORD HEAD CONNECTOR 2 24 CH		
			1	23	22A	34				PRINT CONNECTOR 2 24 CH		
			2	2	2	35				RECORD HEAD CONNECTOR 2 (48 CH)	P03	
			2	4	2	35				RECORD HEAD CONNECTOR 2 (48 CH)	P07	
			2	12	2	34				RECORD HEAD CONNECTOR 2 (24 CH)	P03	
			2	14	2	34				RECORD HEAD CONNECTOR 2 (24 CH)	P07	
RECH-TC			1	23	11	53				RECORD HEAD CONNECTOR 1 48 CH		
			1	23	11A	46				PRINT CONNECTOR 1 48 CH		
			1	23	21	4				RECORD HEAD CONNECTOR 1 24 CH		
			1	23	21A	4				PRINT CONNECTOR 1 24 CH		
			2	2	1	53				RECORD HEAD CONNECTOR 1 (48 CH)	P02	
			2	4	1	53				RECORD HEAD CONNECTOR 1 (48 CH)	P06	
			2	12	1	4				RECORD HEAD CONNECTOR 1 (24 CH)	P02	
			2	14	1	4				RECORD HEAD CONNECTOR 1 (24 CH)	P06	
RECH-01			1	23	11	24				RECORD HEAD CONNECTOR 1 48 CH		
			1	23	11A	47				PRINT CONNECTOR 1 48 CH		
			1	23	21	11				RECORD HEAD CONNECTOR 1 24 CH		
			1	23	21A	11				PRINT CONNECTOR 1 24 CH		
			2	2	1	24				RECORD HEAD CONNECTOR 1 (48 CH)	P02	
			2	4	1	24				RECORD HEAD CONNECTOR 1 (48 CH)	P06	
			2	12	1	11				RECORD HEAD CONNECTOR 1 (24 CH)	P02	
			2	14	1	11				RECORD HEAD CONNECTOR 1 (24 CH)	P06	
RECH-02			1	23	11	20				RECORD HEAD CONNECTOR 1 48 CH		
			1	23	11A	39				PRINT CONNECTOR 1 48 CH		
			1	23	21	15				RECORD HEAD CONNECTOR 1 24 CH		
			1	23	21A	15				PRINT CONNECTOR 1 24 CH		
			2	2	1	20				RECORD HEAD CONNECTOR 1 (48 CH)	P02	
			2	4	1	20				RECORD HEAD CONNECTOR 1 (48 CH)	P06	
			2	12	1	15				RECORD HEAD CONNECTOR 1 (24 CH)	P02	
			2	14	1	15				RECORD HEAD CONNECTOR 1 (24 CH)	P06	

* STUDER REVOX AG * S I G N A L W I R E L I S T * 91/02/19 * 11:24 * P A G E 483 *

* 1.862.010.00 D820-48 PCM TAPE - RECORDER * 90/03/21 - 00 *

Table with columns: SIGNAL NAME, COLOR, MI, ASY, GRP, ELM, PNT, S, LV, TYPE, DESCRIPTION OF ELEMENT, REMARK, ELEMENT NR. Rows include RECH-03, RECH-04, RECH-05, RECH-06, RECH-07, RECH-08.

* STUDER REVOX AG * S I G N A L W I R E L I S T * 91/02/19 * 11:24 * P A G E 484 *

* 1.862.010.00 D820-48 PCM TAPE - RECORDER * 90/03/21 - 00 *

Table with columns: SIGNAL NAME, COLOR, MI, ASY, GRP, ELM, PNT, S, LV, TYPE, DESCRIPTION OF ELEMENT, REMARK, ELEMENT NR. Rows include RECH-09, RECH-10, RECH-11, RECH-12, RECH-13, RECH-14.

STUDER D820 MCH

* STUDER REVOX AG * S I G N A L W I R E L I S T * 91/02/19 * 11:24 * P A G E 485 *

 * 1.862.010.00 D820-48 PCM TAPE - RECORDER * 90/03/21 - 00 *

SIGNAL NAME	COLOR	MI	ASY	GRP	ELM	PNT	S	LV	TYPE	DESCRIPTION OF ELEMENT	REMARK	ELEMENT NR.
RECH-15						1 23 12 45				RECORD HEAD CONNECTOR 2 48 CH		
						1 23 12A 30			PRINT CONNECTOR 2 48 CH			
						1 23 22 16			RECORD HEAD CONNECTOR 2 24 CH			
						1 23 22A 16			PRINT CONNECTOR 2 24 CH			
						2 2 2 45			RECORD HEAD CONNECTOR 2 (48 CH) P03			
						2 4 2 45			RECORD HEAD CONNECTOR 2 (48 CH) P07			
						2 12 2 16			RECORD HEAD CONNECTOR 2 (24 CH) P03			
						2 14 2 16			RECORD HEAD CONNECTOR 2 (24 CH) P07			
RECH-16						1 23 12 49				RECORD HEAD CONNECTOR 2 48 CH		
						1 23 12A 38			PRINT CONNECTOR 2 48 CH			
						1 23 22 12			RECORD HEAD CONNECTOR 2 24 CH			
						1 23 22A 12			PRINT CONNECTOR 2 24 CH			
						2 2 2 49			RECORD HEAD CONNECTOR 2 (48 CH) P03			
						2 4 2 49			RECORD HEAD CONNECTOR 2 (48 CH) P07			
						2 12 2 12			RECORD HEAD CONNECTOR 2 (24 CH) P03			
						2 14 2 12			RECORD HEAD CONNECTOR 2 (24 CH) P07			
RECH-17						1 23 12 53				RECORD HEAD CONNECTOR 2 48 CH		
						1 23 12A 46			PRINT CONNECTOR 2 48 CH			
						1 23 22 8			RECORD HEAD CONNECTOR 2 24 CH			
						1 23 22A 8			PRINT CONNECTOR 2 24 CH			
						2 2 2 53			RECORD HEAD CONNECTOR 2 (48 CH) P03			
						2 4 2 53			RECORD HEAD CONNECTOR 2 (48 CH) P07			
						2 12 2 8			RECORD HEAD CONNECTOR 2 (24 CH) P03			
						2 14 2 8			RECORD HEAD CONNECTOR 2 (24 CH) P07			
RECH-18						1 23 12 57				RECORD HEAD CONNECTOR 2 48 CH		
						1 23 12A 54			PRINT CONNECTOR 2 48 CH			
						1 23 22 4			RECORD HEAD CONNECTOR 2 24 CH			
						1 23 22A 4			PRINT CONNECTOR 2 24 CH			
						2 2 2 57			RECORD HEAD CONNECTOR 2 (48 CH) P03			
						2 4 2 57			RECORD HEAD CONNECTOR 2 (48 CH) P07			
						2 12 2 4			RECORD HEAD CONNECTOR 2 (24 CH) P03			
						2 14 2 4			RECORD HEAD CONNECTOR 2 (24 CH) P07			
RECH-19						1 23 12 30				RECORD HEAD CONNECTOR 2 48 CH		
						1 23 12A 59			PRINT CONNECTOR 2 48 CH			
						1 23 22 1			RECORD HEAD CONNECTOR 2 24 CH			
						1 23 22A 1			PRINT CONNECTOR 2 24 CH			
						2 2 2 30			RECORD HEAD CONNECTOR 2 (48 CH) P03			
						2 4 2 30			RECORD HEAD CONNECTOR 2 (48 CH) P07			
						2 12 2 1			RECORD HEAD CONNECTOR 2 (24 CH) P03			
						2 14 2 1			RECORD HEAD CONNECTOR 2 (24 CH) P07			
RECH-20						1 23 12 26				RECORD HEAD CONNECTOR 2 48 CH		
						1 23 12A 51			PRINT CONNECTOR 2 48 CH			
						1 23 22 5			RECORD HEAD CONNECTOR 2 24 CH			
						1 23 22A 5			PRINT CONNECTOR 2 24 CH			
						2 2 2 26			RECORD HEAD CONNECTOR 2 (48 CH) P03			
						2 4 2 26			RECORD HEAD CONNECTOR 2 (48 CH) P07			
						2 12 2 5			RECORD HEAD CONNECTOR 2 (24 CH) P03			
						2 14 2 5			RECORD HEAD CONNECTOR 2 (24 CH) P07			

 * STUDER REVOX AG * S I G N A L W I R E L I S T * 91/02/19 * 11:24 * P A G E 486 *

 * 1.862.010.00 D820-48 PCM TAPE - RECORDER * 90/03/21 - 00 *

SIGNAL NAME	COLOR	MI	ASY	GRP	ELM	PNT	S	LV	TYPE	DESCRIPTION OF ELEMENT	REMARK	ELEMENT NR.
RECH-21						1 23 12 22				RECORD HEAD CONNECTOR 2 48 CH		
						1 23 12A 43			PRINT CONNECTOR 2 48 CH			
						1 23 22 9			RECORD HEAD CONNECTOR 2 24 CH			
						1 23 22A 9			PRINT CONNECTOR 2 24 CH			
						2 2 2 22			RECORD HEAD CONNECTOR 2 (48 CH) P03			
						2 4 2 22			RECORD HEAD CONNECTOR 2 (48 CH) P07			
						2 12 2 9			RECORD HEAD CONNECTOR 2 (24 CH) P03			
						2 14 2 9			RECORD HEAD CONNECTOR 2 (24 CH) P07			
RECH-22						1 23 12 18				RECORD HEAD CONNECTOR 2 48 CH		
						1 23 12A 35			PRINT CONNECTOR 2 48 CH			
						1 23 22 13			RECORD HEAD CONNECTOR 2 24 CH			
						1 23 22A 13			PRINT CONNECTOR 2 24 CH			
						2 2 2 18			RECORD HEAD CONNECTOR 2 (48 CH) P03			
						2 4 2 18			RECORD HEAD CONNECTOR 2 (48 CH) P07			
						2 12 2 13			RECORD HEAD CONNECTOR 2 (24 CH) P03			
						2 14 2 13			RECORD HEAD CONNECTOR 2 (24 CH) P07			
RECH-23						1 23 12 14				RECORD HEAD CONNECTOR 2 48 CH		
						1 23 12A 27			PRINT CONNECTOR 2 48 CH			
						1 23 22 17			RECORD HEAD CONNECTOR 2 24 CH			
						1 23 22A 17			PRINT CONNECTOR 2 24 CH			
						2 2 2 14			RECORD HEAD CONNECTOR 2 (48 CH) P03			
						2 4 2 14			RECORD HEAD CONNECTOR 2 (48 CH) P07			
						2 12 2 17			RECORD HEAD CONNECTOR 2 (24 CH) P03			
						2 14 2 17			RECORD HEAD CONNECTOR 2 (24 CH) P07			
RECH-24						1 23 12 10				RECORD HEAD CONNECTOR 2 48 CH		
						1 23 12A 19			PRINT CONNECTOR 2 48 CH			
						1 23 22 21			RECORD HEAD CONNECTOR 2 24 CH			
						1 23 22A 21			PRINT CONNECTOR 2 24 CH			
						2 2 2 10			RECORD HEAD CONNECTOR 2 (48 CH) P03			
						2 4 2 10			RECORD HEAD CONNECTOR 2 (48 CH) P07			
						2 12 2 21			RECORD HEAD CONNECTOR 2 (24 CH) P03			
						2 14 2 21			RECORD HEAD CONNECTOR 2 (24 CH) P07			
RECH-25						1 23 11 26				RECORD HEAD CONNECTOR 1 48 CH		
						1 23 11A 51			PRINT CONNECTOR 1 48 CH			
						2 2 1 26			RECORD HEAD CONNECTOR 1 (48 CH) P02			
						2 4 1 26			RECORD HEAD CONNECTOR 1 (48 CH) P06			
RECH-26						1 23 11 22				RECORD HEAD CONNECTOR 1 48 CH		
						1 23 11A 43			PRINT CONNECTOR 1 48 CH			
						2 2 1 22			RECORD HEAD CONNECTOR 1 (48 CH) P02			
						2 4 1 22			RECORD HEAD CONNECTOR 1 (48 CH) P06			
RECH-27						1 23 11 18				RECORD HEAD CONNECTOR 1 48 CH		
						1 23 11A 35			PRINT CONNECTOR 1 48 CH			
						2 2 1 18			RECORD HEAD CONNECTOR 1 (48 CH) P02			
						2 4 1 18			RECORD HEAD CONNECTOR 1 (48 CH) P06			
RECH-28						1 23 11 14				RECORD HEAD CONNECTOR 1 48 CH		
						1 23 11A 27			PRINT CONNECTOR 1 48 CH			
						2 2 1 14			RECORD HEAD CONNECTOR 1 (48 CH) P02			
						2 4 1 14			RECORD HEAD CONNECTOR 1 (48 CH) P06			

```
* STUDER REVOX AG * S I G N A L W I R E L I S T * 91/02/19 * 11:24 * P A G E 487 *
*****
* 1.862.010.00 D820-48 PCM TAPE - RECORDER * 90/03/21 - 00 *
*****
```

SIGNAL NAME	COLOR	MI	ASY	GRP	ELM	PNT	S	LV	TYPE	DESCRIPTION OF ELEMENT	REMARK	ELEMENT NR.
RECH-29			1	23	11	10				RECORD HEAD CONNECTOR 1 48 CH		
			1	23	11A	19				PRINT CONNECTOR 1 48 CH		
			2	2	1	10				RECORD HEAD CONNECTOR 1 (48 CH)	P02	
			2	4	1	10				RECORD HEAD CONNECTOR 1 (48 CH)	P06	
RECH-30			1	23	11	6				RECORD HEAD CONNECTOR 1 48 CH		
			1	23	11A	11				PRINT CONNECTOR 1 48 CH		
			2	2	1	6				RECORD HEAD CONNECTOR 1 (48 CH)	P02	
			2	4	1	6				RECORD HEAD CONNECTOR 1 (48 CH)	P06	
RECH-31			1	23	11	2				RECORD HEAD CONNECTOR 1 48 CH		
			1	23	11A	5				PRINT CONNECTOR 1 48 CH		
			2	2	1	2				RECORD HEAD CONNECTOR 1 (48 CH)	P02	
			2	4	1	2				RECORD HEAD CONNECTOR 1 (48 CH)	P06	
RECH-32			1	23	11	33				RECORD HEAD CONNECTOR 1 48 CH		
			1	23	11A	6				PRINT CONNECTOR 1 48 CH		
			2	2	1	33				RECORD HEAD CONNECTOR 1 (48 CH)	P02	
			2	4	1	33				RECORD HEAD CONNECTOR 1 (48 CH)	P06	
RECH-33			1	23	11	37				RECORD HEAD CONNECTOR 1 48 CH		
			1	23	11A	14				PRINT CONNECTOR 1 48 CH		
			2	2	1	37				RECORD HEAD CONNECTOR 1 (48 CH)	P02	
			2	4	1	37				RECORD HEAD CONNECTOR 1 (48 CH)	P06	
RECH-34			1	23	11	41				RECORD HEAD CONNECTOR 1 48 CH		
			1	23	11A	22				PRINT CONNECTOR 1 48 CH		
			2	2	1	41				RECORD HEAD CONNECTOR 1 (48 CH)	P02	
			2	4	1	41				RECORD HEAD CONNECTOR 1 (48 CH)	P06	
RECH-35			1	23	11	45				RECORD HEAD CONNECTOR 1 48 CH		
			1	23	11A	30				PRINT CONNECTOR 1 48 CH		
			2	2	1	45				RECORD HEAD CONNECTOR 1 (48 CH)	P02	
			2	4	1	45				RECORD HEAD CONNECTOR 1 (48 CH)	P06	
RECH-36			1	23	11	49				RECORD HEAD CONNECTOR 1 48 CH		
			1	23	11A	38				PRINT CONNECTOR 1 48 CH		
			2	2	1	49				RECORD HEAD CONNECTOR 1 (48 CH)	P02	
			2	4	1	49				RECORD HEAD CONNECTOR 1 (48 CH)	P06	
RECH-37			1	23	12	39				RECORD HEAD CONNECTOR 2 48 CH		
			1	23	12A	18				PRINT CONNECTOR 2 48 CH		
			2	2	2	39				RECORD HEAD CONNECTOR 2 (48 CH)	P03	
			2	4	2	39				RECORD HEAD CONNECTOR 2 (48 CH)	P07	
RECH-38			1	23	12	43				RECORD HEAD CONNECTOR 2 48 CH		
			1	23	12A	26				PRINT CONNECTOR 2 48 CH		
			2	2	2	43				RECORD HEAD CONNECTOR 2 (48 CH)	P03	
			2	4	2	43				RECORD HEAD CONNECTOR 2 (48 CH)	P07	
RECH-39			1	23	12	47				RECORD HEAD CONNECTOR 2 48 CH		
			1	23	12A	34				PRINT CONNECTOR 2 48 CH		
			2	2	2	47				RECORD HEAD CONNECTOR 2 (48 CH)	P03	
			2	4	2	47				RECORD HEAD CONNECTOR 2 (48 CH)	P07	

```
*****
* STUDER REVOX AG * S I G N A L W I R E L I S T * 91/02/19 * 11:24 * P A G E 488 *
*****
* 1.862.010.00 D820-48 PCM TAPE - RECORDER * 90/03/21 - 00 *
*****
```

SIGNAL NAME	COLOR	MI	ASY	GRP	ELM	PNT	S	LV	TYPE	DESCRIPTION OF ELEMENT	REMARK	ELEMENT NR.
RECH-40			1	23	12	51				RECORD HEAD CONNECTOR 2 48 CH		
			1	23	12A	42				PRINT CONNECTOR 2 48 CH		
			2	2	2	51				RECORD HEAD CONNECTOR 2 (48 CH)	P03	
			2	4	2	51				RECORD HEAD CONNECTOR 2 (48 CH)	P07	
RECH-41			1	23	12	55				RECORD HEAD CONNECTOR 2 48 CH		
			1	23	12A	50				PRINT CONNECTOR 2 48 CH		
			2	2	2	55				RECORD HEAD CONNECTOR 2 (48 CH)	P03	
			2	4	2	55				RECORD HEAD CONNECTOR 2 (48 CH)	P07	
RECH-42			1	23	12	59				RECORD HEAD CONNECTOR 2 48 CH		
			1	23	12A	58				PRINT CONNECTOR 2 48 CH		
			2	2	2	59				RECORD HEAD CONNECTOR 2 (48 CH)	P03	
			2	4	2	59				RECORD HEAD CONNECTOR 2 (48 CH)	P07	
RECH-43			1	23	12	28				RECORD HEAD CONNECTOR 2 48 CH		
			1	23	12A	55				PRINT CONNECTOR 2 48 CH		
			2	2	2	28				RECORD HEAD CONNECTOR 2 (48 CH)	P03	
			2	4	2	28				RECORD HEAD CONNECTOR 2 (48 CH)	P07	
RECH-44			1	23	12	24				RECORD HEAD CONNECTOR 2 48 CH		
			1	23	12A	47				PRINT CONNECTOR 2 48 CH		
			2	2	2	24				RECORD HEAD CONNECTOR 2 (48 CH)	P03	
			2	4	2	24				RECORD HEAD CONNECTOR 2 (48 CH)	P07	
RECH-45			1	23	12	20				RECORD HEAD CONNECTOR 2 48 CH		
			1	23	12A	39				PRINT CONNECTOR 2 48 CH		
			2	2	2	20				RECORD HEAD CONNECTOR 2 (48 CH)	P03	
			2	4	2	20				RECORD HEAD CONNECTOR 2 (48 CH)	P07	
RECH-46			1	23	12	16				RECORD HEAD CONNECTOR 2 48 CH		
			1	23	12A	31				PRINT CONNECTOR 2 48 CH		
			2	2	2	16				RECORD HEAD CONNECTOR 2 (48 CH)	P03	
			2	4	2	16				RECORD HEAD CONNECTOR 2 (48 CH)	P07	
RECH-47			1	23	12	12				RECORD HEAD CONNECTOR 2 48 CH		
			1	23	12A	23				PRINT CONNECTOR 2 48 CH		
			2	2	2	12				RECORD HEAD CONNECTOR 2 (48 CH)	P03	
			2	4	2	12				RECORD HEAD CONNECTOR 2 (48 CH)	P07	
RECH-48			1	23	12	8				RECORD HEAD CONNECTOR 2 48 CH		
			1	23	12A	15				PRINT CONNECTOR 2 48 CH		
			2	2	2	8				RECORD HEAD CONNECTOR 2 (48 CH)	P03	
			2	4	2	8				RECORD HEAD CONNECTOR 2 (48 CH)	P07	
RECL-C1			1	23	11	29				RECORD HEAD CONNECTOR 1 48 CH		
			1	23	11A	57				PRINT CONNECTOR 1 48 CH		
			1	23	21	3				RECORD HEAD CONNECTOR 1 24 CH		
			1	23	21A	3				PRINT CONNECTOR 1 24 CH		
			2	2	1	29				RECORD HEAD CONNECTOR 1 (48 CH)	P02	
			2	4	1	29				RECORD HEAD CONNECTOR 1 (48 CH)	P06	
			2	12	1	3				RECORD HEAD CONNECTOR 1 (24 CH)	P02	
			2	14	1	3				RECORD HEAD CONNECTOR 1 (24 CH)	P06	

STUDER D820 MCH

***** STUDER REVOX AG * S I G N A L W I R E L I S T * 91/02/19 * 11:24 * P A G E 489 *
 ***** 1.862.010.00 D820-48 PCM TAPE - RECORDER * 90/03/21 - 00 *****

SIGNAL NAME	COLOR	MI	ASY	GRP	ELM	PNT	S	LV	TYPE	DESCRIPTION OF ELEMENT	REMARK	ELEMENT NR.
RECL-C2					1	23	12	3		RECORD HEAD CONNECTOR 2 48 CH		
					1	23	12A	5		PRINT CONNECTOR 2 48 CH		
					1	23	22	33		RECORD HEAD CONNECTOR 2 24 CH		
					1	23	22A	33		PRINT CONNECTOR 2 24 CH		
					2	2	2	3		RECORD HEAD CONNECTOR 2 (48 CH)	P03	
					2	4	2	3		RECORD HEAD CONNECTOR 2 (48 CH)	P07	
					2	12	2	33		RECORD HEAD CONNECTOR 2 (24 CH)	P03	
					2	14	2	33		RECORD HEAD CONNECTOR 2 (24 CH)	P07	
RECL-RT					1	23	12	36		RECORD HEAD CONNECTOR 2 48 CH		
					1	23	12A	12		PRINT CONNECTOR 2 48 CH		
					1	23	22	32		RECORD HEAD CONNECTOR 2 24 CH		
					1	23	22A	32		PRINT CONNECTOR 2 24 CH		
					2	2	2	36		RECORD HEAD CONNECTOR 2 (48 CH)	P03	
					2	4	2	36		RECORD HEAD CONNECTOR 2 (48 CH)	P07	
					2	12	2	32		RECORD HEAD CONNECTOR 2 (24 CH)	P03	
					2	14	2	32		RECORD HEAD CONNECTOR 2 (24 CH)	P07	
RECL-TC					1	23	11	54		RECORD HEAD CONNECTOR 1 48 CH		
					1	23	11A	48		PRINT CONNECTOR 1 48 CH		
					1	23	21	2		RECORD HEAD CONNECTOR 1 24 CH		
					1	23	21A	2		PRINT CONNECTOR 1 24 CH		
					2	2	1	54		RECORD HEAD CONNECTOR 1 (48 CH)	P02	
					2	4	1	54		RECORD HEAD CONNECTOR 1 (48 CH)	P06	
					2	12	1	2		RECORD HEAD CONNECTOR 1 (24 CH)	P02	
					2	14	1	2		RECORD HEAD CONNECTOR 1 (24 CH)	P06	
RECL-01					1	23	11	23		RECORD HEAD CONNECTOR 1 48 CH		
					1	23	11A	45		PRINT CONNECTOR 1 48 CH		
					1	23	21	13		RECORD HEAD CONNECTOR 1 24 CH		
					1	23	21A	13		PRINT CONNECTOR 1 24 CH		
					2	2	1	23		RECORD HEAD CONNECTOR 1 (48 CH)	P02	
					2	4	1	23		RECORD HEAD CONNECTOR 1 (48 CH)	P06	
					2	12	1	13		RECORD HEAD CONNECTOR 1 (24 CH)	P02	
					2	14	1	13		RECORD HEAD CONNECTOR 1 (24 CH)	P06	
RECL-02					1	23	11	19		RECORD HEAD CONNECTOR 1 48 CH		
					1	23	11A	37		PRINT CONNECTOR 1 48 CH		
					1	23	21	17		RECORD HEAD CONNECTOR 1 24 CH		
					1	23	21A	17		PRINT CONNECTOR 1 24 CH		
					2	2	1	19		RECORD HEAD CONNECTOR 1 (48 CH)	P02	
					2	4	1	19		RECORD HEAD CONNECTOR 1 (48 CH)	P06	
					2	12	1	17		RECORD HEAD CONNECTOR 1 (24 CH)	P02	
					2	14	1	17		RECORD HEAD CONNECTOR 1 (24 CH)	P06	
RECL-03					1	23	11	15		RECORD HEAD CONNECTOR 1 48 CH		
					1	23	11A	29		PRINT CONNECTOR 1 48 CH		
					1	23	21	21		RECORD HEAD CONNECTOR 1 24 CH		
					1	23	21A	21		PRINT CONNECTOR 1 24 CH		
					2	2	1	15		RECORD HEAD CONNECTOR 1 (48 CH)	P02	
					2	4	1	15		RECORD HEAD CONNECTOR 1 (48 CH)	P06	
					2	12	1	21		RECORD HEAD CONNECTOR 1 (24 CH)	P02	
					2	14	1	21		RECORD HEAD CONNECTOR 1 (24 CH)	P06	

***** STUDER REVOX AG * S I G N A L W I R E L I S T * 91/02/19 * 11:24 * P A G E 490 *
 ***** 1.862.010.00 D820-48 PCM TAPE - RECORDER * 90/03/21 - 00 *****

SIGNAL NAME	COLOR	MI	ASY	GRP	ELM	PNT	S	LV	TYPE	DESCRIPTION OF ELEMENT	REMARK	ELEMENT NR.
RECL-04					1	23	11	11		RECORD HEAD CONNECTOR 1 48 CH		
					1	23	11A	21		PRINT CONNECTOR 1 48 CH		
					1	23	21	25		RECORD HEAD CONNECTOR 1 24 CH		
					1	23	21A	25		PRINT CONNECTOR 1 24 CH		
					2	12	1	25		RECORD HEAD CONNECTOR 1 (24 CH)	P02	
					2	14	1	25		RECORD HEAD CONNECTOR 1 (24 CH)	P06	
RECL-05					1	23	11	7		RECORD HEAD CONNECTOR 1 48 CH		
					1	23	11A	13		PRINT CONNECTOR 1 48 CH		
					1	23	21	29		RECORD HEAD CONNECTOR 1 24 CH		
					1	23	21A	29		PRINT CONNECTOR 1 24 CH		
					2	2	1	7		RECORD HEAD CONNECTOR 1 (48 CH)	P02	
					2	2	1	11		RECORD HEAD CONNECTOR 1 (48 CH)	P02	
					2	4	1	7		RECORD HEAD CONNECTOR 1 (48 CH)	P06	
					2	4	1	11		RECORD HEAD CONNECTOR 1 (48 CH)	P06	
RECL-06					1	23	11	3		RECORD HEAD CONNECTOR 1 48 CH		
					1	23	11A	5		PRINT CONNECTOR 1 48 CH		
					1	23	21	33		RECORD HEAD CONNECTOR 1 24 CH		
					1	23	21A	33		PRINT CONNECTOR 1 24 CH		
					2	2	1	3		RECORD HEAD CONNECTOR 1 (48 CH)	P02	
					2	4	1	3		RECORD HEAD CONNECTOR 1 (48 CH)	P06	
					2	12	1	33		RECORD HEAD CONNECTOR 1 (24 CH)	P02	
					2	14	1	33		RECORD HEAD CONNECTOR 1 (24 CH)	P06	
RECL-07					1	23	11	32		RECORD HEAD CONNECTOR 1 48 CH		
					1	23	11A	4		PRINT CONNECTOR 1 48 CH		
					1	23	21	32		RECORD HEAD CONNECTOR 1 24 CH		
					1	23	21A	32		PRINT CONNECTOR 1 24 CH		
					2	2	1	32		RECORD HEAD CONNECTOR 1 (48 CH)	P02	
					2	4	1	32		RECORD HEAD CONNECTOR 1 (48 CH)	P06	
					2	12	1	32		RECORD HEAD CONNECTOR 1 (24 CH)	P02	
					2	14	1	32		RECORD HEAD CONNECTOR 1 (24 CH)	P06	
RECL-08					1	23	11	36		RECORD HEAD CONNECTOR 1 48 CH		
					1	23	11A	12		PRINT CONNECTOR 1 48 CH		
					1	23	21	28		RECORD HEAD CONNECTOR 1 24 CH		
					1	23	21A	28		PRINT CONNECTOR 1 24 CH		
					2	2	1	36		RECORD HEAD CONNECTOR 1 (48 CH)	P02	
					2	4	1	36		RECORD HEAD CONNECTOR 1 (48 CH)	P06	
RECL-09					1	23	11	40		RECORD HEAD CONNECTOR 1 48 CH		
					1	23	11A	20		PRINT CONNECTOR 1 48 CH		
					1	23	21	24		RECORD HEAD CONNECTOR 1 24 CH		
					1	23	21A	24		PRINT CONNECTOR 1 24 CH		
					2	2	1	40		RECORD HEAD CONNECTOR 1 (48 CH)	P02	
					2	4	1	40		RECORD HEAD CONNECTOR 1 (48 CH)	P06	

* STUDER REVOX AG * S I G N A L W I R E L I S T * 91/02/19 * 11:24 * PAGE 491 *

* 1.862.010.00 D820-48 PCM TAPE - RECORDER * 90/03/21 - 00 *

Table with columns: SIGNAL NAME, COLOR, MI, ASY, GRP, ELM, PNT, S, LV, TYPE, DESCRIPTION OF ELEMENT, REMARK, ELEMENT NR. Contains entries RECL-10 through RECL-15.

* STUDER REVOX AG * S I G N A L W I R E L I S T * 91/02/19 * 11:24 * PAGE 492 *

* 1.862.010.00 D820-48 PCM TAPE - RECORDER * 90/03/21 - 00 *

Table with columns: SIGNAL NAME, COLOR, MI, ASY, GRP, ELM, PNT, S, LV, TYPE, DESCRIPTION OF ELEMENT, REMARK, ELEMENT NR. Contains entries RECL-16 through RECL-21.

STUDER D820 MCH

* STUDER REVOX AG * S I G N A L W I R E L I S T * 91/02/19 * 11:24 * P A G E 493 *
 * 1.862.010.00 D820-48 PCM TAPE - RECORDER * 90/03/21 - 00 *

SIGNAL NAME	COLOR	MI	ASY	GRP	ELM	PNT	S	LV	TYPE	DESCRIPTION OF ELEMENT	REMARK	ELEMENT NR.
RECL-22					1	23 12 17				RECORD HEAD CONNECTOR 2 48 CH		
					1	23 12A 33			PRINT CONNECTOR 2 48 CH			
					1	23 22 15			RECORD HEAD CONNECTOR 2 24 CH			
					1	23 22A 15			PRINT CONNECTOR 2 24 CH			
					2	2 2 17			RECORD HEAD CONNECTOR 2 (48 CH) P03			
					2	4 2 17			RECORD HEAD CONNECTOR 2 (48 CH) P07			
					2	12 2 15			RECORD HEAD CONNECTOR 2 (24 CH) P03			
					2	14 2 15			RECORD HEAD CONNECTOR 2 (24 CH) P07			
RECL-23					1	23 12 13				RECORD HEAD CONNECTOR 2 48 CH		
					1	23 12A 25			PRINT CONNECTOR 2 48 CH			
					1	23 22 19			RECORD HEAD CONNECTOR 2 24 CH			
					1	23 22A 19			PRINT CONNECTOR 2 24 CH			
					2	2 2 13			RECORD HEAD CONNECTOR 2 (48 CH) P03			
					2	4 2 13			RECORD HEAD CONNECTOR 2 (48 CH) P07			
					2	12 2 19			RECORD HEAD CONNECTOR 2 (24 CH) P03			
					2	14 2 19			RECORD HEAD CONNECTOR 2 (24 CH) P07			
RECL-24					1	23 12 9				RECORD HEAD CONNECTOR 2 48 CH		
					1	23 12A 17			PRINT CONNECTOR 2 48 CH			
					1	23 22 23			RECORD HEAD CONNECTOR 2 24 CH			
					1	23 22A 23			PRINT CONNECTOR 2 24 CH			
					2	2 2 9			RECORD HEAD CONNECTOR 2 (48 CH) P03			
					2	4 2 9			RECORD HEAD CONNECTOR 2 (48 CH) P07			
					2	12 2 23			RECORD HEAD CONNECTOR 2 (24 CH) P03			
					2	14 2 23			RECORD HEAD CONNECTOR 2 (24 CH) P07			
RECL-25					1	23 11 25				RECORD HEAD CONNECTOR 1 48 CH		
					1	23 11A 49			PRINT CONNECTOR 1 48 CH			
					2	2 1 25			RECORD HEAD CONNECTOR 1 (48 CH) P02			
					2	4 1 25			RECORD HEAD CONNECTOR 1 (48 CH) P06			
RECL-26					1	23 11 21				RECORD HEAD CONNECTOR 1 48 CH		
					1	23 11A 41			PRINT CONNECTOR 1 48 CH			
					2	2 1 21			RECORD HEAD CONNECTOR 1 (48 CH) P02			
					2	4 1 21			RECORD HEAD CONNECTOR 1 (48 CH) P06			
RECL-27					1	23 11 17				RECORD HEAD CONNECTOR 1 48 CH		
					1	23 11A 33			PRINT CONNECTOR 1 48 CH			
					2	2 1 17			RECORD HEAD CONNECTOR 1 (48 CH) P02			
					2	4 1 17			RECORD HEAD CONNECTOR 1 (48 CH) P06			
RECL-28					1	23 11 13				RECORD HEAD CONNECTOR 1 48 CH		
					1	23 11A 25			PRINT CONNECTOR 1 48 CH			
					2	2 1 13			RECORD HEAD CONNECTOR 1 (48 CH) P02			
					2	4 1 13			RECORD HEAD CONNECTOR 1 (48 CH) P06			
RECL-29					1	23 11 9				RECORD HEAD CONNECTOR 1 48 CH		
					1	23 11A 17			PRINT CONNECTOR 1 48 CH			
					2	2 1 9			RECORD HEAD CONNECTOR 1 (48 CH) P02			
					2	4 1 9			RECORD HEAD CONNECTOR 1 (48 CH) P06			
RECL-30					1	23 11 5				RECORD HEAD CONNECTOR 1 48 CH		
					1	23 11A 9			PRINT CONNECTOR 1 48 CH			
					2	2 1 5			RECORD HEAD CONNECTOR 1 (48 CH) P02			
					2	4 1 5			RECORD HEAD CONNECTOR 1 (48 CH) P06			

* STUDER REVOX AG * S I G N A L W I R E L I S T * 91/02/19 * 11:24 * P A G E 494 *
 * 1.862.010.00 D820-48 PCM TAPE - RECORDER * 90/03/21 - 00 *

SIGNAL NAME	COLOR	MI	ASY	GRP	ELM	PNT	S	LV	TYPE	DESCRIPTION OF ELEMENT	REMARK	ELEMENT NR.
RECL-31					1	23 11 1				RECORD HEAD CONNECTOR 1 48 CH		
					1	23 11A 1			PRINT CONNECTOR 1 48 CH			
					2	2 1 1			RECORD HEAD CONNECTOR 1 (48 CH) P02			
					2	4 1 1			RECORD HEAD CONNECTOR 1 (48 CH) P06			
RECL-32					1	23 11 34				RECORD HEAD CONNECTOR 1 48 CH		
					1	23 11A 8			PRINT CONNECTOR 1 48 CH			
					2	2 1 34			RECORD HEAD CONNECTOR 1 (48 CH) P02			
					2	4 1 34			RECORD HEAD CONNECTOR 1 (48 CH) P06			
RECL-33					1	23 11 38				RECORD HEAD CONNECTOR 1 48 CH		
					1	23 11A 16			PRINT CONNECTOR 1 48 CH			
					2	2 1 38			RECORD HEAD CONNECTOR 1 (48 CH) P02			
					2	4 1 38			RECORD HEAD CONNECTOR 1 (48 CH) P06			
RECL-34					1	23 11 42				RECORD HEAD CONNECTOR 1 48 CH		
					1	23 11A 24			PRINT CONNECTOR 1 48 CH			
					2	2 1 42			RECORD HEAD CONNECTOR 1 (48 CH) P02			
					2	4 1 42			RECORD HEAD CONNECTOR 1 (48 CH) P06			
RECL-35					1	23 11 46				RECORD HEAD CONNECTOR 1 48 CH		
					1	23 11A 32			PRINT CONNECTOR 1 48 CH			
					2	2 1 46			RECORD HEAD CONNECTOR 1 (48 CH) P02			
					2	4 1 46			RECORD HEAD CONNECTOR 1 (48 CH) P06			
RECL-36					1	23 11 50				RECORD HEAD CONNECTOR 1 48 CH		
					1	23 11A 40			PRINT CONNECTOR 1 48 CH			
					2	2 1 50			RECORD HEAD CONNECTOR 1 (48 CH) P02			
					2	4 1 50			RECORD HEAD CONNECTOR 1 (48 CH) P06			
RECL-37					1	23 12 40				RECORD HEAD CONNECTOR 2 48 CH		
					1	23 12A 20			PRINT CONNECTOR 2 48 CH			
					2	2 2 40			RECORD HEAD CONNECTOR 2 (48 CH) P03			
					2	4 2 40			RECORD HEAD CONNECTOR 2 (48 CH) P07			
RECL-38					1	23 12 44				RECORD HEAD CONNECTOR 2 48 CH		
					1	23 12A 28			PRINT CONNECTOR 2 48 CH			
					2	2 2 44			RECORD HEAD CONNECTOR 2 (48 CH) P03			
					2	4 2 44			RECORD HEAD CONNECTOR 2 (48 CH) P07			
RECL-39					1	23 12 48				RECORD HEAD CONNECTOR 2 48 CH		
					1	23 12A 36			PRINT CONNECTOR 2 48 CH			
					2	2 2 48			RECORD HEAD CONNECTOR 2 (48 CH) P03			
					2	4 2 48			RECORD HEAD CONNECTOR 2 (48 CH) P07			
RECL-40					1	23 12 52				RECORD HEAD CONNECTOR 2 48 CH		
					1	23 12A 44			PRINT CONNECTOR 2 48 CH			
					2	2 2 52			RECORD HEAD CONNECTOR 2 (48 CH) P03			
					2	4 2 52			RECORD HEAD CONNECTOR 2 (48 CH) P07			
RECL-41					1	23 12 56				RECORD HEAD CONNECTOR 2 48 CH		
					1	23 12A 52			PRINT CONNECTOR 2 48 CH			
					2	2 2 56			RECORD HEAD CONNECTOR 2 (48 CH) P03			
					2	4 2 56			RECORD HEAD CONNECTOR 2 (48 CH) P07			

* STUDER REVOX AG * SIGNAL WIRE LIST * 91/02/19 * 11:24 * PAGE 495 *

 * 1.862.010.00 D820-48 PCM TAPE - RECORDER * 90/03/21 - 00 *

SIGNAL NAME	COLOR	MI	ASY	GRP	ELM	PNT	S	LV	TYPE	DESCRIPTION OF ELEMENT	REMARK	ELEMENT NR.
RECL-42			1	23	12	60				RECORD HEAD CONNECTOR 2 48 CH		
			1	23	12A	60				PRINT CONNECTOR 2 48 CH		
			2	2	2	60				RECORD HEAD CONNECTOR 2 (48 CH) P03		
			2	4	2	60				RECORD HEAD CONNECTOR 2 (48 CH) P07		
RECL-43			1	23	12	27				RECORD HEAD CONNECTOR 2 48 CH		
			1	23	12A	53				PRINT CONNECTOR 2 48 CH		
			2	2	2	27				RECORD HEAD CONNECTOR 2 (48 CH) P03		
			2	4	2	27				RECORD HEAD CONNECTOR 2 (48 CH) P07		
RECL-44			1	23	12	23				RECORD HEAD CONNECTOR 2 48 CH		
			1	23	12A	45				PRINT CONNECTOR 2 48 CH		
			2	2	2	23				RECORD HEAD CONNECTOR 2 (48 CH) P03		
			2	4	2	23				RECORD HEAD CONNECTOR 2 (48 CH) P07		
RECL-45			1	23	12	19				RECORD HEAD CONNECTOR 2 48 CH		
			1	23	12A	37				PRINT CONNECTOR 2 48 CH		
			2	2	2	19				RECORD HEAD CONNECTOR 2 (48 CH) P03		
			2	4	2	19				RECORD HEAD CONNECTOR 2 (48 CH) P07		
RECL-46			1	23	12	15				RECORD HEAD CONNECTOR 2 48 CH		
			1	23	12A	29				PRINT CONNECTOR 2 48 CH		
			2	2	2	15				RECORD HEAD CONNECTOR 2 (48 CH) P03		
			2	4	2	15				RECORD HEAD CONNECTOR 2 (48 CH) P07		
RECL-47			1	23	12	11				RECORD HEAD CONNECTOR 2 48 CH		
			1	23	12A	21				PRINT CONNECTOR 2 48 CH		
			2	2	2	11				RECORD HEAD CONNECTOR 2 (48 CH) P03		
			2	4	2	11				RECORD HEAD CONNECTOR 2 (48 CH) P07		
RECL-48			1	23	12	7				RECORD HEAD CONNECTOR 2 48 CH		
			1	23	12A	13				PRINT CONNECTOR 2 48 CH		
			2	2	2	7				RECORD HEAD CONNECTOR 2 (48 CH) P03		
			2	4	2	7				RECORD HEAD CONNECTOR 2 (48 CH) P07		
RECVH-C1			1	21	24	7					P24	54.14.2001
			1	23	9	7					P09	54.14.2001
RECVH-C2			1	21	24	9					P24	54.14.2001
			1	23	9	9					P09	54.14.2001
RECVH-RT			1	21	24	1					P24	54.14.2001
			1	23	9	1					P09	54.14.2001
RECVH-TC			1	21	24	3					P24	54.14.2001
			1	23	9	3					P09	54.14.2001
RECVH-01			1	21	18	1					P18	54.14.2002
			1	23	3	1					P03	54.14.2002
RECVH-02			1	21	18	3					P18	54.14.2002
			1	23	3	3					P03	54.14.2002
RECVH-03			1	21	18	5					P18	54.14.2002
			1	23	3	5					P03	54.14.2002

* STUDER REVOX AG * SIGNAL WIRE LIST * 91/02/19 * 11:24 * PAGE 496 *

 * 1.862.010.00 D820-48 PCM TAPE - RECORDER * 90/03/21 - 00 *

SIGNAL NAME	COLOR	MI	ASY	GRP	ELM	PNT	S	LV	TYPE	DESCRIPTION OF ELEMENT	REMARK	ELEMENT NR.
RECVH-04			1	21	18	7					P18	54.14.2002
			1	23	3	7					P03	54.14.2002
RECVH-05			1	21	18	9					P18	54.14.2002
			1	23	3	9					P03	54.14.2002
RECVH-06			1	21	18	11					P18	54.14.2002
			1	23	3	11					P03	54.14.2002
RECVH-07			1	21	18	13					P18	54.14.2002
			1	23	3	13					P03	54.14.2002
RECVH-08			1	21	18	15					P18	54.14.2002
			1	23	3	15					P03	54.14.2002
RECVH-09			1	21	19	1					P19	54.14.2002
			1	23	4	1					P04	54.14.2002
RECVH-10			1	21	19	3					P19	54.14.2002
			1	23	4	3					P04	54.14.2002
RECVH-11			1	21	19	5					P19	54.14.2002
			1	23	4	5					P04	54.14.2002
RECVH-12			1	21	19	7					P19	54.14.2002
			1	23	4	7					P04	54.14.2002
RECVH-13			1	21	19	9					P19	54.14.2002
			1	23	4	9					P04	54.14.2002
RECVH-14			1	21	19	11					P19	54.14.2002
			1	23	4	11					P04	54.14.2002
RECVH-15			1	21	19	13					P19	54.14.2002
			1	23	4	13					P04	54.14.2002
RECVH-16			1	21	19	15					P19	54.14.2002
			1	23	4	15					P04	54.14.2002
RECVH-17			1	21	20	1					P20	54.14.2002
			1	23	5	1					P05	54.14.2002
RECVH-18			1	21	20	3					P20	54.14.2002
			1	23	5	3					P05	54.14.2002
RECVH-19			1	21	20	5					P20	54.14.2002
			1	23	5	5					P05	54.14.2002
RECVH-20			1	21	20	7					P20	54.14.2002
			1	23	5	7					P05	54.14.2002
RECVH-21			1	21	20	9					P20	54.14.2002
			1	23	5	9					P05	54.14.2002
RECVH-22			1	21	20	11					P20	54.14.2002
			1	23	5	11					P05	54.14.2002

STUDER D820 MCH

```

* STUDER REVOX AG * S I G N A L W I R E L I S T * 91/02/19 * 11:24 * P A G E 497 *
*****
* 1.862.010.00 D820-48 PCM TAPE - RECORDER * 90/03/21 - 00 *
*****

```

SIGNAL NAME	COLOR	MI	ASY GRP	ELM PNT	S LV	TYPE	DESCRIPTION OF ELEMENT	REMARK	ELEMENT NR.
RECVH-23			1 21 20 13					P20	54.14.2002
			1 23 5 13					P05	54.14.2002
RECVH-24			1 21 20 15					P20	54.14.2002
			1 23 5 15					P05	54.14.2002
RECVH-25			1 21 21 1					P21	54.14.2002
			1 23 6 1					P06	54.14.2002
RECVH-26			1 21 21 3					P21	54.14.2002
			1 23 6 3					P06	54.14.2002
RECVH-27			1 21 21 5					P21	54.14.2002
			1 23 6 5					P06	54.14.2002
RECVH-28			1 21 21 7					P21	54.14.2002
			1 23 6 7					P06	54.14.2002
RECVH-29			1 21 21 9					P21	54.14.2002
			1 23 6 9					P06	54.14.2002
RECVH-30			1 21 21 11					P21	54.14.2002
			1 23 6 11					P06	54.14.2002
RECVH-31			1 21 21 13					P21	54.14.2002
			1 23 6 13					P06	54.14.2002
RECVH-32			1 21 21 15					P21	54.14.2002
			1 23 6 15					P06	54.14.2002
RECVH-33			1 21 22 1					P22	54.14.2002
			1 23 7 1					P07	54.14.2002
RECVH-34			1 21 22 3					P22	54.14.2002
			1 23 7 3					P07	54.14.2002
RECVH-35			1 21 22 5					P22	54.14.2002
			1 23 7 5					P07	54.14.2002
RECVH-36			1 21 22 7					P22	54.14.2002
			1 23 7 7					P07	54.14.2002
RECVH-37			1 21 22 9					P22	54.14.2002
			1 23 7 9					P07	54.14.2002
RECVH-38			1 21 22 11					P22	54.14.2002
			1 23 7 11					P07	54.14.2002
RECVH-39			1 21 22 13					P22	54.14.2002
			1 23 7 13					P07	54.14.2002
RECVH-40			1 21 22 15					P22	54.14.2002
			1 23 7 15					P07	54.14.2002
RECVH-41			1 21 23 1					P23	54.14.2002
			1 23 8 1					P08	54.14.2002

```

* STUDER REVOX AG * S I G N A L W I R E L I S T * 91/02/19 * 11:24 * P A G E 498 *
*****
* 1.862.010.00 D820-48 PCM TAPE - RECORDER * 90/03/21 - 00 *
*****

```

SIGNAL NAME	COLOR	MI	ASY GRP	ELM PNT	S LV	TYPE	DESCRIPTION OF ELEMENT	REMARK	ELEMENT NR.
RECVH-42			1 21 23 3					P23	54.14.2002
			1 23 8 3					P08	54.14.2002
RECVH-43			1 21 23 5					P23	54.14.2002
			1 23 8 5					P08	54.14.2002
RECVH-44			1 21 23 7					P23	54.14.2002
			1 23 8 7					P08	54.14.2002
RECVH-45			1 21 23 9					P23	54.14.2002
			1 23 8 9					P08	54.14.2002
RECVH-46			1 21 23 11					P23	54.14.2002
			1 23 8 11					P08	54.14.2002
RECVH-47			1 21 23 13					P23	54.14.2002
			1 23 8 13					P08	54.14.2002
RECVH-48			1 21 23 15					P23	54.14.2002
			1 23 8 15					P08	54.14.2002
RECVL-C1			1 21 24 8					P24	54.14.2001
			1 23 9 8					P09	54.14.2001
RECVL-C2			1 21 24 10					P24	54.14.2001
			1 23 9 10					P09	54.14.2001
RECVL-RT			1 21 24 2					P24	54.14.2001
			1 23 9 2					P09	54.14.2001
RECVL-TC			1 21 24 4					P24	54.14.2001
			1 23 9 4					P09	54.14.2001
RECVL-01			1 21 18 2					P18	54.14.2002
			1 23 3 2					P03	54.14.2002
RECVL-02			1 21 18 4					P18	54.14.2002
			1 23 3 4					P03	54.14.2002
RECVL-03			1 21 18 6					P18	54.14.2002
			1 23 3 6					P03	54.14.2002
RECVL-04			1 21 18 8					P18	54.14.2002
			1 23 3 8					P03	54.14.2002
RECVL-05			1 21 18 10					P18	54.14.2002
			1 23 3 10					P03	54.14.2002
RECVL-06			1 21 18 12					P18	54.14.2002
			1 23 3 12					P03	54.14.2002
RECVL-07			1 21 18 14					P18	54.14.2002
			1 23 3 14					P03	54.14.2002
RECVL-08			1 21 18 16					P18	54.14.2002
			1 23 3 16					P03	54.14.2002

 * STUDER REVOK AG * S I G N A L W I R E L I S T * 91/02/19 * 11:24 * P A G E 499 *
 * 1.862.010.00 D820-48 PCM TAPE - RECORDER * 90/03/21 - 00 *

SIGNAL NAME	COLOR	MI	ASY	GRP	ELM	PNT	S	LV	TYPE	DESCRIPTION OF ELEMENT	REMARK	ELEMENT NR.
RECVL-09			1	21	19	2					P19	54.14.2002
			1	23	4	2					P04	54.14.2002
RECVL-10			1	21	19	4					P19	54.14.2002
			1	23	4	4					P04	54.14.2002
RECVL-11			1	21	19	6					P19	54.14.2002
			1	23	4	6					P04	54.14.2002
RECVL-12			1	21	19	8					P19	54.14.2002
			1	23	4	8					P04	54.14.2002
RECVL-13			1	21	19	10					P19	54.14.2002
			1	23	4	10					P04	54.14.2002
RECVL-14			1	21	19	12					P19	54.14.2002
			1	23	4	12					P04	54.14.2002
RECVL-15			1	21	19	14					P19	54.14.2002
			1	23	4	14					P04	54.14.2002
RECVL-16			1	21	19	16					P19	54.14.2002
			1	23	4	16					P04	54.14.2002
RECVL-17			1	21	20	2					P20	54.14.2002
			1	23	5	2					P05	54.14.2002
RECVL-18			1	21	20	4					P20	54.14.2002
			1	23	5	4					P05	54.14.2002
RECVL-19			1	21	20	6					P20	54.14.2002
			1	23	5	6					P05	54.14.2002
RECVL-20			1	21	20	8					P20	54.14.2002
			1	23	5	8					P05	54.14.2002
RECVL-21			1	21	20	10					P20	54.14.2002
			1	23	5	10					P05	54.14.2002
RECVL-22			1	21	20	12					P20	54.14.2002
			1	23	5	12					P05	54.14.2002
RECVL-23			1	21	20	14					P20	54.14.2002
			1	23	5	14					P05	54.14.2002
RECVL-24			1	21	20	16					P20	54.14.2002
			1	23	5	16					P05	54.14.2002
RECVL-25			1	21	21	2					P21	54.14.2002
			1	23	6	2					P06	54.14.2002
RECVL-26			1	21	21	4					P21	54.14.2002
			1	23	6	4					P06	54.14.2002
RECVL-27			1	21	21	6					P21	54.14.2002
			1	23	6	6					P06	54.14.2002

STUDER D820 MCH

 * STUDER REVOX AG * S I G N A L W I R E L I S T * 91/02/19 * 11:24 * P A G E 500 *

 * 1.862.010.00 D820-48 PCM TAPE - RECORDER * 90/03/21 - 00 *

SIGNAL NAME	COLOR	MI	ASY	GRP	ELM	PNT	S	LV	TYPE	DESCRIPTION OF ELEMENT	REMARK	ELEMENT NR.
RECVL-28			1	21	21	8					P21	54.14.2002
			1	23	6	8					P06	54.14.2002
RECVL-29			1	21	21	10					P21	54.14.2002
			1	23	6	10					P06	54.14.2002
RECVL-30			1	21	21	12					P21	54.14.2002
			1	23	6	12					P06	54.14.2002
RECVL-31			1	21	21	14					P21	54.14.2002
			1	23	6	14					P06	54.14.2002
RECVL-32			1	21	21	16					P21	54.14.2002
			1	23	6	16					P06	54.14.2002
RECVL-33			1	21	22	2					P22	54.14.2002
			1	23	7	2					P07	54.14.2002
RECVL-34			1	21	22	4					P22	54.14.2002
			1	23	7	4					P07	54.14.2002
RECVL-35			1	21	22	6					P22	54.14.2002
			1	23	7	6					P07	54.14.2002
RECVL-36			1	21	22	8					P22	54.14.2002
			1	23	7	8					P07	54.14.2002
RECVL-37			1	21	22	10					P22	54.14.2002
			1	23	7	10					P07	54.14.2002
RECVL-38			1	21	22	12					P22	54.14.2002
			1	23	7	12					P07	54.14.2002
RECVL-39			1	21	22	14					P22	54.14.2002
			1	23	7	14					P07	54.14.2002
RECVL-40			1	21	22	16					P22	54.14.2002
			1	23	7	16					P07	54.14.2002
RECVL-41			1	21	23	2					P23	54.14.2002
			1	23	8	2					P08	54.14.2002
RECVL-42			1	21	23	4					P23	54.14.2002
			1	23	8	4					P08	54.14.2002
RECVL-43			1	21	23	6					P23	54.14.2002
			1	23	8	6					P08	54.14.2002
RECVL-44			1	21	23	8					P23	54.14.2002
			1	23	8	8					P08	54.14.2002
RECVL-45			1	21	23	10					P23	54.14.2002
			1	23	8	10					P08	54.14.2002
RECVL-46			1	21	23	12					P23	54.14.2002
			1	23	8	12					P08	54.14.2002

* STUDER REVOK AG * S I G N A L W I R E L I S T * 91/02/19 * 11:24 * P A G E 501 *
 * 1.862.010.00 D820-48 PCM TAPE - RECORDER * 90/03/21 - 00 *

SIGNAL NAME	COLOR	MI	ASY	GRP	ELM	PNT	S	LV	TYPE	DESCRIPTION OF ELEMENT	REMARK	ELEMENT NR.
RECVL-47			1	21	23	14					P23	54.14.2002
			1	23	8	14					P08	54.14.2002
RECVL-48			1	21	23	16					P23	54.14.2002
			1	23	8	16					P08	54.14.2002
REPH-C1			1	15	1	30				HEAD CONNECTOR 1 (JAE) (48 CH)	P01	
			1	15	1A	59				PRINT CONNECTOR 1 (48 CH)	P01	
			1	15	3	1				HEAD CONNECTOR 1 (24 CH)	P01	
			1	15	3A	1				PRINT CONNECTOR 1 (24 CH)	P01	
			2	3	1	30				REPRO HEAD CONNECTOR 1 (48 CH)	P04	
			2	13	1	1				REPRO HEAD CONNECTOR 1 (24 CH)	P04	
REPH-C2			1	15	2	4				HEAD CONNECTOR 2 (JAE) (48 CH)	JO2	
			1	15	2A	7				PRINT CONNECTOR 2 (48 CH)		
			1	15	4	31				HEAD CONNECTOR 2 (24 CH)	P02	
			1	15	4A	31				PRINT CONNECTOR 2 (24 CH)	P02	
			2	3	2	4				REPRO HEAD CONNECTOR 2 (48 CH)	P05	
			2	13	2	31				REPRO HEAD CONNECTOR 2 (24 CH)	P05	
REPH-RT			1	15	2	35				HEAD CONNECTOR 2 (JAE) (48 CH)	JO2	
			1	15	2A	10				PRINT CONNECTOR 2 (48 CH)		
			1	15	4	34				HEAD CONNECTOR 2 (24 CH)	P02	
			1	15	4A	34				PRINT CONNECTOR 2 (24 CH)	P02	
			2	3	2	35				REPRO HEAD CONNECTOR 2 (48 CH)	P05	
			2	13	2	34				REPRO HEAD CONNECTOR 2 (24 CH)	P05	
REPH-TC			1	15	1	53				HEAD CONNECTOR 1 (JAE) (48 CH)	P01	
			1	15	1A	46				PRINT CONNECTOR 1 (48 CH)	P01	
			1	15	3	4				HEAD CONNECTOR 1 (24 CH)	P01	
			1	15	3A	4				PRINT CONNECTOR 1 (24 CH)	P01	
			2	3	1	53				REPRO HEAD CONNECTOR 1 (48 CH)	P04	
			2	13	1	4				REPRO HEAD CONNECTOR 1 (24 CH)	P04	
REPH-01			1	15	1	24				HEAD CONNECTOR 1 (JAE) (48 CH)	P01	
			1	15	1A	47				PRINT CONNECTOR 1 (48 CH)	P01	
			1	15	3	11				HEAD CONNECTOR 1 (24 CH)	P01	
			1	15	3A	11				PRINT CONNECTOR 1 (24 CH)	P01	
			2	3	1	24				REPRO HEAD CONNECTOR 1 (48 CH)	P04	
			2	13	1	11				REPRO HEAD CONNECTOR 1 (24 CH)	P04	
REPH-02			1	15	1	20				HEAD CONNECTOR 1 (JAE) (48 CH)	P01	
			1	15	1A	39				PRINT CONNECTOR 1 (48 CH)	P01	
			1	15	3	15				HEAD CONNECTOR 1 (24 CH)	P01	
			1	15	3A	15				PRINT CONNECTOR 1 (24 CH)	P01	
			2	3	1	20				REPRO HEAD CONNECTOR 1 (48 CH)	P04	
			2	13	1	15				REPRO HEAD CONNECTOR 1 (24 CH)	P04	
REPH-03			1	15	1	16				HEAD CONNECTOR 1 (JAE) (48 CH)	P01	
			1	15	1A	31				PRINT CONNECTOR 1 (48 CH)	P01	
			1	15	3	19				HEAD CONNECTOR 1 (24 CH)	P01	
			1	15	3A	19				PRINT CONNECTOR 1 (24 CH)	P01	
			2	3	1	16				REPRO HEAD CONNECTOR 1 (48 CH)	P04	
			2	13	1	19				REPRO HEAD CONNECTOR 1 (24 CH)	P04	

 * STUDER REVOK AG * S I G N A L W I R E L I S T * 91/02/19 * 11:24 * P A G E 502 *
 * 1.862.010.00 D820-48 PCM TAPE - RECORDER * 90/03/21 - 00 *

SIGNAL NAME	COLOR	MI	ASY	GRP	ELM	PNT	S	LV	TYPE	DESCRIPTION OF ELEMENT	REMARK	ELEMENT NR.
REPH-04			1	15	1	12				HEAD CONNECTOR 1 (JAE) (48 CH)	P01	
			1	15	1A	23				PRINT CONNECTOR 1 (48 CH)	P01	
			1	15	3	23				HEAD CONNECTOR 1 (24 CH)	P01	
			1	15	3A	23				PRINT CONNECTOR 1 (24 CH)	P01	
			2	3	1	12				REPRO HEAD CONNECTOR 1 (48 CH)	P04	
			2	13	1	23				REPRO HEAD CONNECTOR 1 (24 CH)	P04	
REPH-05			1	15	1	8				HEAD CONNECTOR 1 (JAE) (48 CH)	P01	
			1	15	1A	15				PRINT CONNECTOR 1 (48 CH)	P01	
			1	15	3	27				HEAD CONNECTOR 1 (24 CH)	P01	
			1	15	3A	27				PRINT CONNECTOR 1 (24 CH)	P01	
			2	3	1	8				REPRO HEAD CONNECTOR 1 (48 CH)	P04	
			2	13	1	27				REPRO HEAD CONNECTOR 1 (24 CH)	P04	
REPH-06			1	15	1	4				HEAD CONNECTOR 1 (JAE) (48 CH)	P01	
			1	15	1A	7				PRINT CONNECTOR 1 (48 CH)	P01	
			1	15	3	31				HEAD CONNECTOR 1 (24 CH)	P01	
			1	15	3A	31				PRINT CONNECTOR 1 (24 CH)	P01	
			2	3	1	4				REPRO HEAD CONNECTOR 1 (48 CH)	P04	
			2	13	1	31				REPRO HEAD CONNECTOR 1 (24 CH)	P04	
REPH-07			1	15	1	31				HEAD CONNECTOR 1 (JAE) (48 CH)	P01	
			1	15	1A	2				PRINT CONNECTOR 1 (48 CH)	P01	
			1	15	3	34				HEAD CONNECTOR 1 (24 CH)	P01	
			1	15	3A	34				PRINT CONNECTOR 1 (24 CH)	P01	
			2	3	1	31				REPRO HEAD CONNECTOR 1 (48 CH)	P04	
			2	13	1	34				REPRO HEAD CONNECTOR 1 (24 CH)	P04	
REPH-08			1	15	1	35				HEAD CONNECTOR 1 (JAE) (48 CH)	P01	
			1	15	1A	10				PRINT CONNECTOR 1 (48 CH)	P01	
			1	15	3	30				HEAD CONNECTOR 1 (24 CH)	P01	
			1	15	3A	30				PRINT CONNECTOR 1 (24 CH)	P01	
			2	3	1	35				REPRO HEAD CONNECTOR 1 (48 CH)	P04	
			2	13	1	30				REPRO HEAD CONNECTOR 1 (24 CH)	P04	
REPH-09			1	15	1	39				HEAD CONNECTOR 1 (JAE) (48 CH)	P01	
			1	15	1A	18				PRINT CONNECTOR 1 (48 CH)	P01	
			1	15	3	26				HEAD CONNECTOR 1 (24 CH)	P01	
			1	15	3A	26				PRINT CONNECTOR 1 (24 CH)	P01	
			2	3	1	39				REPRO HEAD CONNECTOR 1 (48 CH)	P04	
			2	13	1	26				REPRO HEAD CONNECTOR 1 (24 CH)	P04	
REPH-10			1	15	1	43				HEAD CONNECTOR 1 (JAE) (48 CH)	P01	
			1	15	1A	26				PRINT CONNECTOR 1 (48 CH)	P01	
			1	15	3	22				HEAD CONNECTOR 1 (24 CH)	P01	
			1	15	3A	22				PRINT CONNECTOR 1 (24 CH)	P01	
			2	3	1	43				REPRO HEAD CONNECTOR 1 (48 CH)	P04	
			2	13	1	22				REPRO HEAD CONNECTOR 1 (24 CH)	P04	
REPH-11			1	15	1	47				HEAD CONNECTOR 1 (JAE) (48 CH)	P01	
			1	15	1A	34				PRINT CONNECTOR 1 (48 CH)	P01	
			1	15	3	18				HEAD CONNECTOR 1 (24 CH)	P01	
			1	15	3A	18				PRINT CONNECTOR 1 (24 CH)	P01	
			2	3	1	47				REPRO HEAD CONNECTOR 1 (48 CH)	P04	
			2	13	1	18				REPRO HEAD CONNECTOR 1 (24 CH)	P04	

STUDER D820 MCH

* STUDER REVOX AG * S I G N A L W I R E L I S T * 91/02/19 * 11:24 * P A G E 503 *

 * 1.862.010.00 D820-48 PCM TAPE - RECORDER * 90/03/21 - 00 *

SIGNAL NAME	COLOR	MI	ASY	GRP	ELM	PNT	S	LV	TYPE	DESCRIPTION OF ELEMENT	REMARK	ELEMENT NR.
REPH-12					1	15	1	51		HEAD CONNECTOR 1 (JAE) (48 CH)	P01	
					1	15	1A	42		PRINT CONNECTOR 1 (48 CH)		
					1	15	3	14		HEAD CONNECTOR 1 (24 CH)	P01	
					1	15	3A	14		PRINT CONNECTOR 1 (24 CH)		
					2	3	1	51		REPRO HEAD CONNECTOR 1 (48 CH)	P04	
REPH-13					1	15	2	37		HEAD CONNECTOR 2 (JAE) (48 CH)	J02	
					1	15	2A	14		PRINT CONNECTOR 2 (48 CH)		
					1	15	4	24		HEAD CONNECTOR 2 (24 CH)	P02	
					1	15	4A	24		PRINT CONNECTOR 2 (24 CH)		
					2	3	2	37		REPRO HEAD CONNECTOR 2 (48 CH)	P05	
REPH-14					1	15	2	41		HEAD CONNECTOR 2 (JAE) (48 CH)	J02	
					1	15	2A	22		PRINT CONNECTOR 2 (48 CH)		
					1	15	4	20		HEAD CONNECTOR 2 (24 CH)	P02	
					1	15	4A	20		PRINT CONNECTOR 2 (24 CH)		
					2	3	2	41		REPRO HEAD CONNECTOR 2 (48 CH)	P05	
REPH-15					1	15	2	45		HEAD CONNECTOR 2 (JAE) (48 CH)	J02	
					1	15	2A	30		PRINT CONNECTOR 2 (48 CH)		
					1	15	4	16		HEAD CONNECTOR 2 (24 CH)	P02	
					1	15	4A	16		PRINT CONNECTOR 2 (24 CH)		
					2	3	2	45		REPRO HEAD CONNECTOR 2 (48 CH)	P05	
REPH-16					1	15	2	49		HEAD CONNECTOR 2 (JAE) (48 CH)	J02	
					1	15	2A	38		PRINT CONNECTOR 2 (48 CH)		
					1	15	4	12		HEAD CONNECTOR 2 (24 CH)	P02	
					1	15	4A	12		PRINT CONNECTOR 2 (24 CH)		
					2	3	2	49		REPRO HEAD CONNECTOR 2 (48 CH)	P05	
REPH-17					1	15	2	53		HEAD CONNECTOR 2 (JAE) (48 CH)	J02	
					1	15	2A	46		PRINT CONNECTOR 2 (48 CH)		
					1	15	4	8		HEAD CONNECTOR 2 (24 CH)	P02	
					1	15	4A	8		PRINT CONNECTOR 2 (24 CH)		
					2	3	2	53		REPRO HEAD CONNECTOR 2 (48 CH)	P05	
REPH-18					1	15	2	57		HEAD CONNECTOR 2 (JAE) (48 CH)	J02	
					1	15	2A	54		PRINT CONNECTOR 2 (48 CH)		
					1	15	4	4		HEAD CONNECTOR 2 (24 CH)	P02	
					1	15	4A	4		PRINT CONNECTOR 2 (24 CH)		
					2	3	2	57		REPRO HEAD CONNECTOR 2 (48 CH)	P05	
REPH-19					1	15	2	30		HEAD CONNECTOR 2 (JAE) (48 CH)	J02	
					1	15	2A	59		PRINT CONNECTOR 2 (48 CH)		
					1	15	4	1		HEAD CONNECTOR 2 (24 CH)	P02	
					1	15	4A	1		PRINT CONNECTOR 2 (24 CH)		
					2	3	2	30		REPRO HEAD CONNECTOR 2 (48 CH)	P05	

 * STUDER REVOX AG * S I G N A L W I R E L I S T * 91/02/19 * 11:24 * P A G E 504 *

 * 1.862.010.00 D820-48 PCM TAPE - RECORDER * 90/03/21 - 00 *

SIGNAL NAME	COLOR	MI	ASY	GRP	ELM	PNT	S	LV	TYPE	DESCRIPTION OF ELEMENT	REMARK	ELEMENT NR.
REPH-20					1	15	2	26		HEAD CONNECTOR 2 (JAE) (48 CH)	J02	
					1	15	2A	51		PRINT CONNECTOR 2 (48 CH)		
					1	15	4	5		HEAD CONNECTOR 2 (24 CH)	P02	
					1	15	4A	5		PRINT CONNECTOR 2 (24 CH)		
					2	3	2	26		REPRO HEAD CONNECTOR 2 (48 CH)	P05	
REPH-21					1	15	2	22		HEAD CONNECTOR 2 (JAE) (48 CH)	J02	
					1	15	2A	43		PRINT CONNECTOR 2 (48 CH)		
					1	15	4	9		HEAD CONNECTOR 2 (24 CH)	P02	
					1	15	4A	9		PRINT CONNECTOR 2 (24 CH)		
					2	3	2	22		REPRO HEAD CONNECTOR 2 (48 CH)	P05	
REPH-22					1	15	2	18		HEAD CONNECTOR 2 (JAE) (48 CH)	J02	
					1	15	2A	35		PRINT CONNECTOR 2 (48 CH)		
					1	15	4	13		HEAD CONNECTOR 2 (24 CH)	P02	
					1	15	4A	13		PRINT CONNECTOR 2 (24 CH)		
					2	3	2	18		REPRO HEAD CONNECTOR 2 (48 CH)	P05	
REPH-23					1	15	2	14		HEAD CONNECTOR 2 (JAE) (48 CH)	J02	
					1	15	2A	27		PRINT CONNECTOR 2 (48 CH)		
					1	15	4	17		HEAD CONNECTOR 2 (24 CH)	P02	
					1	15	4A	17		PRINT CONNECTOR 2 (24 CH)		
					2	3	2	14		REPRO HEAD CONNECTOR 2 (48 CH)	P05	
REPH-24					1	15	2	10		HEAD CONNECTOR 2 (JAE) (48 CH)	J02	
					1	15	2A	19		PRINT CONNECTOR 2 (48 CH)		
					1	15	4	21		HEAD CONNECTOR 2 (24 CH)	P02	
					1	15	4A	21		PRINT CONNECTOR 2 (24 CH)		
					2	3	2	10		REPRO HEAD CONNECTOR 2 (48 CH)	P05	
REPH-25					1	15	1	26		HEAD CONNECTOR 1 (JAE) (48 CH)	P01	
					1	15	1A	51		PRINT CONNECTOR 1 (48 CH)		
					2	3	1	26		REPRO HEAD CONNECTOR 1 (48 CH)	P04	
REPH-26					1	15	1	22		HEAD CONNECTOR 1 (JAE) (48 CH)	P01	
					1	15	1A	43		PRINT CONNECTOR 1 (48 CH)		
					2	3	1	22		REPRO HEAD CONNECTOR 1 (48 CH)	P04	
REPH-27					1	15	1	18		HEAD CONNECTOR 1 (JAE) (48 CH)	P01	
					1	15	1A	35		PRINT CONNECTOR 1 (48 CH)		
					2	3	1	18		REPRO HEAD CONNECTOR 1 (48 CH)	P04	
REPH-28					1	15	1	14		HEAD CONNECTOR 1 (JAE) (48 CH)	P01	
					1	15	1A	27		PRINT CONNECTOR 1 (48 CH)		
					2	3	1	14		REPRO HEAD CONNECTOR 1 (48 CH)	P04	
REPH-29					1	15	1	10		HEAD CONNECTOR 1 (JAE) (48 CH)	P01	
					1	15	1A	19		PRINT CONNECTOR 1 (48 CH)		
					2	3	1	10		REPRO HEAD CONNECTOR 1 (48 CH)	P04	

* STUDER REVOX AG * S I G N A L W I R E L I S T * 91/02/19 * 11:24 * P A G E 505 *

 * 1.862.010.00 D820-48 PCM TAPE - RECORDER * 90/03/21 - 00 *

SIGNAL NAME	COLOR	MI	ASY	GRP	ELM	PNT	S	LV	TYPE	DESCRIPTION OF ELEMENT	REMARK	ELEMENT NR.
REPH-30			1	15	1	6				HEAD CONNECTOR 1 (JAE) (48 CH)	P01	
			1	15	1A	11				PRINT CONNECTOR 1 (48 CH)		
			2	3	1	6				REPRO HEAD CONNECTOR 1 (48 CH)	P04	
REPH-31			1	15	1	2				HEAD CONNECTOR 1 (JAE) (48 CH)	P01	
			1	15	1A	3				PRINT CONNECTOR 1 (48 CH)		
			2	3	1	2				REPRO HEAD CONNECTOR 1 (48 CH)	P04	
REPH-32			1	15	1	33				HEAD CONNECTOR 1 (JAE) (48 CH)	P01	
			1	15	1A	6				PRINT CONNECTOR 1 (48 CH)		
			2	3	1	33				REPRO HEAD CONNECTOR 1 (48 CH)	P04	
REPH-33			1	15	1	37				HEAD CONNECTOR 1 (JAE) (48 CH)	P01	
			1	15	1A	14				PRINT CONNECTOR 1 (48 CH)		
			2	3	1	37				REPRO HEAD CONNECTOR 1 (48 CH)	P04	
REPH-34			1	15	1	41				HEAD CONNECTOR 1 (JAE) (48 CH)	P01	
			1	15	1A	22				PRINT CONNECTOR 1 (48 CH)		
			2	3	1	41				REPRO HEAD CONNECTOR 1 (48 CH)	P04	
REPH-35			1	15	1	45				HEAD CONNECTOR 1 (JAE) (48 CH)	P01	
			1	15	1A	30				PRINT CONNECTOR 1 (48 CH)		
			2	3	1	45				REPRO HEAD CONNECTOR 1 (48 CH)	P04	
REPH-36			1	15	1	49				HEAD CONNECTOR 1 (JAE) (48 CH)	P01	
			1	15	1A	38				PRINT CONNECTOR 1 (48 CH)		
			2	3	1	49				REPRO HEAD CONNECTOR 1 (48 CH)	P04	
REPH-37			1	15	2	39				HEAD CONNECTOR 2 (JAE) (48 CH)	J02	
			1	15	2A	18				PRINT CONNECTOR 2 (48 CH)		
			2	3	2	39				REPRO HEAD CONNECTOR 2 (48 CH)	P05	
REPH-38			1	15	2	43				HEAD CONNECTOR 2 (JAE) (48 CH)	J02	
			1	15	2A	26				PRINT CONNECTOR 2 (48 CH)		
			2	3	2	43				REPRO HEAD CONNECTOR 2 (48 CH)	P05	
REPH-39			1	15	2	47				HEAD CONNECTOR 2 (JAE) (48 CH)	J02	
			1	15	2A	34				PRINT CONNECTOR 2 (48 CH)		
			2	3	2	47				REPRO HEAD CONNECTOR 2 (48 CH)	P05	
REPH-40			1	15	2	51				HEAD CONNECTOR 2 (JAE) (48 CH)	J02	
			1	15	2A	42				PRINT CONNECTOR 2 (48 CH)		
			2	3	2	51				REPRO HEAD CONNECTOR 2 (48 CH)	P05	
REPH-41			1	15	2	55				HEAD CONNECTOR 2 (JAE) (48 CH)	J02	
			1	15	2A	50				PRINT CONNECTOR 2 (48 CH)		
			2	3	2	55				REPRO HEAD CONNECTOR 2 (48 CH)	P05	
REPH-42			1	15	2	59				HEAD CONNECTOR 2 (JAE) (48 CH)	J02	
			1	15	2A	58				PRINT CONNECTOR 2 (48 CH)		
			2	3	2	59				REPRO HEAD CONNECTOR 2 (48 CH)	P05	
REPH-43			1	15	2	28				HEAD CONNECTOR 2 (JAE) (48 CH)	J02	
			1	15	2A	55				PRINT CONNECTOR 2 (48 CH)		
			2	3	2	28				REPRO HEAD CONNECTOR 2 (48 CH)	P05	

 * STUDER REVOX AG * S I G N A L W I R E L I S T * 91/02/19 * 11:24 * P A G E 506 *

 * 1.862.010.00 D820-48 PCM TAPE - RECORDER * 90/03/21 - 00 *

SIGNAL NAME	COLOR	MI	ASY	GRP	ELM	PNT	S	LV	TYPE	DESCRIPTION OF ELEMENT	REMARK	ELEMENT NR.
REPH-44			1	15	2	24				HEAD CONNECTOR 2 (JAE) (48 CH)	J02	
			1	15	2A	47				PRINT CONNECTOR 2 (48 CH)		
			2	3	2	24				REPRO HEAD CONNECTOR 2 (48 CH)	P05	
REPH-45			1	15	2	20				HEAD CONNECTOR 2 (JAE) (48 CH)	J02	
			1	15	2A	39				PRINT CONNECTOR 2 (48 CH)		
			2	3	2	20				REPRO HEAD CONNECTOR 2 (48 CH)	P05	
REPH-46			1	15	2	16				HEAD CONNECTOR 2 (JAE) (48 CH)	J02	
			1	15	2A	31				PRINT CONNECTOR 2 (48 CH)		
			2	3	2	16				REPRO HEAD CONNECTOR 2 (48 CH)	P05	
REPH-47			1	15	2	12				HEAD CONNECTOR 2 (JAE) (48 CH)	J02	
			1	15	2A	23				PRINT CONNECTOR 2 (48 CH)		
			2	3	2	12				REPRO HEAD CONNECTOR 2 (48 CH)	P05	
REPH-48			1	15	2	8				HEAD CONNECTOR 2 (JAE) (48 CH)	J02	
			1	15	2A	15				PRINT CONNECTOR 2 (48 CH)		
			2	3	2	8				REPRO HEAD CONNECTOR 2 (48 CH)	P05	
REPL-C1			1	15	1	29				HEAD CONNECTOR 1 (JAE) (48 CH)	P01	
			1	15	1A	57				PRINT CONNECTOR 1 (48 CH)		
			1	15	3	3				HEAD CONNECTOR 1 (24 CH)	P01	
			1	15	3A	3				PRINT CONNECTOR 1 (24 CH)		
			2	3	1	29				REPRO HEAD CONNECTOR 1 (48 CH)	P04	
REPL-C2			1	15	2	3				HEAD CONNECTOR 2 (JAE) (48 CH)	J02	
			1	15	2A	5				PRINT CONNECTOR 2 (48 CH)		
			1	15	4	33				HEAD CONNECTOR 2 (24 CH)	P02	
			1	15	4A	33				PRINT CONNECTOR 2 (24 CH)		
			2	3	2	3				REPRO HEAD CONNECTOR 2 (48 CH)	P05	
REPL-RT			1	15	2	36				HEAD CONNECTOR 2 (JAE) (48 CH)	J02	
			1	15	2A	12				PRINT CONNECTOR 2 (48 CH)		
			1	15	4	32				HEAD CONNECTOR 2 (24 CH)	P02	
			1	15	4A	32				PRINT CONNECTOR 2 (24 CH)		
			2	3	2	36				REPRO HEAD CONNECTOR 2 (48 CH)	P05	
REPL-TC			1	15	1	54				HEAD CONNECTOR 1 (JAE) (48 CH)	P01	
			1	15	1A	48				PRINT CONNECTOR 1 (48 CH)		
			1	15	3	2				HEAD CONNECTOR 1 (24 CH)	P01	
			1	15	3A	2				PRINT CONNECTOR 1 (24 CH)		
			2	3	1	54				REPRO HEAD CONNECTOR 1 (48 CH)	P04	
REPL-01			1	15	1	23				HEAD CONNECTOR 1 (JAE) (48 CH)	P01	
			1	15	1A	45				PRINT CONNECTOR 1 (48 CH)		
			1	15	3	13				HEAD CONNECTOR 1 (24 CH)	P01	
			1	15	3A	13				PRINT CONNECTOR 1 (24 CH)		
			2	3	1	23				REPRO HEAD CONNECTOR 1 (48 CH)	P04	

STUDER D820 MCH

 * STUDER REVOX AG * S I G N A L W I R E L I S T * 91/02/19 * 11:24 * P A G E 507 *

 * 1.862.010.00 D820-48 PCM TAPE - RECORDER * 90/03/21 - 00 *

SIGNAL NAME	COLOR	MI	ASY GRP	ELM PNT	S LV	TYPE	DESCRIPTION OF ELEMENT	REMARK	ELEMENT NR.	
REPL-02			1 15	1 19	S	LV	HEAD CONNECTOR 1 (JAE) (48 CH)	P01		
				1A 37			PRINT CONNECTOR 1 (48 CH)			
				3 17			HEAD CONNECTOR 1 (24 CH)			P01
				3A 17			PRINT CONNECTOR 1 (24 CH)			
				3 1 19			REPRO HEAD CONNECTOR 1 (48 CH)			P04
				13 1 17			REPRO HEAD CONNECTOR 1 (24 CH)			P04
REPL-03			1 15	1 15	S	LV	HEAD CONNECTOR 1 (JAE) (48 CH)	P01		
				1A 29			PRINT CONNECTOR 1 (48 CH)			
				3 21			HEAD CONNECTOR 1 (24 CH)			P01
				3A 21			PRINT CONNECTOR 1 (24 CH)			
				3 1 15			REPRO HEAD CONNECTOR 1 (48 CH)			P04
				13 1 21			REPRO HEAD CONNECTOR 1 (24 CH)			P04
REPL-04			1 15	1 11	S	LV	HEAD CONNECTOR 1 (JAE) (48 CH)	P01		
				1A 21			PRINT CONNECTOR 1 (48 CH)			
				3 25			HEAD CONNECTOR 1 (24 CH)			P01
				3A 25			PRINT CONNECTOR 1 (24 CH)			
				3 1 11			REPRO HEAD CONNECTOR 1 (48 CH)			P04
				13 1 25			REPRO HEAD CONNECTOR 1 (24 CH)			P04
REPL-05			1 15	1 7	S	LV	HEAD CONNECTOR 1 (JAE) (48 CH)	P01		
				1A 13			PRINT CONNECTOR 1 (48 CH)			
				3 29			HEAD CONNECTOR 1 (24 CH)			P01
				3A 29			PRINT CONNECTOR 1 (24 CH)			
				3 1 7			REPRO HEAD CONNECTOR 1 (48 CH)			P04
				13 1 29			REPRO HEAD CONNECTOR 1 (24 CH)			P04
REPL-06			1 15	1 3	S	LV	HEAD CONNECTOR 1 (JAE) (48 CH)	P01		
				1A 5			PRINT CONNECTOR 1 (48 CH)			
				3 33			HEAD CONNECTOR 1 (24 CH)			P01
				3A 33			PRINT CONNECTOR 1 (24 CH)			
				3 1 3			REPRO HEAD CONNECTOR 1 (48 CH)			P04
				13 1 33			REPRO HEAD CONNECTOR 1 (24 CH)			P04
REPL-07			1 15	1 32	S	LV	HEAD CONNECTOR 1 (JAE) (48 CH)	P01		
				1A 4			PRINT CONNECTOR 1 (48 CH)			
				3 32			HEAD CONNECTOR 1 (24 CH)			P01
				3A 32			PRINT CONNECTOR 1 (24 CH)			
				3 1 32			REPRO HEAD CONNECTOR 1 (48 CH)			P04
				13 1 32			REPRO HEAD CONNECTOR 1 (24 CH)			P04
REPL-08			1 15	1 36	S	LV	HEAD CONNECTOR 1 (JAE) (48 CH)	P01		
				1A 12			PRINT CONNECTOR 1 (48 CH)			
				3 28			HEAD CONNECTOR 1 (24 CH)			P01
				3A 28			PRINT CONNECTOR 1 (24 CH)			
				3 1 36			REPRO HEAD CONNECTOR 1 (48 CH)			P04
				13 1 28			REPRO HEAD CONNECTOR 1 (24 CH)			P04
REPL-09			1 15	1 40	S	LV	HEAD CONNECTOR 1 (JAE) (48 CH)	P01		
				1A 20			PRINT CONNECTOR 1 (48 CH)			
				3 24			HEAD CONNECTOR 1 (24 CH)			P01
				3A 24			PRINT CONNECTOR 1 (24 CH)			
				3 1 40			REPRO HEAD CONNECTOR 1 (48 CH)			P04
				13 1 24			REPRO HEAD CONNECTOR 1 (24 CH)			P04

 * STUDER REVOX AG * S I G N A L W I R E L I S T * 91/02/19 * 11:24 * P A G E 508 *

 * 1.862.010.00 D820-48 PCM TAPE - RECORDER * 90/03/21 - 00 *

SIGNAL NAME	COLOR	MI	ASY GRP	ELM PNT	S LV	TYPE	DESCRIPTION OF ELEMENT	REMARK	ELEMENT NR.	
REPL-10			1 15	1 44	S	LV	HEAD CONNECTOR 1 (JAE) (48 CH)	P01		
				1A 28			PRINT CONNECTOR 1 (48 CH)			
				3 20			HEAD CONNECTOR 1 (24 CH)			P01
				3A 20			PRINT CONNECTOR 1 (24 CH)			
				3 1 44			REPRO HEAD CONNECTOR 1 (48 CH)			P04
				13 1 20			REPRO HEAD CONNECTOR 1 (24 CH)			P04
REPL-11			1 15	1 48	S	LV	HEAD CONNECTOR 1 (JAE) (48 CH)	P01		
				1A 36			PRINT CONNECTOR 1 (48 CH)			
				3 16			HEAD CONNECTOR 1 (24 CH)			P01
				3A 16			PRINT CONNECTOR 1 (24 CH)			
				3 1 48			REPRO HEAD CONNECTOR 1 (48 CH)			P04
				13 1 16			REPRO HEAD CONNECTOR 1 (24 CH)			P04
REPL-12			1 15	1 52	S	LV	HEAD CONNECTOR 1 (JAE) (48 CH)	P01		
				1A 44			PRINT CONNECTOR 1 (48 CH)			
				3 12			HEAD CONNECTOR 1 (24 CH)			P01
				3A 12			PRINT CONNECTOR 1 (24 CH)			
				3 1 52			REPRO HEAD CONNECTOR 1 (48 CH)			P04
				13 1 12			REPRO HEAD CONNECTOR 1 (24 CH)			P04
REPL-13			1 15	2 38	S	LV	HEAD CONNECTOR 2 (JAE) (48 CH)	J02		
				2A 16			PRINT CONNECTOR 2 (48 CH)			
				4 22			HEAD CONNECTOR 2 (24 CH)			P02
				4A 22			PRINT CONNECTOR 2 (24 CH)			
				3 2 38			REPRO HEAD CONNECTOR 2 (48 CH)			P05
				13 2 22			REPRO HEAD CONNECTOR 2 (24 CH)			P05
REPL-14			1 15	2 42	S	LV	HEAD CONNECTOR 2 (JAE) (48 CH)	J02		
				2A 24			PRINT CONNECTOR 2 (48 CH)			
				4 18			HEAD CONNECTOR 2 (24 CH)			P02
				4A 18			PRINT CONNECTOR 2 (24 CH)			
				3 2 42			REPRO HEAD CONNECTOR 2 (48 CH)			P05
				13 2 18			REPRO HEAD CONNECTOR 2 (24 CH)			P05
REPL-15			1 15	2 46	S	LV	HEAD CONNECTOR 2 (JAE) (48 CH)	J02		
				2A 32			PRINT CONNECTOR 2 (48 CH)			
				4 14			HEAD CONNECTOR 2 (24 CH)			P02
				4A 14			PRINT CONNECTOR 2 (24 CH)			
				3 2 46			REPRO HEAD CONNECTOR 2 (48 CH)			P05
				13 2 14			REPRO HEAD CONNECTOR 2 (24 CH)			P05
REPL-16			1 15	2 50	S	LV	HEAD CONNECTOR 2 (JAE) (48 CH)	J02		
				2A 40			PRINT CONNECTOR 2 (48 CH)			
				4 10			HEAD CONNECTOR 2 (24 CH)			P02
				4A 10			PRINT CONNECTOR 2 (24 CH)			
				3 2 50			REPRO HEAD CONNECTOR 2 (48 CH)			P05
				13 2 10			REPRO HEAD CONNECTOR 2 (24 CH)			P05
REPL-17			1 15	2 54	S	LV	HEAD CONNECTOR 2 (JAE) (48 CH)	J02		
				2A 48			PRINT CONNECTOR 2 (48 CH)			
				4 6			HEAD CONNECTOR 2 (24 CH)			P02
				4A 6			PRINT CONNECTOR 2 (24 CH)			
				3 2 54			REPRO HEAD CONNECTOR 2 (48 CH)			P05
				13 2 6			REPRO HEAD CONNECTOR 2 (24 CH)			P05

 * STUDER REVOX AG * S I G N A L W I R E L I S T * 91/02/19 * 11:24 * P A G E 509 *

 * 1.862.010.00 D820-48 PCM TAPE - RECORDER * 90/03/21 - 00 *

SIGNAL NAME	COLOR	MI	ASY	GRP	ELM	PNT	S	LV	TYPE	DESCRIPTION OF ELEMENT	REMARK	ELEMENT NR.
REPL-18			1	15	2	58				HEAD CONNECTOR 2 (JAE) (48 CH)	J02	
			1	15	2A	56				PRINT CONNECTOR 2 (48 CH)		
			1	15	4	2				HEAD CONNECTOR 2 (24 CH)	P02	
			1	15	4A	2				PRINT CONNECTOR 2 (24 CH)		
			2	3	2	58				REPRO HEAD CONNECTOR 2 (48 CH)	P05	
			2	13	2	2				REPRO HEAD CONNECTOR 2 (24 CH)	P05	
REPL-19			1	15	2	29				HEAD CONNECTOR 2 (JAE) (48 CH)	J02	
			1	15	2A	57				PRINT CONNECTOR 2 (48 CH)		
			1	15	4	3				HEAD CONNECTOR 2 (24 CH)	P02	
			1	15	4A	3				PRINT CONNECTOR 2 (24 CH)		
			2	3	2	29				REPRO HEAD CONNECTOR 2 (48 CH)	P05	
			2	13	2	3				REPRO HEAD CONNECTOR 2 (24 CH)	P05	
REPL-20			1	15	2	25				HEAD CONNECTOR 2 (JAE) (48 CH)	J02	
			1	15	2A	49				PRINT CONNECTOR 2 (48 CH)		
			1	15	4	7				HEAD CONNECTOR 2 (24 CH)	P02	
			1	15	4A	7				PRINT CONNECTOR 2 (24 CH)		
			2	3	2	25				REPRO HEAD CONNECTOR 2 (48 CH)	P05	
			2	13	2	7				REPRO HEAD CONNECTOR 2 (24 CH)	P05	
REPL-21			1	15	2	21				HEAD CONNECTOR 2 (JAE) (48 CH)	J02	
			1	15	2A	41				PRINT CONNECTOR 2 (48 CH)		
			1	15	4	11				HEAD CONNECTOR 2 (24 CH)	P02	
			1	15	4A	11				PRINT CONNECTOR 2 (24 CH)		
			2	3	2	21				REPRO HEAD CONNECTOR 2 (48 CH)	P05	
			2	13	2	11				REPRO HEAD CONNECTOR 2 (24 CH)	P05	
REPL-22			1	15	2	17				HEAD CONNECTOR 2 (JAE) (48 CH)	J02	
			1	15	2A	33				PRINT CONNECTOR 2 (48 CH)		
			1	15	4	15				HEAD CONNECTOR 2 (24 CH)	P02	
			1	15	4A	15				PRINT CONNECTOR 2 (24 CH)		
			2	3	2	17				REPRO HEAD CONNECTOR 2 (48 CH)	P05	
			2	13	2	15				REPRO HEAD CONNECTOR 2 (24 CH)	P05	
REPL-23			1	15	2	13				HEAD CONNECTOR 2 (JAE) (48 CH)	J02	
			1	15	2A	25				PRINT CONNECTOR 2 (48 CH)		
			1	15	4	19				HEAD CONNECTOR 2 (24 CH)	P02	
			1	15	4A	19				PRINT CONNECTOR 2 (24 CH)		
			2	3	2	13				REPRO HEAD CONNECTOR 2 (48 CH)	P05	
			2	13	2	19				REPRO HEAD CONNECTOR 2 (24 CH)	P05	
REPL-24			1	15	2	9				HEAD CONNECTOR 2 (JAE) (48 CH)	J02	
			1	15	2A	17				PRINT CONNECTOR 2 (48 CH)		
			1	15	4	23				HEAD CONNECTOR 2 (24 CH)	P02	
			1	15	4A	23				PRINT CONNECTOR 2 (24 CH)		
			2	3	2	9				REPRO HEAD CONNECTOR 2 (48 CH)	P05	
			2	13	2	23				REPRO HEAD CONNECTOR 2 (24 CH)	P05	
REPL-25			1	15	1	25				HEAD CONNECTOR 1 (JAE) (48 CH)	P01	
			1	15	1A	49				PRINT CONNECTOR 1 (48 CH)		
			2	3	1	25				REPRO HEAD CONNECTOR 1 (48 CH)	P04	
REPL-26			1	15	1	21				HEAD CONNECTOR 1 (JAE) (48 CH)	P01	
			1	15	1A	41				PRINT CONNECTOR 1 (48 CH)		
			2	3	1	21				REPRO HEAD CONNECTOR 1 (48 CH)	P04	

 * STUDER REVOX AG * S I G N A L W I R E L I S T * 91/02/19 * 11:24 * P A G E 510 *

 * 1.862.010.00 D820-48 PCM TAPE - RECORDER * 90/03/21 - 00 *

SIGNAL NAME	COLOR	MI	ASY	GRP	ELM	PNT	S	LV	TYPE	DESCRIPTION OF ELEMENT	REMARK	ELEMENT NR.
REPL-27			1	15	1	17				HEAD CONNECTOR 1 (JAE) (48 CH)	P01	
			1	15	1A	33				PRINT CONNECTOR 1 (48 CH)		
			2	3	1	17				REPRO HEAD CONNECTOR 1 (48 CH)	P04	
REPL-28			1	15	1	13				HEAD CONNECTOR 1 (JAE) (48 CH)	P01	
			1	15	1A	25				PRINT CONNECTOR 1 (48 CH)		
			2	3	1	13				REPRO HEAD CONNECTOR 1 (48 CH)	P04	
REPL-29			1	15	1	9				HEAD CONNECTOR 1 (JAE) (48 CH)	P01	
			1	15	1A	17				PRINT CONNECTOR 1 (48 CH)		
			2	3	1	9				REPRO HEAD CONNECTOR 1 (48 CH)	P04	
REPL-30			1	15	1	5				HEAD CONNECTOR 1 (JAE) (48 CH)	P01	
			1	15	1A	9				PRINT CONNECTOR 1 (48 CH)		
			2	3	1	5				REPRO HEAD CONNECTOR 1 (48 CH)	P04	
REPL-31			1	15	1	1				HEAD CONNECTOR 1 (JAE) (48 CH)	P01	
			1	15	1A	1				PRINT CONNECTOR 1 (48 CH)		
			2	3	1	1				REPRO HEAD CONNECTOR 1 (48 CH)	P04	
REPL-32			1	15	1	34				HEAD CONNECTOR 1 (JAE) (48 CH)	P01	
			1	15	1A	8				PRINT CONNECTOR 1 (48 CH)		
			2	3	1	34				REPRO HEAD CONNECTOR 1 (48 CH)	P04	
REPL-33			1	15	1	38				HEAD CONNECTOR 1 (JAE) (48 CH)	P01	
			1	15	1A	16				PRINT CONNECTOR 1 (48 CH)		
			2	3	1	38				REPRO HEAD CONNECTOR 1 (48 CH)	P04	
REPL-34			1	15	1	42				HEAD CONNECTOR 1 (JAE) (48 CH)	P01	
			1	15	1A	24				PRINT CONNECTOR 1 (48 CH)		
			2	3	1	42				REPRO HEAD CONNECTOR 1 (48 CH)	P04	
REPL-35			1	15	1	46				HEAD CONNECTOR 1 (JAE) (48 CH)	P01	
			1	15	1A	32				PRINT CONNECTOR 1 (48 CH)		
			2	3	1	46				REPRO HEAD CONNECTOR 1 (48 CH)	P04	
REPL-36			1	15	1	50				HEAD CONNECTOR 1 (JAE) (48 CH)	P01	
			1	15	1A	40				PRINT CONNECTOR 1 (48 CH)		
			2	3	1	50				REPRO HEAD CONNECTOR 1 (48 CH)	P04	
REPL-37			1	15	2	40				HEAD CONNECTOR 2 (JAE) (48 CH)	J02	
			1	15	2A	20				PRINT CONNECTOR 2 (48 CH)		
			2	3	2	40				REPRO HEAD CONNECTOR 2 (48 CH)	P05	
REPL-38			1	15	2	44				HEAD CONNECTOR 2 (JAE) (48 CH)	J02	
			1	15	2A	28				PRINT CONNECTOR 2 (48 CH)		
			2	3	2	44				REPRO HEAD CONNECTOR 2 (48 CH)	P05	
REPL-39			1	15	2	48				HEAD CONNECTOR 2 (JAE) (48 CH)	J02	
			1	15	2A	36				PRINT CONNECTOR 2 (48 CH)		
			2	3	2	48				REPRO HEAD CONNECTOR 2 (48 CH)	P05	
REPL-40			1	15	2	52				HEAD CONNECTOR 2 (JAE) (48 CH)	J02	
			1	15	2A	44				PRINT CONNECTOR 2 (48 CH)		
			2	3	2	52				REPRO HEAD CONNECTOR 2 (48 CH)	P05	

STUDER D820 MCH

* STUDER REVUX AG * SIGNAL WIRE LIST * 91/02/19 * 11:24 * PAGE 511 *

* 1.862.010.00 D820-48 PCM TAPE - RECORDER * 90/03/21 - 00 *

SIGNAL NAME	COLOR	MI	ASY	GRP	ELM	PNT	S	LV	TYPE	DESCRIPTION OF ELEMENT	REMARK	ELEMENT NR.
REPL-41			1	15	2	56				HEAD CONNECTOR 2 (JAE) (48 CH)	J02	
			1	15	2A	52				PRINT CONNECTOR 2 (48 CH)		
			2	3	2	56				REPRO HEAD CONNECTOR 2 (48 CH)	P05	
REPL-42			1	15	2	60				HEAD CONNECTOR 2 (JAE) (48 CH)	J02	
			1	15	2A	60				PRINT CONNECTOR 2 (48 CH)		
			2	3	2	60				REPRO HEAD CONNECTOR 2 (48 CH)	P05	
REPL-43			1	15	2	27				HEAD CONNECTOR 2 (JAE) (48 CH)	J02	
			1	15	2A	53				PRINT CONNECTOR 2 (48 CH)		
			2	3	2	27				REPRO HEAD CONNECTOR 2 (48 CH)	P05	
REPL-44			1	15	2	23				HEAD CONNECTOR 2 (JAE) (48 CH)	J02	
			1	15	2A	45				PRINT CONNECTOR 2 (48 CH)		
			2	3	2	23				REPRO HEAD CONNECTOR 2 (48 CH)	P05	
REPL-45			1	15	2	19				HEAD CONNECTOR 2 (JAE) (48 CH)	J02	
			1	15	2A	37				PRINT CONNECTOR 2 (48 CH)		
			2	3	2	19				REPRO HEAD CONNECTOR 2 (48 CH)	P05	
REPL-46			1	15	2	15				HEAD CONNECTOR 2 (JAE) (48 CH)	J02	
			1	15	2A	29				PRINT CONNECTOR 2 (48 CH)		
			2	3	2	15				REPRO HEAD CONNECTOR 2 (48 CH)	P05	
REPL-47			1	15	2	11				HEAD CONNECTOR 2 (JAE) (48 CH)	J02	
			1	15	2A	21				PRINT CONNECTOR 2 (48 CH)		
			2	3	2	11				REPRO HEAD CONNECTOR 2 (48 CH)	P05	
REPL-48			1	15	2	7				HEAD CONNECTOR 2 (JAE) (48 CH)	J02	
			1	15	2A	13				PRINT CONNECTOR 2 (48 CH)		
			2	3	2	7				REPRO HEAD CONNECTOR 2 (48 CH)	P05	
REPRG-C1			1	10	8	1A				READ UNIT CUE TRACKS	J08	1.862.723.00
			1	10	17	9				INPUT AUX TRACKS	P17	54.14.2001
			1	15	17	9				OUTPUT AUX TRACKS	P17	54.14.2001
REPRG-C2			1	10	8	2A				READ UNIT CUE TRACKS	J08	1.862.723.00
			1	10	17	7				INPUT AUX TRACKS	P17	54.14.2001
			1	15	17	7				OUTPUT AUX TRACKS	P17	54.14.2001
REPRG-RT			1	10	7	1A				READ UNIT RT/TC	J07	1.862.722.00
			1	10	17	3				INPUT AUX TRACKS	P17	54.14.2001
			1	15	17	3				OUTPUT AUX TRACKS	P17	54.14.2001
REPRG-TC			1	10	7	2A				READ UNIT RT/TC	J07	1.862.722.00
			1	10	17	1				INPUT AUX TRACKS	P17	54.14.2001
			1	15	17	1				OUTPUT AUX TRACKS	P17	54.14.2001
REPRG-01			1	10	1	1B				EQUALIZER CH 1 TO CH 8	J01	1.862.721.00
			1	10	11	1				INPUT EQUALIZER CH 1 TO CH 8	P11	54.14.2002
			1	15	11	1				OUTPUT PREAMP. CH 1 TO CH 8	P11	
REPRG-02			1	10	1	2B				EQUALIZER CH 1 TO CH 8	J01	1.862.721.00
			1	10	11	3				INPUT EQUALIZER CH 1 TO CH 8	P11	54.14.2002
			1	15	11	3				OUTPUT PREAMP. CH 1 TO CH 8	P11	

* STUDER REVUX AG * SIGNAL WIRE LIST * 91/02/19 * 11:24 * PAGE 512 *

* 1.862.010.00 D820-48 PCM TAPE - RECORDER * 90/03/21 - 00 *

SIGNAL NAME	COLOR	MI	ASY	GRP	ELM	PNT	S	LV	TYPE	DESCRIPTION OF ELEMENT	REMARK	ELEMENT NR.
REPRG-03			1	10	1	3B				EQUALIZER CH 1 TO CH 8	J01	1.862.721.00
			1	10	11	5				INPUT EQUALIZER CH 1 TO CH 8	P11	54.14.2002
			1	15	11	5				OUTPUT PREAMP. CH 1 TO CH 8	P11	
REPRG-04			1	10	1	4B				EQUALIZER CH 1 TO CH 8	J01	1.862.721.00
			1	10	11	7				INPUT EQUALIZER CH 1 TO CH 8	P11	54.14.2002
			1	15	11	7				OUTPUT PREAMP. CH 1 TO CH 8	P11	
REPRG-05			1	10	1	5B				EQUALIZER CH 1 TO CH 8	J01	1.862.721.00
			1	10	11	9				INPUT EQUALIZER CH 1 TO CH 8	P11	54.14.2002
			1	15	11	9				OUTPUT PREAMP. CH 1 TO CH 8	P11	
REPRG-06			1	10	1	6B				EQUALIZER CH 1 TO CH 8	J01	1.862.721.00
			1	10	11	11				INPUT EQUALIZER CH 1 TO CH 8	P11	54.14.2002
			1	15	11	11				OUTPUT PREAMP. CH 1 TO CH 8	P11	
REPRG-07			1	10	1	7B				EQUALIZER CH 1 TO CH 8	J01	1.862.721.00
			1	10	11	13				INPUT EQUALIZER CH 1 TO CH 8	P11	54.14.2002
			1	15	11	13				OUTPUT PREAMP. CH 1 TO CH 8	P11	
REPRG-08			1	10	1	8B				EQUALIZER CH 1 TO CH 8	J01	1.862.721.00
			1	10	11	15				INPUT EQUALIZER CH 1 TO CH 8	P11	54.14.2002
			1	15	11	15				OUTPUT PREAMP. CH 1 TO CH 8	P11	
REPRG-09			1	10	2	1B				EQUALIZER CH 9 TO CH 16	J02	1.862.721.00
			1	10	12	1				INPUT EQUALIZER CH 9 TO CH 16	P12	54.14.2002
			1	15	12	1				OUTPUT PREAMP. CH 9 TO CH 16	P12	
REPRG-10			1	10	2	2B				EQUALIZER CH 9 TO CH 16	J02	1.862.721.00
			1	10	12	3				INPUT EQUALIZER CH 9 TO CH 16	P12	54.14.2002
			1	15	12	3				OUTPUT PREAMP. CH 9 TO CH 16	P12	
REPRG-11			1	10	2	3B				EQUALIZER CH 9 TO CH 16	J02	1.862.721.00
			1	10	12	5				INPUT EQUALIZER CH 9 TO CH 16	P12	54.14.2002
			1	15	12	5				OUTPUT PREAMP. CH 9 TO CH 16	P12	
REPRG-12			1	10	2	4B				EQUALIZER CH 9 TO CH 16	J02	1.862.721.00
			1	10	12	7				INPUT EQUALIZER CH 9 TO CH 16	P12	54.14.2002
			1	15	12	7				OUTPUT PREAMP. CH 9 TO CH 16	P12	
REPRG-13			1	10	2	5B				EQUALIZER CH 9 TO CH 16	J02	1.862.721.00
			1	10	12	9				INPUT EQUALIZER CH 9 TO CH 16	P12	54.14.2002
			1	15	12	9				OUTPUT PREAMP. CH 9 TO CH 16	P12	
REPRG-14			1	10	2	6B				EQUALIZER CH 9 TO CH 16	J02	1.862.721.00
			1	10	12	11				INPUT EQUALIZER CH 9 TO CH 16	P12	54.14.2002
			1	15	12	11				OUTPUT PREAMP. CH 9 TO CH 16	P12	
REPRG-15			1	10	2	7B				EQUALIZER CH 9 TO CH 16	J02	1.862.721.00
			1	10	12	13				INPUT EQUALIZER CH 9 TO CH 16	P12	54.14.2002
			1	15	12	13				OUTPUT PREAMP. CH 9 TO CH 16	P12	
REPRG-16			1	10	2	8B				EQUALIZER CH 9 TO CH 16	J02	1.862.721.00
			1	10	12	15				INPUT EQUALIZER CH 9 TO CH 16	P12	54.14.2002
			1	15	12	15				OUTPUT PREAMP. CH 9 TO CH 16	P12	

* STUDER REVOX AG * S I G N A L W I R E L I S T * 91/02/19 * 11:24 * PAGE 513 *

 * 1.862.010.00 D820-48 PCM TAPE - RECORDER * 90/03/21 - 00 *

SIGNAL NAME	COLOR	MI	ASY GRP	ELM	PNT	S	LV	TYPE	DESCRIPTION OF ELEMENT	REMARK	ELEMENT NR.
REPRG-17				1 10 3	18				EQUALIZER CH 17 TO CH 24	J03	1.862.721.00 54.14.2002
				1 10 13	1				INPUT EQUALIZER CH 17 TO CH 24	P13	
				1 15 13	1				OUTPUT PREAMP. CH 17 TO CH 24	P13	
REPRG-18				1 10 3	28				EQUALIZER CH 17 TO CH 24	J03	1.862.721.00 54.14.2002
				1 10 13	3				INPUT EQUALIZER CH 17 TO CH 24	P13	
				1 15 13	3				OUTPUT PREAMP. CH 17 TO CH 24	P13	
REPRG-19				1 10 3	38				EQUALIZER CH 17 TO CH 24	J03	1.862.721.00 54.14.2002
				1 10 13	5				INPUT EQUALIZER CH 17 TO CH 24	P13	
				1 15 13	5				OUTPUT PREAMP. CH 17 TO CH 24	P13	
REPRG-20				1 10 3	48				EQUALIZER CH 17 TO CH 24	J03	1.862.721.00 54.14.2002
				1 10 13	7				INPUT EQUALIZER CH 17 TO CH 24	P13	
				1 15 13	7				OUTPUT PREAMP. CH 17 TO CH 24	P13	
REPRG-21				1 10 3	58				EQUALIZER CH 17 TO CH 24	J03	1.862.721.00 54.14.2002
				1 10 13	9				INPUT EQUALIZER CH 17 TO CH 24	P13	
				1 15 13	9				OUTPUT PREAMP. CH 17 TO CH 24	P13	
REPRG-22				1 10 3	68				EQUALIZER CH 17 TO CH 24	J05	1.862.721.00 54.14.2002
				1 10 13	11				INPUT EQUALIZER CH 17 TO CH 24	P13	
				1 15 13	11				OUTPUT PREAMP. CH 17 TO CH 24	P13	
REPRG-23				1 10 3	78				EQUALIZER CH 17 TO CH 24	J03	1.862.721.00 54.14.2002
				1 10 13	13				INPUT EQUALIZER CH 17 TO CH 24	P13	
				1 15 13	13				OUTPUT PREAMP. CH 17 TO CH 24	P13	
REPRG-24				1 10 3	88				EQUALIZER CH 17 TO CH 24	J03	1.862.721.00 54.14.2002
				1 10 13	15				INPUT EQUALIZER CH 17 TO CH 24	P13	
				1 15 13	15				OUTPUT PREAMP. CH 17 TO CH 24	P13	
REPRG-25				1 10 4	18				EQUALIZER CH 25 TO CH 32	J04	1.862.721.00 54.14.2002
				1 10 14	1				INPUT EQUALIZER CH 25 TO CH 32	P14	
				1 15 14	1				OUTPUT PREAMP. CH 25 TO CH 32	P14	
REPRG-26				1 10 4	28				EQUALIZER CH 25 TO CH 32	J04	1.862.721.00 54.14.2002
				1 10 14	3				INPUT EQUALIZER CH 25 TO CH 32	P14	
				1 15 14	3				OUTPUT PREAMP. CH 25 TO CH 32	P14	
REPRG-27				1 10 4	38				EQUALIZER CH 25 TO CH 32	J04	1.862.721.00 54.14.2002
				1 10 14	5				INPUT EQUALIZER CH 25 TO CH 32	P14	
				1 15 14	5				OUTPUT PREAMP. CH 25 TO CH 32	P14	
REPRG-28				1 10 4	48				EQUALIZER CH 25 TO CH 32	J04	1.862.721.00 54.14.2002
				1 10 14	7				INPUT EQUALIZER CH 25 TO CH 32	P14	
				1 15 14	7				OUTPUT PREAMP. CH 25 TO CH 32	P14	
REPRG-29				1 10 4	58				EQUALIZER CH 25 TO CH 32	J04	1.862.721.00 54.14.2002
				1 10 14	9				INPUT EQUALIZER CH 25 TO CH 32	P14	
				1 15 14	9				OUTPUT PREAMP. CH 25 TO CH 32	P14	
REPRG-30				1 10 4	68				EQUALIZER CH 25 TO CH 32	J04	1.862.721.00 54.14.2002
				1 10 14	11				INPUT EQUALIZER CH 25 TO CH 32	P14	
				1 15 14	11				OUTPUT PREAMP. CH 25 TO CH 32	P14	

 * STUDER REVOX AG * S I G N A L W I R E L I S T * 91/02/19 * 11:24 * PAGE 514 *

 * 1.862.010.00 D820-48 PCM TAPE - RECORDER * 90/03/21 - 00 *

SIGNAL NAME	COLOR	MI	ASY GRP	ELM	PNT	S	LV	TYPE	DESCRIPTION OF ELEMENT	REMARK	ELEMENT NR.
REPRG-31				1 10 4	78				EQUALIZER CH 25 TO CH 32	J04	1.862.721.00 54.14.2002
				1 10 14	13				INPUT EQUALIZER CH 25 TO CH 32	P14	
				1 15 14	13				OUTPUT PREAMP. CH 25 TO CH 32	P14	
REPRG-32				1 10 4	88				EQUALIZER CH 25 TO CH 32	J04	1.862.721.00 54.14.2002
				1 10 14	15				INPUT EQUALIZER CH 25 TO CH 32	P14	
				1 15 14	15				OUTPUT PREAMP. CH 25 TO CH 32	P14	
REPRG-33				1 10 5	18				EQUALIZER CH 33 TO CH 40	J05	1.862.721.00 54.14.2002
				1 10 15	1				INPUT EQUALIZER CH 33 TO CH 40	P15	
				1 15 15	1				OUTPUT PREAMP. CH 33 TO CH 40	P15	
REPRG-34				1 10 5	28				EQUALIZER CH 33 TO CH 40	J05	1.862.721.00 54.14.2002
				1 10 15	3				INPUT EQUALIZER CH 33 TO CH 40	P15	
				1 15 15	3				OUTPUT PREAMP. CH 33 TO CH 40	P15	
REPRG-35				1 10 5	38				EQUALIZER CH 33 TO CH 40	J05	1.862.721.00 54.14.2002
				1 10 15	5				INPUT EQUALIZER CH 33 TO CH 40	P15	
				1 15 15	5				OUTPUT PREAMP. CH 33 TO CH 40	P15	
REPRG-36				1 10 5	48				EQUALIZER CH 33 TO CH 40	J05	1.862.721.00 54.14.2002
				1 10 15	7				INPUT EQUALIZER CH 33 TO CH 40	P15	
				1 15 15	7				OUTPUT PREAMP. CH 33 TO CH 40	P15	
REPRG-37				1 10 5	58				EQUALIZER CH 33 TO CH 40	J05	1.862.721.00 54.14.2002
				1 10 15	9				INPUT EQUALIZER CH 33 TO CH 40	P15	
				1 15 15	9				OUTPUT PREAMP. CH 33 TO CH 40	P15	
REPRG-38				1 10 5	68				EQUALIZER CH 33 TO CH 40	J05	1.862.721.00 54.14.2002
				1 10 15	11				INPUT EQUALIZER CH 33 TO CH 40	P15	
				1 15 15	11				OUTPUT PREAMP. CH 33 TO CH 40	P15	
REPRG-39				1 10 5	78				EQUALIZER CH 33 TO CH 40	J05	1.862.721.00 54.14.2002
				1 10 15	13				INPUT EQUALIZER CH 33 TO CH 40	P15	
				1 15 15	13				OUTPUT PREAMP. CH 33 TO CH 40	P15	
REPRG-40				1 10 5	88				EQUALIZER CH 33 TO CH 40	J05	1.862.721.00 54.14.2002
				1 10 15	15				INPUT EQUALIZER CH 33 TO CH 40	P15	
				1 15 15	15				OUTPUT PREAMP. CH 33 TO CH 40	P15	
REPRG-41				1 10 6	18				EQUALIZER CH 41 TO CH 48	J06	1.862.721.00 54.14.2002
				1 10 16	1				INPUT EQUALIZER CH 41 TO CH 48	P16	
				1 15 16	1				OUTPUT PREAMP. CH 41 TO CH 48	P16	
REPRG-42				1 10 6	28				EQUALIZER CH 41 TO CH 48	J06	1.862.721.00 54.14.2002
				1 10 16	3				INPUT EQUALIZER CH 41 TO CH 48	P16	
				1 15 16	3				OUTPUT PREAMP. CH 41 TO CH 48	P16	
REPRG-43				1 10 6	38				EQUALIZER CH 41 TO CH 48	J06	1.862.721.00 54.14.2002
				1 10 16	5				INPUT EQUALIZER CH 41 TO CH 48	P16	
				1 15 16	5				OUTPUT PREAMP. CH 41 TO CH 48	P16	
REPRG-44				1 10 6	48				EQUALIZER CH 41 TO CH 48	J06	1.862.721.00 54.14.2002
				1 10 16	7				INPUT EQUALIZER CH 41 TO CH 48	P16	
				1 15 16	7				OUTPUT PREAMP. CH 41 TO CH 48	P16	

STUDER D820 MCH

* STUDER REVOX AG * S I G N A L W I R E L I S T * 91/02/19 * 11:24 * P A G E 515 *
 * 1.862.010.00 D820-48 PCM TAPE - RECORDER * 90/03/21 - 00 *

SIGNAL NAME	COLOR	MI	ASY GRP	ELM PNT	S LV	TYPE	DESCRIPTION OF ELEMENT	REMARK	ELEMENT NR.
REPRG-45			1 10 6	5B			EQUALIZER CH 41 TO CH 48	J06	1.862.721.00
			1 10 16	9			INPUT EQUALIZER CH 41 TO CH 48	P16	54.14.2002
			1 15 16	9			OUTPUT PREAMP. CH 41 TO CH 48	P16	
REPRG-46			1 10 6	6B			EQUALIZER CH 41 TO CH 48	J06	1.862.721.00
			1 10 16	11			INPUT EQUALIZER CH 41 TO CH 48	P16	54.14.2002
			1 15 16	11			OUTPUT PREAMP. CH 41 TO CH 48	P16	
REPRG-47			1 10 6	7B			EQUALIZER CH 41 TO CH 48	J06	1.862.721.00
			1 10 16	13			INPUT EQUALIZER CH 41 TO CH 48	P16	54.14.2002
			1 15 16	13			OUTPUT PREAMP. CH 41 TO CH 48	P16	
REPRG-48			1 10 6	8B			EQUALIZER CH 41 TO CH 48	J06	1.862.721.00
			1 10 16	15			INPUT EQUALIZER CH 41 TO CH 48	P16	54.14.2002
			1 15 16	15			OUTPUT PREAMP. CH 41 TO CH 48	P16	
REPRS-C1			1 10 8	1C			READ UNIT CUE TRACKS	J08	1.862.723.00
			1 10 17	10			INPUT AUX TRACKS	P17	54.14.2001
			1 15 17	10			OUTPUT AUX TRACKS	P17	54.14.2001
REPRS-C2			1 10 8	2C			READ UNIT CUE TRACKS	J08	1.862.723.00
			1 10 17	8			INPUT AUX TRACKS	P17	54.14.2001
			1 15 17	8			OUTPUT AUX TRACKS	P17	54.14.2001
REPRS-RT			1 10 7	1C			READ UNIT RT/TC	J07	1.862.722.00
			1 10 17	4			INPUT AUX TRACKS	P17	54.14.2001
			1 15 17	4			OUTPUT AUX TRACKS	P17	54.14.2001
REPRS-TC			1 10 7	2C			READ UNIT RT/TC	J07	1.862.722.00
			1 10 17	2			INPUT AUX TRACKS	P17	54.14.2001
			1 15 17	2			OUTPUT AUX TRACKS	P17	54.14.2001
REPRS-01			1 10 1	1C			EQUALIZER CH 1 TO CH 8	J01	1.862.721.00
			1 10 11	2			INPUT EQUALIZER CH 1 TO CH 8	P11	54.14.2002
			1 15 11	2			OUTPUT PREAMP. CH 1 TO CH 8	P11	
REPRS-02			1 10 1	2C			EQUALIZER CH 1 TO CH 8	J01	1.862.721.00
			1 10 11	4			INPUT EQUALIZER CH 1 TO CH 8	P11	54.14.2002
			1 15 11	4			OUTPUT PREAMP. CH 1 TO CH 8	P11	
REPRS-03			1 10 1	3C			EQUALIZER CH 1 TO CH 8	J01	1.862.721.00
			1 10 11	6			INPUT EQUALIZER CH 1 TO CH 8	P11	54.14.2002
			1 15 11	6			OUTPUT PREAMP. CH 1 TO CH 8	P11	
REPRS-04			1 10 1	4C			EQUALIZER CH 1 TO CH 8	J01	1.862.721.00
			1 10 11	8			INPUT EQUALIZER CH 1 TO CH 8	P11	54.14.2002
			1 15 11	8			OUTPUT PREAMP. CH 1 TO CH 8	P11	
REPRS-05			1 10 1	5C			EQUALIZER CH 1 TO CH 8	J01	1.862.721.00
			1 10 11	10			INPUT EQUALIZER CH 1 TO CH 8	P11	54.14.2002
			1 15 11	10			OUTPUT PREAMP. CH 1 TO CH 8	P11	
REPRS-06			1 10 1	6C			EQUALIZER CH 1 TO CH 8	J01	1.862.721.00
			1 10 11	12			INPUT EQUALIZER CH 1 TO CH 8	P11	54.14.2002
			1 15 11	12			OUTPUT PREAMP. CH 1 TO CH 8	P11	

* STUDER REVOX AG * S I G N A L W I R E L I S T * 91/02/19 * 11:24 * P A G E 516 *
 * 1.862.010.00 D820-48 PCM TAPE - RECORDER * 90/03/21 - 00 *

SIGNAL NAME	COLOR	MI	ASY GRP	ELM PNT	S LV	TYPE	DESCRIPTION OF ELEMENT	REMARK	ELEMENT NR.
REPRS-07			1 10 1	7C			EQUALIZER CH 1 TO CH 8	J01	1.862.721.00
			1 10 11	14			INPUT EQUALIZER CH 1 TO CH 8	P11	54.14.2002
			1 15 11	14			OUTPUT PREAMP. CH 1 TO CH 8	P11	
REPRS-08			1 10 1	8C			EQUALIZER CH 1 TO CH 8	J01	1.862.721.00
			1 10 11	16			INPUT EQUALIZER CH 1 TO CH 8	P11	54.14.2002
			1 15 11	16			OUTPUT PREAMP. CH 1 TO CH 8	P11	
REPRS-09			1 10 2	1C			EQUALIZER CH 9 TO CH 16	J02	1.862.721.00
			1 10 12	2			INPUT EQUALIZER CH 9 TO CH 16	P12	54.14.2002
			1 15 12	2			OUTPUT PREAMP. CH 9 TO CH 16	P12	
REPRS-10			1 10 2	2C			EQUALIZER CH 9 TO CH 16	J02	1.862.721.00
			1 10 12	4			INPUT EQUALIZER CH 9 TO CH 16	P12	54.14.2002
			1 15 12	4			OUTPUT PREAMP. CH 9 TO CH 16	P12	
REPRS-11			1 10 2	3C			EQUALIZER CH 9 TO CH 16	J02	1.862.721.00
			1 10 12	6			INPUT EQUALIZER CH 9 TO CH 16	P12	54.14.2002
			1 15 12	6			OUTPUT PREAMP. CH 9 TO CH 16	P12	
REPRS-12			1 10 2	4C			EQUALIZER CH 9 TO CH 16	J02	1.862.721.00
			1 10 12	8			INPUT EQUALIZER CH 9 TO CH 16	P12	54.14.2002
			1 15 12	8			OUTPUT PREAMP. CH 9 TO CH 16	P12	
REPRS-13			1 10 2	5C			EQUALIZER CH 9 TO CH 16	J02	1.862.721.00
			1 10 12	10			INPUT EQUALIZER CH 9 TO CH 16	P12	54.14.2002
			1 15 12	10			OUTPUT PREAMP. CH 9 TO CH 16	P12	
REPRS-14			1 10 2	6C			EQUALIZER CH 9 TO CH 16	J02	1.862.721.00
			1 10 12	12			INPUT EQUALIZER CH 9 TO CH 16	P12	54.14.2002
			1 15 12	12			OUTPUT PREAMP. CH 9 TO CH 16	P12	
REPRS-15			1 10 2	7C			EQUALIZER CH 9 TO CH 16	J02	1.862.721.00
			1 10 12	14			INPUT EQUALIZER CH 9 TO CH 16	P12	54.14.2002
			1 15 12	14			OUTPUT PREAMP. CH 9 TO CH 16	P12	
REPRS-16			1 10 2	8C			EQUALIZER CH 9 TO CH 16	J02	1.862.721.00
			1 10 12	16			INPUT EQUALIZER CH 9 TO CH 16	P12	54.14.2002
			1 15 12	16			OUTPUT PREAMP. CH 9 TO CH 16	P12	
REPRS-17			1 10 3	1C			EQUALIZER CH 17 TO CH 24	J03	1.862.721.00
			1 10 13	2			INPUT EQUALIZER CH 17 TO CH 24	P13	54.14.2002
			1 15 13	2			OUTPUT PREAMP. CH 17 TO CH 24	P13	
REPRS-18			1 10 3	2C			EQUALIZER CH 17 TO CH 24	J03	1.862.721.00
			1 10 13	4			INPUT EQUALIZER CH 17 TO CH 24	P13	54.14.2002
			1 15 13	4			OUTPUT PREAMP. CH 17 TO CH 24	P13	
REPRS-19			1 10 3	3C			EQUALIZER CH 17 TO CH 24	J03	1.862.721.00
			1 10 13	6			INPUT EQUALIZER CH 17 TO CH 24	P13	54.14.2002
			1 15 13	6			OUTPUT PREAMP. CH 17 TO CH 24	P13	
REPRS-20			1 10 3	4C			EQUALIZER CH 17 TO CH 24	J03	1.862.721.00
			1 10 13	8			INPUT EQUALIZER CH 17 TO CH 24	P13	54.14.2002
			1 15 13	8			OUTPUT PREAMP. CH 17 TO CH 24	P13	

* STUDER REVOX AG * S I G N A L W I R E L I S T * 91/02/19 * 11:24 * P A G E 517 *

 * 1.862.010.00 D820-48 PCM TAPE - RECORDER * 90/03/21 - 00 *

SIGNAL NAME	COLOR	MI	ASY	GRP	ELM	PNT	S	LV	TYPE	DESCRIPTION OF ELEMENT	REMARK	ELEMENT NR.
REPRS-21			1	10	3	5C				EQUALIZER CH 17 TO CH 24 INPUT EQUALIZER CH 17 TO CH 24 OUTPUT PREAMP. CH 17 TO CH 24	J03 P13 P13	1.862.721.00 54.14.2002
REPRS-22			1	10	3	6C				EQUALIZER CH 17 TO CH 24 INPUT EQUALIZER CH 17 TO CH 24 OUTPUT PREAMP. CH 17 TO CH 24	J03 P13 P13	1.862.721.00 54.14.2002
REPRS-23			1	10	3	7C				EQUALIZER CH 17 TO CH 24 INPUT EQUALIZER CH 17 TO CH 24 OUTPUT PREAMP. CH 17 TO CH 24	J03 P13 P13	1.862.721.00 54.14.2002
REPRS-24			1	10	3	8C				EQUALIZER CH 17 TO CH 24 INPUT EQUALIZER CH 17 TO CH 24 OUTPUT PREAMP. CH 17 TO CH 24	J03 P13 P13	1.862.721.00 54.14.2002
REPRS-25			1	10	4	1C				EQUALIZER CH 25 TO CH 32 INPUT EQUALIZER CH 25 TO CH 32 OUTPUT PREAMP. CH 25 TO CH 32	J04 P14 P14	1.862.721.00 54.14.2002
REPRS-26			1	10	4	2C				EQUALIZER CH 25 TO CH 32 INPUT EQUALIZER CH 25 TO CH 32 OUTPUT PREAMP. CH 25 TO CH 32	J04 P14 P14	1.862.721.00 54.14.2002
REPRS-27			1	10	4	3C				EQUALIZER CH 25 TO CH 32 INPUT EQUALIZER CH 25 TO CH 32 OUTPUT PREAMP. CH 25 TO CH 32	J04 P14 P14	1.862.721.00 54.14.2002
REPRS-28			1	10	4	4C				EQUALIZER CH 25 TO CH 32 INPUT EQUALIZER CH 25 TO CH 32 OUTPUT PREAMP. CH 25 TO CH 32	J04 P14 P14	1.862.721.00 54.14.2002
REPRS-29			1	10	4	5C				EQUALIZER CH 25 TO CH 32 INPUT EQUALIZER CH 25 TO CH 32 OUTPUT PREAMP. CH 25 TO CH 32	J04 P14 P14	1.862.721.00 54.14.2002
REPRS-30			1	10	4	6C				EQUALIZER CH 25 TO CH 32 INPUT EQUALIZER CH 25 TO CH 32 OUTPUT PREAMP. CH 25 TO CH 32	J04 P14 P14	1.862.721.00 54.14.2002
REPRS-31			1	10	4	7C				EQUALIZER CH 25 TO CH 32 INPUT EQUALIZER CH 25 TO CH 32 OUTPUT PREAMP. CH 25 TO CH 32	J04 P14 P14	1.862.721.00 54.14.2002
REPRS-32			1	10	4	8C				EQUALIZER CH 25 TO CH 32 INPUT EQUALIZER CH 25 TO CH 32 OUTPUT PREAMP. CH 25 TO CH 32	J04 P14 P14	1.862.721.00 54.14.2002
REPRS-33			1	10	5	1C				EQUALIZER CH 33 TO CH 40 INPUT EQUALIZER CH 33 TO CH 40 OUTPUT PREAMP. CH 33 TO CH 40	J05 P15 P15	1.862.721.00 54.14.2002
REPRS-34			1	10	5	2C				EQUALIZER CH 33 TO CH 40 INPUT EQUALIZER CH 33 TO CH 40 OUTPUT PREAMP. CH 33 TO CH 40	J05 P15 P15	1.862.721.00 54.14.2002

 * STUDER REVOX AG * S I G N A L W I R E L I S T * 91/02/19 * 11:24 * P A G E 518 *

 * 1.862.010.00 D820-48 PCM TAPE - RECORDER * 90/03/21 - 00 *

SIGNAL NAME	COLOR	MI	ASY	GRP	ELM	PNT	S	LV	TYPE	DESCRIPTION OF ELEMENT	REMARK	ELEMENT NR.
REPRS-35			1	10	5	3C				EQUALIZER CH 33 TO CH 40 INPUT EQUALIZER CH 33 TO CH 40 OUTPUT PREAMP. CH 33 TO CH 40	J05 P15 P15	1.862.721.00 54.14.2002
REPRS-36			1	10	5	4C				EQUALIZER CH 33 TO CH 40 INPUT EQUALIZER CH 33 TO CH 40 OUTPUT PREAMP. CH 33 TO CH 40	J05 P15 P15	1.862.721.00 54.14.2002
REPRS-37			1	10	5	5C				EQUALIZER CH 33 TO CH 40 INPUT EQUALIZER CH 33 TO CH 40 OUTPUT PREAMP. CH 33 TO CH 40	J05 P15 P15	1.862.721.00 54.14.2002
REPRS-38			1	10	5	6C				EQUALIZER CH 33 TO CH 40 INPUT EQUALIZER CH 33 TO CH 40 OUTPUT PREAMP. CH 33 TO CH 40	J05 P15 P15	1.862.721.00 54.14.2002
REPRS-39			1	10	5	7C				EQUALIZER CH 33 TO CH 40 INPUT EQUALIZER CH 33 TO CH 40 OUTPUT PREAMP. CH 33 TO CH 40	J05 P15 P15	1.862.721.00 54.14.2002
REPRS-40			1	10	5	8C				EQUALIZER CH 33 TO CH 40 INPUT EQUALIZER CH 33 TO CH 40 OUTPUT PREAMP. CH 33 TO CH 40	J05 P15 P15	1.862.721.00 54.14.2002
REPRS-41			1	10	6	1C				EQUALIZER CH 41 TO CH 48 INPUT EQUALIZER CH 41 TO CH 48 OUTPUT PREAMP. CH 41 TO CH 48	J06 P16 P16	1.862.721.00 54.14.2002
REPRS-42			1	10	6	2C				EQUALIZER CH 41 TO CH 48 INPUT EQUALIZER CH 41 TO CH 48 OUTPUT PREAMP. CH 41 TO CH 48	J06 P16 P16	1.862.721.00 54.14.2002
REPRS-43			1	10	6	3C				EQUALIZER CH 41 TO CH 48 INPUT EQUALIZER CH 41 TO CH 48 OUTPUT PREAMP. CH 41 TO CH 48	J06 P16 P16	1.862.721.00 54.14.2002
REPRS-44			1	10	6	4C				EQUALIZER CH 41 TO CH 48 INPUT EQUALIZER CH 41 TO CH 48 OUTPUT PREAMP. CH 41 TO CH 48	J06 P16 P16	1.862.721.00 54.14.2002
REPRS-45			1	10	6	5C				EQUALIZER CH 41 TO CH 48 INPUT EQUALIZER CH 41 TO CH 48 OUTPUT PREAMP. CH 41 TO CH 48	J06 P16 P16	1.862.721.00 54.14.2002
REPRS-46			1	10	6	6C				EQUALIZER CH 41 TO CH 48 INPUT EQUALIZER CH 41 TO CH 48 OUTPUT PREAMP. CH 41 TO CH 48	J06 P16 P16	1.862.721.00 54.14.2002
REPRS-47			1	10	6	7C				EQUALIZER CH 41 TO CH 48 INPUT EQUALIZER CH 41 TO CH 48 OUTPUT PREAMP. CH 41 TO CH 48	J06 P16 P16	1.862.721.00 54.14.2002
REPRS-48			1	10	6	8C				EQUALIZER CH 41 TO CH 48 INPUT EQUALIZER CH 41 TO CH 48 OUTPUT PREAMP. CH 41 TO CH 48	J06 P16 P16	1.862.721.00 54.14.2002

STUDER D820 MCH

* STUDER REVOX AG * S I G N A L W I R E L I S T * 91/02/19 * 11:24 * PAGE 519 *

* 1.862.010.00 D820-48 PCM TAPE - RECORDER * 90/03/21 - 00 *

SIGNAL NAME	COLOR	MI	ASY	GRP	ELM	PNT	S	LV	TYPE	DESCRIPTION OF ELEMENT	REMARK	ELEMENT NR.
RES			1	27	4	22				TO CONN. PARALLEL REMOTE CONTR.	P04	
RES-EQ1			1	10	1	21C				EQUALIZER CH 1 TO CH 8	J01	1.862.721.00
			1	10	2	21C				EQUALIZER CH 9 TO CH 16	J02	1.862.721.00
			1	10	3	21C				EQUALIZER CH 17 TO CH 24	J03	1.862.721.00
			1	10	4	21C				EQUALIZER CH 25 TO CH 32	J04	1.862.721.00
			1	10	5	21C				EQUALIZER CH 33 TO CH 40	J05	1.862.721.00
			1	10	6	21C				EQUALIZER CH 41 TO CH 48	J06	1.862.721.00
			1	10	7	21C				READ UNIT RT/TC	J07	1.862.722.00
			1	10	8	21C				READ UNIT CUE TRACKS	J08	1.862.723.00
			1	10	32	4				EQUALIZER CONTROL	P32	54.14.2002
			1	19	3	7B				REPRODUCE CONTROLLER	J03	1.862.720.00
			1	19	31	4				EQUALIZER CONTROL	P31	54.14.2002
RES-EQ2			1	10	1	22C				EQUALIZER CH 1 TO CH 8	J01	1.862.721.00
			1	10	2	22C				EQUALIZER CH 9 TO CH 16	J02	1.862.721.00
			1	10	3	22C				EQUALIZER CH 17 TO CH 24	J03	1.862.721.00
			1	10	4	22C				EQUALIZER CH 25 TO CH 32	J04	1.862.721.00
			1	10	5	22C				EQUALIZER CH 33 TO CH 40	J05	1.862.721.00
			1	10	6	22C				EQUALIZER CH 41 TO CH 48	J06	1.862.721.00
			1	10	7	22C				READ UNIT RT/TC	J07	1.862.722.00
			1	10	8	22C				READ UNIT CUE TRACKS	J08	1.862.723.00
			1	10	32	6				EQUALIZER CONTROL	P32	54.14.2002
			1	19	3	8B				REPRODUCE CONTROLLER	J03	1.862.720.00
			1	19	31	6				EQUALIZER CONTROL	P31	54.14.2002
RES-EQ3			1	10	1	23C				EQUALIZER CH 1 TO CH 8	J01	1.862.721.00
			1	10	2	23C				EQUALIZER CH 9 TO CH 16	J02	1.862.721.00
			1	10	3	23C				EQUALIZER CH 17 TO CH 24	J03	1.862.721.00
			1	10	4	23C				EQUALIZER CH 25 TO CH 32	J04	1.862.721.00
			1	10	5	23C				EQUALIZER CH 33 TO CH 40	J05	1.862.721.00
			1	10	6	23C				EQUALIZER CH 41 TO CH 48	J06	1.862.721.00
			1	10	7	23C				READ UNIT RT/TC	J07	1.862.722.00
			1	10	8	23C				READ UNIT CUE TRACKS	J08	1.862.723.00
			1	10	32	8				EQUALIZER CONTROL	P32	54.14.2002
			1	19	3	9B				REPRODUCE CONTROLLER	J03	1.862.720.00
			1	19	31	8				EQUALIZER CONTROL	P31	54.14.2002
RES-EQ4			1	10	1	11C				EQUALIZER CH 1 TO CH 8	J01	1.862.721.00
			1	10	2	11C				EQUALIZER CH 9 TO CH 16	J02	1.862.721.00
			1	10	3	11C				EQUALIZER CH 17 TO CH 24	J03	1.862.721.00
			1	10	4	11C				EQUALIZER CH 25 TO CH 32	J04	1.862.721.00
			1	10	5	11C				EQUALIZER CH 33 TO CH 40	J05	1.862.721.00
			1	10	6	11C				EQUALIZER CH 41 TO CH 48	J06	1.862.721.00
			1	10	7	11C				READ UNIT RT/TC	J07	1.862.722.00
			1	10	8	11C				READ UNIT CUE TRACKS	J08	1.862.723.00
			1	10	32	12				EQUALIZER CONTROL	P32	54.14.2002
			1	19	3	11B				REPRODUCE CONTROLLER	J03	1.862.720.00
			1	19	31	12				EQUALIZER CONTROL	P31	54.14.2002
RES-EQ5			1	10	1	12C				EQUALIZER CH 1 TO CH 8	J01	1.862.721.00
			1	10	2	12C				EQUALIZER CH 9 TO CH 16	J02	1.862.721.00
			1	10	3	12C				EQUALIZER CH 17 TO CH 24	J03	1.862.721.00
			1	10	4	12C				EQUALIZER CH 25 TO CH 32	J04	1.862.721.00
			1	10	5	12C				EQUALIZER CH 33 TO CH 40	J05	1.862.721.00

* STUDER REVOX AG * S I G N A L W I R E L I S T * 91/02/19 * 11:24 * PAGE 520 *

* 1.862.010.00 D820-48 PCM TAPE - RECORDER * 90/03/21 - 00 *

SIGNAL NAME	COLOR	MI	ASY	GRP	ELM	PNT	S	LV	TYPE	DESCRIPTION OF ELEMENT	REMARK	ELEMENT NR.
<<<-- CONT.OF RES-EQ5			1	10	6	12C				EQUALIZER CH 41 TO CH 48	J06	1.862.721.00
			1	10	7	12C				READ UNIT RT/TC	J07	1.862.722.00
			1	10	8	12C				READ UNIT CUE TRACKS	J08	1.862.723.00
			1	10	32	14				EQUALIZER CONTROL	P32	54.14.2002
			1	19	3	12B				REPRODUCE CONTROLLER	J03	1.862.720.00
			1	19	31	14				EQUALIZER CONTROL	P31	54.14.2002
RES-EQ6			1	10	1	13C				EQUALIZER CH 1 TO CH 8	J01	1.862.721.00
			1	10	2	13C				EQUALIZER CH 9 TO CH 16	J02	1.862.721.00
			1	10	3	13C				EQUALIZER CH 17 TO CH 24	J03	1.862.721.00
			1	10	4	13C				EQUALIZER CH 25 TO CH 32	J04	1.862.721.00
			1	10	5	13C				EQUALIZER CH 33 TO CH 40	J05	1.862.721.00
			1	10	6	13C				EQUALIZER CH 41 TO CH 48	J06	1.862.721.00
			1	10	7	13C				READ UNIT RT/TC	J07	1.862.722.00
			1	10	8	13C				READ UNIT CUE TRACKS	J08	1.862.723.00
			1	10	32	16				EQUALIZER CONTROL	P32	54.14.2002
			1	19	3	13B				REPRODUCE CONTROLLER	J03	1.862.720.00
			1	19	31	16				EQUALIZER CONTROL	P31	54.14.2002
RESERVE			1	35	22	9			BX	AUDIO RACK CH 1 TO 8	J01	
			1	35	23	9			BX	AUDIO RACK CH 9 TO 16	J02	
			1	35	24	9			BX	AUDIO RACK CH 17 TO 24	J03	
			7	3	1	2				LINE INPUT		50.25.0003
			7	3	2	2				LINE AUXILIARY		50.25.0003
			7	3	3	2				LINE OUTPUT		50.25.0003
RESERVE1			1	35	25	1				WIRE FIELD		
			1	35	25	2				WIRE FIELD		
			1	35	25	3				WIRE FIELD		
			1	35	25	4				WIRE FIELD		
RESERVE2			1	35	26	1				WIRE FIELD		
			1	35	26	2				WIRE FIELD		
			1	35	26	3				WIRE FIELD		
			1	35	26	4				WIRE FIELD		
RESERVE3			1	35	27	1				WIRE FIELD		
			1	35	27	2				WIRE FIELD		
			1	35	27	3				WIRE FIELD		
			1	35	27	4				WIRE FIELD		
RESS-CUE			1	10	7	8A				READ UNIT RT/TC	J07	1.862.722.00
RES1-CUE			1	10	7	5C				READ UNIT RT/TC	J07	1.862.722.00
			1	10	8	5C				READ UNIT CUE TRACKS	J08	1.862.723.00
RES2-CUE			1	10	7	6A				READ UNIT RT/TC	J07	1.862.722.00
			1	10	8	6A				READ UNIT CUE TRACKS	J08	1.862.723.00
RES3-CUE			1	10	7	7A				READ UNIT RT/TC	J07	1.862.722.00
			1	10	8	7A				READ UNIT CUE TRACKS	J08	1.862.723.00
RES4-CUE			1	10	7	7C				READ UNIT RT/TC	J07	1.862.722.00
			1	10	8	7C				READ UNIT CUE TRACKS	J08	1.862.723.00

STUDER D820 MCH

* STUDER REVEX AG * S I G N A L W I R E L I S T * 91/02/19 * 11:24 * P A G E 523 *

* 1.862.010.00 D820-48 PCM TAPE - RECORDER * 90/03/21 - 00 *

SIGNAL NAME	COLOR	MI	ASY	GRP	ELM	PNT	S	LV	TYPE	DESCRIPTION OF ELEMENT	REMARK	ELEMENT NR.	
<<-- CONT.OF RT-BPH1			3B	3	12A	19A				P02 MAPRO A-GR3 (CH 17-24)	BACKP.AA1	1.862.652.00	
			3B	3	32A	19A				P02 IO A-GR3 (CH 17-24)	BACKP.AA1	1.862.653.00	
			3B	3	52A	19A				P02 BTM	BACKP.AA1	1.862.670.00	
			3B	10	72	15				GENERAL BUS ASSY.3B	BACKP.AA1		
			4A	2S	12A	19A				P02 CLOCK-BOARD	BACKP.AS2	1.862.660.00	
			4A	2S	22A	19A				P02 PING-PONG	BACKP.AS2	1.862.662.00	
			4A	2S	32A	19A				P02 MASTER I/O A (CH 01-24)	BACKP.AS2	1.862.663.00	
			4A	2S	42A	19A				P02 MASTER I/O B (CH 25-48)	BACKP.AS2	1.862.663.00	
			4A	2S	52A	19A				P02 AES-INTERFACE	BACKP.AS2	1.862.664.00	
			4A	4	12A	19A				P02 MAPRO A.GR4 (CH 25-32)	BACKP.AS2	1.862.652.00	
			4A	4	32A	19A				P02 IO A.GR4 (CH 25-32)	BACKP.AS2	1.862.653.00	
			4A	10S	91	15				GENERAL BUS ASSY.4	BACKP.AS2		
			4A	11	72	15				GENERAL BUS ASSY.4A	BACKP.AS2		
			4B	5	12A	19A				P02 MAPRO A-GR5 (CH 33-40)	BACKP.AA2	1.862.652.00	
			4B	5	32A	19A				P02 IO A-GR5 (CH 33-40)	BACKP.AA2	1.862.653.00	
			4B	6	12A	19A				P02 MAPRO A-GR6 (CH 41-48)	BACKP.AA2	1.862.652.00	
			4B	6	32A	19A				P02 IO A-GR6 (CH 41-48)	BACKP.AA2	1.862.653.00	
			4B	6	52A	19A				P02 BTM	BACKP.AA2	1.862.670.00	
			4B	10	72	15				GENERAL BUS ASSY.4B	BACKP.AA2		
	RT-CTLJP			3A	1	12A	21A				P02 MAPRO A-GR1 (CH 01-08)	BACKP.AS1	1.862.652.00
				3A	1	32A	21A				P02 IO A-GR1 (CH 01-08)	BACKP.AS1	1.862.653.00
				3A	1S	12A	21A				P02 CUE MODEM	BACKP.AS1	1.862.661.00
				3A	1S	22A	21A				P02 CENTRAL PROCESSOR UNIT	BACKP.AS1	1.862.655.00
				3A	1S	32A	21A				P02 PERIPHERAL INTERFACE	BACKP.AS1	1.862.656.00
				3A	1S	42A	21A				P02 SYNCHRONIZER	BACKP.AS1	1.862.659.00
				3A	1S	52A	21A				P02 REFERENCE TRACK	BACKP.AS1	1.862.657.00
				3A	10S	91	19				GENERAL BUS ASSY.3	BACKP.AS1	
				3A	11	72	19				GENERAL BUS ASSY.3A	BACKP.AS1	
				3B	2	12A	21A				P02 MAPRO A-GR2 (CH 09-16)	BACKP.AA1	1.862.652.00
				3B	2	32A	21A				P02 IO A-GR2 (CH 09-16)	BACKP.AA1	1.862.653.00
			3B	3	12A	21A				P02 MAPRO A-GR3 (CH 17-24)	BACKP.AA1	1.862.652.00	
			3B	3	32A	21A				P02 IO A-GR3 (CH 17-24)	BACKP.AA1	1.862.653.00	
			3B	3	52A	21A				P02 BTM	BACKP.AA1	1.862.670.00	
			3B	10	72	19				GENERAL BUS ASSY.3B	BACKP.AA1		
			4A	2S	12A	21A				P02 CLOCK-BOARD	BACKP.AS2	1.862.660.00	
			4A	2S	22A	21A				P02 PING-PONG	BACKP.AS2	1.862.662.00	
			4A	2S	32A	21A				P02 MASTER I/O A (CH 01-24)	BACKP.AS2	1.862.663.00	
			4A	2S	42A	21A				P02 MASTER I/O B (CH 25-48)	BACKP.AS2	1.862.663.00	
			4A	2S	52A	21A				P02 AES-INTERFACE	BACKP.AS2	1.862.664.00	
			4A	4	12A	21A				P02 MAPRO A.GR4 (CH 25-32)	BACKP.AS2	1.862.652.00	
			4A	4	32A	21A				P02 IO A.GR4 (CH 25-32)	BACKP.AS2	1.862.653.00	
			4A	10S	91	19				GENERAL BUS ASSY.4	BACKP.AS2		
			4A	11	72	19				GENERAL BUS ASSY.4A	BACKP.AS2		
			4B	5	12A	21A				P02 MAPRO A-GR5 (CH 33-40)	BACKP.AA2	1.862.652.00	
			4B	5	32A	21A				P02 IO A-GR5 (CH 33-40)	BACKP.AA2	1.862.653.00	
			4B	6	12A	21A				P02 MAPRO A-GR6 (CH 41-48)	BACKP.AA2	1.862.652.00	
			4B	6	32A	21A				P02 IO A-GR6 (CH 41-48)	BACKP.AA2	1.862.653.00	
			4B	6	52A	21A				P02 BTM	BACKP.AA2	1.862.670.00	
			4B	10	72	19				GENERAL BUS ASSY.4B	BACKP.AA2		
RT-GRID			1	1	10	11				CLOCK CONNECTOR	J10		
			1	20	15	6A				CONVERTER RS422/TTL	J15	1.862.715.00	
			1	20	54	11				CLOCK CONNECTOR	P54	54.14.2003	
***** * STUDER REVEX AG * S I G N A L W I R E L I S T * 91/02/19 * 11:24 * P A G E 524 * ***** * 1.862.010.00 D820-48 PCM TAPE - RECORDER * 90/03/21 - 00 * *****													
<<-- CONT.OF RT-GRID			1	21	1	11				CLOCK CONNECTOR	P01		
			3A	1S	51A	17A				P01 REFERENCE TRACK	BACKP.AS1	1.862.657.00	
			3A	10S	43	5				RT+TC CLOCKS	BACKP.AS1		
			4A	10S	12	11				CLOCK-CONNECTOR	BACKP.AS2		
			4A	10S	13	5				RT+TC CLOCKS	BACKP.AS2		
			5D	1	10	11				CLOCK-CONNECTOR	TD&HD-IF		
RT-GRIDS			1	20	15	30B				CONVERTER RS422/TTL	J15	1.862.715.00	
RT-IGRID			1	1	10	12				CLOCK CONNECTOR	J10		
			1	20	15	6B				CONVERTER RS422/TTL	J15	1.862.715.00	
			1	20	54	12				CLOCK CONNECTOR	P54	54.14.2003	
			1	21	1	12				CLOCK CONNECTOR	P01		
			3A	1S	51C	17C				P01 REFERENCE TRACK	BACKP.AS1	1.862.657.00	
			3A	10S	43	6				RT+TC CLOCKS	BACKP.AS1		
RT-IRT			1	1	8	2				DATA RT + TC	J08		
			1	21	16	2				DATA RT + TC	P16		
			3A	1S	51C	5C				P01 REFERENCE TRACK	BACKP.AS1	1.862.657.00	
			3A	10S	41	2				RT+TC DATA (TO TD)	BACKP.AS1		
			5D	1	8	2				RT+TC DATA (TO TD)	TD&HD-IF		
	RT-RT			1	1	8	1				DATA RT + TC	J08	
			1	21	16	1				DATA RT + TC	P16		
			3A	1S	51A	5A				P01 REFERENCE TRACK	BACKP.AS1	1.862.657.00	
			3A	10S	41	1				RT+TC DATA (TO TD)	BACKP.AS1		
			5D	1	8	1				RT+TC DATA (TO TD)	TD&HD-IF		
RT-RTOUT				3A	1S	51C	8C				P01 REFERENCE TRACK	BACKP.AS1	1.862.657.00
			3A	10S	42	6				SSTC + RT IN/OUT	BACKP.AS1		
			5C	3	6	1				TAPE RT OUT	BNC		
			5C	3	11	6				SSTC RT IN/OUT	MICONC		
	RT-SSYTP			1	1	10	9				CLOCK CONNECTOR	J10	
				1	20	15	5A				CONVERTER RS422/TTL	J15	1.862.715.00
			1	20	54	9				CLOCK CONNECTOR	P54	54.14.2003	
			1	21	1	9				CLOCK CONNECTOR	P01		
			3A	1S	51A	19A				P01 REFERENCE TRACK	BACKP.AS1	1.862.657.00	
			3A	10S	43	3				RT+TC CLOCKS	BACKP.AS1		
			4A	10S	12	9				CLOCK-CONNECTOR	BACKP.AS2		
RTISSYTP			1	1	10	10				CLOCK CONNECTOR	J10		
			1	20	15	5B				CONVERTER RS422/TTL	J15	1.862.715.00	
			1	20	54	10				CLOCK CONNECTOR	P54	54.14.2003	
			1	21	1	10				CLOCK CONNECTOR	P01		
			3A	1S	51C	19C				P01 REFERENCE TRACK	BACKP.AS1	1.862.657.00	
			3A	10S	43	4				RT+TC CLOCKS	BACKP.AS1		
		4A	10S	12	10				CLOCK-CONNECTOR	BACKP.AS2			
		4A	10S	13	4				RT+TC CLOCKS	BACKP.AS2			
		5D	1	10	10				CLOCK-CONNECTOR	TD&HD-IF			

 * STUDER REVOX AG * S I G N A L W I R E L I S T * 91/02/19 * 11:24 * P A G E 525 *

 * 1.862.010.00 D820-48 PCM TAPE - RECORDER * 90/03/21 - 00 *

SIGNAL NAME	COLOR	MI	ASY	GRP	ELM	PNT	S	LV	TYPE	DESCRIPTION OF ELEMENT	REMARK	ELEMENT NR.
RTSSYTPS			1	20	15	29B				CONVERTER RS422/TTL	J15	1.862.715.00
			1	20	16	7A				CAPSTAN PHASE CONTROL BOARD	J16	1.862.714.00
SHELL			5C	1	1	4				AES/EBU IN	XLR/F	MICONC
			5C	1	2	4				AES/EBU OUT	XLR/M	MICONC
			5C	3	1	4				EXT. TC IN	XLR/F	MICONC
			5C	3	2	4				EXT. TC OUT	XLR/M	MICONC
			5C	3	3	4				TC OUT	XLR/M	MICONC
			5C	3	7	6				TC BIPHASE IN	5POL XLR/F	MICONC
			5C	4	1	4				CUE 1 IN	XLR/F	MICONC
			5C	4	2	4				CUE 1 OUT	XLR/M	MICONC
			5C	4	3	4				CUE 2 IN	XLR/F	MICONC
			5C	4	4	4				CUE 2 OUT	XLR/M	MICONC
			5C	10	17	1				C1 ** NOT USED **		MICONC
			5D	1	13	1				SHELL		TD&HD-IF
			5D	2	10	1				SHELL		TD&HD-IF
SHIELD			1	25	1	1			B	CONN. AUTOLOCATOR, REMOTE TIMER	J01	
SHIELD1			7	4	2	1A				SECONDARY DISTRIBUTOR		
			7	5	2	1A				SECONDARY DISTRIBUTOR		
			7	6	2	1A				SECONDARY DISTRIBUTOR		
			7	7	2	1A				SECONDARY DISTRIBUTOR		
			7	8	2	1A				SECONDARY DISTRIBUTOR		
SHIELD2			7	4	2	6A				SECONDARY DISTRIBUTOR		
			7	5	2	6A				SECONDARY DISTRIBUTOR		
			7	6	2	6A				SECONDARY DISTRIBUTOR		
			7	7	2	6A				SECONDARY DISTRIBUTOR		
			7	8	2	6A				SECONDARY DISTRIBUTOR		
SIGN.GND			1	25	1	8			B	CONN. AUTOLOCATOR, REMOTE TIMER	J01	
SR-FADRY			1	25	3	6			B	CONN. PARALLEL REMOTE CONTROL	J01	
			1	27	4	11				TO CONN. PARALLEL REMOTE CONTR.	P04	
SR-FORM			1	25	2	21			B	CONNECTOR SYNCHRONIZER CONTROL	J02	
			1	25	3	21			B	CONN. PARALLEL REMOTE CONTROL	J01	
			1	27	3	16				TO GRP25, ELM02 (SYNCHRONIZER)	P03	
			1	27	4	16				TO CONN. PARALLEL REMOTE CONTR.	P04	
SR-LIFT			1	25	2	17			B	CONNECTOR SYNCHRONIZER CONTROL	J02	
			1	25	3	17			B	CONN. PARALLEL REMOTE CONTROL	J01	
			1	27	3	8				TO GRP25, ELM02 (SYNCHRONIZER)	P03	
			1	27	4	8				TO CONN. PARALLEL REMOTE CONTR.	P04	
SR-LOC			1	27	4	2				TO CONN. PARALLEL REMOTE CONTR.	P04	
SR-LOCST			1	25	3	18			B	CONN. PARALLEL REMOTE CONTROL	J01	
			1	27	4	10				TO CONN. PARALLEL REMOTE CONTR.	P04	
SR-MUTE			1	25	2	18			B	CONNECTOR SYNCHRONIZER CONTROL	J02	
			1	27	3	10				TO GRP25, ELM02 (SYNCHRONIZER)	P03	

 * STUDER REVOX AG * S I G N A L W I R E L I S T * 91/02/19 * 11:24 * P A G E 526 *

 * 1.862.010.00 D820-48 PCM TAPE - RECORDER * 90/03/21 - 00 *

SIGNAL NAME	COLOR	MI	ASY	GRP	ELM	PNT	S	LV	TYPE	DESCRIPTION OF ELEMENT	REMARK	ELEMENT NR.
SR-PLAY			1	25	1	6			B	CONN. AUTOLOCATOR, REMOTE TIMER	J01	
			1	25	2	22			B	CONNECTOR SYNCHRONIZER CONTROL	J02	
			1	25	3	22			B	CONN. PARALLEL REMOTE CONTROL	J01	
			1	27	3	18				TO GRP25, ELM02 (SYNCHRONIZER)	P03	
			1	27	4	18				TO CONN. PARALLEL REMOTE CONTR.	P04	
			1	27	6	3				CONN. AUTOLOC - PARALLEL	P06	
SR-REC			1	25	1	2			B	CONN. AUTOLOCATOR, REMOTE TIMER	J01	
			1	25	2	19			B	CONNECTOR SYNCHRONIZER CONTROL	J02	
			1	25	3	19			B	CONN. PARALLEL REMOTE CONTROL	J01	
			1	27	3	12				TO GRP25, ELM02 (SYNCHRONIZER)	P03	
			1	27	4	12				TO CONN. PARALLEL REMOTE CONTR.	P04	
			1	27	6	2				CONN. AUTOLOC - PARALLEL	P06	
SR-REHSL			1	25	2	6			B	CONNECTOR SYNCHRONIZER CONTROL	J02	
			1	27	3	11				TO GRP25, ELM02 (SYNCHRONIZER)	P03	
SR-RESET			1	25	3	10			B	CONN. PARALLEL REMOTE CONTROL	J01	
			1	27	4	19				TO CONN. PARALLEL REMOTE CONTR.	P04	
SR-REW			1	25	2	20			B	CONNECTOR SYNCHRONIZER CONTROL	J02	
			1	25	3	20			B	CONN. PARALLEL REMOTE CONTROL	J01	
			1	27	3	14				TO GRP25, ELM02 (SYNCHRONIZER)	P03	
			1	27	4	14				TO CONN. PARALLEL REMOTE CONTR.	P04	
SR-RVPS			1	25	2	24			B	CONNECTOR SYNCHRONIZER CONTROL	J02	
			1	27	3	22				TO GRP25, ELM02 (SYNCHRONIZER)	P03	
SR-STOP			1	25	2	23			B	CONNECTOR SYNCHRONIZER CONTROL	J02	
			1	25	3	23			B	CONN. PARALLEL REMOTE CONTROL	J01	
			1	27	3	20				TO GRP25, ELM02 (SYNCHRONIZER)	P03	
			1	27	4	20				TO CONN. PARALLEL REMOTE CONTR.	P04	
SR-VRSPD			1	25	2	5			B	CONNECTOR SYNCHRONIZER CONTROL	J02	
			1	25	3	5			B	CONN. PARALLEL REMOTE CONTROL	J01	
			1	27	3	9				TO GRP25, ELM02 (SYNCHRONIZER)	P03	
			1	27	4	9				TO CONN. PARALLEL REMOTE CONTR.	P04	
SR-OLOC			1	25	3	14			B	CONN. PARALLEL REMOTE CONTROL	J01	
SS-FIEO			3A	1S	42C	13C				P02 SYNCHRONIZER	BACKP.AS1	1.862.659.00
			3A	1S	52A	13A				P02 REFERENCE TRACK	BACKP.AS1	1.862.657.00
SS-IRFNT			1	1	10	18				CLOCK CONNECTOR	J10	
			1	20	15	9B				CONVERTER RS422/TTL	J15	1.862.715.00
			1	20	54	18				CLOCK CONNECTOR	P54	54.14.2003
			1	21	1	18				CLOCK CONNECTOR	P01	
			3A	1S	41C	24C				P01 SYNCHRONIZER		BACKP.AS1
			3A	10S	43	14				RT+TC CLOCKS		BACKP.AS1
			4A	2S	11C	24C				P01 CLOCK-BOARD		BACKP.AS2
			4A	10S	12	18				CLOCK-CONNECTOR		BACKP.AS2
			4A	10S	13	14				RT+TC CLOCKS		BACKP.AS2
			5D	1	10	18				CLOCK-CONNECTOR		TD&HD-IF

STUDER D820 MCH

 * STUDER REVOX AG * S I G N A L W I R E L I S T * 91/02/19 * 11:24 * P A G E 527 *
 * 1.862.010.00 D820-48 PCM TAPE - RECORDER * 90/03/21 - 00 *

SIGNAL NAME	COLOR	MI	ASY GRP ELM PNT	S LV TYPE	DESCRIPTION OF ELEMENT	REMARK	ELEMENT NR.
SS-ITC			1 1 8 4 1 21 16 4 3A 1S 41C 6C 3A 10S 41 4 5D 1 8 4		DATA RT + TC DATA RT + TC P01 SYNCHRONIZER RT+TC DATA (TO TD) RT+TC DATA (TO TD)	J08 P16 BACKP.AS1 BACKP.AS1 TD&HD-IF	1.862.659.00
SS-RFNT			1 1 10 17 1 20 15 9A 1 20 54 17 1 21 1 17 3A 1S 41A 24A 3A 10S 43 13 4A 2S 11A 24A 4A 10S 12 17 4A 10S 13 13 5D 1 10 17		CLOCK CONNECTOR CONVERTER RS422/TTL CLOCK CONNECTOR CLOCK CONNECTOR P01 SYNCHRONIZER RT+TC CLOCKS P01 CLOCK-BOARD CLOCK-CONNECTOR RT+TC CLOCKS CLOCK-CONNECTOR	J10 J15 P54 P01 BACKP.AS1 BACKP.AS1 BACKP.AS2 BACKP.AS2 TD&HD-IF	1.862.715.00 54.14.2003 1.862.659.00 1.862.660.00
SS-TC			1 1 8 3 1 21 16 3 3A 1S 41A 6A 3A 10S 41 3 5D 1 8 3		DATA RT + TC DATA RT + TC P01 SYNCHRONIZER RT+TC DATA (TO TD) RT+TC DATA (TO TD)	J08 P16 BACKP.AS1 BACKP.AS1 TD&HD-IF	1.862.659.00
SS-TCOUT			3A 1S 41A 13A 3A 10S 42 3 5C 3 3 2 5C 3 11 3		P01 SYNCHRONIZER SSTC + RT IN/OUT TC OUT SSTC + RT IN/OUT	BACKP.AS1 BACKP.AS1 MICONC MICONC	1.862.659.00
SSITCOUT			3A 1S 41C 13C 3A 10S 42 4 5C 3 3 3 5C 3 11 4		P01 SYNCHRONIZER SSTC + RT IN/OUT TC OUT SSTC + RT IN/OUT	BACKP.AS1 BACKP.AS1 MICONC MICONC	1.862.659.00
STABINX			5C 6 1 9 5C 10 14 2		REM BUS 9POL D-SUB/F D1 IN 5402 (3000MA)	MICONC MICONC	
STABINY			5C 6 2 9 5C 10 15 2		REM BUS 9POL D-SUB/F D2 IN 5402 (3000MA)	MICONC MICONC	
STABINZ			5C 7 1 9 5C 10 16 2		LEVEL DISPLAY 9POL D-SUB/F D3 IN 5402 (3000MA)	MICONC MICONC	
SYNC			6A 1 1 1 6A 1 1 2 6A 2 1A 29A 6A 2 1B 29B 6A 2 1C 29C 6A 3 1A 29A 6A 3 1B 29B 6A 3 1C 29C 6B 1 1A 29A 6B 1 1B 29B 6B 1 1C 29C 6B 2 1A 29A 6B 2 1B 29B		BACKPANEL EXTENSION CONNECTION BACKPANEL EXTENSION CONNECTION DP KEY DETECTION DP KEY DETECTION DP KEY DETECTION DP KEY DETECTION DP KEY DETECTION DP KEY DETECTION DP KEY DETECTION DP KEY DETECTION DP KEY DETECTION DP KEY DETECTION DP KEY DETECTION DP KEY DETECTION	DISPLAY. DISPLAY. AUX DISPLAY. AUX DISPLAY. AUX DISPLAY. A-GR.5+6 DISPLAY. A-GR.5+6 DISPLAY. A-GR.5+6 DISPLAY. A-GR.3+4 DISPLAY. A-GR.3+4 DISPLAY. A-GR.3+4 DISPLAY. A-GR.1+2 DISPLAY. A-GR.1+2 DISPLAY.	1.862.812.00 1.862.812.00 1.862.812.00 1.862.812.00 1.862.812.00 1.862.812.00 1.862.812.00 1.862.812.00 1.862.812.00 1.862.812.00 1.862.812.00 1.862.812.00 1.862.812.00 1.862.812.00

 * STUDER REVOX AG * S I G N A L W I R E L I S T * 91/02/19 * 11:24 * P A G E 528 *
 * 1.862.010.00 D820-48 PCM TAPE - RECORDER * 90/03/21 - 00 *

SIGNAL NAME	COLOR	MI	ASY GRP ELM PNT	S LV TYPE	DESCRIPTION OF ELEMENT	REMARK	ELEMENT NR.
<<< CONT.OF SYNC			6B 2 1C 29C 6B 3 1 1 6B 3 1 2		DP KEY DETECTION BACKPANEL EXTENSION CONNECTION BACKPANEL EXTENSION CONNECTION	A-GR.1+2 DISPLAY. DISPLAY. DISPLAY.	1.862.812.00
T-A0			1 27 1 12		TO GRP26, ELM01 (SERIAL REM. IF) P01		
T-A1			1 27 1 9		TO GRP26, ELM01 (SERIAL REM. IF) P01		
T-A2			1 27 1 10		TO GRP26, ELM01 (SERIAL REM. IF) P01		
T-A3			1 27 1 7		TO GRP26, ELM01 (SERIAL REM. IF) P01		
T-BD			1 27 1 8		TO GRP26, ELM01 (SERIAL REM. IF) P01		
T-B0			1 27 1 15		TO GRP26, ELM01 (SERIAL REM. IF) P01		
T-B1			1 27 1 13		TO GRP26, ELM01 (SERIAL REM. IF) P01		
T-B2			1 27 1 14		TO GRP26, ELM01 (SERIAL REM. IF) P01		
T-B3			1 27 1 11		TO GRP26, ELM01 (SERIAL REM. IF) P01		
T-IREFEX			1 1 10 22 1 20 15 11B 1 20 54 22 1 21 1 22 3A 1S 41C 25C 3A 10S 43 16 4A 10S 12 22 4A 10S 13 16 5D 1 10 22		CLOCK CONNECTOR CONVERTER RS422/TTL CLOCK CONNECTOR CLOCK CONNECTOR P01 SYNCHRONIZER RT+TC CLOCKS CLOCK-CONNECTOR RT+TC CLOCKS CLOCK-CONNECTOR	J10 J15 P54 P01 BACKP.AS1 BACKP.AS1 BACKP.AS2 BACKP.AS2 TD&HD-IF	1.862.715.00 54.14.2003 1.862.659.00
T-IRES2			1 20 19 19A		TAPE DECK PERIPHERY CONTR.	J19	1.820.762.00
T-IRES3			1 20 19 22A		TAPE DECK PERIPHERY CONTR.	J19	1.820.762.00
T-IRES4			1 20 19 23A		TAPE DECK PERIPHERY CONTR.	J19	1.820.762.00
T-OE			1 27 1 20		TO GRP26, ELM01 (SERIAL REM. IF) P01		
T-PHRON			1 20 22 14 1 20 69 9 1 35 2 1 1 35 2 2 1 35 2 3 1 35 2 4 1 35 2 5 1 35 2 6 1 35 58 7 1 35 59 9 3A 1S 21C 17C 3A 10S 14 9 7 3 4 9 7 3 5 5		MP-UNIT TD CONTROL MCH DC STABILIZERS WIRE FIELD WIRE FIELD WIRE FIELD WIRE FIELD WIRE FIELD WIRE FIELD FROM POWER SUPPLY CONN. TO BASIS BOARD TAPE DECK P01 CENTRAL PROCESSOR UNIT CPU POWER CONTROL TO POWER FAIL CONTROL CONNECTOR AC CONTROL CONNECTOR	J22 J69 P58 P59 BACKP.AS1 BACKP.AS1	1.820.781.00 54.25.0308 54.25.0310 1.862.655.00 54.25.0308

* STUDER REVOX AG * S I G N A L W I R E L I S T * 91/02/19 * 11:24 * P A G E 529 *

 * 1.862.010.00 D820-48 PCM TAPE - RECORDER * 90/03/21 - 00 *

SIGNAL NAME	COLOR	MI	ASY	GRP	ELM	PNT	S	LV	TYPE	DESCRIPTION OF ELEMENT	REMARK	ELEMENT NR.
<<-- CONT.OF T-PHWRN	5 5		7	10	5	5			BX BX	AC CONTROL CONNECTOR DC OUTPUT TO TAPE DECK POWER FAIL CONTROL CONNECTOR		54.25.0308 54.25.0308
T-REFEX			1	1	10	21				CLOCK CONNECTOR CONVERTER RS422/TTL CLOCK CONNECTOR CLOCK CONNECTOR CIRCUIT DIAGRAM SIGNAL NAMES P01 SYNCHRONIZER	J10 J15 P54 P01 P27	1.862.715.00 54.14.2003
			1	20	15	11A				RT+TC CLOCKS CLOCK-CONNECTOR RT+TC CLOCKS CLOCK-CONNECTOR	BACKP.AS1 BACKP.AS1 BACKP.AS2 TD&HD-IF	1.862.659.00
			3A	1S	41A	25A						
			3A	10S	43	15						
			4A	10S	12	21						
			4A	10S	13	15						
			5D	1	10	21						
T-REFEXS			1	20	15	14A				CONVERTER RS422/TTL CONNECTOR REMOTE CTR IF CONNECTOR REMOTE CTR IF	J15 P53 P27	1.862.715.00 54.14.2004
T-REFEXT			1	20	15	24B				CONVERTER RS422/TTL CAPSTAN INTERFACE	J15 J18	1.862.715.00 1.820.727.00
T-REFINT			1	20	15	24A				CONVERTER RS422/TTL CAPSTAN INTERFACE	J15 J18	1.862.715.00 1.820.727.00
T-RESET			1	27	1	24				TO GRP26, ELM01 (SERIAL REM. IF) P01		
T-RLO			1	27	1	4				TO GRP26, ELM01 (SERIAL REM. IF) P01		
T-RL1			1	27	1	5				TO GRP26, ELM01 (SERIAL REM. IF) P01		
T-RL2			1	27	1	26				TO GRP26, ELM01 (SERIAL REM. IF) P01		
T-RL3			1	27	1	25				TO GRP26, ELM01 (SERIAL REM. IF) P01		
T-RL4			1	27	1	23				TO GRP26, ELM01 (SERIAL REM. IF) P01		
T-RL5			1	27	1	22				TO GRP26, ELM01 (SERIAL REM. IF) P01		
T-RL6			1	27	1	19				TO GRP26, ELM01 (SERIAL REM. IF) P01		
T-RL7			1	27	1	18				TO GRP26, ELM01 (SERIAL REM. IF) P01		
T-SL0			1	27	1	16				TO GRP26, ELM01 (SERIAL REM. IF) P01		
T-SL1			1	27	1	17				TO GRP26, ELM01 (SERIAL REM. IF) P01		
T-SL2			1	27	1	21				TO GRP26, ELM01 (SERIAL REM. IF) P01		
T-SL3			1	27	1	6				TO GRP26, ELM01 (SERIAL REM. IF) P01		
T-SPDSL1			1	39	1	11				FROM GRP20, ELM56 (BASIS B. TD) P01		
T-SPDSL2			1	39	1	12				FROM GRP20, ELM56 (BASIS B. TD) P01		

 * STUDER REVOX AG * S I G N A L W I R E L I S T * 91/02/19 * 11:24 * P A G E 530 *

 * 1.862.010.00 D820-48 PCM TAPE - RECORDER * 90/03/21 - 00 *

SIGNAL NAME	COLOR	MI	ASY	GRP	ELM	PNT	S	LV	TYPE	DESCRIPTION OF ELEMENT	REMARK	ELEMENT NR.
T-SUPVON			1	20	19	10B				TAPE DECK PERIPHERY CONTR. FUSE FAILURE DETECTOR FROM GRP20, ELM63 (BASIS B. TD) P01	J19 P63 P01	1.820.762.00
TA-CH01			1	1	1	1				AUDIO DATA OUTPUT, CH 01 TO 08 EQUALIZER CH 1 TO CH 8 AUDIO DATA OUTPUT, CH 01 TO 08 P02 MAPRO A-GR1 (CH 01-08) TA (MAPRO IN) A-GR.1/CHANNEL TA (MAPRO IN) A-GR.1/CHANNEL	J01 J01 P21 1-8 1-8	1.862.721.00 54.14.2002 1.862.652.00
			3A	1	12A	3A					BACKP.AS1 BACKP.AS1 TD&HD-IF	
			3A	11	12	1						
			5D	1	1	1						
TA-CH02			1	1	1	3				AUDIO DATA OUTPUT, CH 01 TO 08 EQUALIZER CH 1 TO CH 8 AUDIO DATA OUTPUT, CH 01 TO 08 P02 MAPRO A-GR1 (CH 01-08) TA (MAPRO IN) A-GR.1/CHANNEL TA (MAPRO IN) A-GR.1/CHANNEL	J01 J01 P21 1-8 1-8	1.862.721.00 54.14.2002 1.862.652.00
			3A	1	12A	4A					BACKP.AS1 BACKP.AS1 TD&HD-IF	
			3A	11	12	3						
			5D	1	1	3						
TA-CH03			1	1	1	5				AUDIO DATA OUTPUT, CH 01 TO 08 EQUALIZER CH 1 TO CH 8 AUDIO DATA OUTPUT, CH 01 TO 08 P02 MAPRO A-GR1 (CH 01-08) TA (MAPRO IN) A-GR.1/CHANNEL TA (MAPRO IN) A-GR.1/CHANNEL	J01 J01 P21 1-8 1-8	1.862.721.00 54.14.2002 1.862.652.00
			3A	1	12A	5A					BACKP.AS1 BACKP.AS1 TD&HD-IF	
			3A	11	12	5						
			5D	1	1	5						
TA-CH04			1	1	1	7				AUDIO DATA OUTPUT, CH 01 TO 08 EQUALIZER CH 1 TO CH 8 AUDIO DATA OUTPUT, CH 01 TO 08 P02 MAPRO A-GR1 (CH 01-08) TA (MAPRO IN) A-GR.1/CHANNEL TA (MAPRO IN) A-GR.1/CHANNEL	J01 J01 P21 1-8 1-8	1.862.721.00 54.14.2002 1.862.652.00
			3A	1	12A	6A					BACKP.AS1 BACKP.AS1 TD&HD-IF	
			3A	11	12	7						
			5D	1	1	7						
TA-CH05			1	1	1	9				AUDIO DATA OUTPUT, CH 01 TO 08 EQUALIZER CH 1 TO CH 8 AUDIO DATA OUTPUT, CH 01 TO 08 P02 MAPRO A-GR1 (CH 01-08) TA (MAPRO IN) A-GR.1/CHANNEL TA (MAPRO IN) A-GR.1/CHANNEL	J01 J01 P21 1-8 1-8	1.862.721.00 54.14.2002 1.862.652.00
			3A	1	12A	7A					BACKP.AS1 BACKP.AS1 TD&HD-IF	
			3A	11	12	9						
			5D	1	1	9						
TA-CH06			1	1	1	11				AUDIO DATA OUTPUT, CH 01 TO 08 EQUALIZER CH 1 TO CH 8 AUDIO DATA OUTPUT, CH 01 TO 08 P02 MAPRO A-GR1 (CH 01-08) TA (MAPRO IN) A-GR.1/CHANNEL TA (MAPRO IN) A-GR.1/CHANNEL	J01 J01 P21 1-8 1-8	1.862.721.00 54.14.2002 1.862.652.00
			3A	1	12A	8A					BACKP.AS1 BACKP.AS1 TD&HD-IF	
			3A	11	12	11						
			5D	1	1	11						
TA-CH07			1	1	1	13				AUDIO DATA OUTPUT, CH 01 TO 08 EQUALIZER CH 1 TO CH 8 AUDIO DATA OUTPUT, CH 01 TO 08 P02 MAPRO A-GR1 (CH 01-08) TA (MAPRO IN) A-GR.1/CHANNEL TA (MAPRO IN) A-GR.1/CHANNEL	J01 J01 P21 1-8 1-8	1.862.721.00 54.14.2002 1.862.652.00
			3A	1	12A	9A					BACKP.AS1 BACKP.AS1 TD&HD-IF	
			3A	11	12	13						
			5D	1	1	13						

STUDER D820 MCH

* STUDER REVOX AG * S I G N A L W I R E L I S T * 91/02/19 * 11:24 * P A G E 531 *

* 1.862.010.00 D820-48 PCM TAPE - RECORDER * 90/03/21 - 00 *

SIGNAL NAME	COLOR	MI	ASY	GRP	ELM	PNT	S	LV	TYPE	DESCRIPTION OF ELEMENT	REMARK	ELEMENT NR.
TA-CH08			1	1	1	15				AUDIO DATA OUTPUT, CH 01 TO 08	J01	
			1	10	1	32B				EQUALIZER CH 1 TO CH 8	J01	1.862.721.00
			1	10	21	15				AUDIO DATA OUTPUT, CH 01 TO 08	P21	54.14.2002
			3A	1	12A	10A				PO2 MAPRO A-GR1 (CH 01-08)		1.862.652.00
			3A	11	12	15				TA (MAPRO IN) A-GR.1/CHANNEL	1- 8	
		5D	1	1	15				TA (MAPRO IN) A-GR.1/CHANNEL	1- 8	TD&HD-IF	
TA-CH09			1	2	1	1				AUDIO DATA OUTPUT, CH 09 TO 16	J01	
			1	10	2	25B				EQUALIZER CH 9 TO CH 16	J02	1.862.721.00
			1	10	22	1				AUDIO DATA OUTPUT, CH 09 TO 16	P22	54.14.2002
			3B	2	12A	3A				PO2 MAPRO A-GR2 (CH 09-16)		1.862.652.00
			3B	10	12	1				TA (MAPRO IN) A-GR.2/CHANNEL	9-16	
		5D	2	1	1				TA (MAPRO IN) A-GR.2/CHANNEL	9-16	TD&HD-IF	
TA-CH10			1	2	1	3				AUDIO DATA OUTPUT, CH 09 TO 16	J01	
			1	10	2	26B				EQUALIZER CH 9 TO CH 16	J02	1.862.721.00
			1	10	22	3				AUDIO DATA OUTPUT, CH 09 TO 16	P22	54.14.2002
			3B	2	12A	4A				PO2 MAPRO A-GR2 (CH 09-16)		1.862.652.00
			3B	10	12	3				TA (MAPRO IN) A-GR.2/CHANNEL	9-16	
		5D	2	1	3				TA (MAPRO IN) A-GR.2/CHANNEL	9-16	TD&HD-IF	
TA-CH11			1	2	1	5				AUDIO DATA OUTPUT, CH 09 TO 16	J01	
			1	10	2	27B				EQUALIZER CH 9 TO CH 16	J02	1.862.721.00
			1	10	22	5				AUDIO DATA OUTPUT, CH 09 TO 16	P22	54.14.2002
			3B	2	12A	5A				PO2 MAPRO A-GR2 (CH 09-16)		1.862.652.00
			3B	10	12	5				TA (MAPRO IN) A-GR.2/CHANNEL	9-16	
		5D	2	1	5				TA (MAPRO IN) A-GR.2/CHANNEL	9-16	TD&HD-IF	
TA-CH12			1	2	1	7				AUDIO DATA OUTPUT, CH 09 TO 16	J01	
			1	10	2	28B				EQUALIZER CH 9 TO CH 16	J02	1.862.721.00
			1	10	22	7				AUDIO DATA OUTPUT, CH 09 TO 16	P22	54.14.2002
			3B	2	12A	6A				PO2 MAPRO A-GR2 (CH 09-16)		1.862.652.00
			3B	10	12	7				TA (MAPRO IN) A-GR.2/CHANNEL	9-16	
		5D	2	1	7				TA (MAPRO IN) A-GR.2/CHANNEL	9-16	TD&HD-IF	
TA-CH13			1	2	1	9				AUDIO DATA OUTPUT, CH 09 TO 16	J01	
			1	10	2	29B				EQUALIZER CH 9 TO CH 16	J02	1.862.721.00
			1	10	22	9				AUDIO DATA OUTPUT, CH 09 TO 16	P22	54.14.2002
			3B	2	12A	7A				PO2 MAPRO A-GR2 (CH 09-16)		1.862.652.00
			3B	10	12	9				TA (MAPRO IN) A-GR.2/CHANNEL	9-16	
		5D	2	1	9				TA (MAPRO IN) A-GR.2/CHANNEL	9-16	TD&HD-IF	
TA-CH14			1	2	1	11				AUDIO DATA OUTPUT, CH 09 TO 16	J01	
			1	10	2	30B				EQUALIZER CH 9 TO CH 16	J02	1.862.721.00
			1	10	22	11				AUDIO DATA OUTPUT, CH 09 TO 16	P22	54.14.2002
			3B	2	12A	8A				PO2 MAPRO A-GR2 (CH 09-16)		1.862.652.00
			3B	10	12	11				TA (MAPRO IN) A-GR.2/CHANNEL	9-16	
		5D	2	1	11				TA (MAPRO IN) A-GR.2/CHANNEL	9-16	TD&HD-IF	
TA-CH15			1	2	1	13				AUDIO DATA OUTPUT, CH 09 TO 16	J01	
			1	10	2	31B				EQUALIZER CH 9 TO CH 16	J02	1.862.721.00
			1	10	22	13				AUDIO DATA OUTPUT, CH 09 TO 16	P22	54.14.2002
			3B	2	12A	9A				PO2 MAPRO A-GR2 (CH 09-16)		1.862.652.00
			3B	10	12	13				TA (MAPRO IN) A-GR.2/CHANNEL	9-16	
		5D	2	1	13				TA (MAPRO IN) A-GR.2/CHANNEL	9-16	TD&HD-IF	

* STUDER REVOX AG * S I G N A L W I R E L I S T * 91/02/19 * 11:24 * P A G E 532 *

* 1.862.010.00 D820-48 PCM TAPE - RECORDER * 90/03/21 - 00 *

SIGNAL NAME	COLOR	MI	ASY	GRP	ELM	PNT	S	LV	TYPE	DESCRIPTION OF ELEMENT	REMARK	ELEMENT NR.
TA-CH16			1	2	1	15				AUDIO DATA OUTPUT, CH 09 TO 16	J01	
			1	10	2	32B				EQUALIZER CH 9 TO CH 16	J02	1.862.721.00
			1	10	22	15				AUDIO DATA OUTPUT, CH 09 TO 16	P22	54.14.2002
			3B	2	12A	10A				PO2 MAPRO A-GR2 (CH 09-16)		1.862.652.00
			3B	10	12	15				TA (MAPRO IN) A-GR.2/CHANNEL	9-16	
		5D	2	1	15				TA (MAPRO IN) A-GR.2/CHANNEL	9-16	TD&HD-IF	
TA-CH17			1	2	3	1				AUDIO DATA OUTPUT, CH 17 TO 24	J03	
			1	10	3	25B				EQUALIZER CH 17 TO CH 24	J03	1.862.721.00
			1	10	23	1				AUDIO DATA OUTPUT, CH 17 TO 24	P23	54.14.2002
			3B	3	12A	3A				PO2 MAPRO A-GR3 (CH 17-24)		1.862.652.00
			3B	11	12	1				TA (MAPRO IN) A-GR.3/CHANNEL	17-24	
		5D	2	3	1				TA (MAPRO IN) A-GR.3/CHANNEL	17-24	TD&HD-IF	
TA-CH18			1	2	3	3				AUDIO DATA OUTPUT, CH 17 TO 24	J03	
			1	10	3	26B				EQUALIZER CH 17 TO CH 24	J03	1.862.721.00
			1	10	23	3				AUDIO DATA OUTPUT, CH 17 TO 24	P23	54.14.2002
			3B	3	12A	4A				PO2 MAPRO A-GR3 (CH 17-24)		1.862.652.00
			3B	11	12	3				TA (MAPRO IN) A-GR.3/CHANNEL	17-24	
		5D	2	3	3				TA (MAPRO IN) A-GR.3/CHANNEL	17-24	TD&HD-IF	
TA-CH19			1	2	3	5				AUDIO DATA OUTPUT, CH 17 TO 24	J03	
			1	10	3	27B				EQUALIZER CH 17 TO CH 24	J03	1.862.721.00
			1	10	23	5				AUDIO DATA OUTPUT, CH 17 TO 24	P23	54.14.2002
			3B	3	12A	5A				PO2 MAPRO A-GR3 (CH 17-24)		1.862.652.00
			3B	11	12	5				TA (MAPRO IN) A-GR.3/CHANNEL	17-24	
		5D	2	3	5				TA (MAPRO IN) A-GR.3/CHANNEL	17-24	TD&HD-IF	
TA-CH20			1	2	3	7				AUDIO DATA OUTPUT, CH 17 TO 24	J03	
			1	10	3	28B				EQUALIZER CH 17 TO CH 24	J03	1.862.721.00
			1	10	23	7				AUDIO DATA OUTPUT, CH 17 TO 24	P23	54.14.2002
			3B	3	12A	6A				PO2 MAPRO A-GR3 (CH 17-24)		1.862.652.00
			3B	11	12	7				TA (MAPRO IN) A-GR.3/CHANNEL	17-24	
		5D	2	3	7				TA (MAPRO IN) A-GR.3/CHANNEL	17-24	TD&HD-IF	
TA-CH21			1	2	3	9				AUDIO DATA OUTPUT, CH 17 TO 24	J03	
			1	10	3	29B				EQUALIZER CH 17 TO CH 24	J03	1.862.721.00
			1	10	23	9				AUDIO DATA OUTPUT, CH 17 TO 24	P23	54.14.2002
			3B	3	12A	7A				PO2 MAPRO A-GR3 (CH 17-24)		1.862.652.00
			3B	11	12	9				TA (MAPRO IN) A-GR.3/CHANNEL	17-24	
		5D	2	3	9				TA (MAPRO IN) A-GR.3/CHANNEL	17-24	TD&HD-IF	
TA-CH22			1	2	3	11				AUDIO DATA OUTPUT, CH 17 TO 24	J03	
			1	10	3	30B				EQUALIZER CH 17 TO CH 24	J03	1.862.721.00
			1	10	23	11				AUDIO DATA OUTPUT, CH 17 TO 24	P23	54.14.2002
			3B	3	12A	8A				PO2 MAPRO A-GR3 (CH 17-24)		1.862.652.00
			3B	11	12	11				TA (MAPRO IN) A-GR.3/CHANNEL	17-24	
		5D	2	3	11				TA (MAPRO IN) A-GR.3/CHANNEL	17-24	TD&HD-IF	
TA-CH23			1	2	3	13				AUDIO DATA OUTPUT, CH 17 TO 24	J03	
			1	10	3	31B				EQUALIZER CH 17 TO CH 24	J03	1.862.721.00
			1	10	23	13				AUDIO DATA OUTPUT, CH 17 TO 24	P23	54.14.2002
			3B	3	12A	9A				PO2 MAPRO A-GR3 (CH 17-24)		1.862.652.00
			3B	11	12	13				TA (MAPRO IN) A-GR.3/CHANNEL	17-24	
		5D	2	3	13				TA (MAPRO IN) A-GR.3/CHANNEL	17-24	TD&HD-IF	

STUDER D820 MCH

SIGNAL NAME	COLOR	MI	ASY	GRP	ELM	PNT	S	LV	TYPE	DESCRIPTION OF ELEMENT	REMARK	ELEMENT NR.
TA-CH40			1	2	5	15				AUDIO DATA OUTPUT, CH 33 TO 40	J05	
			1	10	5	32B				EQUALIZER CH 33 TO CH 40	J05	1.862.721.00
			1	10	25	15				AUDIO DATA OUTPUT, CH 33 TO 40	P25	54.14.2002
			4B	5	12A	10A				P02 MAPRO A-GR5 (CH 33-40)	BACKP.AA2	1.862.652.00
			4B	10	12	15				TA (MAPRO IN) A-GR.5/CHANNEL	33-40	
			5D	2	5	15				TA (MAPRO IN) A-GR.5/CHANNEL	33-40	
TA-CH41			1	2	7	1				AUDIO DATA OUTPUT, CH 41 TO 48	J07	
			1	10	6	25B				EQUALIZER CH 41 TO CH 48	J06	1.862.721.00
			1	10	26	1				AUDIO DATA OUTPUT, CH 41 TO 48	P26	54.14.2002
			4B	6	12A	3A				P02 MAPRO A-GR6 (CH 41-48)	BACKP.AA2	1.862.652.00
			4B	11	12	1				TA (MAPRO IN) A-GR.6/CHANNEL	41-48	
			5D	2	7	1				TA (MAPRO IN) A-GR.6/CHANNEL	41-48	
TA-CH42			1	2	7	3				AUDIO DATA OUTPUT, CH 41 TO 48	J07	
			1	10	6	26B				EQUALIZER CH 41 TO CH 48	J06	1.862.721.00
			1	10	26	3				AUDIO DATA OUTPUT, CH 41 TO 48	P26	54.14.2002
			4B	6	12A	4A				P02 MAPRO A-GR6 (CH 41-48)	BACKP.AA2	1.862.652.00
			4B	11	12	3				TA (MAPRO IN) A-GR.6/CHANNEL	41-48	
			5D	2	7	3				TA (MAPRO IN) A-GR.6/CHANNEL	41-48	
TA-CH43			1	2	7	5				AUDIO DATA OUTPUT, CH 41 TO 48	J07	
			1	10	6	27B				EQUALIZER CH 41 TO CH 48	J06	1.862.721.00
			1	10	26	5				AUDIO DATA OUTPUT, CH 41 TO 48	P26	54.14.2002
			4B	6	12A	5A				P02 MAPRO A-GR6 (CH 41-48)	BACKP.AA2	1.862.652.00
			4B	11	12	5				TA (MAPRO IN) A-GR.6/CHANNEL	41-48	
			5D	2	7	5				TA (MAPRO IN) A-GR.6/CHANNEL	41-48	
TA-CH44			1	2	7	7				AUDIO DATA OUTPUT, CH 41 TO 48	J07	
			1	10	6	28B				EQUALIZER CH 41 TO CH 48	J06	1.862.721.00
			1	10	26	7				AUDIO DATA OUTPUT, CH 41 TO 48	P26	54.14.2002
			4B	6	12A	6A				P02 MAPRO A-GR6 (CH 41-48)	BACKP.AA2	1.862.652.00
			4B	11	12	7				TA (MAPRO IN) A-GR.6/CHANNEL	41-48	
			5D	2	7	7				TA (MAPRO IN) A-GR.6/CHANNEL	41-48	
TA-CH45			1	2	7	9				AUDIO DATA OUTPUT, CH 41 TO 48	J07	
			1	10	6	29B				EQUALIZER CH 41 TO CH 48	J06	1.862.721.00
			1	10	26	9				AUDIO DATA OUTPUT, CH 41 TO 48	P26	54.14.2002
			4B	6	12A	7A				P02 MAPRO A-GR6 (CH 41-48)	BACKP.AA2	1.862.652.00
			4B	11	12	9				TA (MAPRO IN) A-GR.6/CHANNEL	41-48	
			5D	2	7	9				TA (MAPRO IN) A-GR.6/CHANNEL	41-48	
TA-CH46			1	2	7	11				AUDIO DATA OUTPUT, CH 41 TO 48	J07	
			1	10	6	30B				EQUALIZER CH 41 TO CH 48	J06	1.862.721.00
			1	10	26	11				AUDIO DATA OUTPUT, CH 41 TO 48	P26	54.14.2002
			4B	6	12A	8A				P02 MAPRO A-GR6 (CH 41-48)	BACKP.AA2	1.862.652.00
			4B	11	12	11				TA (MAPRO IN) A-GR.6/CHANNEL	41-48	
			5D	2	7	11				TA (MAPRO IN) A-GR.6/CHANNEL	41-48	
TA-CH47			1	2	7	13				AUDIO DATA OUTPUT, CH 41 TO 48	J07	
			1	10	6	31B				EQUALIZER CH 41 TO CH 48	J06	1.862.721.00
			1	10	26	13				AUDIO DATA OUTPUT, CH 41 TO 48	P26	54.14.2002
			4B	6	12A	9A				P02 MAPRO A-GR6 (CH 41-48)	BACKP.AA2	1.862.652.00
			4B	11	12	13				TA (MAPRO IN) A-GR.6/CHANNEL	41-48	
			5D	2	7	13				TA (MAPRO IN) A-GR.6/CHANNEL	41-48	

* STUDER REVOX AG * S I G N A L W I R E L I S T * 91/02/19 * 11:24 * PAGE 536 *

* 1.862.010.00 D820-48 PCM TAPE - RECORDER * 90/03/21 - 00 *

SIGNAL NAME	COLOR	MI	ASY	GRP	ELM	PNT	S	LV	TYPE	DESCRIPTION OF ELEMENT	REMARK	ELEMENT NR.
TA-CH48			1	2	7	15				AUDIO DATA OUTPUT, CH 41 TO 48	J07	
			1	10	6	32B				EQUALIZER CH 41 TO CH 48	J06	1.862.721.00
			1	10	26	15				AUDIO DATA OUTPUT, CH 41 TO 48	P26	54.14.2002
			4B	6	12A	10A				P02 MAPRO A-GR6 (CH 41-48)	BACKP.AA2	1.862.652.00
			4B	11	12	15				TA (MAPRO IN) A-GR.6/CHANNEL	41-48	
			5D	2	7	15				TA (MAPRO IN) A-GR.6/CHANNEL	41-48	
TA-CUE1			1	1	5	7				DATA CUE1 + CUE2	J05	
			1	10	28	7				DATA CUE1 + CUE2	P28	54.14.2001
			1	21	17	7				DATA CUE1 + CUE2	P17	
TA-CUE2			1	1	5	9				DATA CUE1 + CUE2	J05	
			1	10	28	9				DATA CUE1 + CUE2	P28	54.14.2001
			1	21	17	9				DATA CUE1 + CUE2	P17	
TA-ICH01			1	1	1	2				AUDIO DATA OUTPUT, CH 01 TO 08	J01	
			1	10	1	25C				EQUALIZER CH 1 TO CH 8	J01	1.862.721.00
			1	10	21	2				AUDIO DATA OUTPUT, CH 01 TO 08	P21	54.14.2002
			3A	1	12C	3C				P02 MAPRO A-GR1 (CH 01-08)	BACKP.AS1	1.862.652.00
			3A	11	12	2				TA (MAPRO IN) A-GR.1/CHANNEL	1- 8	
			5D	1	1	2				TA (MAPRO IN) A-GR.1/CHANNEL	1- 8	
TA-ICH02			1	1	1	4				AUDIO DATA OUTPUT, CH 01 TO 08	J01	
			1	10	1	26C				EQUALIZER CH 1 TO CH 8	J01	1.862.721.00
			1	10	21	4				AUDIO DATA OUTPUT, CH 01 TO 08	P21	54.14.2002
			3A	1	12C	4C				P02 MAPRO A-GR1 (CH 01-08)	BACKP.AS1	1.862.652.00
			3A	11	12	4				TA (MAPRO IN) A-GR.1/CHANNEL	1- 8	
			5D	1	1	4				TA (MAPRO IN) A-GR.1/CHANNEL	1- 8	
TA-ICH03			1	1	1	6				AUDIO DATA OUTPUT, CH 01 TO 08	J01	
			1	10	1	27C				EQUALIZER CH 1 TO CH 8	J01	1.862.721.00
			1	10	21	6				AUDIO DATA OUTPUT, CH 01 TO 08	P21	54.14.2002
			3A	1	12C	5C				P02 MAPRO A-GR1 (CH 01-08)	BACKP.AS1	1.862.652.00
			3A	11	12	6				TA (MAPRO IN) A-GR.1/CHANNEL	1- 8	
			5D	1	1	6				TA (MAPRO IN) A-GR.1/CHANNEL	1- 8	
TA-ICH04			1	1	1	8				AUDIO DATA OUTPUT, CH 01 TO 08	J01	
			1	10	1	28C				EQUALIZER CH 1 TO CH 8	J01	1.862.721.00
			1	10	21	8				AUDIO DATA OUTPUT, CH 01 TO 08	P21	54.14.2002
			3A	1	12C	6C				P02 MAPRO A-GR1 (CH 01-08)	BACKP.AS1	1.862.652.00
			3A	11	12	8				TA (MAPRO IN) A-GR.1/CHANNEL	1- 8	
			5D	1	1	8				TA (MAPRO IN) A-GR.1/CHANNEL	1- 8	
TA-ICH05			1	1	1	10				AUDIO DATA OUTPUT, CH 01 TO 08	J01	
			1	10	1	29C				EQUALIZER CH 1 TO CH 8	J01	1.862.721.00
			1	10	21	10				AUDIO DATA OUTPUT, CH 01 TO 08	P21	54.14.2002
			3A	1	12C	7C				P02 MAPRO A-GR1 (CH 01-08)	BACKP.AS1	1.862.652.00
			3A	11	12	10				TA (MAPRO IN) A-GR.1/CHANNEL	1- 8	
			5D	1	1	10				TA (MAPRO IN) A-GR.1/CHANNEL	1- 8	
TA-ICH06			1	1	1	12				AUDIO DATA OUTPUT, CH 01 TO 08	J01	
			1	10	1	30C				EQUALIZER CH 1 TO CH 8	J01	1.862.721.00
			1	10	21	12				AUDIO DATA OUTPUT, CH 01 TO 08	P21	54.14.2002
			3A	1	12C	8C				P02 MAPRO A-GR1 (CH 01-08)	BACKP.AS1	1.862.652.00
			3A	11	12	12				TA (MAPRO IN) A-GR.1/CHANNEL	1- 8	
			5D	1	1	12				TA (MAPRO IN) A-GR.1/CHANNEL	1- 8	

* STUDER REVOX AG * S I G N A L W I R E L I S T * 91/02/19 * 11:24 * PAGE 537 *

* 1.862.010.00 D820-48 PCM TAPE - RECORDER * 90/03/21 - 00 *

Table with columns: SIGNAL NAME, COLOR, MI, ASY GRP, ELM, PNT, S, LV, TYPE, DESCRIPTION OF ELEMENT, REMARK, ELEMENT NR. Rows include TA-ICH07 through TA-ICH14.

* STUDER REVOX AG * S I G N A L W I R E L I S T * 91/02/19 * 11:24 * PAGE 538 *

* 1.862.010.00 D820-48 PCM TAPE - RECORDER * 90/03/21 - 00 *

Table with columns: SIGNAL NAME, COLOR, MI, ASY GRP, ELM, PNT, S, LV, TYPE, DESCRIPTION OF ELEMENT, REMARK, ELEMENT NR. Rows include TA-ICH15 through TA-ICH22.

STUDER D820 MCH

* STUDER REVOX AG * S I G N A L W I R E L I S T * 91/02/19 * 11:24 * P A G E 539 *

 * 1.862.010.00 D820-48 PCM TAPE - RECORDER * 90/03/21 - 00 *

SIGNAL NAME	COLOR	MI	ASY GRP	ELM PNT	S LV	TYPE	DESCRIPTION OF ELEMENT	REMARK	ELEMENT NR.	
TA-ICH23				1 2 3 14			AUDIO DATA OUTPUT, CH 17 TO 24	J03		
				1 10 3 31C			EQUALIZER CH 17 TO CH 24	J03		
				1 10 23 14			AUDIO DATA OUTPUT, CH 17 TO 24	P23		1.862.721.00
				3B 3 12C 9C			P02 MAPRO A-GR3 (CH 17-24)		BACKP. AA1	54.14.2002
				3B 11 12 14			TA (MAPRO IN) A-GR.3/CHANNEL 17-24		BACKP. AA1	1.862.652.00
			5D 2 3 14			TA (MAPRO IN) A-GR.3/CHANNEL 17-24	TD&HD-IF			
TA-ICH24				1 2 3 16			AUDIO DATA OUTPUT, CH 17 TO 24	J03		
				1 10 3 32C			EQUALIZER CH 17 TO CH 24	J03		
				1 10 23 16			AUDIO DATA OUTPUT, CH 17 TO 24	P23		1.862.721.00
				3B 3 12C 10C			P02 MAPRO A-GR3 (CH 17-24)		BACKP. AA1	54.14.2002
				3B 11 12 16			TA (MAPRO IN) A-GR.3/CHANNEL 17-24		BACKP. AA1	1.862.652.00
			5D 2 3 16			TA (MAPRO IN) A-GR.3/CHANNEL 17-24	TD&HD-IF			
TA-ICH25				1 1 3 2			AUDIO DATA OUTPUT, CH 25 TO 32	J03		
				1 10 4 25C			EQUALIZER CH 25 TO CH 32	J04		
				1 10 24 2			AUDIO DATA OUTPUT, CH 25 TO 32	P24		1.862.721.00
				4A 4 12C 3C			P02 MAPRO A GR4 (CH 25-32)		BACKP. AS2	54.14.2002
				4A 11 12 2			TA (MAPRO IN) A-GR.4/CHANNEL 25-32		BACKP. AS2	1.862.652.00
			5D 1 3 2			TA (MAPRO IN) A-GR.4/CHANNEL 25-32	TD&HD-IF			
TA-ICH26				1 1 3 4			AUDIO DATA OUTPUT, CH 25 TO 32	J03		
				1 10 4 26C			EQUALIZER CH 25 TO CH 32	J04		
				1 10 24 4			AUDIO DATA OUTPUT, CH 25 TO 32	P24		1.862.721.00
				4A 4 12C 4C			P02 MAPRO A GR4 (CH 25-32)		BACKP. AS2	54.14.2002
				4A 11 12 4			TA (MAPRO IN) A-GR.4/CHANNEL 25-32		BACKP. AS2	1.862.652.00
			5D 1 3 4			TA (MAPRO IN) A-GR.4/CHANNEL 25-32	TD&HD-IF			
TA-ICH27				1 1 3 6			AUDIO DATA OUTPUT, CH 25 TO 32	J03		
				1 10 4 27C			EQUALIZER CH 25 TO CH 32	J04		
				1 10 24 6			AUDIO DATA OUTPUT, CH 25 TO 32	P24		1.862.721.00
				4A 4 12C 5C			P02 MAPRO A GR4 (CH 25-32)		BACKP. AS2	54.14.2002
				4A 11 12 6			TA (MAPRO IN) A-GR.4/CHANNEL 25-32		BACKP. AS2	1.862.652.00
			5D 1 3 6			TA (MAPRO IN) A-GR.4/CHANNEL 25-32	TD&HD-IF			
TA-ICH28				1 1 3 8			AUDIO DATA OUTPUT, CH 25 TO 32	J03		
				1 10 4 28C			EQUALIZER CH 25 TO CH 32	J04		
				1 10 24 8			AUDIO DATA OUTPUT, CH 25 TO 32	P24		1.862.721.00
				4A 4 12C 6C			P02 MAPRO A GR4 (CH 25-32)		BACKP. AS2	54.14.2002
				4A 11 12 8			TA (MAPRO IN) A-GR.4/CHANNEL 25-32		BACKP. AS2	1.862.652.00
			5D 1 3 8			TA (MAPRO IN) A-GR.4/CHANNEL 25-32	TD&HD-IF			
TA-ICH29				1 1 3 10			AUDIO DATA OUTPUT, CH 25 TO 32	J03		
				1 10 4 29C			EQUALIZER CH 25 TO CH 32	J04		
				1 10 24 10			AUDIO DATA OUTPUT, CH 25 TO 32	P24		1.862.721.00
				4A 4 12C 7C			P02 MAPRO A GR4 (CH 25-32)		BACKP. AS2	54.14.2002
				4A 11 12 10			TA (MAPRO IN) A-GR.4/CHANNEL 25-32		BACKP. AS2	1.862.652.00
			5D 1 3 10			TA (MAPRO IN) A-GR.4/CHANNEL 25-32	TD&HD-IF			
TA-ICH30				1 1 3 12			AUDIO DATA OUTPUT, CH 25 TO 32	J03		
				1 10 4 30C			EQUALIZER CH 25 TO CH 32	J04		
				1 10 24 12			AUDIO DATA OUTPUT, CH 25 TO 32	P24		1.862.721.00
				4A 4 12C 8C			P02 MAPRO A GR4 (CH 25-32)		BACKP. AS2	54.14.2002
				4A 11 12 12			TA (MAPRO IN) A-GR.4/CHANNEL 25-32		BACKP. AS2	1.862.652.00
			5D 1 3 12			TA (MAPRO IN) A-GR.4/CHANNEL 25-32	TD&HD-IF			

 * STUDER REVOX AG * S I G N A L W I R E L I S T * 91/02/19 * 11:24 * P A G E 540 *

 * 1.862.010.00 D820-48 PCM TAPE - RECORDER * 90/03/21 - 00 *

SIGNAL NAME	COLOR	MI	ASY GRP	ELM PNT	S LV	TYPE	DESCRIPTION OF ELEMENT	REMARK	ELEMENT NR.	
TA-ICH31				1 1 3 14			AUDIO DATA OUTPUT, CH 25 TO 32	J03		
				1 10 4 31C			EQUALIZER CH 25 TO CH 32	J04		
				1 10 24 14			AUDIO DATA OUTPUT, CH 25 TO 32	P24		1.862.721.00
				4A 4 12C 9C			P02 MAPRO A GR4 (CH 25-32)		BACKP. AS2	54.14.2002
				4A 11 12 14			TA (MAPRO IN) A-GR.4/CHANNEL 25-32		BACKP. AS2	1.862.652.00
			5D 1 3 14			TA (MAPRO IN) A-GR.4/CHANNEL 25-32	TD&HD-IF			
TA-ICH32				1 1 3 16			AUDIO DATA OUTPUT, CH 25 TO 32	J03		
				1 10 4 32C			EQUALIZER CH 25 TO CH 32	J04		
				1 10 24 16			AUDIO DATA OUTPUT, CH 25 TO 32	P24		1.862.721.00
				4A 4 12C 10C			P02 MAPRO A GR4 (CH 25-32)		BACKP. AS2	54.14.2002
				4A 11 12 16			TA (MAPRO IN) A-GR.4/CHANNEL 25-32		BACKP. AS2	1.862.652.00
			5D 1 3 16			TA (MAPRO IN) A-GR.4/CHANNEL 25-32	TD&HD-IF			
TA-ICH33				1 2 5 2			AUDIO DATA OUTPUT, CH 33 TO 40	J05		
				1 10 5 25C			EQUALIZER CH 33 TO CH 40	J05		
				1 10 25 2			AUDIO DATA OUTPUT, CH 33 TO 40	P25		1.862.721.00
				4B 5 12C 3C			P02 MAPRO A-GR5 (CH 33-40)		BACKP. AA2	54.14.2002
				4B 10 12 2			TA (MAPRO IN) A-GR.5/CHANNEL 33-40		BACKP. AA2	1.862.652.00
			5D 2 5 2			TA (MAPRO IN) A-GR.5/CHANNEL 33-40	TD&HD-IF			
TA-ICH34				1 2 5 4			AUDIO DATA OUTPUT, CH 33 TO 40	J05		
				1 10 5 26C			EQUALIZER CH 33 TO CH 40	J05		
				1 10 25 4			AUDIO DATA OUTPUT, CH 33 TO 40	P25		1.862.721.00
				4B 5 12C 4C			P02 MAPRO A-GR5 (CH 33-40)		BACKP. AA2	54.14.2002
				4B 10 12 4			TA (MAPRO IN) A-GR.5/CHANNEL 33-40		BACKP. AA2	1.862.652.00
			5D 2 5 4			TA (MAPRO IN) A-GR.5/CHANNEL 33-40	TD&HD-IF			
TA-ICH35				1 2 5 6			AUDIO DATA OUTPUT, CH 33 TO 40	J05		
				1 10 5 27C			EQUALIZER CH 33 TO CH 40	J05		
				1 10 25 6			AUDIO DATA OUTPUT, CH 33 TO 40	P25		1.862.721.00
				4B 5 12C 5C			P02 MAPRO A-GR5 (CH 33-40)		BACKP. AA2	54.14.2002
				4B 10 12 6			TA (MAPRO IN) A-GR.5/CHANNEL 33-40		BACKP. AA2	1.862.652.00
			5D 2 5 6			TA (MAPRO IN) A-GR.5/CHANNEL 33-40	TD&HD-IF			
TA-ICH36				1 2 5 8			AUDIO DATA OUTPUT, CH 33 TO 40	J05		
				1 10 5 28C			EQUALIZER CH 33 TO CH 40	J05		
				1 10 25 8			AUDIO DATA OUTPUT, CH 33 TO 40	P25		1.862.721.00
				4B 5 12C 6C			P02 MAPRO A-GR5 (CH 33-40)		BACKP. AA2	54.14.2002
				4B 10 12 8			TA (MAPRO IN) A-GR.5/CHANNEL 33-40		BACKP. AA2	1.862.652.00
			5D 2 5 8			TA (MAPRO IN) A-GR.5/CHANNEL 33-40	TD&HD-IF			
TA-ICH37				1 2 5 10			AUDIO DATA OUTPUT, CH 33 TO 40	J05		
				1 10 5 29C			EQUALIZER CH 33 TO CH 40	J05		
				1 10 25 10			AUDIO DATA OUTPUT, CH 33 TO 40	P25		1.862.721.00
				4B 5 12C 7C			P02 MAPRO A-GR5 (CH 33-40)		BACKP. AA2	54.14.2002
				4B 10 12 10			TA (MAPRO IN) A-GR.5/CHANNEL 33-40		BACKP. AA2	1.862.652.00
			5D 2 5 10			TA (MAPRO IN) A-GR.5/CHANNEL 33-40	TD&HD-IF			
TA-ICH38				1 2 5 12			AUDIO DATA OUTPUT, CH 33 TO 40	J05		
				1 10 5 30C			EQUALIZER CH 33 TO CH 40	J05		
				1 10 25 12			AUDIO DATA OUTPUT, CH 33 TO 40	P25		1.862.721.00
				4B 5 12C 8C			P02 MAPRO A-GR5 (CH 33-40)		BACKP. AA2	54.14.2002
				4B 10 12 12			TA (MAPRO IN) A-GR.5/CHANNEL 33-40		BACKP. AA2	1.862.652.00
			5D 2 5 12			TA (MAPRO IN) A-GR.5/CHANNEL 33-40	TD&HD-IF			

STUDER D820 MCH

 * STUDER REVOX AG * S I G N A L W I R E L I S T * 91/02/19 * 11:24 * P A G E 543 *
 * 1.862.010.00 D820-48 PCM TAPE - RECORDER * 90/03/21 - 00 *

SIGNAL NAME	COLOR	MI	ASY	GRP	ELM	PNT	S	LV	TYPE	DESCRIPTION OF ELEMENT	REMARK	ELEMENT NR.
TADRO			6A	1	1	14				BACKPANEL EXTENSION CONNECTION	DISPLAY.	
			6A	2	1C	7C				DP KEY DETECTION	AUX	1.862.812.00
			6A	2	13C	20C				DP MICROPROCESSOR		1.862.815.00
			6A	3	1C	7C				DP KEY DETECTION	A-GR.5+6	1.862.812.00
			6A	4	1	6				Z 1 8 * 3.3 K		57.88.4332
			6A	4	2	6				Z 2 ** NOT USED **		
			6B	1	1C	7C				DP KEY DETECTION	A-GR.3+4	1.862.812.00
			6B	2	1C	7C				DP KEY DETECTION	A-GR.1+2	1.862.812.00
			6B	3	1	14				BACKPANEL EXTENSION CONNECTION		
			6B	4	1	6				Z 1 8 * 3.3 K		57.88.4332
			6B	4	2	6				Z 2 ** NOT USED **		
	TADR1			6A	1	1	13				BACKPANEL EXTENSION CONNECTION	DISPLAY.
			6A	2	1A	6A				DP KEY DETECTION	AUX	1.862.812.00
			6A	2	13A	20A				DP MICROPROCESSOR		1.862.815.00
			6A	3	1A	6A				DP KEY DETECTION	A-GR.5+6	1.862.812.00
			6A	4	1	7				Z 1 8 * 3.3 K		57.88.4332
			6A	4	2	7				Z 2 ** NOT USED **		
			6B	1	1A	6A				DP KEY DETECTION	A-GR.3+4	1.862.812.00
			6B	2	1A	6A				DP KEY DETECTION	A-GR.1+2	1.862.812.00
			6B	3	1	13				BACKPANEL EXTENSION CONNECTION		
			6B	4	1	7				Z 1 8 * 3.3 K		57.88.4332
			6B	4	2	7				Z 2 ** NOT USED **		
TADR2				6A	1	1	12				BACKPANEL EXTENSION CONNECTION	DISPLAY.
			6A	2	1B	6B				DP KEY DETECTION	AUX	1.862.812.00
			6A	2	13C	19C				DP MICROPROCESSOR		1.862.815.00
			6A	3	1B	6B				DP KEY DETECTION	A-GR.5+6	1.862.812.00
			6A	4	1	8				Z 1 8 * 3.3 K		57.88.4332
			6A	4	2	8				Z 2 ** NOT USED **		
			6B	1	1B	6B				DP KEY DETECTION	A-GR.3+4	1.862.812.00
			6B	2	1B	6B				DP KEY DETECTION	A-GR.1+2	1.862.812.00
			6B	3	1	12				BACKPANEL EXTENSION CONNECTION		
			6B	4	1	8				Z 1 8 * 3.3 K		57.88.4332
			6B	4	2	8				Z 2 ** NOT USED **		
	TADR3			6A	1	1	11				BACKPANEL EXTENSION CONNECTION	DISPLAY.
			6A	2	1C	6C				DP KEY DETECTION	AUX	1.862.812.00
			6A	2	13A	19A				DP MICROPROCESSOR		1.862.815.00
			6A	3	1C	6C				DP KEY DETECTION	A-GR.5+6	1.862.812.00
			6A	4	1	9				Z 1 8 * 3.3 K		57.88.4332
			6A	4	2	9				Z 2 ** NOT USED **		
			6B	1	1C	6C				DP KEY DETECTION	A-GR.3+4	1.862.812.00
			6B	2	1C	6C				DP KEY DETECTION	A-GR.1+2	1.862.812.00
			6B	3	1	11				BACKPANEL EXTENSION CONNECTION		
			6B	4	1	9				Z 1 8 * 3.3 K		57.88.4332
			6B	4	2	9				Z 2 ** NOT USED **		
TAIRQ				6A	2	1B	23B				DP KEY DETECTION	AUX
			6A	2	13A	27A				DP MICROPROCESSOR		1.862.815.00
TASEL			6A	2	1B	9B				DP KEY DETECTION	AUX	1.862.812.00
			6A	2	13A	28A				DP MICROPROCESSOR		1.862.815.00

 * STUDER REVOX AG * S I G N A L W I R E L I S T * 91/02/19 * 11:24 * P A G E 544 *
 * 1.862.010.00 D820-48 PCM TAPE - RECORDER * 90/03/21 - 00 *

SIGNAL NAME	COLOR	MI	ASY	GRP	ELM	PNT	S	LV	TYPE	DESCRIPTION OF ELEMENT	REMARK	ELEMENT NR.
TC-ADRO			1	20	16	24B				CAPSTAN PHASE CONTROL BOARD	J16	1.862.714.00
			1	20	17	31				CAPSTAN CONTROL UNIT	J17	1.820.764.00
			1	20	18	24A				CAPSTAN INTERFACE	J18	1.820.727.00
TC-ADR1			1	20	16	23B				CAPSTAN PHASE CONTROL BOARD	J16	1.862.714.00
			1	20	17	30				CAPSTAN CONTROL UNIT	J17	1.820.764.00
			1	20	18	23A				CAPSTAN INTERFACE	J18	1.820.727.00
TC-ADR2			1	20	16	22B				CAPSTAN PHASE CONTROL BOARD	J16	1.862.714.00
			1	20	17	29				CAPSTAN CONTROL UNIT	J17	1.820.764.00
			1	20	18	22A				CAPSTAN INTERFACE	J18	1.820.727.00
TC-BPHO			1	1	10	13				CLOCK CONNECTOR	J10	
			1	20	15	7A				CONVERTER RS422/TTL	J15	1.862.715.00
			1	20	54	13				CLOCK CONNECTOR	P54	54.14.2003
			1	21	1	13				CLOCK CONNECTOR	P01	
			3A	1S	51A	21A				PO1 REFERENCE TRACK		
			3A	10S	43	7				RT+TC CLOCKS	BACKP.AS1	1.862.657.00
			4A	10S	12	13				CLOCK-CONNECTOR	BACKP.AS1	
			4A	10S	13	7				RT+TC CLOCKS	BACKP.AS2	
			5D	1	10	13				CLOCK-CONNECTOR	TD&HD-IF	
			1	20	15	31B				CONVERTER RS422/TTL	J15	1.862.715.00
			1	20	16	31A				CAPSTAN PHASE CONTROL BOARD	J16	1.862.714.00
TC-BPH1			1	1	10	15				CLOCK CONNECTOR	J10	
			1	20	15	8A				CONVERTER RS422/TTL	J15	1.862.715.00
			1	20	54	15				CLOCK CONNECTOR	P54	54.14.2003
			1	21	1	15				CLOCK CONNECTOR	P01	
			3A	1S	51A	22A				PO1 REFERENCE TRACK		
			3A	10S	43	9				RT+TC CLOCKS	BACKP.AS1	1.862.657.00
			4A	10S	12	15				CLOCK-CONNECTOR	BACKP.AS1	
			4A	10S	13	9				RT+TC CLOCKS	BACKP.AS2	
			5D	1	10	15				CLOCK-CONNECTOR	TD&HD-IF	
			1	20	15	32B				CONVERTER RS422/TTL	J15	1.862.715.00
			1	20	16	32A				CAPSTAN PHASE CONTROL BOARD	J16	1.862.714.00
TC-CAPDC			1	20	17	4				CAPSTAN CONTROL UNIT	J17	1.820.764.00
			1	20	56	14				CAPSTAN M. DRIVE AMPLIFIER	P56	
			1	39	1	14				FROM GRP20, ELM56 (BASIS B. TD)	P01	
TC-CDIRI			1	20	17	6				CAPSTAN CONTROL UNIT	J17	1.820.764.00
			1	20	18	1A				CAPSTAN INTERFACE	J18	1.820.727.00
TC-CPREF			1	20	56	13				CAPSTAN M. DRIVE AMPLIFIER	P56	
			1	39	1	13				FROM GRP20, ELM56 (BASIS B. TD)	P01	
TC-DATA0			1	20	16	32B				CAPSTAN PHASE CONTROL BOARD	J16	1.862.714.00
			1	20	17	39				CAPSTAN CONTROL UNIT	J17	1.820.764.00
			1	20	18	32A				CAPSTAN INTERFACE	J18	1.820.727.00
TC-DATA1			1	20	16	31B				CAPSTAN PHASE CONTROL BOARD	J16	1.862.714.00
			1	20	17	38				CAPSTAN CONTROL UNIT	J17	1.820.764.00
			1	20	18	31A				CAPSTAN INTERFACE	J18	1.820.727.00

 * STUDER REVOX AG * S I G N A L W I R E L I S T * 91/02/19 * 11:24 * PAGE 545 *

 * 1.862.010.00 D820-48 PCM TAPE - RECORDER * 90/03/21 - 00 *

SIGNAL NAME	COLOR	MI	ASY GRP	ELM PNT	S	LV	TYPE	DESCRIPTION OF ELEMENT	REMARK	ELEMENT NR.	
TC-DATA2			1 20	16 30B				CAPSTAN PHASE CONTROL BOARD	J16	1.862.714.00	
			1 20	17 37				CAPSTAN CONTROL UNIT	J17	1.820.764.00	
			1 20	18 30A				CAPSTAN INTERFACE	J18	1.820.727.00	
TC-DATA3			1 20	16 29B				CAPSTAN PHASE CONTROL BOARD	J16	1.862.714.00	
			1 20	17 36				CAPSTAN CONTROL UNIT	J17	1.820.764.00	
			1 20	18 29A				CAPSTAN INTERFACE	J18	1.820.727.00	
TC-DATA4			1 20	16 28B				CAPSTAN PHASE CONTROL BOARD	J16	1.862.714.00	
			1 20	17 35				CAPSTAN CONTROL UNIT	J17	1.820.764.00	
			1 20	18 28A				CAPSTAN INTERFACE	J18	1.820.727.00	
TC-DATA5			1 20	16 27B				CAPSTAN PHASE CONTROL BOARD	J16	1.862.714.00	
			1 20	17 34				CAPSTAN CONTROL UNIT	J17	1.820.764.00	
			1 20	18 27A				CAPSTAN INTERFACE	J18	1.820.727.00	
TC-DATA6			1 20	16 26B				CAPSTAN PHASE CONTROL BOARD	J16	1.862.714.00	
			1 20	17 33				CAPSTAN CONTROL UNIT	J17	1.820.764.00	
			1 20	18 26A				CAPSTAN INTERFACE	J18	1.820.727.00	
TC-DATA7			1 20	16 25B				CAPSTAN PHASE CONTROL BOARD	J16	1.862.714.00	
			1 20	17 32				CAPSTAN CONTROL UNIT	J17	1.820.764.00	
			1 20	18 25A				CAPSTAN INTERFACE	J18	1.820.727.00	
TC-ENB			1 20	17 28				CAPSTAN CONTROL UNIT	J17	1.820.764.00	
			1 20	18 21A				CAPSTAN INTERFACE	J18	1.820.727.00	
TC-ENBG			1 20	16 21B				CAPSTAN PHASE CONTROL BOARD	J16	1.862.714.00	
			1 20	17 11				CAPSTAN CONTROL UNIT	J17	1.820.764.00	
			1 20	18 8B				CAPSTAN INTERFACE	J18	1.820.727.00	
TC-EREF			1 20	17 14				CAPSTAN CONTROL UNIT	J17	1.820.764.00	
			1 20	18 10B				CAPSTAN INTERFACE	J18	1.820.727.00	
TC-HALL1			1 38	1 4			F	FROM GRP39, ELM02	J01		
			1 39	2 4			M	TO GRP38, ELM01 (CAPSTAN MOTOR)	P02		
TC-HALL2			1 38	1 7			F	FROM GRP39, ELM02	J01		
			1 39	2 7			M	TO GRP38, ELM01 (CAPSTAN MOTOR)	P02		
TC-HALL3			1 38	1 10			F	FROM GRP39, ELM02	J01		
			1 39	2 10			M	TO GRP38, ELM01 (CAPSTAN MOTOR)	P02		
TC-IBPH0			1 1	10 14				CLOCK CONNECTOR	J10		
			1 20	15 7B				CONVERTER RS422/TTL	J15	1.862.715.00	
			1 20	54 14				CLOCK CONNECTOR	P54	54.14.2003	
			1 21	1 14				CLOCK CONNECTOR	P01		
			3A 1S	51C 21C				P01 REFERENCE TRACK		BACKP.AS1	1.862.657.00
			3A 10S	43 8				RT+TC CLOCKS		BACKP.AS1	
			4A 10S	12 14				CLOCK-CONNECTOR		BACKP.AS2	
			4A 10S	13 8				RT+TC CLOCKS		BACKP.AS2	
			5D 1	10 14				CLOCK-CONNECTOR		TD&HD-IF	

 * STUDER REVOX AG * S I G N A L W I R E L I S T * 91/02/19 * 11:24 * PAGE 546 *

 * 1.862.010.00 D820-48 PCM TAPE - RECORDER * 90/03/21 - 00 *

SIGNAL NAME	COLOR	MI	ASY GRP	ELM PNT	S	LV	TYPE	DESCRIPTION OF ELEMENT	REMARK	ELEMENT NR.	
TC-IBPH1			1 1	10 16				CLOCK CONNECTOR	J10		
			1 20	15 8B				CONVERTER RS422/TTL	J15	1.862.715.00	
			1 20	54 16				CLOCK CONNECTOR	P54	54.14.2003	
			1 21	1 16				CLOCK CONNECTOR	P01		
			3A 1S	51C 22C				P01 REFERENCE TRACK		BACKP.AS1	1.862.657.00
			3A 10S	43 10				RT+TC CLOCKS		BACKP.AS1	
			4A 10S	12 16				CLOCK-CONNECTOR		BACKP.AS2	
			4A 10S	13 10				RT+TC CLOCKS		BACKP.AS2	
			5D 1	10 16				CLOCK-CONNECTOR		TD&HD-IF	
	TC-INEX			1 20	17 9				CAPSTAN CONTROL UNIT	J17	1.820.764.00
			1 20	18 12A				CAPSTAN INTERFACE	J18	1.820.727.00	
TC-IRQ			1 20	16 9B				CAPSTAN PHASE CONTROL BOARD	J16	1.862.714.00	
			1 20	17 13				CAPSTAN CONTROL UNIT	J17	1.820.764.00	
			1 20	18 9A				CAPSTAN INTERFACE	J18	1.820.727.00	
TC-REF			1 20	17 8				CAPSTAN CONTROL UNIT	J17	1.820.764.00	
			1 20	18 11A				CAPSTAN INTERFACE	J18	1.820.727.00	
TC-REFP			1 20	17 3				CAPSTAN CONTROL UNIT	J17	1.820.764.00	
			1 20	18 4B				CAPSTAN INTERFACE	J18	1.820.727.00	
TC-RESMP			1 20	16 8B				CAPSTAN PHASE CONTROL BOARD	J16	1.862.714.00	
			1 20	17 10				CAPSTAN CONTROL UNIT	J17	1.820.764.00	
			1 20	18 8A				CAPSTAN INTERFACE	J18	1.820.727.00	
TC-RES1			1 19	1 31B				RESERVE	J01		
			1 19	2 31B				RESERVE	J02		
			1 19	3 31B				REPRODUCE CONTROLLER	J03	1.862.720.00	
			1 19	4 31B				RECORD CONTROLLER	J04	1.862.718.00	
			1 19	45 22				CONNECTOR TO TAPE DECK BASIS B.	P45	54.14.2003	
			1 20	16 21A				CAPSTAN PHASE CONTROL BOARD	J16	1.862.714.00	
			1 20	50 22				CONNECTOR TO AUDIO CTR. BASIS B.	P50	54.14.2003	
TC-RES2			1 20	16 22A				CAPSTAN PHASE CONTROL BOARD	J16	1.862.714.00	
TC-RES3			1 20	16 23A				CAPSTAN PHASE CONTROL BOARD	J16	1.862.714.00	
TC-RES4			1 20	16 24A				CAPSTAN PHASE CONTROL BOARD	J16	1.862.714.00	
TC-RH			1 20	16 20B				CAPSTAN PHASE CONTROL BOARD	J16	1.862.714.00	
			1 20	17 27				CAPSTAN CONTROL UNIT	J17	1.820.764.00	
			1 20	18 20A				CAPSTAN INTERFACE	J18	1.820.727.00	
TC-SL1			1 20	17 24				CAPSTAN CONTROL UNIT	J17	1.820.764.00	
			1 20	18 13A				CAPSTAN INTERFACE	J18	1.820.727.00	
TC-SL2			1 20	17 23				CAPSTAN CONTROL UNIT	J17	1.820.764.00	
			1 20	18 14A				CAPSTAN INTERFACE	J18	1.820.727.00	
TC-SL3			1 20	16 14B				CAPSTAN PHASE CONTROL BOARD	J16	1.862.714.00	
			1 20	17 16				CAPSTAN CONTROL UNIT	J17	1.820.764.00	
TC-SL4			1 20	16 13B				CAPSTAN PHASE CONTROL BOARD	J16	1.862.714.00	
			1 20	17 15				CAPSTAN CONTROL UNIT	J17	1.820.764.00	

STUDER D820 MCH

* STUDER REVOX AG * S I G N A L H I R E L I S T * 91/02/19 * 11:24 * P A G E 547 *

* 1.862.010.00 D820-48 PCM TAPE - RECORDER * 90/03/21 - 00 *

Table with columns: SIGNAL NAME, COLOR, MI, ASY, GRP, ELM, PNT, S, LV, TYPE, DESCRIPTION OF ELEMENT, REMARK, ELEMENT NR. Rows include TC-SPD1, TC-SPD2, TC-TCDIR, TC-TCMV, TC-TCMVI, TD-ADRO, TD-ADR1, TD-ADR2, TD-ADR3, TD-BUSSM, TD-CAPSY.

* STUDER REVOX AG * S I G N A L H I R E L I S T * 91/02/19 * 11:24 * P A G E 548 *

* 1.862.010.00 D820-48 PCM TAPE - RECORDER * 90/03/21 - 00 *

Table with columns: SIGNAL NAME, COLOR, MI, ASY, GRP, ELM, PNT, S, LV, TYPE, DESCRIPTION OF ELEMENT, REMARK, ELEMENT NR. Rows include TD-CRES, TD-C307K, TD-C614K, TD-C76K, TD-DATA0, TD-DATA1.

* STUDER REVOX AG * SIGNAL WIRE LIST * 91/02/19 * 11:24 * PAGE 549 *

* 1.862.010.00 D820-48 PCM TAPE - RECORDER * 90/03/21 - 00 *

Table with columns: SIGNAL NAME, COLOR, MI, ASY, GRP, ELM, PNT, S, LV, TYPE, DESCRIPTION OF ELEMENT, REMARK, ELEMENT NR. Rows include TD-DATA2, TD-DATA3, TD-DATA4, TD-DATA5, TD-DATA6, TD-DATA7, TD-DRENB, TD-ENB, TD-EVENT, TD-HEACT, TD-ICRE1.

* STUDER REVOX AG * SIGNAL WIRE LIST * 91/02/19 * 11:24 * PAGE 550 *

* 1.862.010.00 D820-48 PCM TAPE - RECORDER * 90/03/21 - 00 *

Table with columns: SIGNAL NAME, COLOR, MI, ASY, GRP, ELM, PNT, S, LV, TYPE, DESCRIPTION OF ELEMENT, REMARK, ELEMENT NR. Rows include TD-ICRE2, TD-ICRE3, TD-ICRE4, TD-ICRE5, TD-IRQ, TD-ISCLK, TD-ISCTS, TD-ISDTR, TD-ISRX, TD-ISTX, TD-MOVE, TD-MOVE1.

STUDER D820 MCH

 * STUDER REVOX AG * S I G N A L W I R E L I S T * 91/02/19 * 11:24 * PAGE 555 *
 * 1.862.010.00 D820-48 PCM TAPE - RECORDER * 90/03/21 - 00 *

SIGNAL NAME	COLOR	MI	ASY	GRP	ELM	PNT	S	LV	TYPE	DESCRIPTION OF ELEMENT	REMARK	ELEMENT NR.
<<-- CONT.OF TD-TMR2			1	60	3	8				FROM GR. 20 ELM 60 TO TACHO SENSOR SP. MOTOR RIGHT	P03 P07	
TD-TRSP			1	20	19	9A				TAPE DECK PERIPHERY CONTR. EXT. SENSOR FROM GRP20, ELM57	J19 P57 P01	1.820.762.00
TD-TRSPR			1	20	57	10				EXT. SENSOR FROM GRP20, ELM57	P57 P01	
TD-TX			1	20	22	11				MP-UNIT TD CONTROL MCH	J22	1.820.781.00
TD-YTRSP			1	20	57	7				EXT. SENSOR FROM GRP20, ELM57	P57 P01	
TD-307K			1	19	2	32B				RESERVE RECORD CURRENT SUPPLY (+VREC) RECORD CURRENT SUPPLY (+VREC) RECORD CURRENT SUPPLY (+VREC) RECORD CURRENT SUPPLY (-VREC) RECORD CURRENT SUPPLY (-VREC) RECORD CURRENT SUPPLY (-VREC)	J02 J07 J07 J07 J08 J08	1.862.719.00 1.862.719.00 1.862.719.00 1.862.719.00 1.862.719.00 1.862.719.00
TD-76K			1	19	2	32A				RESERVE	J02	
TD-9600			1	20	22	17				MP-UNIT TD CONTROL MCH	J22	1.820.781.00
TDAT0			6A	1	1	25				BACKPANEL EXTENSION CONNECTION DP KEY DETECTION DP MICROPROCESSOR DP KEY DETECTION Z 3 8 * 3.3 K Z 4 ** NOT USED ** DP KEY DETECTION DP KEY DETECTION BACKPANEL EXTENSION CONNECTION Z 3 8 * 3.3 K Z 4 ** NOT USED **	DISPLAY. AUX DISPLAY. A-GR.5+6 DISPLAY. DISPLAY. DISPLAY. DISPLAY. DISPLAY. DISPLAY.	1.862.812.00 1.862.815.00 1.862.812.00 57.88.4332 1.862.812.00 1.862.812.00 1.862.812.00 57.88.4332
TDAT1			6A	1	1	24				BACKPANEL EXTENSION CONNECTION DP KEY DETECTION DP MICROPROCESSOR DP KEY DETECTION Z 3 8 * 3.3 K Z 4 ** NOT USED ** DP KEY DETECTION DP KEY DETECTION BACKPANEL EXTENSION CONNECTION Z 3 8 * 3.3 K Z 4 ** NOT USED **	DISPLAY. AUX DISPLAY. A-GR.5+6 DISPLAY. DISPLAY. DISPLAY. DISPLAY. DISPLAY.	1.862.812.00 1.862.815.00 1.862.812.00 57.88.4332 1.862.812.00 1.862.812.00 57.88.4332
TDAT2			6A	1	1	23				BACKPANEL EXTENSION CONNECTION DP KEY DETECTION DP MICROPROCESSOR	DISPLAY. AUX DISPLAY.	1.862.812.00 1.862.815.00

 * STUDER REVOX AG * S I G N A L W I R E L I S T * 91/02/19 * 11:24 * PAGE 556 *
 * 1.862.010.00 D820-48 PCM TAPE - RECORDER * 90/03/21 - 00 *

SIGNAL NAME	COLOR	MI	ASY	GRP	ELM	PNT	S	LV	TYPE	DESCRIPTION OF ELEMENT	REMARK	ELEMENT NR.
<<-- CONT.OF TDAT2			6A	3	1A	11A				DP KEY DETECTION Z 3 8 * 3.3 K Z 4 ** NOT USED ** DP KEY DETECTION DP KEY DETECTION BACKPANEL EXTENSION CONNECTION Z 3 8 * 3.3 K Z 4 ** NOT USED **	A-GR.5+6 DISPLAY. DISPLAY. A-GR.3+4 DISPLAY. DISPLAY. DISPLAY. DISPLAY.	1.862.812.00 57.88.4332 1.862.812.00 1.862.812.00 57.88.4332
TDAT3			6A	1	1	22				BACKPANEL EXTENSION CONNECTION DP KEY DETECTION DP MICROPROCESSOR DP KEY DETECTION Z 3 8 * 3.3 K Z 4 ** NOT USED ** DP KEY DETECTION DP KEY DETECTION BACKPANEL EXTENSION CONNECTION Z 3 8 * 3.3 K Z 4 ** NOT USED **	DISPLAY. AUX DISPLAY. A-GR.5+6 DISPLAY. DISPLAY. DISPLAY. DISPLAY. DISPLAY.	1.862.812.00 1.862.815.00 1.862.812.00 57.88.4332 1.862.812.00 1.862.812.00 57.88.4332
TDAT4			6A	1	1	21				BACKPANEL EXTENSION CONNECTION DP KEY DETECTION DP MICROPROCESSOR DP KEY DETECTION Z 3 8 * 3.3 K Z 4 ** NOT USED ** DP KEY DETECTION DP KEY DETECTION BACKPANEL EXTENSION CONNECTION Z 3 8 * 3.3 K Z 4 ** NOT USED **	DISPLAY. AUX DISPLAY. A-GR.5+6 DISPLAY. DISPLAY. DISPLAY. DISPLAY. DISPLAY.	1.862.812.00 1.862.815.00 1.862.812.00 57.88.4332 1.862.812.00 1.862.812.00 57.88.4332
TDAT5			6A	1	1	20				BACKPANEL EXTENSION CONNECTION DP KEY DETECTION DP MICROPROCESSOR DP KEY DETECTION Z 3 8 * 3.3 K Z 4 ** NOT USED ** DP KEY DETECTION DP KEY DETECTION BACKPANEL EXTENSION CONNECTION Z 3 8 * 3.3 K Z 4 ** NOT USED **	DISPLAY. AUX DISPLAY. A-GR.5+6 DISPLAY. DISPLAY. DISPLAY. DISPLAY. DISPLAY.	1.862.812.00 1.862.815.00 1.862.812.00 57.88.4332 1.862.812.00 1.862.812.00 57.88.4332
TDAT6			6A	1	1	19				BACKPANEL EXTENSION CONNECTION DP KEY DETECTION DP MICROPROCESSOR DP KEY DETECTION Z 3 8 * 3.3 K Z 4 ** NOT USED ** DP KEY DETECTION DP KEY DETECTION BACKPANEL EXTENSION CONNECTION	DISPLAY. AUX DISPLAY. A-GR.5+6 DISPLAY. DISPLAY. DISPLAY. DISPLAY.	1.862.812.00 1.862.815.00 1.862.812.00 57.88.4332 1.862.812.00 1.862.812.00

STUDER D820 MCH

***** STUDER REVOX AG * S I G N A L W I R E L I S T * 91/02/19 * 11:24 * PAGE 559 *
 ***** 1.862.010.00 D820-48 PCM TAPE - RECORDER * 90/03/21 - 00 *

SIGNAL NAME	COLOR	MI	ASY	GRP	ELM	PNT	S	LV	TYPE	DESCRIPTION OF ELEMENT	REMARK	ELEMENT NR.
TM-DATA4			1	27	2A	31				CIRCUIT DIAGRAM SIGNAL NAMES	P27	
			1	50	1A	31				CIRCUIT DIAGRAM SIGNAL NAMES	P01	1.820.768.00
TM-DATA5			1	27	2A	29				CIRCUIT DIAGRAM SIGNAL NAMES	P27	
			1	50	1A	29				CIRCUIT DIAGRAM SIGNAL NAMES	P01	1.820.768.00
TM-DATA6			1	27	2A	27				CIRCUIT DIAGRAM SIGNAL NAMES	P27	
			1	50	1A	27				CIRCUIT DIAGRAM SIGNAL NAMES	P01	1.820.768.00
TM-DATA7			1	27	2A	25				CIRCUIT DIAGRAM SIGNAL NAMES	P27	
			1	50	1A	25				CIRCUIT DIAGRAM SIGNAL NAMES	P01	1.820.768.00
TM-DENB			1	27	2A	13				CIRCUIT DIAGRAM SIGNAL NAMES	P27	
			1	50	1A	13				CIRCUIT DIAGRAM SIGNAL NAMES	P01	1.820.768.00
TM-DP			1	51	1	19				FROM GRP50,ELM02 (DISPLAY DRIVER)		
TM-DRES			1	27	2A	9				CIRCUIT DIAGRAM SIGNAL NAMES	P27	
			1	50	1A	9				CIRCUIT DIAGRAM SIGNAL NAMES	P01	1.820.768.00
TM-DRW			1	27	2A	11				CIRCUIT DIAGRAM SIGNAL NAMES	P27	
			1	50	1A	11				CIRCUIT DIAGRAM SIGNAL NAMES	P01	1.820.768.00
TM-DSL4			1	50	1A	7				CIRCUIT DIAGRAM SIGNAL NAMES	P01	1.820.768.00
TM-DSL5			1	27	2A	7				CIRCUIT DIAGRAM SIGNAL NAMES	P27	
TM-DO			1	51	1	35				FROM GRP50,ELM02 (DISPLAY DRIVER)		
TM-D1			1	51	1	34				FROM GRP50,ELM02 (DISPLAY DRIVER)		
TM-D2			1	51	1	33				FROM GRP50,ELM02 (DISPLAY DRIVER)		
TM-D3			1	51	1	32				FROM GRP50,ELM02 (DISPLAY DRIVER)		
TM-D4			1	51	1	31				FROM GRP50,ELM02 (DISPLAY DRIVER)		
TM-D5			1	51	1	30				FROM GRP50,ELM02 (DISPLAY DRIVER)		
TM-D6			1	51	1	29				FROM GRP50,ELM02 (DISPLAY DRIVER)		
TM-D7			1	51	1	28				FROM GRP50,ELM02 (DISPLAY DRIVER)		
TM-D8			1	51	1	27				FROM GRP50,ELM02 (DISPLAY DRIVER)		
TM-D9			1	51	1	26				FROM GRP50,ELM02 (DISPLAY DRIVER)		
TM-E			1	51	1	24				FROM GRP50,ELM02 (DISPLAY DRIVER)		
TM-ENO			1	48	1	12				FROM GRP50, ELM03 (DISPLAY DRIVER)		
			1	48	2	4				CONNECTOR EDIT ASSEMBLY		
			1	49	1	4				FROM GRP48, ELM02 (PUSHBUTTON BOARD)		
			1	49	2	2				WIRE FIELD		
TM-EN1			1	51	1	9				FROM GRP50,ELM02 (DISPLAY DRIVER)		

***** STUDER REVOX AG * S I G N A L W I R E L I S T * 91/02/19 * 11:24 * PAGE 560 *
 ***** 1.862.010.00 D820-48 PCM TAPE - RECORDER * 90/03/21 - 00 *

SIGNAL NAME	COLOR	MI	ASY	GRP	ELM	PNT	S	LV	TYPE	DESCRIPTION OF ELEMENT	REMARK	ELEMENT NR.
TM-EN2			1	51	1	8				FROM GRP50,ELM02 (DISPLAY DRIVER)		
TM-EN3			1	51	1	7				FROM GRP50,ELM02 (DISPLAY DRIVER)		
TM-EN4			1	51	1	6				FROM GRP50,ELM02 (DISPLAY DRIVER)		
TM-F			1	51	1	23				FROM GRP50,ELM02 (DISPLAY DRIVER)		
TM-G			1	51	1	25				FROM GRP50,ELM02 (DISPLAY DRIVER)		
TM-IADRO			1	27	2A	20				CIRCUIT DIAGRAM SIGNAL NAMES	P27	
			1	50	1A	20				CIRCUIT DIAGRAM SIGNAL NAMES	P01	1.820.768.00
TM-IADR1			1	50	1A	18				CIRCUIT DIAGRAM SIGNAL NAMES	P01	1.820.768.00
TM-IADR2			1	50	1A	16				CIRCUIT DIAGRAM SIGNAL NAMES	P01	1.820.768.00
TM-IENB			1	27	2A	14				CIRCUIT DIAGRAM SIGNAL NAMES	P27	
			1	50	1A	14				CIRCUIT DIAGRAM SIGNAL NAMES	P01	1.820.768.00
TM-IRES			1	27	2A	10				CIRCUIT DIAGRAM SIGNAL NAMES	P27	
			1	50	1A	10				CIRCUIT DIAGRAM SIGNAL NAMES	P01	1.820.768.00
TM-IRW			1	27	2A	12				CIRCUIT DIAGRAM SIGNAL NAMES	P27	
			1	50	1A	12				CIRCUIT DIAGRAM SIGNAL NAMES	P01	1.820.768.00
TM-ISL4			1	50	1A	8				CIRCUIT DIAGRAM SIGNAL NAMES	P01	1.820.768.00
TM-ISL5			1	27	2A	8				CIRCUIT DIAGRAM SIGNAL NAMES	P27	
TM-KBIR			1	1	11	21				TDC BUS CONNECTOR	J11	
			1	20	51	23				TO DISPLAY DRIVER	P51	54.14.2004
			1	20	52	21				MASTER PARALLEL IF	P52	54.14.2004
			1	50	1	23				DISPLAY DRIVER	P01	1.820.768.00
			1	50	1A	23				CIRCUIT DIAGRAM SIGNAL NAMES	P01	1.820.768.00
			3A	1S	31A	12A				P01 PERIPHERAL INTERFACE	BACKP.AS1	1.862.656.00
			3A	10S	21	21				PIF TDC-BUS	BACKP.AS1	
			5D	1	11	21				PIF TDC-BUS	TD&HD-IF	
TM-L1			1	51	1	37				FROM GRP50,ELM02 (DISPLAY DRIVER)		
TM-L2			1	51	1	36				FROM GRP50,ELM02 (DISPLAY DRIVER)		
TM-L3			1	51	1	38				FROM GRP50,ELM02 (DISPLAY DRIVER)		
TM-L4			1	51	1	39				FROM GRP50,ELM02 (DISPLAY DRIVER)		
TM-L5			1	51	1	40				FROM GRP50,ELM02 (DISPLAY DRIVER)		
TM-REMIR			1	1	11	23				TDC BUS CONNECTOR	J11	
			1	20	52	23				MASTER PARALLEL IF	P52	54.14.2004
			1	20	53	21				CONNECTOR REMOTE CTR IF	P53	54.14.2004
			1	27	2	21				CONNECTOR REMOTE CTR IF	P27	
			1	27	2A	21				CIRCUIT DIAGRAM SIGNAL NAMES	P27	
			3A	1S	31A	13A				P01 PERIPHERAL INTERFACE	BACKP.AS1	1.862.656.00

* STUDER REVOX AG * S I G N A L W I R E L I S T * 91/02/19 * 11:24 * P A G E 561 *
 * 1.862.010.00 D820-48 PCM TAPE - RECORDER * 90/03/21 - 00 *
 * 1.862.010.00 D820-48 PCM TAPE - RECORDER * 90/03/21 - 00 *

SIGNAL NAME	COLOR	MI	ASY	GRP	ELM	PNT	S	LV	TYPE	DESCRIPTION OF ELEMENT	REMARK	ELEMENT NR.
<<-- CONT.OF TM-REMIR			3A	10S	21	23				PIF TDC-BUS PIF TDC-BUS	BACKP.AS1 TD&HD-IF	
TM-RL0			1	51	1	12				FROM GRP50,ELM02 (DISPLAY DRIVER)		
TM-RL1			1	48	1	19				FROM GRP50, ELM03 (DISPLAY DRIVER) CONNECTOR EDIT ASSEMBLY FROM GRP48, ELM02 (PUSHBUTTON BOARD) WIRE FIELD FROM GRP50,ELM02 (DISPLAY DRIVER)		
TM-RL2			1	48	1	18				FROM GRP50,ELM03 (DISPLAY DRIVER) FROM GRP50,ELM02 (DISPLAY DRIVER)		
TM-RL3			1	48	1	17				FROM GRP50, ELM03 (DISPLAY DRIVER) FROM GRP50,ELM02 (DISPLAY DRIVER)		
TM-RL4			1	48	1	16				FROM GRP50, ELM03 (DISPLAY DRIVER) FROM GRP50,ELM02 (DISPLAY DRIVER)		
TM-RL5			1	48	1	15				FROM GRP50, ELM03 (DISPLAY DRIVER) FROM GRP50,ELM02 (DISPLAY DRIVER)		
TM-RL6			1	48	1	14				FROM GRP50, ELM03 (DISPLAY DRIVER) FROM GRP50,ELM02 (DISPLAY DRIVER)		
TM-RL7			1	48	1	13				FROM GRP50, ELM03 (DISPLAY DRIVER) FROM GRP50,ELM02 (DISPLAY DRIVER)		
TM-SHIR			1	1	11	19				TDC BUS CONNECTOR J11 TO DISPLAY DRIVER P51 MASTER PARALLEL IF P52 DISPLAY DRIVER P01 CIRCUIT DIAGRAM SIGNAL NAMES P01	BACKP.AS1 BACKP.AS1 TD&HD-IF	54.14.2004 54.14.2004 1.820.768.00 1.820.768.00 1.862.656.00
TR-A			1	25	1	3			B	CONN. AUTOLOCATOR, REMOTE TIMER J01		
TR-B			1	25	1	7			B	CONN. AUTOLOCATOR, REMOTE TIMER J01		
TRM			6A	1	1	15				BACKPANEL EXTENSION CONNECTION DP KEY DETECTION DP MICROPROCESSOR DP KEY DETECTION Z 1 8 * 3.3 K Z 2 ** NOT USED **	DISPLAYP. DISPLAYP. AUX A-GR.5+6 A-GR.3+4 A-GR.1+2 DISPLAYP. DISPLAYP.	1.862.812.00 1.862.815.00 1.862.812.00 57.88.4332 1.862.812.00 1.862.812.00 57.88.4332
			6A	2	1A	7A						
			6A	2	13A	21A						
			6A	3	1A	7A						
			6A	4	1	5						
			6A	4	2	5						
			6B	1	1A	7A						
			6B	2	1A	7A						
			6B	3	1	15						
			6B	4	1	5						
			6B	4	2	5						

 * STUDER REVOX AG * S I G N A L W I R E L I S T * 91/02/19 * 11:24 * P A G E 562 *
 * 1.862.010.00 D820-48 PCM TAPE - RECORDER * 90/03/21 - 00 *
 * 1.862.010.00 D820-48 PCM TAPE - RECORDER * 90/03/21 - 00 *

SIGNAL NAME	COLOR	MI	ASY	GRP	ELM	PNT	S	LV	TYPE	DESCRIPTION OF ELEMENT	REMARK	ELEMENT NR.
T1IRQ			6A	2	13A	29A				DP MICROPROCESSOR DP KEY DETECTION R 9 ** NOT USED ** R10 ** NOT USED **	DISPLAYP. DISPLAYP. A-GR.5+6 DISPLAYP.	1.862.815.00 1.862.812.00
T1SEL			6A	2	13A	30A				DP MICROPROCESSOR DP KEY DETECTION	DISPLAYP. DISPLAYP.	1.862.815.00 1.862.812.00
T2IRQ			6A	1	1	33				BACKPANEL EXTENSION CONNECTION DP MICROPROCESSOR DP KEY DETECTION BACKPANEL EXTENSION CONNECTION	DISPLAYP. DISPLAYP. A-GR.3+4 DISPLAYP.	1.862.815.00 1.862.812.00
T2SEL			6A	1	1	31				BACKPANEL EXTENSION CONNECTION DP MICROPROCESSOR DP KEY DETECTION BACKPANEL EXTENSION CONNECTION R 7 ** NOT USED ** R 8 ** NOT USED **	DISPLAYP. DISPLAYP. A-GR.3+4 DISPLAYP. DISPLAYP.	1.862.815.00 1.862.812.00
T3IRQ			6A	1	1	29				BACKPANEL EXTENSION CONNECTION DP MICROPROCESSOR DP KEY DETECTION BACKPANEL EXTENSION CONNECTION	DISPLAYP. DISPLAYP. A-GR.1+2 DISPLAYP.	1.862.815.00 1.862.812.00
T3SEL			6A	1	1	27				BACKPANEL EXTENSION CONNECTION DP MICROPROCESSOR DP KEY DETECTION BACKPANEL EXTENSION CONNECTION R 5 ** NOT USED ** R 6 ** NOT USED **	DISPLAYP. DISPLAYP. A-GR.1+2 DISPLAYP. DISPLAYP.	1.862.815.00 1.862.812.00
VC-PUP1			3A	1S	21C	15C				P01 CENTRAL PROCESSOR UNIT GENERAL BUS ASSY.3A GENERAL BUS ASSY.3B 5V CONVERTER 3B	BACKP.AS1 BACKP.AS1 BACKP.AA1 BACKP.AA1	1.862.655.00 1.862.601.00
VC-PUP2			3A	1S	21C	16C				P01 CENTRAL PROCESSOR UNIT GENERAL BUS ASSY.3A GENERAL BUS ASSY.3B 5V CONVERTER 3A	BACKP.AS1 BACKP.AS1 BACKP.AA1 BACKP.AA1	1.862.655.00 1.862.601.00
VC-PUP3			3A	1S	21B	15B				P01 CENTRAL PROCESSOR UNIT GENERAL BUS ASSY.3 GENERAL BUS ASSY.4 GENERAL BUS ASSY.4A GENERAL BUS ASSY.4B 5V CONVERTER 4B	BACKP.AS1 BACKP.AS1 BACKP.AS2 BACKP.AS2 BACKP.AA2 BACKP.AA2	1.862.655.00 1.862.601.00
VC-PUP4			3A	1S	21B	16B				P01 CENTRAL PROCESSOR UNIT GENERAL BUS ASSY.3 GENERAL BUS ASSY.4 GENERAL BUS ASSY.4A GENERAL BUS ASSY.4B 5V CONVERTER 4A	BACKP.AS1 BACKP.AS1 BACKP.AS2 BACKP.AS2 BACKP.AA2 BACKP.AA2	1.862.655.00 1.862.601.00

* STUDER REVOX AG * S I G N A L W I R E L I S T * 91/02/19 * 11:24 * P A G E 569 *
* 1.862.010.00 D820-48 PCM TAPE - RECORDER * 90/03/21 - 00 *

Table with columns: SIGNAL NAME, COLOR, MI, ASY, GRP, ELM, PNT, S, LV, TYPE, DESCRIPTION OF ELEMENT, REMARK, ELEMENT NR. Contains entries for OSTABIN and various channel keys (Z 2, Z 4, R 9, DP KEY DETECTION, DP CHANNEL KEYS + LEV).

* STUDER REVOX AG * S I G N A L W I R E L I S T * 91/02/19 * 11:24 * P A G E 570 *
* 1.862.010.00 D820-48 PCM TAPE - RECORDER * 90/03/21 - 00 *

Table with columns: SIGNAL NAME, COLOR, MI, ASY, GRP, ELM, PNT, S, LV, TYPE, DESCRIPTION OF ELEMENT, REMARK, ELEMENT NR. Contains entries for OSTABIN and various channel keys (DP KEY DETECTION, DP CHANNEL KEYS + LEV, BACKPANEL EXTENSION CONNECTION).

* STUDER REVOX AG * SIGNAL WIRE LIST * 91/02/19 * 11:24 * PAGE 573 *

* 1.862.010.00 D820-48 PCM TAPE - RECORDER * 90/03/21 - 00 *

Table with columns: SIGNAL NAME, COLOR, MI, ASY, GRP, ELM, PNT, S, LV, TYPE, DESCRIPTION OF ELEMENT, REMARK, ELEMENT NR.
Rows include signals 1SMEN4-1SMEN7, 1S0-1S7, 2CH1-2CH4, 2CH5-2CH8, 2D0-2D7, 2LD1-2LD2, 2LWR, 2SMENO.

* STUDER REVOX AG * SIGNAL WIRE LIST * 91/02/19 * 11:24 * PAGE 574 *

* 1.862.010.00 D820-48 PCM TAPE - RECORDER * 90/03/21 - 00 *

Table with columns: SIGNAL NAME, COLOR, MI, ASY, GRP, ELM, PNT, S, LV, TYPE, DESCRIPTION OF ELEMENT, REMARK, ELEMENT NR.
Rows include signals 2CH5-2CH8, 2D0-2D7, 2LD1-2LD2, 2LWR, 2SMENO.

STUDER D820 MCH

* STUDER REVOK AG * S I G N A L W I R E L I S T * 91/02/19 * 11:24 * P A G E 575 *

 * 1.862.010.00 D820-48 PCM TAPE - RECORDER * 90/03/21 - 00 *

SIGNAL NAME	COLOR	MI	ASY	GRP	ELM	PNT	S	LV	TYPE	DESCRIPTION OF ELEMENT	REMARK	ELEMENT NR.
2SMEN1			6B	1	1C	16C				DP KEY DETECTION	A-GR.3+4	DISPLAY.
										DP CHANNEL KEYS + LEV	A-GR.4	DISPLAY.
2SMEN2			6B	1	1A	15A				DP KEY DETECTION	A-GR.3+4	DISPLAY.
										DP CHANNEL KEYS + LEV	A-GR.3	DISPLAY.
2SMEN3			6B	1	1C	15C				DP KEY DETECTION	A-GR.3+4	DISPLAY.
										DP CHANNEL KEYS + LEV	A-GR.3	DISPLAY.
2SMEN4			6B	1	1A	14A				DP KEY DETECTION	A-GR.3+4	DISPLAY.
										DP CHANNEL KEYS + LEV	A-GR.4	DISPLAY.
2SMEN5			6B	1	1C	14C				DP KEY DETECTION	A-GR.3+4	DISPLAY.
										DP CHANNEL KEYS + LEV	A-GR.4	DISPLAY.
2SMEN6			6B	1	1A	13A				DP KEY DETECTION	A-GR.3+4	DISPLAY.
										DP CHANNEL KEYS + LEV	A-GR.4	DISPLAY.
2SMEN7			6B	1	1C	13C				DP KEY DETECTION	A-GR.3+4	DISPLAY.
										DP CHANNEL KEYS + LEV	A-GR.3	DISPLAY.
2S0			6B	1	1A	20A				DP KEY DETECTION	A-GR.3+4	DISPLAY.
										DP CHANNEL KEYS + LEV	A-GR.3	DISPLAY.
										DP CHANNEL KEYS + LEV	A-GR.4	DISPLAY.
2S1			6B	1	1C	20C				DP KEY DETECTION	A-GR.3+4	DISPLAY.
										DP CHANNEL KEYS + LEV	A-GR.3	DISPLAY.
										DP CHANNEL KEYS + LEV	A-GR.4	DISPLAY.
2S2			6B	1	1A	19A				DP KEY DETECTION	A-GR.3+4	DISPLAY.
										DP CHANNEL KEYS + LEV	A-GR.3	DISPLAY.
										DP CHANNEL KEYS + LEV	A-GR.4	DISPLAY.
2S3			6B	1	1C	19C				DP KEY DETECTION	A-GR.3+4	DISPLAY.
										DP CHANNEL KEYS + LEV	A-GR.3	DISPLAY.
										DP CHANNEL KEYS + LEV	A-GR.4	DISPLAY.
2S4			6B	1	1A	18A				DP KEY DETECTION	A-GR.3+4	DISPLAY.
										DP CHANNEL KEYS + LEV	A-GR.3	DISPLAY.
										DP CHANNEL KEYS + LEV	A-GR.4	DISPLAY.
2S5			6B	1	1C	18C				DP KEY DETECTION	A-GR.3+4	DISPLAY.
										DP CHANNEL KEYS + LEV	A-GR.3	DISPLAY.
										DP CHANNEL KEYS + LEV	A-GR.4	DISPLAY.
2S6			6B	1	1A	17A				DP KEY DETECTION	A-GR.3+4	DISPLAY.
										DP CHANNEL KEYS + LEV	A-GR.3	DISPLAY.
										DP CHANNEL KEYS + LEV	A-GR.4	DISPLAY.
2S7			6B	1	1C	17C				DP KEY DETECTION	A-GR.3+4	DISPLAY.
										DP CHANNEL KEYS + LEV	A-GR.3	DISPLAY.
										DP CHANNEL KEYS + LEV	A-GR.4	DISPLAY.
3CH1			6B	2	1A	22A				DP KEY DETECTION	A-GR.1+2	DISPLAY.
										DP CHANNEL KEYS + LEV	A-GR.1	DISPLAY.
3CH2			6B	2	1C	22C				DP KEY DETECTION	A-GR.1+2	DISPLAY.
										DP CHANNEL KEYS + LEV	A-GR.1	DISPLAY.

* STUDER REVOK AG * S I G N A L W I R E L I S T * 91/02/19 * 11:24 * P A G E 576 *

 * 1.862.010.00 D820-48 PCM TAPE - RECORDER * 90/03/21 - 00 *

SIGNAL NAME	COLOR	MI	ASY	GRP	ELM	PNT	S	LV	TYPE	DESCRIPTION OF ELEMENT	REMARK	ELEMENT NR.
3CH3			6B	2	1A	21A				DP KEY DETECTION	A-GR.1+2	DISPLAY.
										DP CHANNEL KEYS + LEV	A-GR.1	DISPLAY.
3CH4			6B	2	1C	21C				DP KEY DETECTION	A-GR.1+2	DISPLAY.
										DP CHANNEL KEYS + LEV	A-GR.1	DISPLAY.
3CH5			6B	2	1B	22B				DP KEY DETECTION	A-GR.1+2	DISPLAY.
										DP CHANNEL KEYS + LEV	A-GR.2	DISPLAY.
3CH6			6B	2	1B	21B				DP KEY DETECTION	A-GR.1+2	DISPLAY.
										DP CHANNEL KEYS + LEV	A-GR.2	DISPLAY.
3CH7			6B	2	1B	20B				DP KEY DETECTION	A-GR.1+2	DISPLAY.
										DP CHANNEL KEYS + LEV	A-GR.2	DISPLAY.
3CH8			6B	2	1B	19B				DP KEY DETECTION	A-GR.1+2	DISPLAY.
										DP CHANNEL KEYS + LEV	A-GR.2	DISPLAY.
3D0			6B	2	1C	24C				DP KEY DETECTION	A-GR.1+2	DISPLAY.
										DP CHANNEL KEYS + LEV	A-GR.1	DISPLAY.
										DP CHANNEL KEYS + LEV	A-GR.2	DISPLAY.
3D1			6B	2	1A	24A				DP KEY DETECTION	A-GR.1+2	DISPLAY.
										DP CHANNEL KEYS + LEV	A-GR.1	DISPLAY.
										DP CHANNEL KEYS + LEV	A-GR.2	DISPLAY.
3D2			6B	2	1C	25C				DP KEY DETECTION	A-GR.1+2	DISPLAY.
										DP CHANNEL KEYS + LEV	A-GR.1	DISPLAY.
										DP CHANNEL KEYS + LEV	A-GR.2	DISPLAY.
3D3			6B	2	1A	25A				DP KEY DETECTION	A-GR.1+2	DISPLAY.
										DP CHANNEL KEYS + LEV	A-GR.1	DISPLAY.
										DP CHANNEL KEYS + LEV	A-GR.2	DISPLAY.
3D4			6B	2	1C	26C				DP KEY DETECTION	A-GR.1+2	DISPLAY.
										DP CHANNEL KEYS + LEV	A-GR.1	DISPLAY.
										DP CHANNEL KEYS + LEV	A-GR.2	DISPLAY.
3D5			6B	2	1A	26A				DP KEY DETECTION	A-GR.1+2	DISPLAY.
										DP CHANNEL KEYS + LEV	A-GR.1	DISPLAY.
										DP CHANNEL KEYS + LEV	A-GR.2	DISPLAY.
3D6			6B	2	1C	27C				DP KEY DETECTION	A-GR.1+2	DISPLAY.
										DP CHANNEL KEYS + LEV	A-GR.1	DISPLAY.
										DP CHANNEL KEYS + LEV	A-GR.2	DISPLAY.
3D7			6B	2	1A	27A				DP KEY DETECTION	A-GR.1+2	DISPLAY.
										DP CHANNEL KEYS + LEV	A-GR.1	DISPLAY.
										DP CHANNEL KEYS + LEV	A-GR.2	DISPLAY.
3LD1			6B	2	1C	23C				DP KEY DETECTION	A-GR.1+2	DISPLAY.
										DP CHANNEL KEYS + LEV	A-GR.1	DISPLAY.
3LD2			6B	2	1B	25B				DP KEY DETECTION	A-GR.1+2	DISPLAY.
										DP CHANNEL KEYS + LEV	A-GR.2	DISPLAY.

* STUDER REVOX AG * S I G N A L W I R E L I S T * 91/02/19 * 11:24 * P A G E 577 *
 * 1.862.010.00 D820-48 PCM TAPE - RECORDER * 90/03/21 - 00 *
 * * * * *

SIGNAL NAME	COLOR	MI	ASY	GRP	ELM	PNT	S	LV	TYPE	DESCRIPTION OF ELEMENT	REMARK	ELEMENT NR.
3LMR			6B	2	1A	23A				DP KEY DETECTION	A-GR.1+2	DISPLAYP. 1.862.812.00
					11A	23A				DP CHANNEL KEYS + LEV	A-GR.1	DISPLAYP. 1.862.813.00
					12A	23A				DP CHANNEL KEYS + LEV	A-GR.2	DISPLAYP. 1.862.813.00
3SMEN0			6B	2	1A	16A				DP KEY DETECTION	A-GR.1+2	DISPLAYP. 1.862.812.00
					11A	16A				DP CHANNEL KEYS + LEV	A-GR.1	DISPLAYP. 1.862.813.00
3SMEN1			6B	2	1C	16C				DP KEY DETECTION	A-GR.1+2	DISPLAYP. 1.862.812.00
					11C	16C				DP CHANNEL KEYS + LEV	A-GR.1	DISPLAYP. 1.862.813.00
3SMEN2			6B	2	1A	15A				DP KEY DETECTION	A-GR.1+2	DISPLAYP. 1.862.812.00
					11A	15A				DP CHANNEL KEYS + LEV	A-GR.1	DISPLAYP. 1.862.813.00
3SMEN3			6B	2	1C	15C				DP KEY DETECTION	A-GR.1+2	DISPLAYP. 1.862.812.00
3SMEN4			6B	2	1A	14A				DP KEY DETECTION	A-GR.1+2	DISPLAYP. 1.862.812.00
					12A	14A				DP CHANNEL KEYS + LEV	A-GR.2	DISPLAYP. 1.862.813.00
3SMEN5			6B	2	1C	14C				DP KEY DETECTION	A-GR.1+2	DISPLAYP. 1.862.812.00
					12C	14C				DP CHANNEL KEYS + LEV	A-GR.2	DISPLAYP. 1.862.813.00
3SMEN6			6B	2	1A	13A				DP KEY DETECTION	A-GR.1+2	DISPLAYP. 1.862.812.00
					12A	13A				DP CHANNEL KEYS + LEV	A-GR.2	DISPLAYP. 1.862.813.00
3SMEN7			6B	2	1C	13C				DP KEY DETECTION	A-GR.1+2	DISPLAYP. 1.862.812.00
3S0			6B	2	1A	20A				DP KEY DETECTION	A-GR.1+2	DISPLAYP. 1.862.812.00
					11A	20A				DP CHANNEL KEYS + LEV	A-GR.1	DISPLAYP. 1.862.813.00
					12A	20A				DP CHANNEL KEYS + LEV	A-GR.2	DISPLAYP. 1.862.813.00
3S1			6B	2	1C	20C				DP KEY DETECTION	A-GR.1+2	DISPLAYP. 1.862.812.00
					11C	20C				DP CHANNEL KEYS + LEV	A-GR.1	DISPLAYP. 1.862.813.00
					12C	20C				DP CHANNEL KEYS + LEV	A-GR.2	DISPLAYP. 1.862.813.00
3S2			6B	2	1A	19A				DP KEY DETECTION	A-GR.1+2	DISPLAYP. 1.862.812.00
					11A	19A				DP CHANNEL KEYS + LEV	A-GR.1	DISPLAYP. 1.862.813.00
					12A	19A				DP CHANNEL KEYS + LEV	A-GR.2	DISPLAYP. 1.862.813.00
3S3			6B	2	1C	19C				DP KEY DETECTION	A-GR.1+2	DISPLAYP. 1.862.812.00
					11C	19C				DP CHANNEL KEYS + LEV	A-GR.1	DISPLAYP. 1.862.813.00
					12C	19C				DP CHANNEL KEYS + LEV	A-GR.2	DISPLAYP. 1.862.813.00
3S4			6B	2	1A	18A				DP KEY DETECTION	A-GR.1+2	DISPLAYP. 1.862.812.00
					11A	18A				DP CHANNEL KEYS + LEV	A-GR.1	DISPLAYP. 1.862.813.00
					12A	18A				DP CHANNEL KEYS + LEV	A-GR.2	DISPLAYP. 1.862.813.00
3S5			6B	2	1C	18C				DP KEY DETECTION	A-GR.1+2	DISPLAYP. 1.862.812.00
					11C	18C				DP CHANNEL KEYS + LEV	A-GR.1	DISPLAYP. 1.862.813.00
					12C	18C				DP CHANNEL KEYS + LEV	A-GR.2	DISPLAYP. 1.862.813.00
3S6			6B	2	1A	17A				DP KEY DETECTION	A-GR.1+2	DISPLAYP. 1.862.812.00
					11A	17A				DP CHANNEL KEYS + LEV	A-GR.1	DISPLAYP. 1.862.813.00
					12A	17A				DP CHANNEL KEYS + LEV	A-GR.2	DISPLAYP. 1.862.813.00

* STUDER REVOX AG * SIGNAL STATISTICS * 91/02/19 * 11:24 * PAGE 578 *

* 1.862.010.00 D820-48 PCM TAPE - RECORDER * 90/03/21 - 00 *

Table with columns: SIG.NR, SIGNAL NAME, OCCUR-RENCE, COLOR, SPECIAL, # - NODE ASY GRP, SIG.NR, SIGNAL NAME, OCCUR-RENCE, COLOR, SPECIAL, # - NODE ASY GRP. Contains two columns of data.

* STUDER REVOX AG * SIGNAL STATISTICS * 91/02/19 * 11:24 * PAGE 579 *

* 1.862.010.00 D820-48 PCM TAPE - RECORDER * 90/03/21 - 00 *

Table with columns: SIG.NR, SIGNAL NAME, OCCUR-RENCE, COLOR, SPECIAL, # - NODE ASY GRP, SIG.NR, SIGNAL NAME, OCCUR-RENCE, COLOR, SPECIAL, # - NODE ASY GRP. Contains two columns of data.

* STUDER REVOX AG * S I G N A L S T A T I S T I C S * 91/02/19 * 11:24 * P A G E 586 *

* 1.862.010.00 D820-48 PCM TAPE - RECORDER * 90/03/21 - 00 *****

Table with columns: SIG.NR, SIGNAL NAME, OCCUR-RENCE, COLOR, SPECIAL, #-NODE ASY GRP, SIG.NR, SIGNAL NAME, OCCUR-RENCE, COLOR, SPECIAL, #-NODE ASY GRP. Contains two columns of data for IO and MA signal groups.

* STUDER REVOX AG * S I G N A L S T A T I S T I C S * 91/02/19 * 11:24 * P A G E 587 *

* 1.862.010.00 D820-48 PCM TAPE - RECORDER * 90/03/21 - 00 *****

Table with columns: SIG.NR, SIGNAL NAME, OCCUR-RENCE, COLOR, SPECIAL, #-NODE ASY GRP, SIG.NR, SIGNAL NAME, OCCUR-RENCE, COLOR, SPECIAL, #-NODE ASY GRP. Contains two columns of data for MA-ICH and MA-IDA signal groups.

* STUDER REVOX AG * S I G N A L S T A T I S T I C S * 91/02/19 * 11:24 * P A G E 590 *

1.862.010.00 D820-48 PCM TAPE - RECORDER * 90/03/21 - 00

Table with columns: SIG.NR, SIGNAL NAME, OCCUR-RENCE, COLOR, SPECIAL, #-NODE ASY GRP, SIG.NR, SIGNAL NAME, OCCUR-RENCE, COLOR, SPECIAL, #-NODE ASY GRP. Lists various signal types like OC-RES1, PI-ADRO, PI-DADR, PI-DATA, PI-DENB, PI-DRES, PI-DRM, PI-DSL, PI-EBUR, PI-EBURC, PI-EBUTA, PI-EBUTB, PI-EBUTC, PI-ECLK, PI-EDAT, PI-ENB, PI-ETPH, PI-EVAL, PI-FIED, PI-IADRO, PI-IADR1, PI-IADR2, PI-IECLK, PI-IEDAT, PI-IENB, PI-IETPH, PI-IEVAL, PI-IRCLK, PI-IRES, PI-IRRXD, PI-IRTXD, PI-IRW, PI-ISCLK, PI-ISDAT, PI-ISL4, PI-ISL5, PI-ISTPH, PI-ISVAL, PI-RCLK, PI-RES, PI-RES1, PI-RES2, PI-RES3, PI-RES4, PI-RRXD, PI-RTXD, PI-RW, PI-SCLK, PI-SDAT, PI-SL4, PI-SL5, PI-STPH, PI-SVAL, PNLBUS1, PNLBUS2, PP-DAT10, PP-DAT11, PP-DAT12, PP-DAT13, PP-DAT14, PP-DAT15, PP-DAT16, PP-DAT17, PP-DAT18, PP-DAT19, PP-DAT20, PP-DAT21, PP-DAT22, PP-DAT23, PP-DAT24, PP-DAT25, PP-DAT26, PP-DAT27, PP-DAT28, PP-DAT29, PP-DAT30, PP-DAT31, PP-DAT32, PP-DAT33, PP-DAT34, PP-DAT35, PP-DAT36, PP-DAT37, PP-DAT38, PP-DAT39, PP-DAT40, PP-DAT41, PP-DAT42, PP-DAT43, PP-DAT44, PP-DAT45, PP-DAT46, PP-DAT47, PP-DAT48, PP-DAT49, PP-DAT50, PP-DAT51, PP-DAT52, PP-DAT53, PP-DAT54, PP-DAT55, PP-DAT56, PP-DAT57, PP-DAT58, PP-DAT59, PP-DAT60, PP-DAT61, PP-DAT62, PP-DAT63, PP-DAT64, PP-DAT65, PP-DAT66, PP-DAT67, PP-DAT68, PP-DAT69, PP-DAT70, PP-DAT71, PP-DAT72, PP-DAT73, PP-DAT74, PP-DAT75, PP-DAT76, PP-DAT77, PP-DAT78, PP-DAT79, PP-DAT80, PP-DAT81, PP-DAT82, PP-DAT83, PP-DAT84, PP-DAT85, PP-DAT86, PP-DAT87, PP-DAT88, PP-DAT89, PP-DAT90, PP-DAT91, PP-DAT92, PP-DAT93, PP-DAT94, PP-DAT95, PP-DAT96, PP-DAT97, PP-DAT98, PP-DAT99, PP-DAT100.

* STUDER REVOX AG * S I G N A L S T A T I S T I C S * 91/02/19 * 11:24 * P A G E 591 *

1.862.010.00 D820-48 PCM TAPE - RECORDER * 90/03/21 - 00

Table with columns: SIG.NR, SIGNAL NAME, OCCUR-RENCE, COLOR, SPECIAL, #-NODE ASY GRP, SIG.NR, SIGNAL NAME, OCCUR-RENCE, COLOR, SPECIAL, #-NODE ASY GRP. Lists various signal types like PPIDAT11, PPIDAT20, PPIDAT21, PPIDAT30, PPIDAT31, PPIDAT40, PPIDAT41, PPIDAT50, PPIDAT51, PPIDAT60, PPIDAT61, PNMPL-H1, PNMPL-H2, PNMPL-L1, PNMPL-L2, PNMPL-L3, PNMPL-L4, PNMPL-L5, PNMPL-L6, PNMPL-L7, PNMPL-L8, PNMPL-L9, PNMPL-L10, PNMPL-L11, PNMPL-L12, PNMPL-L13, PNMPL-L14, PNMPL-L15, PNMPL-L16, PNMPL-L17, PNMPL-L18, PNMPL-L19, PNMPL-L20, PNMPL-L21, PNMPL-L22, RECH-C1, RECH-C2, RECH-RT, RECH-TC, RECH-01, RECH-02, RECH-03, RECH-04, RECH-05, RECH-06, RECH-07, RECH-08, RECH-09, RECH-10, RECH-11, RECH-12, RECH-13, RECH-14, RECH-15, RECH-16, RECH-17, RECH-18, RECH-19, RECH-20, RECH-21, RECH-22, RECH-23, RECH-24, RECH-25, RECH-26, RECH-27, RECH-28, RECH-29, RECH-30, RECH-31, RECH-32, RECH-33, RECH-34, RECH-35, RECH-36, RECH-37, RECH-38, RECH-39, RECH-40, RECH-41, RECH-42, RECH-43, RECH-44, RECH-45, RECH-46, RECH-47, RECH-48, RECL-C1, RECL-C2, RECL-RT, RECL-TC, RECL-01, RECL-02, RECL-03, RECL-04, RECL-05, RECL-06, RECL-07, RECL-08, RECL-09, RECL-10, RECL-11, RECL-12, RECL-13, RECL-14, RECL-15, RECL-16, RECL-17, RECL-18, RECL-19, RECL-20, RECL-21, RECL-22, RECL-23, RECL-24.

* STUDER REVOX AG * S I G N A L S T A T I S T I C S * 91/02/19 * 11:24 * P A G E 594 *

* 1.862.010.00 D820-48 PCM TAPE - RECORDER * 90/03/21 - 00 *****

Table with columns: SIG.NR, SIGNAL NAME, OCCUR-RENCE, COLOR, SPECIAL, #-NODE ASY GRP, SIG.NR, SIGNAL NAME, OCCUR-RENCE, COLOR, SPECIAL, #-NODE ASY GRP. Contains two columns of data for REPRG and REPRS signals.

* STUDER REVOX AG * S I G N A L S T A T I S T I C S * 91/02/19 * 11:24 * P A G E 595 *

* 1.862.010.00 D820-48 PCM TAPE - RECORDER * 90/03/21 - 00 *****

Table with columns: SIG.NR, SIGNAL NAME, OCCUR-RENCE, COLOR, SPECIAL, #-NODE ASY GRP, SIG.NR, SIGNAL NAME, OCCUR-RENCE, COLOR, SPECIAL, #-NODE ASY GRP. Contains two columns of data for REPRS, RES, and T signals.

STUDER D820 MCH

```
*****
*   STUDER REVOX AG   * S I G N A L   S T A T I S T I C S   * 91/02/19 * 11:24 * P A G E 600 *
*****
*   1.862.010.00 D820-48   PCM TAPE - RECORDER   * 90/03/21 - 00   *
*****
```

SIG.NR	SIGNAL NAME	OCCUR- RENCE	COLOR	SPECIAL # * < @	#-NODE ASY GRP
002355	3CH3	2			
002356	3CH4	2			
002357	3CH5	2			
002358	3CH6	2			
002359	3CH7	2			
002360	3CH8	2			
002361	3D0	3			
002362	3D1	3			
002363	3D2	3			
002364	3D3	3			
002365	3D4	3			
002366	3D5	3			
002367	3D6	3			
002368	3D7	3			
002369	3LD1	2			
002370	3LD2	2			
002371	3LWR	3			
002372	3SWEN0	2			
002373	3SWEN1	2			
002374	3SWEN2	2			
002375	3SWEN3	1			
002376	3SWEN4	2			
002377	3SWEN5	2			
002378	3SWEN6	2			
002379	3SWEN7	1			
002380	3S0	3			
002381	3S1	3			
002382	3S2	3			
002383	3S3	3			
002384	3S4	3			
002385	3S5	3			
002386	3S6	3			
002387	3S7	3			