

PRELIMINARY MANUAL

D820X

2CH-DIGITAL-RECORDER

VOLUME II

DIAGRAMS

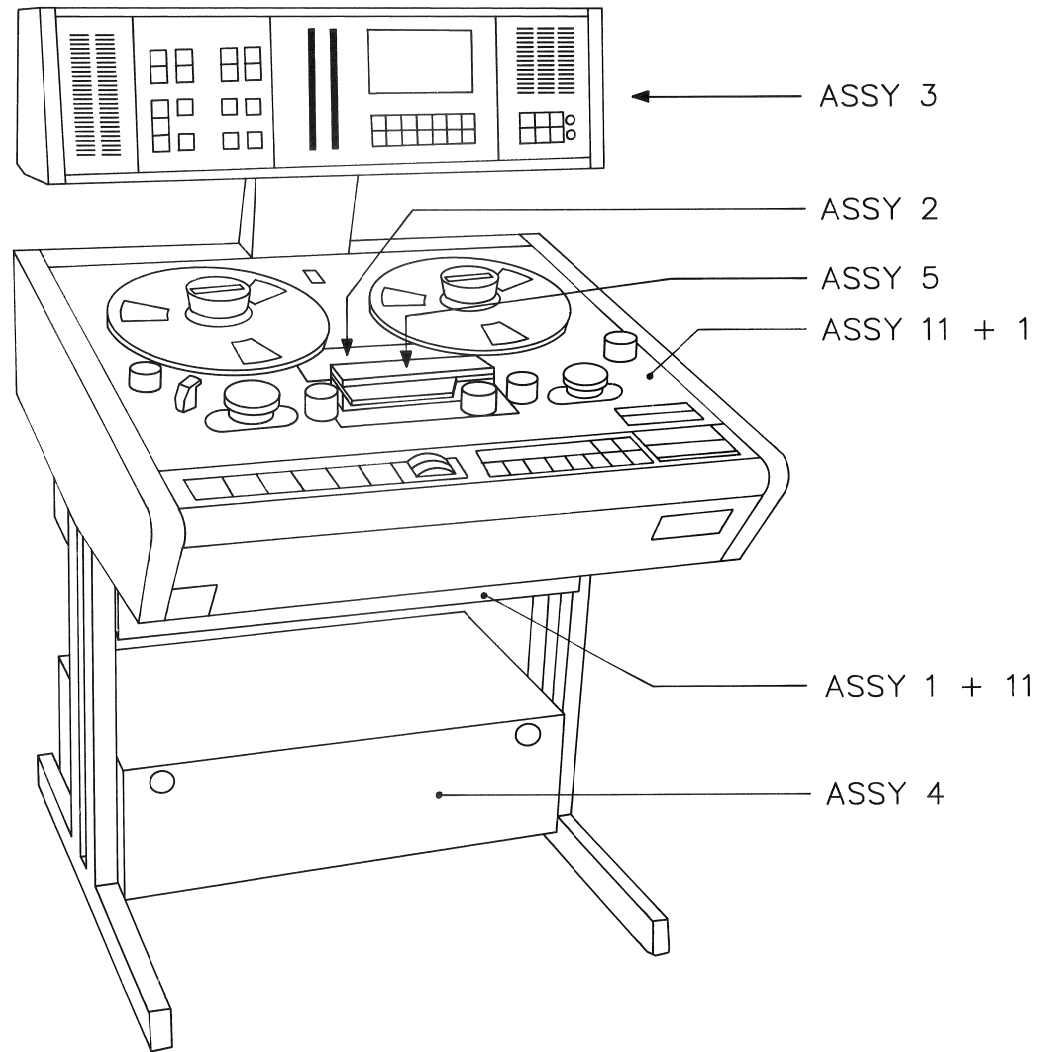
TABLE OF CONTENTS D820X VOLUME II

ASSEMBLY 1	(RACK ELECTRONICS)	SECTION 1
ASSEMBLY 2	(CAGE)	SECTION 2
ASSEMBLY 3	(PANELS)	SECTION 3
ASSEMBLY 4	(BOX)	SECTION 4
	(POWER SUPPLY BOX)	SECTION 4
ASSEMBLY 5	(HEADBLOCK)	SECTION 5
ASSEMBLY 11	(TRANSPORT)	SECTION 6

VOLUME I OPERATING	Order No. 10.27.0580
VOLUME III SERVICING	Order No. 10.27.0600
DOS-DISK (not yet available)	Order No. 10.27.0620
VOLUME I and VOLUME II and VOLUME III	Order No. 10.27.0610

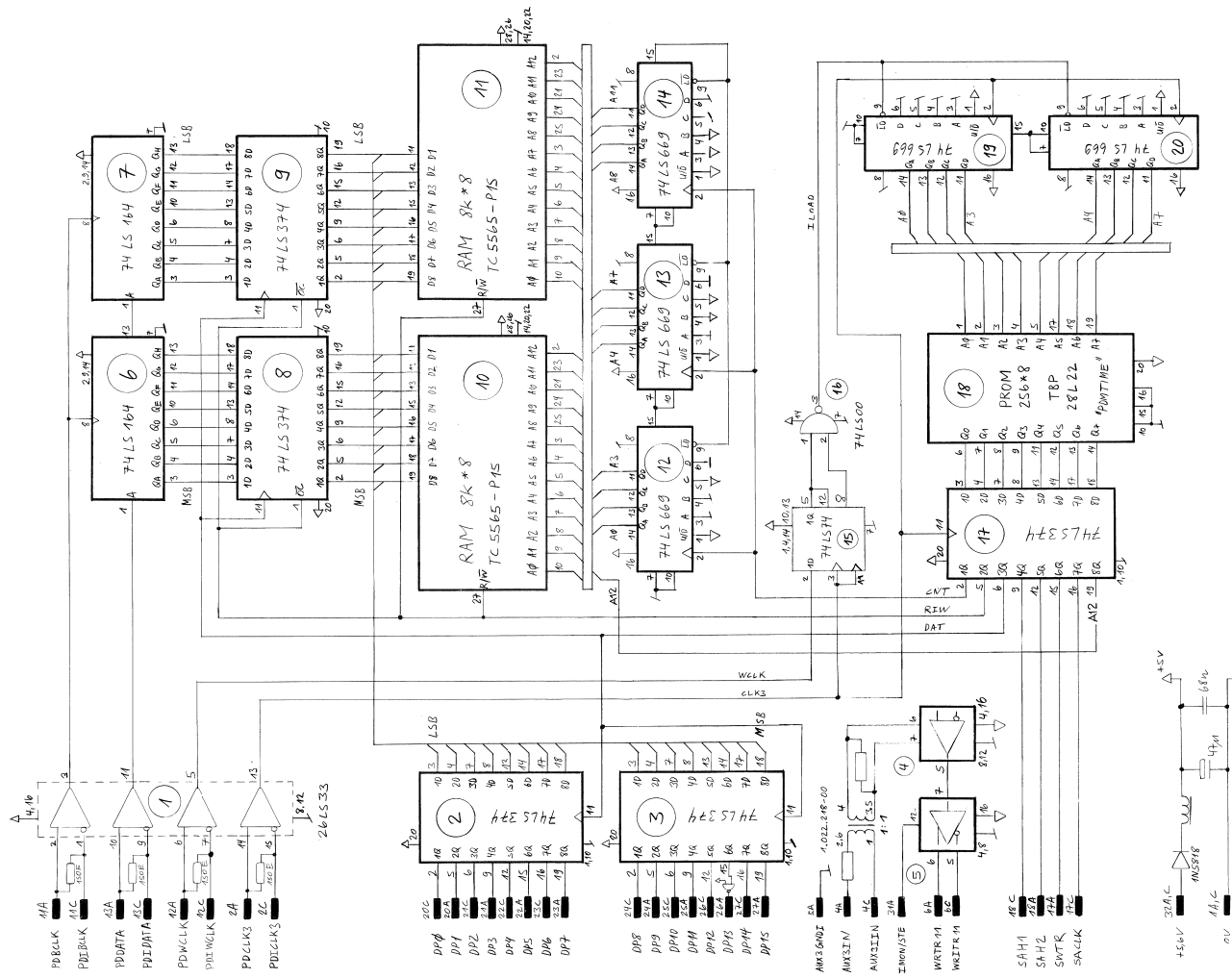
Prepared and edited by
 STUDER REVUX
 TECHNICAL DOCUMENTATION
 Althardstrasse 10
 CH-8105 Regensdorf-Zürich
 Copyright by Willi Studer AG
 Printed in Switzerland, Order no. 10.27.0590 (Ed. 1186)

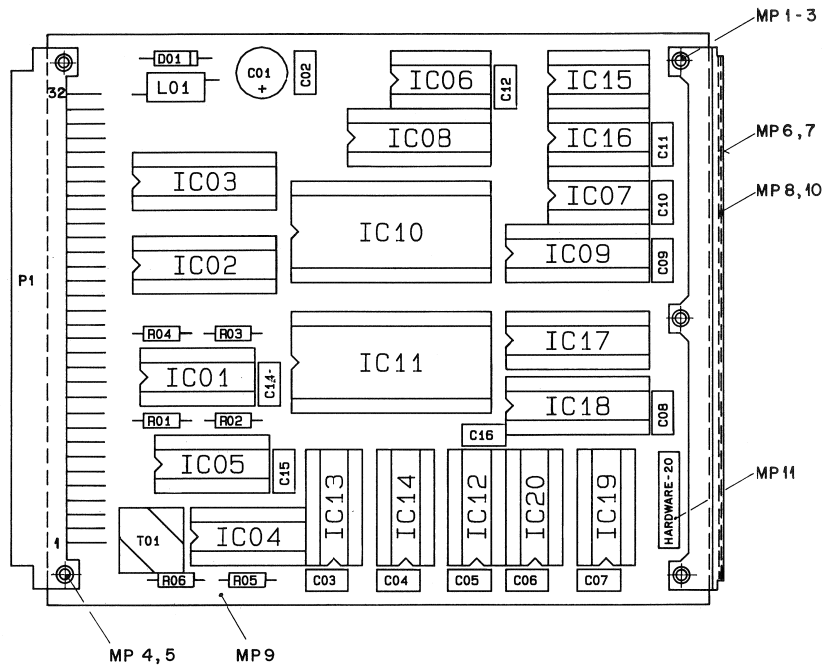
STUDER is a registered trade mark of
 STUDER INTERNATIONAL AG Regensdorf



1. ASSEMBLY 1**RACK ELECTRONICS**

<u>CONTENS</u>	<u>SCHEMATIC NO.</u>	<u>SECTION/PAGE</u>
BOARD LOCATION		1/2
CUE/PQ DELAY	1.861.816.00	1/3
PDM MODULATOR	1.861.811.81	1/7
PDM DEMODULATOR	1.861.812.00	1/11
ANALOG ROUTING	1.861.814.00	1/17
PDM CONTROL	1.861.813.00	1/21
DISPLAY INTERFACE	1.861.817.00	1/25
DELTA MOLEX INTERCON.	1.861.726.00	1/27
QUALITY DISPLAY	1.861.731.00	1/29
BACKPANEL RACK	1.861.890.00	1/31
CONNECTORFIELD CUE USA	1.861.586.00	1/32
CONNECTORFIELD CUE EURO	1.861.774.00	1/32





IND.	POS.NO.	PART NO.	VALUE	SPECIFICATIONS / EQUIVALENT	MANUF.
C1	99+22-5470	47u	20% 25V EL	ANY
C2	99+99+0205	68n	20% 20V CER	ANY
C3	99+99+0205	68n	20% 20V CER	ANY
C4	99+99+0205	68n	20% 20V CER	ANY
C5	99+99+0205	68n	20% 20V CER	ANY
C6	99+99+0205	68n	20% 20V CER	ANY
C7	99+99+0205	68n	20% 20V CER	ANY
C8	99+99+0205	68n	20% 20V CER	ANY
C9	99+99+0205	68n	20% 20V CER	ANY
C10	99+99+0205	68n	20% 20V CER	ANY
C11	99+99+0205	68n	20% 20V CER	ANY
C12	99+99+0205	68n	20% 20V CER	ANY
C14	99+99+0205	68n	20% 20V CER	ANY
C15	99+99+0205	68n	20% 20V CER	ANY
C16	99+99+0205	68n	20% 20V CER	ANY

G1	50+04+0512		IN 5818	ANY
IC1	90+15+0109		AM26 LS 33 PC+ DS26 LS33 CN	ANY
IC2	90+16+0374		SN 74 LS 374 N	ANY
IC3	90+16+0374		SN 74 LS 374 N	ANY
IC4	90+15+0109		AM26 LS 33 PC+ DS26 LS33 CN	ANY
IC5	90+15+0109		AM26 LS 31 PC+ AM26 LS31 CN	ANY
IC6	90+16+0374		SN 74 LS 374 N	ANY
IC7	90+16+0374		SN 74 LS 374 N	ANY
IC8	90+16+0374		SN 74 LS 374 N	ANY
IC9	90+16+0374		SN 74 LS 374 N	ANY
IC10	90+14+0133		HM 6264 P-15 TC 5564-15	ANY
IC11	90+14+0133		HM 6264 P-15 TC 5564-15	ANY
IC12	90+16+0669		SN 74 LS 669 N	ANY
IC13	90+16+0669		SN 74 LS 669 N	ANY
IC14	90+16+0669		SN 74 LS 669 N	ANY
IC15	90+16+0669		SN 74 LS 669 N	ANY
IC16	90+16+0669		SN 74 LS 669 N	ANY
IC17	90+16+0669		SN 74 LS 669 N	ANY
IC18	90+16+0669		SN 74 LS 669 N	ANY
IC19	90+16+0669		SN 74 LS 669 N	ANY

S T U D E R (20) 85/01/20 Sn CUE/PQ DELAY 1.861.816.00 PAGE 1

IND.	POS.NO.	PART NO.	VALUE	SPECIFICATIONS / EQUIVALENT	MANUF.
IC20	50+06+0669		SN 74 LS 669 N	ANY
L1	62+01+0115		WIDE-BAND HF-CHOKER	PH
MP1	28+21+1370		RIVETING NUT+ D2+25*5	ANY
MP2	28+21+1370		RIVETING NUT+ D2+25*5	ANY
MP3	28+21+1370		RIVETING NUT+ D2+25*5	ANY
MP4	28+21+1370		RIVETING NUT+ D2+25*5	ANY
MP5	28+21+1370		RIVETING NUT+ D2+25*5	ANY
MP6	1+010+006+33		MARKING HANDLE	SE
MP7	1+010+006+33		MARKING HANDLE	SE
MP8	1+010+006+33		MARKING HANDLE	SE
MP9	1+010+006+33		MARKING HANDLE	SE
MP10	1+010+006+33		MARKING HANDLE	SE
MP11	1+010+006+33		MARKING HANDLE	SE

P1	54+01+0365		CARD CONNECTOR, 2P32 EURO SOLDERING	ANY
R1	57+11+4151	150	Ω	ANY
R2	57+11+4151	150	Ω	ANY
R3	57+11+4151	150	Ω	ANY
R4	57+11+4151	150	Ω	ANY
R5	57+11+4151	150	Ω	ANY
R6	57+11+4151	150	Ω	ANY
T1	1+022+216+00		INPUT TRANSFORMER 1 1 1	SE
XIC1	53+03+0168		DIL 16-PIN	ANY
XIC2	53+03+0168		DIL 20-PIN	ANY
XIC3	53+03+0168		DIL 20-PIN	ANY
XIC4	53+03+0168		DIL 16-PIN	ANY
XIC5	53+03+0168		DIL 16-PIN	ANY
XIC6	53+03+0168		DIL 16-PIN	ANY
XIC7	53+03+0168		DIL 16-PIN	ANY
XIC8	53+03+0168		DIL 16-PIN	ANY
XIC9	53+03+0168		DIL 20-PIN	ANY
XIC10	53+03+0168		DIL 20-PIN	ANY

S T U D E R (20) 85/01/20 Sn CUE/PQ DELAY 1.861.816.00 PAGE 2

IND.	POS.NO.	PART NO.	VALUE	SPECIFICATIONS / EQUIVALENT	MANUF.
XIC11	53+03+0168		DIL 16-PIN	ANY
XIC12	53+03+0168		DIL 16-PIN	ANY
XIC13	53+03+0168		DIL 16-PIN	ANY
XIC14	53+03+0168		DIL 16-PIN	ANY
XIC15	53+03+0168		DIL 16-PIN	ANY
XIC16	53+03+0168		DIL 16-PIN	ANY
XIC17	53+03+0168		DIL 16-PIN	ANY
XIC18	53+03+0168		DIL 20-PIN	ANY
XIC19	53+03+0168		DIL 20-PIN	ANY
XIC20	53+03+0168		DIL 16-PIN	ANY

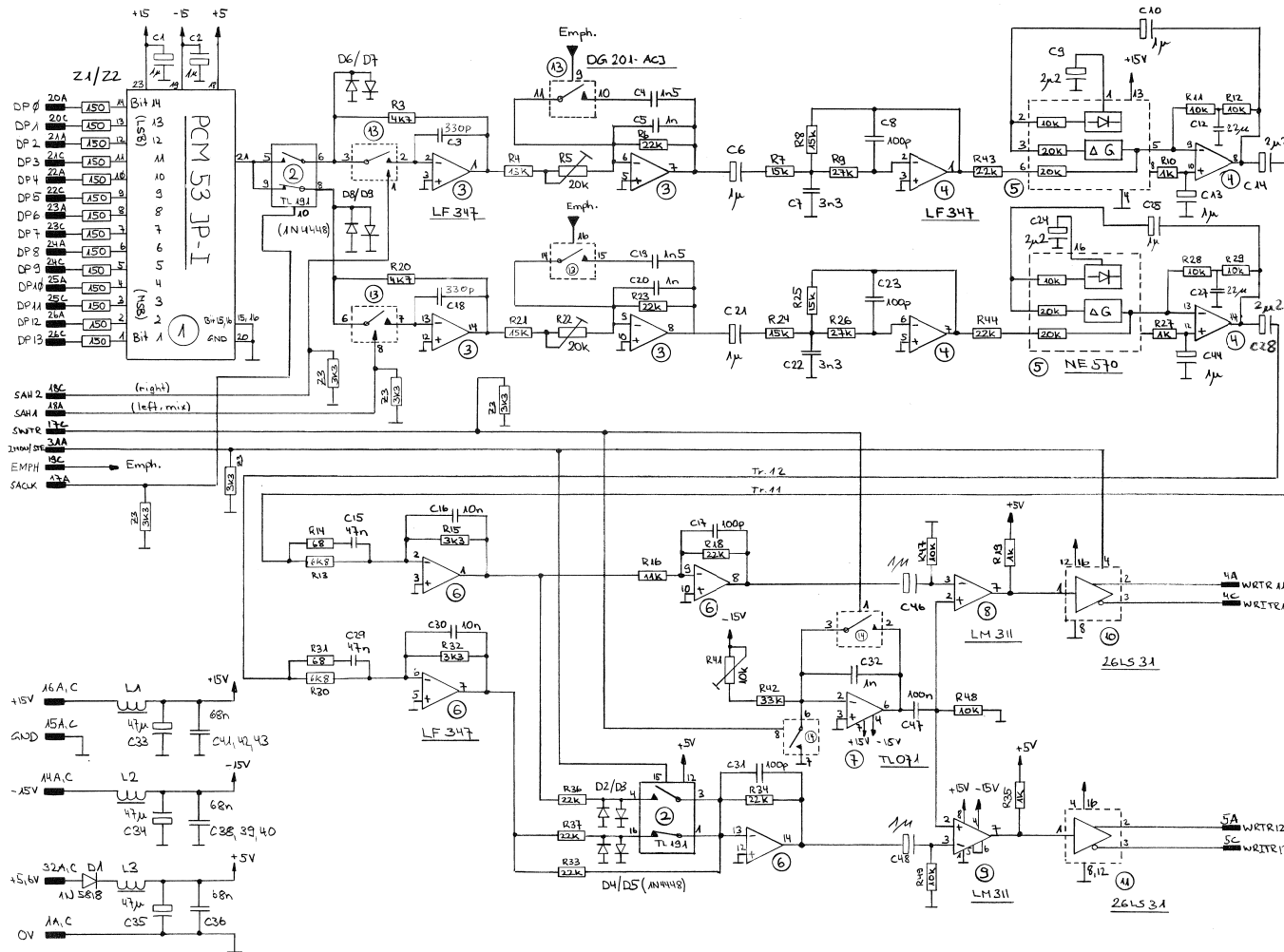
REMARKS:

MANUFACTURERS:
SE = STUDER
PH = PHILIPS

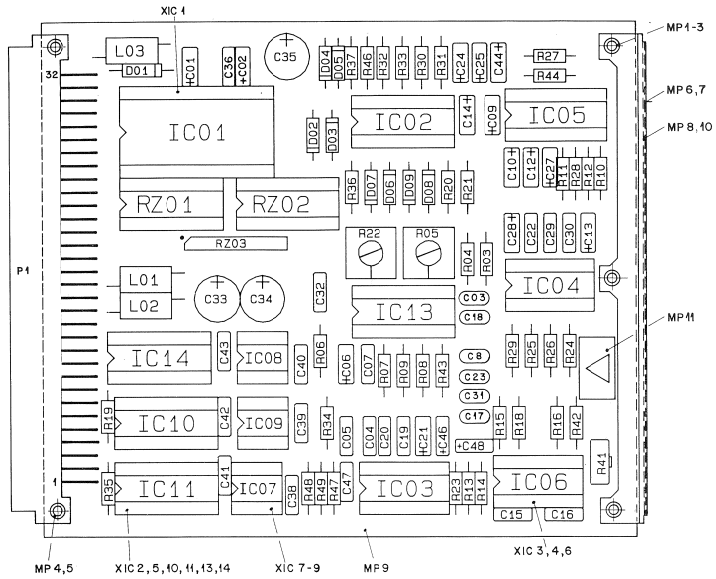
ABBREVIATIONS:
CER = CERAMIC / EL = ELECTROLYTIC
XIC = IC SOCKET

DAIG 85/01/20

S T U D E R (20) 85/01/20 Sn CUE/PQ DELAY 1.861.816.00 PAGE 3



1.861.811.81
D 820 X
PDM - MODULATOR (ANALOG.)
PAGE 1 OF 1



IND.	POS.ND.	PART NO.	VALUE	SPECIFICATIONS / EQUIVALENT	MANUF.
C....1	59.26.9109	1u	20K		ANY
C....2	59.26.9101	1u	20K		ANY
C....3	59.34.4351	3300	20K		ANY
C....4	59.06.0152	15000	10K		ANY
C....5	59.06.0102	10000	10K		ANY
C....6	59.26.9109	1u	20K		ANY
C....7	59.06.0332	33000	10K		ANY
C....8	59.34.4101	1000	5K		ANY
C....9	59.26.9109	2.2u	20K		ANY
C....10	59.26.9109	1u	20K		ANY
C....11	59.26.9109	2.2u	20K		ANY
C....12	59.26.9109	1u	20K		ANY
C....13	59.26.9109	1u	20K		ANY
C....14	59.26.9109	2.2u	20K		ANY
C....15	59.06.5973	47n	5K		ANY
C....16	59.06.5133	10n	5K		ANY
C....17	59.34.4101	1000	20K		ANY
C....18	59.34.4351	3300	20K		ANY
C....19	59.06.0152	15000	10K		ANY
C....20	59.06.0102	10000	10K		ANY
C....21	59.26.9109	1u	20K		ANY
C....22	59.06.0332	33000	10K		ANY
C....23	59.34.4101	1000	5K		ANY
C....24	59.26.9109	2.2u	20K		ANY
C....25	59.26.9109	1u	20K		ANY
C....26	59.26.9109	2.2u	20K		ANY
C....27	59.26.9109	2.2u	20K		ANY
C....28	59.26.9109	2.2u	20K		ANY
C....29	59.06.5133	47n	5K		ANY
C....30	59.06.5103	10n	5K		ANY
C....31	59.34.4101	1000	20K		ANY
C....32	59.06.0102	10000	10K		ANY
C....33	59.22.5170	47u	20K		ANY
C....34	59.22.5170	47u	20K		ANY
C....35	59.06.0583	68n	10K		ANY
C....36	59.06.0583	68n	10K		ANY
C....37	59.06.0583	68n	10K		ANY
C....38	59.06.0583	68n	10K		ANY
C....39	59.06.0583	68n	10K		ANY
C....40	59.06.0583	68n	10K		ANY

STUDER (00) 86/10/10 Sn PDM MODULATOR 1.861-811.81 PAGE 1

IND.	POS.ND.	PART NO.	VALUE	SPECIFICATIONS / EQUIVALENT	MANUF.
C....41	59.06.0583	68n	10K		ANY
C....42	59.06.0583	68n	10K		ANY
C....43	59.06.0583	68n	10K		ANY
C....44	59.26.9109	1u	20K		ANY
C....45	59.26.9109	2.2u	20K		ANY
C....46	59.06.0104	100n	20K		ANY
C....47	59.26.9109	1u	20K		ANY
D....1	50.04.0512		IN 5818 IN 5819		ANY
D....2	50.04.0225		IN 4488		ANY
D....3	50.04.0225		IN 4488		ANY
D....4	50.04.0225		IN 4488		ANY
D....5	50.04.0225		IN 4488		ANY
D....6	50.04.0225		IN 4488		ANY
D....7	50.04.0225		IN 4488		ANY
D....8	50.04.0225		IN 4488		ANY
D....9	50.04.0225		IN 4488		ANY
I....1	50.15.0103		PCF 51 JG-I		BB
I....2	50.11.0220		IL 191 CN DG 390 CJ		ANY
I....3	50.09.0104		LF 147 N		ANY
I....4	50.09.0104		LF 147 N		ANY
I....5	50.09.0104		LF 147 N		ANY
I....6	50.09.0104		LF 147 N		ANY
I....7	50.11.0114		LM 311 N; LM 311 P		ANY
I....8	50.15.0108		AMP LS 31 PC; AR2 LS 31 CN		ANY
I....9	50.15.0108		AMP LS 31 PC; AR2 LS 31 CN		ANY
I....10	50.15.0108		AMP LS 31 PC; AR2 LS 31 CN		ANY
I....11	50.07.0934		DG 201 ACJ; HI 3-201-5		ANY
I....12	50.07.0934		DG 201 ACJ; HI 3-201-5		ANY
I....13	50.07.0934		DG 201 ACJ; HI 3-201-5		ANY
I....14	50.07.0934		DG 201 ACJ; HI 3-201-5		ANY
L....1	62.01.0115		WIE-BAND HF-CHOKER		PH
L....2	62.01.0115		WIE-BAND HF-CHOKER		PH
L....3	62.01.0115		WIE-BAND HF-CHOKER		PH
MP....1	28.21.1370		RIVETING INST. 02-2595.5		ANY

STUDER (00) 86/10/10 Sn PDM MODULATOR 1.861-811.81 PAGE 2

IND.	POS.ND.	PART NO.	VALUE	SPECIFICATIONS / EQUIVALENT	MANUF.
MP....2	28.21.1370		RIVETING INST. 02-2595.5		ANY
MP....3	28.21.1370		RIVETING INST. 02-2595.5		ANY
MP....4	28.99.0119		RIVETING INST. 02-560-15910		ANY
MP....5	28.99.0119		RIVETING INST. 02-560-15910		ANY
MP....6	1.010.006.33		MARKING HANDLE		ANY
MP....7	1.010.006.33		MARKING HANDLE		ANY
MP....8	1.010.006.49		TRANSPARENT COVER		ANY
MP....9	1.861.811.12		PCB		SE
MP....10	1.861.811.01		NAM. PLATE G. 3991		SE
MP....11	6.303.010.00		LABEL RESIST		ANY
P....1	54.01.0365		CARD CONNECTOR, 2932 EURO SOLDERING		ANY
R....3	57.11.4472		4.7K 5%		ANY
R....4	57.11.4553		15K 5%		ANY
R....5	58.01.8053		20K 10%		ANY
R....6	57.11.4223		22K 5%		ANY
R....7	57.11.4553		15K 5%		ANY
R....8	57.11.4553		15K 5%		ANY
R....9	57.11.4573		27K 5%		ANY
R....10	57.11.4102		1K 5%		ANY
R....11	57.11.4103		10K 5%		ANY
R....12	57.11.4103		10K 5%		ANY
R....13	57.11.4102		6.8K 5%		ANY
R....14	57.11.4580		68K 5%		ANY
R....15	57.11.4102		3.3K 5%		ANY
R....16	57.11.3115		11K 5%		ANY
R....17	57.11.4223		22K 5%		ANY
R....18	57.11.4102		1K 5%		ANY
R....19	57.11.4102		1K 5%		ANY
R....20	57.11.4102		1K 5%		ANY
R....21	57.11.4553		15K 5%		ANY
R....22	58.01.8053		20K 10%		ANY
R....23	57.11.4223		22K 5%		ANY
R....24	57.11.4553		15K 5%		ANY
R....25	57.11.4553		15K 5%		ANY
R....26	57.11.4573		27K 5%		ANY
R....27	57.11.4102		1K 5%		ANY

STUDER (00) 86/10/10 Sn PDM MODULATOR 1.861-811.81 PAGE 3

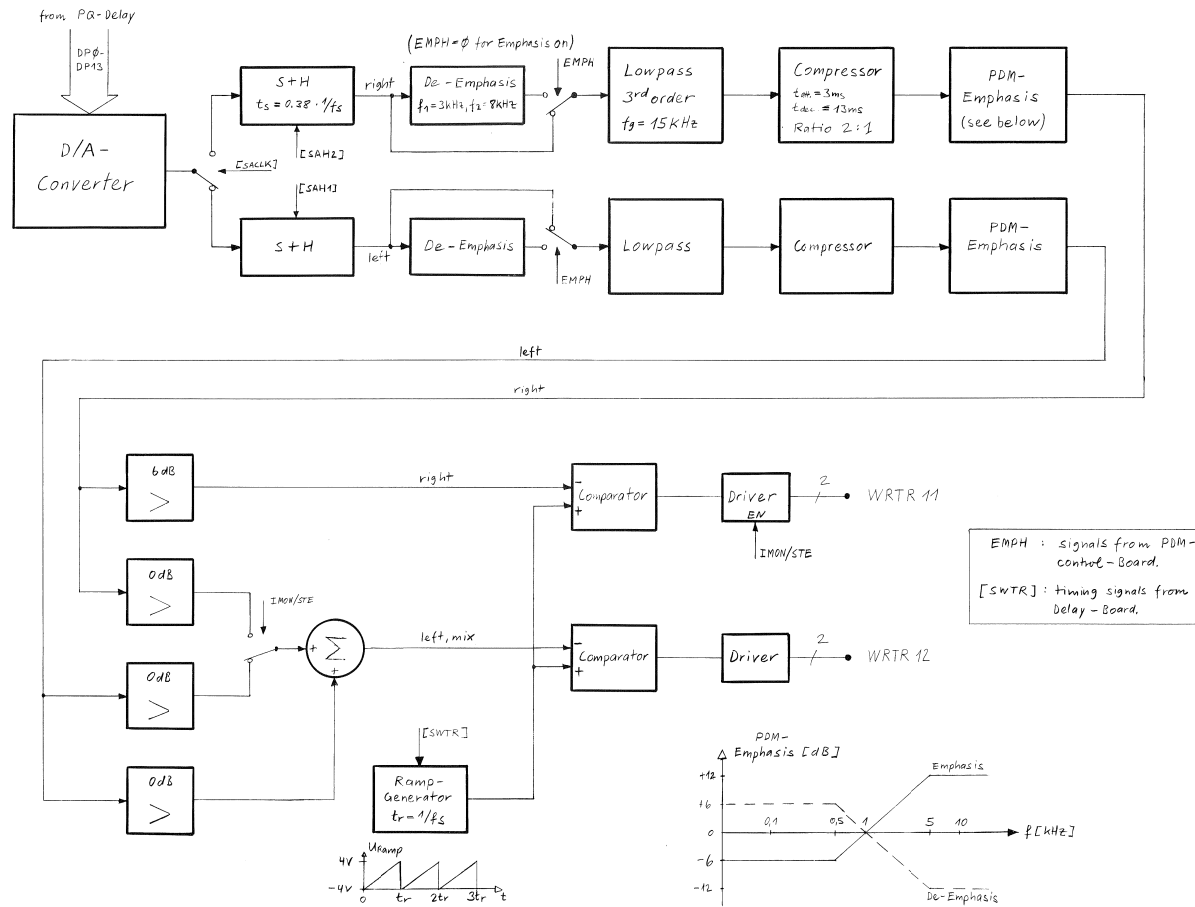
IND.	POS.ND.	PART NO.	VALUE	SPECIFICATIONS / EQUIVALENT	MANUF.
R....28	57.11.4103		10K 5%		ANY
R....29	57.11.4103		10K 5%		ANY
R....30	57.11.4682		6.8K 5%		ANY
R....31	57.11.4682		6.8K 5%		ANY
R....32	57.11.4332		3.3K 5%		ANY
R....33	57.11.4682		6.8K 5%		ANY
R....34	57.11.4223		22K 5%		ANY
R....35	57.11.4223		22K 5%		ANY
R....36	57.11.4223		22K 5%		ANY
R....37	57.11.4223		22K 5%		ANY
R....38	57.11.4223		22K 5%		ANY
R....39	57.11.4223		22K 5%		ANY
R....40	57.11.4223		22K 5%		ANY
R....41	58.01.9103		10K 10%		ANY
R....42	57.11.4333		33K 5%		ANY
R....43	57.11.4223		22K 5%		ANY
R....44	57.11.4223		22K 5%		ANY
R....45	57.11.4103		10K 5%		ANY
R....46	57.11.4103		10K 5%		ANY
R....47	57.11.4103		10K 5%		ANY
R....48	57.11.4103		10K 5%		ANY
R....49	57.11.4103		10K 5%		ANY
R....50	57.88.3151		150		ANY
R....51	57.88.3151		150		ANY
R....52	57.88.4352		3.3K		ANY
XIC....1	53.03.0169		DIL 24-PIN		ANY
XIC....2	53.03.0168		DIL 16-PIN		ANY
XIC....3	53.03.0167		DIL 16-PIN		ANY
XIC....4	53.03.0167		DIL 16-PIN		ANY
XIC....5	53.03.0168		DIL 16-PIN		ANY
XIC....6	53.03.0167		DIL 16-PIN		ANY
XIC....7	53.03.0166		DIL 8-PIN		ANY
XIC....8	53.03.0166		DIL 8-PIN		ANY
XIC....9	53.03.0166		DIL 16-PIN		ANY
XIC....10	53.03.0168		DIL 16-PIN		ANY
XIC....11	53.03.0168		DIL 16-PIN		ANY
XIC....12	53.03.0168		DIL 16-PIN		ANY
XIC....13	53.03.0168		DIL 16-PIN		ANY
XIC....14	53.03.0168		DIL 16-PIN		ANY
XIC....15	53.03.0168		DIL 16-PIN		ANY
XIC....16	53.03.0168		DIL 16-PIN		ANY

STUDER (00) 86/10/10 Sn PDM MODULATOR 1.861-811.81 PAGE 4

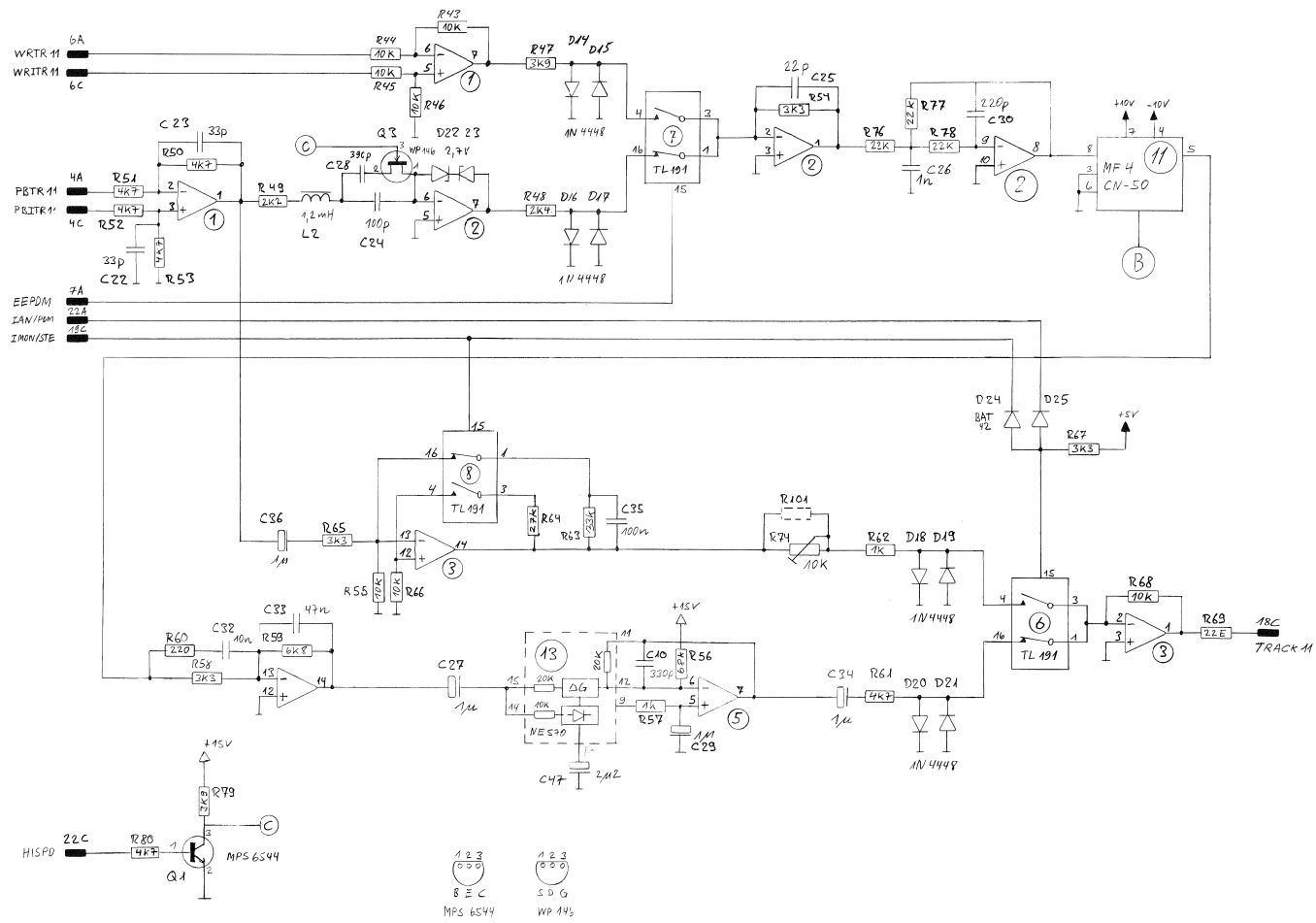
IND.	POS.ND.	PART NO.	VALUE	SPECIFICATIONS / EQUIVALENT	MANUF.
REMARKS:					
MANUFACTURERS:					
S = STUDER / SIG = SIGNETICS / BB = BURR-BROWN					
Ph = PHILIPS					
ABBREVIATIONS:					
CE = CERAMIC / EL = ELECTROLYTIC					
XIC = IC SOCKET					
DRIG 86/10/10					

STUDER (00) 86/10/10 Sn PDM MODULATOR 1.861-811.81 PAGE 5

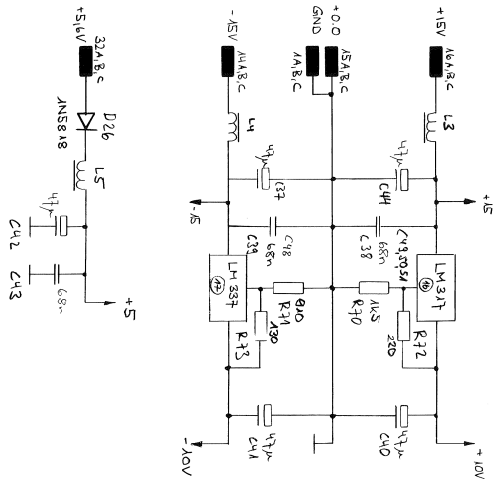
Autoren				
Datum	16.10.86			
Gez.	AHo			
Gepr.				
Gepr.				
Index				
Kopier Nr.: 24 NOV 1988				
1.861.811-81				



0	09.12.85	May
BLOCKDIAGRAM		
D820X		
PDM MODULATOR		
PAGE 1 OF 1		1.861.811.81



PAGE 2 OF 2	
1.861.812.00	
PDM-DEMODULATOR (TRACK 11)	
0 2.5.09.85 May	0 06.12.85 May
D 820 X	
STUDER	



CH 1:

- 4A = POTR A1
- 4C = PRTR A1
- 6A = WRTR A1
- 6C = WRTR A1
- 18A = PDM-1

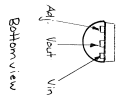
CH 2:

- 8A = FTSTR A2
- 8C = PRTR A2
- 10A = WRTR A2
- 10C = WRTR A2
- 18C = PDM-2

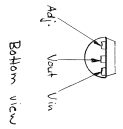
SIMILAR CIRCUIT AS ABOVE. STABILIZERS AND WRITE SPEED CIRCUITRY ONLY USED ONCE.

CONNECTION DIAGRAM

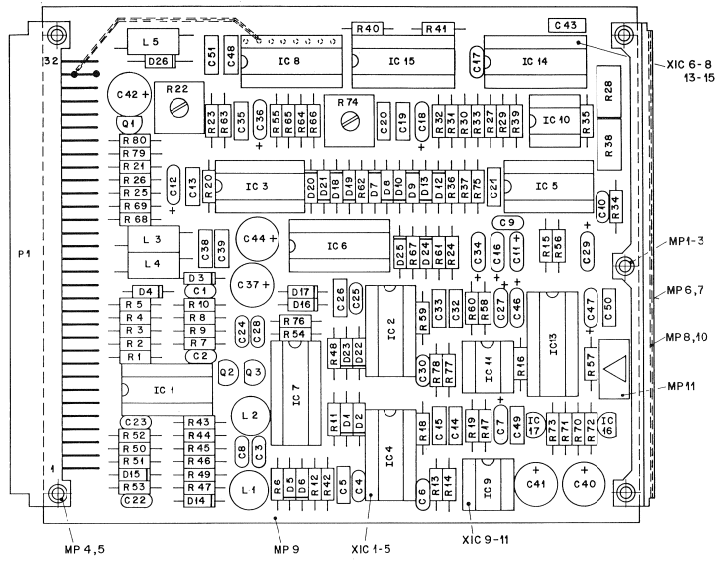
LM317:



LM337:



03.06 85	AR
		D820 X		PAGE 1 OF 1
STUDER	PDM DEMOD. PWR SUPPLY			1.861.812



Accepted			
20.10.86			
12.1.86 A.Ho			
Datum	Gez	Gepr	Gez. Index
Kopie Nr:			
24. NOV 1988			
Number: 1.861.812-00			

IND.	POS.ND.	PART NO.	VALUE	SPECIFICATIONS / EQUIVALENT	MANUF.
D....25		50-04-C127	BAT 67,	BAT 65, BAS 40-02	ANY
D....26		50-04-C127	BAT 67,	BAT 65, BAS 40-02	ANY
IC....1		50-09-C104	LF 347 N		ANY
IC....2		50-09-C104	LF 347 N		ANY
IC....3		50-09-C104	LF 347 N		ANY
IC....4		50-09-C104	LF 347 N		ANY
IC....5		50-09-C104	LF 347 N		ANY
IC....6		50-11-C120	IL 191 CNv DG 390 CJ		ANY
IC....7		50-11-C120	IL 191 CNv DG 390 CJ		ANY
IC....8		50-11-C120	IL 191 CNv DG 390 CJ		ANY
IC....9		50-11-C135	MECC-90 (P10)		ANY
IC....10		50-11-C104	LF 347 N		ANY
IC....11		50-11-C135	MECC-90 (P10)		ANY
IC....12		50-11-C134	NETON COMPANDER		510
IC....13		50-06-C123	76 123		ANY
IC....14		50-07-C066	MC 14046 BPC		ANY
IC....15		50-10-C108	LM 337 LZ		ANY
IC....16		50-10-C109	LM 337 LZ		ANY
IC....17		50-10-C109	LM 337 LZ		ANY
L....11		62-02-Z122	1ZHM	FILTER COIL	TKK
L....12		62-02-Z122	1ZHM	FILTER COIL	TKK
L....13		62-01-C115		MIEE-BAND HF-CHOK	PH
L....14		62-01-C115		MIEE-BAND HF-CHOK	PH
L....15		62-01-C115		MIEE-BAND HF-CHOK	PH
L....16		62-01-C115		MIEE-BAND HF-CHOK	PH
L....17		62-01-C115		MIEE-BAND HF-CHOK	PH
NP....1		28-21-1370	1 PCS	RIVETING NUT, D2-2595*5	ANY
NP....2		28-21-1370	1 PCS	RIVETING NUT, D2-2595*5	ANY
NP....3		28-21-1370	1 PCS	RIVETING NUT, D2-2595*5	ANY
NP....4		28-99-C119	1 PCS	RIVETING NUT, D2-590*15*10	ANY
NP....5		28-99-C119	1 PCS	RIVETING NUT, D2-590*15*10	ANY
NP....6		1-010-006-33	1 PCS	MARKING HANDLE	SE
NP....7		1-010-006-33	1 PCS	MARKING HANDLE	SE
NP....8		1-010-006-33	1 PCS	MARKING HANDLE	SE
NP....9		1-010-006-33	1 PCS	MARKING HANDLE	SE
NP....10		1-010-006-33	1 PCS	MARKING HANDLE	SE
NP....11		43-01-C108	1 PCS	ESL-LABEL	SE

S T U D E R (00) 86/10/07 5h PDM DEMODULATOR 1.861.812.00 PAGE 3

IND.	POS.ND.	PART NO.	VALUE	SPECIFICATIONS / EQUIVALENT	MANUF.
P.....1		54-01-Z365		CAID CONNECTOR, 2932 EURO SOLDERING	ANY
Q....1		50-03-Z327		MP 6544 NPN	ANY
Q....2		50-03-Z329		MP 146 PNP-FET	ANY
Q....3		50-03-Z329		MP 146 PNP-FET	ANY
R.....1		57-11-103	10k 5%		ANY
R.....2		57-11-103	10k 5%		ANY
R.....3		57-11-103	10k 5%		ANY
R.....4		57-11-103	10k 5%		ANY
R.....5		57-11-103	10k 5%		ANY
R.....6		57-11-222	22k 5%		ANY
R.....7		57-11-103	10k 5%		ANY
R.....8		57-11-472	47k 5%		ANY
R.....9		57-11-472	47k 5%		ANY
R.....10		57-11-472	47k 5%		ANY
R.....11		57-11-222	22k 5%		ANY
R.....12		57-11-222	22k 5%		ANY
R.....13		57-11-222	22k 5%		ANY
R.....14		57-11-222	22k 5%		ANY
R.....15		57-11-103	10k 5%		ANY
R.....16		57-11-103	10k 5%		ANY
R.....17		57-11-103	10k 5%		ANY
R.....18		57-11-402	40k 5%		ANY
R.....19		57-11-103	10k 5%		ANY
R.....20		57-11-333	33k 5%		ANY
R.....21		57-11-333	33k 5%		ANY
R.....22		57-11-103	10k 5%		ANY
R.....23		57-11-103	10k 5%		ANY
R.....24		57-11-472	47k 5%		ANY
R.....25		57-11-103	10k 5%		ANY
R.....26		57-11-222	22k 5%		ANY
R.....27		57-11-103	10k 5%		ANY
R.....28		58-01-903	90k 5%		ANY
R.....29		57-11-103	10k 5%		ANY
R.....30		57-11-103	10k 5%		ANY

S T U D E R (00) 86/10/07 5h PDM DEMODULATOR 1.861.812.00 PAGE 4

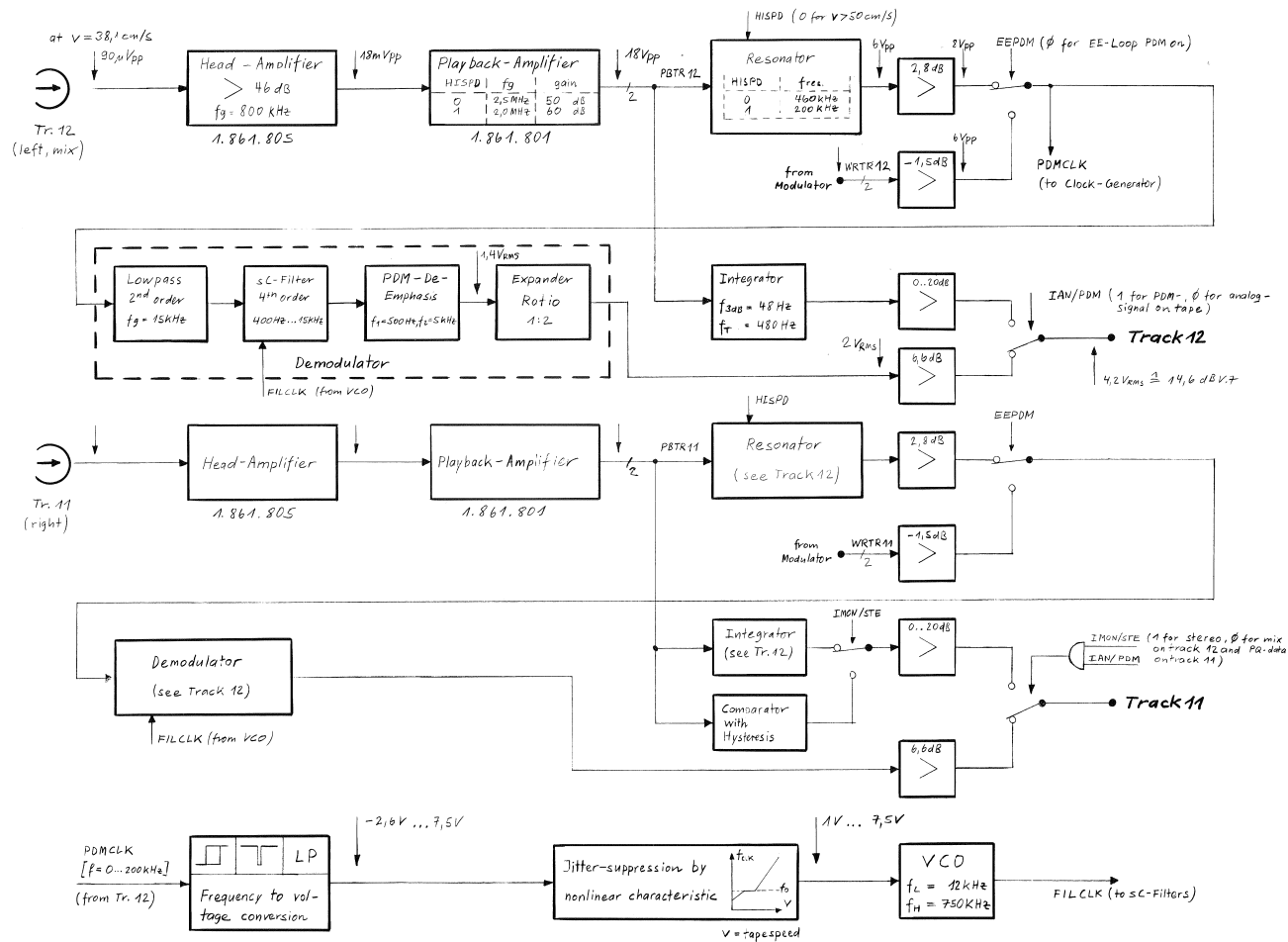
IND.	POS.ND.	PART NO.	VALUE	SPECIFICATIONS / EQUIVALENT	MANUF.
R.....32		57-11-333	33k 5%		ANY
R.....33		57-11-333	33k 5%		ANY
R.....34		57-11-103	10k 5%		ANY
R.....35		57-11-303	30k 5%		ANY
R.....36		57-11-103	10k 5%		ANY
R.....37		57-11-103	10k 5%		ANY
R.....38		58-01-903	90k 5%		ANY
R.....39		57-11-222	22k 5%		ANY
R.....40		57-11-103	10k 5%		ANY
R.....41		57-11-462	5.6k 5%		ANY
R.....42		57-11-103	10k 5%		ANY
R.....43		57-11-103	10k 5%		ANY
R.....44		57-11-103	10k 5%		ANY
R.....45		57-11-103	10k 5%		ANY
R.....46		57-11-103	10k 5%		ANY
R.....47		57-11-492	3.9k 5%		ANY
R.....48		57-11-222	2.2k 5%		ANY
R.....49		57-11-222	2.2k 5%		ANY
R.....50		57-11-472	4.7k 5%		ANY
R.....51		57-11-472	4.7k 5%		ANY
R.....52		57-11-103	10k 5%		ANY
R.....53		57-11-472	4.7k 5%		ANY
R.....54		57-11-103	10k 5%		ANY
R.....55		57-11-103	10k 5%		ANY
R.....56		57-11-103	10k 5%		ANY
R.....57		57-11-103	10k 5%		ANY
R.....58		57-11-103	10k 5%		ANY
R.....59		57-11-602	6.0k 5%		ANY
R.....60		57-11-103	10k 5%		ANY
R.....61		57-11-472	4.7k 5%		ANY
R.....62		57-11-103	10k 5%		ANY
R.....63		57-11-333	33k 5%		ANY
R.....64		57-11-103	10k 5%		ANY
R.....65		57-11-333	33k 5%		ANY
R.....66		57-11-103	10k 5%		ANY
R.....67		57-11-333	3.3k 5%		ANY
R.....68		57-11-103	10k 5%		ANY
R.....69		57-11-408	40k 5%		ANY
R.....70		57-11-103	10k 5%		ANY
R.....71		57-11-333	3.3k 5%		ANY
R.....72		57-11-103	10k 5%		ANY
R.....73		57-11-103	10k 5%		ANY
R.....74		57-11-103	10k 5%		ANY
R.....75		57-11-103	10k 5%		ANY
R.....76		57-11-103	10k 5%		ANY
R.....77		57-11-103	10k 5%		ANY
R.....78		57-11-103	10k 5%		ANY
R.....79		57-11-432	3.9k 5%		ANY
R.....80		57-11-103	10k 5%		ANY

S T U D E R (00) 86/10/07 5h PDM DEMODULATOR 1.861.812.00 PAGE 5

IND.	POS.ND.	PART NO.	VALUE	SPECIFICATIONS / EQUIVALENT	MANUF.
C.....1		59-32-1330	33p 20%		ANY
C.....2		59-32-1330	33p 20%		ANY
C.....3		59-34-101	100p 20%		ANY
C.....4		59-34-220	22p 20%		ANY
C.....5		59-06-0102	1n 20%		ANY
C.....6		59-34-221	220p 20%		ANY
C.....7		59-26-9109	1u 20%		ANY
C.....8		59-34-331	330p 20%		ANY
C.....9		59-34-331	330p 20%		ANY
C.....10		59-34-331	330p 20%		ANY
C.....11		59-26-9109	1u 20%		ANY
C.....12		59-26-9109	1u 20%		ANY
C.....13		59-06-0104	100n 20%		ANY
C.....14		59-06-0104	100n 20%		ANY
C.....15		59-06-0104	100n 20%		ANY
C.....16		59-06-0104	100n 20%		ANY
C.....17		59-06-0104	100n 20%		ANY
C.....18		59-06-0104	100n 20%		ANY
C.....19		59-06-0104	100n 20%		ANY
C.....20		59-06-0104	100n 20%		ANY
C.....21		59-06-0104	100n 20%		ANY
C.....22		59-06-0104	100n 20%		ANY
C.....23		59-06-0104	100n 20%		ANY
C.....24		59-06-0104	100n 20%		ANY
C.....25		59-06-0104	100n 20%		ANY
C.....26		59-06-0104	100n 20%		ANY
C.....27		59-06-0104	100n 20%		ANY
C.....28		59-06-0104	100n 20%		ANY
C.....29		59-06-0104	100n 20%		ANY
C.....30		59-34-221	220p 20%		ANY
C.....31		59-06-0104	100n 20%		ANY
C.....32		59-06-0104	100n 20%		ANY
C.....33		59-06-0104	100n 20%		ANY
C.....34		59-06-0104	100n 20%		ANY
C.....35		59-06-0104	100n 20%		ANY
C.....36		59-06-0104	100n 20%		ANY
C.....37		59-22-5470	47n 20%		ANY
C.....38		59-06-0205	68n 20%		ANY

S T U D E R (00) 86/10/07 5h PDM DEMODULATOR 1.861.812.00 PAGE 1

IND.	POS.ND.	PART NO.	VALUE	SPECIFICATIONS / EQUIVALENT	MANUF.
C.....40		59-06-0205	68n 20%		ANY
C.....41		59-22-5470	47n 20%		ANY
C.....42		59-22-5470	47n 20%		ANY
C.....43		59-06-0205	68n 20%		ANY
C.....44		59-22-5470	47n 20%		ANY
C.....45		59-22-5470	47n 20%		ANY
C.....46		59-22-5470	47n 20%		ANY
C.....47		59-22-5470	47n 20%		ANY
C.....48		59-22-5470	47n 20%		ANY
C.....49		59-22-5470	47n 20%		ANY
C.....50		59-06-0205	68n 20%		ANY
C.....51		59-06-0205	68n 20%		ANY
C.....52		59-06-0205	68n 20%		ANY
C.....53		59-06-0205	68n 20%		ANY
C.....54		59-06-0205	68n 20%		ANY
C.....55		59-06-0205	68n 20%		ANY
C.....56		59-06-0205	68n 20%		ANY
C.....57		59-06-0205	68n 20%		ANY
C.....58		59-06-0205	68n 20%		ANY
C.....59		59-06-0205	68n 20%		ANY
C.....60		59-06-0205	68n 20%		ANY



27.09.85 MSY

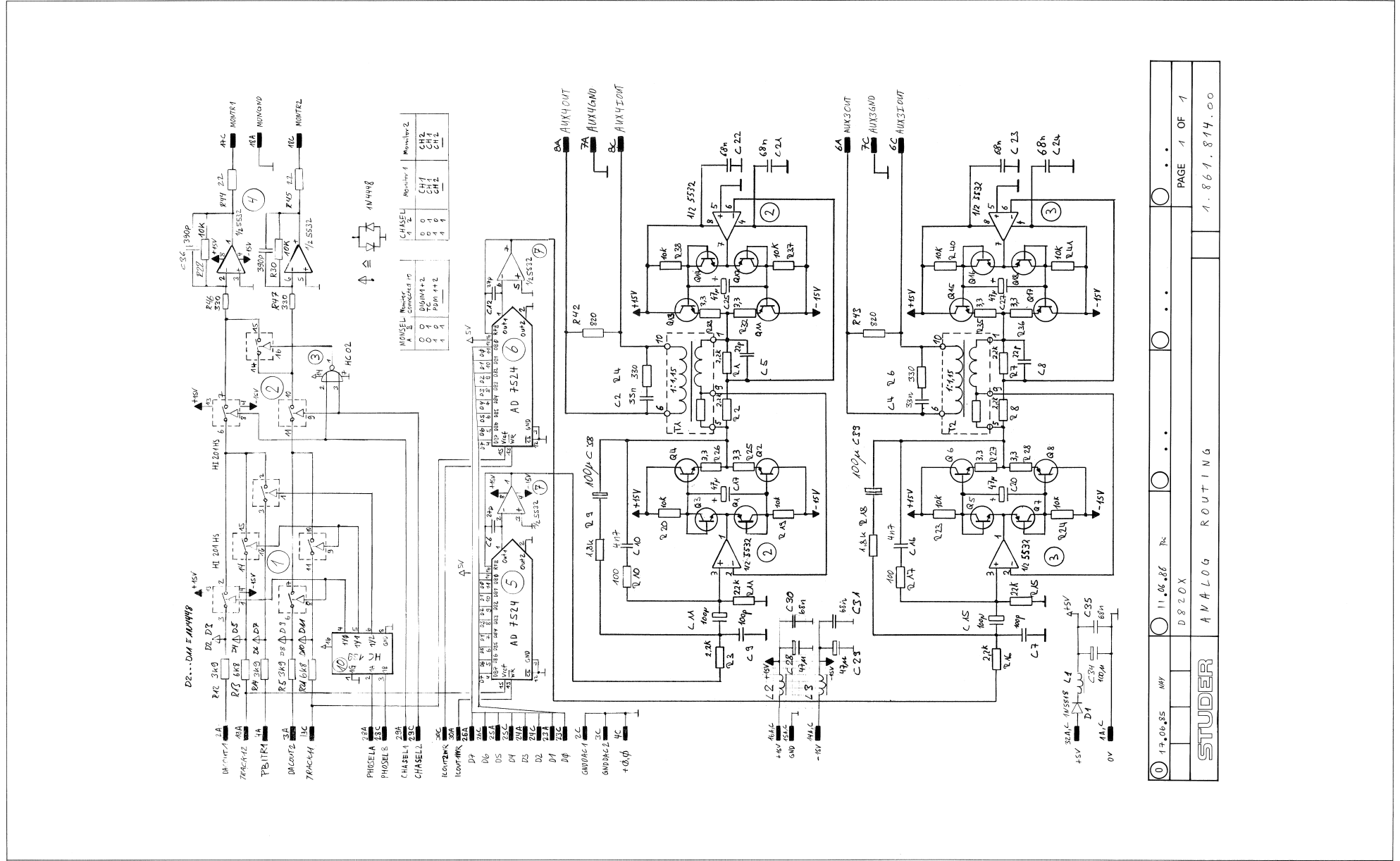
D820 X BLOCKDIAGRAM

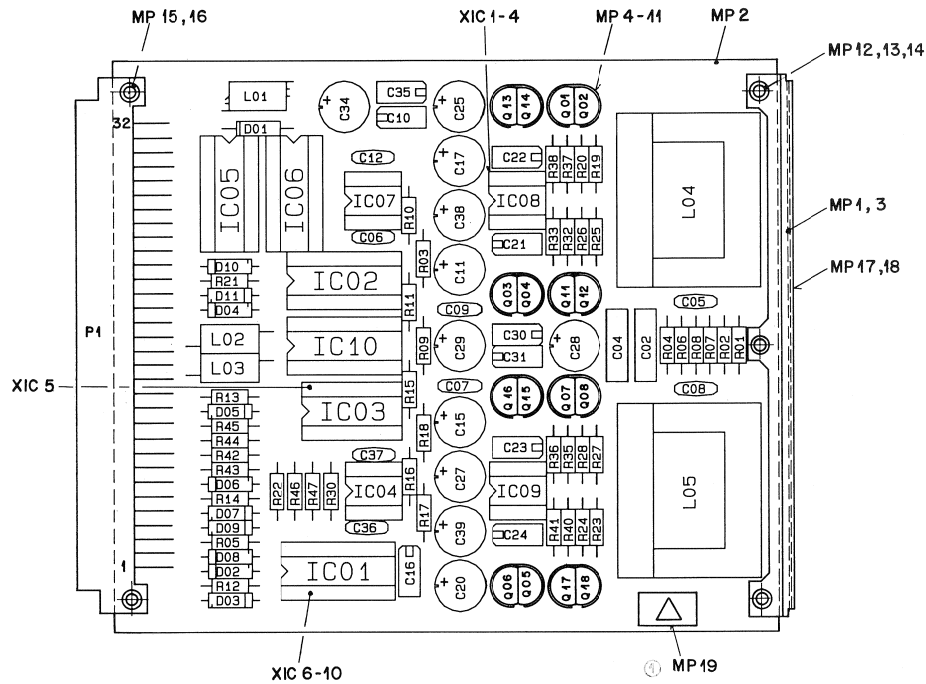
PDM-DEMODULATOR

PAGE 1 OF 1

1.861.812.00

STUDER





IND.	POS.ND.	PART NO.	VALUE	SPECIFICATIONS / EQUIVALENT	MANUF.
C.....2		59-31-0330	33n	10L 400V + PEP	ANY
C.....3		59-31-0333	33n	10L 400V + PEP	ANY
C.....4		59-36-2220	22p	20L 100V + CER	ANY
C.....5		59-36-2230	33p	20L 50V + CER	ANY
C.....6		59-32-1101	100p	20L 400V + CER	ANY
C.....7		59-36-2220	22p	20L 100V + CER	ANY
C.....8		59-32-1101	100p	20L 400V + CER	ANY
C.....9		59-06-0877	67n	20L 50V + PEP	ANY
C.....10		59-22-1101	100u	20L 12V + EL	ANY
C.....11		59-22-1101	100u	20L 12V + EL	ANY
C.....12		59-06-0877	67n	20L 50V + PEP	ANY
C.....13		59-22-1101	100u	20L 12V + EL	ANY
C.....14		59-06-0877	67n	20L 50V + PEP	ANY
(OP) C.....17		59-26-0470	47u	20L 6.3V + SAL	ANY
(OP) C.....18		59-26-0470	47u	20L 20V + ELECTROLYTIC	ANY
(OP) C.....19		59-26-0470	47u	20L 6.3V + SAL	ANY
(OP) C.....20		59-26-0470	47u	20L 20V + ELECTROLYTIC	ANY
C.....21		59-99-0205	68n	20L 63V + CER	ANY
C.....22		59-99-0205	68n	20L 63V + CER	ANY
C.....23		59-99-0205	68n	20L 63V + CER	ANY
C.....24		59-99-0205	68n	20L 63V + CER	ANY
(OP) C.....25		59-26-0470	47u	20L 6.3V + SAL	ANY
(OP) C.....26		59-26-0470	47u	20L 20V + ELECTROLYTIC	ANY
(OP) C.....27		59-26-0470	47u	20L 6.3V + SAL	ANY
(OP) C.....28		59-26-0470	47u	20L 20V + ELECTROLYTIC	ANY
(OP) C.....29		59-26-0470	47u	20L 6.3V + SAL	ANY
(OP) C.....30		59-26-0470	47u	20L 20V + ELECTROLYTIC	ANY
C.....31		59-99-0205	68n	20L 63V + CER	ANY
(OP) C.....34		59-26-0470	47u	20L 6.3V + SAL	ANY
(OP) C.....35		59-26-0470	47u	20L 20V + ELECTROLYTIC	ANY
C.....36		59-36-3391	330p	20L 50V + CER	ANY
C.....37		59-36-3391	330p	20L 50V + CER	ANY
C.....38		59-22-1101	100u	20L 10V + EL	ANY
C.....39		59-22-1101	100u	20L 10V + EL	ANY

STUDER (01) 85/11/29 Sh ANALOG ROUTING 1.861.814.00 PAGE 1

IND.	POS.ND.	PART NO.	VALUE	SPECIFICATIONS / EQUIVALENT	MANUF.
D.....1		50-04-0512		IN 5818	ANY
D.....2		50-04-0125		IN 4448	ANY
D.....3		50-04-0125		IN 4448	ANY
D.....4		50-04-0125		IN 4448	ANY
D.....5		50-04-0125		IN 4448	ANY
D.....6		50-04-0125		IN 4448	ANY
D.....7		50-04-0125		IN 4448	ANY
D.....8		50-04-0125		IN 4448	ANY
D.....9		50-04-0125		IN 4448	ANY
D.....10		50-04-0125		IN 4448	ANY
D.....11		50-04-0125		IN 4448	ANY
(OP) IC.....1		50-17-0101		HT-201 HS-5	ANY
(OP) IC.....1		50-07-0304		AG 201 ACJ	ANY
(OP) IC.....2		50-07-0304		HT-201 HS-5	ANY
(OP) IC.....2		50-07-0304		AG 201 ACJ	ANY
(OP) IC.....3		50-06-0002		74 LS 02	ANY
(OP) IC.....3		50-06-0002		74 LS 02	ANY
IC.....4		50-09-0105		NE 5532 N	ANY
IC.....5		50-07-0002		AD 7524 JN	ANY
IC.....6		50-09-0105		AD 7524 JN	ANY
IC.....7		50-09-0105		NE 5532 N	ANY
IC.....8		50-09-0105		NE 5532 N	ANY
IC.....9		50-09-0105		NE 5532 N	ANY
(OP) IC.....10		50-17-0101		HT-201 HS-5	ANY
(OP) IC.....10		50-06-0139		74 LS 139	ANY
L.....1		62-01-0115		WIDE BAND HF-CHOKE	PH
L.....2		62-01-0115		WIDE BAND HF-CHOKE	PH
L.....3		62-01-0115		WIDE BAND HF-CHOKE	PH
MP.....1		1.010.096.49	1 PCS	TRANSPARENT COVER	SE
MP.....2		1.861.814.11	1 PCS	PCB	SE
MP.....3		1.861.814.01	1 PCS	NAM. PLATE	SE
MP.....4		50-20-2001	1 PCS	CLIP 28T0 92	ANY
MP.....5		50-20-2001	1 PCS	CLIP 28T0 92	ANY
MP.....6		50-20-2001	1 PCS	CLIP 28T0 92	ANY

STUDER (01) 85/11/29 Sh ANALOG ROUTING 1.861.814.00 PAGE 2

IND.	POS.ND.	PART NO.	VALUE	SPECIFICATIONS / EQUIVALENT	MANUF.
MP.....7		50-20-2001	1 PCS	CLIP 28T0 92	ANY
MP.....8		50-20-2001	1 PCS	CLIP 28T0 92	ANY
MP.....9		50-20-2001	1 PCS	CLIP 28T0 92	ANY
MP.....10		50-20-2001	1 PCS	CLIP 28T0 92	ANY
MP.....11		50-20-2001	1 PCS	CLIP 28T0 92	ANY
MP.....12		28-21-1370	1 PCS	RIVETING NUT, D2-2595.5	ANY
MP.....13		28-21-1370	1 PCS	RIVETING NUT, D2-2595.5	ANY
MP.....14		28-21-1370	1 PCS	RIVETING NUT, D2-2595.5	ANY
MP.....15		28-99-0119	1 PCS	RIVETING NUT, D2-580-1910	ANY
MP.....16		28-99-0119	1 PCS	RIVETING NUT, D2-580-1910	ANY
MP.....17		1.010.006.33	1 PCS	MARKING HANDLE	SE
MP.....18		1.010.006.33	1 PCS	MARKING HANDLE	SE
(OP) MP.....19		43-01-0108		LABEL "ESE"	ANY
P.....1		54-01-0165		CARD CONNECTOR, 2832 EURD SOLDERING	ANY
Q.....1		50-03-0351		BC 327-25	ANY
Q.....2		50-03-0351		BC 327-25	ANY
Q.....3		50-03-0340		BC 337-25	ANY
Q.....4		50-03-0340		BC 337-25	ANY
Q.....5		50-03-0340		BC 337-25	ANY
Q.....6		50-03-0340		BC 337-25	ANY
Q.....7		50-03-0351		BC 327-25	ANY
Q.....8		50-03-0351		BC 327-25	ANY
Q.....9		50-03-0351		BC 327-25	ANY
Q.....10		50-03-0351		BC 327-25	ANY
Q.....11		50-03-0351		BC 327-25	ANY
Q.....12		50-03-0340		BC 337-25	ANY
Q.....13		50-03-0340		BC 337-25	ANY
Q.....14		50-03-0340		BC 337-25	ANY
Q.....15		50-03-0340		BC 337-25	ANY
Q.....16		50-03-0340		BC 337-25	ANY
Q.....17		50-03-0351		BC 327-25	ANY
Q.....18		50-03-0351		BC 327-25	ANY
R.....1		57-11-4222	2-2K	5%	ANY
R.....2		57-11-4222	2-2K	5%	ANY
R.....3		57-11-4222	2-2K	5%	ANY
R.....4		57-11-4331	330	5%	ANY

STUDER (01) 85/11/29 Sh ANALOG ROUTING 1.861.814.00 PAGE 3

IND.	POS.ND.	PART NO.	VALUE	SPECIFICATIONS / EQUIVALENT	MANUF.
R.....5		57-11-4330	330	5%	ANY
R.....6		57-11-4331	330	5%	ANY
R.....7		57-11-4222	2-2K	5%	ANY
R.....8		57-11-4222	2-2K	5%	ANY
R.....9		57-11-4161	1.0K	5%	ANY
R.....10		57-11-4101	10K	5%	ANY
R.....11		57-11-4223	22K	5%	ANY
R.....12		57-11-4392	3-3	5%	ANY
R.....13		57-11-4682	6.8K	5%	ANY
R.....14		57-11-4392	3-3	5%	ANY
R.....15		57-11-4223	22K	5%	ANY
R.....16		57-11-4222	2-2K	5%	ANY
R.....17		57-11-4101	10K	5%	ANY
R.....18		57-11-4103	10K	5%	ANY
R.....19		57-11-4103	10K	5%	ANY
R.....20		57-11-4103	10K	5%	ANY
R.....21		57-11-4682	6.8K	5%	ANY
R.....22		57-11-4103	10K	5%	ANY
R.....23		57-11-4103	10K	5%	ANY
R.....24		57-11-4103	10K	5%	ANY
R.....25		57-11-4339	3-3	5%	ANY
R.....26		57-11-4339	3-3	5%	ANY
R.....27		57-11-4339	3-3	5%	ANY
R.....28		57-11-4339	3-3	5%	ANY
R.....29		57-11-4339	3-3	5%	ANY
R.....30		57-11-4103	10K	5%	ANY
R.....31		57-11-4339	3-3	5%	ANY
R.....32		57-11-4339	3-3	5%	ANY
R.....33		57-11-4339	3-3	5%	ANY
R.....34		57-11-4339	3-3	5%	ANY
R.....35		57-11-4103	10K	5%	ANY
R.....36		57-11-4103	10K	5%	ANY
R.....37		57-11-4103	10K	5%	ANY
R.....38		57-11-4103	10K	5%	ANY
R.....39		57-11-4103	10K	5%	ANY
R.....40		57-11-4021	820	5%	ANY
R.....41		57-11-4220	22	5%	ANY
R.....42		57-11-4220	22	5%	ANY

STUDER (01) 85/11/29 Sh ANALOG ROUTING 1.861.814.00 PAGE 4

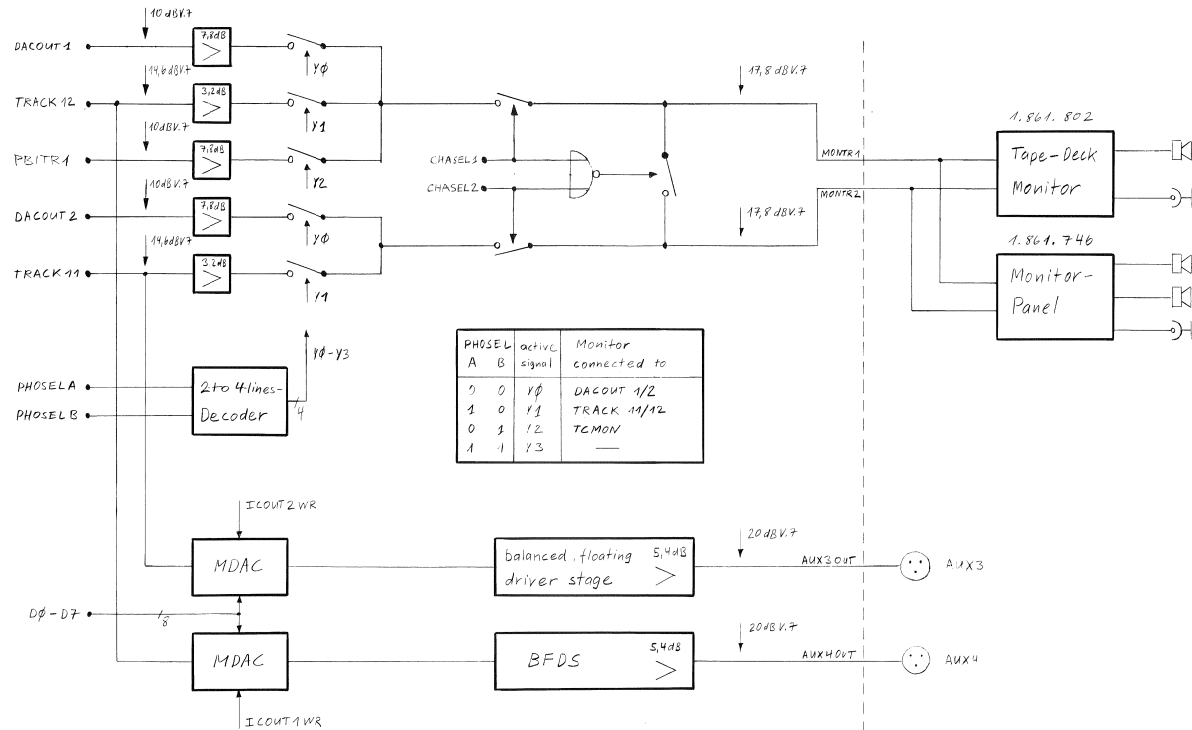
IND.	POS.ND.	PART NO.	VALUE	SPECIFICATIONS / EQUIVALENT	MANUF.
R.....44		57-11-4331	330	5%	ANY
R.....47		57-11-4331	330	5%	ANY
T.....1		1.022-359-00		LINE OUTPUT TRANSFORMER 1:1,15	SE
T.....2		1.022-359-00		LINE OUTPUT TRANSFORMER 1:1,15	SE
XIC.....1		53-03-0166		DIL 8-PIN	ANY
XIC.....2		53-03-0166		DIL 8-PIN	ANY
XIC.....3		53-03-0166		DIL 8-PIN	ANY
XIC.....4		53-03-0166		DIL 8-PIN	ANY
XIC.....5		53-03-0166		DIL 8-PIN	ANY
XIC.....6		53-03-0168		DIL 16-PIN	ANY
XIC.....7		53-03-0168		DIL 16-PIN	ANY
XIC.....8		53-03-0168		DIL 16-PIN	ANY
XIC.....9		53-03-0168		DIL 16-PIN	ANY
XIC.....10		53-03-0168		DIL 16-PIN	ANY

REMARKS: MOD 31 CMOS SWITCHES HS REPLACED BY NORMAL CMOS SAL CAPACITORS REPLACED BY ELECTROLYTICS MODIFICATIONS ACCORDING TO SAMPLE HE REPLACED BY LSTFL

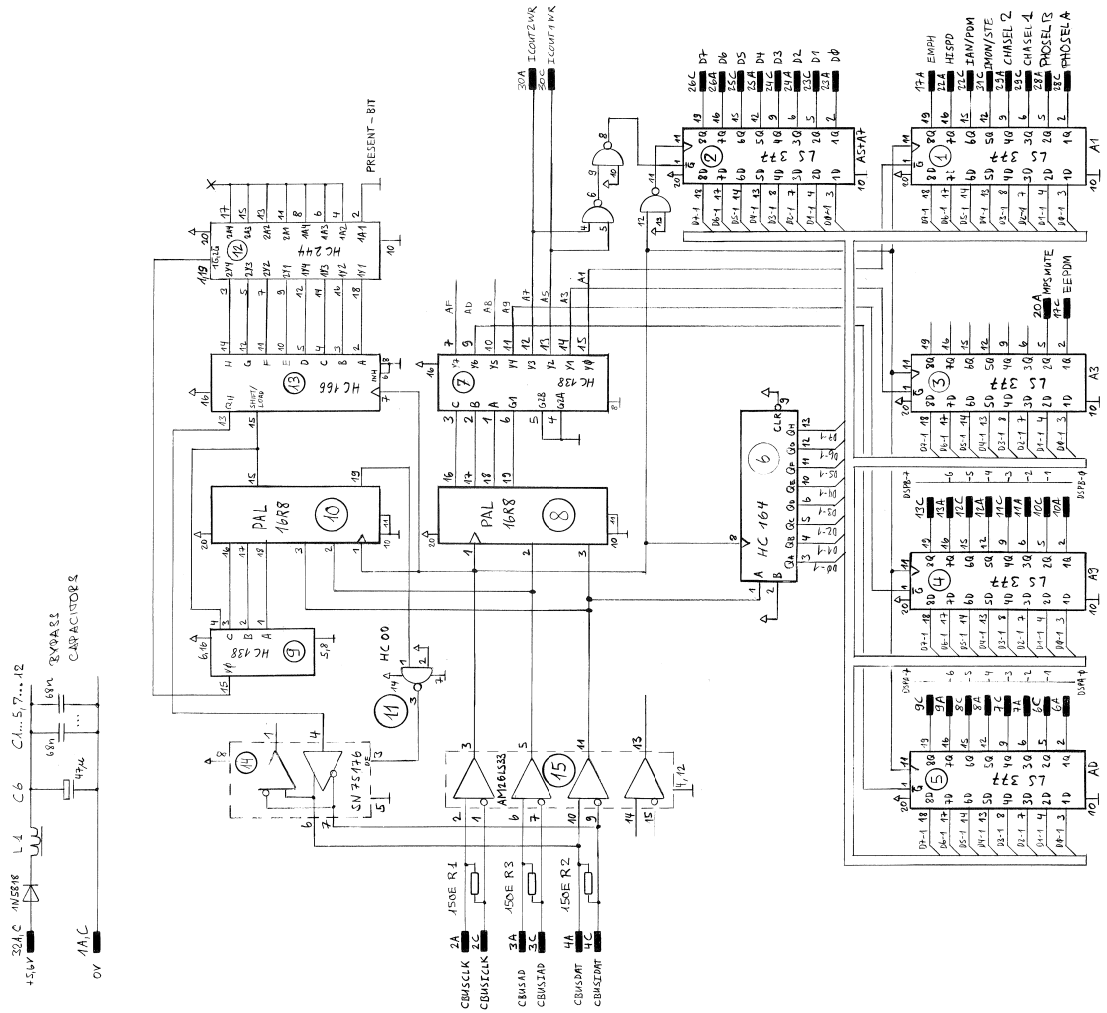
MANUFACTURERS: SE = STUDER PH = PHILIPS

ABBREVIATIONS: CER = CERAMIC / SAL = SOLID ALUMINUM / EL = ELECTROLYTIC PEP = POLYESTERFOL / XIC = IC SOCKET

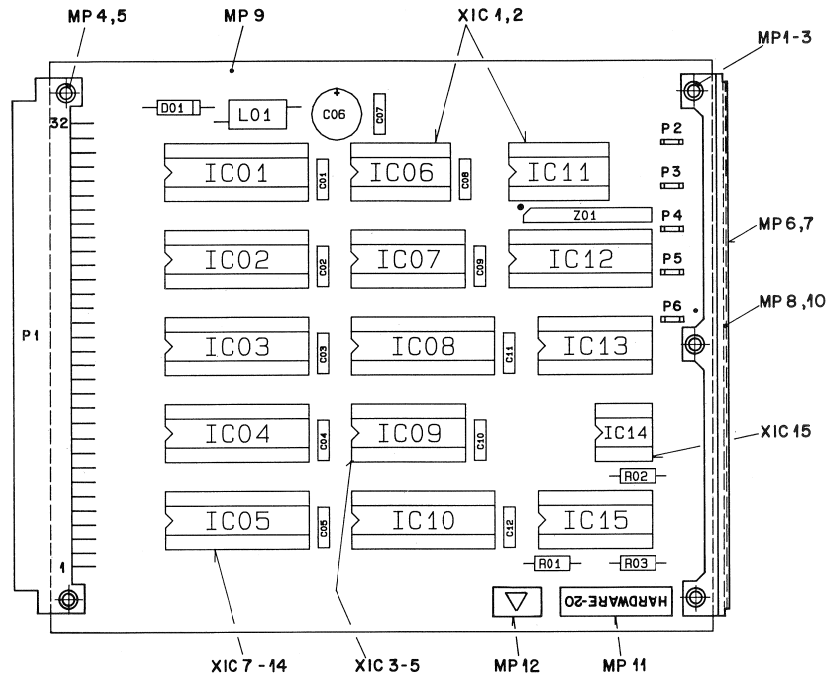
DRAW 85/07/23 (01) 85/11/29 ANALOG ROUTING 1.861.814.00 PAGE 5



10.12.85 May
 D820 X BLOCKDIAGRAM
 ANALOG ROUTING
 PAGE 1 OF 1
 1.861.814.00



14.06.85 MAY
 D820X
 PDM CONTROL
 1.861.813.00
 PAGE 1 OF 1



IND.	POS.NO.	PART NO.	VALUE	SPECIFICATIONS / EQUIVALENT	MANUF.
C.....1	59	99-0205	68n	30% 40V CER	ANY
C.....2	59	99-0205	68n	30% 40V CER	ANY
C.....3	59	99-0205	68n	30% 40V CER	ANY
C.....4	59	99-0205	68n	30% 40V CER	ANY
C.....5	59	99-0205	68n	30% 40V CER	ANY
C.....6	59	22-5470	47u	30% 20V EL	ANY
C.....7	59	99-0205	68n	30% 40V CER	ANY
C.....8	59	99-0205	68n	30% 40V CER	ANY
C.....9	59	99-0205	68n	30% 40V CER	ANY
C.....10	59	99-0205	68n	30% 40V CER	ANY
C.....11	59	99-0205	68n	30% 40V CER	ANY
C.....12	59	99-0205	68n	30% 40V CER	ANY
D.....1	50	04-0513		IN 5816	ANY
IC.....1	50	06-0377		SN 74 LS 377 N	ANY
IC.....2	50	06-0377		SN 74 LS 377 N	ANY
IC.....3	50	06-0377		SN 74 LS 377 N	ANY
IC.....4	50	06-0377		SN 74 LS 377 N	ANY
IC.....5	50	06-0377		SN 74 LS 377 N	ANY
IC.....6	50	06-0164		74 LS 164	ANY
IC.....7	50	06-0138		74 LS 138	ANY
IC.....8	50	18-0032		PAL 16 R 8 A-2CN	(186142720) ANY
IC.....9	50	06-0138		74 LS 138	ANY
IC.....10	50	18-0032		PAL 16 R 8 A-2CN	(186142620) ANY
IC.....11	50	06-0000		74 LS 00	ANY
IC.....12	50	06-0244		SN 74 LS 244 N	ANY
IC.....13	50	06-0166		74 LS 166	ANY
IC.....14	50	15-0115		SN 75176 AP+DS 3495 N	ANY
IC.....15	50	15-0109		AR 26 LS 33 PC+DS 26 LS 33 CN	ANY
E.....1	62	01-0115		WIDE-BAND HF-CHOKE	PH
MP.....1	28	21-1170	1	PCB RIVETING NUT, DZ-20*5-5	ANY
MP.....2	28	21-1170	1	PCB RIVETING NUT, DZ-20*5-5	ANY
MP.....3	28	21-1170	1	PCB RIVETING NUT, DZ-20*5-5	ANY
MP.....4	28	99-0119	1	PCB RIVETING NUT, DZ-5*90-15*10	ANY

S T U D E R (20) 85/11/29 01 PDM CONTROL 1.861-813.00 PAGE 1

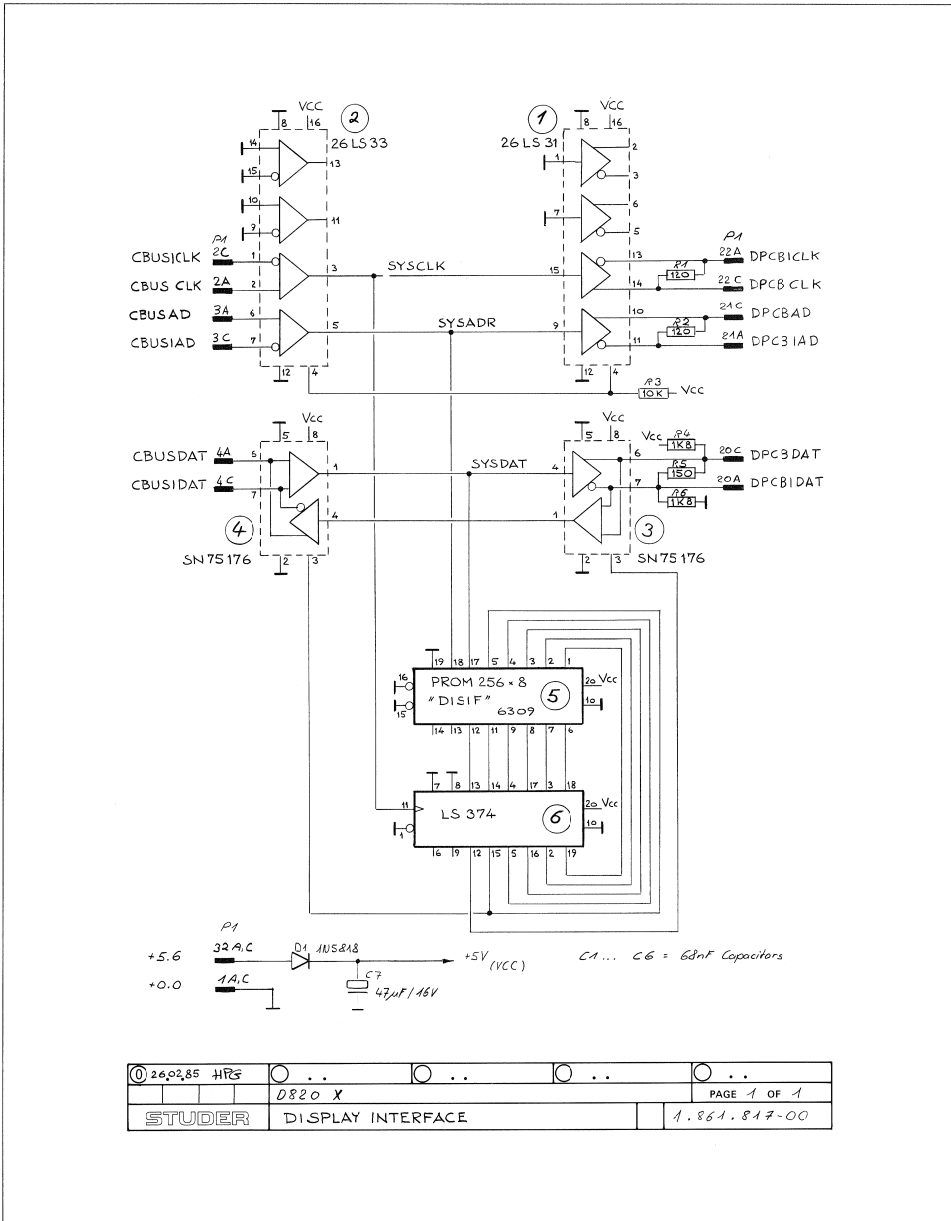
IND.	POS.NO.	PART NO.	VALUE	SPECIFICATIONS / EQUIVALENT	MANUF.
MP.....5	28	99-0119	1	PCB RIVETING NUT, DZ-5*90-15*10	ANY
MP.....6	L01	096-33	1	PCB MARKING HANDLE	ANY
MP.....7	L01	096-33	1	PCB MARKING HANDLE	ANY
MP.....8	L01	096-49	1	PCB TRANSPARENT COVER	ANY
MP.....9	L01	183-41	1	PCB PCB	SE
MP.....10	L01	183-01	1	PCB NAME PLATE, 6,3*9*1	SE
MP.....11	L01	001-20	1	PCB LABEL, HARDWARE-20	SE
MP.....12	63	01-0108		LABEL TEST	ANY
P.....1	54	01-0365		CARD CONNECTOR, 2*32 EURO SOLDERING	ANY
P.....2	54	02-0320		TEST-POINT	ANY
P.....3	54	02-0320		TEST-POINT	ANY
P.....4	54	02-0320		TEST-POINT	ANY
P.....5	54	02-0320		TEST-POINT	ANY
P.....6	54	02-0320		TEST-POINT	ANY
R.....1	57	11-4151	150	5% RES	ANY
R.....2	57	11-4151	150	5% RES	ANY
R.....3	57	11-4151	150	5% RES	ANY
RZ.....1	57	06-4332	8	43-3k 5% SINGLE IN LINE	ANY
XIC.....1	53	03-0167		DIL 14-PIN	ANY
XIC.....2	53	03-0167		DIL 14-PIN	ANY
XIC.....3	53	03-0168		DIL 16-PIN	ANY
XIC.....4	53	03-0168		DIL 16-PIN	ANY
XIC.....5	53	03-0168		DIL 16-PIN	ANY
XIC.....6	53	03-0168		DIL 16-PIN	ANY
XIC.....7	53	03-0165		DIL 20-PIN	ANY
XIC.....8	53	03-0165		DIL 20-PIN	ANY
XIC.....9	53	03-0165		DIL 20-PIN	ANY
XIC.....10	53	03-0165		DIL 20-PIN	ANY
XIC.....11	53	03-0165		DIL 20-PIN	ANY
XIC.....12	53	03-0165		DIL 20-PIN	ANY
XIC.....13	53	03-0165		DIL 20-PIN	ANY
XIC.....14	53	03-0165		DIL 20-PIN	ANY
XIC.....15	53	03-0166		DIL 8-PIN	ANY

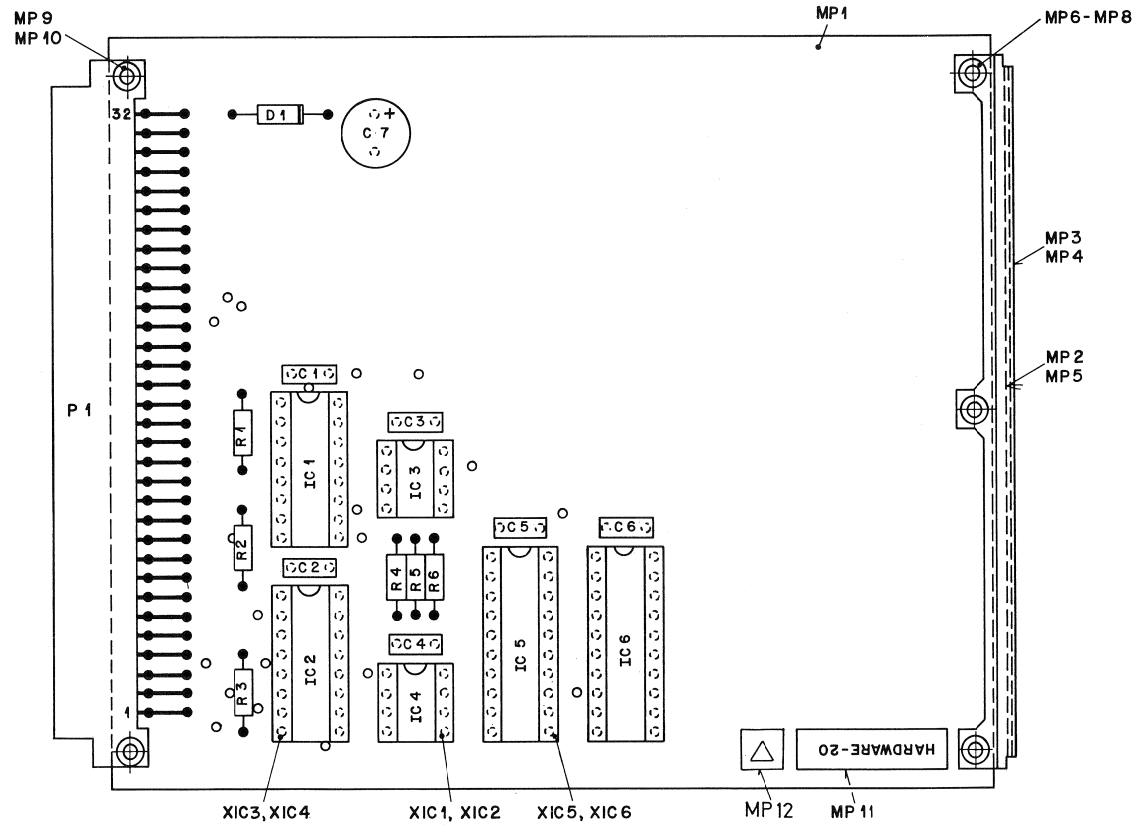
S T U D E R (20) 85/11/29 01 PDM CONTROL 1.861-813.00 PAGE 2

REMARKS: P01: MODIFICATIONS ACCORDING TO SAMPLE

MANUFACTURERS:
SE = STUDER
PH = PHILIPS

ABBREVIATIONS:
CER = CERAMIC / EL = ELECTROLYTIC
XIC = IC SOCKET





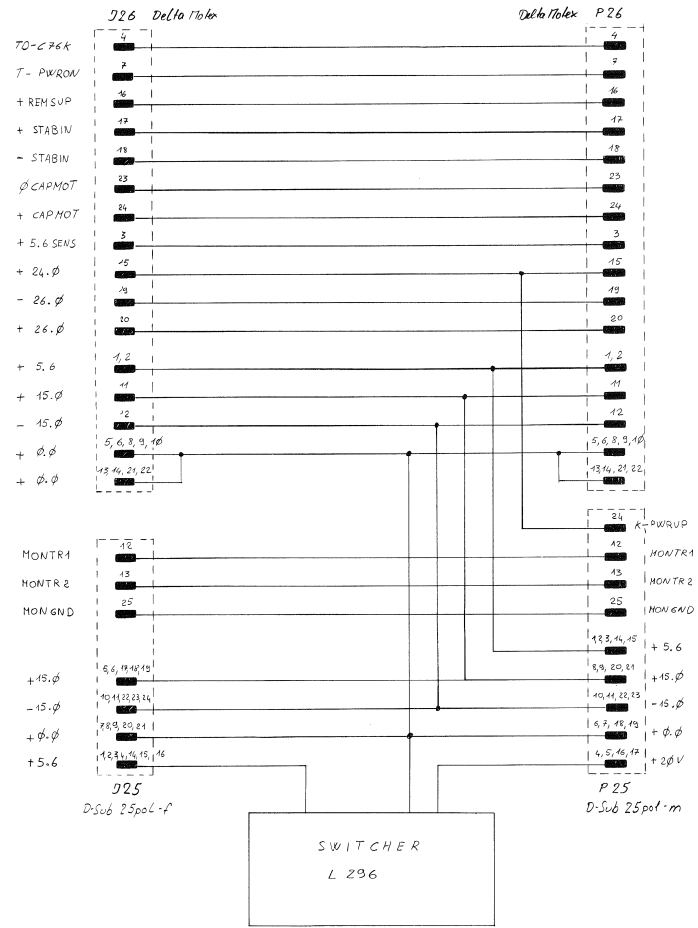
IND.	POS.NC.	PART NO.	VALUE	SPECIFICATIONS / EQUIVALENT	MANUF.
C	1	59-99-0205	68n	20% ADVA CER	ANY
C	2	59-99-0205	68n	20% ADVA CER	ANY
C	3	59-99-0205	68n	20% ADVA CER	ANY
C	4	59-99-0205	68n	20% ADVA CER	ANY
C	5	59-99-0205	68n	20% ADVA CER	ANY
C	6	59-99-0205	68n	20% ADVA CER	ANY
C	7	59-99-0205	68n	20% ADVA CER	ANY
C	7	59-22-5470	47u	20% ADVA EL	ANY
D	1	50-09-0512	IN SH10		ANY
IC	1	50-15-0108		AM 26 L5 31	ANY
IC	2	50-15-0109		AM 26 L5 33	ANY
IC	3	50-15-0115		SN 75176 AP	ANY
IC	4	50-15-0115		SN 75176 AP	ANY
IC	5	50-19-0116		TMP 241 224	(186143020) ANY
IC	6	50-06-0374		SN 74 L5 374	ANY
MP	1	1-861-817-11		PCB	SE
MP	2	1-861-817-01		NAME PLATE, 6,3991	SE
MP	3	1-010-006-33		MARKING HANDLE	SE
MP	4	1-010-006-33		MARKING HANDLE	SE
MP	5	1-010-006-40		TRANSPARENT COVER	SE
MP	6	28-21-1370		RIVETING NOTF. D2-2595-5	ANY
MP	7	28-21-1370		RIVETING NOTF. D2-2595-5	ANY
MP	8	28-21-1370		RIVETING NOTF. D2-2595-5	ANY
MP	9	28-99-0119		RIVETING NOTF. D2-500-15910	ANY
MP	10	28-99-0119		RIVETING NOTF. D2-500-15910	ANY
MP	11	1-101-001-20		TEXT-LABEL, HARDWARE-20	ANY
MP	12	93-01-0108		LABEL, TEST*	ANY
P	1	56-01-0365		CARD CONNECTOR, 2932 EURO SOLDERING	ANY
R	1	57-11-4121	120	5%	ANY
R	2	57-11-4121	120	5%	ANY
R	3	57-11-4103	10K	5%	ANY
R	4	57-11-4182	1.5K	5%	ANY
R	5	57-11-4151	150	5%	ANY

IND.	POS.NC.	PART NO.	VALUE	SPECIFICATIONS / EQUIVALENT	MANUF.
R	6	57-11-4182	1.5K	5%	ANY
XIC	1	53-03-0166		DIL B-PIN	ANY
XIC	2	53-03-0166		DIL B-PIN	ANY
XIC	3	53-03-0168		DIL 16-PIN	ANY
XIC	4	53-03-0168		DIL 16-PIN	ANY
XIC	5	53-03-0168		DIL 16-PIN	ANY
XIC	6	53-03-0169		DIL 20-PIN	ANY
XIC	6	53-03-0165		DIL 20-PIN	ANY

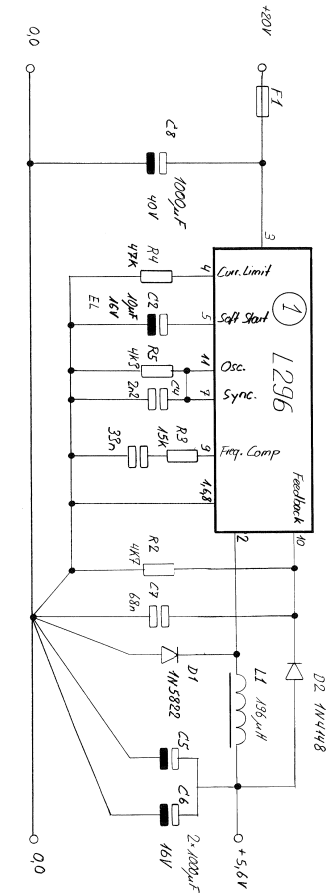
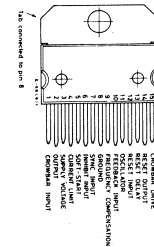
REMARKS: PD1: MODIFICATIONS ACCORDING TO SAMPLE

MANUFACTURERS:
SE = STUDER

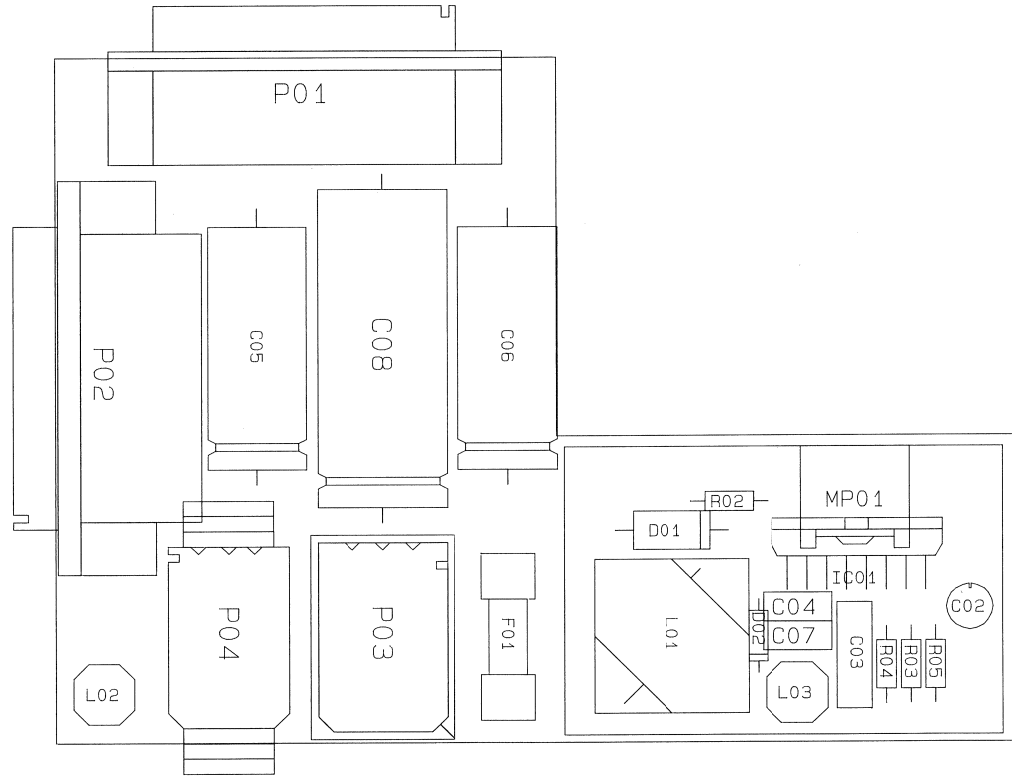
ABBREVIATIONS:
CER = CERAMIC / EL = ELECTROLYTIC
XIC = IC SOCKET



① 12 21 25 Markappon	① 12 21 25 86	① ..	① ..	① ..
D 8 2 0 X			PAGE 1 OF 2	
STUDER DELTA MOLEX INTERCONNECTION		1.861.726.00		



① 12 21 25 86	① ..	① ..	① ..
D 8 2 0 X			PAGE 2 OF 2
STUDER Delta Molex Interconnection		1.861.726.00	



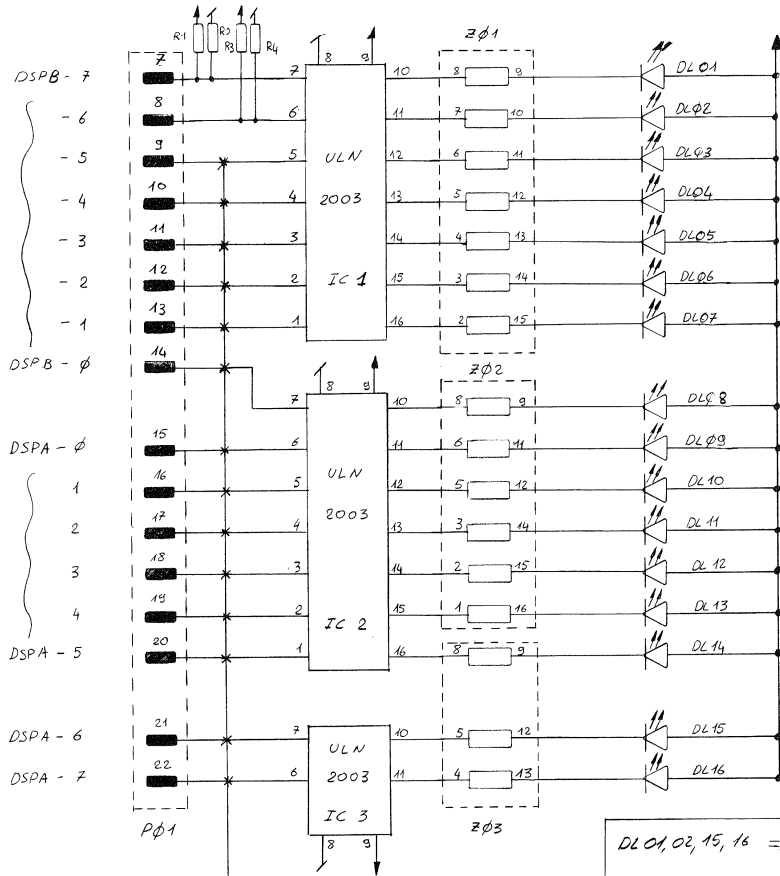
IND.	POS.NO.	PART NO.	VALUE	SPECIFICATIONS / EQUIVALENT	MANUF.	IND.	POS.NO.	PART NO.	VALUE	SPECIFICATIONS / EQUIVALENT	MANUF.	IND.	POS.NO.	PART NO.	VALUE	SPECIFICATIONS / EQUIVALENT	MANUF.
C	22	59-26-2100	10W	20% 1W * SAL	ANY	J	23	94-02-0407		MOLEX CONTACT FEMALE PRINT	MOL	P	11	54-02-0406		MOLEX CONTACT MALE PRINT	MOL
C	23	59-02-0333	33W	20% 63V * PETP	ANY	J	24	94-02-0407		MOLEX CONTACT FEMALE PRINT	MOL	P	12	54-02-0406		MOLEX CONTACT MALE PRINT	MOL
C	24	59-06-0222	2000W	20% 63V * PETP	ANY	J	25	94-13-0102		D-SUB 25 PIN FEMALE VC DEGR	MOL	P	13	54-02-0406		MOLEX CONTACT MALE PRINT	MOL
C	25	59-25-3102	1000W	20% 15V * EL	ANY	J	26	94-02-0406		MOLEX 24-PIN FEMALE	MOL	P	14	54-02-0406		MOLEX CONTACT MALE PRINT	MOL
C	26	59-25-3102	1000W	20% 15V * EL	ANY	L	1	1422-251-00	0.196MH	FILTER COIL 5 A	SE	P	15	54-02-0406		MOLEX CONTACT MALE PRINT	MOL
C	27	59-25-0205	60W	20% 63V * CER	ANY	MP	1	1401-726-12		1 PCS PCB	SE	P	16	54-02-0406		MOLEX CONTACT MALE PRINT	MOL
C	28	59-25-5102	1000W	20% 40V * EL	ANY	MP	2	1401-726-01		1 PCS SHIELD	SE	P	17	54-02-0406		MOLEX CONTACT MALE PRINT	MOL
D	1	50-04-0519	1N 5622	1N 5622	ANY	MP	3	1401-726-27		1 PCS STAND-OFF, M2-5*25	ANY	P	18	54-02-0406		MOLEX CONTACT MALE PRINT	MOL
D	2	50-04-0519	1N 4408	1N 4408	ANY	MP	4	1401-726-27		1 PCS STAND-OFF, M2-5*25	ANY	P	19	54-02-0406		MOLEX CONTACT MALE PRINT	MOL
F	1	51-01-0120		SLOM M0M 2A	ANY	MP	5	21-01-0279		1 PCS SCREEN M2-5*6	ANY	P	20	54-02-0406		MOLEX CONTACT MALE PRINT	MOL
IC	1	90-10-0110	L 296	VOLTAGE REGULATOR	SGS	MP	6	21-01-0279		1 PCS SCREEN M2-5*6	ANY	P	21	54-02-0406		MOLEX CONTACT MALE PRINT	MOL
J	1	54-02-0407		MOLEX CONTACT FEMALE PRINT	MOL	MP	7	21-01-0279		1 PCS SCREEN M2-5*6	ANY	P	22	54-02-0406		MOLEX CONTACT MALE PRINT	MOL
J	2	54-02-0407		MOLEX CONTACT FEMALE PRINT	MOL	MP	8	21-01-0279		1 PCS SCREEN M2-5*6	ANY	P	23	54-02-0406		MOLEX CONTACT MALE PRINT	MOL
J	3	54-02-0407		MOLEX CONTACT FEMALE PRINT	MOL	MP	9	24-10-1025		1 PCS LOCK WASHER M2.5	ANY	P	24	54-02-0406		MOLEX CONTACT MALE PRINT	MOL
J	4	54-02-0407		MOLEX CONTACT FEMALE PRINT	MOL	MP	10	24-10-1025		1 PCS LOCK WASHER M2.5	ANY	P	25	54-02-0406		MOLEX CONTACT MALE PRINT	MOL
J	5	54-02-0407		MOLEX CONTACT FEMALE PRINT	MOL	MP	11	24-10-1025		1 PCS LOCK WASHER M2.5	ANY	P	26	54-02-0406		MOLEX CONTACT MALE PRINT	MOL
J	6	54-02-0407		MOLEX CONTACT FEMALE PRINT	MOL	MP	12	24-10-1025		1 PCS LOCK WASHER M2.5	ANY	P	27	54-02-0406		MOLEX CONTACT MALE PRINT	MOL
J	7	54-02-0407		MOLEX CONTACT FEMALE PRINT	MOL	MP	13	21-30-1951		1 PCS SCREEN M2.5	ANY	P	28	54-02-0406		MOLEX CONTACT MALE PRINT	MOL
J	8	54-02-0407		MOLEX CONTACT FEMALE PRINT	MOL	MP	14	23-11-1030		1 PCS LOCK WASHER M3	ANY	P	29	54-02-0406		MOLEX CONTACT MALE PRINT	MOL
J	9	54-02-0407		MOLEX CONTACT FEMALE PRINT	MOL	MP	15	23-11-1030		1 PCS WASHER M3	ANY	P	30	54-02-0406		MOLEX CONTACT MALE PRINT	MOL
J	10	54-02-0407		MOLEX CONTACT FEMALE PRINT	MOL	MP	16	23-11-1032		1 PCS WASHER M3	ANY	P	31	54-02-0406		MOLEX CONTACT MALE PRINT	MOL
J	11	54-02-0407		MOLEX CONTACT FEMALE PRINT	MOL	MP	17	23-11-1032		1 PCS WASHER M3	ANY	P	32	54-02-0406		MOLEX CONTACT MALE PRINT	MOL
J	12	54-02-0407		MOLEX CONTACT FEMALE PRINT	MOL	MP	18	23-11-1032		1 PCS WASHER M3	ANY	P	33	54-02-0406		MOLEX CONTACT MALE PRINT	MOL
J	13	54-02-0407		MOLEX CONTACT FEMALE PRINT	MOL	MP	19	08-01-1480		1 PCS RIVETING NUT	ANY	P	34	54-02-0406		MOLEX CONTACT MALE PRINT	MOL
J	14	54-02-0407		MOLEX CONTACT FEMALE PRINT	MOL	MP	20	28-21-1480		1 PCS RIVETING NUT	ANY	P	35	54-02-0406		MOLEX CONTACT MALE PRINT	MOL
J	15	54-02-0407		MOLEX CONTACT FEMALE PRINT	MOL	MP	21	08-01-1480		1 PCS RIVETING NUT	ANY	P	36	54-02-0406		MOLEX CONTACT MALE PRINT	MOL
J	16	54-02-0407		MOLEX CONTACT FEMALE PRINT	MOL	MP	22	28-21-1480		1 PCS RIVETING NUT	ANY	R	1	57-11-4673	47R	5%	ANY
J	17	54-02-0407		MOLEX CONTACT FEMALE PRINT	MOL	MP	23	1401-53-54		1 PCS STAND-OFF WITH THREAD, LOCKING TYPE	SE	R	2	57-11-4653	15K	5%	ANY
J	18	54-02-0407		MOLEX CONTACT FEMALE PRINT	MOL	MP	24	1401-53-54		1 PCS STAND-OFF WITH THREAD, LOCKING TYPE	ST	R	3	57-11-4632	4.7K	5%	ANY
J	19	54-02-0407		MOLEX CONTACT FEMALE PRINT	MOL	MP	25	1401-53-54		1 PCS STAND-OFF WITH THREAD, LOCKING TYPE	ST	R	4	57-11-4672	4.7K	10%	ANY
J	20	54-02-0407		MOLEX CONTACT FEMALE PRINT	MOL	MP	26	1401-53-54		1 PCS STAND-OFF WITH THREAD, LOCKING TYPE	ST	X	1	53-03-0142		CLAMP-SR20RH	ANY
J	21	54-02-0407		MOLEX CONTACT FEMALE PRINT	MOL	MP	27	24-11-1030		1 PCS LOCK WASHER M3	ANY	X	2	53-03-0142		CLAMP-SR20RH	ANY
J	22	54-02-0407		MOLEX CONTACT FEMALE PRINT	MOL	MP	28	24-11-1030		1 PCS LOCK WASHER M3	ANY						
J	23	54-02-0407		MOLEX CONTACT FEMALE PRINT	MOL	MP	29	22-01-1030		1 PCS NUT M3	ANY						
J	24	54-02-0407		MOLEX CONTACT FEMALE PRINT	MOL	MP	30	22-01-1030		1 PCS NUT M3	ANY						
J	25	54-02-0407		MOLEX CONTACT FEMALE PRINT	MOL	MP	31	22-01-1030		1 PCS NUT M3	ANY						
J	26	54-02-0407		MOLEX CONTACT FEMALE PRINT	MOL	MP	32	1401-119-51		1 PCS JA POSE-LABEL	SE						

REMARKS:
 PDR 4A MAXIMUM OUTPUT CURRENT* RESISTOR RA IS OMITTED

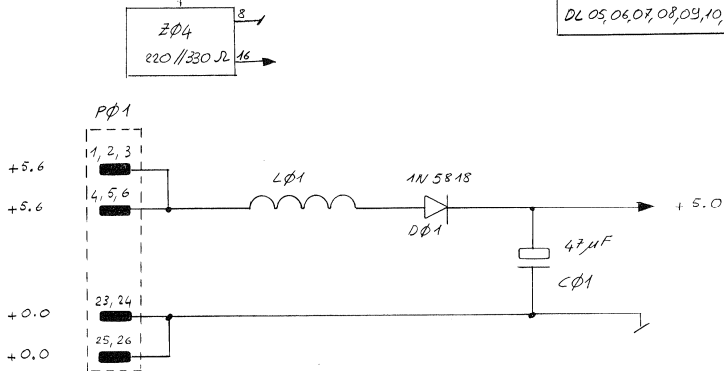
MANUFACTURERS:
 SE = STUDER
 SCS = SCS
 SMP = SMP
 MOL = MOLEX

ABBREVIATIONS:
 CER = CERAMIC / SAL = SOLID ALUMINIUM / EL = ELECTROLYTIC
 PETP = POLYESTERFOL

DRIG 86/01/23 1.861.726.00 PAGE 4



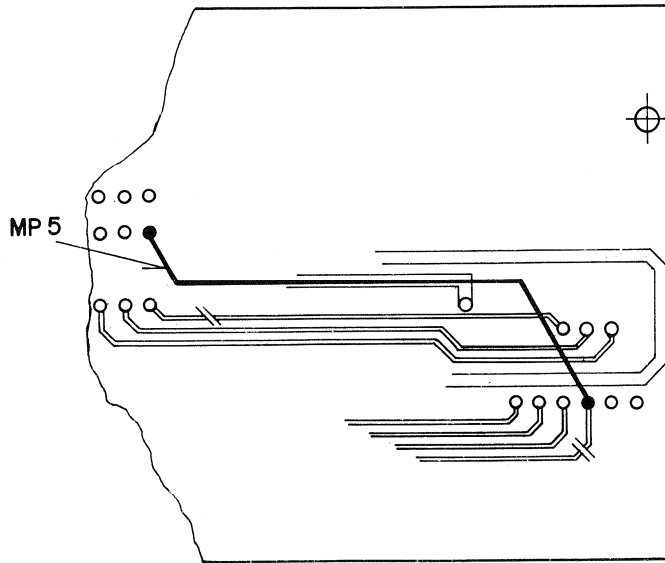
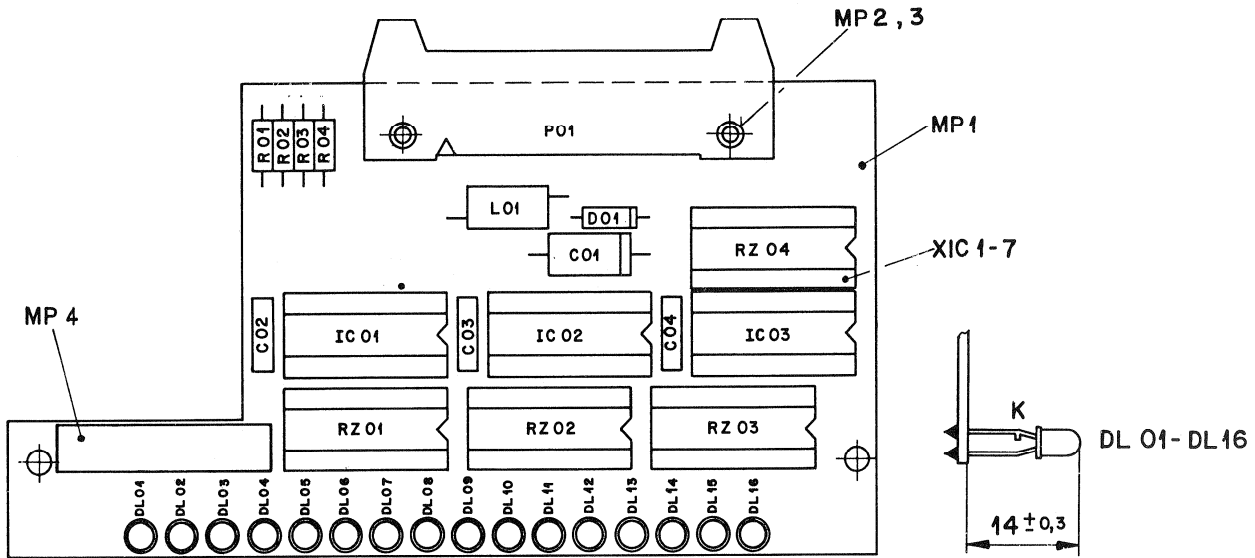
DL 01, 02, 15, 16 = CΦV 11-7, red
 DL 03, 04, 13, 14 = HLMP1440, Yel
 DL 05, 06, 07, 08, 09, 10, 11, 12, = HLMP-1510, GRN



R1, R3 = 330 Ω R2, R4 = 220

ZΦ1, ZΦ2, ZΦ3 = 8 * 330Ω

① 25 285 Martignoni	○ . .	○ . .	○ . .	○ . .
	D820X			PAGE 1 OF 1
STUDER	QUALITY DISPLAY		1.861.731.00	



Änderung					②
29.11.85 A.Ho					①
Ausgabe 26.9.85 A.Ho					①
Datum	Gez.	Gepr.	Ges.	Index	
Kopie für:					
Nummer: 1.861.731-00					

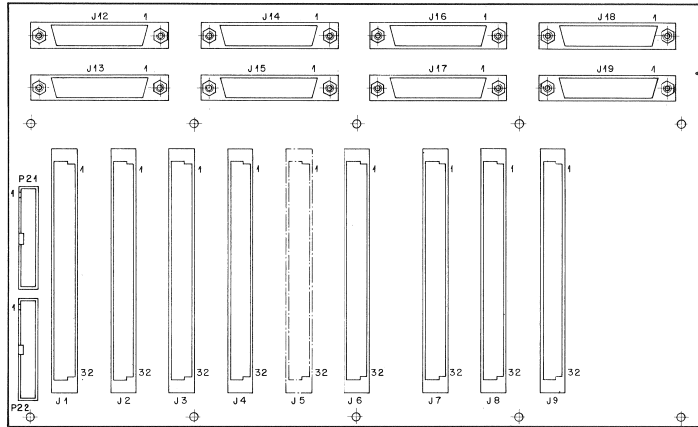
IND.	POS.-NO.	PART NO.	VALUE	SPECIFICATIONS / EQUIVALENT	MANUF.	IND.	POS.-NO.	PART NO.	VALUE	SPECIFICATIONS / EQUIVALENT	MANUF.
C.....1	59.25.4470	47u	20%	EL	ANY	R.....1	57.11.4331	330	5%	DIL16	ANY
C.....2	59.99.0205	68n	20%	CER	ANY	R.....2	57.11.4221	220	5%	DIL16	ANY
C.....3	59.99.0205	68n	20%	CER	ANY	R.....3	57.11.4331	330	5%	DIL16	ANY
C.....4	59.99.0205	68n	20%	CER	ANY	R.....4	57.11.4221	220	5%	DIL16	ANY
D.....1	50.04.0512	IN 5818			ANY	RZ.....1	57.88.3331	8*330	5%	DIL16	ANY
DL.....1	50.04.2129			COV 11-7, RED, DIFFUSE	ANY	RZ.....2	57.88.3331	8*330	5%	DIL16	ANY
DL.....2	50.04.2129			COV 11-7, RED, DIFFUSE	ANY	RZ.....3	57.88.3331	8*330	5%	DIL16	ANY
DL.....3	50.04.2152			HMP-1440, YELLOW	HP	RZ.....4	57.88.0101		14*30/220, 5%, DIL16	ANY	
DL.....4	50.04.2152			HMP-1440, YELLOW	HP	W.....1	1.010.010.64		WRAP-TYPE	St	
DL.....5	50.04.2162			HMP-1540, GREEN	HP	XIC...1	53.03.0168		DIL 16-PIN	ANY	
DL.....6	50.04.2162			HMP-1540, GREEN	HP	XIC...2	53.03.0168		DIL 16-PIN	ANY	
DL.....7	50.04.2162			HMP-1540, GREEN	HP	XIC...3	53.03.0168		DIL 16-PIN	ANY	
DL.....8	50.04.2162			HMP-1540, GREEN	HP						
DL.....9	50.04.2162			HMP-1540, GREEN	HP						
DL.....10	50.04.2162			HMP-1540, GREEN	HP						
DL.....11	50.04.2162			HMP-1540, GREEN	HP						
DL.....12	50.04.2162			HMP-1540, GREEN	HP						
DL.....13	50.04.2152			HMP-1440, YELLOW	HP						
DL.....14	50.04.2152			HMP-1440, YELLOW	HP						
DL.....15	50.04.2129			COV 11-7, RED, DIFFUSE	ANY						
DL.....16	50.04.2129			COV 11-7, RED, DIFFUSE	ANY						
IC.....1	50.05.0284			ULN 2003 A	ANY						
IC.....2	50.05.0284			ULN 2003 A	ANY						
IC.....3	50.05.0284			ULN 2003 A	ANY						
L.....1	62.01.0115			WIDE-BAND HF-CHOKE	Ph						
MP.....1	1.861.731.11			PCB	St						
MP.....2	28.99.0119			RIVETING NUT, 02.5*0.15*10	ANY						
MP.....3	28.99.0119			RIVETING NUT, 02.5*0.15*10	ANY						
(01) MP.....4	1.861.731.01			LABEL WITH ASSEMBLY NUMBER	St						
P.....1	54.14.2013			26-PIN FLAT CONNECTOR, 90DEGR	ANY						

REMARKS: *01: MODIFICATIONS ACCORDING TO SAMPLE

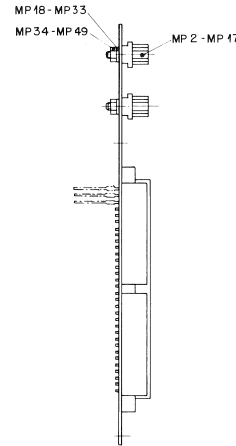
MANUFACTURERS:
St = STUDER
HP = HEWLETT-PACKARD
Ph = PHILIPS

ABBREVIATIONS:
CER = CERAMIC / EL = ELECTROLYTIC / GRN = GREEN / RED = RED / YEL = YELLOW
RZ = RESISTOR NETWORK / XIC = IC SOCKET

ORIG 85/07/22 (01) 86/11/03



1.861.890-01



IND.	POS.ND.	PART NO.	VALUE	SPECIFICATIONS / EQUIVALENT	MANUF.
(00)	J+001	54.11.2011	CONNECTOR 96-PIN TYP C F ACP	AMP	AMP
(01)	J+001	54.11.2025	CONNECTOR 64-PIN TYP C F ACP	AMP	AMP
(00)	J+002	54.11.2011	CONNECTOR 96-PIN TYP C F ACP	AMP	AMP
(01)	J+002	54.11.2025	CONNECTOR 64-PIN TYP C F ACP	AMP	AMP
(00)	J+003	54.11.2011	CONNECTOR 96-PIN TYP C F ACP	AMP	AMP
(01)	J+003	54.11.2025	CONNECTOR 64-PIN TYP C F ACP	AMP	AMP
(00)	J+004	54.11.2011	CONNECTOR 96-PIN TYP C F ACP	AMP	AMP
(01)	J+004	54.11.2025	CONNECTOR 64-PIN TYP C F ACP	AMP	AMP
(00)	J+005	54.11.2011	CONNECTOR 96-PIN TYP C F ACP	AMP	AMP
(01)	J+005	54.11.2025	CONNECTOR 64-PIN TYP C F ACP	AMP	AMP
(00)	J+006	54.11.2011	CONNECTOR 96-PIN TYP C F ACP	AMP	AMP
(01)	J+006	54.11.2025	CONNECTOR 64-PIN TYP C F ACP	AMP	AMP
(00)	J+007	54.11.2011	CONNECTOR 96-PIN TYP C F ACP	AMP	AMP
(01)	J+007	54.11.2025	CONNECTOR 64-PIN TYP C F ACP	AMP	AMP
(00)	J+008	54.11.2011	CONNECTOR 96-PIN TYP C F ACP	AMP	AMP
(01)	J+008	54.11.2025	CONNECTOR 64-PIN TYP C F ACP	AMP	AMP
(00)	J+009	54.11.2011	CONNECTOR 96-PIN TYP C F ACP	AMP	AMP
(01)	J+009	54.11.2025	CONNECTOR 64-PIN TYP C F ACP	AMP	AMP
(00)	J+010	54.11.2011	CONNECTOR 96-PIN TYP C F ACP	AMP	AMP
(01)	J+010	54.11.2025	CONNECTOR 64-PIN TYP C F ACP	AMP	AMP
(00)	J+011	54.11.2011	CONNECTOR 96-PIN TYP C F ACP	AMP	AMP
(01)	J+011	54.11.2025	CONNECTOR 64-PIN TYP C F ACP	AMP	AMP
J+012	54.13.0043	D-SUB CONNECTOR 25 PIN F ACP	AMP	AMP	
J+013	54.13.0043	D-SUB CONNECTOR 25 PIN F ACP	AMP	AMP	
J+014	54.13.0043	D-SUB CONNECTOR 25 PIN F ACP	AMP	AMP	
J+015	54.13.0043	D-SUB CONNECTOR 25 PIN F ACP	AMP	AMP	
J+016	54.13.0043	D-SUB CONNECTOR 25 PIN F ACP	AMP	AMP	
J+017	54.13.0043	D-SUB CONNECTOR 25 PIN F ACP	AMP	AMP	
J+018	54.13.0043	D-SUB CONNECTOR 25 PIN F ACP	AMP	AMP	
J+019	54.13.0043	D-SUB CONNECTOR 25 PIN F ACP	AMP	AMP	
MP+001	1.861.890-12	PCB	SL	SL	
MP+002	1.010.032-54	STAND-OFF WITH THREAD/LOCKING TYPE	SL	SL	
MP+003	1.010.032-54	STAND-OFF WITH THREAD/LOCKING TYPE	SL	SL	
MP+004	1.010.032-54	STAND-OFF WITH THREAD/LOCKING TYPE	SL	SL	
MP+005	1.010.032-54	STAND-OFF WITH THREAD/LOCKING TYPE	SL	SL	
MP+006	1.010.032-54	STAND-OFF WITH THREAD/LOCKING TYPE	SL	SL	

STUDER (01) 85/12/11 EM BACKPANEL RACK 1.861.890-01 PAGE 1

IND.	POS.ND.	PART NO.	VALUE	SPECIFICATIONS / EQUIVALENT	MANUF.
MP+007	1.010.032-54	STAND-OFF WITH THREAD/LOCKING TYPE	SL	SL	
MP+008	1.010.032-54	STAND-OFF WITH THREAD/LOCKING TYPE	SL	SL	
MP+009	1.010.032-54	STAND-OFF WITH THREAD/LOCKING TYPE	SL	SL	
MP+010	1.010.032-54	STAND-OFF WITH THREAD/LOCKING TYPE	SL	SL	
MP+011	1.010.032-54	STAND-OFF WITH THREAD/LOCKING TYPE	SL	SL	
MP+012	1.010.032-54	STAND-OFF WITH THREAD/LOCKING TYPE	SL	SL	
MP+013	1.010.032-54	STAND-OFF WITH THREAD/LOCKING TYPE	SL	SL	
MP+014	1.010.032-54	STAND-OFF WITH THREAD/LOCKING TYPE	SL	SL	
MP+015	1.010.032-54	STAND-OFF WITH THREAD/LOCKING TYPE	SL	SL	
MP+016	1.010.032-54	STAND-OFF WITH THREAD/LOCKING TYPE	SL	SL	
MP+017	1.010.032-54	STAND-OFF WITH THREAD/LOCKING TYPE	SL	SL	
MP+018	24.16.1030	LOCK WASHER	ANY	ANY	
MP+019	24.16.1030	LOCK WASHER	ANY	ANY	
MP+020	24.16.1030	LOCK WASHER	ANY	ANY	
MP+021	24.16.1030	LOCK WASHER	ANY	ANY	
MP+022	24.16.1030	LOCK WASHER	ANY	ANY	
MP+023	24.16.1030	LOCK WASHER	ANY	ANY	
MP+024	24.16.1030	LOCK WASHER	ANY	ANY	
MP+025	24.16.1030	LOCK WASHER	ANY	ANY	
MP+026	24.16.1030	LOCK WASHER	ANY	ANY	
MP+027	24.16.1030	LOCK WASHER	ANY	ANY	
MP+028	24.16.1030	LOCK WASHER	ANY	ANY	
MP+029	24.16.1030	LOCK WASHER	ANY	ANY	
MP+030	24.16.1030	LOCK WASHER	ANY	ANY	
MP+031	24.16.1030	LOCK WASHER	ANY	ANY	
MP+032	24.16.1030	LOCK WASHER	ANY	ANY	
MP+033	24.16.1030	LOCK WASHER	ANY	ANY	
MP+034	22-01-8030	NUT M3	ANY	ANY	
MP+035	22-01-8030	NUT M3	ANY	ANY	
MP+036	22-01-8030	NUT M3	ANY	ANY	
MP+037	22-01-8030	NUT M3	ANY	ANY	
MP+038	22-01-8030	NUT M3	ANY	ANY	
MP+039	22-01-8030	NUT M3	ANY	ANY	
MP+040	22-01-8030	NUT M3	ANY	ANY	
MP+041	22-01-8030	NUT M3	ANY	ANY	
MP+042	22-01-8030	NUT M3	ANY	ANY	
MP+043	22-01-8030	NUT M3	ANY	ANY	
MP+044	22-01-8030	NUT M3	ANY	ANY	
MP+045	22-01-8030	NUT M3	ANY	ANY	
MP+046	22-01-8030	NUT M3	ANY	ANY	
MP+047	22-01-8030	NUT M3	ANY	ANY	
MP+048	22-01-8030	NUT M3	ANY	ANY	
MP+049	22-01-8030	NUT M3	ANY	ANY	
P+001	54.99-0170	26 PIN FLAT-CONNECTOR M ACP	AMP	AMP	
P+002	54.99-0170	26 PIN FLAT-CONNECTOR M ACP	AMP	AMP	

STUDER (01) 85/12/11 EM BACKPANEL RACK 1.861.890-01 PAGE 2

IND.	POS.ND.	PART NO.	VALUE	SPECIFICATIONS / EQUIVALENT	MANUF.
MP+044	22-01-8030	NUT M3	ANY	ANY	
MP+045	22-01-8030	NUT M3	ANY	ANY	
MP+046	22-01-8030	NUT M3	ANY	ANY	
MP+047	22-01-8030	NUT M3	ANY	ANY	
MP+048	22-01-8030	NUT M3	ANY	ANY	
MP+049	22-01-8030	NUT M3	ANY	ANY	
P+001	54.99-0170	26 PIN FLAT-CONNECTOR M ACP	AMP	AMP	
P+002	54.99-0170	26 PIN FLAT-CONNECTOR M ACP	AMP	AMP	

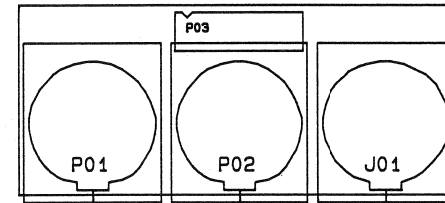
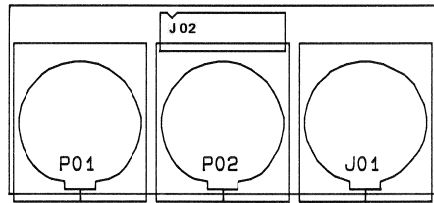
REMARKS: MOD 01: NEW PCB, DIFFERENT EURO CONNECTOR TYPE (A, C), QTY = 7 PCS.

MANUFACTURER: SL = STUDER AMP = AMP

ABBREVIATIONS: ACP = ACTION PIN SYSTEM CONNECTOR F = FEMALE CONNECTOR M = MALE CONNECTOR

ORIG 85/12/10 (01) 84/12/11

STUDER (01) 85/12/11 EM BACKPANEL RACK 1.861.890-01 PAGE 3



IND.	POS.NO.	PART NO.	VALUE	SPECIFICATIONS / EQUIVALENT	MANUF.
P.....1		54-21-2001		XLR MALE	ANY
P.....2		54-21-2001		XLR MALE	ANY
HP.....1		1-861-586-11		PCB(05A)	SE
HP.....2		20-21-7102		PHILIPS SCREW D2-2 9x5	ANY
HP.....3		20-21-7102		PHILIPS SCREW D2-2 9x5	ANY
HP.....4		20-21-7102		PHILIPS SCREW D2-2 9x5	ANY
J.....1		54-21-2002		XLR FEMALE	ANY
J.....2		54-01-0242		CONNECTOR CIS 10-PIN	ANY

REMARKS:

MANUFACTURERS:
SE = STUDER

DRIG 05/07/22

S T U D E R (00) 05/07/22 EM CONNECTOR FIELD CUE USA 1-861-586-00 PAGE 1

IND.	POS.NO.	PART NO.	VALUE	SPECIFICATIONS / EQUIVALENT	MANUF.
J.....1		54-21-2001		XLR MALE	ANY
HP.....1		1-861-774-11		PCB(EUROPE)	SE
HP.....2		20-21-7102		PHILIPS SCREW D2-2 9x5	ANY
HP.....3		20-21-7102		PHILIPS SCREW D2-2 9x5	ANY
HP.....4		20-21-7102		PHILIPS SCREW D2-2 9x5	ANY
P.....1		54-21-2002		XLR FEMALE	ANY
P.....2		54-21-2002		XLR FEMALE	ANY
P.....3		54-01-0242		CONNECTOR CIS 10-PIN	ANY

REMARKS:

MANUFACTURERS:

SE = STUDER /

ABBREVIATIONS:

CER = CERAMIC / FILM = FILM TYPE / XF = CLAMP FOR FUSES /

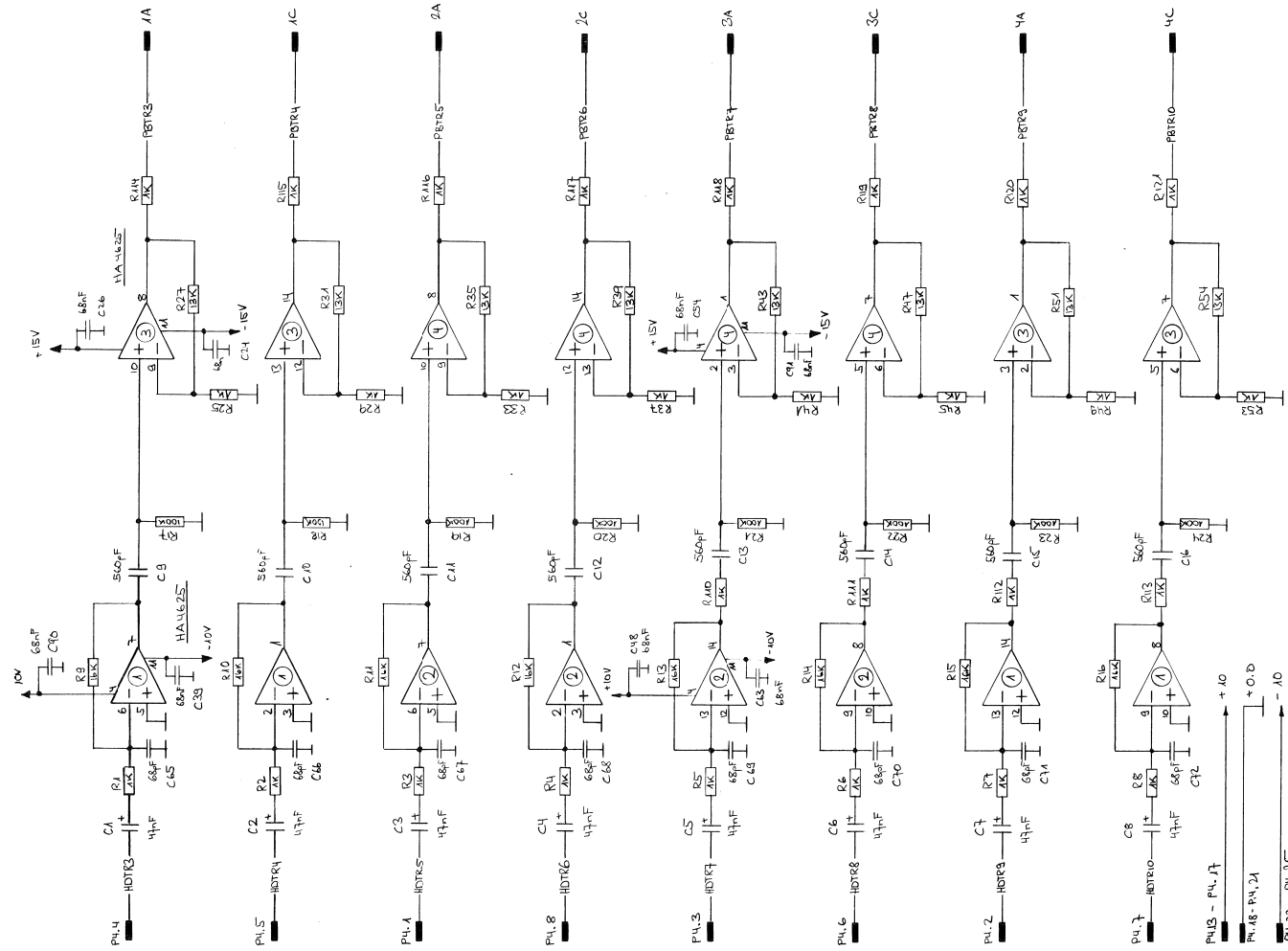
KIC = ILS SOCKET

DRIG 05/06/26

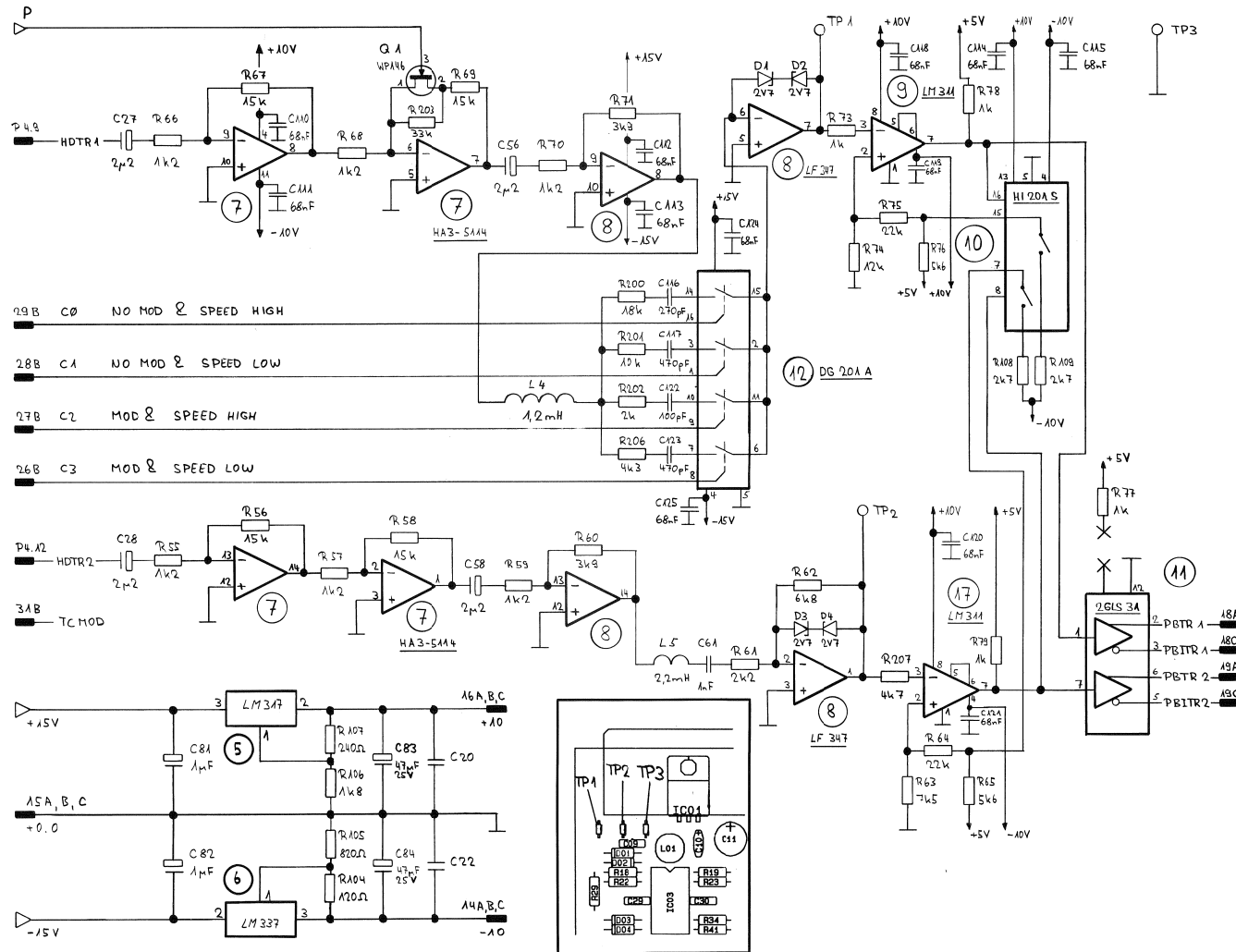
S T U D E R (00) 05/06/26 SN CONNECTORFIELD CUE EURO 1-861-774-00 PAGE 1

2. ASSEMBLY 2**CAGES**

CONTENS	SCHEMATIC NO.	SECTION/PAGE
BOARD LOCATION		2/2
PLAYBACK AMPLIFIER	1.861.801.00	2/3
TAPE DECK MONITOR	1.861.802.00 (OPTIONAL)	2/9
WRITE AMPLIFIER	1.861.803.00	2/11
DETECTOR	1.861.804.00	2/15
BACKPANEL CAGE	1.861.895.00	2/19



0	24.0686	AR	...	D820X	...	PAGE 1 OF 3
STUDER			PLAYBACK AMPLIFIER			1.861.801.00



- 29B C0 NO MOD & SPEED HIGH
- 28B C1 NO MOD & SPEED LOW
- 27B C2 MOD & SPEED HIGH
- 26B C3 MOD & SPEED LOW

P4A2 HDTR2
3AB TC MOD

0 2.5.1.86 P. Pfisterer

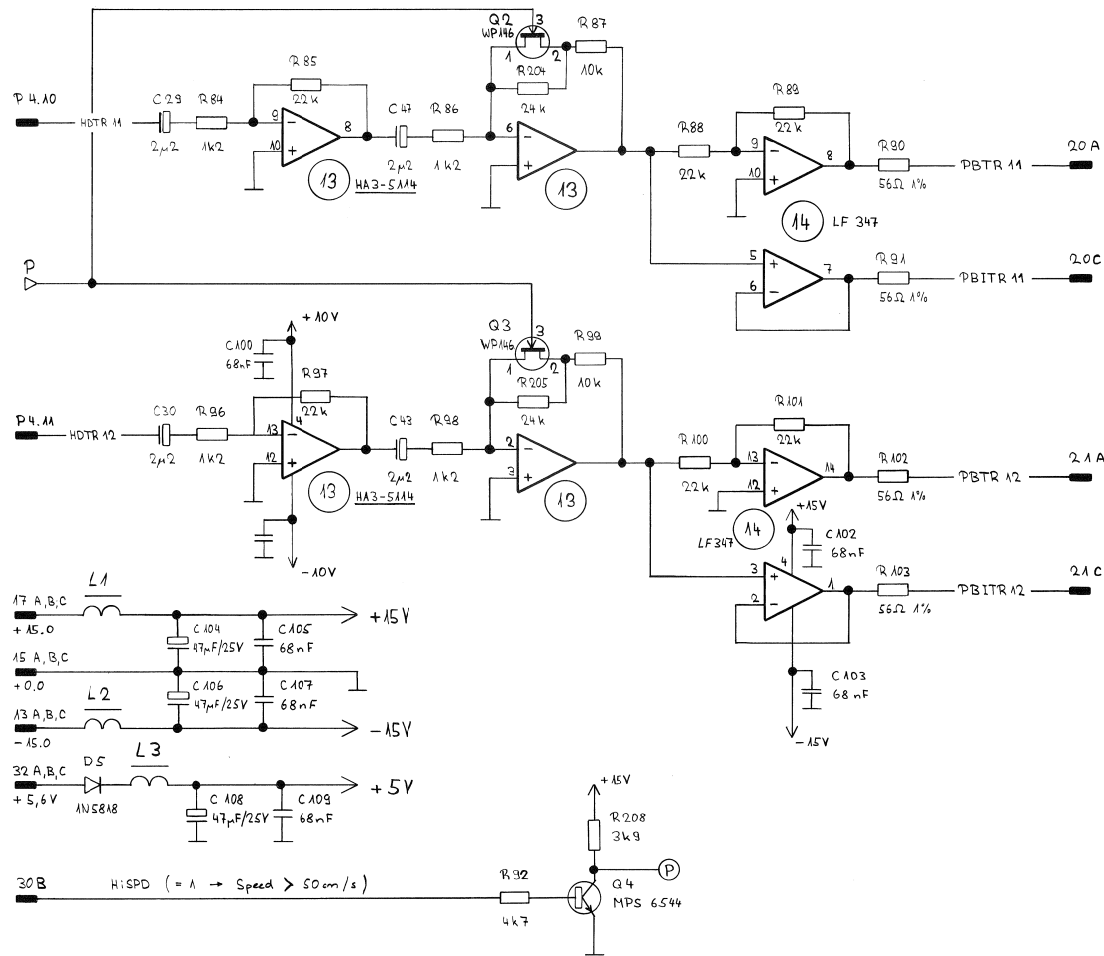
D 820 X

STUDER

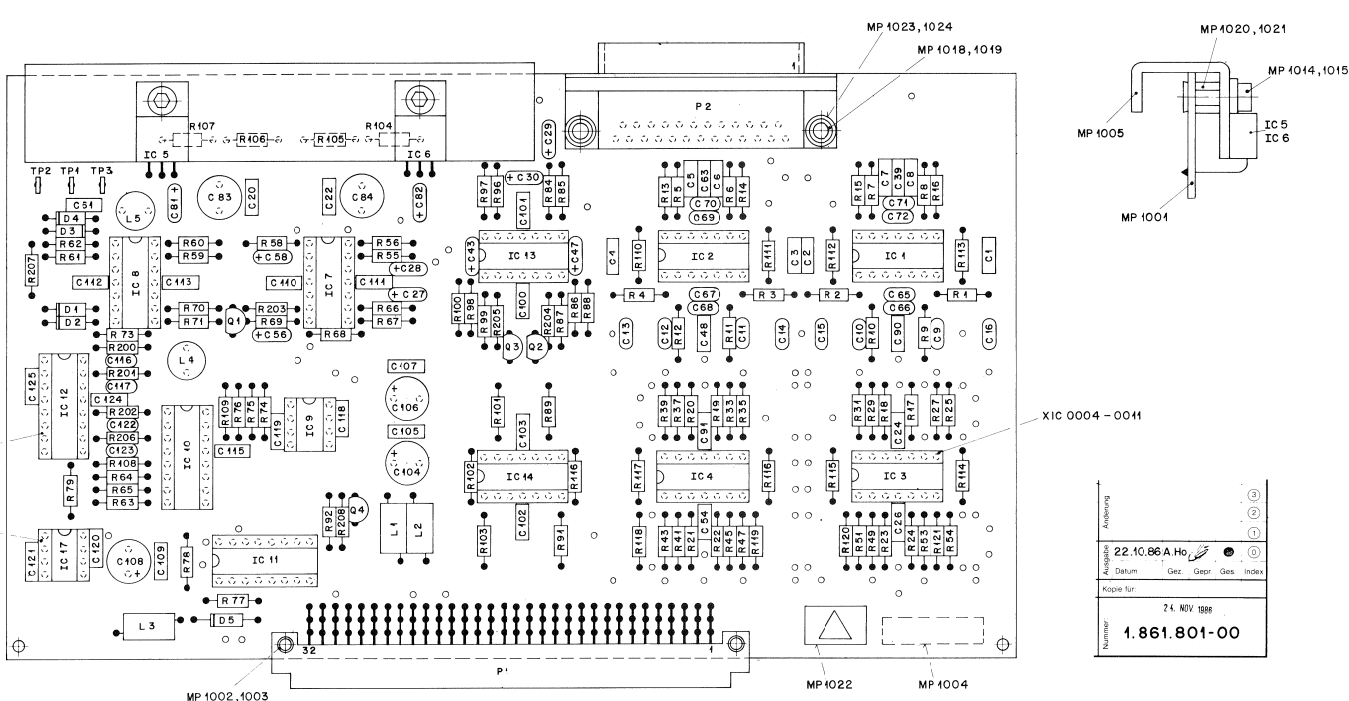
PLAYBACK AMP/TC & RT TRACKS

1.861.801.00

PAGE 2 OF 3



0 24.11.86 R. Pfeister
 D820X
 STUDER
 PLAYBACK AMP/CUE TRACKS
 1.861.801.00
 PAGE 3 OF 3



IND.	POS.-NO.	PART NO.	VALUE	SPECIFICATIONS / EQUIVALENT	MANUF.
MP-1011	50.20.0806			FEEDTHROUGH, INSULATED	ANY
MP-1012	50.20.0305			INSULATING WASHER	ANY
MP-1013	50.20.0305			INSULATING WASHER	ANY
MP-1014	21.53.0356			SCREW, M3x10mm	ANY
MP-1015	21.53.0356			SCREW, M3x10mm	ANY
MP-1016	1.010.096.27			SPACING TUB 3.1, 752.3	ANY
MP-1017	28.21.1480			SPACING TUB 3.1, 752.3	ANY
MP-1018	1.010.014.22			STAND-OFF, RIVETING TYPE, M3x4.5	ANY
MP-1019	1.010.014.22			STAND-OFF, RIVETING TYPE, M3x4.5	ANY
MP-1020	43.01.2108			LABEL "E5"	ANY
MP-1021	23.01.1032			WASHER 3.2/680.5	ANY
MP-1022	23.01.1032			WASHER 3.2/680.5	ANY
P-0001	54.01.0358			96-PIN CONNECTOR, SOLDERING	ANY
P-0002	54.13.0013			DSUB25+ MALE, 90DEGR.	ANY
Q-0001	50.03.0307	MP146			SIX
Q-0002	50.03.0307	MP146			SIX
Q-0003	50.03.0307	MP146			SIX
Q-0004	50.03.0327	MP50944			ANY
R-0001	57.11.4102	1.0K	2%		ANY
R-0002	57.11.4102	1.0K	2%		ANY
R-0003	57.11.4102	1.0K	2%		ANY
R-0004	57.11.4102	1.0K	2%		ANY
R-0005	57.11.4102	1.0K	2%		ANY
R-0006	57.11.4102	1.0K	2%		ANY
R-0007	57.11.4102	1.0K	2%		ANY
R-0008	57.11.4102	1.0K	2%		ANY
R-0009	57.11.4102	1.0K	2%		ANY
R-0010	57.11.4102	1.0K	2%		ANY
R-0011	57.11.3163	16K	2%		ANY
R-0012	57.11.3163	16K	2%		ANY
R-0013	57.11.3163	16K	2%		ANY
R-0014	57.11.3163	16K	2%		ANY

S T U D E R (01) 86/10/17 Sn PLAYBACK AMPLIFIER 1.861.801.00 PAGE 4

IND.	POS.-NO.	PART NO.	VALUE	SPECIFICATIONS / EQUIVALENT	MANUF.
R-0015	57.11.3163	16K	2%		ANY
R-0016	57.11.3163	16K	2%		ANY
R-0017	57.11.4104	100K	2%		ANY
R-0018	57.11.4104	100K	2%		ANY
R-0019	57.11.4104	100K	2%		ANY
R-0020	57.11.4104	100K	2%		ANY
R-0021	57.11.4104	100K	2%		ANY
R-0022	57.11.4104	100K	2%		ANY
R-0023	57.11.4104	100K	2%		ANY
R-0024	57.11.4104	100K	2%		ANY
R-0025	57.11.4104	100K	2%		ANY
R-0026	57.11.4104	100K	2%		ANY
R-0027	57.11.3133	13K	2%		ANY
R-0028	57.11.3133	13K	2%		ANY
R-0029	57.11.3133	13K	2%		ANY
R-0030	57.11.3133	13K	2%		ANY
R-0031	57.11.3133	13K	2%		ANY
R-0032	57.11.3133	13K	2%		ANY
R-0033	57.11.3133	13K	2%		ANY
R-0034	57.11.3133	13K	2%		ANY
R-0035	57.11.3133	13K	2%		ANY
R-0036	57.11.3133	13K	2%		ANY
R-0037	57.11.3133	13K	2%		ANY
R-0038	57.11.3133	13K	2%		ANY
R-0039	57.11.3133	13K	2%		ANY
R-0040	57.11.3133	13K	2%		ANY
R-0041	57.11.3133	13K	2%		ANY
R-0042	57.11.3133	13K	2%		ANY
R-0043	57.11.3133	13K	2%		ANY
R-0044	57.11.3133	13K	2%		ANY
R-0045	57.11.3133	13K	2%		ANY
R-0046	57.11.3133	13K	2%		ANY
R-0047	57.11.3133	13K	2%		ANY
R-0048	57.11.3133	13K	2%		ANY
R-0049	57.11.3133	13K	2%		ANY
R-0050	57.11.3133	13K	2%		ANY
R-0051	57.11.4122	1.2K	2%		ANY
R-0052	57.11.4122	1.2K	2%		ANY
R-0053	57.11.4122	1.2K	2%		ANY
R-0054	57.11.4122	1.2K	2%		ANY
R-0055	57.11.4122	1.2K	2%		ANY
R-0056	57.11.4122	1.2K	2%		ANY
R-0057	57.11.4122	1.2K	2%		ANY
R-0058	57.11.4122	1.2K	2%		ANY
R-0059	57.11.4122	1.2K	2%		ANY
R-0060	57.11.4122	1.2K	2%		ANY
R-0061	57.11.4122	1.2K	2%		ANY
R-0062	57.11.4122	1.2K	2%		ANY
R-0063	57.11.4122	1.2K	2%		ANY
R-0064	57.11.4122	1.2K	2%		ANY
R-0065	57.11.4122	1.2K	2%		ANY

S T U D E R (01) 86/10/17 Sn PLAYBACK AMPLIFIER 1.861.801.00 PAGE 5

IND.	POS.-NO.	PART NO.	VALUE	SPECIFICATIONS / EQUIVALENT	MANUF.
C-0001	59.06.5473	47n	5%	20V, FILM	ANY
C-0002	59.06.5473	7n	5%	20V, FILM	ANY
C-0003	59.06.5473	47n	5%	20V, FILM	ANY
C-0004	59.06.5473	47n	5%	20V, FILM	ANY
C-0005	59.06.5473	47n	5%	20V, FILM	ANY
C-0006	59.06.5473	47n	5%	20V, FILM	ANY
C-0007	59.06.5473	47n	5%	20V, FILM	ANY
C-0008	59.06.5473	47n	5%	20V, FILM	ANY
C-0009	59.34.5561	500p	10%	50V, CER	ANY
C-0010	59.34.5561	500p	10%	50V, CER	ANY
C-0011	59.34.5561	500p	10%	50V, CER	ANY
C-0012	59.34.5561	500p	10%	50V, CER	ANY
C-0013	59.34.5561	500p	10%	50V, CER	ANY
C-0014	59.34.5561	500p	10%	50V, CER	ANY
C-0015	59.34.5561	500p	10%	50V, CER	ANY
C-0016	59.34.5561	500p	10%	50V, CER	ANY
C-0017	59.99.0205	68n	20%	CER	ANY
C-0018	59.99.0205	68n	20%	CER	ANY
C-0019	59.99.0205	68n	20%	CER	ANY
C-0020	59.99.0205	68n	20%	CER	ANY
C-0021	59.99.0205	68n	20%	CER	ANY
C-0022	59.99.0205	68n	20%	CER	ANY
C-0023	59.99.0205	68n	20%	CER	ANY
C-0024	59.99.0205	68n	20%	CER	ANY
C-0025	59.99.0205	68n	20%	CER	ANY
C-0026	59.26.9229	2.2 u	20%	25V, SAL	ANY
C-0027	59.26.9229	2.2 u	20%	25V, SAL	ANY
C-0028	59.26.9229	2.2 u	20%	25V, SAL	ANY
C-0029	59.26.9229	2.2 u	20%	25V, SAL	ANY
C-0030	59.26.9229	2.2 u	20%	25V, SAL	ANY
C-0031	59.99.0205	68n	20%	CER	ANY
C-0032	59.26.9229	2.2 u	20%	25V, SAL	ANY
C-0033	59.26.9229	2.2 u	20%	25V, SAL	ANY
C-0034	59.26.9229	2.2 u	20%	25V, SAL	ANY
C-0035	59.99.0205	68n	20%	CER	ANY
C-0036	59.26.9229	2.2 u	20%	25V, SAL	ANY
C-0037	59.26.9229	2.2 u	20%	25V, SAL	ANY
C-0038	59.26.9229	2.2 u	20%	25V, SAL	ANY
C-0039	59.99.0205	68n	20%	CER	ANY
C-0040	59.26.9229	2.2 u	20%	25V, SAL	ANY
C-0041	59.26.9229	2.2 u	20%	25V, SAL	ANY
C-0042	59.26.9229	2.2 u	20%	25V, SAL	ANY
C-0043	59.26.9229	2.2 u	20%	25V, SAL	ANY
C-0044	59.99.0205	68n	20%	CER	ANY
C-0045	59.26.9229	2.2 u	20%	25V, SAL	ANY
C-0046	59.26.9229	2.2 u	20%	25V, SAL	ANY
C-0047	59.26.9229	2.2 u	20%	25V, SAL	ANY
C-0048	59.99.0205	68n	20%	CER	ANY
C-0049	59.26.9229	2.2 u	20%	25V, SAL	ANY
C-0050	59.26.9229	2.2 u	20%	25V, SAL	ANY
C-0051	59.26.9229	2.2 u	20%	25V, SAL	ANY
C-0052	59.26.9229	2.2 u	20%	25V, SAL	ANY
C-0053	59.26.9229	2.2 u	20%	25V, SAL	ANY
C-0054	59.99.0205	68n	20%	CER	ANY
C-0055	59.26.9229	2.2 u	20%	25V, SAL	ANY
C-0056	59.26.9229	2.2 u	20%	25V, SAL	ANY
C-0057	59.26.9229	2.2 u	20%	25V, SAL	ANY
C-0058	59.99.0205	68n	20%	CER	ANY
C-0059	59.26.9229	2.2 u	20%	25V, SAL	ANY
C-0060	59.26.9229	2.2 u	20%	25V, SAL	ANY
C-0061	59.26.9229	2.2 u	20%	25V, SAL	ANY
C-0062	59.26.9229	2.2 u	20%	25V, SAL	ANY
C-0063	59.26.9229	2.2 u	20%	25V, SAL	ANY
C-0064	59.26.9229	2.2 u	20%	25V, SAL	ANY
C-0065	59.26.9229	2.2 u	20%	25V, SAL	ANY

IND.	POS.-NO.	PART NO.	VALUE	SPECIFICATIONS / EQUIVALENT	MANUF.
C-0066	59.34.4680	68p	20%	CER	ANY
C-0067	59.34.4680	68p	20%	CER	ANY
C-0068	59.34.4680	68p	20%	CER	ANY
C-0069	59.34.4680	68p	20%	CER	ANY
C-0070	59.34.4680	68p	20%	CER	ANY
C-0071	59.34.4680	68p	20%	CER	ANY
C-0072	59.34.4680	68p	20%	CER	ANY
C-0073	59.26.9229	2.2 u	20%	25V, SAL	ANY
C-0074	59.26.9229	2.2 u	20%	25V, SAL	ANY
C-0075	59.26.9229	2.2 u	20%	25V, SAL	ANY
C-0076	59.26.9229	2.2 u	20%	25V, SAL	ANY
C-0077	59.26.9229	2.2 u	20%	25V, SAL	ANY
C-0078	59.26.9229	2.2 u	20%	25V, SAL	ANY
C-0079	59.26.9229	2.2 u	20%	25V, SAL	ANY
C-0080	59.26.9229	2.2 u	20%	25V, SAL	ANY
C-0081	59.26.9229	2.2 u	20%	25V, SAL	ANY
C-0082	59.26.9229	2.2 u	20%	25V, SAL	ANY
C-0083	59.26.9229	2.2 u	20%	25V, SAL	ANY
C-0084	59.26.9229	2.2 u	20%	25V, SAL	ANY
C-0085	59.26.9229	2.2 u	20%	25V, SAL	ANY
C-0086	59.26.9229	2.2 u	20%	25V, SAL	ANY
C-0087	59.26.9229	2.2 u	20%	25V, SAL	ANY
C-0088	59.26.9229	2.2 u	20%	25V, SAL	ANY

PLAYBACK AMPLIFIER

1.861.801.00

PAGE 5 (LAST)

IND.	POS.NO.	PART NO.	VALUE	SPECIFICATIONS / EQUIVALENT	MANUF.
R..0111		57.11.4102	1k	2%	ANY
A..0212		57.11.4102	1k	2%	ANY
R..0113		57.11.4102	1k	2%	ANY
R..0114		57.11.4102	1k	2%	ANY
R..0115		57.11.4102	1k	2%	ANY
R..0116		57.11.4102	1k	2%	ANY
R..0117		57.11.4102	1k	2%	ANY
R..0118		57.11.4102	1k	2%	ANY
R..0119		57.11.4102	1k	2%	ANY
R..0120		57.11.4102	1k	2%	ANY
R..0121		57.11.4102	1k	2%	ANY
R..0200		57.11.4183	18k	2%	ANY
R..0201		57.11.4103	10k	2%	ANY
R..0202		57.11.3202	2k	2%	ANY
R..0203		57.11.4333	33k	2%	ANY
R..0204		57.11.3243	24k	2%	ANY
R..0205		57.11.3243	24k	2%	ANY
R..0206		57.11.3432	4.3k	2%	ANY
R..0207		57.11.4472	4.7k	2%	ANY
R..0208		57.11.4392	3.9k	2%	ANY
TP.0001		29.21.6002		TESTPOINT	ANY
TP.0002		29.21.6002		TESTPOINT	ANY
TP.0003		29.21.6002		TESTPOINT	ANY
XIC0001		53.03.0168		16-PIN	ANY
XIC0002		53.03.0168		16-PIN	ANY
XIC0003		53.03.0168		16-PIN	ANY
XIC0004		53.03.0167		14-PIN	ANY
XIC0005		53.03.0167		14-PIN	ANY
XIC0006		53.03.0167		14-PIN	ANY
XIC0007		53.03.0167		14-PIN	ANY
XIC0008		53.03.0167		14-PIN	ANY
XIC0009		53.03.0167		14-PIN	ANY
XIC0010		53.03.0167		14-PIN	ANY
XIC0011		53.03.0167		14-PIN	ANY
XIC0012		53.03.0166		8-PIN	ANY

S T U D E R (01) 86/10/17 Sn PLAYBACK AMPLIFIER 1.861.801.00 PAGE 7

IND.	POS.NO.	PART NO.	VALUE	SPECIFICATIONS / EQUIVALENT	MANUF.
		XIC0013		8-PIN	ANY

REMARKS:

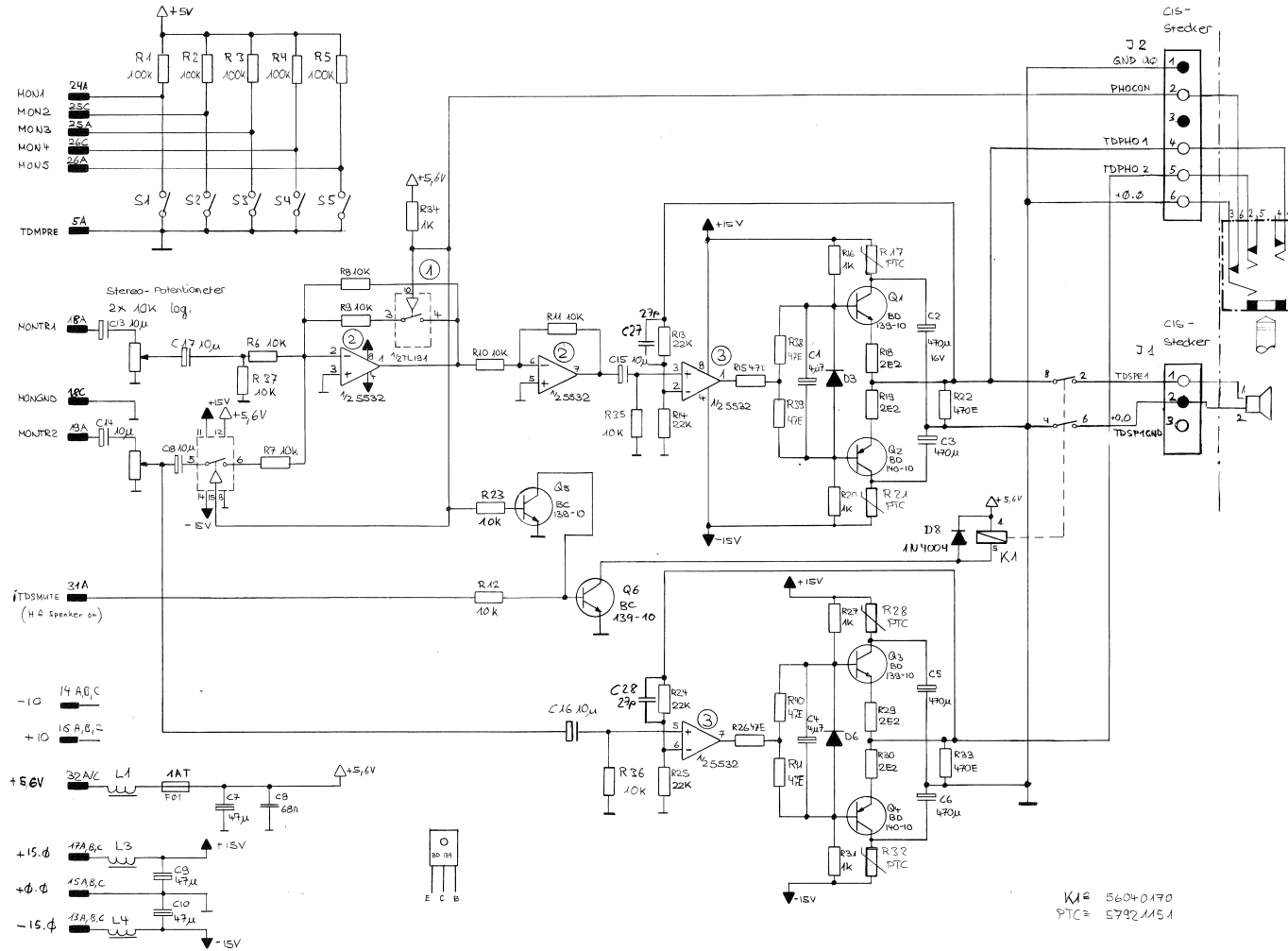
MANUFACTURERS:
 St = STUDER / Ph = PHILIPS / Mot = MOTOROLA / Six = SILICONIX /
 Ha = HARRIS / ITT = INT. TELEPHONE & TELEGRAPH

ABBREVIATIONS:
 CER = CERAMIC / FILM = FILM TYPE / XF = CLAMP FOR FUSES /
 XIC = IC SOCKET

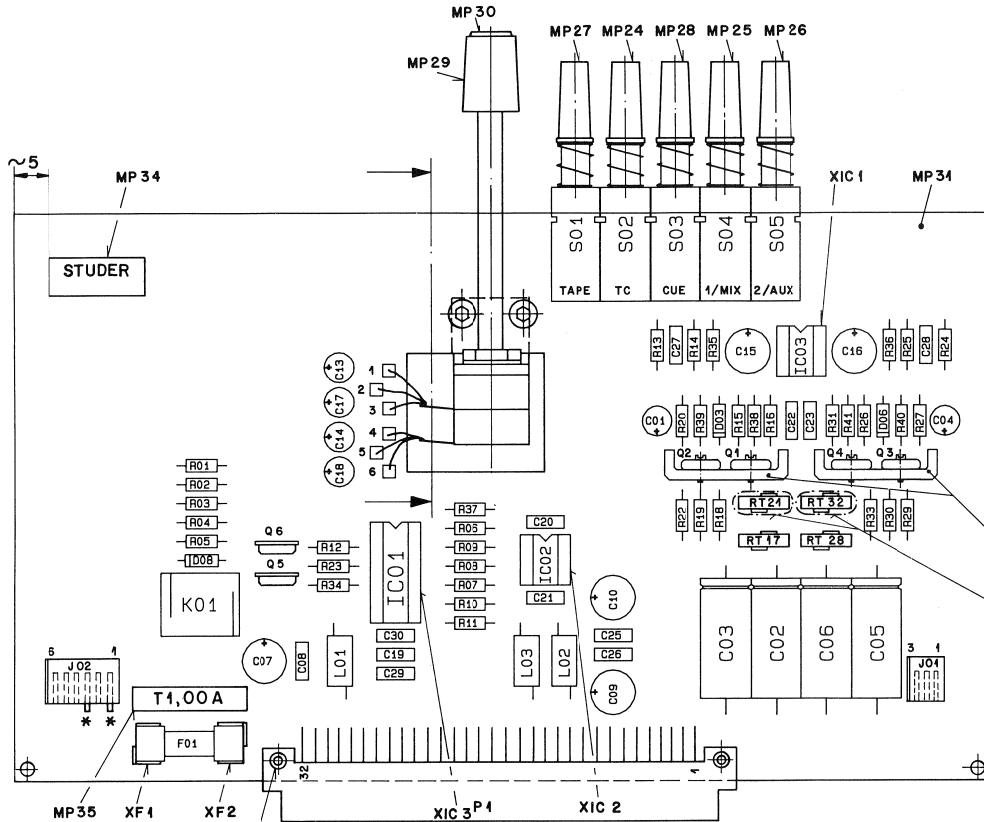
ORIG 86/10/17

S T U D E R (01) 86/10/17 Sn PLAYBACK AMPLIFIER 1.861.801.00 PAGE 8

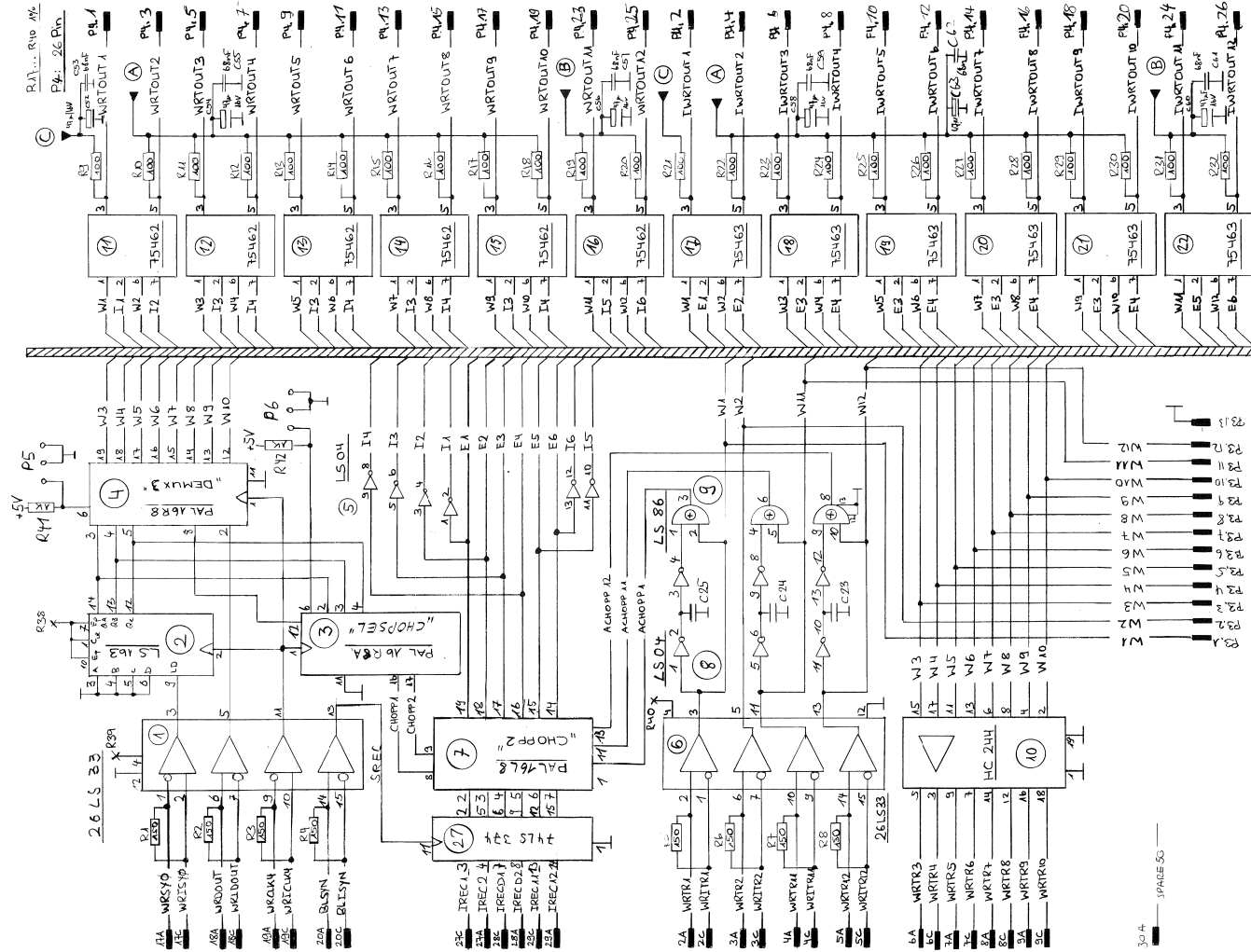
STUDER
 TAPE-DECK-MONITOR
 1.861.802.00



K1 = 56040470
 PTC = 57921151

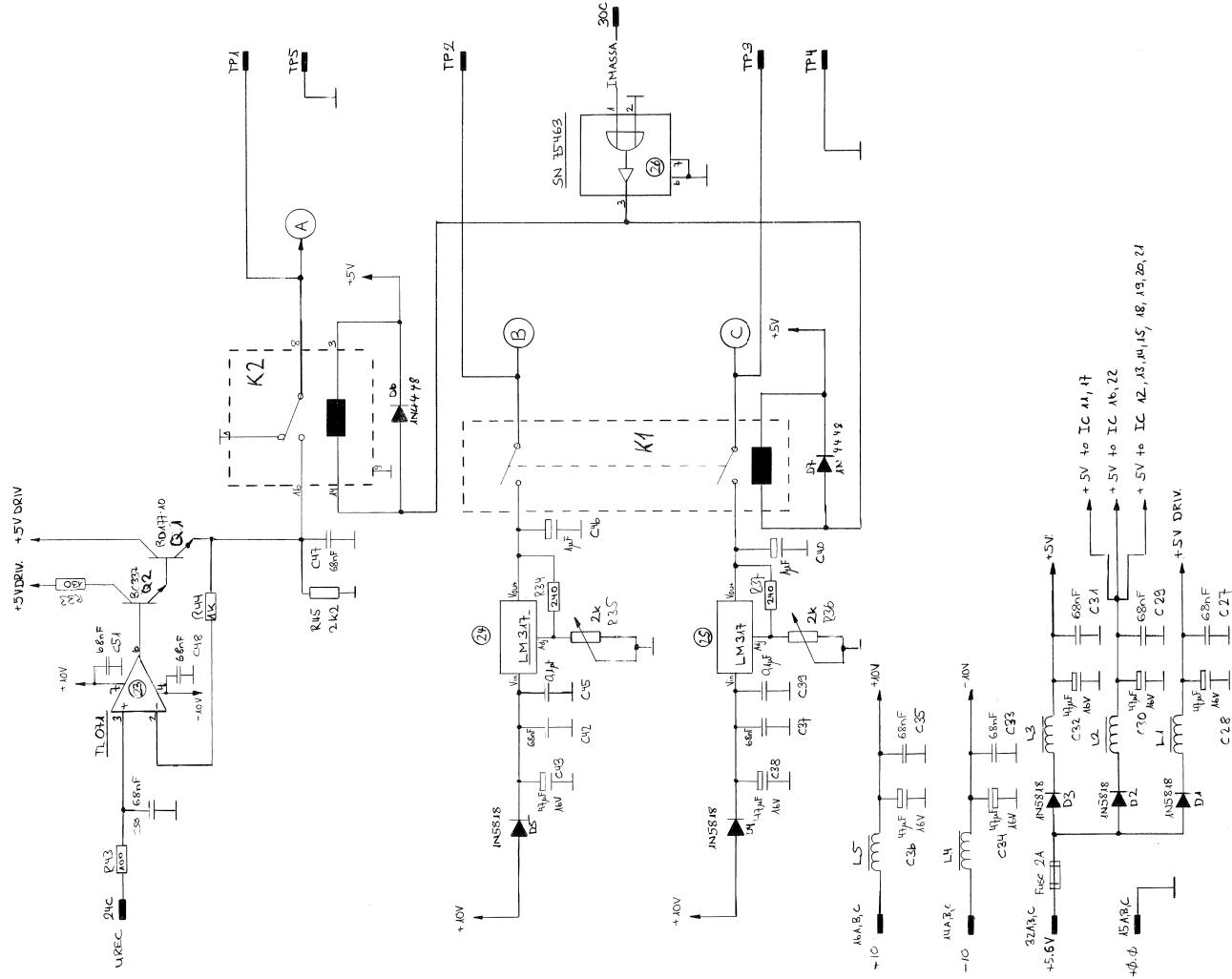


IND.	POS.ND.	PART NO.	VALUE	SPECIFICATIONS / EQUIVALENT	MANUF.
MP	27	42.01.0201		BUTTON FOR POTENTIOMETER	ANY
MP	28	50.03.0451		COVER FOR BUTTON	ANY
MP	31	1.861.802.11		PCB	ANY
MP	32	2.8.99.0119		CRIPPING NUT, D2-560-15*10	ANY
MP	33	2.8.99.0119		CRIPPING NUT, D2-560-15*10	ANY
MP	34	1.861.802.01		NAME PLATE	ANY
MP	35	1.010.115.51		FUSE LABEL, 1A	ANY
MP	36	1.010.010.22		NUT, W/FRG. 75	ANY
MP	37	1.010.127.65		SHRINKING TUBE	ANY
MP	38	1.010.127.65		SHRINKING TUBE	ANY
P	1	56.01.0365		CARD CONNECTOR, 2532 EURO SOLDERING	ANY
Q	1	50.03.0451		BD 139 NPN	ANY
Q	2	50.03.0451		BD 139 NPN	ANY
Q	3	50.03.0451		BD 139 NPN	ANY
Q	4	50.03.0451		BD 139 NPN	ANY
R	1	57.11.4104	100K	2%	ANY
R	2	57.11.4104	100K	2%	ANY
R	3	57.11.4104	100K	2%	ANY
R	4	57.11.4104	100K	2%	ANY
R	5	57.11.4103	10K	2%	ANY
R	6	57.11.4103	10K	2%	ANY
R	7	57.11.4103	10K	2%	ANY
R	8	57.11.4103	10K	2%	ANY
R	9	57.11.4103	10K	2%	ANY
R	10	57.11.4103	10K	2%	ANY
R	11	57.11.4103	10K	2%	ANY
R	12	57.11.4103	10K	2%	ANY
R	13	57.11.4103	10K	2%	ANY
R	14	57.11.4103	10K	2%	ANY
R	15	57.11.4103	10K	2%	ANY
R	16	57.11.4102	2K	2%	ANY
R	17	57.11.4102	2K	2%	ANY
R	18	57.11.4102	2K	2%	ANY
R	19	57.11.4102	2K	2%	ANY
R	20	57.11.4102	2K	2%	ANY
R	21	57.11.4102	2K	2%	ANY
R	22	57.11.4102	2K	2%	ANY
R	23	57.11.4102	2K	2%	ANY
R	24	57.11.4102	2K	2%	ANY
R	25	57.11.4102	2K	2%	ANY
R	26	57.11.4102	2K	2%	ANY
R	27	57.11.4102	2K	2%	ANY
R	28	57.11.4102	2K	2%	ANY
R	29	57.11.4102	2K	2%	ANY
R	30	57.11.4102	2K	2%	ANY
R	31	57.11.4102	2K	2%	ANY
R	32	57.11.4102	2K	2%	ANY
R	33	57.11.4102	2K	2%	ANY
R	34	57.11.4102	2K	2%	ANY
R	35	57.11.4102	2K	2%	ANY
R	36	57.11.4102	2K	2%	ANY
R	37	57.11.4102	2K	2%	ANY
R	38	57.11.4102	2K	2%	ANY
R	39	57.11.4102	2K	2%	ANY
R	40	57.11.4102	2K	2%	ANY
R	41	57.11.4102	2K	2%	ANY
R	42	57.11.4102	2K	2%	ANY
R	43	57.11.4102	2K	2%	ANY
R	44	57.11.4102	2K	2%	ANY
R	45	57.11.4102	2K	2%	ANY
R	46	57.11.4102	2K	2%	ANY
R	47	57.11.4102	2K	2%	ANY
R	48	57.11.4102	2K	2%	ANY
R	49	57.11.4102	2K	2%	ANY
R	50	57.11.4102	2K	2%	ANY
R	51	57.11.4102	2K	2%	ANY
R	52	57.11.4102	2K	2%	ANY
R	53	57.11.4102	2K	2%	ANY
R	54	57.11.4102	2K	2%	ANY
R	55	57.11.4102	2K	2%	ANY
R	56	57.11.4102	2K	2%	ANY
R	57	57.11.4102	2K	2%	ANY
R	58	57.11.4102	2K	2%	ANY
R	59	57.11.4102	2K	2%	ANY
R	60	57.11.4102	2K	2%	ANY
R	61	57.11.4102	2K	2%	ANY
R	62	57.11.4102	2K	2%	ANY
R	63	57.11.4102	2K	2%	ANY
R	64	57.11.4102	2K	2%	ANY
R	65	57.11.4102	2K	2%	ANY
R	66	57.11.4102	2K	2%	ANY
R	67	57.11.4102	2K	2%	ANY
R	68	57.11.4102	2K	2%	ANY
R	69	57.11.4102	2K	2%	ANY
R	70	57.11.4102	2K	2%	ANY
R	71	57.11.4102	2K	2%	ANY
R	72	57.11.4102	2K	2%	ANY
R	73	57.11.4102	2K	2%	ANY
R	74	57.11.4102	2K	2%	ANY
R	75	57.11.4102	2K	2%	ANY
R	76	57.11.4102	2K	2%	ANY
R	77	57.11.4102	2K	2%	ANY
R	78	57.11.4102	2K	2%	ANY
R	79	57.11.4102	2K	2%	ANY
R	80	57.11.4102	2K	2%	ANY
R	81	57.11.4102	2K	2%	ANY
R	82	57.11.4102	2K	2%	ANY
R	83	57.11.4102	2K	2%	ANY
R	84	57.11.4102	2K	2%	ANY
R	85	57.11.4102	2K	2%	ANY
R	86	57.11.4102	2K	2%	ANY
R	87	57.11.4102	2K	2%	ANY
R	88	57.11.4102	2K	2%	ANY
R	89	57.11.4102	2K	2%	ANY
R	90	57.11.4102	2K	2%	ANY
R	91	57.11.4102	2K	2%	ANY
R	92	57.11.4102	2K	2%	ANY
R	93	57.11.4102	2K	2%	ANY
R	94	57.11.4102	2K	2%	ANY
R	95	57.11.4102	2K	2%	ANY
R	96	57.11.4102	2K	2%	ANY
R	97	57.11.4102	2K	2%	ANY
R	98	57.11.4102	2K	2%	ANY
R	99	57.11.4102	2K	2%	ANY
R	100	57.11.4102	2K	2%	ANY
R	101	57.11.4102	2K	2%	ANY
R	102	57.11.4102	2K	2%	ANY
R	103	57.11.4102	2K	2%	ANY
R	104	57.11.4102	2K	2%	ANY
R	105	57.11.4102	2K	2%	ANY
R	106	57.11.4102	2K	2%	ANY
R	107	57.11.4102	2K	2%	ANY
R	108	57.11.4102	2K	2%	ANY
R	109	57.11.4102	2K	2%	ANY
R	110	57.11.4102	2K	2%	ANY
R	111	57.11.4102	2K	2%	ANY
R	112	57.11.4102	2K	2%	ANY
R	113	57.11.4102	2K	2%	ANY
R	114	57.11.4102	2K	2%	ANY
R	115	57.11.4102	2K	2%	ANY
R	116	57.11.4102	2K	2%	ANY
R	117	57.11.4102	2K	2%	ANY
R	118	57.11.4102	2K	2%	ANY
R	119	57.11.4102	2K	2%	ANY
R	120	57.11.4102	2K	2%	ANY
R	121	57.11.4102	2K	2%	ANY
R	122	57.11.4102	2K	2%	ANY
R	123	57.11.4102	2K	2%	ANY
R	124	57.11.4102	2K	2%	ANY
R	125	57.11.4102	2K	2%	ANY
R	126	57.11.4102	2K	2%	ANY
R	127	57.11.4102	2K	2%	ANY
R	128	57.11.4102	2K	2%	ANY
R	129	57.11.4102	2K	2%	ANY
R	130	57.11.4102	2K	2%	ANY
R	131	57.11.4102	2K	2%	ANY
R	132	57.11.4102	2K	2%	ANY
R	133	57.11.4102	2K	2%	ANY
R	134	57.11.4102	2K	2%	ANY
R	135	57.11.4102	2K	2%	ANY
R	136	57.11.4102	2K	2%	ANY
R	137	57.11.4102	2K	2%	ANY
R	138	57.11.4102	2K	2%	ANY
R	139	57.11.4102	2K	2%	ANY
R	140	57.11.4102	2K	2%	ANY
R	141	57.11.4102	2K	2%	ANY
R	142	57.11.4102	2K	2%	ANY
R	143	57.11.4102	2K	2%	ANY
R	144	57.11.4102	2K	2%	ANY
R	145	57.11.4102	2K	2%	ANY
R	146	57.11.4102	2K	2%	ANY
R	147	57.11.4102	2K	2%	ANY
R	148	57.11.4102	2K	2%	ANY
R	149	57.11.4102	2K	2%	ANY
R	150	57.11.4102	2K	2%	ANY
R	151	57.11.4102	2K	2%	ANY
R	152	57.11.4102	2K	2%	ANY
R	153	57.11.4102	2K	2%	ANY
R	154	57.11.4102	2K	2%	ANY
R	155	57.11.4102	2K	2%	ANY
R	156	57.11.4102	2K	2%	ANY
R	157	57.11.4102	2K	2%	ANY
R	158	57.11.4102	2K	2%	ANY
R	159	57.11.4102	2K	2%	ANY
R	160	57.11.4102	2K	2%	ANY
R	161	57.11.4102	2K	2%	ANY
R	162	57.11.4102	2K	2%	ANY
R	163	57.11.4102	2K	2%	ANY
R	164	57.11.4102	2K	2%	ANY
R	165	57.11.4102	2K	2%	ANY
R	166	57.11.4102	2K	2%	ANY
R	167	57.11.4102	2K	2%	ANY
R	168	57.11.4102	2K	2%	ANY
R	169	57.11.4102	2K	2%	ANY
R	170	57.11.4102	2K	2%	ANY
R	171	57.11.4102	2K	2%	ANY
R	172	57.11.4102	2K	2%	ANY
R	173	57.11.4102	2K	2%	ANY
R	174	57.11.4102	2K	2%	ANY
R	175	57.11.4102	2K	2%	ANY
R	176	57.11.4102	2K	2%	ANY
R	177	57.11.4102	2K	2%	ANY
R	178	57.11.4102	2K	2%	ANY
R	179	57.11.4102	2K	2%	ANY
R	180	57.11.4102	2K	2%	ANY
R	181	57.11.4102	2K	2%	ANY
R	182	57.11.4102	2K	2%	ANY
R	183	57.11.4102	2K	2%	ANY
R	184	57.11.4102	2K	2%	ANY

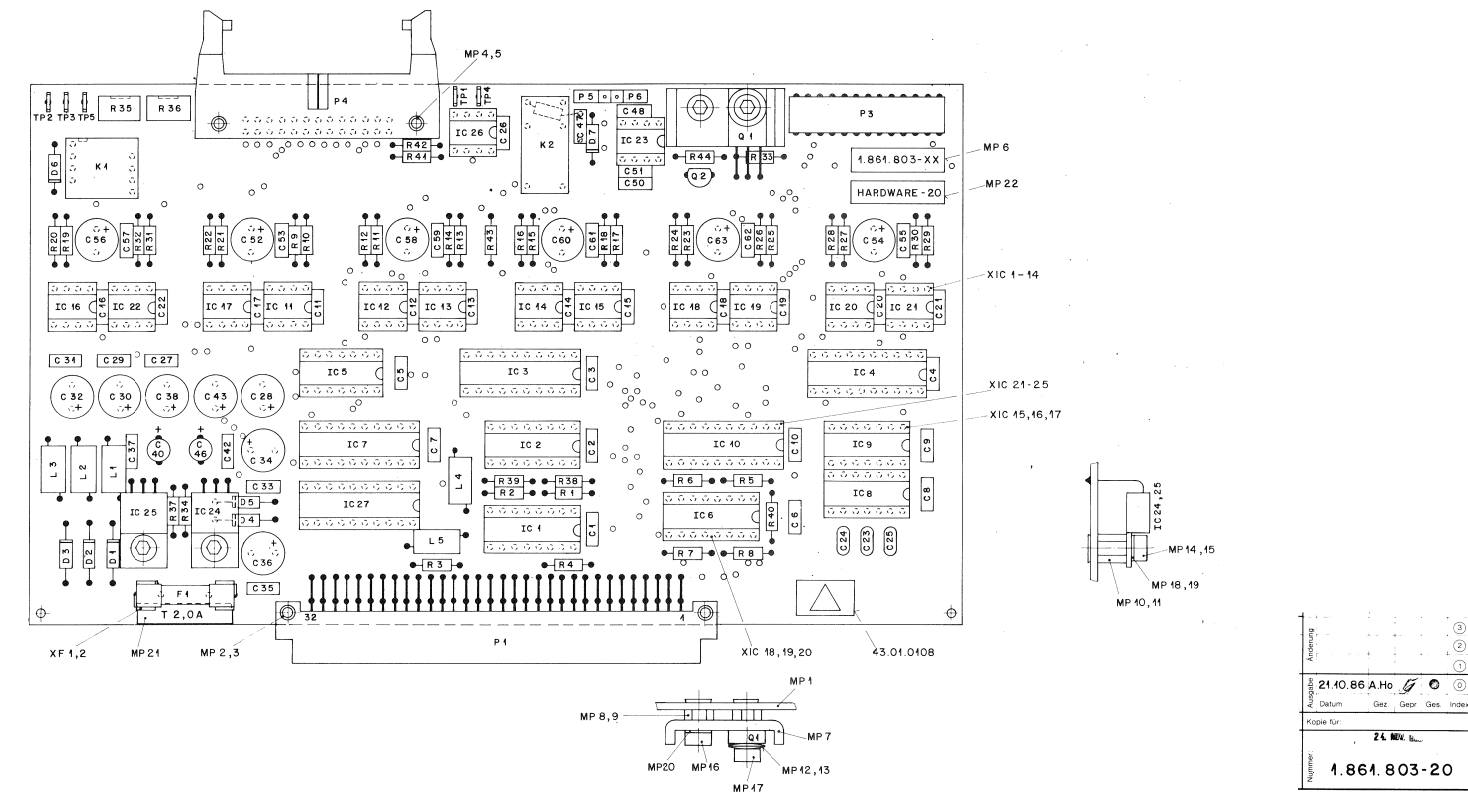


30 4 — PAGE 50

140186 San	240386 Sam	D820X	1 OF 2
STUDER		WRITE - AMPLIFIER	1.861.803

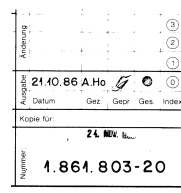


015-D1.86	San	24.03.86	San	0	PAGE 2 OF 2
STUDER				WRITE-AMPLIFIER				1.861.803



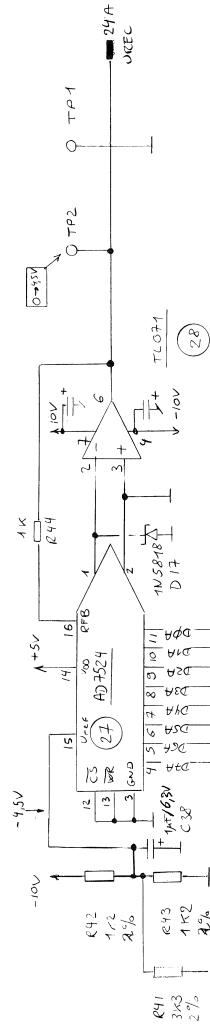
IND.	POS.-NO.	PART NO.	VALUE	SPECIFICATIONS / EQUIVALENT	MANUF.	IND.	POS.-NO.	PART NO.	VALUE	SPECIFICATIONS / EQUIVALENT	MANUF.
C++001	59.99.0205	68n	501a	CER	ANY	C++008	59.22.5670	47u	501a	20V, ELECTROLYTIC	ANY
C++002	59.99.0205	68n	501a	CER	ANY	C++009	59.22.8109	1u	501a	20V, ELECTROLYTIC	ANY
C++003	59.99.0205	68n	501a	CER	ANY	C++010	59.99.0205	68n	501a	20V, CER	ANY
C++004	59.99.0205	68n	501a	CER	ANY	C++011	59.22.8109	1u	501a	20V, ELECTROLYTIC	ANY
C++005	59.99.0205	68n	501a	CER	ANY	C++012	59.99.0205	68n	501a	20V, CER	ANY
C++006	59.99.0205	68n	501a	CER	ANY	C++013	59.99.0205	68n	501a	20V, CER	ANY
C++007	59.99.0205	68n	501a	CER	ANY	C++014	59.99.0205	68n	501a	20V, CER	ANY
C++008	59.99.0205	68n	501a	CER	ANY	C++015	59.99.0205	68n	501a	20V, CER	ANY
C++009	59.99.0205	68n	501a	CER	ANY	C++016	59.99.0205	68n	501a	20V, CER	ANY
C++010	59.99.0205	68n	501a	CER	ANY	C++017	59.99.0205	68n	501a	20V, CER	ANY
C++011	59.99.0205	68n	501a	CER	ANY	C++018	59.99.0205	68n	501a	20V, CER	ANY
C++012	59.99.0205	68n	501a	CER	ANY	C++019	59.99.0205	68n	501a	20V, CER	ANY
C++013	59.99.0205	68n	501a	CER	ANY	C++020	59.99.0205	68n	501a	20V, CER	ANY
C++014	59.99.0205	68n	501a	CER	ANY	C++021	59.99.0205	68n	501a	20V, CER	ANY
C++015	59.99.0205	68n	501a	CER	ANY	C++022	59.99.0205	68n	501a	20V, CER	ANY
C++016	59.99.0205	68n	501a	CER	ANY	C++023	59.12.1222	22n	20V, 20V, CER	ANY	
C++017	59.99.0205	68n	501a	CER	ANY	C++024	59.12.1222	47n	20V, 20V, CER	ANY	
C++018	59.99.0205	68n	501a	CER	ANY	C++025	59.99.0205	68n	501a	20V, CER	ANY
C++019	59.99.0205	68n	501a	CER	ANY	C++026	59.99.0205	68n	501a	20V, CER	ANY
C++020	59.99.0205	68n	501a	CER	ANY	C++027	59.99.0205	68n	501a	20V, CER	ANY
C++021	59.99.0205	68n	501a	CER	ANY	C++028	59.22.1470	47u	501a	20V, ELECTROLYTIC	ANY
C++022	59.99.0205	68n	501a	CER	ANY	C++029	59.99.0205	68n	501a	20V, CER	ANY
C++023	59.99.0205	68n	501a	CER	ANY	C++030	59.22.1470	47u	501a	20V, ELECTROLYTIC	ANY
C++024	59.99.0205	68n	501a	CER	ANY	C++031	59.99.0205	68n	501a	20V, CER	ANY
C++025	59.99.0205	68n	501a	CER	ANY	C++032	59.22.1470	47u	501a	20V, ELECTROLYTIC	ANY
C++026	59.99.0205	68n	501a	CER	ANY	C++033	59.99.0205	68n	501a	20V, CER	ANY
C++027	59.99.0205	68n	501a	CER	ANY	C++034	59.22.1470	47u	501a	20V, ELECTROLYTIC	ANY
C++028	59.22.1470	47u	501a	20V, ELECTROLYTIC	ANY	C++035	59.99.0205	68n	501a	20V, CER	ANY
C++029	59.99.0205	68n	501a	20V, CER	ANY	C++036	59.22.1470	47u	501a	20V, ELECTROLYTIC	ANY
C++030	59.22.1470	47u	501a	20V, ELECTROLYTIC	ANY	C++037	59.99.0205	68n	501a	20V, CER	ANY
C++031	59.99.0205	68n	501a	20V, CER	ANY	C++038	59.22.1470	47u	501a	20V, ELECTROLYTIC	ANY
C++032	59.22.1470	47u	501a	20V, ELECTROLYTIC	ANY	C++039	59.99.0205	68n	501a	20V, CER	ANY
C++033	59.99.0205	68n	501a	20V, CER	ANY	C++040	59.22.1470	47u	501a	20V, ELECTROLYTIC	ANY
C++034	59.22.1470	47u	501a	20V, ELECTROLYTIC	ANY	C++041	59.99.0205	68n	501a	20V, CER	ANY
C++035	59.99.0205	68n	501a	20V, CER	ANY	C++042	59.22.1470	47u	501a	20V, ELECTROLYTIC	ANY
C++036	59.22.1470	47u	501a	20V, ELECTROLYTIC	ANY	C++043	59.99.0205	68n	501a	20V, CER	ANY
C++037	59.99.0205	68n	501a	20V, CER	ANY	C++044	59.22.1470	47u	501a	20V, ELECTROLYTIC	ANY
C++038	59.22.1470	47u	501a	20V, ELECTROLYTIC	ANY	C++045	59.99.0205	68n	501a	20V, CER	ANY
C++039	59.99.0205	68n	501a	20V, CER	ANY	C++046	59.22.1470	47u	501a	20V, ELECTROLYTIC	ANY
C++040	59.22.1470	47u	501a	20V, ELECTROLYTIC	ANY	C++047	59.99.0205	68n	501a	20V, CER	ANY

IND.	POS.-NO.	PART NO.	VALUE	SPECIFICATIONS / EQUIVALENT	MANUF.
MP++06	1.861.803-01	1	PCS	NAME PLATE	SE
MP++07	1.861.803-02	1	PCS	HEATSINK W/D THREAD	SE
MP++08	1.010-D12-22	1	PCS	STAND-OFF RIVETING TYPE, M3x2	SE
MP++09	1.010-D12-22	1	PCS	STAND-OFF RIVETING TYPE, M3x2	SE
MP++10	1.010-D12-22	1	PCS	STAND-OFF RIVETING TYPE, M3x4,5	SE
MP++11	1.010-D12-22	1	PCS	STAND-OFF RIVETING TYPE, M3x4,5	SE
MP++12	37-01-0101	1	PCS	SPRING WASHER, D=3mm	ANY
MP++13	37-01-0101	1	PCS	SPRING WASHER, D=3mm	ANY
MP++14	21.53-0354	1	PCS	SCREW, CYLIND-HEAD, M3x6	ANY
MP++15	21.53-0354	1	PCS	SCREW, CYLIND-HEAD, M3x6	ANY
MP++16	21.53-0355	1	PCS	SCREW, CYLIND-HEAD, M3x8	ANY
MP++17	21.53-0355	1	PCS	SCREW, CYLIND-HEAD, M3x8	ANY
MP++18	24.16-0030	1	PCS	MASHER BENDID, 3-2	ANY
MP++19	24.16-0030	1	PCS	MASHER BENDID, 3-2	ANY
MP++20	24.16-0030	1	PCS	MASHER BENDID, 3-2	ANY
MP++21	1.010-118-25	1	PCS	LABEL "FUSE T2.0A"	SE
MP++22	1.01.001.25	1	PCS	LABEL "HARDWARE-VERSION -00"	SE
F++001	54.01-0365	1	PCS	LEAD CONNECTOR, 25-32 BURE SOLDERING	ANY
F++002	54.01-0365	1	PCS	LEAD CONNECTOR, 25-32 BURE SOLDERING	ANY
F++003	54.01-0365	1	PCS	LEAD CONNECTOR, 25-32 BURE SOLDERING	ANY
F++004	54.01-0365	1	PCS	LEAD CONNECTOR, 25-32 BURE SOLDERING	ANY
F++005	54.01-0365	1	PCS	LEAD CONNECTOR, 25-32 BURE SOLDERING	ANY
F++006	54.01-0365	1	PCS	LEAD CONNECTOR, 25-32 BURE SOLDERING	ANY
F++007	54.01-0365	1	PCS	LEAD CONNECTOR, 25-32 BURE SOLDERING	ANY
G++001	50.03-0445	BD	I77-10	ANY	ANY
G++002	50.03-0445	BC	337-25	ANY	ANY
R++001	57.11-1151	150	2Z	ANY	ANY
R++002	57.11-1151	150	2Z	ANY	ANY
R++003	57.11-1151	150	2Z	ANY	ANY
R++004	57.11-1151	150	2Z	ANY	ANY
R++005	57.11-1151	150	2Z	ANY	ANY
R++006	57.11-1151	150	2Z	ANY	ANY
R++007	57.11-1151	150	2Z	ANY	ANY
R++008	57.11-1151	150	2Z	ANY	ANY
R++009	57.11-1101	100	1Z	ANY	ANY
R++010	57.11-1101	100	1Z	ANY	ANY
R++011	57.11-1101	100	1Z	ANY	ANY
R++012	57.11-1101	100	1Z	ANY	ANY
R++013	57.11-1101	100	1Z	ANY	ANY
R++014	57.11-1101	100	1Z	ANY	ANY
R++015	57.11-1101	100	1Z	ANY	ANY
R++016	57.11-1101	100	1Z	ANY	ANY
R++017	57.11-1101	100	1Z	ANY	ANY
R++018	57.11-1101	100	1Z	ANY	ANY
R++019	57.11-1101	100	1Z	ANY	ANY
R++020	57.11-1101	100	1Z	ANY	ANY
R++021	57.11-1101	100	1Z	ANY	ANY
R++022	57.11-1101	100	1Z	ANY	ANY
R++023	57.11-1101	100	1Z	ANY	ANY
R++024	57.11-1101	100	1Z	ANY	ANY
R++025	57.11-1101	100	1Z	ANY	ANY
R++026	57.11-1101	100	1Z	ANY	ANY
R++027	57.11-1101	100	1Z	ANY	ANY
R++028	57.11-1101	100	1Z	ANY	ANY
R++029	57.11-1101	100	1Z	ANY	ANY
R++030	57.11-1101	100	1Z	ANY	ANY
R++031	57.11-1101	100	1Z	ANY	ANY
R++032	57.11-1101	100	1Z	ANY	ANY
R++033	57.11-1131	130	2Z	ANY	ANY
R++034	58.03-0104	240	2Z	ANY	ANY
R++035	58.03-0104	240	2Z	ANY	ANY
R++036	58.03-0104	240	2Z	ANY	ANY
R++037	57.11-1241	240	2Z	ANY	ANY
R++038	57.11-1241	240	2Z	ANY	ANY
R++039	57.11-1241	240	2Z	ANY	ANY
R++040	57.11-1241	240	2Z	ANY	ANY
R++041	57.11-1102	1K	2Z	ANY	ANY
R++042	57.11-1102	1K	2Z	ANY	ANY
R++043	57.11-1101	100	1Z	ANY	ANY
R++044	57.11-1101	100	1Z	ANY	ANY
TP++01	54.02-0320	1	TESTPOINT	ANY	ANY
S T J D E R (20)	86/03/21	5h	WRITE AMPLIFIER	1.861.803.00	PAGE 5

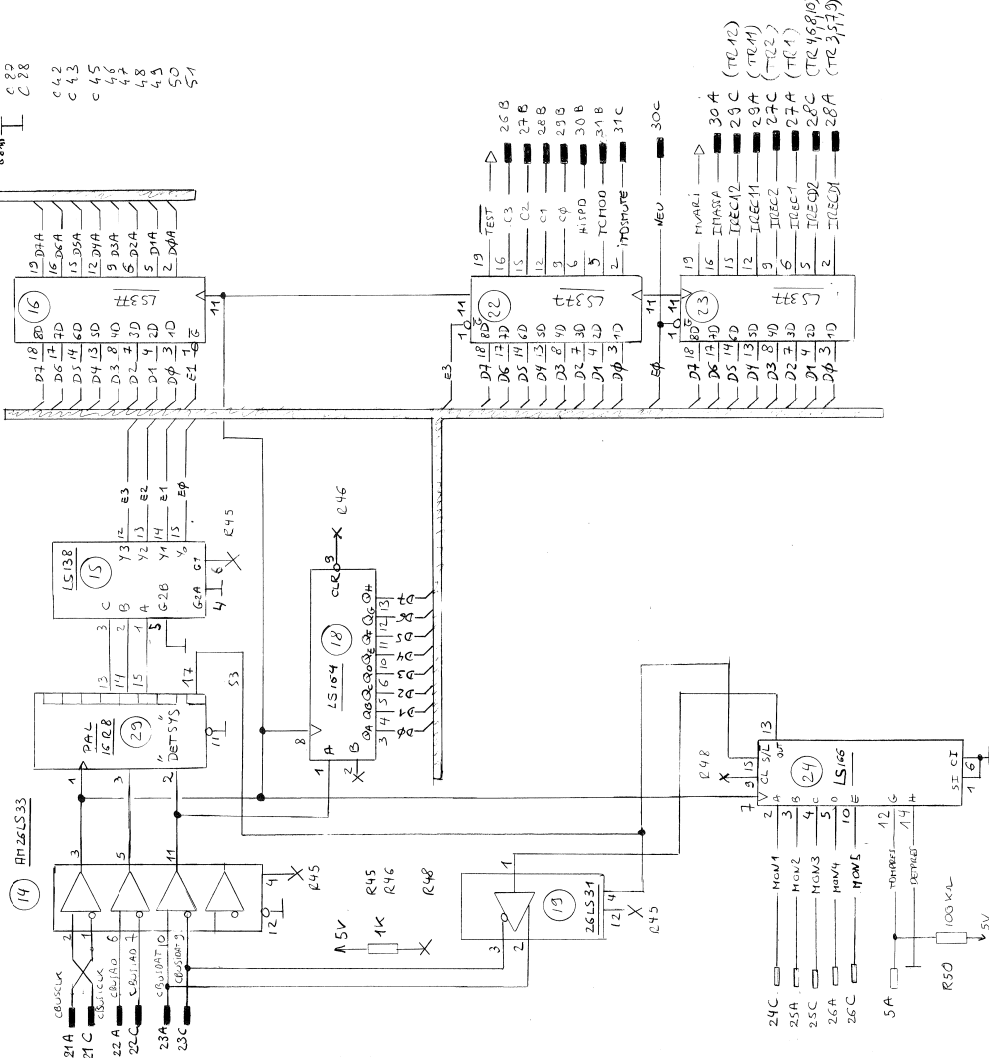


IND.	POS.-NO.	PART NO.	VALUE	SPECIFICATIONS / EQUIVALENT	MANUF.
TP++02	54.02-0320	1	TESTPOINT	ANY	ANY
TP++03	54.02-0320	1	TESTPOINT	ANY	ANY
TP++04	54.02-0320	1	TESTPOINT	ANY	ANY
TP++05	54.02-0320	1	TESTPOINT	ANY	ANY
XF++01	53.03-0142	1	CLAMP	ANY	ANY
XF++02	53.03-0142	1	CLAMP	ANY	ANY
XIC++01	53.03-0166	1	B-PIN	ANY	ANY
XIC++02	53.03-0166	1	B-PIN	ANY	ANY
XIC++03	53.03-0166	1	B-PIN	ANY	ANY
XIC++04	53.03-0166	1	B-PIN	ANY	ANY
XIC++05	53.03-0166	1	B-PIN	ANY	ANY
XIC++06	53.03-0166	1	B-PIN	ANY	ANY
XIC++07	53.03-0166	1	B-PIN	ANY	ANY
XIC++08	53.03-0166	1	B-PIN	ANY	ANY
XIC++09	53.03-0166	1	B-PIN	ANY	ANY
XIC++10	53.03-0166	1	B-PIN	ANY	ANY
XIC++11	53.03-0166	1	B-PIN	ANY	ANY
XIC++12	53.03-0166	1	B-PIN	ANY	ANY
XIC++13	53.03-0166	1	B-PIN	ANY	ANY
XIC++14	53.03-0166	1	B-PIN	ANY	ANY
XIC++15	53.03-0166	1	B-PIN	ANY	ANY
XIC++16	53.03-0166	1	B-PIN	ANY	ANY
XIC++17	53.03-0167	1	B-PIN	ANY	ANY
XIC++18	53.03-0167	1	B-PIN	ANY	ANY
XIC++19	53.03-0167	1	B-PIN	ANY	ANY
XIC++20	53.03-0167	1	B-PIN	ANY	ANY
XIC++21	53.03-0168	1	B-PIN	ANY	ANY
XIC++22	53.03-0168	1	B-PIN	ANY	ANY
XIC++23	53.03-0168	1	B-PIN	ANY	ANY
XIC++24	53.03-0168	1	B-PIN	ANY	ANY
XIC++25	53.03-0165	1	B-PIN	ANY	ANY
XIC++26	53.03-0165	1	B-PIN	ANY	ANY
XIC++27	53.03-0165	1	B-PIN	ANY	ANY
XIC++28	53.03-0165	1	B-PIN	ANY	ANY
XIC++29	53.03-0165	1	B-PIN	ANY	ANY
XIC++30	53.03-0165	1	B-PIN	ANY	ANY
XIC++31	53.03-0165	1	B-PIN	ANY	ANY
XIC++32	53.03-0165	1	B-PIN	ANY	ANY
XIC++33	53.03-0165	1	B-PIN	ANY	ANY
XIC++34	53.03-0165	1	B-PIN	ANY	ANY
XIC++35	53.03-0165	1	B-PIN	ANY	ANY
XIC++36	53.03-0165	1	B-PIN	ANY	ANY
XIC++37	53.03-0165	1	B-PIN	ANY	ANY
XIC++38	53.03-0165	1	B-PIN	ANY	ANY
XIC++39	53.03-0165	1	B-PIN	ANY	ANY
XIC++40	53.03-0165	1	B-PIN	ANY	ANY
XIC++41					

DETECTOR 1.861.804.00 PAGE 2

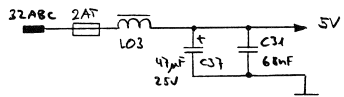
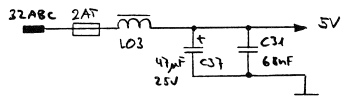
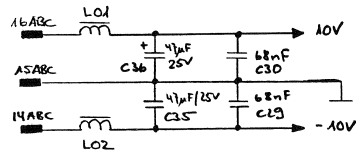
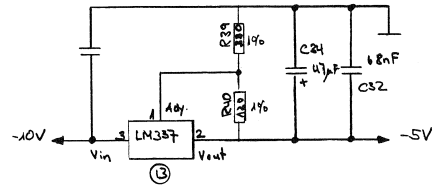


- 5V
- C25
- C26
- C28
- 642
- C43
- C45
- 46
- 47
- 48
- 43
- 50
- 51



0220185	000085	1.10.85	1.2.85	PAGE 2 OF 2
STUDER			2 CH PCM RECORDER / TWIN	
			DETECTOR / CBUS RECEIVE & TX	
			1.861.804.00	

DETECTOR 1.861.804.00 PAGE 3

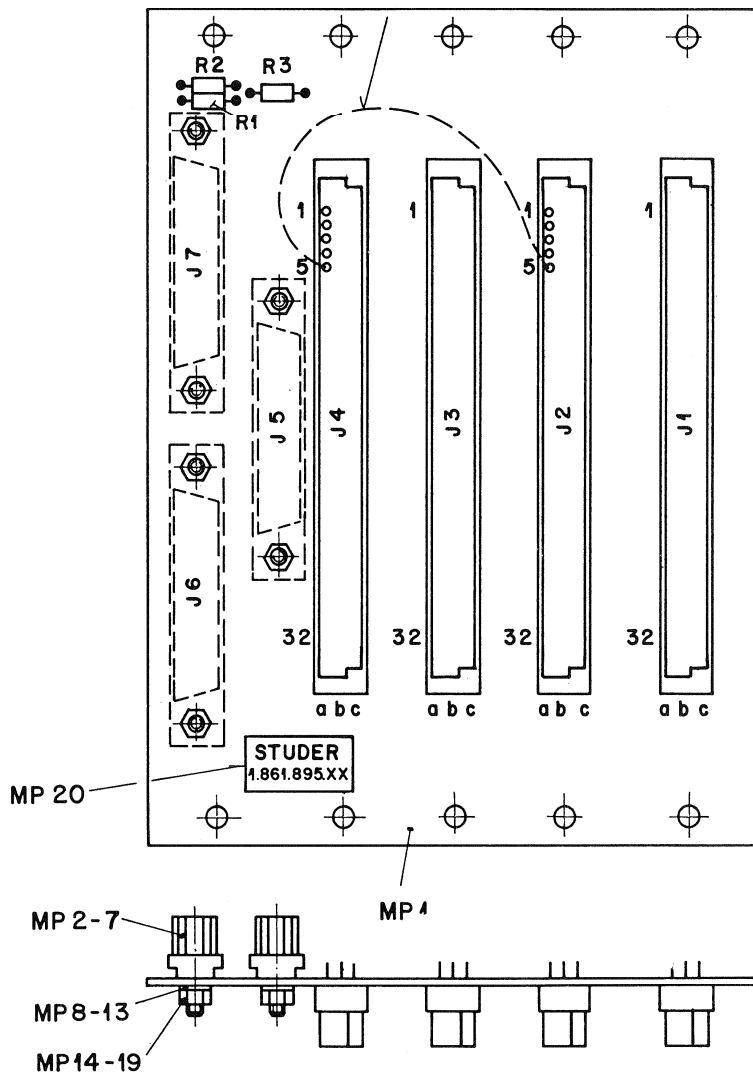


① 240686	12	○ ..	○ ..	○ ..	○ ..
STUDER			POWER SUPPLY DETECTOR		PAGE 1 OF 1
					1.861.804.00

BACKPANEL CAGE

1.861.895.00

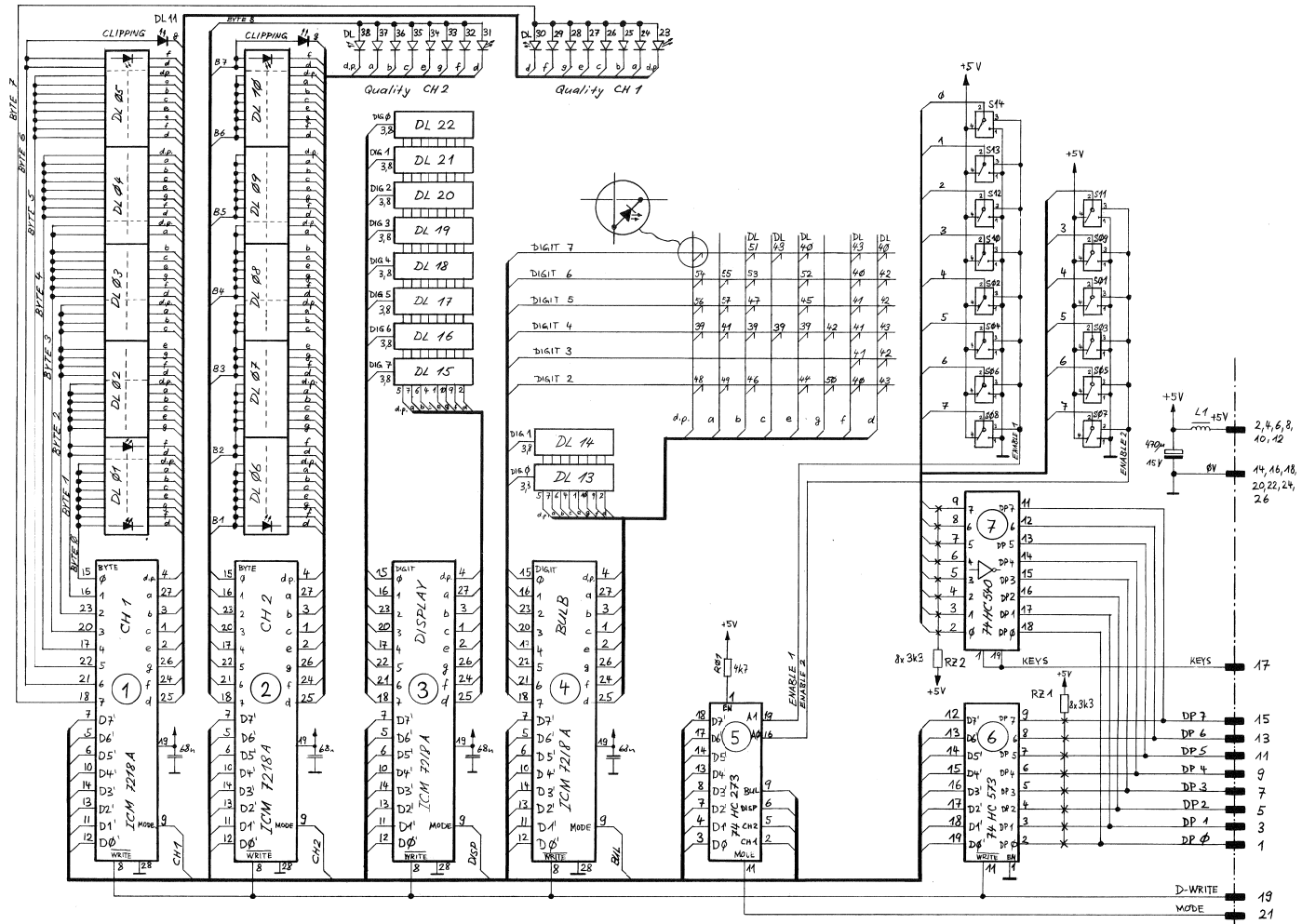
PAGE 1 (LAST)



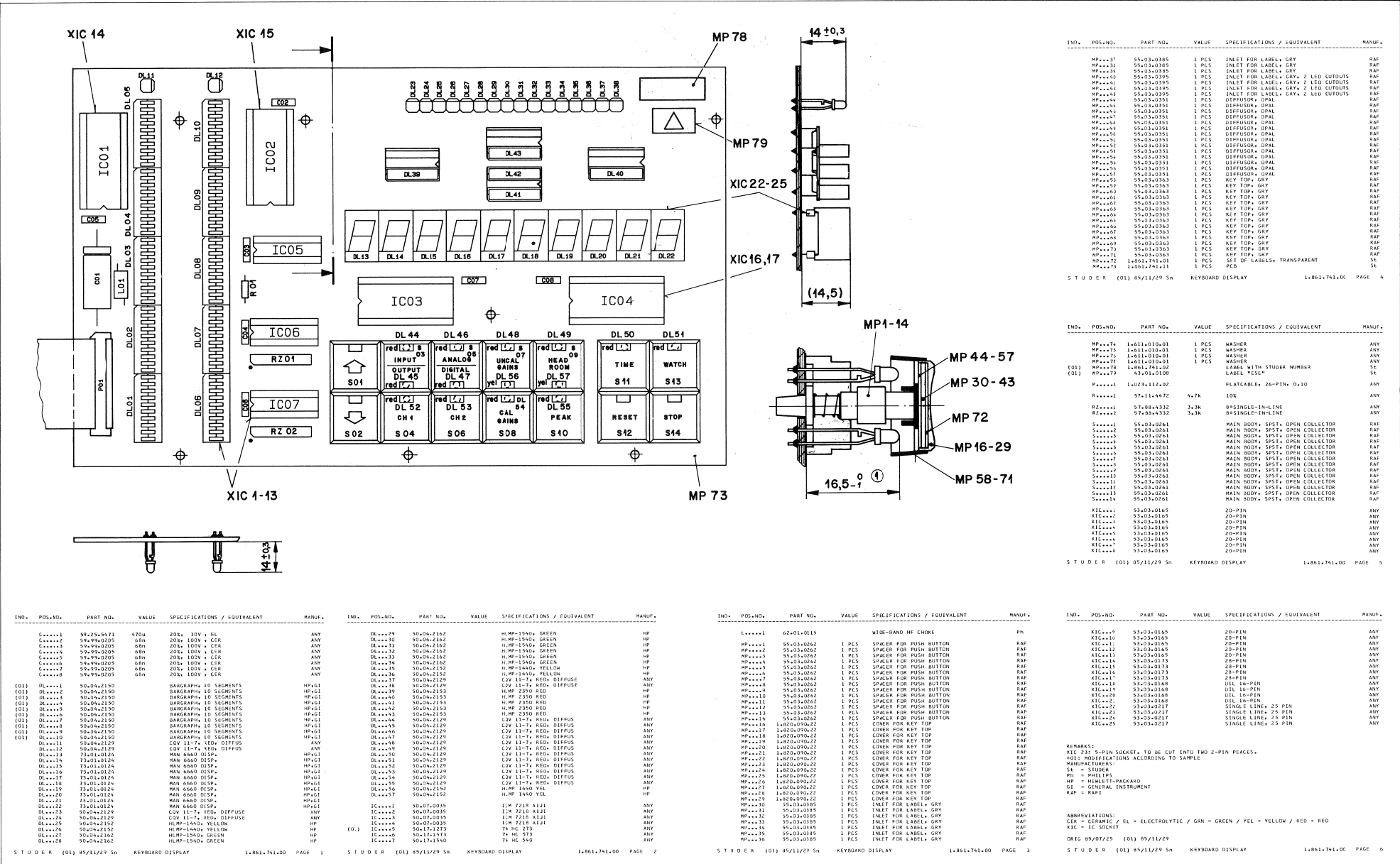
IND.	POS.NO.	PART NO.	VALUE	SPECIFICATIONS / EQUIVALENT	MANUF.	IND.	POS.NO.	PART NO.	VALUE	SPECIFICATIONS / EQUIVALENT	MANUF.
J.....1		54.11.2011		CONNECTOR 96-PIN ACTION PIN	AMP	REMARKS:					
J.....2		54.11.2011		CONNECTOR 96-PIN ACTION PIN	AMP	MANUFACTURERS:					
J.....3		54.11.2011		CONNECTOR 96-PIN ACTION PIN	AMP	St = STUDER					
J.....4		54.11.2011		CONNECTOR 96-PIN ACTION PIN	AMP	ABBREVIATIONS:					
J.....5		54.13.0043		D-SUB 25-PIN ACTION PIN	AMP	CER = CERAMIC / FILM = FILM TYPE / XF = CLAMP FOR FUSES /					
J.....6		54.13.0043		D-SUB 25-PIN ACTION PIN	AMP	XIC = IC SOCKET					
J.....7		54.13.0043		D-SUB 25-PIN ACTION PIN	AMP						
MP....1		1.861.895.11		PCB	St						
MP....2		1.010.032.54		STAND-OFF WITH THREAD, LOCKING TYPE	St						
MP....3		1.010.032.54		STAND-OFF WITH THREAD, LOCKING TYPE	St						
MP....4		1.010.032.54		STAND-OFF WITH THREAD, LOCKING TYPE	St						
MP....5		1.010.032.54		STAND-OFF WITH THREAD, LOCKING TYPE	St						
MP....6		1.010.032.54		STAND-OFF WITH THREAD, LOCKING TYPE	St						
MP....7		1.010.032.54		STAND-OFF WITH THREAD, LOCKING TYPE	St						
MP....8		24.16.1030		LOCK WASHER	ANY						
MP....9		24.16.1030		LOCK WASHER	ANY						
MP....10		24.16.1030		LOCK WASHER	ANY						
MP....11		24.16.1030		LOCK WASHER	ANY						
MP....12		24.16.1030		LOCK WASHER	ANY						
MP....13		24.16.1030		LOCK WASHER	ANY						
MP....14		22.01.8030		NUT, M3	ANY						
MP....15		22.01.8030		NUT, M3	ANY						
MP....16		22.01.8030		NUT, M3	ANY						
MP....17		22.01.8030		NUT, M3	ANY						
MP....18		22.01.8030		NUT, M3	ANY						
MP....19		22.01.8030		NUT, M3	ANY						
MP....20		1.861.895.01		LABEL WITH BOARD-NO.	St						
R.....1		57.11.4151	150	20%	ANY						
R.....2		57.11.4151	150	20%	ANY						
R.....3		57.11.4151	150	20%	ANY						
W.....1		1.010.113.64		WRAP-TYPE	St						

3. ASSEMBLY 3**PANELS**

CONTENS	SCHEMATIC NO.	SECTION/PAGE
BOARD LOCATION		3/2
KEYBOARD DISPLAY	1.861.741.00	3/3
DISPLAY PROCESSOR	1.861.742.00	3/5
CCP KEYBOARD	1.861.743.00	3/9
CCP TRANSCEIVER	1.861.744.00	3/9
MP KEYBOARD	1.861.745.00	3/13
MP AMPLIFIER	1.861.746.00	3/13



13.9.84 R.H. D820X
 STUDER
 1.861.741.00
 KEYBOARD DISPLAY
 12.5.88 R.S.
 PAGE 1 OF 1



IND.	POS.ND.	PART NO.	VALUE	SPECIFICATIONS / EQUIVALENT	MANUF.
MP...31	55.03.0385	1 PCS		INLET FOR LABEL GRV	RAF
MP...32	55.03.0385	1 PCS		INLET FOR LABEL GRV	RAF
MP...33	55.03.0385	1 PCS		INLET FOR LABEL GRV	RAF
MP...42	55.03.0395	1 PCS		INLET FOR LABEL GRV+ 2 LED CUTOFFS	RAF
MP...43	55.03.0395	1 PCS		INLET FOR LABEL GRV+ 2 LED CUTOFFS	RAF
MP...44	55.03.0395	1 PCS		INLET FOR LABEL GRV+ 2 LED CUTOFFS	RAF
MP...45	55.03.0351	1 PCS		DIFFUSOR DPAL	RAF
MP...46	55.03.0351	1 PCS		DIFFUSOR DPAL	RAF
MP...47	55.03.0351	1 PCS		DIFFUSOR DPAL	RAF
MP...48	55.03.0351	1 PCS		DIFFUSOR DPAL	RAF
MP...49	55.03.0351	1 PCS		DIFFUSOR DPAL	RAF
MP...50	55.03.0351	1 PCS		DIFFUSOR DPAL	RAF
MP...51	55.03.0351	1 PCS		DIFFUSOR DPAL	RAF
MP...52	55.03.0351	1 PCS		DIFFUSOR DPAL	RAF
MP...53	55.03.0351	1 PCS		DIFFUSOR DPAL	RAF
MP...54	55.03.0351	1 PCS		DIFFUSOR DPAL	RAF
MP...55	55.03.0351	1 PCS		DIFFUSOR DPAL	RAF
MP...56	55.03.0351	1 PCS		DIFFUSOR DPAL	RAF
MP...57	55.03.0351	1 PCS		DIFFUSOR DPAL	RAF
MP...58	55.03.0363	1 PCS		KEY TOP GRV	RAF
MP...59	55.03.0363	1 PCS		KEY TOP GRV	RAF
MP...60	55.03.0363	1 PCS		KEY TOP GRV	RAF
MP...61	55.03.0363	1 PCS		KEY TOP GRV	RAF
MP...62	55.03.0363	1 PCS		KEY TOP GRV	RAF
MP...63	55.03.0363	1 PCS		KEY TOP GRV	RAF
MP...64	55.03.0363	1 PCS		KEY TOP GRV	RAF
MP...65	55.03.0363	1 PCS		KEY TOP GRV	RAF
MP...66	55.03.0363	1 PCS		KEY TOP GRV	RAF
MP...67	55.03.0363	1 PCS		KEY TOP GRV	RAF
MP...68	55.03.0363	1 PCS		KEY TOP GRV	RAF
MP...69	55.03.0363	1 PCS		KEY TOP GRV	RAF
MP...70	55.03.0363	1 PCS		KEY TOP GRV	RAF
MP...71	55.03.0363	1 PCS		KEY TOP GRV	RAF
MP...72	1.861.741.001	1 PCS		SET OF LABELS+ TRANSPARENT	SA
MP...73	1.861.741.111	1 PCS		PCB	SA

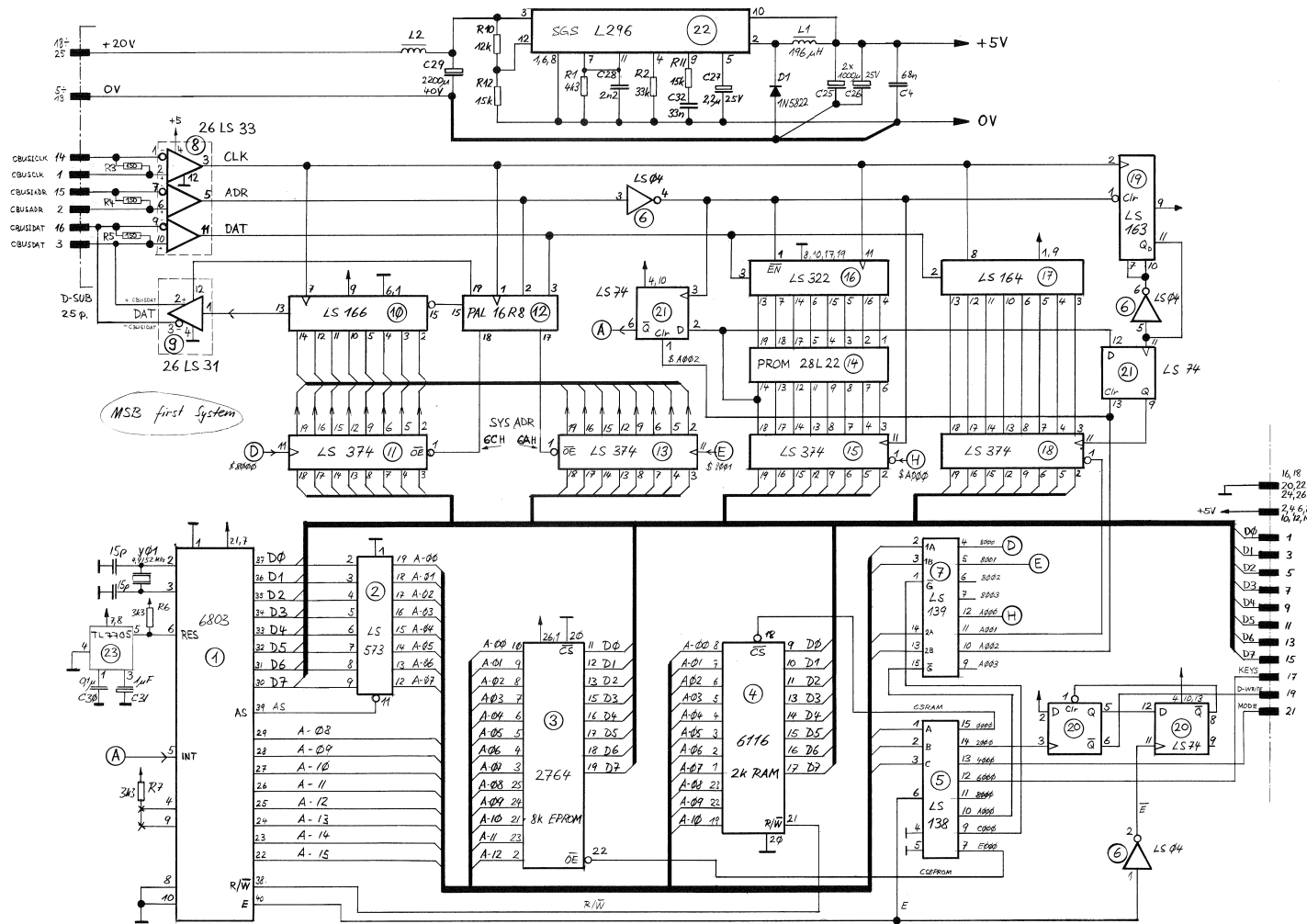
IND.	POS.ND.	PART NO.	VALUE	SPECIFICATIONS / EQUIVALENT	MANUF.
MP...74	1.611.010.01	1 PCS		WASHER	ANY
MP...75	1.611.010.01	1 PCS		WASHER	ANY
MP...76	1.611.010.01	1 PCS		WASHER	ANY
MP...77	1.611.010.01	1 PCS		WASHER	ANY
(01) MP...78	1.861.741.02	1 PCS		LABEL WITH STUDER NUMBER	SA
(01) MP...79	55.03.0108	1 PCS		LABEL "MEM"	SA
P...	1.025.112.02			FLEXIBLE 26-PIN D-10	ANY
R...	55.11.6472	4-7H		TOP	ANY
R...	55.08.4332	3-3M		R5 SINGLE-IN-LINE	ANY
R...	55.08.4332	3-3M		R5 SINGLE-IN-LINE	ANY
S...	55.03.0261			MAIN BODY SPST OPEN COLLECTOR	RAF
S...	55.03.0261			MAIN BODY SPST OPEN COLLECTOR	RAF
S...	55.03.0261			MAIN BODY SPST OPEN COLLECTOR	RAF
S...	55.03.0261			MAIN BODY SPST OPEN COLLECTOR	RAF
S...	55.03.0261			MAIN BODY SPST OPEN COLLECTOR	RAF
S...	55.03.0261			MAIN BODY SPST OPEN COLLECTOR	RAF
S...	55.03.0261			MAIN BODY SPST OPEN COLLECTOR	RAF
S...	55.03.0261			MAIN BODY SPST OPEN COLLECTOR	RAF
S...	55.03.0261			MAIN BODY SPST OPEN COLLECTOR	RAF
S...	55.03.0261			MAIN BODY SPST OPEN COLLECTOR	RAF
S...	55.03.0261			MAIN BODY SPST OPEN COLLECTOR	RAF
S...	55.03.0261			MAIN BODY SPST OPEN COLLECTOR	RAF
S...	55.03.0261			MAIN BODY SPST OPEN COLLECTOR	RAF
XI...	53.03.0165			20-PIN	ANY
XI...	53.03.0165			20-PIN	ANY
XI...	53.03.0165			20-PIN	ANY
XI...	53.03.0165			20-PIN	ANY
XI...	53.03.0165			20-PIN	ANY
XI...	53.03.0165			20-PIN	ANY
XI...	53.03.0165			20-PIN	ANY
XI...	53.03.0165			20-PIN	ANY
XI...	53.03.0165			20-PIN	ANY
XI...	53.03.0165			20-PIN	ANY
XI...	53.03.0165			20-PIN	ANY

IND.	POS.ND.	PART NO.	VALUE	SPECIFICATIONS / EQUIVALENT	MANUF.
I...	52.01.0115			MIS-BAND HF CHOKER	PH
MP...1	55.03.0262	1 PCS		SPACER FOR PUSH BUTTON	RAF
MP...2	55.03.0262	1 PCS		SPACER FOR PUSH BUTTON	RAF
MP...3	55.03.0262	1 PCS		SPACER FOR PUSH BUTTON	RAF
MP...4	55.03.0262	1 PCS		SPACER FOR PUSH BUTTON	RAF
MP...5	55.03.0262	1 PCS		SPACER FOR PUSH BUTTON	RAF
MP...6	55.03.0262	1 PCS		SPACER FOR PUSH BUTTON	RAF
MP...7	55.03.0262	1 PCS		SPACER FOR PUSH BUTTON	RAF
MP...8	55.03.0262	1 PCS		SPACER FOR PUSH BUTTON	RAF
MP...9	55.03.0262	1 PCS		SPACER FOR PUSH BUTTON	RAF
MP...10	55.03.0262	1 PCS		SPACER FOR PUSH BUTTON	RAF
MP...11	55.03.0262	1 PCS		SPACER FOR PUSH BUTTON	RAF
MP...12	55.03.0262	1 PCS		SPACER FOR PUSH BUTTON	RAF
MP...13	55.03.0262	1 PCS		SPACER FOR PUSH BUTTON	RAF
MP...14	55.03.0262	1 PCS		SPACER FOR PUSH BUTTON	RAF
MP...15	1.820.095.22	1 PCS		COVER FOR KEY TOP	RAF
MP...16	1.820.095.22	1 PCS		COVER FOR KEY TOP	RAF
MP...17	1.820.095.22	1 PCS		COVER FOR KEY TOP	RAF
MP...18	1.820.095.22	1 PCS		COVER FOR KEY TOP	RAF
MP...19	1.820.095.22	1 PCS		COVER FOR KEY TOP	RAF
MP...20	1.820.095.22	1 PCS		COVER FOR KEY TOP	RAF
MP...21	1.820.095.22	1 PCS		COVER FOR KEY TOP	RAF
MP...22	1.820.095.22	1 PCS		COVER FOR KEY TOP	RAF
MP...23	1.820.095.22	1 PCS		COVER FOR KEY TOP	RAF
MP...24	1.820.095.22	1 PCS		COVER FOR KEY TOP	RAF
MP...25	1.820.095.22	1 PCS		COVER FOR KEY TOP	RAF
MP...26	1.820.095.22	1 PCS		COVER FOR KEY TOP	RAF
MP...27	1.820.095.22	1 PCS		COVER FOR KEY TOP	RAF
MP...28	1.820.095.22	1 PCS		COVER FOR KEY TOP	RAF
MP...29	1.820.095.22	1 PCS		COVER FOR KEY TOP	RAF
MP...30	55.03.0385	1 PCS		INLET FOR LABEL GRV	RAF
MP...31	55.03.0385	1 PCS		INLET FOR LABEL GRV	RAF
MP...32	55.03.0385	1 PCS		INLET FOR LABEL GRV	RAF
MP...33	55.03.0385	1 PCS		INLET FOR LABEL GRV	RAF
MP...34	55.03.0385	1 PCS		INLET FOR LABEL GRV	RAF
MP...35	55.03.0385	1 PCS		INLET FOR LABEL GRV	RAF
MP...36	55.03.0385	1 PCS		INLET FOR LABEL GRV	RAF

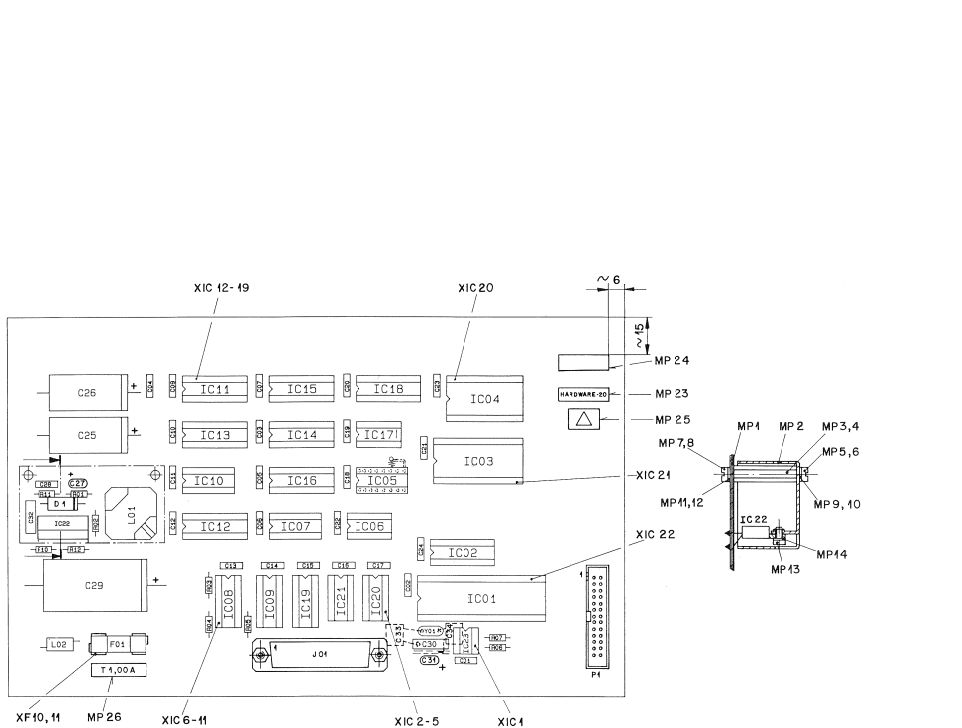
REMARKS:
 KIC 235 9-PIN SOCKET. TO BE CUT INTO TWO 2-PIN PEACES.
 DEL INDICATIONS ACCORDING TO SAMPLE MANUFACTURES.
 ST = STUDER
 PH = PHENOLIC
 MP = HELMET-PACKAGE
 GI = METAL INSTRUMENT
 RAF = RAPEL

ABBREVIATIONS:
 CER = CERAMIC / EL = ELECTROLYTIC / GRN = GREEN / YEL = YELLOW / RED = RED
 KIC = IC SOCKET

ORIG 85/07/25 (01) 85/11/29



1 3. 09. 84 R.14.
D 820 X
0 2. 06. 86 2a2
PAGE 1 OF 1
1.861.742-00
STUDER
DISPLAY PANEL (PROCESSOR)

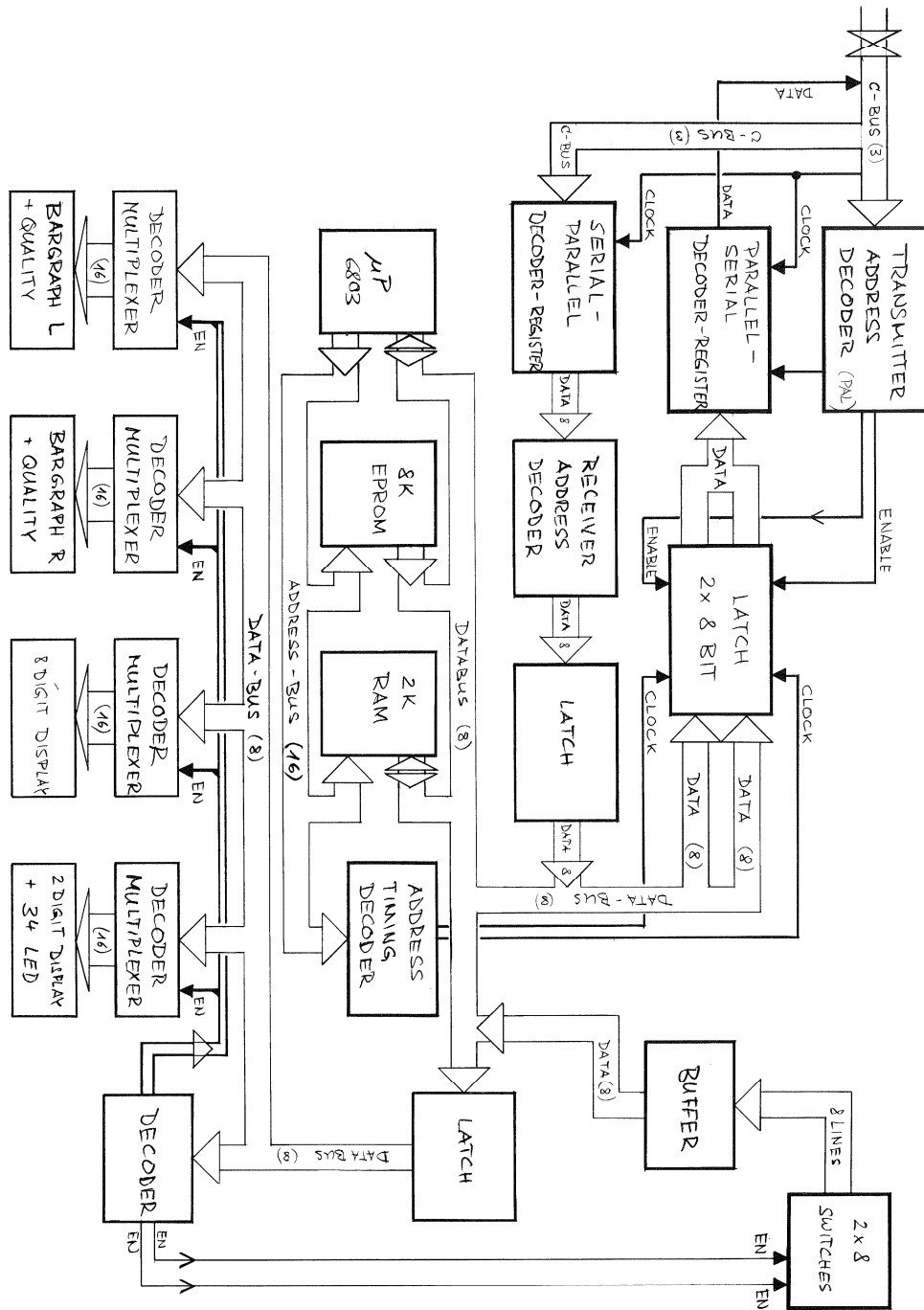


IND.	POS.ND.	PART NO.	VALUE	SPECIFICATIONS / EQUIVALENT	MANUF.
C****1		99-99-0205	68p	20% 50V CER	ANY
C****2		99-99-0205	68p	20% 50V CER	ANY
C****3		99-99-0205	68p	20% 50V CER	ANY
C****4		99-99-0205	68p	20% 50V CER	ANY
C****5		99-99-0205	68p	20% 50V CER	ANY
C****6		99-99-0205	68p	20% 50V CER	ANY
C****7		99-99-0205	68p	20% 50V CER	ANY
C****8		99-99-0205	68p	20% 50V CER	ANY
C****9		99-99-0205	68p	20% 50V CER	ANY
C****10		99-99-0205	68p	20% 50V CER	ANY
C****11		99-99-0205	68p	20% 50V CER	ANY
C****12		99-99-0205	68p	20% 50V CER	ANY
C****13		99-99-0205	68p	20% 50V CER	ANY
C****14		99-99-0205	68p	20% 50V CER	ANY
C****15		99-99-0205	68p	20% 50V CER	ANY
C****16		99-99-0205	68p	20% 50V CER	ANY
C****17		99-99-0205	68p	20% 50V CER	ANY
C****18		99-99-0205	68p	20% 50V CER	ANY
C****19		99-99-0205	68p	20% 50V CER	ANY
C****20		99-99-0205	68p	20% 50V CER	ANY
C****21		99-99-0205	68p	20% 50V CER	ANY
C****22		99-99-0205	68p	20% 50V CER	ANY
C****23		99-99-0205	68p	20% 50V CER	ANY
C****24		99-99-0205	68p	20% 50V CER	ANY
C****25		99-99-0102	1000u	20% 25V EL	ANY
C****26		99-25-4102	1000u	20% 25V EL	ANY
C****27		99-60-0079	2-2u	20% 60V SAL	ANY
C****28		99-06-0222	2-2u	20% 50V SAL	ANY
C****29		99-62-0222	2200u	20% 60V EL	ANY
C****30		99-02-0104	0-1u	20% 50V CER	ANY
C****31		99-62-0109	1u	20% 100V EL	ANY
C****32		99-02-0133	33n	20% 63V CER	ANY
C****33		99-34-1150	15p	20% 63V CER	ANY
C****34		99-34-1150	15p	20% 63V CER	ANY
D****1		50-04-0119		1N 5622	ANY
F****1		51-31-0117		51LN 9A04 1A	ANY

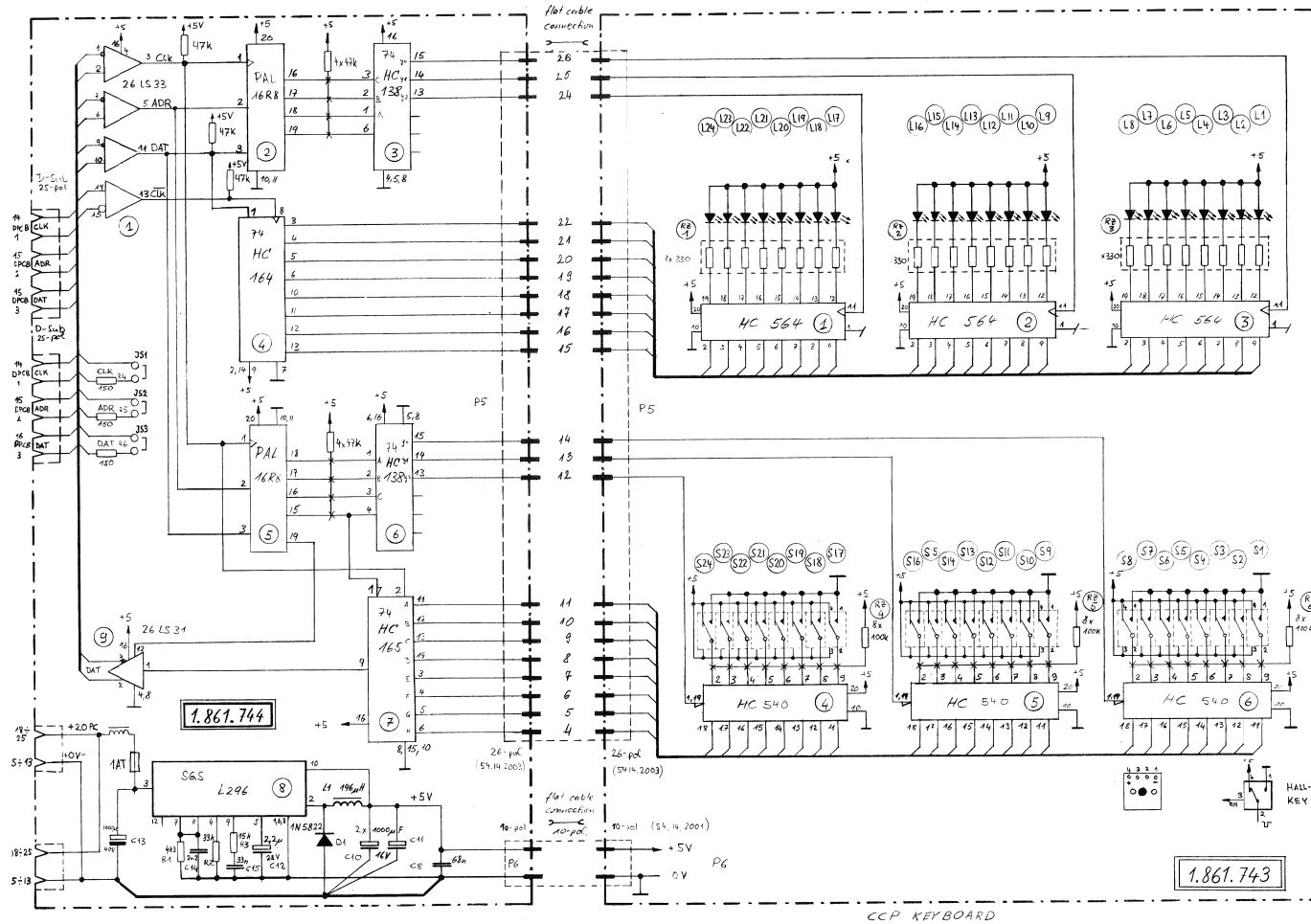
IND.	POS.ND.	PART NO.	VALUE	SPECIFICATIONS / EQUIVALENT	MANUF.
I****1		50-16-0107		MC 6803P-1	ANY
I****2		50-06-0073		74 LS 573	ANY
I****3		50-14-0113		D 276A-3	(186140120)
I****4		50-14-0107		HM 6116 EP-4	ANY
I****5		50-00-0018		74 LS 138	ANY
I****6		50-09-0004		74 LS 04	ANY
I****7		50-00-0010		74 LS 139	ANY
I****8		50-15-0109		AM 26 LS 33 PG	ANY
I****9		50-15-0108		AM 26 LS 31 PG	ANY
I****10		50-06-0166		74 LS 146	ANY
I****11		50-00-0014		74 LS 374	ANY
I****12		50-18-0012		PAL 16 R A-2 CN	(186140220)
I****13		50-15-0114		74 LS 374	(186140202)
I****14		50-14-0114		TSP 28122N	ANY
I****15		50-06-0016		74 LS 374	ANY
I****16		50-06-0222		74 LS 322	ANY
I****17		50-06-0013		74 LS 146	ANY
I****18		50-06-0074		74 LS 374	ANY
I****19		50-06-0013		74 LS 146	ANY
I****20		50-06-0074		74 LS 374	ANY
I****21		50-06-0014		74 LS 74	ANY
I****22		50-10-0110		L 79V VOLTAGE REGULATOR	SCS
I****23		50-11-0132		TL 79VS REG	ANY
J****1		54-13-0033		D-SUB CONNECTOR 25-PIN Fx VERTICAL	ANY
L****1		1-032-230-00		0-2mH FILTER COIL 5A	ANY
L****2		62-01-0115		WIDE-BAND HF-CHOKE	PH
MP****1		1-861-742-11		1 PCS PCB	5L
MP****2		1-861-742-01		1 PCS SHIELD	5L
MP****3		1-010-206-27		1 PCS STAND-OFF; M2-5x25mm	ANY
MP****4		1-010-206-27		1 PCS STAND-OFF; M2-5x25mm	ANY
MP****5		21-01-0078		1 PCS SCREW; M2-5x5mm	ANY
MP****6		21-01-0078		1 PCS SCREW; M2-5x5mm	ANY
MP****7		21-01-0078		1 PCS SCREW; M2-5x5mm	ANY
MP****8		21-01-0078		1 PCS SCREW; M2-5x5mm	ANY

IND.	POS.ND.	PART NO.	VALUE	SPECIFICATIONS / EQUIVALENT	MANUF.
MP****9		24-160-1025		1 PCS LOCK WASHER; M2x5	ANY
MP****10		24-160-1025		1 PCS LOCK WASHER; M2x5	ANY
MP****11		24-160-1025		1 PCS LOCK WASHER; M2x5	ANY
MP****12		24-160-1025		1 PCS LOCK WASHER; M2x5	ANY
MP****13		21-93-0354		1 PCS SCREW; M3x8mm	ANY
MP****14		24-160-1030		1 PCS LOCK WASHER; M3	ANY
MP****15		21-93-0354		1 PCS SCREW; M3x8	ANY
MP****16		21-93-0354		1 PCS SCREW; M3x8	ANY
MP****17		24-160-1030		1 PCS LOCK WASHER; M3	ANY
MP****18		24-160-1030		1 PCS LOCK WASHER; M3	ANY
MP****19		1-010-006-27		1 PCS STAND-OFF; M3x11	ANY
MP****20		1-010-006-27		1 PCS STAND-OFF; M3x11	ANY
MP****21		1-010-006-27		1 PCS STAND-OFF WITH THREAD; LOCKING TYPE	ANY
MP****22		1-010-006-27		1 PCS STAND-OFF WITH THREAD; LOCKING TYPE	ANY
MP****23		1-010-001-20		1 PCS TEST-LABEL; HARDWARE-ZO	5L
MP****24		1-010-001-20		1 PCS TEST-LABEL; NUMBER	5L
MP****25		43-01-0108		1 PCS EYE-WARNING LABEL	5L
MP****26		1-010-115-31		1 PCS TEST-LABEL; 1A	ANY
R****1		54-14-2003		FLAT CONNECTOR 20-PIN	ANY
R****2		57-11-4332		4-3h 5%	ANY
R****3		57-11-4333		33h 5%	ANY
R****4		57-11-4331		150 5%	ANY
R****5		57-11-4331		150 5%	ANY
R****6		57-11-4331		150 5%	ANY
R****7		57-11-4332		3-3h 5%	ANY
R****8		57-11-4332		3-3h 5%	ANY
R****9		57-11-4332		12h 5%	ANY
R****10		57-11-4332		12h 5%	ANY
R****11		57-11-4332		12h 5%	ANY
R****12		57-11-4333		15h 5%	ANY
X****1		89-01-0553		X-TAL; 4,9152MHz	ANY
XF****10		53-03-0142		CLAMP; 5x20mm	ANY
XF****11		53-03-0142		CLAMP; 5x20mm	ANY

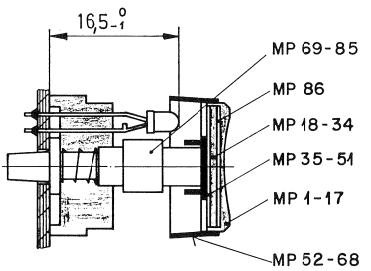
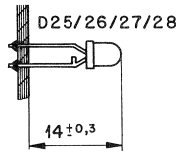
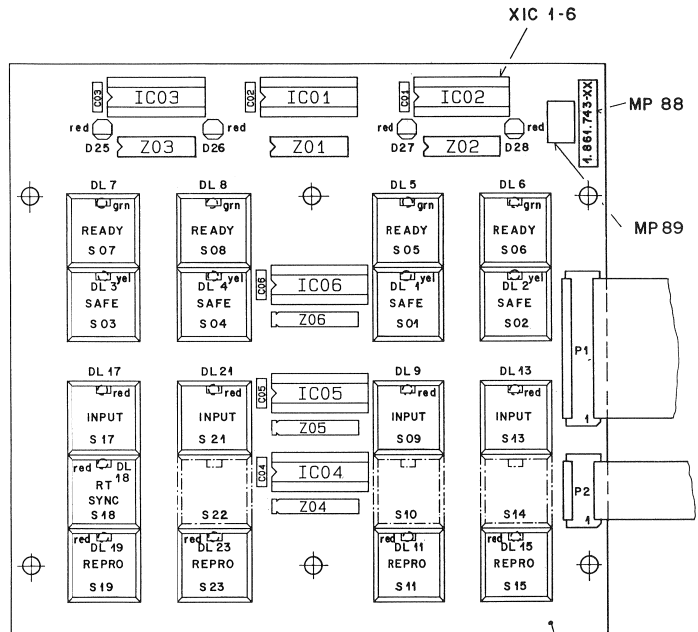
Arriving	<input type="checkbox"/>
Average	21.10.86
Datum	Get. Gepr. Get. Index
Kopie Nr:	
Number:	1.861.742-20



09.05.86	TR
D820X					PAGE OF
STUDER		DISPLAY PANEL (PROCESSOR + DISPLAY)			



15.1.85	A. Piccolomini	D 820X	4.3.85 Rev.
STUDER	CCP KEYBOARD	CCP TRANSCEIVER	A.861.743/744.00
			PAGE
			OF



9.8.86	29.11.85 A Ho	1.861.743-00
Kopie für: 74.1027		
Name: 1.861.743-00		

IND.	POS.ND.	PART NO.	VALUE	SPECIFICATIONS / EQUIVALENT	MANUF.
C....1	99.99.0209	68n	20W 63V CER	ANY	
C....2	99.99.0205	68n	20W 63V CER	ANY	
C....3	99.99.0205	68n	20W 63V CER	ANY	
C....4	99.99.0205	68n	20W 63V CER	ANY	
C....5	99.99.0205	68n	20W 63V CER	ANY	
C....6	99.99.0205	68n	20W 63V CER	ANY	
DL...1	50.04.2152		HLW-1440 YELLOW	HP	
DL...2	50.04.2152		HLW-1440 YELLOW	HP	
DL...3	50.04.2152		HLW-1440 YELLOW	HP	
DL...4	50.04.2152		HLW-1440 YELLOW	HP	
DL...5	50.04.2152		HLW-1440 GREEN	HP	
DL...6	50.04.2162		HLW-1440 GREEN	HP	
DL...7	50.04.2162		HLW-1440 GREEN	HP	
DL...8	50.04.2162		HLW-1440 GREEN	HP	
DL...9	50.04.2129		COV 11-7, RED, DIFFUS	ANY	
DL...10	50.04.2129		COV 11-7, RED, DIFFUS	ANY	
DL...11	50.04.2129		COV 11-7, RED, DIFFUS	ANY	
DL...12	50.04.2129		COV 11-7, RED, DIFFUS	ANY	
DL...13	50.04.2129		COV 11-7, RED, DIFFUS	ANY	
DL...14	50.04.2129		COV 11-7, RED, DIFFUS	ANY	
DL...15	50.04.2129		COV 11-7, RED, DIFFUS	ANY	
DL...16	50.04.2129		COV 11-7, RED, DIFFUS	ANY	
DL...17	50.04.2129		COV 11-7, RED, DIFFUS	ANY	
DL...18	50.04.2129		COV 11-7, RED, DIFFUS	ANY	
DL...19	50.04.2129		COV 11-7, RED, DIFFUS	ANY	
DL...20	50.04.2129		COV 11-7, RED, DIFFUS	ANY	
DL...21	50.04.2129		COV 11-7, RED, DIFFUS	ANY	
DL...22	50.04.2129		COV 11-7, RED, DIFFUS	ANY	
DL...23	50.04.2129		COV 11-7, RED, DIFFUS	ANY	
DL...24	50.04.2129		COV 11-7, RED, DIFFUS	ANY	
DL...25	50.04.2129		COV 11-7, RED, DIFFUS	ANY	
DL...26	50.04.2129		COV 11-7, RED, DIFFUS	ANY	
DL...27	50.04.2129		COV 11-7, RED, DIFFUS	ANY	
DL...28	50.04.2129		COV 11-7, RED, DIFFUS	ANY	
I....1	50.06.0564		7x 15 546	ANY	
I....2	50.06.0564		7x 15 546	ANY	
I....3	50.06.0564		7x 15 546	ANY	
I....4	50.06.0564		7x 15 546	ANY	
I....5	50.06.0564		7x 15 546	ANY	
I....6	50.06.0564		7x 15 546	ANY	
MP...1	1.820.090.22		1 PCS COVER FOR KEY TOP	RAF	

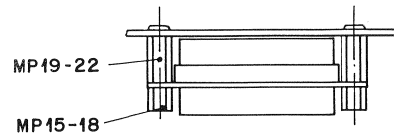
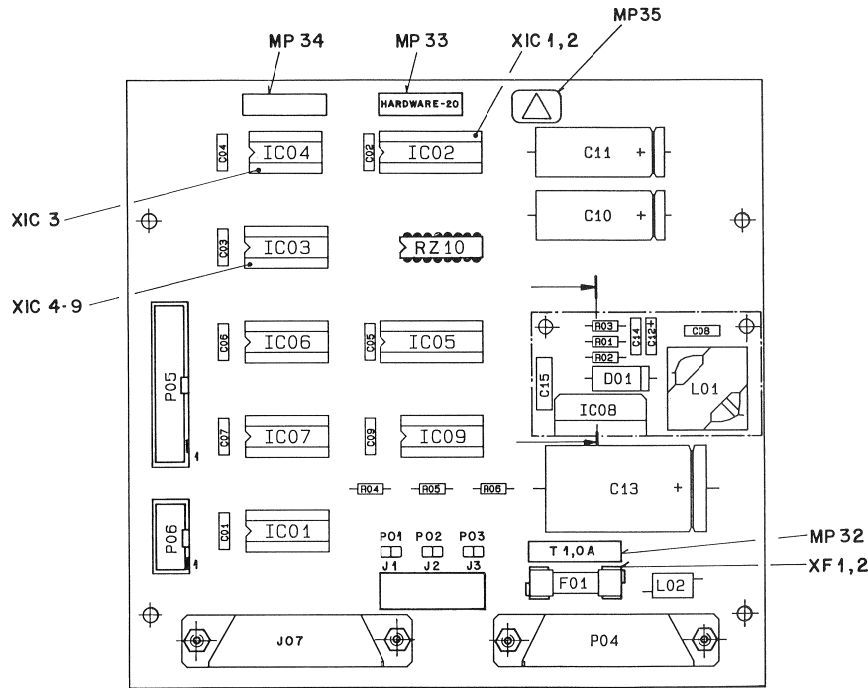
STUDER (02) 86/09/08 5h CCP KEYBOARD 1.861.743.00 PAGE 1

IND.	POS.ND.	PART NO.	VALUE	SPECIFICATIONS / EQUIVALENT	MANUF.
MP...2	1.820.090.22		1 PCS COVER FOR KEY TOP	RAF	
MP...3	1.820.090.22		1 PCS COVER FOR KEY TOP	RAF	
MP...4	1.820.090.22		1 PCS COVER FOR KEY TOP	RAF	
MP...5	1.820.090.22		1 PCS COVER FOR KEY TOP	RAF	
MP...6	1.820.090.22		1 PCS COVER FOR KEY TOP	RAF	
MP...7	1.820.090.22		1 PCS COVER FOR KEY TOP	RAF	
MP...8	1.820.090.22		1 PCS COVER FOR KEY TOP	RAF	
MP...9	1.820.090.22		1 PCS COVER FOR KEY TOP	RAF	
MP...10	1.820.090.22		1 PCS COVER FOR KEY TOP	RAF	
MP...11	1.820.090.22		1 PCS COVER FOR KEY TOP	RAF	
MP...12	1.820.090.22		1 PCS COVER FOR KEY TOP	RAF	
MP...13	1.820.090.22		1 PCS COVER FOR KEY TOP	RAF	
MP...14	1.820.090.22		1 PCS COVER FOR KEY TOP	RAF	
MP...15	1.820.090.22		1 PCS COVER FOR KEY TOP	RAF	
MP...16	1.820.090.22		1 PCS COVER FOR KEY TOP	RAF	
MP...17	1.820.090.22		1 PCS COVER FOR KEY TOP	RAF	
MP...18	55.03.0855		1 PCS INLET FOR LABEL GRV	RAF	
MP...19	55.03.0855		1 PCS INLET FOR LABEL GRV	RAF	
MP...20	55.03.0855		1 PCS INLET FOR LABEL GRV	RAF	
MP...21	55.03.0855		1 PCS INLET FOR LABEL GRV	RAF	
MP...22	55.03.0855		1 PCS INLET FOR LABEL GRV	RAF	
MP...23	55.03.0855		1 PCS INLET FOR LABEL GRV	RAF	
MP...24	55.03.0855		1 PCS INLET FOR LABEL GRV	RAF	
MP...25	55.03.0855		1 PCS INLET FOR LABEL GRV	RAF	
MP...26	55.03.0855		1 PCS INLET FOR LABEL GRV	RAF	
MP...27	55.03.0855		1 PCS INLET FOR LABEL GRV	RAF	
MP...28	55.03.0855		1 PCS INLET FOR LABEL GRV	RAF	
MP...29	55.03.0855		1 PCS INLET FOR LABEL GRV	RAF	
MP...30	55.03.0855		1 PCS INLET FOR LABEL GRV	RAF	
MP...31	55.03.0855		1 PCS INLET FOR LABEL GRV	RAF	
MP...32	55.03.0855		1 PCS INLET FOR LABEL GRV	RAF	
MP...33	55.03.0855		1 PCS INLET FOR LABEL GRV	RAF	
MP...34	55.03.0855		1 PCS INLET FOR LABEL GRV	RAF	
MP...35	55.03.0855		1 PCS INLET FOR LABEL GRV	RAF	
MP...36	55.03.0551		1 PCS DIFFUSOR DPAL	RAF	
MP...37	55.03.0551		1 PCS DIFFUSOR DPAL	RAF	
MP...38	55.03.0551		1 PCS DIFFUSOR DPAL	RAF	

STUDER (02) 86/09/08 5h CCP KEYBOARD 1.861.743.00 PAGE 2

IND.	POS.ND.	PART NO.	VALUE	SPECIFICATIONS / EQUIVALENT	MANUF.
MP...39	55.03.0551		1 PCS DIFFUSOR DPAL	RAF	
MP...40	55.03.0551		1 PCS DIFFUSOR DPAL	RAF	
MP...41	55.03.0551		1 PCS DIFFUSOR DPAL	RAF	
MP...42	55.03.0551		1 PCS DIFFUSOR DPAL	RAF	
MP...43	55.03.0551		1 PCS DIFFUSOR DPAL	RAF	
MP...44	55.03.0551		1 PCS DIFFUSOR DPAL	RAF	
MP...45	55.03.0551		1 PCS DIFFUSOR DPAL	RAF	
MP...46	55.03.0551		1 PCS DIFFUSOR DPAL	RAF	
MP...47	55.03.0551		1 PCS DIFFUSOR DPAL	RAF	
MP...48	55.03.0551		1 PCS DIFFUSOR DPAL	RAF	
MP...49	55.03.0551		1 PCS DIFFUSOR DPAL	RAF	
MP...50	55.03.0551		1 PCS DIFFUSOR DPAL	RAF	
MP...51	55.03.0551		1 PCS DIFFUSOR DPAL	RAF	
MP...52	55.03.0551		1 PCS DIFFUSOR DPAL	RAF	
MP...53	55.03.0551		1 PCS DIFFUSOR DPAL	RAF	
MP...54	55.03.0551		1 PCS DIFFUSOR DPAL	RAF	
MP...55	55.03.0551		1 PCS DIFFUSOR DPAL	RAF	
MP...56	55.03.0551		1 PCS DIFFUSOR DPAL	RAF	
MP...57	55.03.0551		1 PCS DIFFUSOR DPAL	RAF	
MP...58	55.03.0551		1 PCS DIFFUSOR DPAL	RAF	
MP...59	55.03.0551		1 PCS DIFFUSOR DPAL	RAF	
MP...60	55.03.0551		1 PCS DIFFUSOR DPAL	RAF	
MP...61	55.03.0551		1 PCS DIFFUSOR DPAL	RAF	
MP...62	55.03.0551		1 PCS DIFFUSOR DPAL	RAF	
MP...63	55.03.0551		1 PCS DIFFUSOR DPAL	RAF	
MP...64	55.03.0551		1 PCS DIFFUSOR DPAL	RAF	
MP...65	55.03.0551		1 PCS DIFFUSOR DPAL	RAF	
MP...66	55.03.0551		1 PCS DIFFUSOR DPAL	RAF	
MP...67	55.03.0551		1 PCS DIFFUSOR DPAL	RAF	
MP...68	55.03.0551		1 PCS DIFFUSOR DPAL	RAF	
MP...69	55.03.0551		1 PCS DIFFUSOR DPAL	RAF	
MP...70	55.03.0551		1 PCS DIFFUSOR DPAL	RAF	
MP...71	55.03.0551		1 PCS DIFFUSOR DPAL	RAF	
MP...72	55.03.0551		1 PCS DIFFUSOR DPAL	RAF	
MP...73	55.03.0551		1 PCS DIFFUSOR DPAL	RAF	
MP...74	55.03.0551		1 PCS DIFFUSOR DPAL	RAF	
MP...75	55.03.0551		1 PCS DIFFUSOR DPAL	RAF	

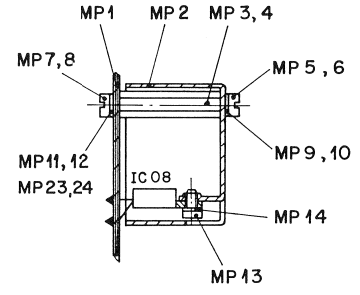
STUDER (02) 86/09/08 5h CCP KEYBOARD 1.861.743.00 PAGE 3



Antenna	7.10.86	7H	<input checked="" type="checkbox"/>	<input type="checkbox"/>	<input type="checkbox"/>	<input type="checkbox"/>
Aluminum	25.985	A.Ho	<input checked="" type="checkbox"/>	<input type="checkbox"/>	<input type="checkbox"/>	<input type="checkbox"/>
Claz			<input type="checkbox"/>	<input type="checkbox"/>	<input type="checkbox"/>	<input type="checkbox"/>
Geop			<input type="checkbox"/>	<input type="checkbox"/>	<input type="checkbox"/>	<input type="checkbox"/>
Desk			<input type="checkbox"/>	<input type="checkbox"/>	<input type="checkbox"/>	<input type="checkbox"/>
Index			<input type="checkbox"/>	<input type="checkbox"/>	<input type="checkbox"/>	<input type="checkbox"/>
Kopie für:						
24. NOV 1985						
1.861.744-20						

IND.	POS.ND.	PART NO.	VALUE	SPECIFICATIONS / EQUIVALENT	MANUF.
MP***1	1.861.744.11		1 PCS	PCB	SL
MP***2	1.861.744.01		1 PCS	SHIELD	SL
MP***3	1.010.204.27		1 PCS	STAND-OFF, M2,5x25mm	ANY
MP***4	1.010.204.27		1 PCS	STAND-OFF, M2,5x25mm	ANY
MP***5	21.01.0278		1 PCS	SCREW, M2,5x5mm	ANY
MP***6	21.01.0278		1 PCS	SCREW, M2,5x5mm	ANY
MP***7	21.01.0278		1 PCS	SCREW, M2,5x5mm	ANY
MP***8	21.01.0278		1 PCS	SCREW, M2,5x5mm	ANY
MP***9	24.16.1025		1 PCS	FIN WASHER, M2,5	ANY
MP***10	24.16.1025		1 PCS	FIN WASHER, M2,5	ANY
MP***11	24.16.1025		1 PCS	FIN WASHER, M2,5	ANY
MP***12	24.16.1025		1 PCS	FIN WASHER, M2,5	ANY
MP***13	21.51.0354		1 PCS	SCREW, M3x6mm	ANY
MP***14	24.16.1030		1 PCS	FIN WASHER, Ø1-3,2	ANY
MP***15	1.010.035.54		1 PCS	STAND-OFF WITH THREAD, LOCKING TYPE	SL
MP***16	1.010.035.54		1 PCS	STAND-OFF WITH THREAD, LOCKING TYPE	SL
MP***17	1.010.035.54		1 PCS	STAND-OFF WITH THREAD, LOCKING TYPE	SL
MP***18	1.010.035.54		1 PCS	STAND-OFF WITH THREAD, LOCKING TYPE	SL
MP***19	1.010.021.22		1 PCS	STAND-OFF, M3x10,5mm, RIVETING TYPE	SL
MP***20	1.010.021.22		1 PCS	STAND-OFF, M3x10,5mm, RIVETING TYPE	SL
MP***21	1.010.021.22		1 PCS	STAND-OFF, M3x10,5mm, RIVETING TYPE	SL
MP***22	1.010.021.22		1 PCS	STAND-OFF, M3x10,5mm, RIVETING TYPE	SL
MP***23	23.01.0207		1 PCS	WASHER, M2,5mm	ANY
MP***24	23.01.0207		1 PCS	WASHER, M2,5mm	ANY
MP***25	21.53.0354		1 PCS	SCREW, FLK-TYPE, M3x6mm	ANY
MP***26	23.01.0207		1 PCS	SCREW CYCLIN, HEAD M3x6mm	SL
MP***27	1.030.115.51		1 PCS	FUSE-LABEL, JA	SL
MP***28	1.010.001.20		1 PCS	LABEL, MARKING-SD	SL
MP***29	1.861.744.01		1 PCS	STUDER NUMBER LABEL	SL
MP***30	1.861.744.01		1 PCS	LABEL, "MS"	SL

S T U D E R (20) 86/09/08 01 CCP TRANSCEIVER 1.861.744.00 PAGE 2



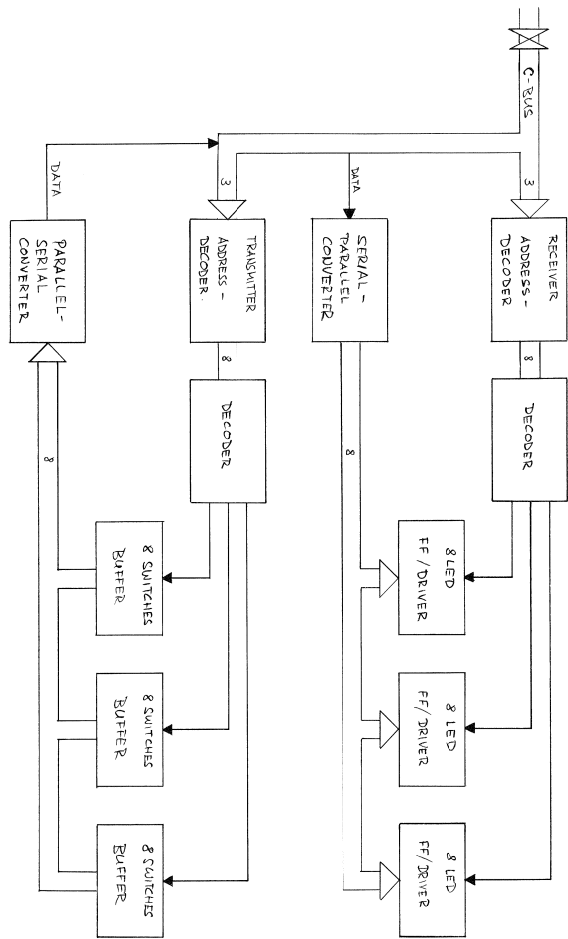
IND.	POS.ND.	PART NO.	VALUE	SPECIFICATIONS / EQUIVALENT	MANUF.
P****1	54.01.0020			SINGLE CONTACT PIN STRING (P)	ANY
P****2	54.01.0020			SINGLE CONTACT PIN STRING (P)	ANY
P****3	54.01.0020			SINGLE CONTACT PIN STRING (P)	ANY
P****4	54.01.0020			SINGLE CONTACT PIN STRING (P)	ANY
P****5	54.01.0020			SINGLE CONTACT PIN STRING (P)	ANY
P****6	54.01.0020			SINGLE CONTACT PIN STRING (P)	ANY
P****7	54.13.0023			DSUB25, VERTICAL, MALE	ANY
P****8	54.14.2003			FLATABLE-CONNECTION, 20+ MALE	ANY
P****9	54.14.2003			FLATABLE-CONNECTION, 13+ MALE	ANY
R*****1	57.11.3432	4.3k	5%		ANY
R*****2	57.11.4133	33k	5%		ANY
R*****3	57.11.4151	15k	5%		ANY
R*****4	57.11.4151	150	5%		ANY
R*****5	57.11.4151	150	5%		ANY
R*****6	57.11.4151	150	5%		ANY
R*****10	57.05.3472	1504.7k	5%, 01136		ANY
XF****1	53.03.0142			CLAMP, 5x20mm	ANY
XF****2	53.03.0142			CLAMP, 5x20mm	ANY
XIC****1	53.03.0168			10-PIN	ANY
XIC****2	53.03.0165			20-PIN	ANY
XIC****3	53.03.0168			10-PIN	ANY
XIC****4	53.03.0167			10-PIN	ANY
XIC****5	53.03.0165			20-PIN	ANY
XIC****6	53.03.0168			10-PIN	ANY
XIC****7	53.03.0168			10-PIN	ANY
XIC****8	53.03.0168			10-PIN	ANY
XIC****9	53.03.0168			10-PIN	ANY
XIC****10	53.03.0168			10-PIN	ANY

S T U D E R (20) 86/09/08 01 CCP TRANSCEIVER 1.861.744.00 PAGE 3

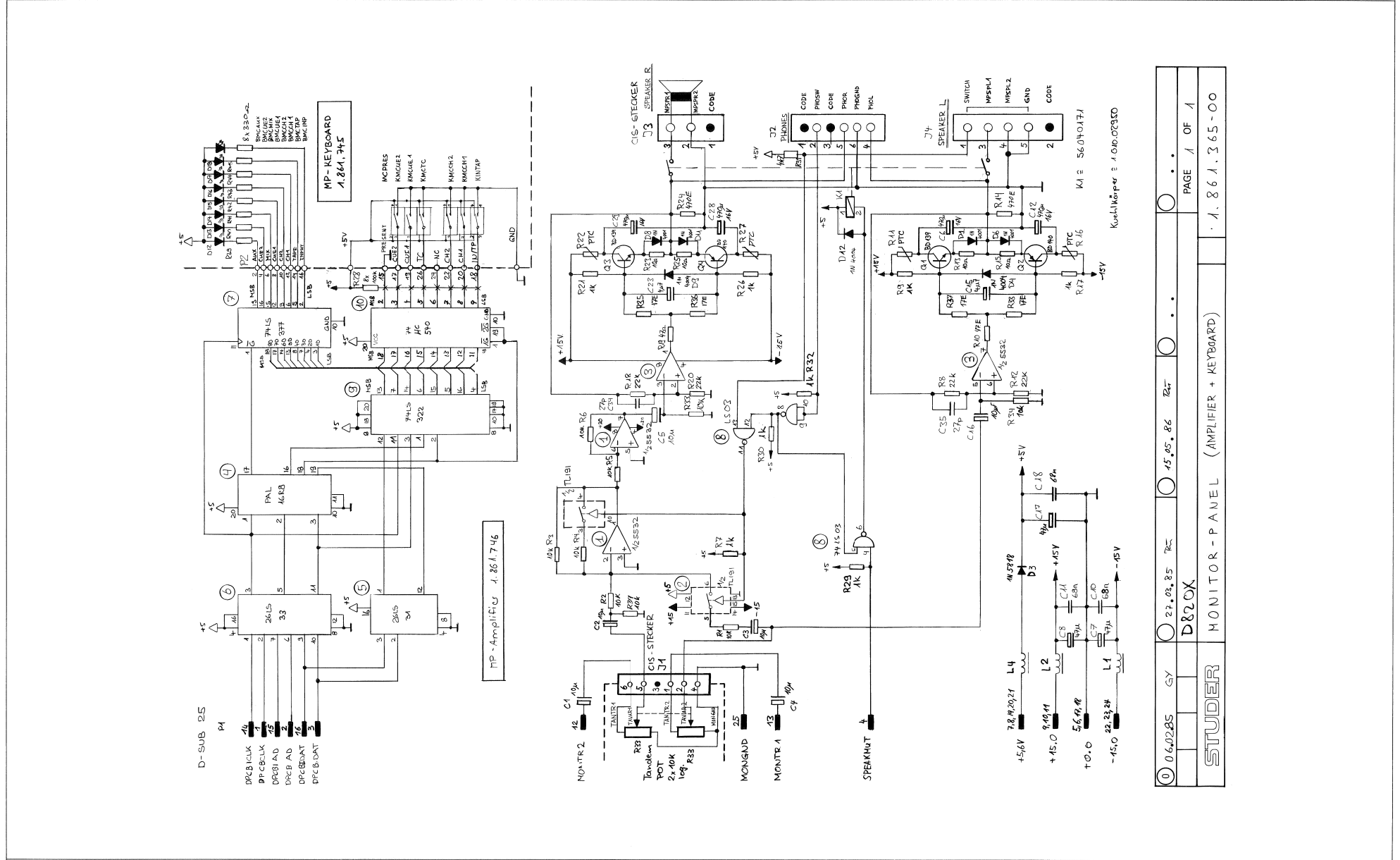
IND.	POS.ND.	PART NO.	VALUE	SPECIFICATIONS / EQUIVALENT	MANUF.
C*****1	59.99.0205	48n		20k, 30V, CER	ANY
C*****2	59.99.0205	48n		20k, 30V, CER	ANY
C*****3	59.99.0205	48n		20k, 30V, CER	ANY
C*****4	59.99.0205	48n		20k, 30V, CER	ANY
C*****5	59.99.0205	48n		20k, 30V, CER	ANY
C*****6	59.99.0205	48n		20k, 30V, CER	ANY
C*****7	59.99.0205	48n		20k, 30V, CER	ANY
C*****8	59.99.0205	48n		20k, 30V, CER	ANY
C*****9	59.99.0205	48n		20k, 30V, CER	ANY
C*****10	59.25.1102	1000u		20k, 10V, EL	ANY
C*****11	59.25.1102	1000u		20k, 10V, EL	ANY
C*****12	59.25.1102	250p		20k, 50V, CER	ANY
C*****13	59.25.1102	250p		20k, 50V, CER	ANY
C*****14	59.02.5333	23n		20k, 50V, CER	ANY
C*****15	59.02.5333	23n		20k, 50V, CER	ANY
D*****1	50.04.0519	LN 5822			ANY
F*****1	51.01.0117			SLOW BLOW, IAT	ANY
IC****1	50.15.0109			AR26 LS33 PC,0526 LS33 CN	ANY
IC****2	50.18.0102			PAL 15 R 8 A-2 CN (186140520)	ANY
IC****3	50.17.1138			74 HC 138	ANY
IC****4	50.17.1138			74 HC 134	ANY
IC****5	50.18.0012			PAL 16 R 8 A-2 CN (186140620)	ANY
IC****6	50.17.1138			74 HC 138	ANY
IC****7	50.17.1138			74 HC 134	ANY
IC****8	50.18.0110			L 296	SLC
IC****9	50.15.0110			VOLTAGE REGULATOR	ANY
J*****1	54.01.0021			JUMPER CONNECTOR	ANY
J*****2	54.01.0021			JUMPER CONNECTOR	ANY
J*****3	54.01.0021			JUMPER CONNECTOR	ANY
J*****7	54.13.0033			DSUB25, VERTICAL, FEMALE	ANY
L*****1	1.022.251.00	0.2mH		FILTER COIL, 5 A	SL
L*****2	62.01.0115			REED-BAND HEF-CRKE	PNV

IND.	POS.ND.	PART NO.	VALUE	SPECIFICATIONS / EQUIVALENT	MANUF.
REMARKS:	(P)			TWO CONTACT-PINS PRO STRING	
MOD. 01:				ACCORDING TO PRODUCTION REQUIREMENTS	
MANUFACTURERS:					
SE				= STUDER	
PH				= PHILIPS	
SGS				= SGS	
ABBREVIATIONS:					
CER				= CERAMIC / EL = ELECTROLYTIC / SAL = SOLID ALUMINIUM	
XIC				= IIC SOCKET	

S T U D E R (20) 86/09/08 01 CCP TRANSCEIVER 1.861.744.00 PAGE 4

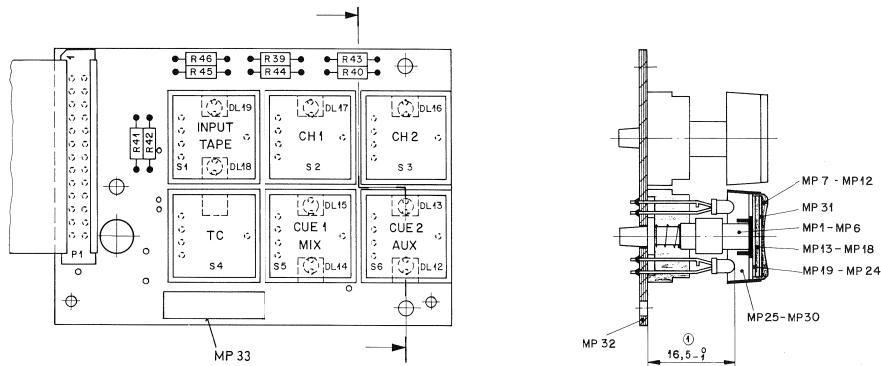


① 30.4.86 72i	○ ..	○ ..	○ ..	○ ..
	D 820 X		PAGE	OF
STUDER	CHANNEL CONTROL BOARD (CCP)			



0	0.6.02.85	GY	27.03.85	Re	15.05.86	Re	1	OF	1
STUDER									
D820X MONITOR - PANEL (AMPLIFIER + KEYBOARD)									
1.861.745-00									

MP-KEYBOARD 1.861.745.00 / (MP-AMPLIFIER 1.861.746.00) PAGE 2



IND.	POS.ND.	PART NO.	VALUE	SPECIFICATIONS / EQUIVALENT	MANUF.	IND.	POS.ND.	PART NO.	VALUE	SPECIFICATIONS / EQUIVALENT	MANUF.
DL...	12	90-04-2129		COV 11-74 RED. DIFFUS	ANY	MP...	29	55-03-0363		KEY TOP, GRAY	RAF
DL...	13	90-04-2129		COV 11-74 RED. DIFFUS	ANY	MP...	30	55-03-0363		KEY TOP, GRAY	RAF
DL...	14	90-04-2129		COV 11-74 RED. DIFFUS	ANY	MP...	31	1-861-745-01		SET OF LABELS, TRANSPARENT	SE
DL...	15	90-04-2129		COV 11-74 RED. DIFFUS	ANY	MP...	32	1-861-745-11		FLC	SE
DL...	16	90-04-2129		COV 11-74 RED. DIFFUS	ANY	P.....	1	1-023-112-02		FLATCABLE, 26-PIN, O.I.C	SE
DL...	17	90-04-2129		COV 11-74 RED. DIFFUS	ANY	R.....	39	57-11-4331	330	5L	ANY
DL...	18	90-04-2129		COV 11-74 RED. DIFFUS	ANY	R.....	40	57-11-4331	330	5L	ANY
DL...	19	90-04-2129		COV 11-74 RED. DIFFUS	ANY	R.....	41	57-11-4331	330	5L	ANY
MP...	1	55-03-0262		SPACER FOR PUSH BUTTON	RAF	R.....	42	57-11-4331	330	5L	ANY
MP...	2	55-03-0262		SPACER FOR PUSH BUTTON	RAF	R.....	43	57-11-4331	330	5L	ANY
MP...	3	55-03-0262		SPACER FOR PUSH BUTTON	RAF	R.....	44	57-11-4331	330	5L	ANY
MP...	4	55-03-0262		SPACER FOR PUSH BUTTON	RAF	R.....	45	57-11-4331	330	5L	ANY
MP...	5	55-03-0262		SPACER FOR PUSH BUTTON	RAF	R.....	46	57-11-4331	330	5L	ANY
MP...	6	55-03-0262		SPACER FOR PUSH BUTTON	RAF	R.....	47	57-11-4331	330	5L	ANY
MP...	7	1-861-090-22		COVER FOR KEY TOP	RAF	S.....	1	55-03-0261		MAIN BODY, SPST, OPEN COLLECTOR	RAF
MP...	8	1-861-090-22		COVER FOR KEY TOP	RAF	S.....	2	55-03-0261		MAIN BODY, SPST, OPEN COLLECTOR	RAF
MP...	9	1-861-090-22		COVER FOR KEY TOP	RAF	S.....	3	55-03-0261		MAIN BODY, SPST, OPEN COLLECTOR	RAF
MP...	10	1-861-090-22		COVER FOR KEY TOP	RAF	S.....	4	55-03-0261		MAIN BODY, SPST, OPEN COLLECTOR	RAF
MP...	11	1-861-090-22		COVER FOR KEY TOP	RAF	S.....	5	55-03-0261		MAIN BODY, SPST, OPEN COLLECTOR	RAF
MP...	12	1-861-090-22		COVER FOR KEY TOP	RAF	S.....	6	55-03-0261		MAIN BODY, SPST, OPEN COLLECTOR	RAF
MP...	13	55-03-0385		INLET FOR LABEL, GRAY	RAF	S.....	7	55-03-0261		MAIN BODY, SPST, OPEN COLLECTOR	RAF
MP...	14	55-03-0385		INLET FOR LABEL, GRAY	RAF						
MP...	15	55-03-0385		INLET FOR LABEL, GRAY	RAF						
MP...	16	55-03-0385		INLET FOR LABEL, GRAY	RAF						
MP...	17	55-03-0385		INLET FOR LABEL, GRAY	RAF						
MP...	18	55-03-0385		INLET FOR LABEL, GRAY	RAF						
MP...	19	55-03-0351		DIFFUSOR, JPAL	RAF						
MP...	20	55-03-0351		DIFFUSOR, JPAL	RAF						
MP...	21	55-03-0351		DIFFUSOR, JPAL	RAF						
MP...	22	55-03-0351		DIFFUSOR, JPAL	RAF						
MP...	23	55-03-0351		DIFFUSOR, JPAL	RAF						
MP...	24	55-03-0351		DIFFUSOR, JPAL	RAF						
MP...	25	55-03-0363		KEY TOP, GRAY	RAF						
MP...	26	55-03-0363		KEY TOP, GRAY	RAF						
MP...	27	55-03-0363		KEY TOP, GRAY	RAF						
MP...	28	55-03-0363		KEY TOP, GRAY	RAF						

REMARKS:

MANUFACTURERS:

SE - STUDER

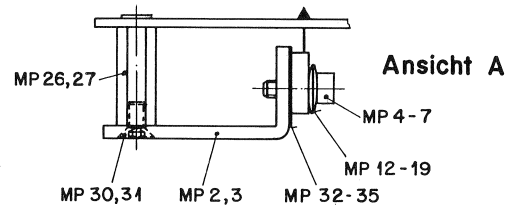
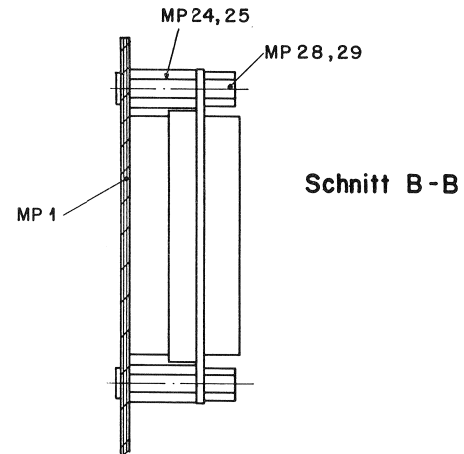
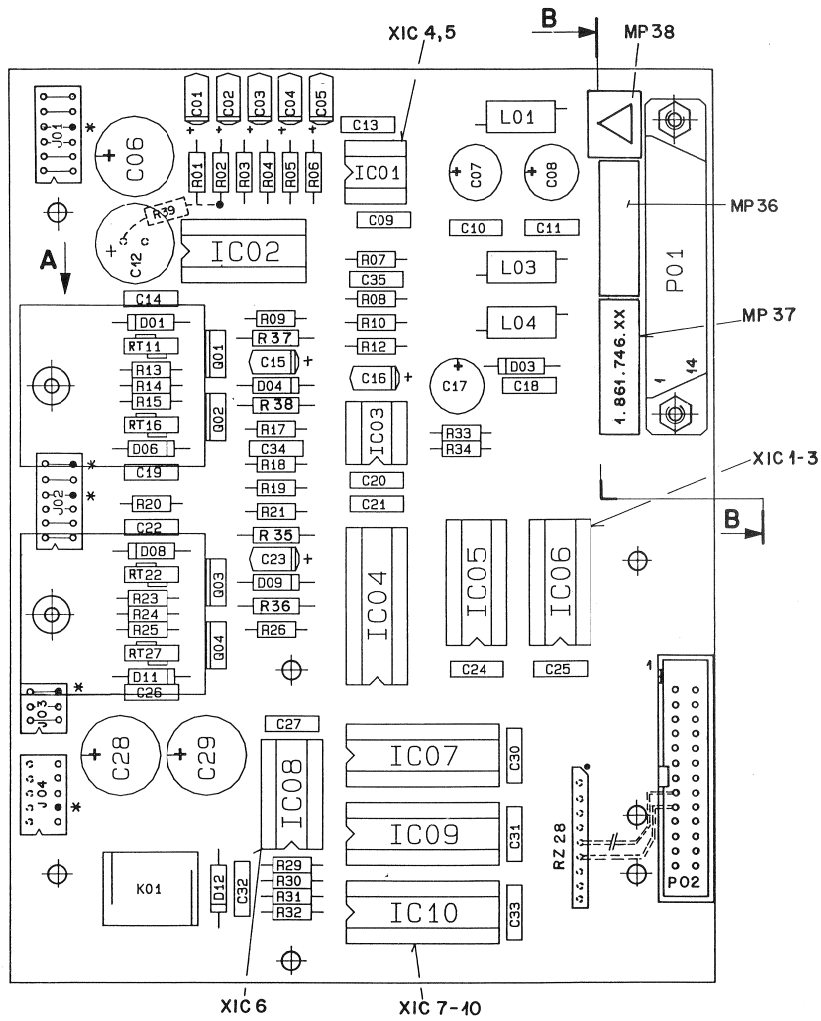
RAF - RAF

ABBREVIATIONS:

ORIG. 85/0772A

8.10.86				
29.11.85 A.H.				
22.8.85				
Datum	Gez.	Gepr.	Gez.	Index
Kopie für:				
24. NOV. 1988				
Number 1.861.745-00				

(MP-KEYBOARD 1.861.745.00) / MP-AMPLIFIER 1.861.746.00 PAGE 3



Änderung									
Datum	22.10.86	Gez.	<i>[Signature]</i>	Gest.	<i>[Signature]</i>	Index			
Kopie für:		24. NOV. 1986							
Nummer:		1.861.746-20							

(MP-KEYBOARD 1.861.745.00) / MP-AMPLIFIER 1.861.746.00 PAGE 4 (LAST)

IND.	POS.NC.	PART NO.	VALUE	SPECIFICATIONS / EQUIVALENT	MANUF.	IND.	POS.ND.	PART NO.	VALUE	SPECIFICATIONS / EQUIVALENT	MANUF.
C****1	59*26*2100	10w	20*	15V + SOLID ALU	ANY	R****6	57*11*4103	10k	5%	ANY	
C****2	59*26*2100	10w	20*	15V + SOLID ALU	ANY	R****7	57*11*4102	100k	5%	ANY	
C****3	59*26*2100	10w	20*	15V + SOLID ALU	ANY	R****8	57*11*4223	22k	5%	ANY	
C****4	59*26*2100	10w	20*	15V + SOLID ALU	ANY	R****9	57*11*4102	100k	5%	ANY	
C****5	59*26*2100	10w	20*	15V + SOLID ALU	ANY	R****10	57*11*4100	47k	5%	ANY	
C****6	59*22*4471	470u	20*	16V + EL	ANY	R****12	57*11*4223	22k	5%	ANY	
C****7	59*22*4470	47u	20*	25V + EL	ANY	R****13	57*11*4100	10k	5%	ANY	
C****8	59*22*4470	47u	20*	25V + EL	ANY	R****14	57*11*4471	470	5%	ANY	
C****9	59*09*0205	68n	20*	63V + CER	ANY	R****15	57*11*4100	10k	5%	ANY	
C****10	59*09*0205	68n	20*	63V + CER	ANY	R****17	57*11*4102	100k	5%	ANY	
C****11	59*09*0205	68n	20*	63V + CER	ANY	R****18	57*11*4223	22k	5%	ANY	
C****12	59*22*4471	470u	20*	16V + EL	ANY	R****19	57*11*4470	47	5%	ANY	
C****13	59*09*0205	68n	20*	63V + CER	ANY	R****20	57*11*4100	10k	5%	ANY	
C****14	59*09*0205	68n	20*	63V + CER	ANY	R****21	57*11*4102	100k	5%	ANY	
C****15	59*26*2100	10w	20*	15V + SOLID ALU	ANY	R****22	57*11*4100	47k	5%	ANY	
C****16	59*26*2100	10w	20*	15V + SOLID ALU	ANY	R****24	57*11*4471	470	5%	ANY	
C****17	59*22*4470	47u	20*	25V + EL	ANY	R****25	57*11*4100	10k	5%	ANY	
C****18	59*09*0205	68n	20*	63V + CER	ANY	R****26	57*11*4102	100k	5%	ANY	
C****19	59*09*0205	68n	20*	63V + CER	ANY	R****29	57*11*4102	1k	5%	ANY	
C****20	59*09*0205	68n	20*	63V + CER	ANY	R****30	57*11*4102	1k	5%	ANY	
C****21	59*09*0205	68n	20*	63V + CER	ANY	R****31	57*11*4102	1k	5%	ANY	
C****22	59*09*0205	68n	20*	63V + CER	ANY	R****32	57*11*4102	1k	5%	ANY	
C****23	59*26*2100	10w	20*	15V + SOLID ALU	ANY	R****33	57*11*4103	10k	5%	ANY	
C****24	59*09*0205	68n	20*	63V + CER	ANY	R****34	57*11*4103	10k	5%	ANY	
C****25	59*09*0205	68n	20*	63V + CER	ANY	R****35	57*11*4103	10k	5%	ANY	
C****26	59*09*0205	68n	20*	63V + CER	ANY	R****36	57*11*4470	47	5%	ANY	
C****27	59*09*0205	68n	20*	63V + CER	ANY	R****37	57*11*4470	47	5%	ANY	
C****28	59*22*4471	470u	20*	16V + EL	ANY	R****38	57*11*4470	47	5%	ANY	
C****29	59*22*4471	470u	20*	16V + EL	ANY	R****39	57*11*4103	10k	5%	ANY	
C****30	59*09*0205	68n	20*	63V + CER	ANY	RT****11	57*92*1151	22	4%	PTC	ANY
C****31	59*09*0205	68n	20*	63V + CER	ANY	RT****16	57*92*1151	22	4%	PTC	ANY
C****32	59*09*0205	68n	20*	63V + CER	ANY	RT****22	57*92*1151	22	4%	PTC	ANY
C****33	59*14*2370	77p	20*	63V + CER	ANY	RT****27	57*92*1151	22	4%	PTC	ANY
C****34	59*14*2370	77p	20*	63V + CER	ANY	RZ****28	57*08*6104	8100k	5%	SINGLE IN LINE	ANY
C****35	59*14*2370	77p	20*	63V + CER	ANY						
D****1	50*04*0122	IN 4001			ANY						

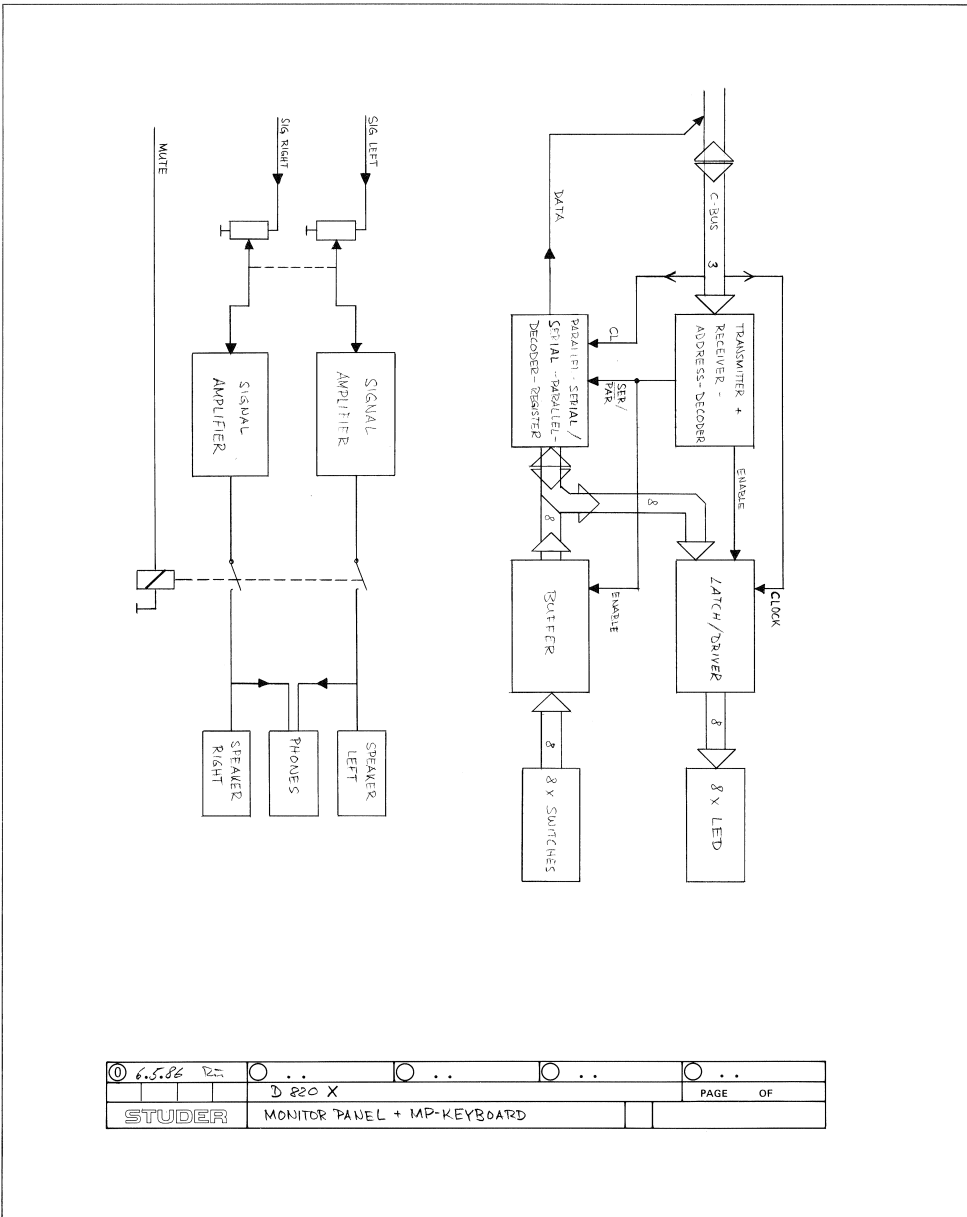
STUDER (02) 86/10/09 Sn MP AMPLIFIER 1.861.746.20 PAGE 1

IND.	POS.ND.	PART NO.	VALUE	SPECIFICATIONS / EQUIVALENT	MANUF.	IND.	POS.ND.	PART NO.	VALUE	SPECIFICATIONS / EQUIVALENT	MANUF.
D****3	50*04*0152	IN 5818			ANY	XTC****2	53*03*0168		16-PIN		ANY
D****5	50*04*0195	IN 4004			ANY	XTC****3	53*03*0166		8-PIN		ANY
D****11	50*04*0122	IN 4001			ANY	XTC****4	53*03*0165		20-PIN		ANY
D****12	50*04*0105	IN 4004			ANY	XTC****5	53*03*0166		16-PIN		ANY
D****13	50*04*0122	IN 4001			ANY	XTC****6	53*03*0168		16-PIN		ANY
D****14	50*04*0122	IN 4001			ANY	XTC****7	53*03*0165		20-PIN		ANY
D****15	50*04*0105	IN 4004			ANY	XTC****8	53*03*0167		16-PIN		ANY
D****16	50*04*0105	IN 4004			ANY	XTC****9	53*03*0165		20-PIN		ANY
D****17	50*04*0105	IN 4004			ANY	XTC****10	53*03*0165		20-PIN		ANY
IC****1	50*09*0105		NE 555Z N		ANY						
IC****2	50*11*0120		TL 191 CN DG 390 C.J		ANY						
IC****3	50*09*0105		NE 555Z N		ANY						
IC****4	50*18*0012		PAL 16 R 8 A-2 CN	[186141020]	ANY						
IC****5	50*15*0100		ARND LS 31 PC+M80 LS31 CN		ANY						
IC****6	50*15*0109		ARND LS33 PC+M80 LS33 CN		ANY						
IC****7	50*06*0377		SN 74 LS 377 R		ANY						
IC****8	50*06*0322		SN 74 LS 322 AN		ANY						
IC****9	50*06*0540		SN 74 LS 540		ANY						
IC****10	50*06*0540		SN 74 LS 540		ANY						
J****1	50*01*0236		CIS CONNECTOR 6-PIN; FEMALE		ANY						
J****2	50*01*0236		CIS CONNECTOR 6-PIN; FEMALE		ANY						
J****3	50*01*0239		CIS CONNECTOR 3-PIN; FEMALE		ANY						
J****4	50*01*0238		CIS CONNECTOR 6-PIN; FEMALE		ANY						
K****1	56*04*0170		DPDT; 5V; PRINT		ITT						
L****1	62*01*0215		WIDE-BAND HF-HORKE		PH						
L****2	62*01*0215		WIDE-BAND HF-HORKE		PH						
L****3	62*01*0215		WIDE-BAND HF-HORKE		PH						
L****4	62*01*0215		WIDE-BAND HF-HORKE		PH						
M****1	1.861.746.11		1 PCS PCB		SE						
M****2	1.010.029.50		1 PCS HEAT-SINK FOR 28T0 L26		SE						
M****3	1.010.029.50		1 PCS HEAT-SINK FOR 28T0 L26		SE						
M****4	21*53*0354		1 PCS SCRWM; M36		ANY						
M****5	21*53*0354		1 PCS SCRWM; M36		ANY						
M****6	21*53*0354		1 PCS SCRWM; M36		ANY						
M****7	21*53*0354		1 PCS SCRWM; M36		ANY						

STUDER (02) 86/10/09 Sn MP AMPLIFIER 1.861.746.20 PAGE 2

IND.	POS.ND.	PART NO.	VALUE	SPECIFICATIONS / EQUIVALENT	MANUF.
M****12	37*01*0101		1 PCS WASHER SPRING-TYPE; D=3*2		ANY
M****13	37*01*0101		1 PCS WASHER SPRING-TYPE; D=3*2		ANY
M****14	37*01*0101		1 PCS WASHER SPRING-TYPE; D=3*2		ANY
M****15	37*01*0101		1 PCS WASHER SPRING-TYPE; D=3*2		ANY
M****16	37*01*0101		1 PCS WASHER SPRING-TYPE; D=3*2		ANY
M****17	37*01*0101		1 PCS WASHER SPRING-TYPE; D=3*2		ANY
M****18	37*01*0101		1 PCS WASHER SPRING-TYPE; D=3*2		ANY
M****19	37*01*0101		1 PCS WASHER SPRING-TYPE; D=3*2		ANY
M****20	1.010.021.22		1 PCS STAND-OFF; M3.0x0.5mm; RIVETING TYPE		SE
M****21	1.010.021.22		1 PCS STAND-OFF; M3.0x0.5mm; RIVETING TYPE		SE
M****22	1.010.021.22		1 PCS STAND-OFF; M3.0x0.5mm; RIVETING TYPE		SE
M****23	1.010.021.22		1 PCS STAND-OFF; M3.0x0.5mm; RIVETING TYPE		SE
M****24	1.010.021.22		1 PCS STAND-OFF; M3.0x0.5mm; RIVETING TYPE		SE
M****25	1.010.021.22		1 PCS STAND-OFF; M3.0x0.5mm; RIVETING TYPE		SE
M****26	1.010.021.22		1 PCS STAND-OFF; M3.0x0.5mm; RIVETING TYPE		SE
M****27	1.010.021.22		1 PCS STAND-OFF; M3.0x0.5mm; RIVETING TYPE		SE
M****28	1.010.021.22		1 PCS STAND-OFF WITH THREAD; LOCKING TYPE		SE
M****29	1.010.021.22		1 PCS STAND-OFF WITH THREAD; LOCKING TYPE		SE
M****30	21*51*2354		1 PCS SCRWM; COUNTERSINK HEAD; M36mm		ANY
M****31	21*51*2354		1 PCS SCRWM; COUNTERSINK HEAD; M36mm		ANY
M****32	50*26*0310		1 PCS INSULATOR; GREASED; FOR TO L26		ANY
M****33	50*26*0310		1 PCS INSULATOR; GREASED; FOR TO L26		ANY
M****34	50*26*0310		1 PCS INSULATOR; GREASED; FOR TO L26		ANY
M****35	50*26*0310		1 PCS INSULATOR; GREASED; FOR TO L26		ANY
M****36	1.010.021.22		1 PCS STAND-OFF; M3.0x0.5mm; RIVETING TYPE		SE
M****37	1.861.746.01		1 PCS LABEL WITH STUDER-NUMBER		SE
M****38	43*01*0108		1 PCS LABEL "TEST"		ANY
P****1	54*14*0033		20-PIN D-SUB; VERTICAL MALE		ANY
P****2	54*14*2003		PLATECABLE CONNECTOR 20-PIN; MALE		ANY
Q****1	50*03*0451		80 139-10		ANY
Q****2	50*03*0451		80 139-10		ANY
Q****3	50*03*0451		80 139-10		ANY
Q****4	50*03*0451		80 139-10		ANY
R****1	57*11*4103		10k	5%	ANY
R****2	57*11*4103		10k	5%	ANY
R****3	57*11*4103		10k	5%	ANY
R****4	57*11*4103		10k	5%	ANY
R****5	57*11*4103		10k	5%	ANY

STUDER (02) 86/10/09 Sn MP AMPLIFIER 1.861.746.20 PAGE 3

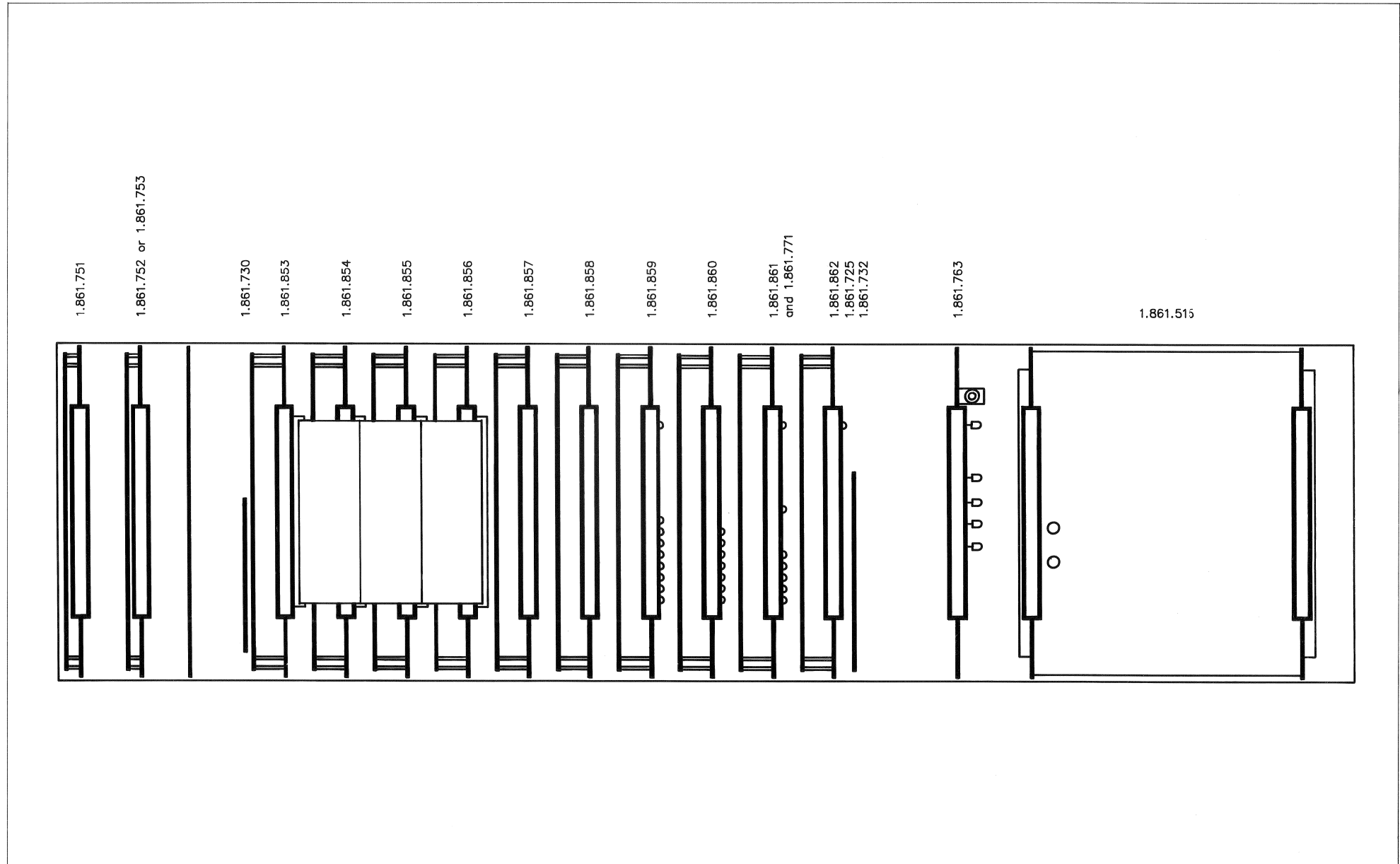


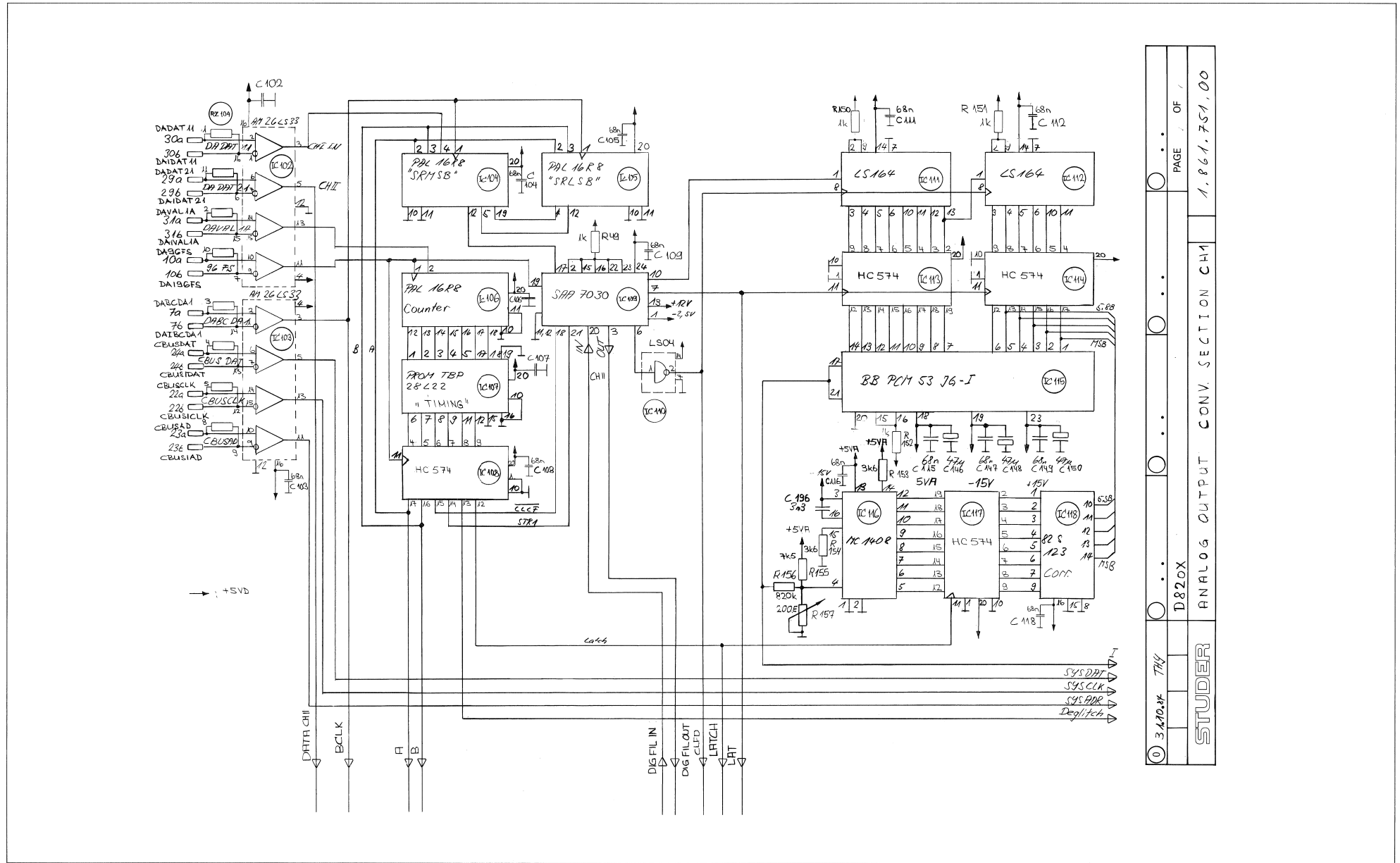
6.5.86	R2			D 820 X						
STUDER										PAGE OF
MONITOR PANEL + MP-KEYBOARD										

4. ASSEMBLY 4**BOX**

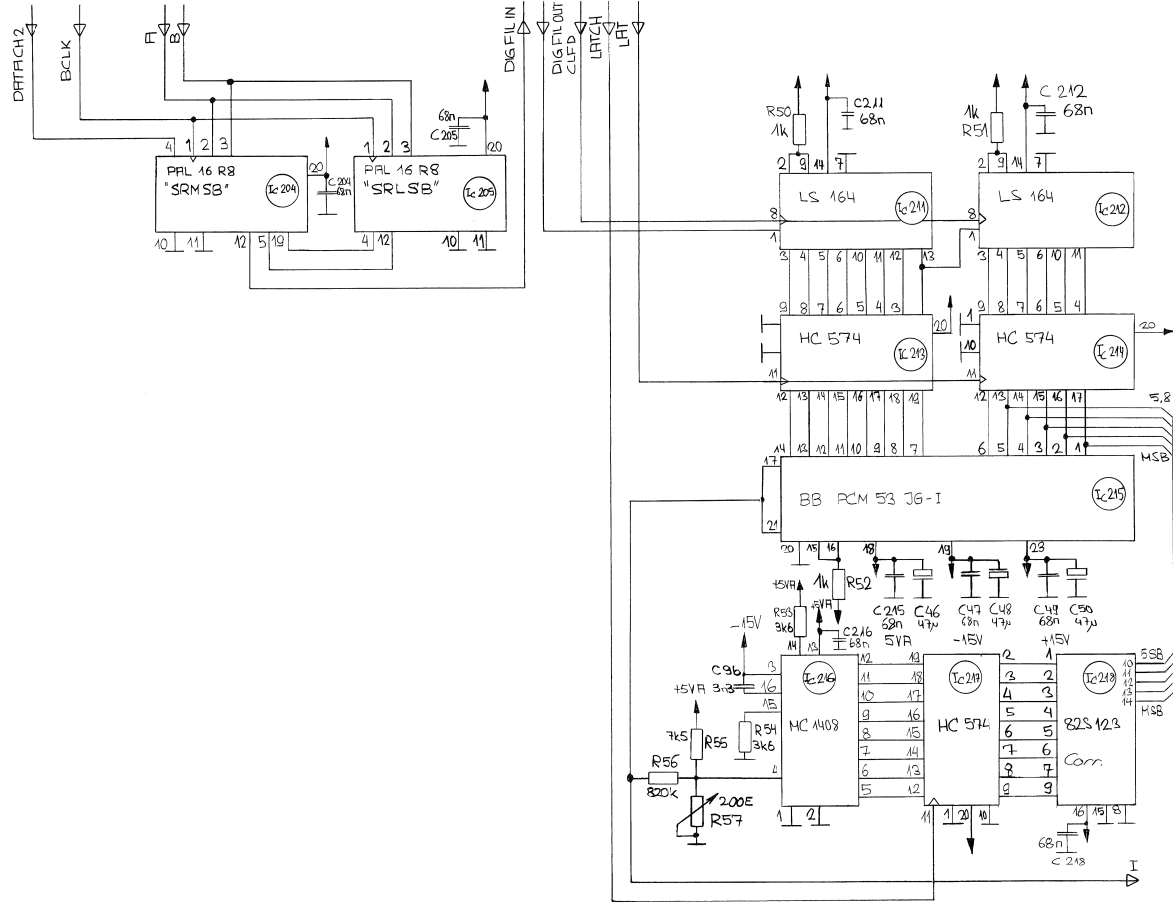
<u>CONTENS</u>	<u>SCHEMATIC NO.</u>	<u>SECTION/PAGE</u>
BOARD LOCATION		4/2
ANALOG OUTPUT	1.861.751.00	4/3
ANALOG INPUT	1.861.752.00	4/11
ANALOG INPUT TRAF0	1.861.753.00	4/19
GAINS CONTROL	1.861.853.00	4/25
DI-PLL	1.861.730.00	4/31
DI-PLL	1.861.730.81	4/33
DAPRO INTERFACE	1.861.854.00	4/35
DATA PROCESSOR	1.861.855.00	4/41
COEFFICIENT GENERATOR	1.861.856.00	4/47
CODEC CONTROL	1.861.857.00	4/53
CODEC MEMORY	1.861.858.00	4/59
TRANSFORMATTOR	1.861.859.00	4/69
RUN PROCESSOR	1.861.860.00	4/75
RT/TC CODEC	1.861.861.00	4/81
TC ANALOG IF	1.861.771.00	4/87
TIMING + TEST	1.861.862.00	4/89
DUAL PLL	1.861.725.00	4/99
VCXO	1.861.732.00	4/101
MP UNIT SYSCON	1.861.763.00	4/103
POWER SUPPLY BOX	1.861.515.00	4/117
TC TRANSFORMER	1.861.772.00	4/109
CONNECTORFIELD EURO	1.861.773.00	4/111
CONNECTORFIELD USA	1.861.775.00	4/112
BNC INTERCONNECTION	1.861.776.00	4/113
CONNECTORFIELD TRAF0 USA	1.861.777.00	4/115
BACKPANEL BOX	1.861.885.00	4/116

BOARD LOCATION

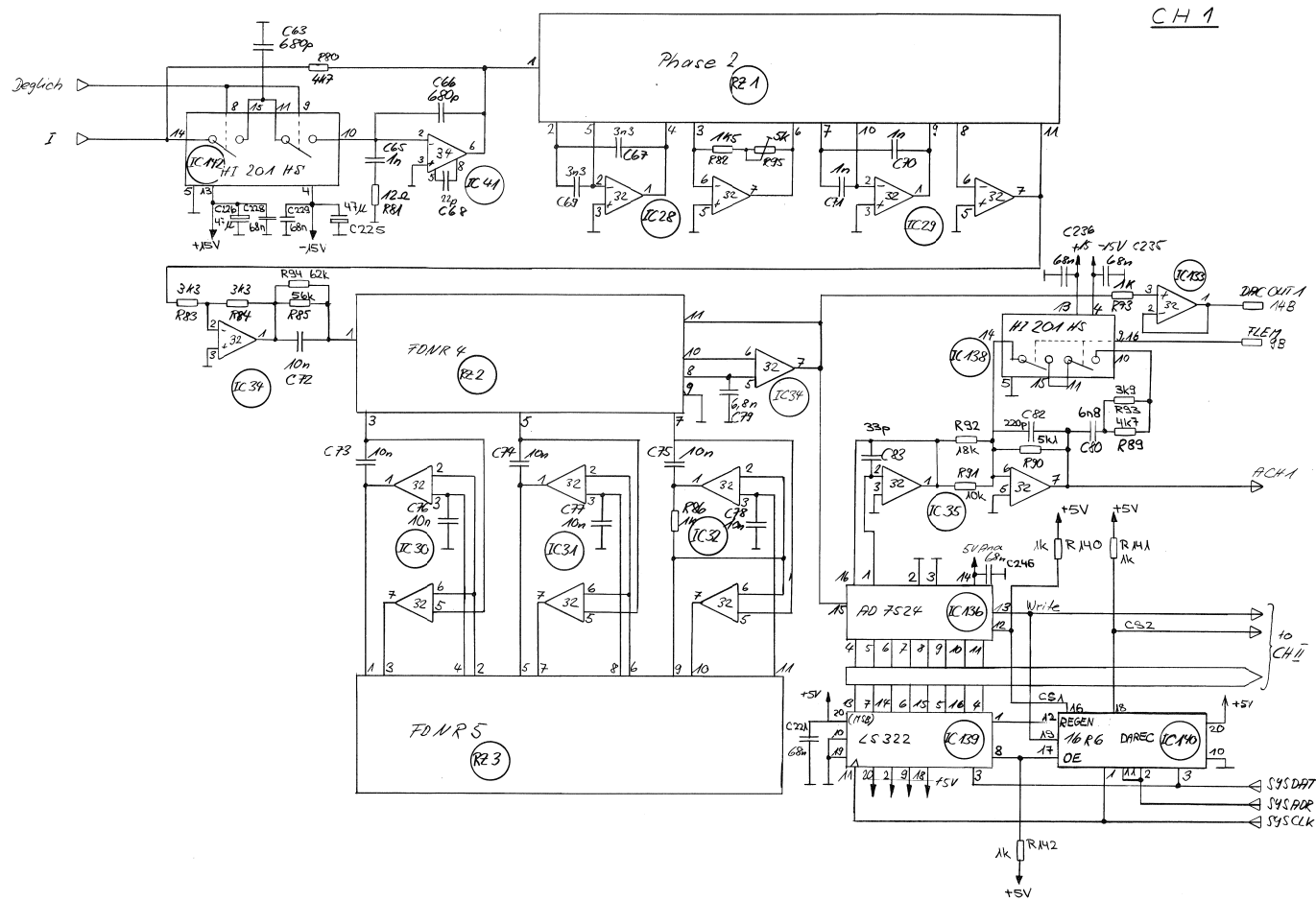




0 3.470.8 THY
D820X
ANALOG OUTPUT CONV. SECTION CH1
PAGE 1 OF 1
1.861.751.00
STUDER

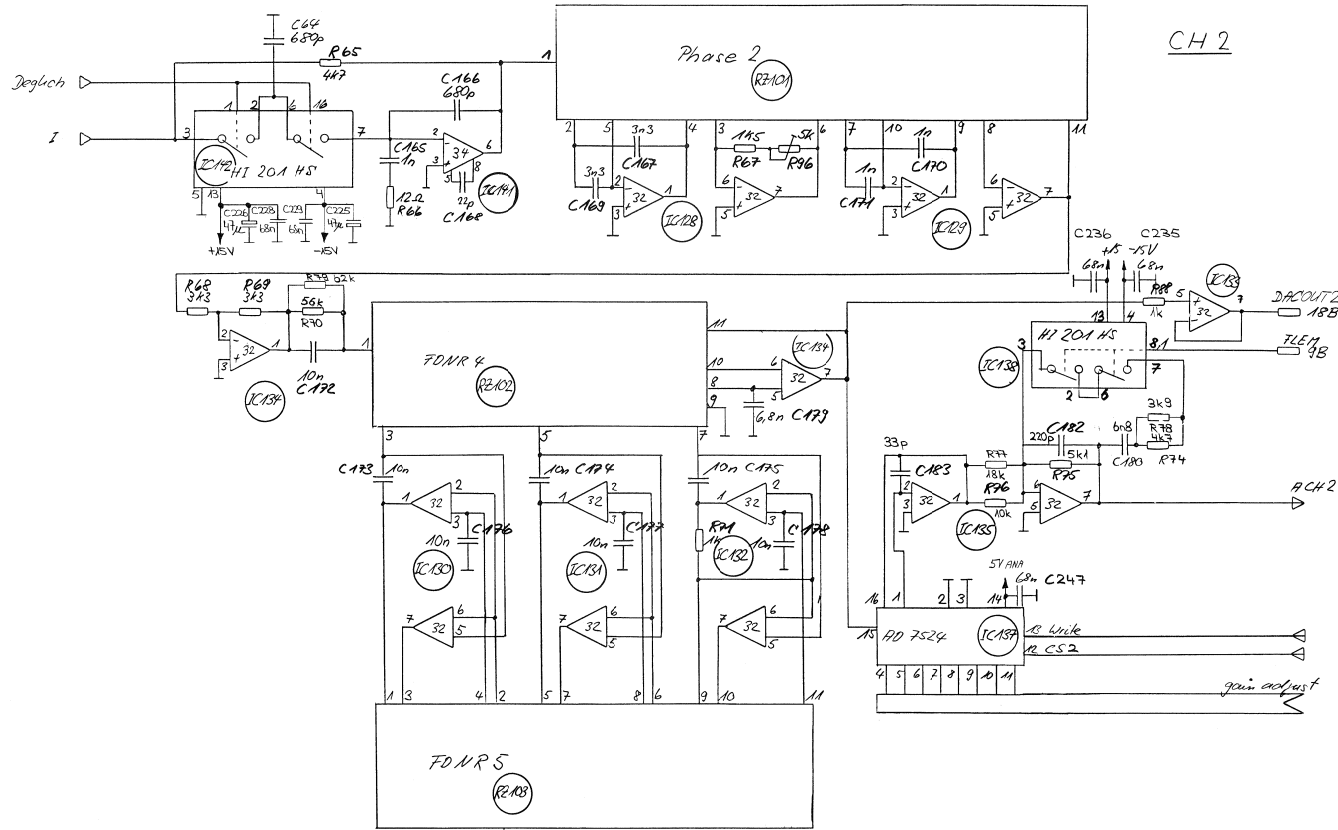


030685	...	PAGE	OF
STUDER	D820X	ANALOG OUTPUT	CONV. SECTION CH2
		1.861.751.00	

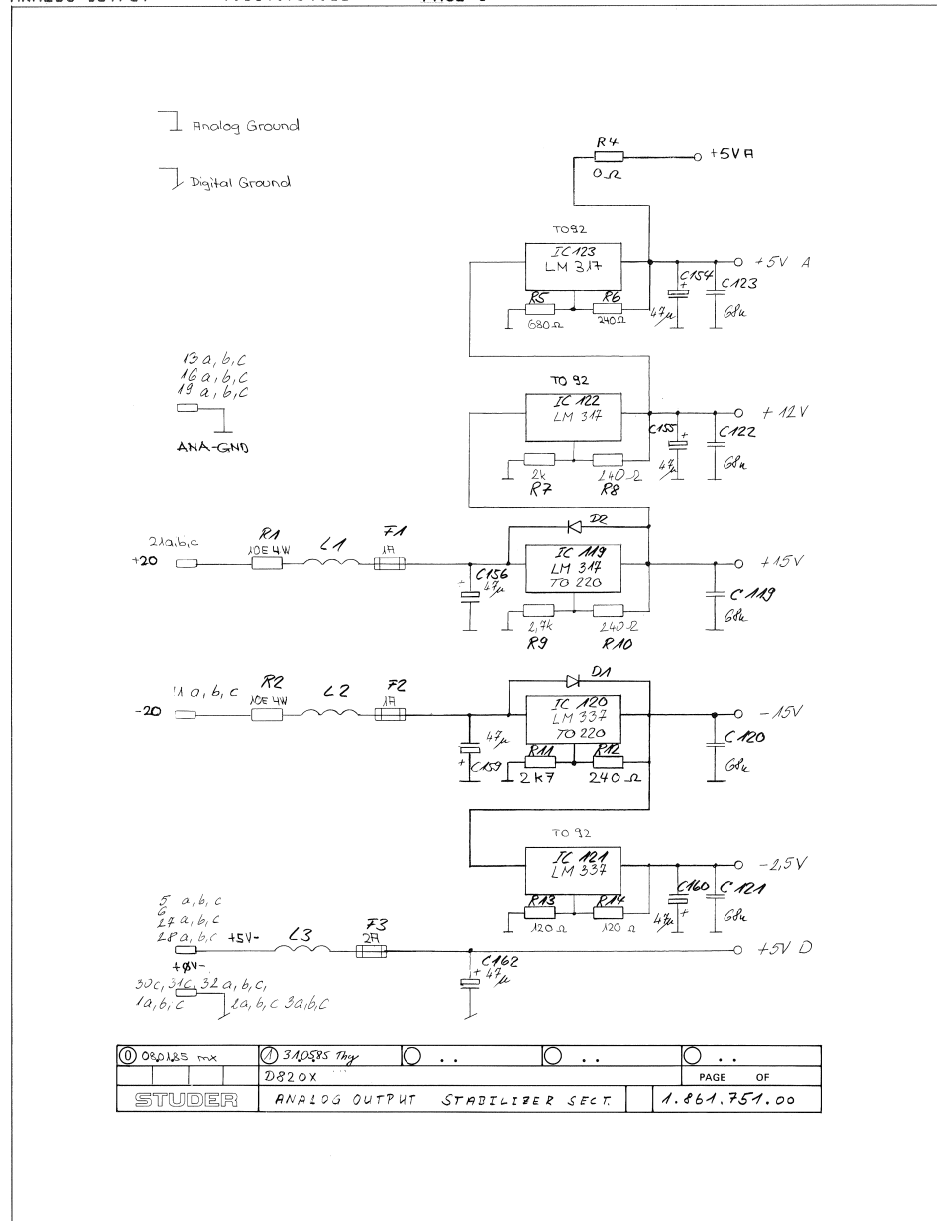


CH 1

03.06.85	75	STUDER	ANALOG OUTPUT FILTER SECTION	1.861.751.00
D820X		PAGE OF		

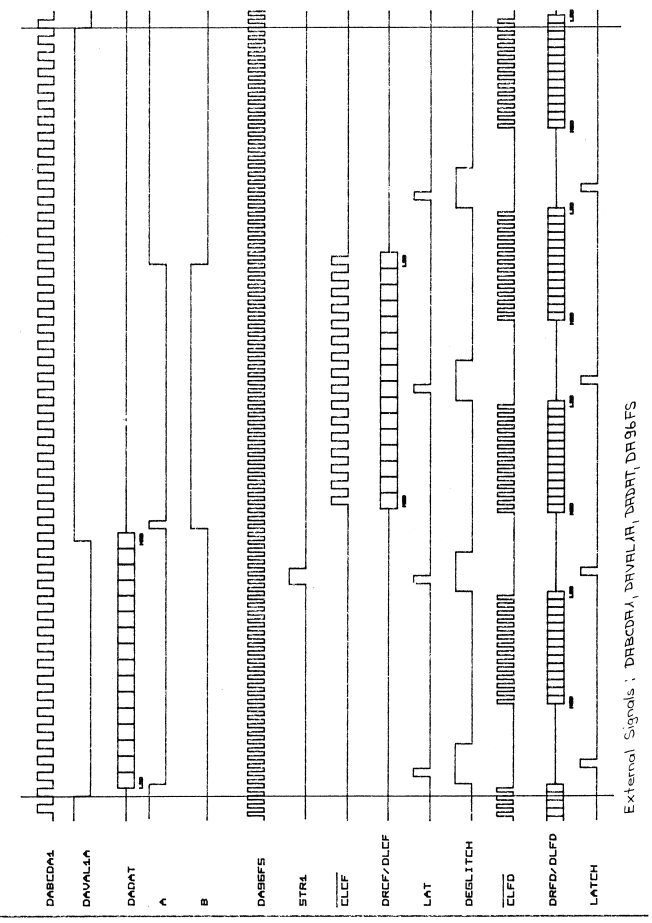


09.06.85	D820X	ANALOG OUTPUT FILTER SECTION	1.861.751.00
STUDER			



ANALOG OUTPUT BOARD
1.861.751-218

D/A TIMING OVERSAMPLING PHILIPS SAA 7030



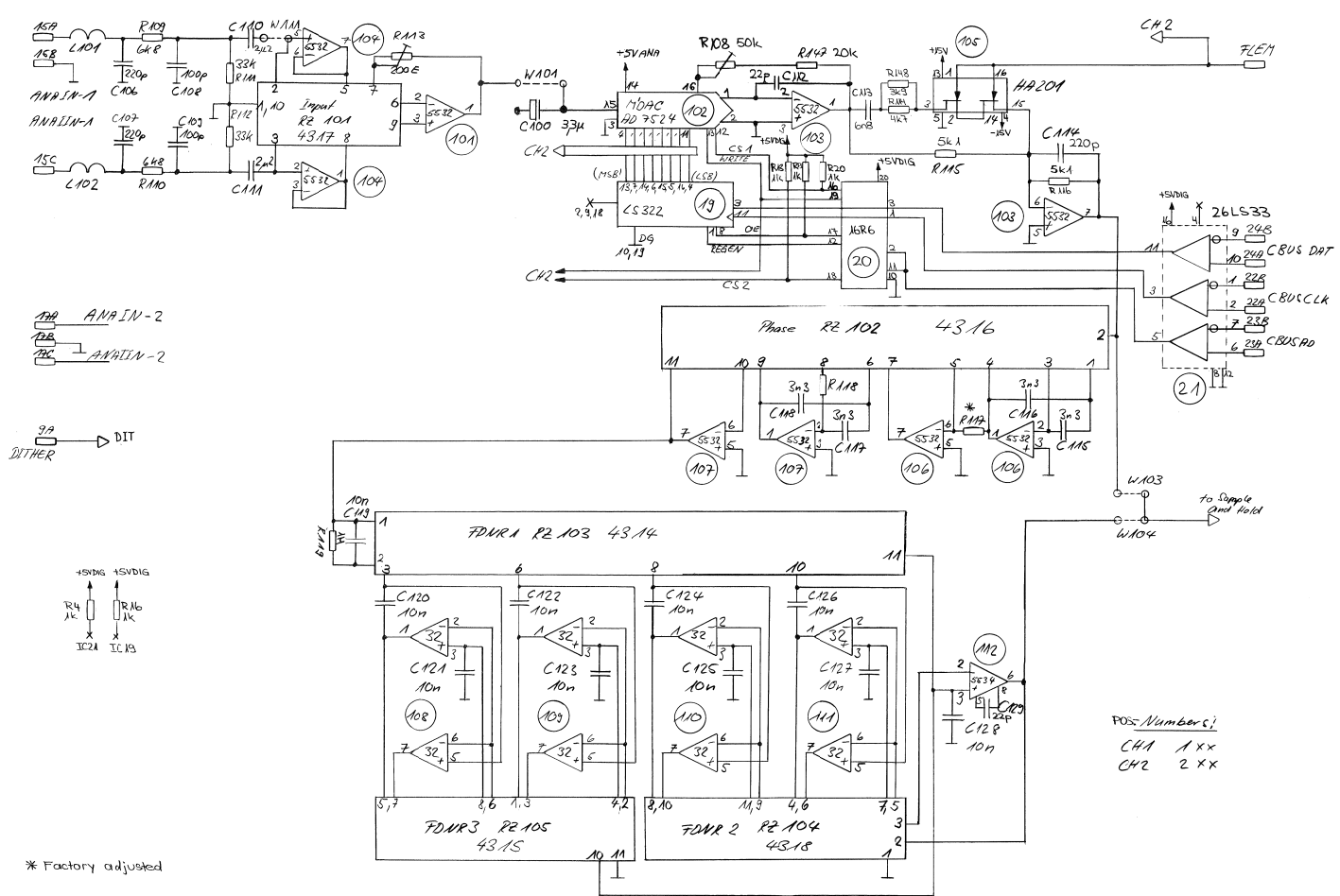
① 11D125 mx
	D820X		PAGE	OF
STUDER	ANALOG OUTPUT TIMING		1.861.751.00	

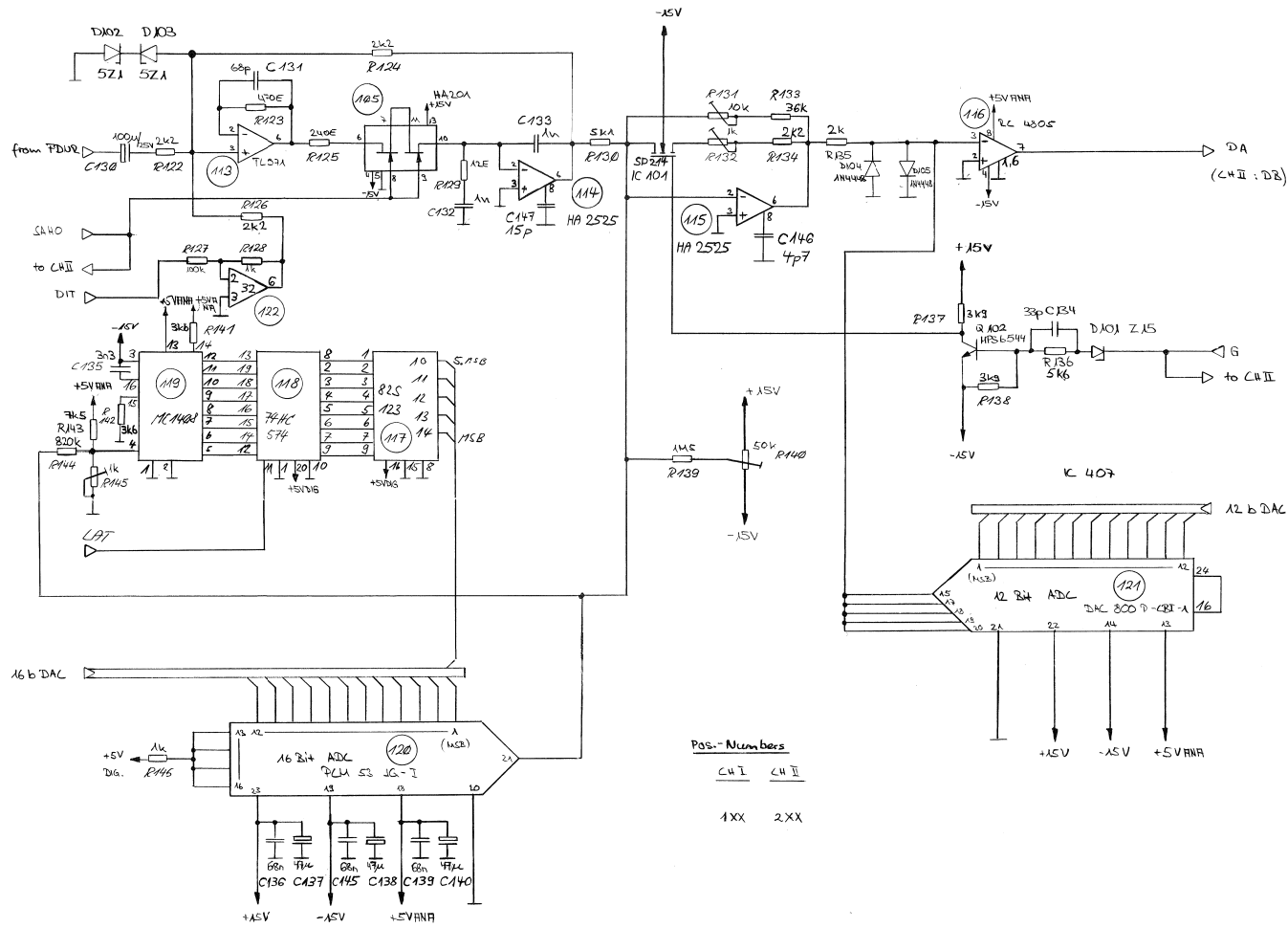
ANALOG OUTPUT 1.861.751.00 PAGE 8 (LAST)

IND.	POS.ND.	PART NO.	VALUE	SPECIFICATIONS / EQUIVALENT	MANUF.	IND.	POS.ND.	PART NO.	VALUE	SPECIFICATIONS / EQUIVALENT	MANUF.	IND.	POS.ND.	PART NO.	VALUE	SPECIFICATIONS / EQUIVALENT	MANUF.	IND.	POS.ND.	PART NO.	VALUE	SPECIFICATIONS / EQUIVALENT	MANUF.
M2-08	50.20.0354	INSULATOR GROUND	ANY		ANY	R2-02	57.11.4152	1.5K	2%		ANY	XIC-31	53.03.0168					XIC-31	53.03.0168				
M2-09	21.01.0354	SCREW CYLIN-HEAD, M35mm	ANY		ANY	R2-03	57.11.4152	1.5K	2%		ANY	XIC-32	53.03.0168					XIC-32	53.03.0168				
M2-10	1.861.751.01	NAME PLATE 4.3091	SL		ANY	R2-04	57.11.4152	1.5K	2%		ANY	XIC-33	53.03.0168					XIC-33	53.03.0168				
M2-11	21.01.0277	SCREW CYLIN HEAD, M2.5x4	ANY		ANY	R2-05	57.11.4152	1.5K	2%		ANY	XIC-34	53.03.0168					XIC-34	53.03.0168				
M2-12	21.01.0277	SCREW CYLIN HEAD, M2.5x4	ANY		ANY	R2-06	57.11.4152	1.5K	2%		ANY	XIC-35	53.03.0168					XIC-35	53.03.0168				
M2-13	21.01.0277	SCREW CYLIN HEAD, M2.5x4	ANY		ANY	R2-07	57.11.4152	1.5K	2%		ANY	XIC-36	53.03.0168					XIC-36	53.03.0168				
M2-14	21.01.0277	SCREW CYLIN HEAD, M2.5x4	ANY		ANY	R2-08	57.11.4152	1.5K	2%		ANY	XIC-37	53.03.0168					XIC-37	53.03.0168				
M2-15	21.01.0277	SCREW CYLIN HEAD, M2.5x4	ANY		ANY	R2-09	57.11.4152	1.5K	2%		ANY	XIC-38	53.03.0168					XIC-38	53.03.0168				
M2-16	21.01.0277	SCREW CYLIN HEAD, M2.5x4	ANY		ANY	R2-10	57.11.4152	1.5K	2%		ANY	XIC-39	53.03.0168					XIC-39	53.03.0168				
M2-17	21.01.0277	SCREW CYLIN HEAD, M2.5x4	ANY		ANY	R2-11	57.11.4152	1.5K	2%		ANY	XIC-40	53.03.0168					XIC-40	53.03.0168				
M2-18	21.01.0277	SCREW CYLIN HEAD, M2.5x4	ANY		ANY	R2-12	57.11.4152	1.5K	2%		ANY	XIC-41	53.03.0168					XIC-41	53.03.0168				
M2-19	21.01.0277	SCREW CYLIN HEAD, M2.5x4	ANY		ANY	R2-13	57.11.4152	1.5K	2%		ANY	XIC-42	53.03.0168					XIC-42	53.03.0168				
M2-20	21.01.0277	SCREW CYLIN HEAD, M2.5x4	ANY		ANY	R2-14	57.11.4152	1.5K	2%		ANY	XIC-43	53.03.0168					XIC-43	53.03.0168				
M2-21	21.01.0277	SCREW CYLIN HEAD, M2.5x4	ANY		ANY	R2-15	57.11.4152	1.5K	2%		ANY	XIC-44	53.03.0168					XIC-44	53.03.0168				
M2-22	24.16.1025	LOCK WASHER, M2.5	ANY		ANY	R2-16	57.11.4152	1.5K	2%		ANY	XIC-45	53.03.0168					XIC-45	53.03.0168				
M2-23	24.16.1025	LOCK WASHER, M2.5	ANY		ANY	R2-17	57.11.4152	1.5K	2%		ANY	XIC-46	53.03.0168					XIC-46	53.03.0168				
M2-24	24.16.1025	LOCK WASHER, M2.5	ANY		ANY	R2-18	57.11.4152	1.5K	2%		ANY	XIC-47	53.03.0168					XIC-47	53.03.0168				
M2-25	24.16.1025	LOCK WASHER, M2.5	ANY		ANY	R2-19	57.11.4152	1.5K	2%		ANY	XIC-48	53.03.0168					XIC-48	53.03.0168				
M2-26	24.16.1025	LOCK WASHER, M2.5	ANY		ANY	R2-20	57.11.4152	1.5K	2%		ANY	XIC-49	53.03.0168					XIC-49	53.03.0168				
M2-27	24.16.1025	LOCK WASHER, M2.5	ANY		ANY	R2-21	57.11.4152	1.5K	2%		ANY	XIC-50	53.03.0168					XIC-50	53.03.0168				
M2-28	24.16.1025	LOCK WASHER, M2.5	ANY		ANY	R2-22	57.11.4152	1.5K	2%		ANY	XIC-51	53.03.0168					XIC-51	53.03.0168				
M2-29	24.16.1025	LOCK WASHER, M2.5	ANY		ANY	R2-23	57.11.4152	1.5K	2%		ANY	XIC-52	53.03.0168					XIC-52	53.03.0168				
M2-30	24.16.1025	LOCK WASHER, M2.5	ANY		ANY	R2-24	57.11.4152	1.5K	2%		ANY	XIC-53	53.03.0168					XIC-53	53.03.0168				
M2-31	24.16.1025	LOCK WASHER, M2.5	ANY		ANY	R2-25	57.11.4152	1.5K	2%		ANY	XIC-54	53.03.0168					XIC-54	53.03.0168				
M2-32	24.16.1025	LOCK WASHER, M2.5	ANY		ANY	R2-26	57.11.4152	1.5K	2%		ANY	XIC-55	53.03.0168					XIC-55	53.03.0168				
M2-33	24.16.1025	LOCK WASHER, M2.5	ANY		ANY	R2-27	57.11.4152	1.5K	2%		ANY	XIC-56	53.03.0168					XIC-56	53.03.0168				
M2-34	24.16.1025	LOCK WASHER, M2.5	ANY		ANY	R2-28	57.11.4152	1.5K	2%		ANY	XIC-57	53.03.0168					XIC-57	53.03.0168				
M2-35	24.16.1025	LOCK WASHER, M2.5	ANY		ANY	R2-29	57.11.4152	1.5K	2%		ANY	XIC-58	53.03.0168					XIC-58	53.03.0168				
M2-36	24.16.1025	LOCK WASHER, M2.5	ANY		ANY	R2-30	57.11.4152	1.5K	2%		ANY	XIC-59	53.03.0168					XIC-59	53.03.0168				
M2-37	24.16.1025	LOCK WASHER, M2.5	ANY		ANY	R2-31	57.11.4152	1.5K	2%		ANY	XIC-60	53.03.0168					XIC-60	53.03.0168				
M2-38	24.16.1025	LOCK WASHER, M2.5	ANY		ANY	R2-32	57.11.4152	1.5K	2%		ANY	XIC-61	53.03.0168					XIC-61	53.03.0168				
M2-39	24.16.1025	LOCK WASHER, M2.5	ANY		ANY	R2-33	57.11.4152	1.5K	2%		ANY	XIC-62	53.03.0168					XIC-62	53.03.0168				
M2-40	24.16.1025	LOCK WASHER, M2.5	ANY		ANY	R2-34	57.11.4152	1.5K	2%		ANY	XIC-63	53.03.0168					XIC-63	53.03.0168				
M2-41	24.16.1025	LOCK WASHER, M2.5	ANY		ANY	R2-35	57.11.4152	1.5K	2%		ANY	XIC-64	53.03.0168					XIC-64	53.03.0168				
M2-42	24.16.1025	LOCK WASHER, M2.5	ANY		ANY	R2-36	57.11.4152	1.5K	2%		ANY	XIC-65	53.03.0168					XIC-65	53.03.0168				
M2-43	24.16.1025	LOCK WASHER, M2.5	ANY		ANY	R2-37	57.11.4152	1.5K	2%		ANY	XIC-66	53.03.0168					XIC-66	53.03.0168				
M2-44	24.16.1025	LOCK WASHER, M2.5	ANY		ANY	R2-38	57.11.4152	1.5K	2%		ANY	XIC-67	53.03.0168					XIC-67	53.03.0168				
M2-45	24.16.1025	LOCK WASHER, M2.5	ANY		ANY	R2-39	57.11.4152	1.5K	2%		ANY	XIC-68	53.03.0168					XIC-68	53.03.0168				
M2-46	24.16.1025	LOCK WASHER, M2.5	ANY		ANY	R2-40	57.11.4152	1.5K	2%		ANY	XIC-69	53.03.0168					XIC-69	53.03.0168				
S T U D E R (20) 85/11229 5h	ANALOG OUTPUT	1.861.751.00	PAGE 7			S T U D E R (20) 85/11229 5h	ANALOG OUTPUT	1.861.751.00	PAGE 8			S T U D E R (20) 85/11229 5h	ANALOG OUTPUT	1.861.751.00	PAGE 9			S T U D E R (20) 85/11229 5h	ANALOG OUTPUT	1.861.751.00	PAGE 10		

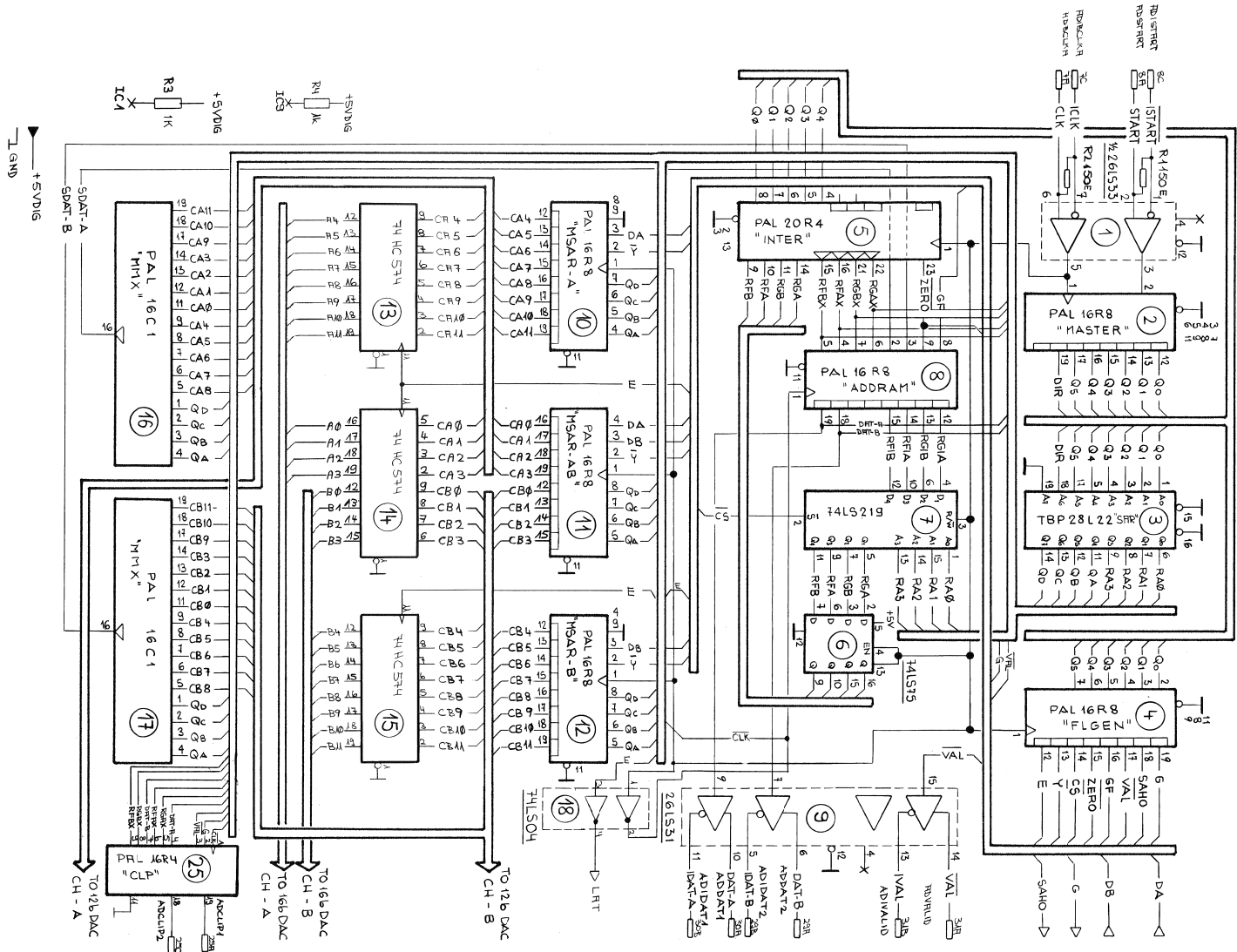
IND.	POS.ND.	PART NO.	VALUE	SPECIFICATIONS / EQUIVALENT	MANUF.	IND.	POS.ND.	PART NO.	VALUE	SPECIFICATIONS / EQUIVALENT	MANUF.	IND.	POS.ND.	PART NO.	VALUE	SPECIFICATIONS / EQUIVALENT	MANUF.	IND.	POS.ND.	PART NO.	VALUE	SPECIFICATIONS / EQUIVALENT	MANUF.
M2-47	1.861.751.02	PCB	SL		ANY	R2-41	57.11.4152	1.5K	2%		ANY	XIC-70	53.03.0168					XIC-70	53.03.0168				
M2-48	1.861.751.03	LABEL "FUSE T1-004"	SL		ANY	R2-42	57.11.4152	1.5K	2%		ANY	XIC-71	53.03.0168					XIC-71	53.03.0168				
M2-49	1.861.751.03	LABEL "FUSE T1-004"	SL		ANY	R2-43	57.11.4152	1.5K	2%		ANY	XIC-72	53.03.0168					XIC-72	53.03.0168				
M2-50	1.861.751.03	LABEL "FUSE T1-004"	SL		ANY	R2-44	57.11.4152	1.5K	2%		ANY	XIC-73	53.03.0168					XIC-73	53.03.0168				
M2-51	1.861.751.03	LABEL "FUSE T1-004"	SL		ANY	R2-45	57.11.4152	1.5K	2%		ANY	XIC-74	53.03.0168					XIC-74	53.03.0168				
M2-52	1.861.751.03	LABEL "FUSE T1-004"	SL		ANY	R2-46	57.11.4152	1.5K	2%		ANY	XIC-75	53.03.0168					XIC-75	53.03.0168				
M2-53	37.01.0101	ESD LABEL	ANY		ANY	R2-47	57.11.4152	1.5K	2%		ANY	XIC-76	53.03.0168					XIC-76	53.03.0168				
M2-54	37.01.0101	LOCK WASHER, D3.2/880-3	ANY		ANY	R2-48	57.11.4152	1.5K	2%		ANY	XIC-77	53.03.0168					XIC-77	53.03.0168				
M2-55	37.01.0101	LOCK WASHER, D3.2/880-3	ANY		ANY	R2-49	57.11.4152	1.5K	2%		ANY	XIC-78	53.03.0168					XIC-78	53.03.0168				
M2-56	37.01.0101	LOCK WASHER, D3.2/880-3	ANY		ANY	R2-50	57.11.4152	1.5K	2%		ANY	XIC-79	53.03.0168					XIC-79	53.03.0168				
M2-57	1.861.751.03	STAND-OFF, M2.5x4	SL		ANY	R2-51	57.11.4152	1.5K	2%		ANY	XIC-80	53.03.0168					XIC-80	53.03.0168				
M2-58	1.861.751.03	STAND-OFF, M2.5x4	SL		ANY	R2-52	57.11.4152	1.5K	2%		ANY	XIC-81	53.03.0168					XIC-81	53.03.0168				
P-0001	54.01.0358	CARD CONNECTOR, 3X32 EURO SOLDERING	ANY		ANY	R2-53	57.11.4152	1.5K	2%		ANY	XIC-82	53.03.0168					XIC-82	53.03.0168				
P-0002	54.02.0320	TEST-POINT	ANY		ANY	R2-54	57.11.4152	1.5K	2%		ANY	XIC-83	53.03.0168					XIC-83	53.03.0168				

STUDER
 D820X
 ANALOG INPUT INPUT SECTION
 SC
 1.861.752.00
 PAGE OF

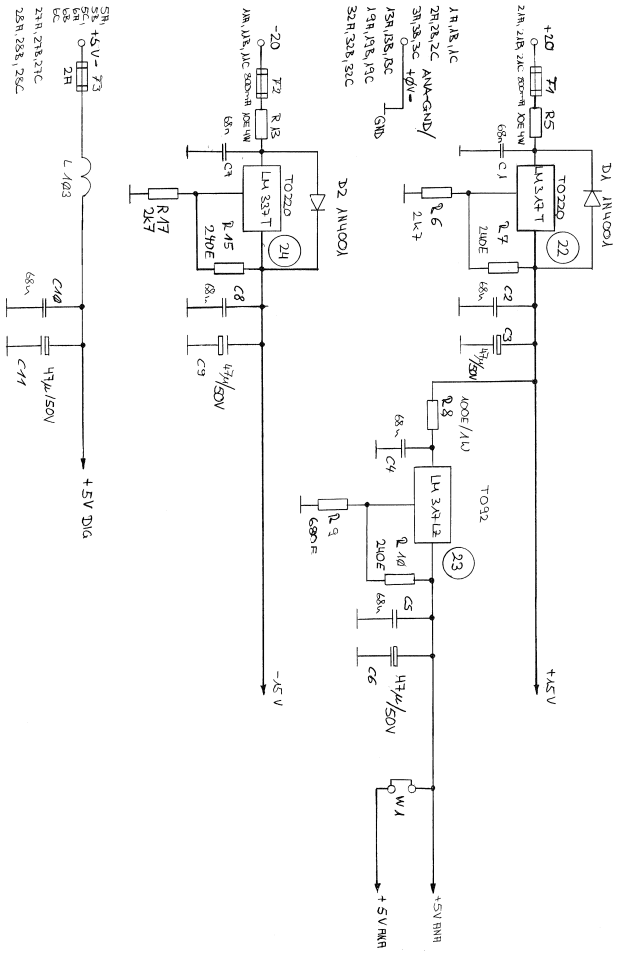




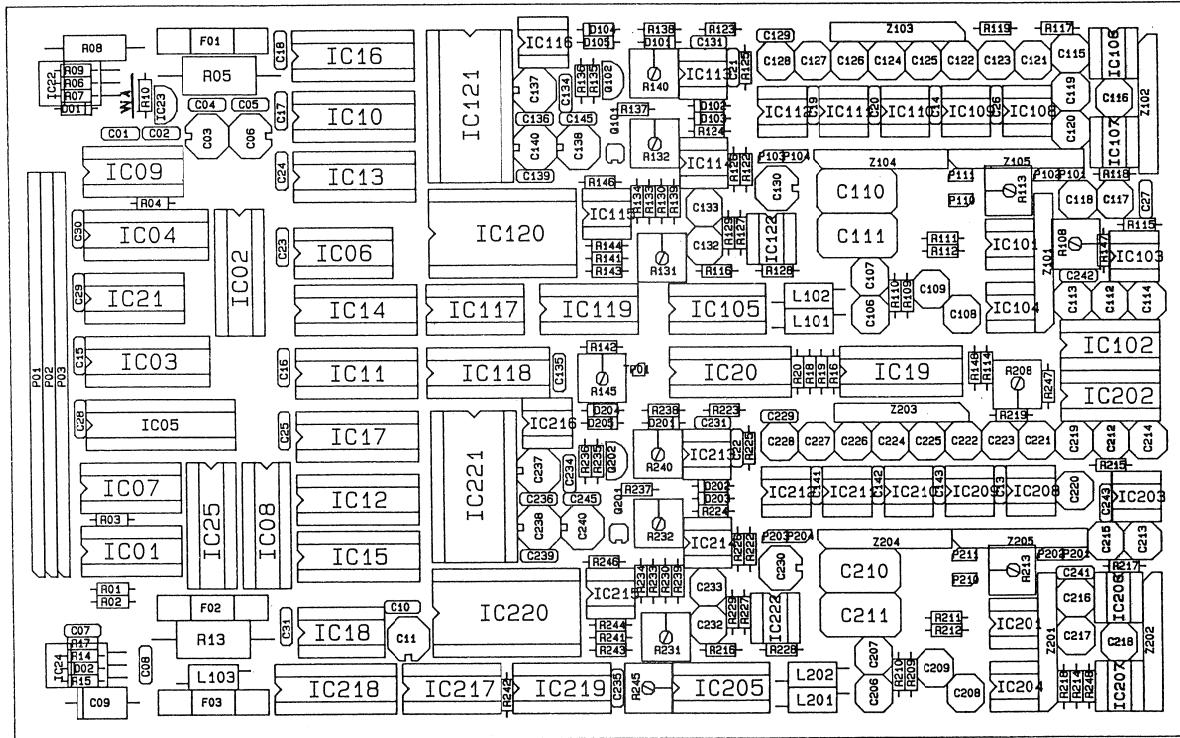
13.11.84
 STUDER
 D820X
 ANALOG INPUT CONVERTER SECTION
 1.861.752.00
 PAGE 2 OF



15-5-84	D820X	1. PC 1. 752	Y Haswuerli
STUDER		ANALOG INPUT DIGITAL SECTION	PAGE OF



① 26 5.84 A.H.6	○ ..	○ ..	○ ..	○ ..
D820X			PAGE 5 OF	
STUDER	ANALOG INPUT STABILIZER SECTI.	51	1.861.752.00	



IND.	POS.ND.	PART NO.	VALUE	SPECIFICATIONS / EQUIVALENT	MANUF.
D++101	50-04-1119			Z-00DEE 15V 10Z	ANY
D++102	50-04-1112			Z-00DEE 5-1V 10Z	ANY
D++103	50-04-1112			Z-00DEE 5-1V 10Z	ANY
D++104	50-04-1125			IN 4448	ANY
D++105	50-04-1125			IN 4448	ANY
D++106	50-04-1125			Z-00DEE 15V 10Z	ANY
D++107	50-04-1112			Z-00DEE 5-1V 10Z	ANY
D++108	50-04-1125			Z-00DEE 5-1V 10Z	ANY
D++109	50-04-1125			IN 4448	ANY
D++110	50-04-1125			IN 4448	ANY
F++101	51-01-0116			SLDM 9L0M, 0:DA	ANY
F++102	51-01-0116			SLDM 9L0M, 0:DA	ANY
F++103	51-01-0120			SLDM 9L0M, 2A	ANY
IC++101	50-15-0109			AM 15 LS 33 PE	AND
IC++102	50-18-0012			PAL 16 R B A-2CN	(18614420) MHI
IC++103	50-11-1114			TRP 28 L 22 A	(18614420) MHI
IC++104	50-18-0012			PAL 16 R B A-2CN	(18614420) MHI
IC++105	50-18-0012			PAL 20 R A	(18614420) MHI
IC++106	50-18-0012			SN 74 LS 75	(18614420) MHI
IC++107	50-18-0012			SN 74 LS 259A, RAM	ANY
IC++108	50-18-0012			PAL 16 R B A-2CN	(186144520) MHI
IC++109	50-18-0012			PAL 16 R B A-2CN	AND
IC++110	50-18-0012			PAL 16 R B A-2CN	(186144220) MHI
IC++111	50-18-0012			PAL 16 R B A-2CN	(18614420) MHI
IC++112	50-18-0012			PAL 16 R B A-2CN	(18614420) MHI
IC++113	50-11-1174			74 HC 574	ANY
IC++114	50-11-1174			74 HC 574	ANY
IC++115	50-11-1174			74 HC 574	ANY
IC++116	50-18-0012			PAL 16 C 1-2CN	(186144820) MHI
IC++117	50-18-0012			PAL 16 C 1-2CN	(186144820) MHI
IC++118	50-18-0012			SN 74 LS 322 N	ANY
IC++119	50-18-0012			SN 74 LS 322 N	ANY
IC++120	50-18-0012			PAL 16 R B A-2 CN	(186145020) MHI
IC++121	50-15-0109			AM 15 LS 33 PE	AND
IC++122	50-15-0109			AM 15 L 1 T, TD 220	ANY

IND.	POS.ND.	PART NO.	VALUE	SPECIFICATIONS / EQUIVALENT	MANUF.
IC++23	50-10-0108			LM 317 L2, TD 92	ANY
IC++24	50-10-0108			LM 317 T, TD 220	ANY
IC++25	50-18-0012			PAL 16 R B A-2 CN	(186145120) MHI
IC++101	50-09-0108			NE 5532 AN	ANY
AD 1024	50-09-0108			AD 7524 JN	AD
IC++103	50-09-0108			NE 5532 AN	ANY
IC++104	50-09-0108			NE 5532 AN	ANY
IC++105	50-09-0108			NE 5532 AN	ANY
IC++106	50-09-0108			NE 5532 AN	ANY
IC++107	50-09-0108			NE 5532 AN	ANY
IC++108	50-09-0108			NE 5532 AN	ANY
IC++109	50-09-0108			NE 5532 AN	ANY
IC++110	50-09-0108			NE 5532 AN	ANY
IC++111	50-09-0108			NE 5532 AN	ANY
IC++112	50-09-0108			NE 5532 AN	ANY
IC++113	50-09-0108			TL 071	ANY
IC++114	50-09-0108			HA 201-HS-5	HA
IC++115	50-09-0108			HA 201-HS-5	HA
IC++116	50-09-0108			HA 201-HS-5	HA
IC++117	50-09-0108			HA 201-HS-5	HA
IC++118	50-09-0108			HA 201-HS-5	HA
IC++119	50-09-0108			HA 201-HS-5	HA
IC++120	50-09-0108			HA 201-HS-5	HA
IC++121	50-09-0108			HA 201-HS-5	HA
IC++122	50-09-0108			HA 201-HS-5	HA
IC++123	50-09-0108			HA 201-HS-5	HA
IC++124	50-09-0108			HA 201-HS-5	HA
IC++125	50-09-0108			HA 201-HS-5	HA
IC++126	50-09-0108			HA 201-HS-5	HA
IC++127	50-09-0108			HA 201-HS-5	HA
IC++128	50-09-0108			HA 201-HS-5	HA
IC++129	50-09-0108			HA 201-HS-5	HA
IC++130	50-09-0108			HA 201-HS-5	HA
IC++131	50-09-0108			HA 201-HS-5	HA
IC++132	50-09-0108			HA 201-HS-5	HA
IC++133	50-09-0108			HA 201-HS-5	HA
IC++134	50-09-0108			HA 201-HS-5	HA
IC++135	50-09-0108			HA 201-HS-5	HA
IC++136	50-09-0108			HA 201-HS-5	HA
IC++137	50-09-0108			HA 201-HS-5	HA
IC++138	50-09-0108			HA 201-HS-5	HA
IC++139	50-09-0108			HA 201-HS-5	HA
IC++140	50-09-0108			HA 201-HS-5	HA
IC++141	50-09-0108			HA 201-HS-5	HA
IC++142	50-09-0108			HA 201-HS-5	HA
IC++143	50-09-0108			HA 201-HS-5	HA
IC++144	50-09-0108			HA 201-HS-5	HA
IC++145	50-09-0108			HA 201-HS-5	HA
IC++146	50-09-0108			HA 201-HS-5	HA
IC++147	50-09-0108			HA 201-HS-5	HA
IC++148	50-09-0108			HA 201-HS-5	HA
IC++149	50-09-0108			HA 201-HS-5	HA
IC++150	50-09-0108			HA 201-HS-5	HA
IC++151	50-09-0108			HA 201-HS-5	HA
IC++152	50-09-0108			HA 201-HS-5	HA
IC++153	50-09-0108			HA 201-HS-5	HA
IC++154	50-09-0108			HA 201-HS-5	HA
IC++155	50-09-0108			HA 201-HS-5	HA
IC++156	50-09-0108			HA 201-HS-5	HA
IC++157	50-09-0108			HA 201-HS-5	HA
IC++158	50-09-0108			HA 201-HS-5	HA
IC++159	50-09-0108			HA 201-HS-5	HA
IC++160	50-09-0108			HA 201-HS-5	HA
IC++161	50-09-0108			HA 201-HS-5	HA
IC++162	50-09-0108			HA 201-HS-5	HA
IC++163	50-09-0108			HA 201-HS-5	HA
IC++164	50-09-0108			HA 201-HS-5	HA
IC++165	50-09-0108			HA 201-HS-5	HA
IC++166	50-09-0108			HA 201-HS-5	HA
IC++167	50-09-0108			HA 201-HS-5	HA
IC++168	50-09-0108			HA 201-HS-5	HA
IC++169	50-09-0108			HA 201-HS-5	HA
IC++170	50-09-0108			HA 201-HS-5	HA
IC++171	50-09-0108			HA 201-HS-5	HA
IC++172	50-09-0108			HA 201-HS-5	HA
IC++173	50-09-0108			HA 201-HS-5	HA
IC++174	50-09-0108			HA 201-HS-5	HA
IC++175	50-09-0108			HA 201-HS-5	HA
IC++176	50-09-0108			HA 201-HS-5	HA
IC++177	50-09-0108			HA 201-HS-5	HA
IC++178	50-09-0108			HA 201-HS-5	HA
IC++179	50-09-0108			HA 201-HS-5	HA
IC++180	50-09-0108			HA 201-HS-5	HA
IC++181	50-09-0108			HA 201-HS-5	HA
IC++182	50-09-0108			HA 201-HS-5	HA
IC++183	50-09-0108			HA 201-HS-5	HA
IC++184	50-09-0108			HA 201-HS-5	HA
IC++185	50-09-0108			HA 201-HS-5	HA
IC++186	50-09-0108			HA 201-HS-5	HA
IC++187	50-09-0108			HA 201-HS-5	HA
IC++188	50-09-0108			HA 201-HS-5	HA
IC++189	50-09-0108			HA 201-HS-5	HA
IC++190	50-09-0108			HA 201-HS-5	HA
IC++191	50-09-0108			HA 201-HS-5	HA
IC++192	50-09-0108			HA 201-HS-5	HA
IC++193	50-09-0108			HA 201-HS-5	HA
IC++194	50-09-0108			HA 201-HS-5	HA
IC++195	50-09-0108			HA 201-HS-5	HA
IC++196	50-09-0108			HA 201-HS-5	HA
IC++197	50-09-0108			HA 201-HS-5	HA
IC++198	50-09-0108			HA 201-HS-5	HA
IC++199	50-09-0108			HA 201-HS-5	HA
IC++200	50-09-0108			HA 201-HS-5	HA
IC++201	50-09-0108			HA 201-HS-5	HA
IC++202	50-09-0108			HA 201-HS-5	HA
IC++203	50-09-0108			HA 201-HS-5	HA
IC++204	50-09-0108			HA 201-HS-5	HA
IC++205	50-09-0108			HA 201-HS-5	HA
IC++206	50-09-0108			HA 201-HS-5	HA
IC++207	50-09-0108			HA 201-HS-5	HA
IC++208	50-09-0108			HA 201-HS-5	HA
IC++209	50-09-0108			HA 201-HS-5	HA
IC++210	50-09-0108			HA 201-HS-5	HA
IC++211	50-09-0108			HA 201-HS-5	HA
IC++212	50-09-0108			HA 201-HS-5	HA
IC++213	50-09-0108			HA 201-HS-5	HA
IC++214	50-09-0108			HA 201-HS-5	HA
IC++215	50-09-0108			HA 201-HS-5	HA
IC++216	50-09-0108			HA 201-HS-5	HA
IC++217	50-09-0108			HA 201-HS-5	HA
IC++218	50-09-0108			HA 201-HS-5	HA
IC++219	50-09-0108			HA 201-HS-5	HA

IND.	POS.NO.	PART NO.	VALUE	SPECIFICATIONS / EQUIVALENT	MANUF.
HP++23	1.861.750.03	1 PCS	STAND-OFF, N2-594+5	ANY	
HP++24	1.861.750.03	1 PCS	STAND-OFF, N2-594+5	ANY	
HP++25	1.861.750.01	1 PCS	METAL PLATE	ANY	
HP++26	1.861.750.02	1 PCS	INSULATOR	ANY	
HP++27	1.861.752.11	1 PCS	PCB	54	
HP++28	1.861.752.01	1 PCS	NAME PLATE, 6.3891	54	
HP++29	1.861.752.02	1 PCS	HAFSLINK	54	
HP++30	1.861.752.03	1 PCS	STAND-OFF, N2-599	54	
HP++31	1.861.752.03	1 PCS	STAND-OFF, N2-599	54	
HP++32	1.861.752.03	1 PCS	STAND-OFF, N2-599	54	
HP++33	1.861.752.03	1 PCS	STAND-OFF, N2-599	54	
HP++34	1.861.752.03	1 PCS	STAND-OFF, N2-599	54	
HP++35	1.861.752.03	1 PCS	STAND-OFF, N2-599	54	
HP++36	1.861.752.03	1 PCS	STAND-OFF, N2-599	54	
HP++37	37.01.001	1 PCS	LOCK WASHER, D 3.2/8P0-3	ANY	
HP++38	37.01.001	1 PCS	LOCK WASHER, D 3.2/8P0-3	ANY	
HP++39	37.01.001	1 PCS	LOCK WASHER, D 3.2/8P0-3	ANY	
HP++40	37.01.001	1 PCS	LOCK WASHER, D 3.2/8P0-3	ANY	
HP++41	50.20.005	1 PCS	INSULATOR TO-220, GREASED	ANY	
HP++42	50.20.005	1 PCS	INSULATOR TO-220, GREASED	ANY	
HP++43	50.20.004	1 PCS	FEED-THROUGH, INSULATED	ANY	
HP++44	50.20.004	1 PCS	FEED-THROUGH, INSULATED	ANY	
HP++45	21.01.035	1 PCS	SCREW, CYLIN-HEAD, M3x8	ANY	
HP++46	21.01.035	1 PCS	SCREW, CYLIN-HEAD, M3x8	ANY	
HP++47	54.01.038	1 PCS	CARD CONNECTOR, 3532 EURO SOLDERING	ANY	
HP++48	54.02.032	1 PCS	TEST-POINT	ANY	
HP++49	50.11.016	1 PCS	50, 21x D	ANY	
HP++50	50.01.027	1 PCS	MPS 4944	ANY	
HP++51	50.11.016	1 PCS	50, 21x D	ANY	
HP++52	50.01.027	1 PCS	MPS 4944	ANY	
HP++53	57.11.451	150	54	ANY	
HP++54	57.11.451	150	54	ANY	
HP++55	57.11.452	1K	54	ANY	
HP++56	57.11.452	1K	54	ANY	

S T U D E R (20) 85/11/29 5h ANALOG INPUT 1.861.752.00 PAGE 7

IND.	POS.NO.	PART NO.	VALUE	SPECIFICATIONS / EQUIVALENT	MANUF.
R++130	57.11.456	5.6k	2%	ANY	
R++131	57.11.452	3.9k	2%	ANY	
R++132	57.11.452	3.9k	2%	ANY	
R++133	57.11.452	3.9k	2%	ANY	
R++134	57.11.452	1.5M	5%	ANY	
R++140	58.01.050	50K	1%	ANY	
R++141	57.11.352	3.6k	1%	ANY	
R++142	57.11.352	3.6k	1%	ANY	
R++143	57.11.352	7.5k	1%	ANY	
R++144	57.11.424	820K	1%	ANY	
R++145	58.01.021	200K	1%	ANY	
R++146	57.11.402	1K	2%	ANY	
R++147	57.11.402	20K	1%	ANY	
R++148	57.11.392	3.9k	1%	ANY	
R++149	58.01.050	50K	1%	ANY	
R++209	57.11.362	6.8k	1%	ANY	
R++210	57.11.362	6.8k	1%	ANY	
R++211	57.11.433	33k	2%	ANY	
R++212	57.11.433	33k	2%	ANY	
R++213	58.01.021	200K	1%	ANY	
R++214	57.11.362	6.8k	1%	ANY	
R++215	57.11.352	3.6k	1%	ANY	
R++216	57.11.352	5.1k	1%	ANY	
R++217	57.11.322	1.2k	1%	ANY	
R++219	57.11.405	1M	5%	ANY	
R++222	57.11.422	2.2k	2%	ANY	
R++223	57.11.471	470K	2%	ANY	
R++224	57.11.422	2.2k	2%	ANY	
R++225	57.11.261	240K	2%	ANY	
R++226	57.11.422	1.2k	2%	ANY	
R++230	57.11.352	5.1k	1%	ANY	
R++231	58.01.010	10K	1%	ANY	
R++232	58.01.010	10K	1%	ANY	
R++233	57.11.362	3.6k	2%	ANY	
R++234	57.11.422	2.2k	2%	ANY	
R++235	57.11.302	2k	2%	ANY	
R++236	57.11.456	5.6k	2%	ANY	

S T U D E R (20) 85/11/29 5h ANALOG INPUT 1.861.752.00 PAGE 9

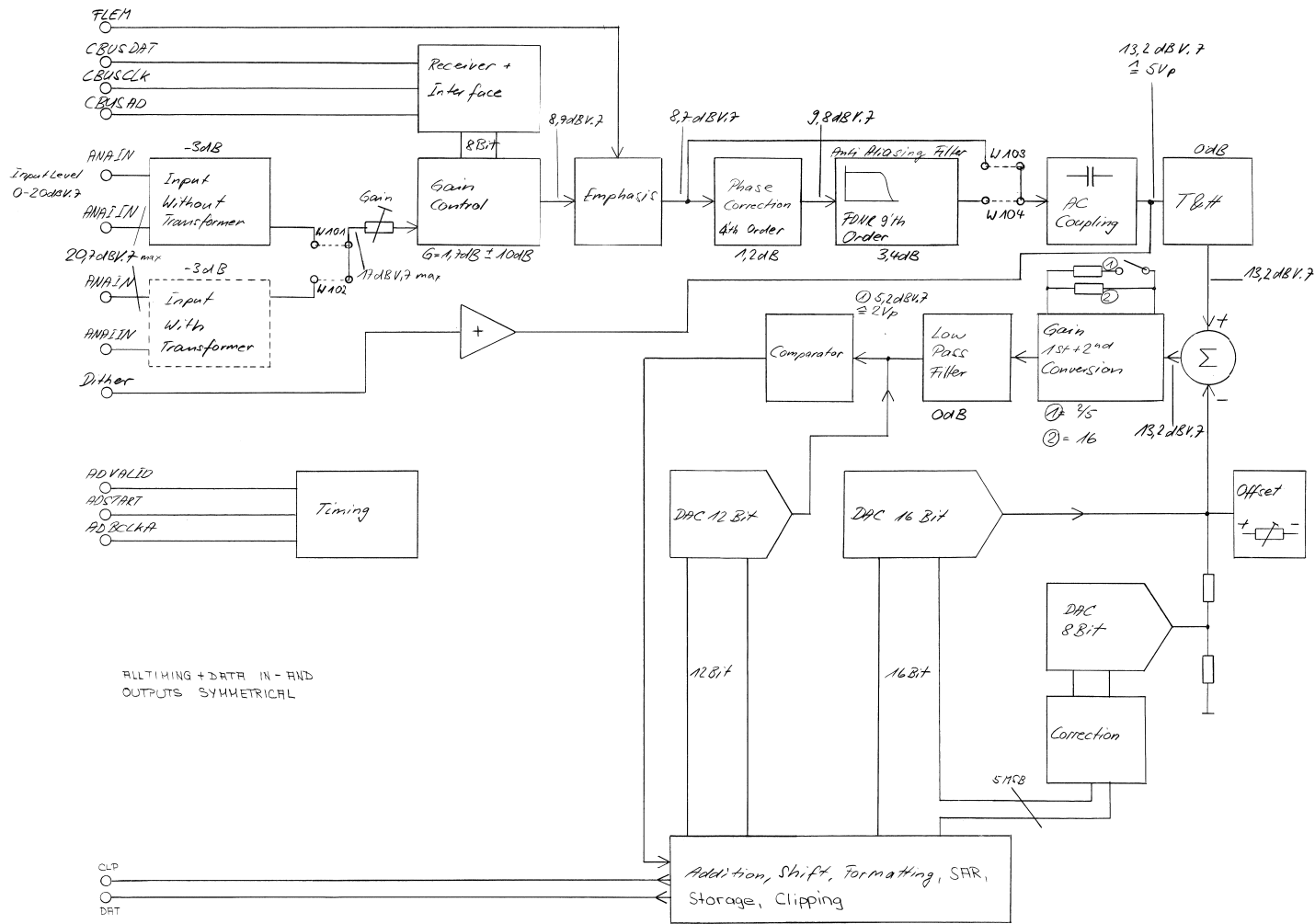
IND.	POS.NO.	PART NO.	VALUE	SPECIFICATIONS / EQUIVALENT	MANUF.
RF++48	53.03.042			CLAMP	ANY
RF++49	53.03.046			DIL 16-PIN	ANY
RF++50	53.03.046			DIL 16-PIN	ANY
RF++51	53.03.046			DIL 16-PIN	ANY
RF++52	53.03.046			DIL 16-PIN	ANY
RF++53	53.03.046			DIL 16-PIN	ANY
RF++54	53.03.046			DIL 16-PIN	ANY
RF++55	53.03.046			DIL 16-PIN	ANY
RF++56	53.03.046			DIL 16-PIN	ANY
RF++57	53.03.046			DIL 16-PIN	ANY
RF++58	53.03.046			DIL 16-PIN	ANY
RF++59	53.03.046			DIL 16-PIN	ANY
RF++60	53.03.046			DIL 16-PIN	ANY
RF++61	53.03.046			DIL 16-PIN	ANY
RF++62	53.03.046			DIL 16-PIN	ANY
RF++63	53.03.046			DIL 16-PIN	ANY
RF++64	53.03.046			DIL 16-PIN	ANY
RF++65	53.03.046			DIL 16-PIN	ANY
RF++66	53.03.046			DIL 16-PIN	ANY
RF++67	53.03.046			DIL 16-PIN	ANY
RF++68	53.03.046			DIL 16-PIN	ANY
RF++69	53.03.046			DIL 16-PIN	ANY
RF++70	53.03.046			DIL 16-PIN	ANY
RF++71	53.03.046			DIL 16-PIN	ANY
RF++72	53.03.046			DIL 16-PIN	ANY
RF++73	53.03.046			DIL 16-PIN	ANY
RF++74	53.03.046			DIL 16-PIN	ANY
RF++75	53.03.046			DIL 16-PIN	ANY
RF++76	53.03.046			DIL 16-PIN	ANY
RF++77	53.03.046			DIL 16-PIN	ANY
RF++78	53.03.046			DIL 16-PIN	ANY
RF++79	53.03.046			DIL 16-PIN	ANY
RF++80	53.03.046			DIL 16-PIN	ANY
RF++81	53.03.046			DIL 16-PIN	ANY
RF++82	53.03.046			DIL 16-PIN	ANY
RF++83	53.03.046			DIL 16-PIN	ANY
RF++84	53.03.046			DIL 16-PIN	ANY
RF++85	53.03.046			DIL 16-PIN	ANY
RF++86	53.03.046			DIL 16-PIN	ANY
RF++87	53.03.046			DIL 16-PIN	ANY
RF++88	53.03.046			DIL 16-PIN	ANY
RF++89	53.03.046			DIL 16-PIN	ANY
RF++90	53.03.046			DIL 16-PIN	ANY
RF++91	53.03.046			DIL 16-PIN	ANY
RF++92	53.03.046			DIL 16-PIN	ANY
RF++93	53.03.046			DIL 16-PIN	ANY
RF++94	53.03.046			DIL 16-PIN	ANY
RF++95	53.03.046			DIL 16-PIN	ANY
RF++96	53.03.046			DIL 16-PIN	ANY
RF++97	53.03.046			DIL 16-PIN	ANY
RF++98	53.03.046			DIL 16-PIN	ANY
RF++99	53.03.046			DIL 16-PIN	ANY
RF++100	53.03.046			DIL 16-PIN	ANY

S T U D E R (20) 85/11/29 5h ANALOG INPUT 1.861.752.00 PAGE 11

IND.	POS.NO.	PART NO.	VALUE	SPECIFICATIONS / EQUIVALENT	MANUF.
REMARKS	NOTE 1	FACTORY PROGRAMMED AND PAIRED WITH PCM 53 JG-1			
MANUFACTURERS:					
SE = STUDER		NHE = NONVOLATILES MEMORIES			
Rey = REYSBAG		AMD = ADVANCED MICRO DEVICES			
PN = PRECISION		PMI = PRECISION MONOLITHICS			
BB = BURR-BROWN		MOT = MOTOROLA			
AD = ANALOG DEVICE		RAF = RAYFON			
HA = HARRIS		SIG = SIGNETICS			
ABBREVIATIONS:					
CER = CERAMIC / EL = ELECTROLYTIC / PP = POLYPROPYLENEFOL					
MPC = METAL POLYCARBONAT / IIC = IC SOCKET / XP = CLAMP FOR FUSES					
REG 85/11/29					

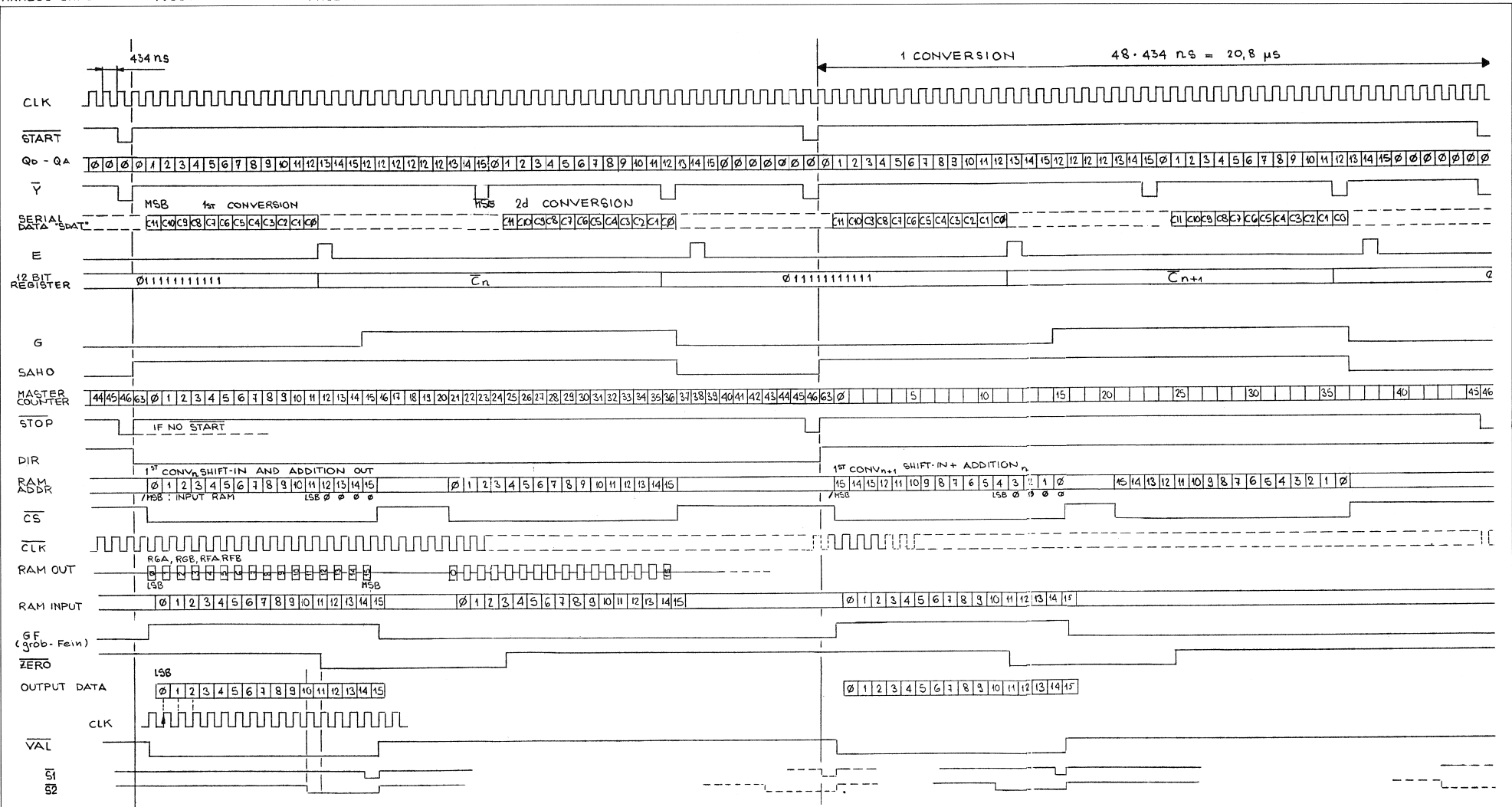
S T U D E R (20) 85/11/29 5h ANALOG INPUT 1.861.752.00 PAGE 13

IND.	POS.NO.	PART NO.	VALUE	SPECIFICATIONS / EQUIVALENT	MANUF.
R++237	57.11.432	3.9k	2%	ANY	
R++238	57.11.392	3.9k	2%	ANY	
R++239	57.11.352	3.6k	1%	ANY	
R++240	58.01.050	50K	1%	ANY	
R++241	57.11.352	3.6k	1%	ANY	
R++242	57.11.362	6.8k	1%	ANY	
R++243	57.11.362	6.8k	1%	ANY	
R++244	57.11.424	820K	1%	ANY	
R++245	58.01.021	200K	1%	ANY	
R++246	57.11.402	1K	2%	ANY	
R++247	57.11.392	3.9k	1%	ANY	
R++248	57.11.392	3.9k	1%	ANY	
RF++101	1.010.016-57			BEY 4317A INPUT	BEY
RF++102	1.010.016-57			BEY 4316A PHASE	BEY
RF++103	1.010.016-57			BEY 4316A PHASE 1	BEY
RF++104	1.010.016-57			BEY 4316A PHASE 2	BEY
RF++105	1.010.016-57			BEY 4315A PHASE 1	BEY
RF++106	1.010.016-57			BEY 4315A PHASE 2	BEY
RF++107	1.010.016-57			BEY 4316A PHASE 1	BEY
RF++108	1.010.016-57			BEY 4316A PHASE 2	BEY
RF++109	1.010.016-57			BEY 4315A PHASE 1	BEY
RF++110	1.010.016-57			BEY 4315A PHASE 2	BEY
RF++111	1.010.016-57			BEY 4316A PHASE 1	BEY
RF++112	1.010.016-57			BEY 4316A PHASE 2	BEY
RF++113	1.010.016-57			BEY 4315A PHASE 1	BEY
RF++114	1.010.016-57			BEY 4315A PHASE 2	BEY
RF++115	1.010.016-57			BEY 4316A PHASE 1	BEY
RF++116	1.010.016-57			BEY 4316A PHASE 2	BEY
RF++117	1.010.016-57			BEY 4315A PHASE 1	BEY
RF++118	1.010.016-57			BEY 4315A PHASE 2	BEY
RF++119	1.010.016-57			BEY 4316A PHASE 1	BEY
RF++120	1.010.016-57			BEY 4316A PHASE 2	BEY
RF++121	1.010.016-57			BEY 4315A PHASE 1	BEY
RF++122	1.010.016-57			BEY 4315A PHASE 2	BEY
RF++123	1.010.016-57			BEY 4316A PHASE 1	BEY
RF++124	1.010.016-57			BEY 4316A PHASE 2	BEY
RF++125	1.010.016-57			BEY 4315A PHASE 1	BEY
RF++126	1.010.016-57			BEY 4315A PHASE 2	BEY
RF++127	1.010.016-57			BEY 4316A PHASE 1	BEY
RF++128	1.010.016-57			BEY 4316A PHASE 2	BEY
RF++129	1.010.016-57			BEY 4315A PHASE 1	BEY
RF++130	1.010.016-57			BEY 4315A PHASE 2	BEY
RF++131	1.010.016-57			BEY 4316A PHASE 1	BEY
RF++132	1.010.016-57			BEY 4316A PHASE 2	BEY
RF++133	1.010.016-57			BEY 4315A PHASE 1	BEY
RF++134	1.010.016-57			BEY 4315A PHASE 2	BEY
RF++135	1.010.016-57			BEY 4316A PHASE 1	BEY
RF++136	1.010.016-57			BEY 4316A PHASE 2	BEY
RF++137	1.010.016-57			BEY 4315A PHASE 1	BEY
RF++138	1.010.016-57			BEY 4315A PHASE 2	BEY
RF++139	1.010.016-57			BEY 4316A PHASE 1	BEY
RF++140	1.010.016-57			BEY 4316A PHASE 2	BEY
RF++141	1.010.016-57			BEY 4315A PHASE 1	BEY
RF++142	1.010.016-57			BEY 4315A PHASE 2	BEY
RF++143	1.010.016-57			BEY 4316A PHASE 1	BEY
RF++144	1.010.016-57			BEY 4316A PHASE 2	BEY
RF++145	1.010.016-57			BEY 4315A PHASE 1	BEY
RF++146	1.010.016-57			BEY 4315A PHASE 2	BEY
RF++147	1.010.016-57			BEY 4316A PHASE 1	BEY
RF++148	1.010.016-57			BEY 4316A PHASE 2	BEY
RF++149	1.010.016-57			BEY 4315A PHASE 1	BEY
RF++150	1.010.016-57			BEY 4315A PHASE 2	BEY
RF++151	1.010.016-57			BEY 4316A PHASE 1	BEY
RF++152	1.010.016-57			BEY 4316A PHASE 2	BEY
RF++153	1.010.016-57			BEY 4315A PHASE 1	BEY
RF++154	1.010.016-57			BEY 4315A PHASE 2	BEY
RF++155	1.010.016-57			BEY 4316A PHASE 1	BEY
RF++156	1.010.016-57			BEY 4316A PHASE 2	BEY
RF++157	1.010.016-57			BEY 4315A PHASE 1	BEY
RF++158	1.010.016-57			BEY 4315A PHASE 2	BEY
RF++159	1.010.				

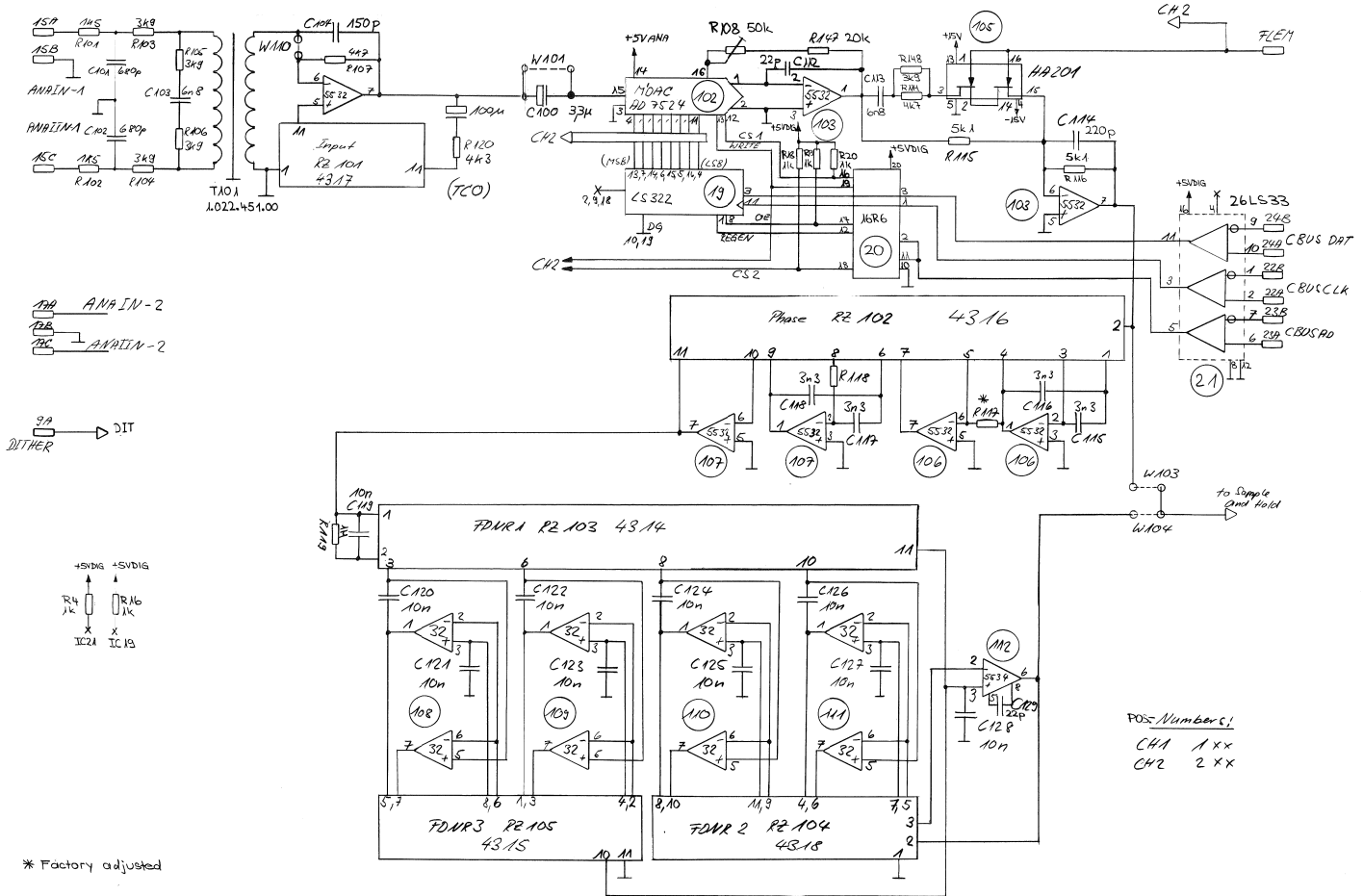


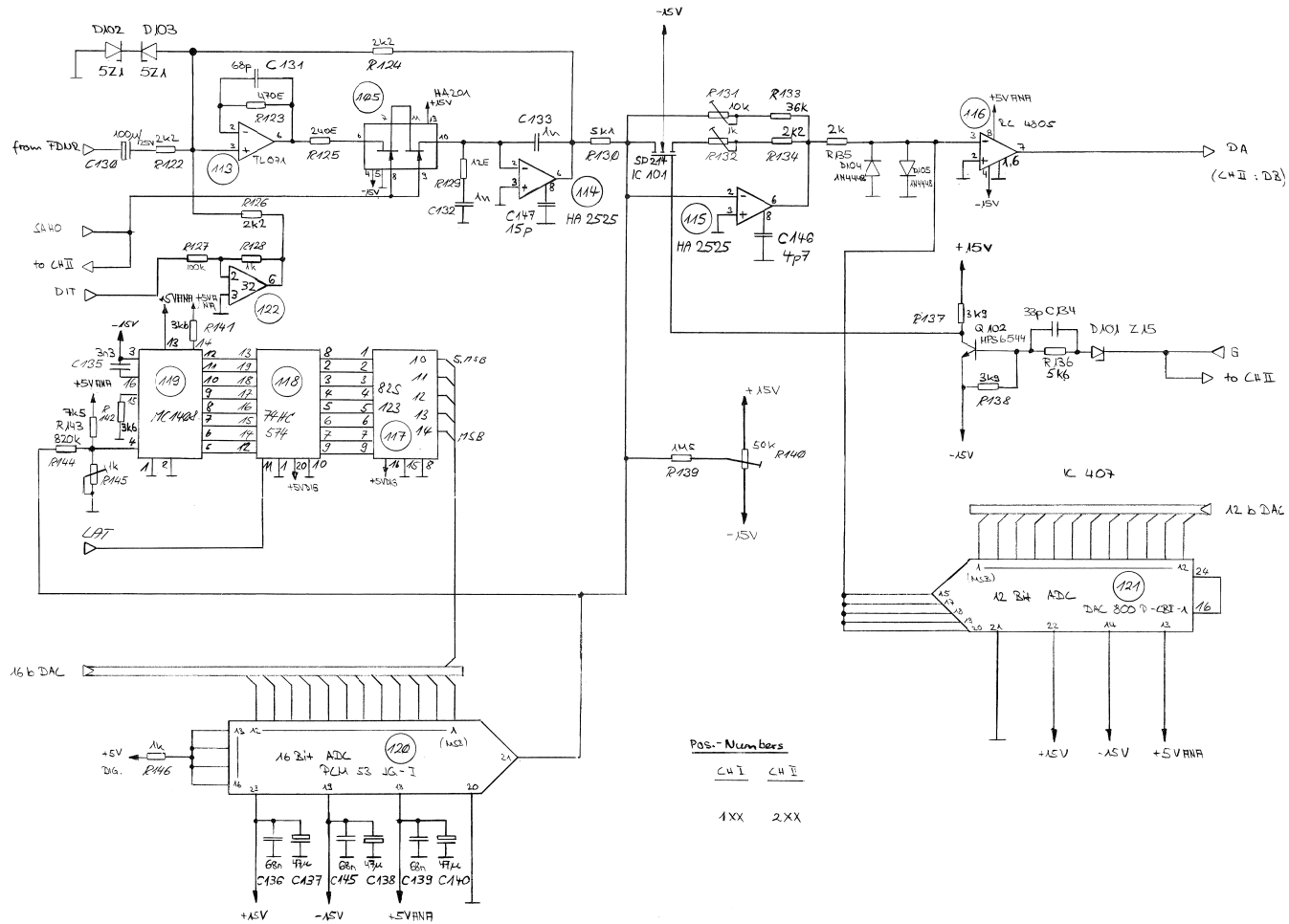
ALL TIMING + DATA IN - AND
OUTPUTS SYMMETRICAL

07.12.88	17pp	D820X	ANALOG INPUT	BLOCK DIAGRAM	1.861.752.00	PAGE 1 OF 2
STUDER						



STUDER
 D820X
 ANALOG INPUT SECTION
 SC 1.861.753.00
 PAGE 01





PAGE 2 OF

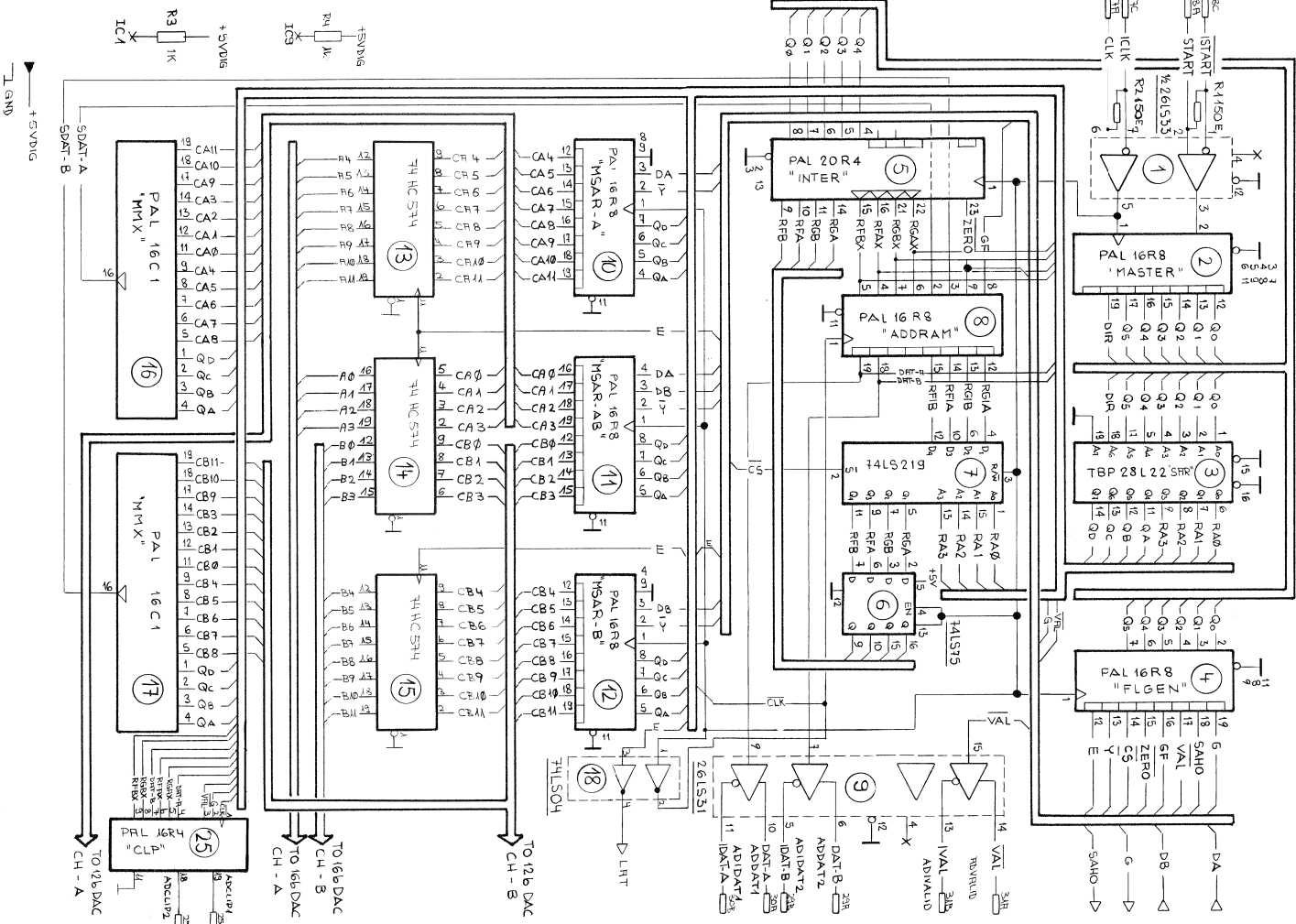
D820X

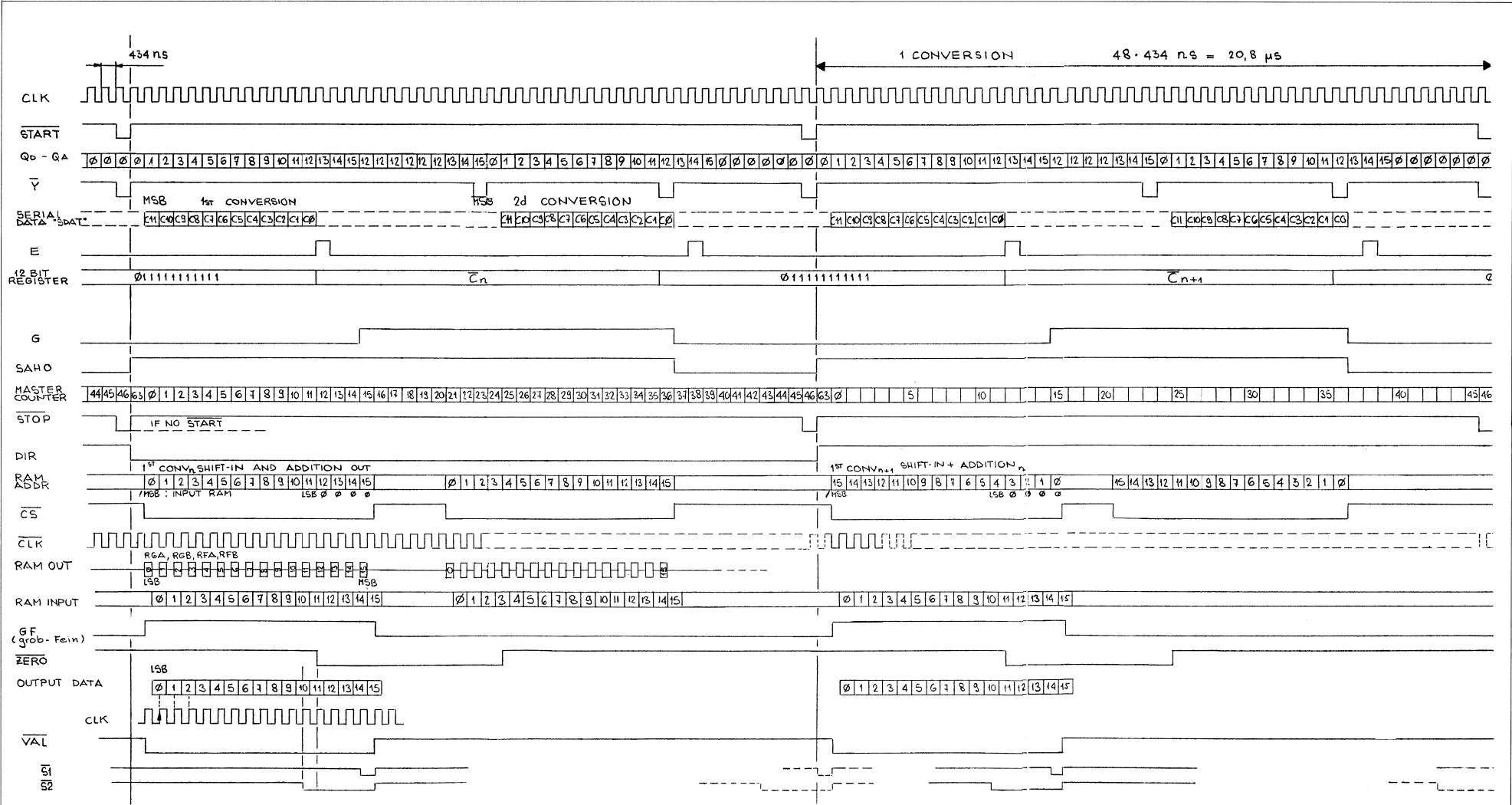
ANALOG INPUT CONVERTER SECTION

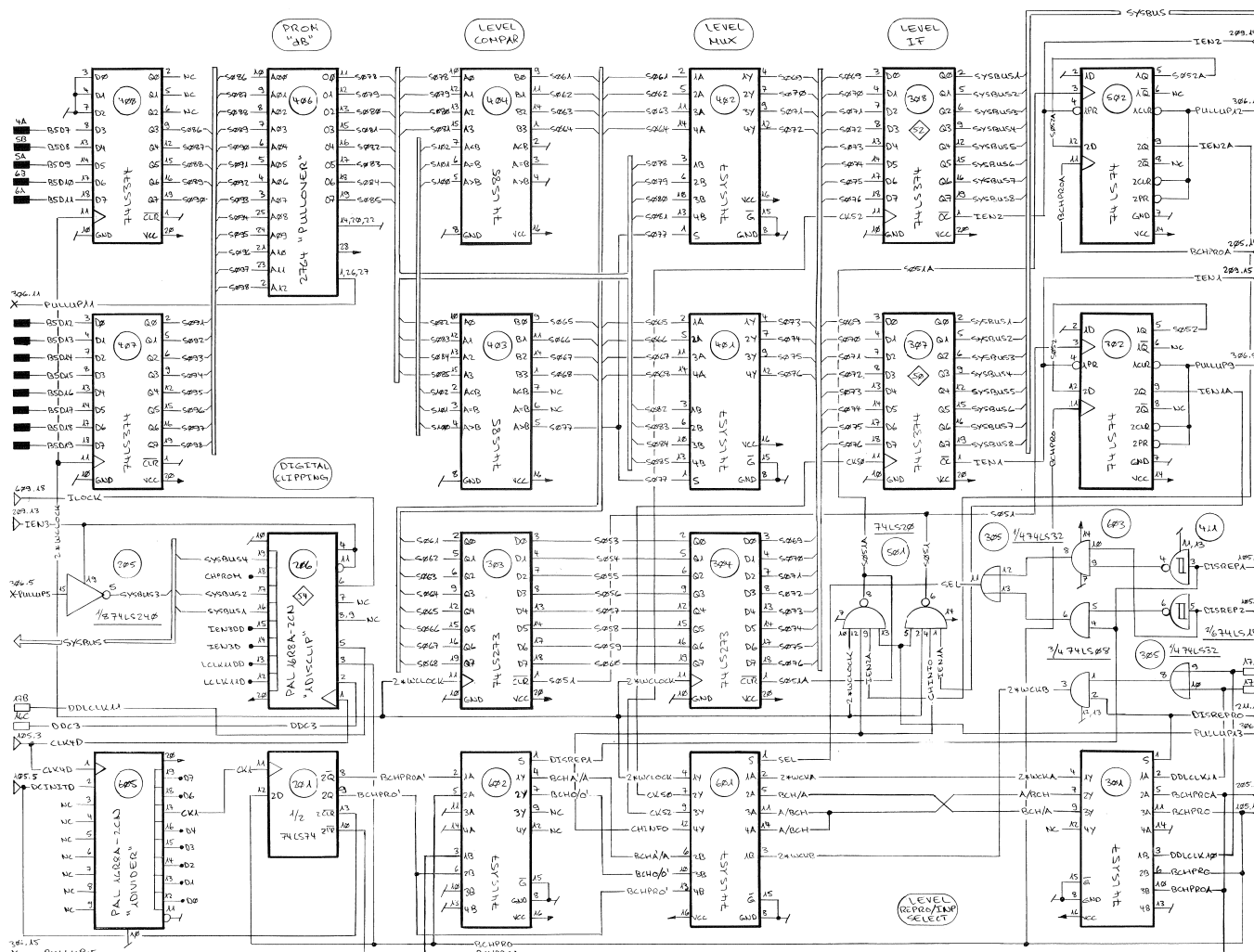
1.861.753.00

STUDER

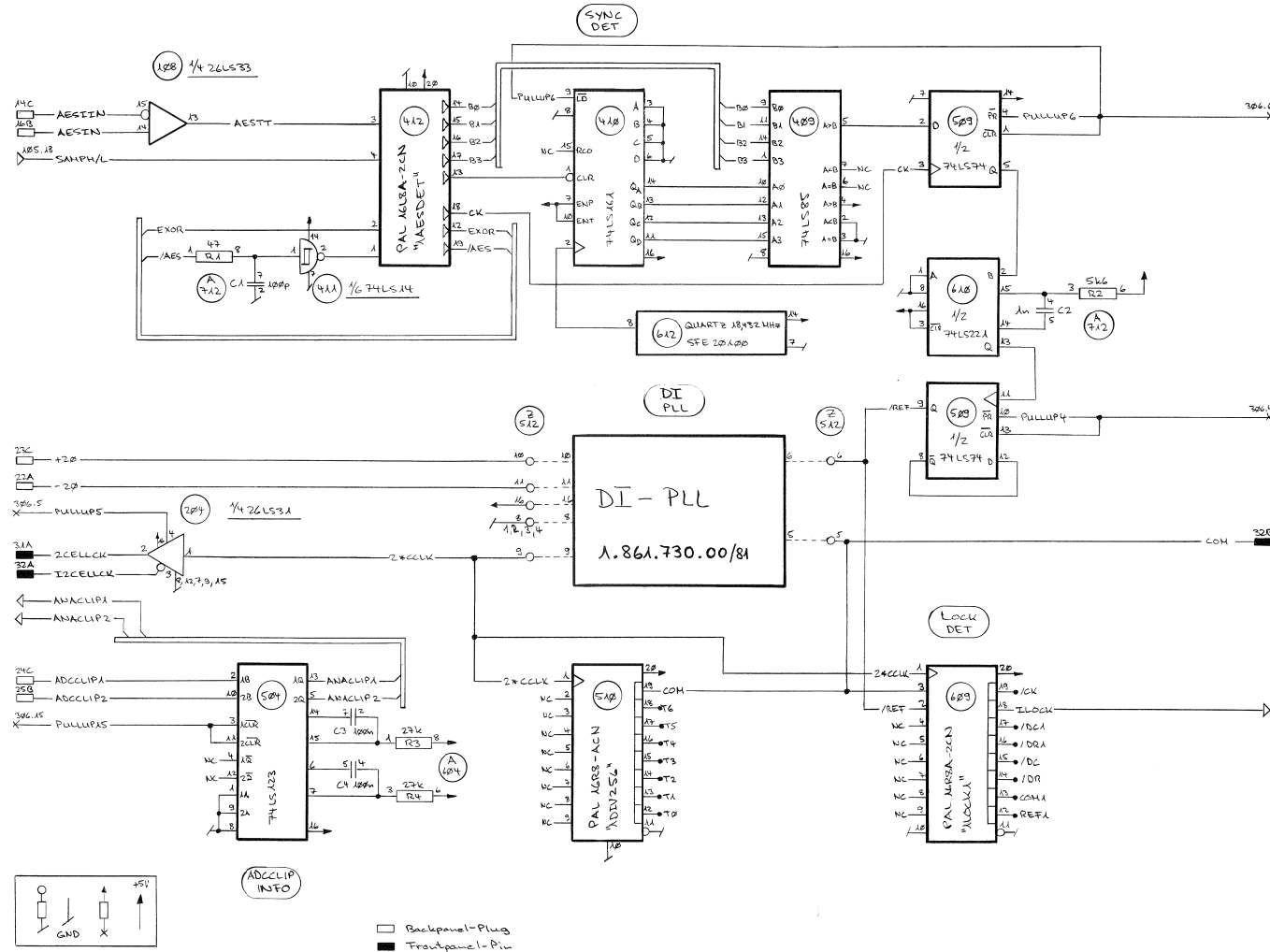
15-5-84	D820X	Y. Hasenwerth
STUDER	ANALOG Input DIGITAL SECTION	1. PG 1. 753
		PAGE OF



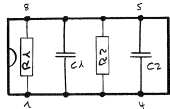




D820X
 GAINS CONTROL
 PAGE 3 OF 6
 1.861.853.00

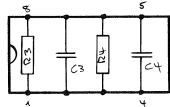


0230486 DH D820X STUDER 1.861.853.20
 GAINS CONTROL
 PAGE 4 OF 6



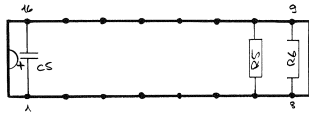
Assembly 712

$R1 = 47\Omega$
 $R2 = 5k\Omega$
 $C1 = 100p$ (Ceramic)
 $C2 = 1n$ (Ceramic)
 1.861.748.00



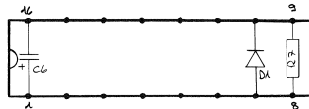
Assembly 684

$R3 = 27k$
 $R4 = 27k$
 $C3 = 100n$ (10%)
 $C4 = 100n$ (10%)
 1.861.749.00



Assembly 688

$R5 = 47\Omega$
 $R6 = 330\Omega$
 $C5 = 10\mu$
 1.861.749.00



Assembly 508

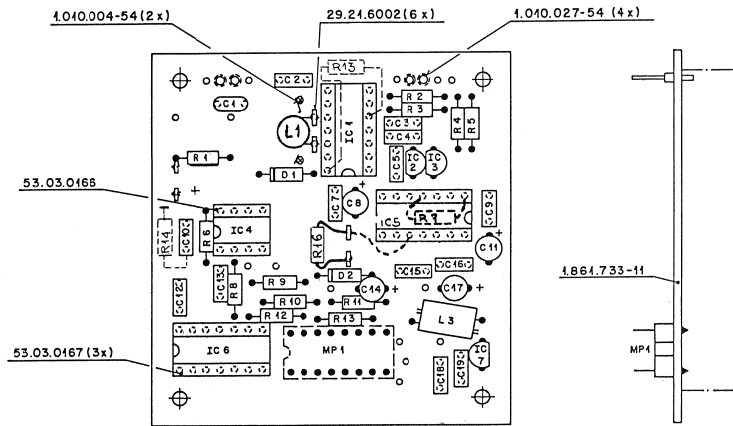
$R7 = 82k$
 $D1 = 1N4448$
 $C6 = 47\mu$
 1.861.760.00

① 25886	CH	○ ..	○ ..	○ ..
		D820X		PAGE 6 OF 6
STUDER	GAINS CONTROL		1.861.853.20	

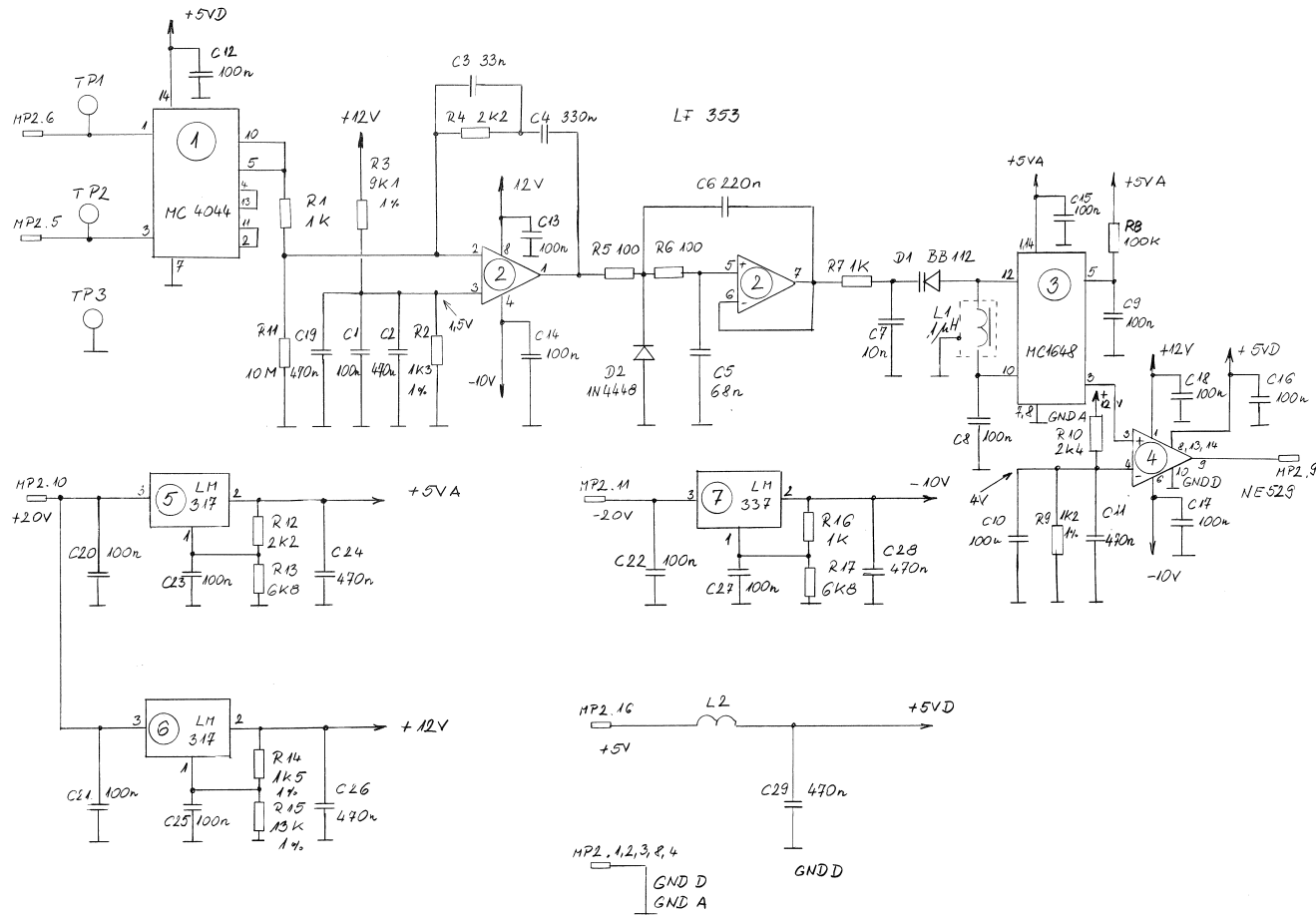
IND.	POS.NO.	PART NO.	VALUE	SPECIFICATIONS / EQUIVALENT	MANUF.	IND.	POS.NO.	PART NO.	VALUE	SPECIFICATIONS / EQUIVALENT	MANUF.	IND.	POS.NO.	PART NO.	VALUE	SPECIFICATIONS / EQUIVALENT	MANUF.	IND.	POS.NO.	PART NO.	VALUE	SPECIFICATIONS / EQUIVALENT	MANUF.		
A****	1	1.861.730.00		DI-PLL	St	IC.0303	50.06.0273	50 74 LS 273 N	ANY	MP****2	21.01.0279	SCREW CYLIND HEAD M2.5*6	ANY	MP****16	23.01.2354	SCREW COUNTERSUNK HEAD M3*6	ANY	MP****1	24.10.1030	LOCK WASHER M5	ANY	MP****16	24.10.1030	LOCK WASHER M5	ANY
A****528	1.861.740.00		ASSEMBLY 853-500	St	IC.0304	50.06.0273	50 74 LS 273 N	ANY	MP****3	21.01.0279	SCREW CYLIND HEAD M2.5*6	ANY	MP****17	24.10.1030	LOCK WASHER M3	ANY	MP****2	24.10.1030	LOCK WASHER M5	ANY	MP****18	23.01.1032	WASHER M5	ANY	
A****606	1.861.747.00		ASSEMBLY 853-606	St	IC.0305	50.06.0332	50 74 LS 32 N	ANY	MP****4	21.01.0279	SCREW CYLIND HEAD M2.5*6	ANY	MP****19	23.01.1032	WASHER M5	ANY	MP****3	24.10.1030	LOCK WASHER M3	ANY	MP****4	23.01.1032	WASHER M5	ANY	
A****732	1.861.748.00		ASSEMBLY 853-732	St	IC.0307	50.06.0374	50 74 LS 374 N	ANY	MP****5	21.01.0279	SCREW COUNTERSUNK HEAD M2.5*6	ANY	MP****20	23.01.1032	WASHER M5	ANY	MP****4	23.01.1032	WASHER M5	ANY	MP****5	23.01.1032	WASHER M5	ANY	
A****808	1.861.749.00		ASSEMBLY 853-808	St	IC.0308	50.06.0374	50 74 LS 374 N	ANY	MP****6	21.01.0279	SCREW COUNTERSUNK HEAD M2.5*6	ANY	MP****6	23.01.1032	WASHER M5	ANY	MP****7	23.01.1032	WASHER M5	ANY	MP****7	23.01.1032	WASHER M5	ANY	
C****1	59.25.3470	47U	30L 10V ELECTROLYTIC	ANY	IC.0309	50.06.0374	50 74 LS 374 N	ANY	MP****7	21.01.0279	SCREW COUNTERSUNK HEAD M2.5*6	ANY	MP****8	1.010.0254	INSULATOR M3	ANY	F****1	54.01.0354	CARD CONNECTOR 3*32 EURO WIRE WRA	ANY	F****2	1.010.0254	CONTACT PINS QTY=1002	ANY	
C****2	1.010.001.49	68N	10V 10V QTY=40	St	IC.0310	50.06.0308	50 74 LS 08 N	ANY	MP****8	21.01.0279	SCREW COUNTERSUNK HEAD M2.5*6	ANY	F****3	1.010.027.54	DUMMY PIN QTY=40	ANY	F****4	1.010.027.54	PUMP PIN QTY=64	ANY	R2+306	97.85.3102	1501K	2% 01116	ANY
F****1	51.01.0122		FUSE 3*19AT/250V 5*20mm	ANY	IC.0312	50.18.0031	PAL 18 R 8 A*2 CN	(186146220)	ANY	MP****9	24.10.1025	LOCK WASHER M2.5	ANY	EP****1	29.21.6002	TESTPOINT	ANY	EP****2	29.21.6002	TESTPOINT	ANY	EP****3	29.21.6002	TESTPOINT	ANY
IC.0131	50.18.0003		PAL 20 R 8 A*2 CN	(186144820)	ANY	IC.0401	50.06.0197	50 74 LS 197 N	ANY	MP****10	24.10.1025	LOCK WASHER M2.5	ANY	EP****4	29.21.6002	TESTPOINT	ANY	W****1	94.01.0365	11000mm WIRE WRAP TYPE	ANY	AF****1	93.03.0162	CLAMP 9*20	ANY
IC.0132	50.06.0377		SN 74 LS 377 N	ANY	IC.0402	50.06.0197	50 74 LS 197 N	ANY	MP****11	24.10.1025	LOCK WASHER M2.5	ANY	AF****2	93.03.0162	CLAMP 9*20	ANY	Y****012	89.01.0590	18.4326 MHz TTL-OUTPUT	SFE+ STC					
IC.0133	50.06.0244		SN 74 LS 244 N	ANY	IC.0403	50.06.0197	50 74 LS 197 N	ANY	MP****12	24.10.1025	LOCK WASHER M2.5	ANY													
IC.0134	50.06.0377		SN 74 LS 377 N	ANY	IC.0404	50.06.0197	50 74 LS 197 N	ANY	MP****13	29.21.1370	RIVETING NUT D2.5*5*5	ANY													
IC.0135	50.06.0244		SN 74 LS 244 N	ANY	IC.0406	50.14.0113	0.2744*3.78 482744 G-3	(186145920)	ANY	MP****14	29.21.1370	RIVETING NUT D2.5*5*5	ANY												
IC.0136	50.06.0377		SN 74 LS 377 N	ANY	IC.0407	50.06.0374	50 74 LS 374 N	ANY	MP****15	29.21.1370	RIVETING NUT D2.5*5*5	ANY													
IC.0137	50.06.0164		SN 74 LS 164 N	ANY	IC.0408	50.06.0374	50 74 LS 374 N	ANY	MP****16	28.99.0119	RIVETING NUT D2.5*5*15*10	ANY													
IC.0138	50.06.0109		AMP. 1535 RE-1535 LS33 CN	ANY	IC.0409	50.06.0308	50 74 LS 08 N	ANY	MP****17	28.99.0119	RIVETING NUT D2.5*5*15*10	ANY													
IC.0139	50.06.0138		SN 74 LS 138 N	ANY	IC.0410	50.06.0161	50 74 LS 161 N	ANY	MP****18	1.010.006.33	MARKING HANDLE	ANY													
IC.0140	50.18.0012		PAL 18 R 8 A*2 CN	(186144520)	ANY	IC.0411	50.06.0161	50 74 LS 161 N	ANY	MP****19	1.010.006.33	MARKING HANDLE	ANY												
IC.0141	50.06.0032		SN 74 LS 32 N	ANY	IC.0412	50.18.0009	PAL 18 R 8 A*2 CN	(186146420)	ANY	MP****20	1.010.006.33	FRASPERENT COVER	ANY												
IC.0142	50.18.0011		PAL 18 R 8 A*2 CN	(186144720)	ANY	IC.0501	50.06.0074	50 74 LS 74 N	ANY	MP****21	1.180.402.02	STAND-OFF M2.5*12*8	ANY												
IC.0231	50.06.0074		SN 74 LS 74 N	ANY	IC.0502	50.06.0074	50 74 LS 74 N	ANY	MP****22	1.180.402.02	STAND-OFF M2.5*12*8	ANY													
IC.0232	50.06.0074		SN 74 LS 74 N	ANY	IC.0503	50.18.0012	PAL 18 R 8 A*2 CN	(186145220)	ANY	MP****23	1.180.402.02	STAND-OFF M2.5*12*8	ANY												
IC.0233	50.06.0008		SN 74 LS 08 N	ANY	IC.0504	50.06.0123	50 74 LS 123 N	ANY	MP****24	1.180.402.02	STAND-OFF M2.5*12*8	ANY													
IC.0234	50.06.0008		AMP. 15 30 PE	ANY	IC.0509	50.06.0374	50 74 LS 374 N	ANY	MP****25	1.180.402.02	STAND-OFF M2.5*12*8	ANY													
IC.0235	50.06.0240		SN 74 LS 240 N	ANY	IC.0510	50.18.0002	PAL 18 R 8 A*2 CN	(186147420)	ANY	MP****26	1.180.402.02	STAND-OFF M2.5*12*8	ANY												
IC.0236	50.18.0012		PAL 18 R 8 A*2 CN	(186146020)	ANY	IC.0602	50.06.0197	50 74 LS 197 N	ANY	MP****27	1.180.402.02	STAND-OFF M2.5*12*8	ANY												
IC.0237	50.06.0166		SN 74 LS 166 N	ANY	IC.0603	50.06.0008	AMP. 15 30 PE	ANY	MP****28	1.180.402.02	STAND-OFF M2.5*12*8	ANY													
IC.0238	50.18.0018		AMP. 15 30 PE AMP.0	LS31 CN	IC.0605	50.18.0012	PAL 18 R 8 A*2 CN	(186146320)	ANY	MP****29	1.010.120.51	NAME PLATE 4*1391	ANY												
IC.0239	50.06.0138		SN 74 LS 138 N	ANY	IC.0606	50.06.0123	50 74 LS 123 N	ANY	MP****30	1.010.120.51	NAME PLATE 4*1391	ANY													
IC.0240	50.18.0012		PAL 18 R 8 A*2 CN	(186145420)	ANY	IC.0609	50.18.0012	PAL 18 R 8 A*2 CN	(186147420)	MP****31	93.01.0108	LABEL MESH	ANY												
IC.0241	50.06.0032		SN 74 LS 32 N	ANY	IC.0610	50.06.0221	50 74 LS 221 N	ANY	MP****32	21.01.0354	SCREW CYLIND HEAD M3*6	ANY													
IC.0242	50.18.0012		PAL 18 R 8 A*2 CN	(186145820)	ANY	L****1	62.01.1115	WIDE-BAND HF-CHOK	Ph	MP****33	21.01.0354	SCREW CYLIND HEAD M3*6	ANY												
IC.0301	50.06.0157		SN 74 LS 157 N	ANY	MP****11	21.01.0279	SCREW CYLIND HEAD M2.5*6	ANY	MP****34	21.01.0354	SCREW CYLIND HEAD M3*6	ANY													
IC.0302	50.06.0074		SN 74 LS 74 N	ANY					MP****35	21.01.0354	SCREW CYLIND HEAD M3*6	ANY													

IND.	POS.NO.	PART NO.	VALUE	SPECIFICATIONS / EQUIVALENT	MANUF.
MP****16	23.01.2354		SCREW COUNTERSUNK HEAD M3*6	ANY	
MP****AC	24.10.1030		LOCK WASHER M5	ANY	
MP****A1	24.10.1030		LOCK WASHER M5	ANY	
MP****A2	24.10.1030		LOCK WASHER M5	ANY	
MP****A3	24.10.1030		LOCK WASHER M3	ANY	
MP****A4	23.01.1032		WASHER M5	ANY	
MP****A5	23.01.1032		WASHER M5	ANY	
MP****A6	23.01.1032		WASHER M5	ANY	
MP****A7	23.01.1032		WASHER M3	ANY	
MP****A8	1.010.0254		INSULATOR M3	ANY	
F****1	54.01.0354		CARD CONNECTOR 3*32 EURO WIRE WRA	ANY	
F****2	1.010.0254		CONTACT PINS QTY=1002	ANY	
F****3	1.010.027.54		DUMMY PIN QTY=40	ANY	
F****4	1.010.027.54		PUMP PIN QTY=64	ANY	
R2+306	97.85.3102	1501K	2% 01116	ANY	
EP****1	29.21.6002		TESTPOINT	ANY	
EP****2	29.21.6002		TESTPOINT	ANY	
EP****3	29.21.6002		TESTPOINT	ANY	
EP****4	29.21.6002		TESTPOINT	ANY	
W****1	94.01.0365	11000mm	WIRE WRAP TYPE	ANY	
AF****1	93.03.0162		CLAMP 9*20	ANY	
AF****2	93.03.0162		CLAMP 9*20	ANY	
Y****012	89.01.0590		18.4326 MHz TTL-OUTPUT	SFE+ STC	

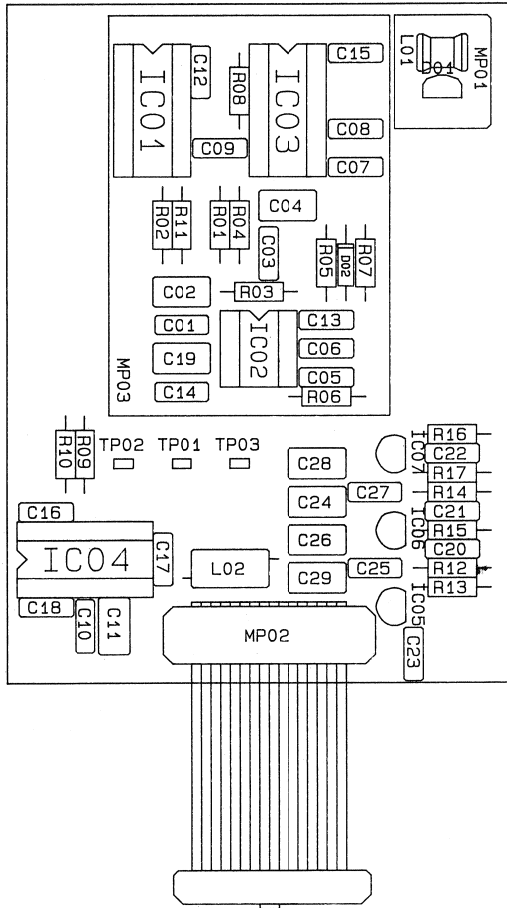
STUDER (20) 86/08/26 01 GAINS CONTROL 1.861.853.00 PAGE 4



STUDER
D820X
DI-PLL
1.861.730.81
PAGE 1 OF 1



1.861.730-11 DI PLL 20.10.85



IND.	POS.NO.	PART NO.	VALUE	SPECIFICATIONS / EQUIVALENT	MANUF.
C++0001	59.06.0104	100n	10%	30V * FILM	ANY
C++0002	59.06.0474	470n	10%	30V * FILM	ANY
C++0003	59.06.0331	330n	10%	30V * FILM	ANY
C++0004	59.06.0334	330n	10%	30V * FILM	ANY
C++0005	59.06.0221	220n	10%	30V * FILM	ANY
C++0006	59.06.0224	220n	10%	30V * FILM	ANY
C++0007	59.06.0101	100n	10%	30V * FILM	ANY
C++0008	59.06.0104	100n	10%	30V * FILM	ANY
C++0009	59.06.0104	100n	10%	30V * FILM	ANY
C++0010	59.06.0104	100n	10%	30V * FILM	ANY
C++0011	59.06.0474	470n	10%	30V * FILM	ANY
C++0012	59.06.0104	100n	10%	30V * FILM	ANY
C++0013	59.06.0104	100n	10%	30V * FILM	ANY
C++0014	59.06.0104	100n	10%	30V * FILM	ANY
C++0015	59.06.0104	100n	10%	30V * FILM	ANY
C++0016	59.06.0104	100n	10%	30V * FILM	ANY
C++0017	59.06.0104	100n	10%	30V * FILM	ANY
C++0018	59.06.0104	100n	10%	30V * FILM	ANY
C++0019	59.06.0104	100n	10%	30V * FILM	ANY
C++0020	59.06.0104	100n	10%	30V * FILM	ANY
C++0021	59.06.0104	100n	10%	30V * FILM	ANY
C++0022	59.06.0104	100n	10%	30V * FILM	ANY
C++0023	59.06.0104	100n	10%	30V * FILM	ANY
C++0024	59.06.0474	470n	10%	30V * FILM	ANY
C++0025	59.06.0104	100n	10%	30V * FILM	ANY
C++0026	59.06.0474	470n	10%	30V * FILM	ANY
C++0027	59.06.0104	100n	10%	30V * FILM	ANY
C++0028	59.06.0474	470n	10%	30V * FILM	ANY
C++0029	59.06.0474	470n	10%	30V * FILM	ANY

D++0001	50.04.0139	BB 112	RVAM 10%, MV 1404		Mot,Ph
D++0002	50.04.0129	1N 4448			ANY
IC-0001	50.05.0149	PC 4044			ANY
IC-0002	50.09.0101	TL 072			ANY
IC-0003	50.11.0110	MC 1608			ANY
IC-0004	50.11.0115	NE 529 N			ANY
IC-0005	50.10.0108	LM 317LZ			ANY

STUDER (00) 86/10/14 5n DI-PLL 1.861.730.81 PAGE 1

IND.	POS.NO.	PART NO.	VALUE	SPECIFICATIONS / EQUIVALENT	MANUF.
------	---------	----------	-------	-----------------------------	--------

IC-0006	50.10.0108	LM 317LZ			ANY
IC-0007	50.10.0109	LM 337LZ			ANY
L++0001	62.02.3109	1uHy	10%	50V * RH 5	ANY
L++0002	62.01.0115			WEL-SHND HE CHDK	Ph
MP-0001	1.861.725.03			SCREENING COVER, ANGELED	SE
MP-0002	54.14.5025			PRINT CONNECTOR, 298 PIN	ANY
MP-0003	1.861.725.02			SCREENING COVER,LARGE	SE
MP-0004	1.861.730.11			PCB	SE
MP-0005	1.861.730.01			LABEL WITH BOARD NUMBER	ANY
MP-0006	43.01.0108			LABEL "ESE"	ANY
MP-0007	74.14.5021			REBOND CABLE CONNECTOR, 298 PIN	ANY
MP-0008	64.03.0214			REBOND CABLE, 16 LEADS, L = 90 mm	ANY

R++0001	57.11.4102	1 k	2%		ANY
R++0002	57.11.3113	1.3 k	1%		ANY
R++0003	57.11.3912	9.1 k	1%		ANY
R++0004	57.11.4222	2.2 k	2%		ANY
R++0005	57.11.4101	100	2%		ANY
R++0006	57.11.4101	100	2%		ANY
R++0007	57.11.4102	1 k	2%		ANY
R++0008	57.11.4330	6.3 k	2%		ANY
R++0009	57.11.3122	1.2 k	1%		ANY
R++0010	57.11.3242	2.4 k	1%		ANY
R++0011	57.11.5106	10 M	5%		ANY
R++0012	57.11.2222	2.2 k	2%		ANY
R++0013	57.11.4682	6.8 k	2%		ANY
R++0014	57.11.3150	1.5 k	1%		ANY
R++0015	57.11.3133	13 k	1%		ANY
R++0016	57.11.4102	1 k	2%		ANY
R++0017	57.11.4682	6.8 k	2%		ANY

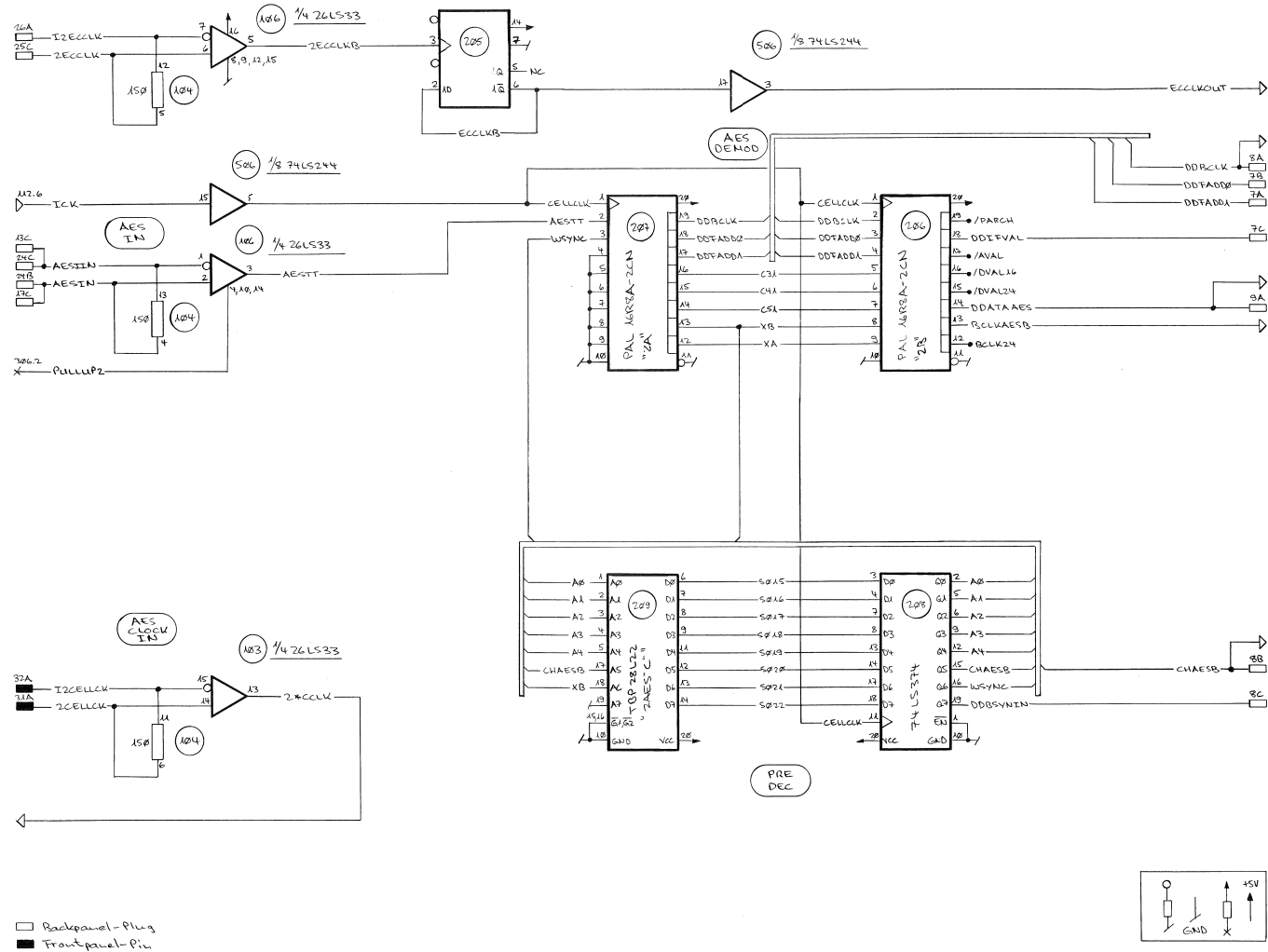
TP-0001	54.02.0320				ANY
TP-0002	54.02.0320				ANY
TP-0003	54.02.0320				ANY

STUDER (00) 86/10/14 5n DI-PLL 1.861.730.81 PAGE 2

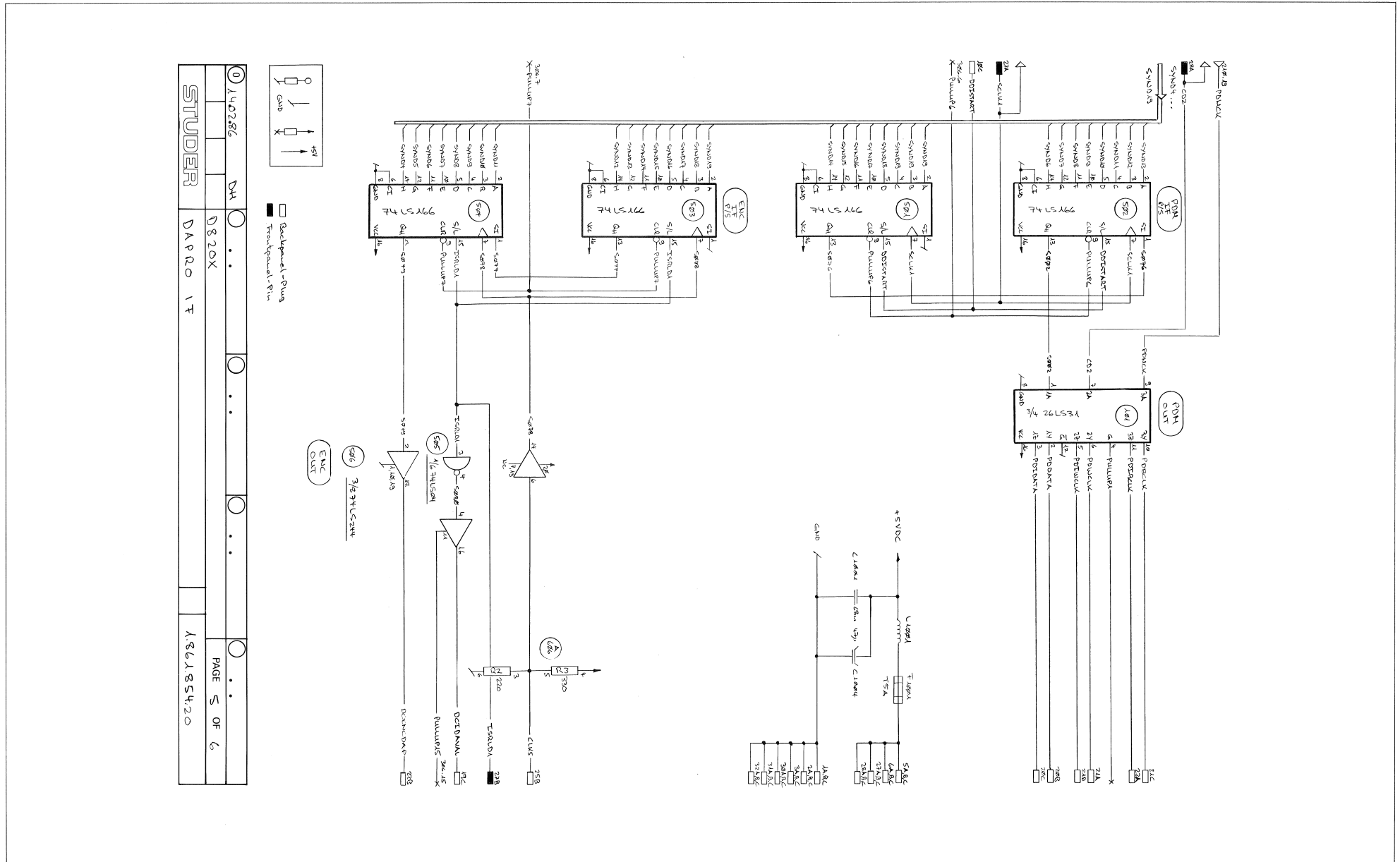
IND.	POS.NO.	PART NO.	VALUE	SPECIFICATIONS / EQUIVALENT	MANUF.
------	---------	----------	-------	-----------------------------	--------

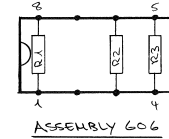
XIC0001	53.03.0166			XIC DIL 8-PDL	ANY
XIC0002	53.03.0167			XIC DIL 16-PDL	ANY
XIC0003	53.03.0167			XIC DIL 16-PDL	ANY
XIC0004	53.03.0167			XIC DIL 16-PDL	ANY

REMARKS:
 MANUFACTURERS:
 SE = STUDER / Sig = SIGNETICS / Ph = PHILLIPS / Mot = MOTOROLA
 ABBREVIATIONS:
 CER = CERAMIC / FILM = FILM TYPE / XF = CLAMP FOR FUSES /
 XIC = IC SOCKET
 ORIG 86/10/14
 STUDER (00) 86/10/14 5n DI-PLL 1.861.730.81 PAGE 3



302486 D4
 D820X
 DAPRO IF
 09/86
 STUDER
 1.861.854.20
 PAGE 2 OF 6





R1 = 1k6
 R2 = 220Ω
 R3 = 330Ω

030014	ENT
ASSEMBLY 606					
STUDER	DAPRO	VE			1.861.854.00

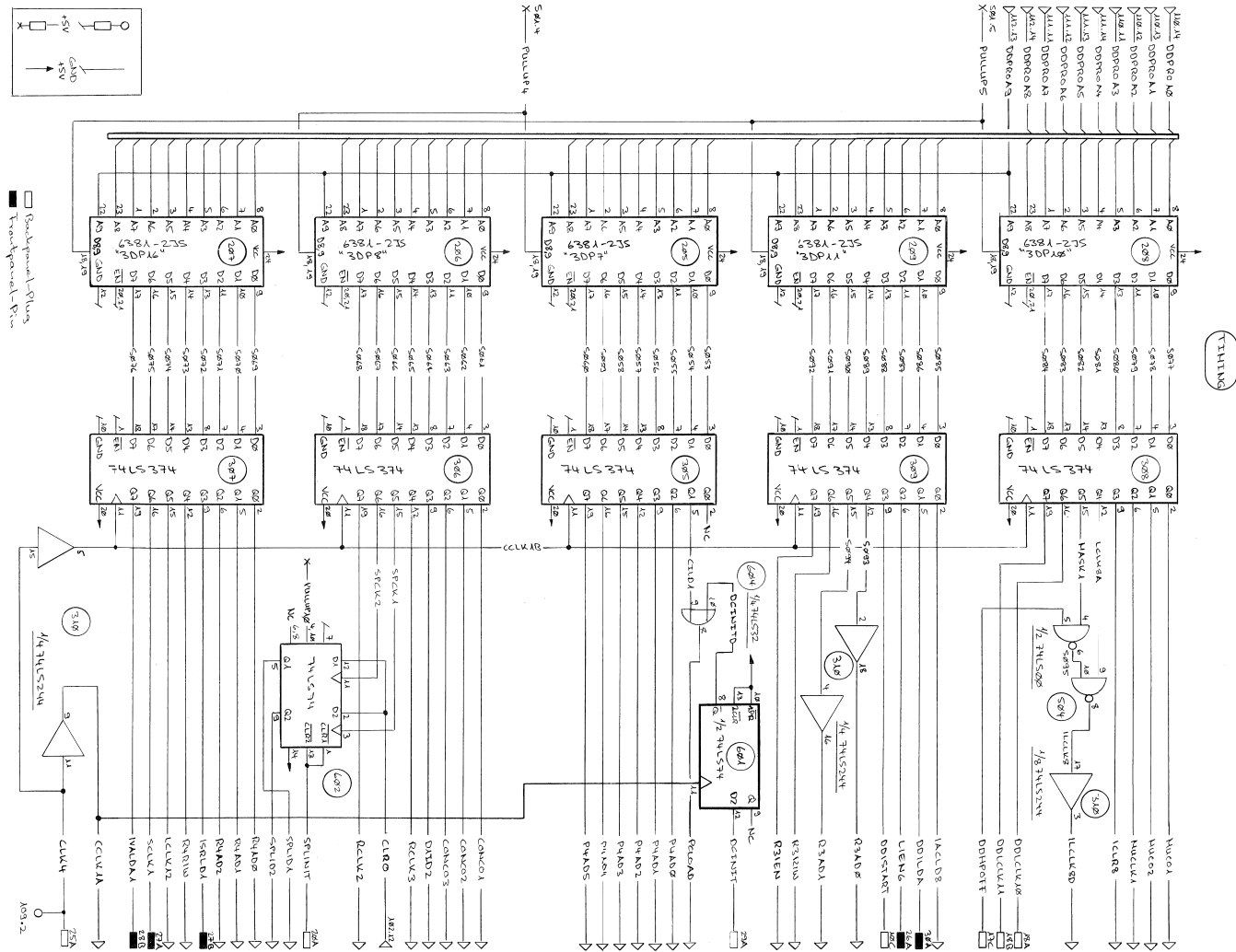
IND.	POS.ND.	PART NO.	VALUE	SPECIFICATIONS / EQUIVALENT	MANUF.
MP	11	28799-0119		RIVETING NUT, 02-560-15-910	ANY
MP	18	1-010-005-33		MARKING HANDLE	ANY
MP	19	1-010-005-33		MARKING HANDLE	ANY
MP	20	1-010-005-43		TO ASSUREMENT COVER	ANY
MP	22	1-180-402-02		STAND-OFF, M2-5612-8	ANY
MP	23	1-180-402-02		STAND-OFF, M2-5612-8	ANY
MP	24	1-180-402-02		STAND-OFF, M2-5612-8	ANY
MP	25	1-180-402-02		STAND-OFF, M2-5612-8	ANY
MP	26	1-861-750-01		METAL PLATE	ANY
MP	27	1-861-750-01		INSULATOR	ANY
MP	28	1-861-750-11		PCB	SE
MP	29	1-861-854-01		LABEL WITH BOARD NUMBER	SE
MP	29	1-010-122-51		LABEL "PULSE 5A"	SE
MP	30	1-010-021-20		LABEL "RELEASE VERSION -20"	ANY
MP	31	63-01-0108		LABEL "PUSH"	ANY
MP	32	1-010-125-49		GUIDING TEMPLATE FOR PINS	SE
P	...	54-01-0354		CARD CONNECTOR, 3P32 EURO WIRE WRAP	ANY
P	...	1-010-028-54		CONTACT PINS, QTY=1098	ANY
P	...	1-010-028-54		DUMMY PINS, QTY=109	ANY
P	...	1-010-027-54		FRONT PIN, QTY=64	ANY
R2	10a	57-85-3151	8R150	2x, D1116	ANY
R2	10b	57-85-3102	15R1 k	2x, D1116	ANY
R2	30a	57-85-3102	15R1 k	2x, D1116	ANY
TP	...	29-21-6002		TESTPOINT	ANY
TP	...	29-21-6002		TESTPOINT	ANY
TP	...	29-21-6002		TESTPOINT	ANY
TP	...	29-21-6002		TESTPOINT	ANY
W	...	64-01-0345	79800mm	WIRE WRAP TYPE	ANY
XF	...	53-03-0142		CLAMP, 5P20	ANY
XF	...	53-03-0142		CLAMP, 5P20	ANY

S T U D E R (20) 86/05/13 01 DAPRO IF 1.861.854.00 PAGE 4

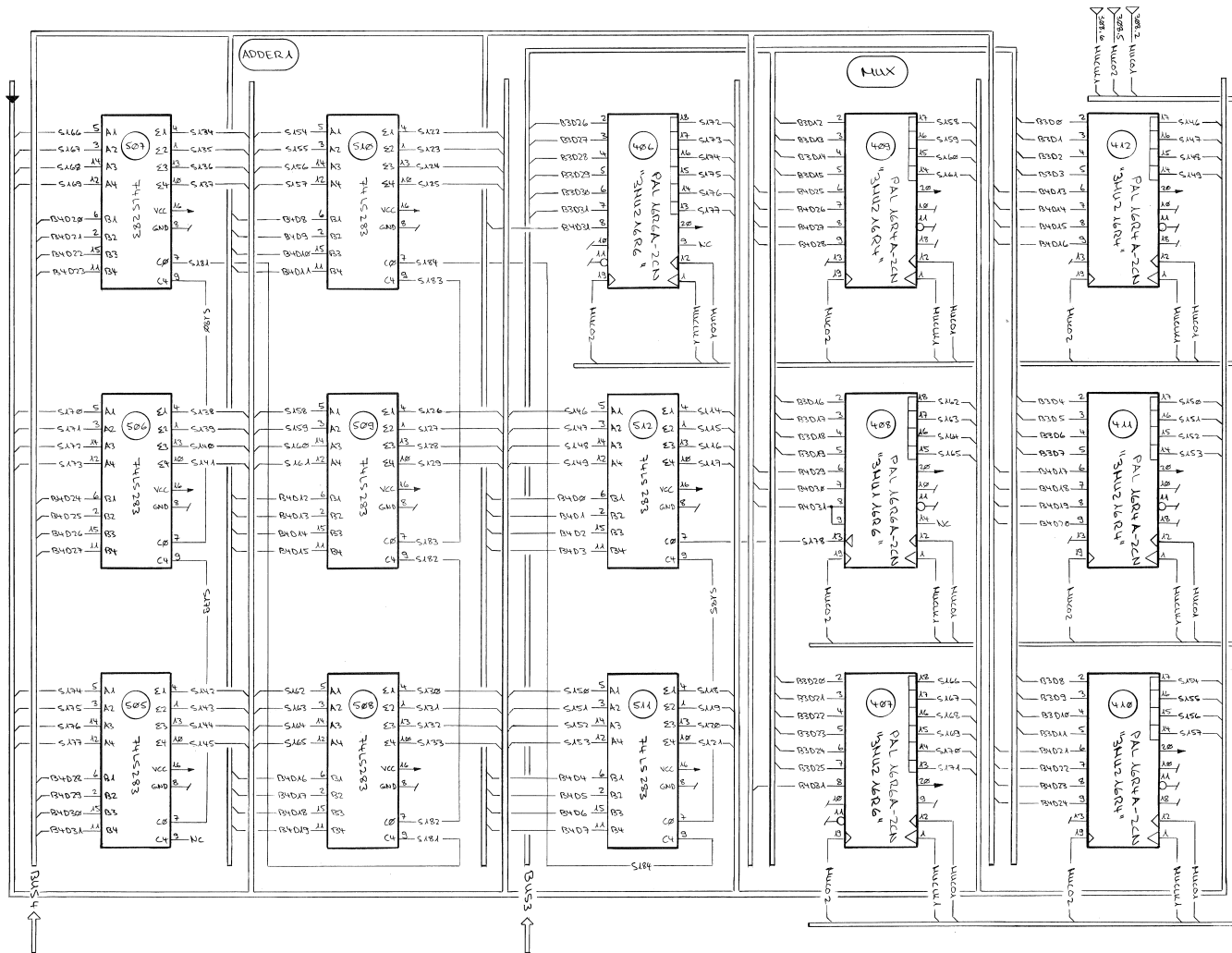
IND.	POS.ND.	PART NO.	VALUE	SPECIFICATIONS / EQUIVALENT	MANUF.	IND.	POS.ND.	PART NO.	VALUE	SPECIFICATIONS / EQUIVALENT	MANUF.	IND.	POS.ND.	PART NO.	VALUE	SPECIFICATIONS / EQUIVALENT	MANUF.		
[00]	A...	1.861-738-00		ASSEMBLY 854-301	SE	IC	...	50-14-0114		TIP 2BL 22N 6309-IN	(186146720)	ANY	IC	...	50-06-0374		SN 74 LS 374 N	ANY	
[01]	A...	1.861-738-00		ASSEMBLY 854-301	SE	IC	...	50-18-0010		PAL 16 R 4 A-2 CN	(186146820)	ANY	IC	...	50-17-1000		74 HC 990	ANY	
[00]	A...	1.861-736-00		ASSEMBLY 854-302	SE	IC	...	50-06-0000		SN 74 LS 20 N		ANY	IC	...	50-17-1590		74 HC 990	ANY	
[01]	A...	1.861-740-00		ASSEMBLY 854-313	SE	[01]	IC	...	50-06-0074		SN 74 LS 74 N	ANY	IC	...	50-14-0127		AM 93 L 422 PC	ANY	
[00]	A...	1.861-739-00		ASSEMBLY 854-403	SE	[01]	IC	...	50-06-0086		SN 74 LS 86 PC	ANY	IC	...	50-06-0374		SN 74 LS 374 N	ANY	
[01]	A...	1.861-739-00		ASSEMBLY 854-403	SE	IC	...	50-18-0012		PAL 16 R 8 A-2 CN	(186146920)	ANY	IC	...	50-06-0374		SN 74 LS 374 N	ANY	
[01]	A...	1.861-739-00		ASSEMBLY 854-406	SE	IC	...	50-18-0003		PAL 20 R 8 ACN	(186147020)	ANY	[00]	IC	...	50-16-0012		PAL 16 R 8 A-2 CN	(186147620)
[01]	A...	1.861-739-00		ASSEMBLY 854-406	SE	IC	...	50-18-0009		PAL 16 R 8 A-2 CN	(186147220)	ANY	[01]	IC	...	50-16-0005		PAL 16 R 8 ACN	(186147620)
C	...	59-22-5470	47u	50% 10V ELECTROLYTIC	ANY	IC	...	50-06-0374		SN 74 LS 374 N	ANY	[01]	IC	...	50-21-0244		SN 74 F 244 N	ANY	
C	...	1-010-001-59	68n	50% 10V 07V50	SE	IC	...	50-14-0114		TIP 2BL 22N 6309-IN	(186147120)	ANY	IC	...	50-06-0374		SN 74 LS 374 N	ANY	
[00]	C	...	59-05-1101	1K	ANY	IC	...	50-06-0166		SN 74 LS 166 N	ANY	IC	...	50-06-0374		SN 74 LS 374 N	ANY		
[00]	C	...	59-05-1101	1K	ANY	IC	...	50-06-0166		SN 74 LS 166 N	ANY	IC	...	50-06-0374		SN 74 LS 374 N	ANY		
[01]	C	...	51-01-0124	FUSE, 5A 250m	ANY	[01]	IC	...	50-06-0123		SN 74 LS 123 PC	ANY	IC	...	50-06-0374		SN 74 LS 374 N	ANY	
[01]	IC	...	50-15-0108	AM26 LS 31 PC+AM26 LS31 CN	ANY	[01]	IC	...	50-05-0149		M 4044	MoE	L	...	62-01-0115		MID-BAND HF-CHOKE	Ph	
[01]	IC	...	50-15-0109	AM26 LS 33 PC+D526 LS33 CN	ANY	[01]	IC	...	50-06-0624		SN 74 LS 624 PC	ANY	MP	...	21-01-0279		SCREW, CYLIND. HEAD, M2-566	ANY	
[01]	IC	...	50-15-0109	AM26 LS 33 PC+AM26 LS33 CN	ANY	[01]	IC	...	50-09-0120		LF 337	ANY	MP	...	21-01-0279		SCREW, CYLIND. HEAD, M2-566	ANY	
[01]	IC	...	50-15-0109	AM26 LS 33 PC+D526 LS33 CN	ANY	[01]	IC	...	50-18-0006		PAL 10 L 8 CN	(186147320)	ANY	MP	...	21-01-0279		SCREW, CYLIND. HEAD, M2-566	ANY
[01]	IC	...	50-06-0869	SN 74 LS 66P PC	ANY	[01]	IC	...	50-06-0166		SN 74 LS 166 N	ANY	MP	...	21-01-0279		SCREW, CYLIND. HEAD, M2-566	ANY	
[01]	IC	...	50-06-0869	SN 74 LS 66P PC	ANY	[01]	IC	...	50-06-0166		SN 74 LS 166 N	ANY	MP	...	21-01-0279		SCREW, COUNTERSUNK HEAD, M2-566	ANY	
[01]	IC	...	50-06-0869	SN 74 LS 66P PC	ANY	[01]	IC	...	50-06-0166		SN 74 LS 166 N	ANY	MP	...	21-01-0279		SCREW, COUNTERSUNK HEAD, M2-566	ANY	
[01]	IC	...	50-06-0869	SN 74 LS 66P PC	ANY	[01]	IC	...	50-06-0166		SN 74 LS 166 N	ANY	MP	...	21-01-0279		SCREW, COUNTERSUNK HEAD, M2-566	ANY	
[01]	IC	...	50-18-0013	PAL 20 L 10 CN	(186146120)	ANY	[01]	IC	...	50-06-0166		SN 74 LS 166 N	ANY	MP	...	24-16-1025		LOCK WASHER, M2-5	ANY
[01]	IC	...	50-06-0174	TIP 2BL 22N 6309-IN	(186146620)	ANY	[01]	IC	...	50-06-0166		SN 74 LS 166 N	ANY	MP	...	24-16-1025		LOCK WASHER, M2-5	ANY
[01]	IC	...	50-06-0174	SN 74 LS 174 N	ANY	[01]	IC	...	50-06-0166		SN 74 LS 166 N	ANY	MP	...	24-16-1025		LOCK WASHER, M2-5	ANY	
[01]	IC	...	50-06-0174	SN 74 F 74 N	ANY	[01]	IC	...	50-06-0166		SN 74 LS 166 N	ANY	MP	...	28-21-1370		RIVETING NUT, 02-2595-5	ANY	
[01]	IC	...	50-06-0174	SN 74 F 74 N	ANY	[01]	IC	...	50-06-0166		SN 74 LS 166 N	ANY	MP	...	28-21-1370		RIVETING NUT, 02-2595-5	ANY	
[01]	IC	...	50-06-0174	SN 74 F 74 N	ANY	[01]	IC	...	50-06-0166		SN 74 LS 166 N	ANY	MP	...	28-21-1370		RIVETING NUT, 02-2595-5	ANY	
[01]	IC	...	50-06-0174	SN 74 F 74 N	ANY	[01]	IC	...	50-06-0166		SN 74 LS 166 N	ANY	MP	...	28-21-1370		RIVETING NUT, 02-2595-5	ANY	
[01]	IC	...	50-06-0174	SN 74 F 74 N	ANY	[01]	IC	...	50-06-0166		SN 74 LS 166 N	ANY	MP	...	28-21-1370		RIVETING NUT, 02-2595-5	ANY	
[01]	IC	...	50-06-0174	SN 74 F 74 N	ANY	[01]	IC	...	50-06-0166		SN 74 LS 166 N	ANY	MP	...	28-21-1370		RIVETING NUT, 02-2595-5	ANY	
[01]	IC	...	50-06-0174	SN 74 F 74 N	ANY	[01]	IC	...	50-06-0166		SN 74 LS 166 N	ANY	MP	...	28-21-1370		RIVETING NUT, 02-2595-5	ANY	
[01]	IC	...	50-06-0174	SN 74 F 74 N	ANY	[01]	IC	...	50-06-0166		SN 74 LS 166 N	ANY	MP	...	28-21-1370		RIVETING NUT, 02-2595-5	ANY	
[01]	IC	...	50-06-0174	SN 74 F 74 N	ANY	[01]	IC	...	50-06-0166		SN 74 LS 166 N	ANY	MP	...	28-21-1370		RIVETING NUT, 02-2595-5	ANY	
[01]	IC	...	50-06-0174	SN 74 F 74 N	ANY	[01]	IC	...	50-06-0166		SN 74 LS 166 N	ANY	MP	...	28-21-1370		RIVETING NUT, 02-2595-5	ANY	
[01]	IC	...	50-06-0174	SN 74 F 74 N	ANY	[01]	IC	...	50-06-0166		SN 74 LS 166 N	ANY	MP	...	28-21-1370		RIVETING NUT, 02-2595-5	ANY	
[01]	IC	...	50-06-0174	SN 74 F 74 N	ANY	[01]	IC	...	50-06-0166		SN 74 LS 166 N	ANY	MP	...	28-21-1370		RIVETING NUT, 02-2595-5	ANY	
[01]	IC	...	50-06-0174	SN 74 F 74 N	ANY	[01]	IC	...	50-06-0166		SN 74 LS 166 N	ANY	MP	...	28-21-1370		RIVETING NUT, 02-2595-5	ANY	
[01]	IC	...	50-06-0174	SN 74 F 74 N	ANY	[01]	IC	...	50-06-0166		SN 74 LS 166 N	ANY	MP	...	28-21-1370		RIVETING NUT, 02-2595-5	ANY	
[01]	IC	...	50-06-0174	SN 74 F 74 N	ANY	[01]	IC	...	50-06-0166		SN 74 LS 166 N	ANY	MP	...	28-21-1370		RIVETING NUT, 02-2595-5	ANY	
[01]	IC	...	50-06-0174	SN 74 F 74 N	ANY	[01]	IC	...	50-06-0166		SN 74 LS 166 N	ANY	MP	...	28-21-1370		RIVETING NUT, 02-2595-5	ANY	
[01]	IC	...	50-06-0174	SN 74 F 74 N	ANY	[01]	IC	...	50-06-0166		SN 74 LS 166 N	ANY	MP	...	28-21-1370		RIVETING NUT, 02-2595-5	ANY	
[01]	IC	...	50-06-0174	SN 74 F 74 N	ANY	[01]	IC	...	50-06-0166		SN 74 LS 166 N	ANY	MP	...	28-21-1370		RIVETING NUT, 02-2595-5	ANY	
[01]	IC	...	50-06-0174	SN 74 F 74 N	ANY	[01]	IC	...	50-06-0166		SN 74 LS 166 N	ANY	MP	...	28-21-1370		RIVETING NUT, 02-2595-5	ANY	
[01]	IC	...	50-06-0174	SN 74 F 74 N	ANY	[01]	IC	...	50-06-0166		SN 74 LS 166 N	ANY	MP	...	28-21-1370		RIVETING NUT, 02-2595-5	ANY	
[01]	IC	...	50-06-0174	SN 74 F 74 N	ANY	[01]	IC	...	50-06-0166		SN 74 LS 166 N	ANY	MP	...	28-21-1370		RIVETING NUT, 02-2595-5	ANY	
[01]	IC	...	50-06-0174	SN 74 F 74 N	ANY	[01]	IC	...	50-06-0166		SN 74 LS 166 N	ANY	MP	...	28-21-1370		RIVETING NUT, 02-2595-5	ANY	
[01]	IC	...	50-06-0174	SN 74 F 74 N	ANY	[01]	IC	...	50-06-0166		SN 74 LS 166 N	ANY	MP	...	28-21-1370		RIVETING NUT, 02-2595-5	ANY	
[01]	IC	...	50-06-0174	SN 74 F 74 N	ANY	[01]	IC	...	50-06-0166		SN 74 LS 166 N	ANY	MP	...	28-21-1370		RIVETING NUT, 02-2595-5	ANY	
[01]	IC	...	50-06-0174	SN 74 F 74 N	ANY	[01]	IC	...	50-06-0166		SN 74 LS 166 N	ANY	MP						

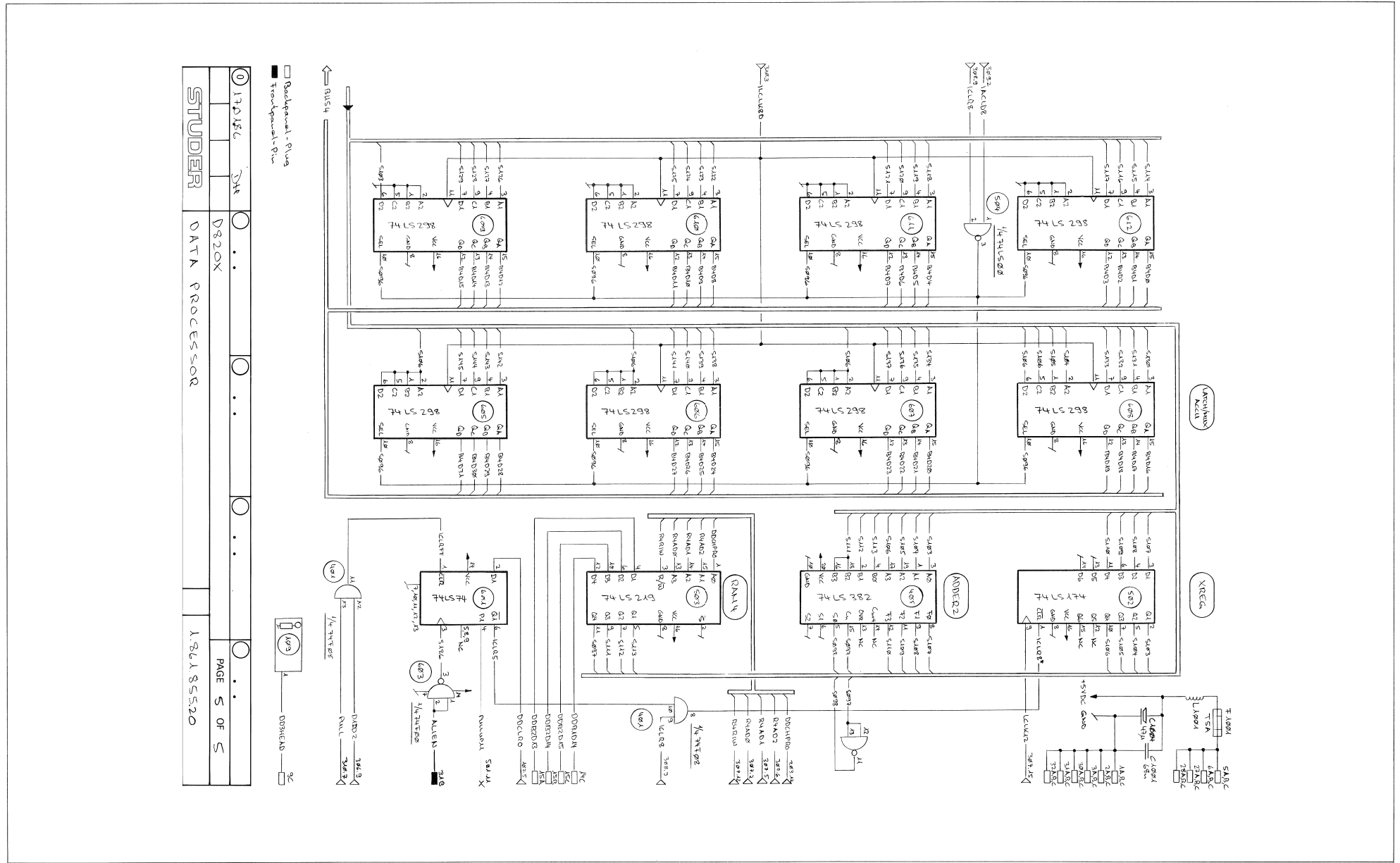
150186 DA D820X DATA PROCESSOR 186185520

PAGE 2 OF 5



1.861.855.00	DATA
STUDER	D820X
DATA PROCESSOR				
PAGE 4 OF 5				
1.861.855.20				





IND.	POS.ND.	PART NO.	VALUE	SPECIFICATIONS / EQUIVALENT	MANUF.	IND.	POS.ND.	PART NO.	VALUE	SPECIFICATIONS / EQUIVALENT	MANUF.	IND.	POS.ND.	PART NO.	VALUE	SPECIFICATIONS / EQUIVALENT	MANUF.	IND.	POS.ND.	PART NO.	VALUE	SPECIFICATIONS / EQUIVALENT	MANUF.		
C****	59-22-5470	1 PCS	470+ 50% 10V ELECTROLYTIC	ANY	IC+332	50-18-0009	PAL 16 L 8 A-2 CN	(186148520)	ANY	IC+702	50-06-0595	SN 74 LS 595 N	ANY												
C****	1-010-001-99	29 PCS	85V+ 50% 10V	SE	IC+401	50-14-0008	SN 74 F 308	ANY	IC+703	50-06-0595	SN 74 LS 595 N	ANY													
F****	51-01-01-23		FUSE+ .417/250+ 5*20mm	ANY	IC+402	50-14-0005	PAL 10 H B CN	(186147720)	ANY	IC+704	50-06-0595	SN 74 LS 595 N	ANY												
IC+131	50-18-0011	PAL 16 R 6 A-2 CN	(186144420)	ANY	IC+403	50-14-0005	PAL 10 H B CN	(186147720)	ANY	IC+705	50-14-0129	SN 74 LS 219 AN	ANY												
IC+132	50-06-0374	SN 74 LS 376 N	ANY	IC+404	50-14-0005	PAL 10 H B CN	(186147720)	ANY	IC+706	50-14-0129	SN 74 LS 219 AN	ANY													
IC+133	50-06-0374	SN 74 LS 376 N	ANY	IC+405	50-14-0011	PAL 16 R 6 A-2 CN	(186148320)	ANY	IC+707	50-14-0129	SN 74 LS 219 AN	ANY													
IC+136	50-06-0595	SN 74 LS 595 N	ANY	IC+406	50-18-0011	PAL 16 R 6 A-2 CN	(186148320)	ANY	IC+708	50-14-0129	SN 74 LS 219 AN	ANY													
IC+138	50-06-0595	SN 74 LS 595 N	ANY	IC+407	50-18-0011	PAL 16 R 6 A-2 CN	(186148320)	ANY	IC+709	50-14-0129	SN 74 LS 219 AN	ANY													
IC+110	50-21-01-63	74 F 163	ANY	IC+408	50-18-0011	PAL 16 R 6 A-2 CN	(186148320)	ANY	IC+710	50-14-0129	SN 74 LS 219 AN	ANY													
IC+111	50-21-01-63	74 F 163	ANY	IC+409	50-18-0011	PAL 16 R 6 A-2 CN	(186148320)	ANY	IC+711	50-14-0129	SN 74 LS 219 AN	ANY													
IC+112	50-21-01-63	74 F 163	ANY	IC+410	50-18-0010	PAL 16 R 4 A-2 CN	(186148220)	ANY	IC+712	50-14-0129	SN 74 LS 219 AN	ANY													
IC+231	50-06-0244	SN 74 LS 244 N	ANY	IC+411	50-18-0010	PAL 16 R 4 A-2 CN	(186148220)	ANY	J****	54-14-0028	CONNECTOR 64-PIN FLAT	ANY													
IC+232	50-06-0244	SN 74 LS 244 N	ANY	IC+502	50-06-0174	SN 74 LS 219 AN	ANY	L****	62-01-0115	WIDE-BAND HF-CHOK	PH														
IC+233	50-14-0012	PAL 16 R 6 A-2 CN	(186147920)	ANY	IC+503	50-14-0000	SN 74 LS 203 N	ANY	MP+***	21-01-0277	1 PCS	SCHEM CYLIN HEAD, M2-504	ANY												
IC+234	50-14-0114	TPR 20L 22N 0.509-IN	(186148020)	ANY	IC+504	50-06-0283	SN 74 LS 283 N	ANY	MP+***	21-01-0277	1 PCS	SCHEM CYLIN HEAD, M2-504	ANY												
IC+235	50-14-0130	53-6381-2 .5J5 DM 875 281 N(186148720)	ANY	IC+505	50-06-0283	SN 74 LS 283 N	ANY	MP+***	21-01-0277	1 PCS	SCHEM CYLIN HEAD, M2-504	ANY													
IC+236	50-14-0130	53-6381-2 .5J5 DM 875 281 N(186148720)	ANY	IC+506	50-06-0283	SN 74 LS 283 N	ANY	MP+***	21-01-0277	1 PCS	SCHEM CYLIN HEAD, M2-504	ANY													
IC+237	50-14-0130	53-6381-2 .5J5 DM 875 281 N(186148720)	ANY	IC+507	50-06-0283	SN 74 LS 283 N	ANY	MP+***	21-01-0277	1 PCS	SCHEM CYLIN HEAD, M2-504	ANY													
IC+238	50-14-0130	53-6381-2 .5J5 DM 875 281 N(186148720)	ANY	IC+508	50-06-0283	SN 74 LS 283 N	ANY	MP+***	21-01-0277	1 PCS	SCHEM COUNTERSUNK HEAD, M204	ANY													
IC+239	50-14-0130	53-6381-2 .5J5 DM 875 281 N(186148720)	ANY	IC+509	50-06-0283	SN 74 LS 283 N	ANY	MP+***	21-01-0277	1 PCS	SCHEM COUNTERSUNK HEAD, M204	ANY													
IC+240	50-14-0130	53-6381-2 .5J5 DM 875 281 N(186148720)	ANY	IC+510	50-06-0283	SN 74 LS 283 N	ANY	MP+***	21-01-0277	1 PCS	SCHEM COUNTERSUNK HEAD, M204	ANY													
IC+212	50-18-0013	PAL 20 L 10 CN	(186146020)	ANY	IC+511	50-06-0283	SN 74 LS 283 N	ANY	MP+***	21-01-0277	1 PCS	SCHEM COUNTERSUNK HEAD, M204	ANY												
IC+211	50-14-0111	N 82 5 10% (186146820)	ANY	IC+512	50-06-0283	SN 74 LS 283 N	ANY	MP+***	21-01-0277	1 PCS	SCHEM COUNTERSUNK HEAD, M204	ANY													
IC+331	50-18-0012	PAL 16 R 6 A-2 CN	(186147620)	ANY	IC+602	50-06-0074	SN 74 LS 74 N	ANY	MP+***	24-16-0255	1 PCS	LOCK WASHER M2-5	ANY												
IC+332	50-18-0015	PAL 20 X 8 CN	(186146200)	ANY	IC+603	50-14-0000	SN 74 F 60	ANY	MP+***	24-16-0255	1 PCS	LOCK WASHER M2-5	ANY												
IC+333	50-18-0012	PAL 16 R 6 A-2 CN	(186147620)	ANY	IC+604	50-06-0032	SN 74 LS 32 N	ANY	MP+***	24-16-0255	1 PCS	LOCK WASHER M2-5	ANY												
IC+334	50-18-0015	PAL 20 X 8 CN	(186146200)	ANY	IC+605	50-06-0298	SN 74 LS 298N	ANY	MP+***	24-16-0255	1 PCS	LOCK WASHER M2-5	ANY												
IC+335	50-06-0374	SN 74 LS 376 N	ANY	IC+606	50-06-0298	SN 74 LS 298N	ANY	MP+***	24-16-0255	1 PCS	LOCK WASHER M2-5	ANY													
IC+336	50-06-0374	SN 74 LS 376 N	ANY	IC+607	50-06-0298	SN 74 LS 298N	ANY	MP+***	24-16-0255	1 PCS	LOCK WASHER M2-5	ANY													
IC+337	50-06-0374	SN 74 LS 376 N	ANY	IC+608	50-06-0298	SN 74 LS 298N	ANY	MP+***	24-16-0255	1 PCS	LOCK WASHER M2-5	ANY													
IC+338	50-06-0374	SN 74 LS 376 N	ANY	IC+609	50-06-0298	SN 74 LS 298N	ANY	MP+***	24-16-0255	1 PCS	LOCK WASHER M2-5	ANY													
IC+339	50-06-0374	SN 74 LS 376 N	ANY	IC+610	50-06-0298	SN 74 LS 298N	ANY	MP+***	24-16-0255	1 PCS	LOCK WASHER M2-5	ANY													
IC+340	50-06-0244	SN 74 LS 244 N	(186148220)	ANY	IC+611	50-06-0298	SN 74 LS 298N	ANY	MP+***	24-16-0255	1 PCS	LOCK WASHER M2-5	ANY												
IC+311	50-14-0011	N 82 5 10%	(186146820)	ANY	IC+612	50-06-0298	SN 74 LS 298N	ANY	MP+***	24-16-0255	1 PCS	LOCK WASHER M2-5	ANY												
					IC+701	50-06-0595	SN 74 LS 595 N	ANY																	

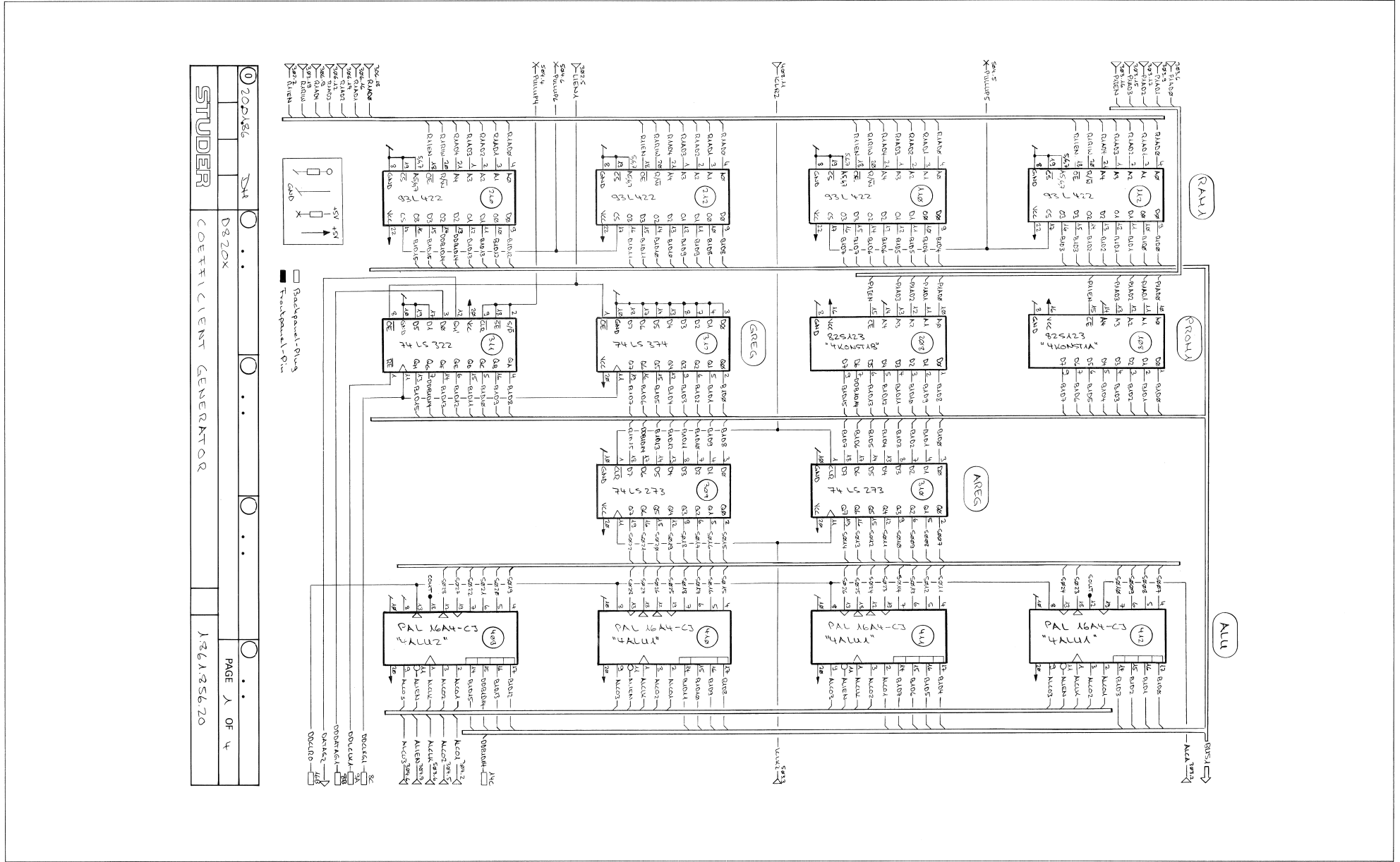
IND.	POS.ND.	PART NO.	VALUE	SPECIFICATIONS / EQUIVALENT	MANUF.
MP+***	22	14804-002-02	1 PCS	STAND-OFF, M2-5012.8	ANY
MP+***	23	14804-002-02	1 PCS	STAND-OFF, M2-5012.8	ANY
MP+***	24	14804-002-02	1 PCS	STAND-OFF, M2-5012.8	ANY
MP+***	25	14804-750-01	1 PCS	METAL PLATE	ANY
MP+***	26	14804-750-02	1 PCS	INSULATOR	ANY
MP+***	27	14804-750-11	1 PCS	PCB	SE
MP+***	28	14804-855-01	1 PCS	NAME PLATE, 6x1901	SE
MP+***	29	14804-121-51	1 PCS	LABEL "FUSE A"	SE
MP+***	30	14804-001-20	1 PCS	LABEL "MILSPEC" VERSION -20"	SE
MP+***	31	43-01-0109	1 PCS	LABEL "ESC"	ANY
P****	1	54-01-0354	1418 PCS	CARD CONNECTOR, 3532 EURO WIRE WRAP	ANY
P****	2	14804-028-54	165 PCS	CONTACT 295X-07V-1418	ANY
P****	3	14804-028-54	165 PCS	DUMMY PINS, 07V-1418	ANY
P****	4	14804-028-54	54 PCS	FRONT PINS 07V-1418	ANY
RZ+100	57488-1102	1501K	2%		ANY
RZ+501	57488-1102	1501K	2%		ANY
RZ+101	57488-4332	8 *3x3k	5% SINGLE LINE		ANY
RZ+102	57488-4332	8 *3x3k	5% SINGLE LINE		ANY
RZ+103	57488-4332	8 *3x3k	5% SINGLE LINE		ANY
RZ+104	57488-4332	8 *3x3k	5% SINGLE LINE		ANY
TP+***	29-21-6002		TESTPOINT		ANY
TP+***	29-21-6002		TESTPOINT		ANY
TP+***	29-21-6002		TESTPOINT		ANY
TP+***	29-21-6002		TESTPOINT		ANY
W****	04-01-0369	LOWOhm	WIRE WRAP TYPE		ANY
XF+***	53-03-0142		CLAMP, 5020		ANY
XF+***	53-03-0142		CLAMP, 5020		ANY

IND.	POS.ND.	PART NO.	VALUE	SPECIFICATIONS / EQUIVALENT	MANUF.				
C****	59-22-5470	1 PCS	470+ 50% 10V ELECTROLYTIC	ANY	IC+332	50-18-0009	PAL 16 L 8 A-2 CN	(186148520)	ANY
C****	1-010-001-99	29 PCS	85V+ 50% 10V	SE	IC+401	50-14-0008	SN 74 F 308	ANY	
F****	51-01-01-23		FUSE+ .417/250+ 5*20mm	ANY	IC+402	50-14-0005	PAL 10 H B CN	(186147720)	ANY

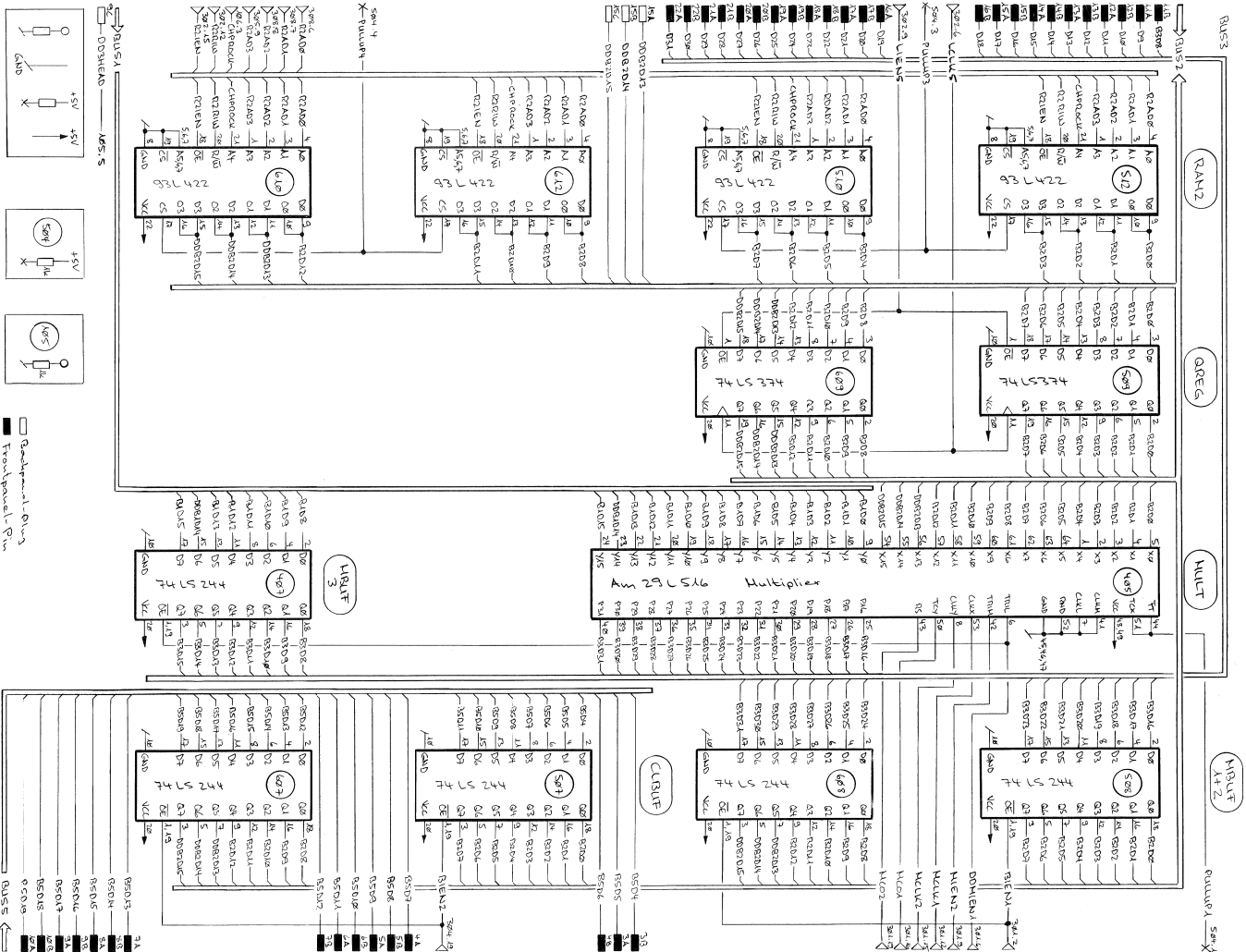
IND.	POS.ND.	PART NO.	VALUE	SPECIFICATIONS / EQUIVALENT	MANUF.			
IC+332	50-18-0009	PAL 16 L 8 A-2 CN	(186148520)	ANY	IC+702	50-06-0595	SN 74 LS 595 N	ANY
IC+401	50-14-0008	SN 74 F 308	ANY	IC+703	50-06-0595	SN 74 LS 595 N	ANY	
IC+402	50-14-0005	PAL 10 H B CN	(186147720)	ANY	IC+704	50-06-0595	SN 74 LS 595 N	ANY

IND.	POS.ND.	PART NO.	VALUE	SPECIFICATIONS / EQUIVALENT	MANUF.		
IC+702	50-06-0595	SN 74 LS 595 N	ANY	IC+703	50-06-0595	SN 74 LS 595 N	ANY
IC+703	50-06-0595	SN 74 LS 595 N	ANY	IC+704	50-06-0595	SN 74 LS 595 N	ANY
IC+704	50-06-0595	SN 74 LS 595 N	ANY	IC+705	50-14-0129	SN 74 LS 219 AN	ANY

IND.	POS.ND.	PART NO.	VALUE	SPECIFICATIONS / EQUIVALENT	MANUF.		
IC+705	50-14-0129	SN 74 LS 219 AN	ANY	IC+706	50-14-0129	SN 74 LS 219 AN	ANY
IC+706	50-14-0129	SN 74 LS 219 AN	ANY	IC+707	50-14-0129	SN 74 LS 2	



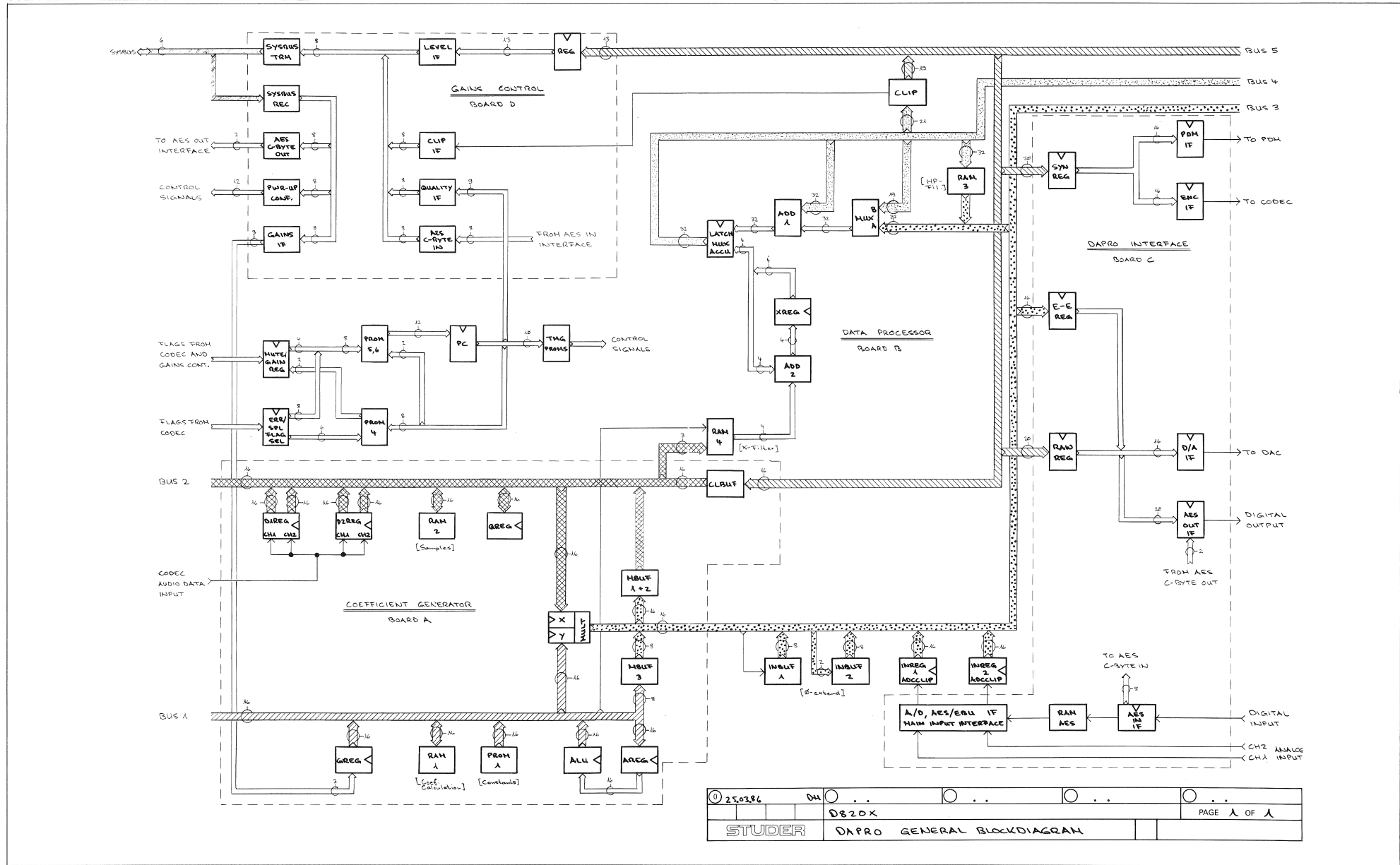
0 202186 SH D820X STUDDER COEFFICIENT GENERATOR 1.861.856.20 PAGE 1 OF 4

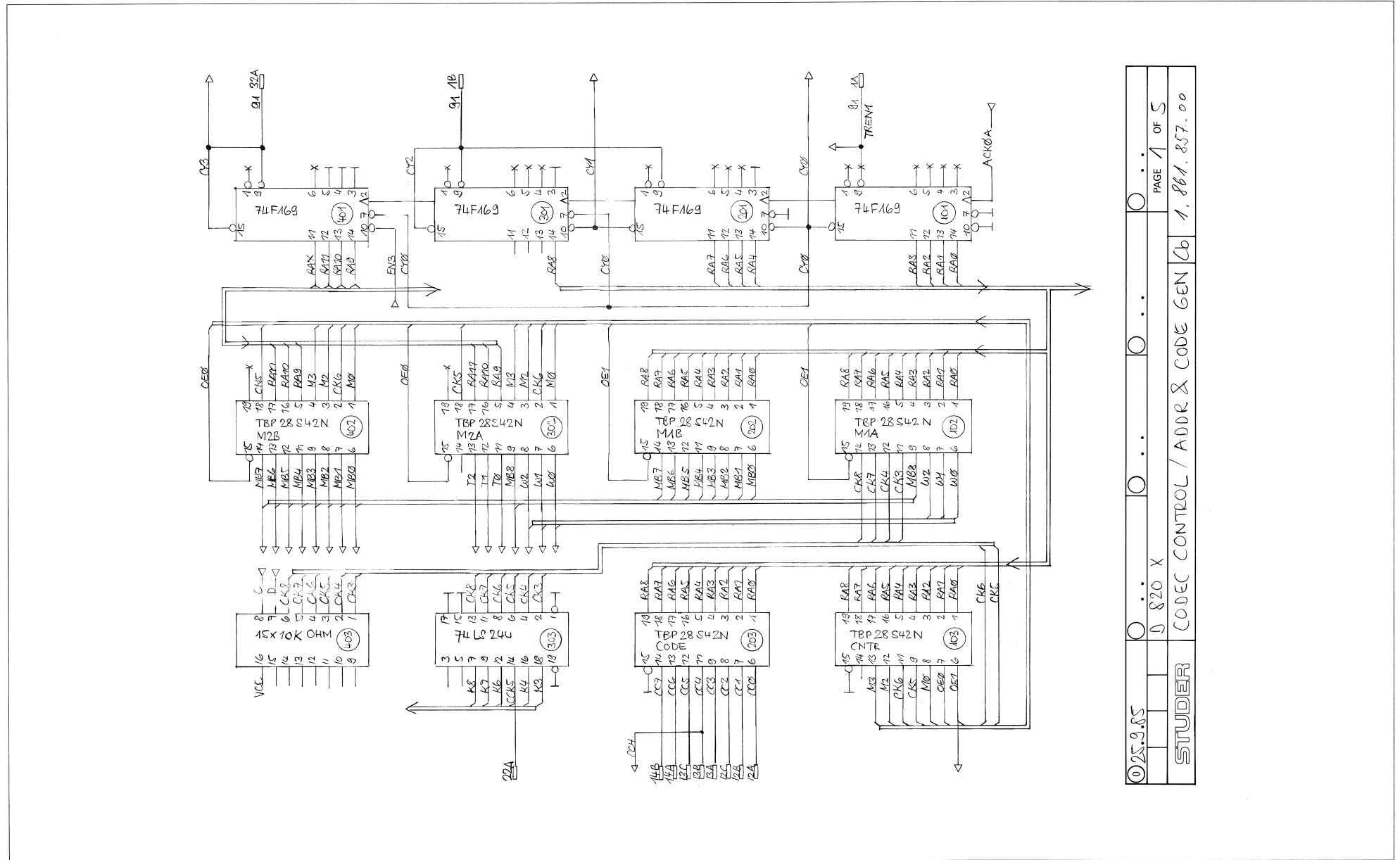


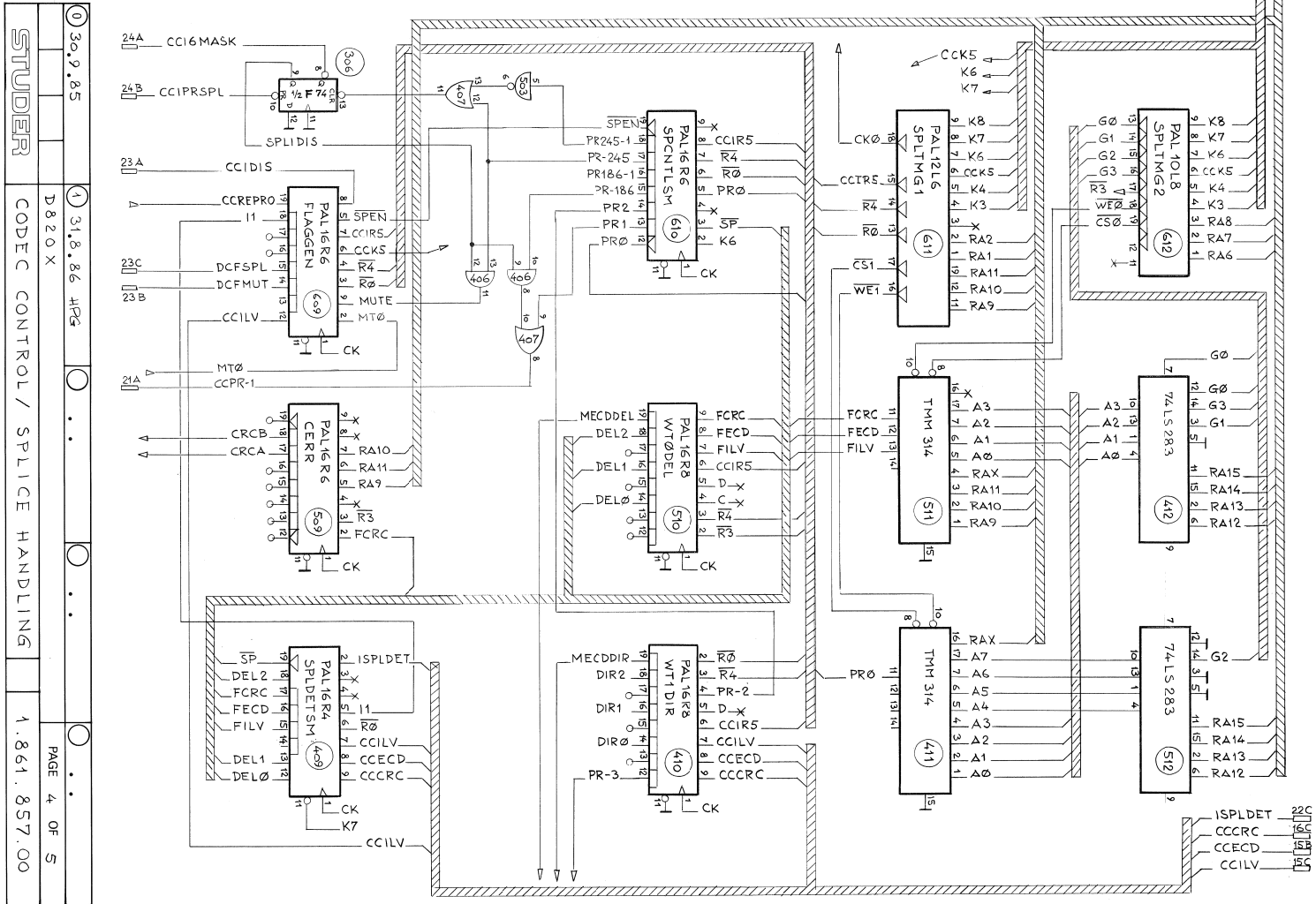
STUDER	COEFFICIENT GENERATOR	1.861.856.00
--------	-----------------------	--------------

PAGE 2 OF 4

IND.	POS.ND.	PART NO.	VALUE	SPECIFICATIONS / EQUIVALENT	MANUF.	IND.	POS.ND.	PART NO.	VALUE	SPECIFICATIONS / EQUIVALENT	MANUF.	IND.	POS.ND.	PART NO.	VALUE	SPECIFICATIONS / EQUIVALENT	MANUF.	IND.	POS.ND.	PART NO.	VALUE	SPECIFICATIONS / EQUIVALENT	MANUF.		
C****1	59-22-1470	47u	50k 10V, ELECTROLYTIC	ANY	IC-402	50-06-0595	SN 74 LS 595 N	ANY	MP-111	24-16-1025	1 PCS	MP-111	24-16-1025	1 PCS	LOCK WASHER, M2.5	ANY	TP-***3	29-21-6002	TESTPOINT	ANY	TP-***4	29-21-6002	TESTPOINT	ANY	
C****2	1-010-00159	68 PCS	68W 50k 10V	St	IC-403	50-06-0595	SN 74 LS 595 N	ANY	MP-112	24-16-1025	1 PCS	MP-112	24-16-1025	1 PCS	LOCK WASHER, M2.5	ANY									
F****1	51-01-1122		FUSE, 3-15AT/250V, SP20mm	ANY	IC-404	50-06-0595	SN 74 LS 595 N	ANY	MP-113	28-21-1370	1 PCS	MP-113	28-21-1370	1 PCS	KEVTING NUT, D2-2595-5	ANY	W****1	04-01-0345	B0000mm	WIRE WRAP CABLE	ANY	AF****1	53-03-0142	CLAMP, 5K20	ANY
IC-101	50-06-0595	SN 74 LS 595 N	ANY	IC-405	50-06-0117	AM 28518 DE	ANY	MP-114	28-21-1370	1 PCS	MP-114	28-21-1370	1 PCS	KEVTING NUT, D2-2595-5	ANY	AF****2	53-03-0142	CLAMP, 5K20	ANY	AF****2	53-03-0142	CLAMP, 5K20	ANY		
IC-102	50-06-0595	SN 74 LS 595 N	ANY	IC-406	50-06-0244	SN 74 LS 244 N	ANY	MP-115	28-21-1370	1 PCS	MP-115	28-21-1370	1 PCS	KEVTING NUT, D2-2595-5	ANY										
IC-103	50-06-0595	SN 74 LS 595 N	ANY	IC-407	50-06-0000	SN 74 LS 00 N	ANY	MP-116	28-21-1370	1 PCS	MP-116	28-21-1370	1 PCS	KEVTING NUT, D2-2595-5	ANY										
IC-104	50-06-0595	SN 74 LS 595 N	ANY	IC-408	50-18-0008	PAL 16 A 4 CJ	(18614920) ANY	MP-117	28-21-1370	1 PCS	MP-117	28-21-1370	1 PCS	KEVTING NUT, D2-2595-5	ANY										
IC-106	50-06-0244	SN 74 LS 244 N	ANY	IC-409	50-18-0008	PAL 16 A 4 CJ	(18614920) ANY	MP-118	28-21-1370	1 PCS	MP-118	28-21-1370	1 PCS	KEVTING NUT, D2-2595-5	ANY										
IC-107	50-06-0322	SN 74 LS 322 AN	ANY	IC-410	50-18-0008	PAL 16 A 4 CJ	(18614920) ANY	MP-119	28-21-1370	1 PCS	MP-119	28-21-1370	1 PCS	KEVTING NUT, D2-2595-5	ANY										
IC-108	50-05-0206	N 92 S 123 N, MM 631-1 J (18614920)	ANY	IC-411	50-06-0074	SN 74 LS 74 N	ANY	MP-120	1-010-000-33	1 PCS	MP-120	1-010-000-33	1 PCS	MARKING HANDLE	ANY										
IC-110	50-14-0127	N 93 L 422 PC	ANY	IC-412	50-06-0074	SN 74 LS 74 N	ANY	MP-121	1-010-000-33	1 PCS	MP-121	1-010-000-33	1 PCS	MARKING HANDLE	ANY										
IC-111	50-14-0127	N 93 L 422 PC	ANY	IC-413	50-06-0074	SN 74 LS 74 N	ANY	MP-122	1-010-000-33	1 PCS	MP-122	1-010-000-33	1 PCS	MARKING HANDLE	ANY										
IC-112	50-14-0127	N 93 L 422 PC	ANY	IC-414	50-06-0074	SN 74 LS 74 N	ANY	MP-123	1-010-000-33	1 PCS	MP-123	1-010-000-33	1 PCS	MARKING HANDLE	ANY										
IC-121	50-14-0150	53V381-2 JS, DM 875 281 (18614920)	ANY	IC-415	50-06-0744	SN 74 LS 244 N	ANY	MP-124	1-010-000-33	1 PCS	MP-124	1-010-000-33	1 PCS	MARKING HANDLE	ANY										
IC-202	50-14-0150	53V381-2 JS, DM 875 281 (18614920)	ANY	IC-416	50-06-0744	SN 74 LS 244 N	ANY	MP-125	1-010-000-33	1 PCS	MP-125	1-010-000-33	1 PCS	MARKING HANDLE	ANY										
IC-203	50-14-0150	53V381-2 JS, DM 875 281 (18614920)	ANY	IC-417	50-06-0744	SN 74 LS 244 N	ANY	MP-126	1-010-000-33	1 PCS	MP-126	1-010-000-33	1 PCS	MARKING HANDLE	ANY										
IC-204	50-14-0150	53V381-2 JS, DM 875 281 (18614920)	ANY	IC-418	50-06-0744	SN 74 LS 244 N	ANY	MP-127	1-010-000-33	1 PCS	MP-127	1-010-000-33	1 PCS	MARKING HANDLE	ANY										
IC-205	50-14-0150	53V381-2 JS, DM 875 281 (18614920)	ANY	IC-419	50-06-0744	SN 74 LS 244 N	ANY	MP-128	1-010-000-33	1 PCS	MP-128	1-010-000-33	1 PCS	MARKING HANDLE	ANY										
IC-206	50-06-0374	SN 74 LS 374 N	ANY	IC-420	50-14-0127	N 93 L 422 PC	ANY	MP-129	1-010-000-33	1 PCS	MP-129	1-010-000-33	1 PCS	MARKING HANDLE	ANY										
IC-207	50-06-0609	SN 74 LS 609 N	ANY	IC-421	50-14-0127	N 93 L 422 PC	ANY	MP-130	1-010-000-33	1 PCS	MP-130	1-010-000-33	1 PCS	MARKING HANDLE	ANY										
IC-208	50-05-0206	N 92 S 123 N, MM 631-1 J (18614920)	ANY	IC-422	50-14-0127	N 93 L 422 PC	ANY	MP-131	1-010-000-33	1 PCS	MP-131	1-010-000-33	1 PCS	MARKING HANDLE	ANY										
IC-210	50-14-0127	N 93 L 422 PC	ANY	J****1	54-14-5028	CONNECTOR 6A-PIN FLAT	ANY	MP-132	1-010-000-33	1 PCS	MP-132	1-010-000-33	1 PCS	MARKING HANDLE	ANY										
IC-212	50-14-0127	N 93 L 422 PC	ANY	L****1	62-01-0115	WIDE-BAND HI-CHOKE	PH	P****1	04-01-0394	1 PCS	P****1	04-01-0394	1 PCS	CARD CONNECTOR, 3X32 EURO WIRE WRAP	ANY										
IC-201	50-06-0374	SN 74 LS 374 N	ANY					P****2	1-010-000-33	1126 PCS	P****2	1-010-000-33	1126 PCS	CONTACT PINS, QTY=1126	ANY										
IC-303	50-06-0374	SN 74 LS 374 N	ANY					P****3	1-010-000-33	165 PCS	P****3	1-010-000-33	165 PCS	DUMMY PINS, QTY=165	ANY	REMARKS:									
IC-304	50-06-0374	SN 74 LS 374 N	ANY	MP-***1	21-01-0277	1 PCS	SCREW CYLIND HEAD, M2.5X4	ANY	P****4	1-010-000-33	64 PCS	P****4	1-010-000-33	64 PCS	FRONT PIN, QTY=64	ANY									
IC-305	50-06-0374	SN 74 LS 374 N	ANY	MP-***2	21-01-0277	1 PCS	SCREW CYLIND HEAD, M2.5X4	ANY	R2-105	57-85-3102	1510K	R2-105	57-85-3102	1510K	2%, DIL16	ANY	MANUFACTURERS:								
IC-306	50-06-0244	SN 74 LS 244 N	ANY	MP-***3	21-01-0277	1 PCS	SCREW CYLIND HEAD, M2.5X4	ANY	R2-209	57-85-3102	1510K	R2-209	57-85-3102	1510K	2%, DIL16	ANY	St = STUDER / Ph = PHILIPS								
IC-307	50-18-0008	LDA-BRON (18614920)	ANY	MP-***4	21-01-0277	1 PCS	SCREW CYLIND HEAD, M2.5X4	ANY	R2-603	57-85-3103	1510K	R2-603	57-85-3103	1510K	5%, DIL16	ANY									
IC-308	50-14-0114	TBP 28L 22W, 630V-IN (18614920)	ANY	MP-***5	21-01-0277	1 PCS	SCREW CONIFERSINK HEAD, M2.5X4	ANY	R2-605	57-85-3103	1510K	R2-605	57-85-3103	1510K	5%, DIL16	ANY	ABBREVIATIONS:								
IC-309	50-06-0273	DM 74 LS 273 N	ANY	MP-***6	21-01-0277	1 PCS	SCREW CONIFERSINK HEAD, M2.5X4	ANY	R2-606	57-85-3103	1510K	R2-606	57-85-3103	1510K	5%, DIL16	ANY	CR = CERAMIC / FILM = FILM TYPE / XF = CLAMP FOR FUSES /								
IC-310	50-06-0273	DM 74 LS 273 N	ANY	MP-***7	21-01-0277	1 PCS	SCREW CONIFERSINK HEAD, M2.5X4	ANY	R2-607	57-85-3103	1510K	R2-607	57-85-3103	1510K	5%, DIL16	ANY	XIC = IC SOCKET								
IC-311	50-06-0322	SN 74 LS 322 AN	ANY	MP-***8	21-01-0277	1 PCS	SCREW CONIFERSINK HEAD, M2.5X4	ANY	TP****1	29-21-6002	TESTPOINT	TP****1	29-21-6002	TESTPOINT	ANY	DREG 85/26/11									
IC-312	50-06-0374	SN 74 LS 374 N	ANY	MP-***9	24-16-1025	1 PCS	LOCK WASHER, M2.5	ANY	TP****2	29-21-6002	TESTPOINT	TP****2	29-21-6002	TESTPOINT	ANY										
IC-301	50-06-0595	SN 74 LS 595 N	ANY	MP-***10	24-16-1025	1 PCS	LOCK WASHER, M2.5	ANY																	

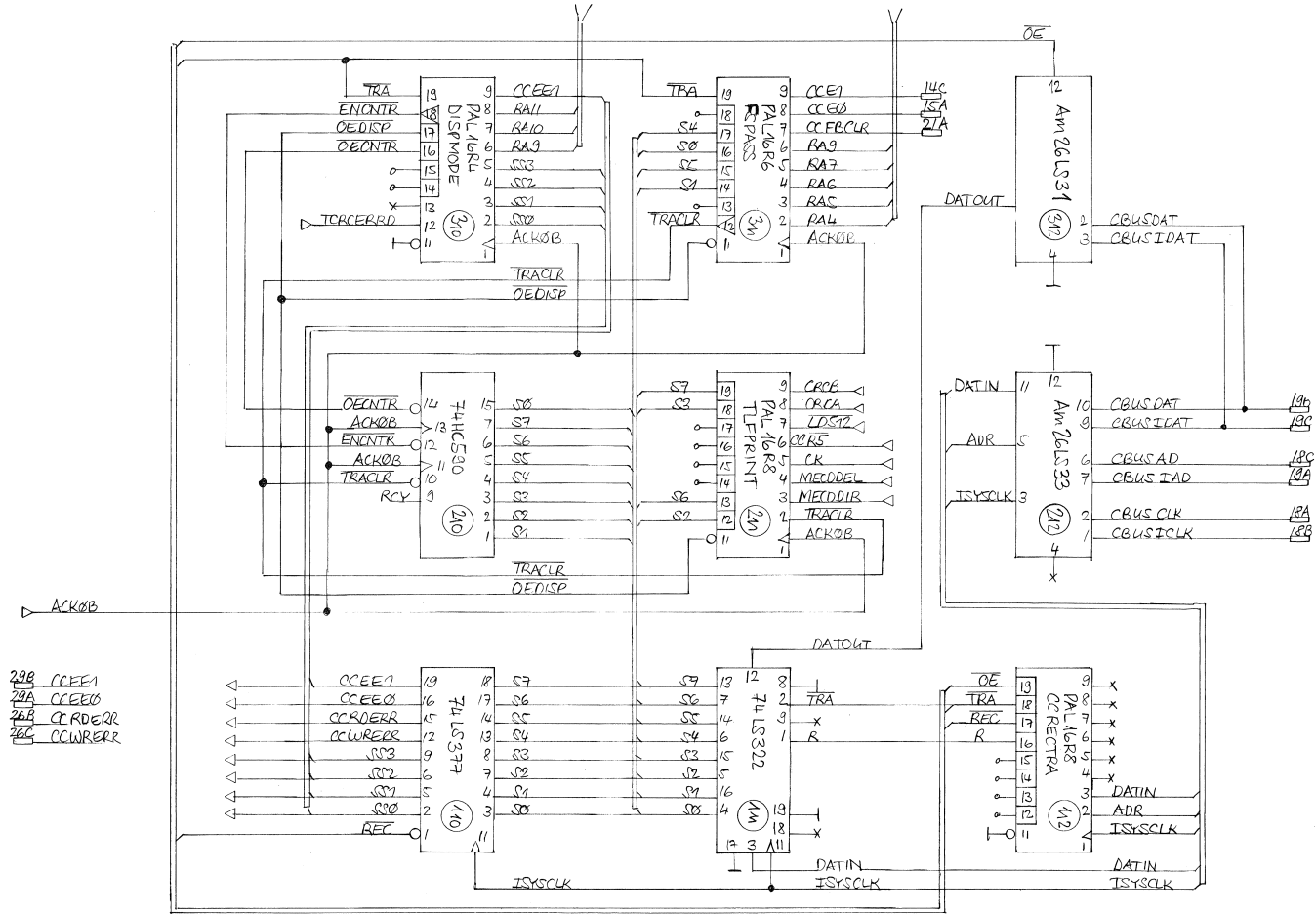






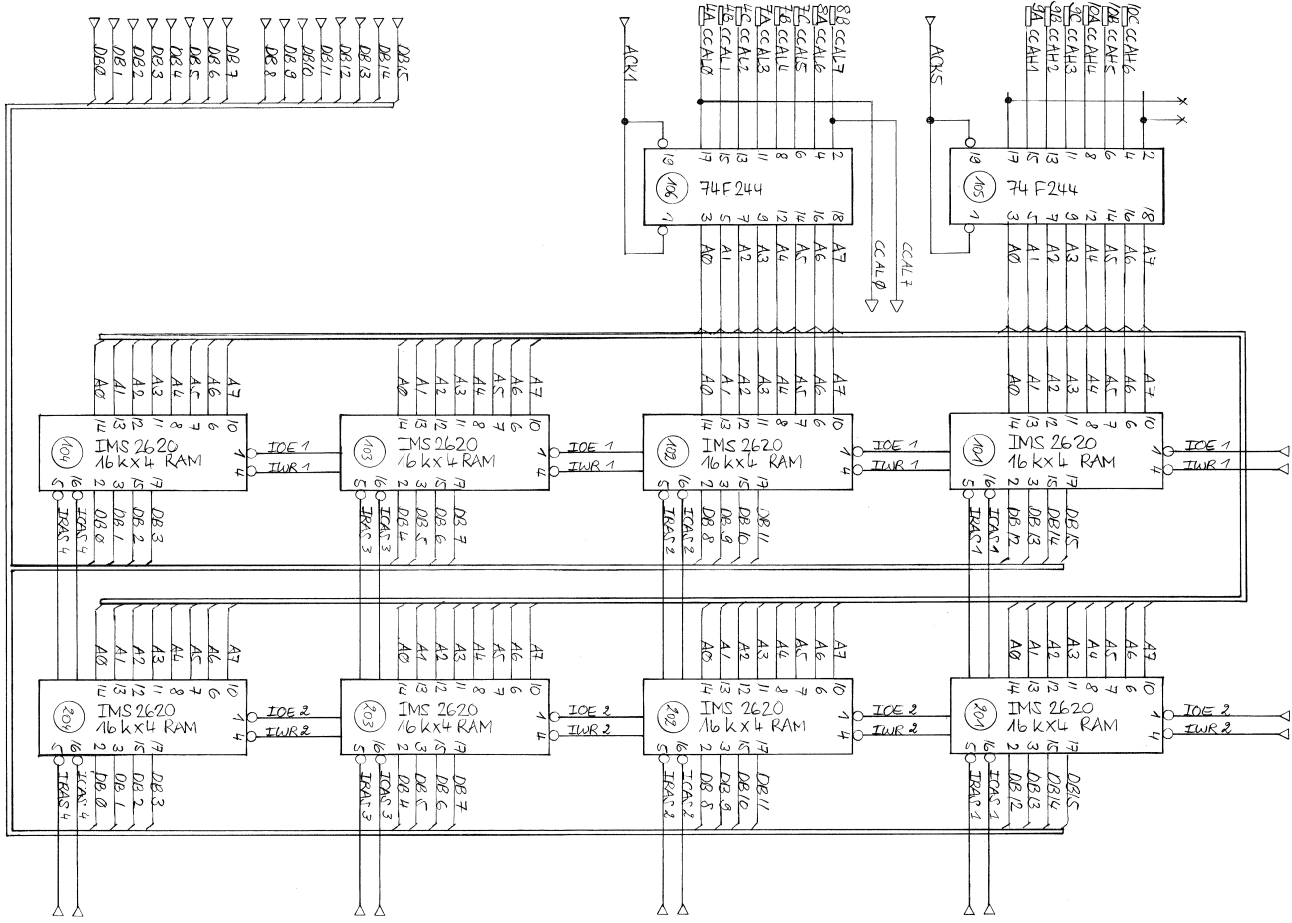
30.9.85	31.8.86	HPG	PAGE 4 OF 5
STUDER					
D820X					
CODEC CONTROL / SPICE HANDLING					
1.861.857.00					

30.4.85	D820 X	STUDER	CODEC CONTROL	QUALITY DISPLAY	CB	1.861.857.00
						PAGE 5 OF 5



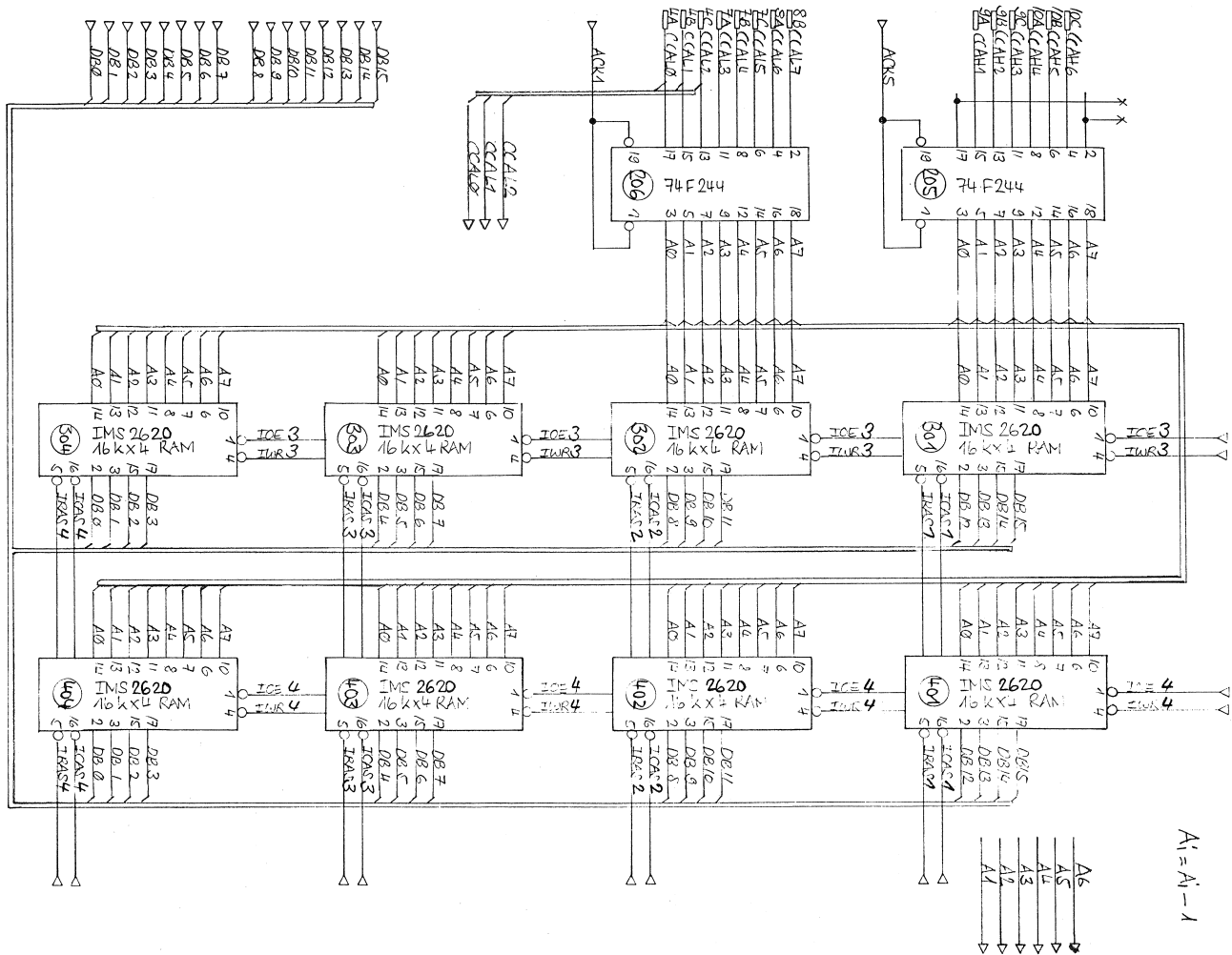
- 29B CCE1
- 29A CCE0
- 26B CCEBCLR
- 26C CCWRERR

IND.	POS.ND.	PART NO.	VALUE	SPECIFICATIONS / EQUIVALENT	MANUF.	IND.	POS.ND.	PART NO.	VALUE	SPECIFICATIONS / EQUIVALENT	MANUF.	IND.	POS.ND.	PART NO.	VALUE	SPECIFICATIONS / EQUIVALENT	MANUF.	IND.	POS.ND.	PART NO.	VALUE	SPECIFICATIONS / EQUIVALENT	MANUF.		
E*****		502523470	47u	5025 10W ELECTROLYTIC	ANY	IC+512	502510018	AW 20 L5 38 PC	ANY	MP+112	24-1610255														
E*****		14030401-09	8mm	5025 10W 17V6%	SE	IC+501	502510109	74 F 109	ANY	MP+113	24-2113370														
F*****		51-01-0123		FUSE, 6AT/250V, 5P20mm	ANY	IC+402	502510120	74 F 109	ANY	MP+114	24-2113370														
IC+101		50-21-0169		74 F 109	ANY	IC+403	502510109	74 F 109	ANY	MP+115	24-2113370														
IC+102		50-14-0120		TBP 20 S 42 N, 51248 PHOM (180160220)	ANY	IC+405	502510008	SN 74 F 08	ANY	MP+116	24-2113370														
IC+103		50-14-0120		TBP 20 S 42 N, 51248 PHOM (180160220)	ANY	IC+406	502510008	SN 74 F 08	ANY	MP+117	24-2113370														
IC+104		50-06-0377		SN 74 L5 377 N	ANY	IC+410	502510012	PAL 10 R 8 A=2CN	(180161820)	ANY	MP+118	24-2113370													
IC+105		50-06-0377		SN 74 L5 377 N	ANY	IC+411	502510116	TW 218 AF15 RAM	ANY	MP+119	24-2113370														
IC+106		50-06-0244		SN 74 L5 244 N	ANY	IC+412	502510283	SN 74 L5 283 N	ANY	MP+120	24-2113370														
IC+107		50-18-0009		PAL 10 L 8 A=2CN	(180160620)	IC+501	502510102	SN 74 F 32 N	ANY	MP+121	24-2113370														
IC+108		50-18-0009		PAL 10 L 8 A=2CN	(180160620)	IC+502	502510008	SN 74 F 08	ANY	MP+122	24-2113370														
IC+109		50-06-0377		SN 74 L5 377 N	ANY	IC+503	502510008	SN 74 F 08	ANY	MP+123	24-2113370														
IC+110		50-06-0377		SN 74 L5 377 N	ANY	IC+504	502510074	SN 74 F 74	ANY	MP+124	24-2113370														
IC+111		50-06-0377		SN 74 L5 377 N	ANY	IC+505	502510074	SN 74 F 74	ANY	MP+125	24-2113370														
IC+112		50-18-0012		PAL 10 R 8 A=2CN	(180160920)	IC+510	502510011	PAL 10 R 8 A=2CN	(180161920)	ANY	MP+126	24-2113370													
IC+113		50-21-0169		74 F 109	ANY	IC+511	502510116	TW 218 AF15 RAM	(180162020)	ANY	MP+127	24-2113370													
IC+114		50-14-0120		TBP 20 S 42 N, 51248 PHOM (180160220)	ANY	IC+512	502510283	SN 74 L5 283 N	(180162120)	ANY	MP+128	24-2113370													
IC+115		50-14-0120		TBP 20 S 42 N, 51248 PHOM (180160220)	ANY	IC+513	502510116	PAL 10 R 8 A=2CN	(180162220)	ANY	MP+129	24-2113370													
IC+116		50-21-0169		74 F 109	ANY	IC+514	502510011	PAL 10 R 8 A=2CN	(180162320)	ANY	MP+130	24-2113370													
IC+117		50-21-0169		74 F 109	ANY	IC+515	502510011	PAL 10 R 8 A=2CN	(180162420)	ANY	MP+131	24-2113370													
IC+118		50-06-0283		SN 74 L5 283 N	ANY	IC+516	502510008	PAL 10 L 8 A=2CN	(180162520)	ANY	MP+132	24-2113370													
IC+119		50-18-0010		PAL 10 R 8 A=2CN	(180161020)	IC+517	502510008	PAL 10 L 8 A=2CN	(180162620)	ANY	MP+133	24-2113370													
IC+120		50-18-0010		PAL 10 R 8 A=2CN	(180161020)	IC+518	502510008	PAL 10 L 8 A=2CN	(180162720)	ANY	MP+134	24-2113370													
IC+121		50-18-0012		AW 20 L5 38 PC	ANY	L*****	62-01-0115	WIDE-BAND HF-CHECK	PH	F*****	54-01-0354														
IC+122		50-18-0012		AW 20 L5 38 PC	ANY	MP+111	21-01-0279	SCREEN CYLIND. HEAD, M2-506	ANY	F*****	1410-025-34														
IC+123		50-21-0169		74 F 109	ANY	MP+112	21-01-0279	SCREEN CYLIND. HEAD, M2-506	ANY	F*****	1410-025-34														
IC+124		50-06-0244		TBP 20 S 42 N, 51248 PHOM (180163020)	ANY	MP+113	21-01-0279	SCREEN CYLIND. HEAD, M2-506	ANY	(01) F+206	57-88-131	8F330	5% DIL 16	ANY	REMARKS: MOD 61: A206 REPLACED BY RZ206, 3 NEW IC DUE TO SPLICING IMPROVEMENTS										
IC+125		50-06-0244		TBP 20 S 42 N, 51248 PHOM (180163020)	ANY	MP+114	21-01-0279	SCREEN CYLIND. HEAD, M2-506	ANY	F+208	57-85-103	19010K	5% DIL 16	ANY	MANUFACTURERS:										
IC+126		50-21-0169		74 F 109	ANY	MP+115	21-01-0279	SCREEN CYLIND. HEAD, M2-506	ANY	F+209	57-85-103	19010K	5% DIL 16	ANY	SE = STUDER / PH = PHILIPS										
IC+127		50-06-0283		SN 74 L5 283 N	ANY	MP+116	21-01-0279	SCREEN CYLIND. HEAD, M2-506	ANY	F+403	57-85-103	19010K	5% DIL 16	ANY											
IC+128		50-21-0169		74 F 109	ANY	MP+117	21-01-0279	SCREEN CYLIND. HEAD, M2-506	ANY	F+505	57-85-103	19010K	5% DIL 16	ANY											
IC+129		50-18-0010		PAL 10 R 8 A=2CN	(180161220)	MP+118	21-01-0279	SCREEN CYLIND. HEAD, M2-506	ANY	T+111	29-21-002	TESTPOINT		ANY	ABBREVIATIONS:										
IC+130		50-18-0010		PAL 10 R 8 A=2CN	(180161220)	MP+119	29-16-1025	LOCK WASHER, M2-5	ANY	T+112	29-21-002	TESTPOINT		ANY	CER = CERAMIC / FILM = FILM TYPE / XF = CLAMP FOR FUSES /										
IC+131		50-18-0011		PAL 10 R 8 A=2CN	(180161520)	MP+120	29-16-1025	LOCK WASHER, M2-5	ANY	T+113	29-21-002	TESTPOINT		ANY	*IC = IC SOCKET										
						MP+121	29-16-1025	LOCK WASHER, M2-5	ANY	T+114	29-21-002	TESTPOINT		ANY	ORIG 86/02/27 (20) 86/10/06										
S T U D E R	(20)	86/10/06 01	CODEC CONTROL	1.861.857.00	PAGE 1	S T U D E R	(20)	86/10/06 01	CODEC CONTROL	1.861.857.00	PAGE 2	S T U D E R	(20)	86/10/06 01	CODEC CONTROL	1.861.857.00	PAGE 3	S T U D E R	(20)	86/10/06 01	CODEC CONTROL	1.861.857.00	PAGE 4		



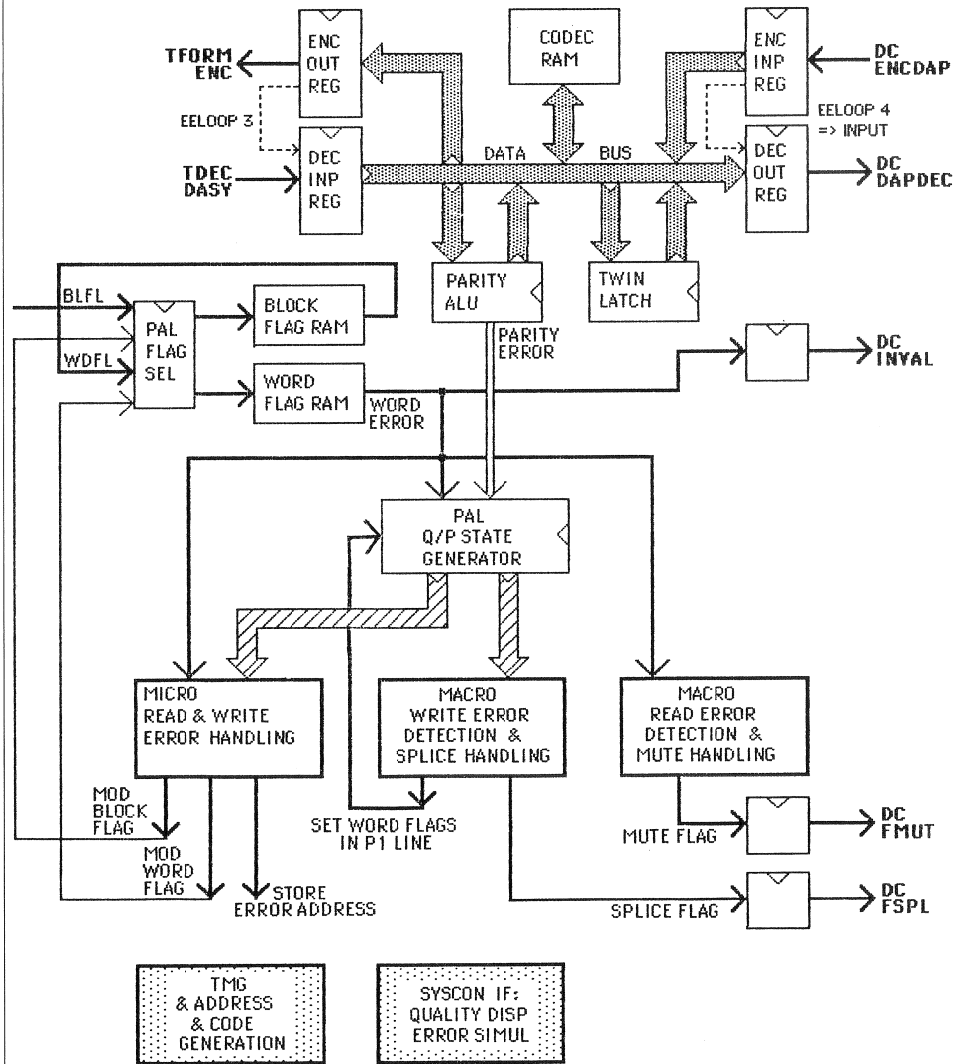
1.861.858.00	820 X		
STUDER	CODEC MEMORY	C6	PAGE 2 OF 6
			1.861.858.00

01.085	Decoder data RAM		PAGE 3 OF 6
STUDER	CODEC MEMORY	D 820 X	INDEX 1861.858.



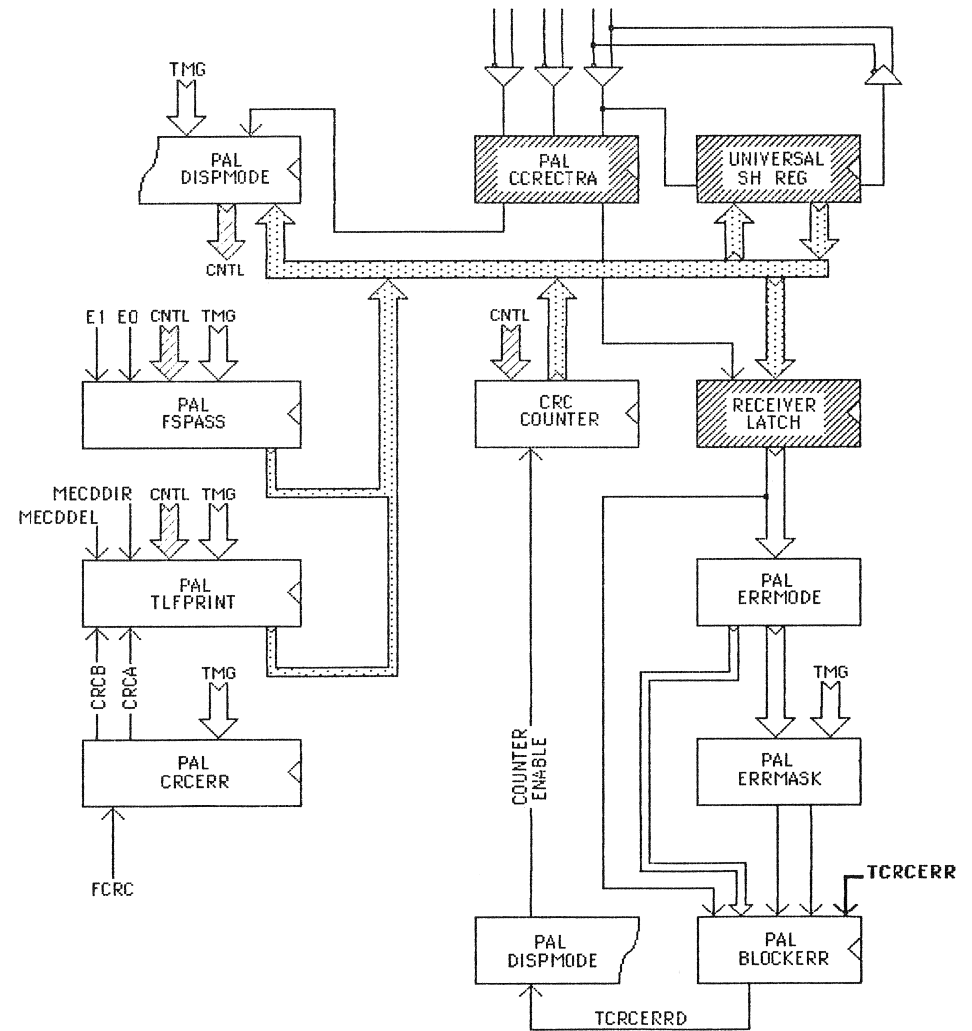
IND.	POS.ND.	PART NDL	VALUE	SPECIFICATIONS / EQUIVALENT	MANUF.	IND.	POS.ND.	PART NDL	VALUE	SPECIFICATIONS / EQUIVALENT	MANUF.	IND.	POS.ND.	PART NDL	VALUE	SPECIFICATIONS / EQUIVALENT	MANUF.	IND.	POS.ND.	PART NDL	VALUE	SPECIFICATIONS / EQUIVALENT	MANUF.	
C****1	59*25*1470	476	501	10x ELECTROLYTIC	ANY	IC***10	50*18*0011	PAL 16 R 8 A*2CN	(180163020)	ANY	MP****14	28*21*1370	1	PCB	REVETING NUT* 02*595*5	ANY	XF****1	53*03*0142	CLAMP, 5*20	ANY				
C****2	1*010*001*99	41	PCB	48H 50x 10V	SE	IC***11	50*18*0011	PAL 16 R 8 A*2CN	(180163020)	ANY	MP****15	28*21*1370	1	PCB	REVETING NUT* 02*595*5	ANY	XF****2	53*03*0142	CLAMP, 5*20	ANY				
F****1	51*01*0124			FUSI, SAT*250V, 5*20mm	ANY	IC***12	50*18*0012	PAL 16 R 8 A*2CN	(180163020)	ANY	MP****16	28*21*1370	1	PCB	REVETING NUT* 02*595*5	ANY								
IC***101	50*14*0131			IMS 2620P*10, 16K*4 RAM	ANY	IC***13	50*14*0131	IMS 2620P*10, 16K*4 RAM	ANY	MP****17	1*010*001*13	1	PCB	MARKING HANDLE	ANY									
IC***102	50*14*0131			IMS 2620P*10, 16K*4 RAM	ANY	IC***14	50*14*0131	IMS 2620P*10, 16K*4 RAM	ANY	MP****18	1*010*001*18	1	PCB	MARKING HANDLE	ANY									
IC***103	50*14*0131			IMS 2620P*10, 16K*4 RAM	ANY	IC***15	50*14*0131	IMS 2620P*10, 16K*4 RAM	ANY	MP****19	1*010*001*19	1	PCB	MARKING HANDLE	ANY									
IC***104	50*14*0131			IMS 2620P*10, 16K*4 RAM	ANY	IC***16	50*06*0166	SN 74 LS 168 N	ANY	MP****20	1*010*001*20	1	PCB	MARKING HANDLE	ANY									
IC***105	50*14*0131			IMS 2620P*10, 16K*4 RAM	ANY	IC***17	50*06*0166	SN 74 LS 168 N	ANY	MP****21	1*010*001*21	1	PCB	MARKING HANDLE	ANY									
IC***106	50*21*0244			SN 74 F 244 N	ANY	IC***18	50*06*0166	SN 74 LS 168 N	ANY	MP****22	1*010*001*22	1	PCB	MARKING HANDLE	ANY									
IC***107	50*21*0244			SN 74 LS 244 N	ANY	IC***19	50*06*0166	SN 74 LS 168 N	ANY	MP****23	1*010*001*23	1	PCB	MARKING HANDLE	ANY									
IC***108	50*21*0244			SN 74 F 244 N	ANY	IC***20	50*06*0166	SN 74 LS 168 N	ANY	MP****24	1*010*001*24	1	PCB	MARKING HANDLE	ANY									
IC***109	50*21*0244			SN 74 LS 244 N	ANY	IC***21	50*06*0166	SN 74 LS 168 N	ANY	MP****25	1*010*001*25	1	PCB	MARKING HANDLE	ANY									
IC***110	50*18*0110			PAL 16 R 8 A*2 CN	(180164020)	IC***22	50*06*0166	SN 74 LS 168 N	ANY	MP****26	1*010*001*26	1	PCB	MARKING HANDLE	ANY									
IC***111	50*18*0110			PAL 16 R 8 A*2 CN	(180164020)	IC***23	50*06*0166	SN 74 LS 168 N	ANY	MP****27	1*010*001*27	1	PCB	MARKING HANDLE	ANY									
IC***112	50*21*0409			SN 74 F 08	ANY	IC***24	50*06*0166	SN 74 LS 168 N	ANY	MP****28	1*010*001*28	1	PCB	MARKING HANDLE	ANY									
IC***201	50*14*0131			IMS 2620P*10, 16K*4 RAM	ANY	IC***25	50*06*0166	SN 74 LS 168 N	ANY	MP****29	1*010*001*29	1	PCB	MARKING HANDLE	ANY									
IC***202	50*14*0131			IMS 2620P*10, 16K*4 RAM	ANY	IC***26	50*06*0166	SN 74 LS 168 N	ANY	MP****30	1*010*001*30	1	PCB	MARKING HANDLE	ANY									
IC***203	50*14*0131			IMS 2620P*10, 16K*4 RAM	ANY	IC***27	50*06*0166	SN 74 LS 168 N	ANY	MP****31	1*010*001*31	1	PCB	MARKING HANDLE	ANY									
IC***204	50*14*0131			IMS 2620P*10, 16K*4 RAM	ANY	IC***28	50*06*0166	SN 74 LS 168 N	ANY	MP****32	1*010*001*32	1	PCB	MARKING HANDLE	ANY									
IC***205	50*14*0131			IMS 2620P*10, 16K*4 RAM	ANY	IC***29	50*06*0166	SN 74 LS 168 N	ANY	MP****33	1*010*001*33	1	PCB	MARKING HANDLE	ANY									
IC***206	50*21*0244			SN 74 F 244 N	ANY	IC***30	50*06*0166	SN 74 LS 168 N	ANY	MP****34	1*010*001*34	1	PCB	MARKING HANDLE	ANY									
IC***207	50*14*0131			IMS 2620P*10, 16K*4 RAM	ANY	IC***31	50*06*0166	SN 74 LS 168 N	ANY	MP****35	1*010*001*35	1	PCB	MARKING HANDLE	ANY									
IC***208	50*14*0131			IMS 2620P*10, 16K*4 RAM	ANY	IC***32	50*06*0166	SN 74 LS 168 N	ANY	MP****36	1*010*001*36	1	PCB	MARKING HANDLE	ANY									
IC***209	50*06*0166			SN 74 LS 167 N	ANY	IC***33	50*06*0166	SN 74 LS 168 N	ANY	MP****37	1*010*001*37	1	PCB	MARKING HANDLE	ANY									
IC***210	50*21*0409			SN 74 F 32	ANY	IC***34	50*06*0166	SN 74 LS 168 N	ANY	MP****38	1*010*001*38	1	PCB	MARKING HANDLE	ANY									
IC***211	50*21*0409			SN 74 F 32	ANY	IC***35	50*06*0166	SN 74 LS 168 N	ANY	MP****39	1*010*001*39	1	PCB	MARKING HANDLE	ANY									
IC***301	50*14*0131			IMS 2620P*10, 16K*4 RAM	ANY	IC***36	50*06*0166	SN 74 LS 168 N	ANY	MP****40	1*010*001*40	1	PCB	MARKING HANDLE	ANY									
IC***302	50*14*0131			IMS 2620P*10, 16K*4 RAM	ANY	IC***37	50*06*0166	SN 74 LS 168 N	ANY	MP****41	1*010*001*41	1	PCB	MARKING HANDLE	ANY									
IC***303	50*14*0131			IMS 2620P*10, 16K*4 RAM	ANY	IC***38	50*06*0166	SN 74 LS 168 N	ANY	MP****42	1*010*001*42	1	PCB	MARKING HANDLE	ANY									
IC***304	50*14*0131			IMS 2620P*10, 16K*4 RAM	ANY	IC***39	50*06*0166	SN 74 LS 168 N	ANY	MP****43	1*010*001*43	1	PCB	MARKING HANDLE	ANY									
IC***305	50*18*0016			PAL 12 L 6 CN	(180164120)	IC***40	50*06*0166	SN 74 LS 168 N	ANY	MP****44	1*010*001*44	1	PCB	MARKING HANDLE	ANY									
IC***306	50*18*0016			PAL 10 L 6 CN	(180164120)	IC***41	50*06*0166	SN 74 LS 168 N	ANY	MP****45	1*010*001*45	1	PCB	MARKING HANDLE	ANY									
IC***307	50*18*0016			PAL 10 L 6 CN	(180164120)	IC***42	50*06*0166	SN 74 LS 168 N	ANY	MP****46	1*010*001*46	1	PCB	MARKING HANDLE	ANY									
IC***308	50*18*0012			PAL 16 R 8 A*2CN	(180163020)	IC***43	50*06*0166	SN 74 LS 168 N	ANY	MP****47	1*010*001*47	1	PCB	MARKING HANDLE	ANY									
IC***309	50*18*0012			PAL 16 R 8 A*2CN	(180163020)	IC***44	50*06*0166	SN 74 LS 168 N	ANY	MP****48	1*010*001*48	1	PCB	MARKING HANDLE	ANY									
S T U D E R (20) 86/09/12 01	CODEC MEMORY		1*861*858*00	PAGE 1		S T U D E R (20) 86/09/12 01	CODEC MEMORY		1*861*858*00	PAGE 2		S T U D E R (20) 86/09/12 01	CODEC MEMORY		1*861*858*00	PAGE 3		S T U D E R (20) 86/09/12 01	CODEC MEMORY		1*861*858*00	PAGE 4		

CODEC STRUCTURE




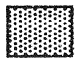
21.08.85 CB

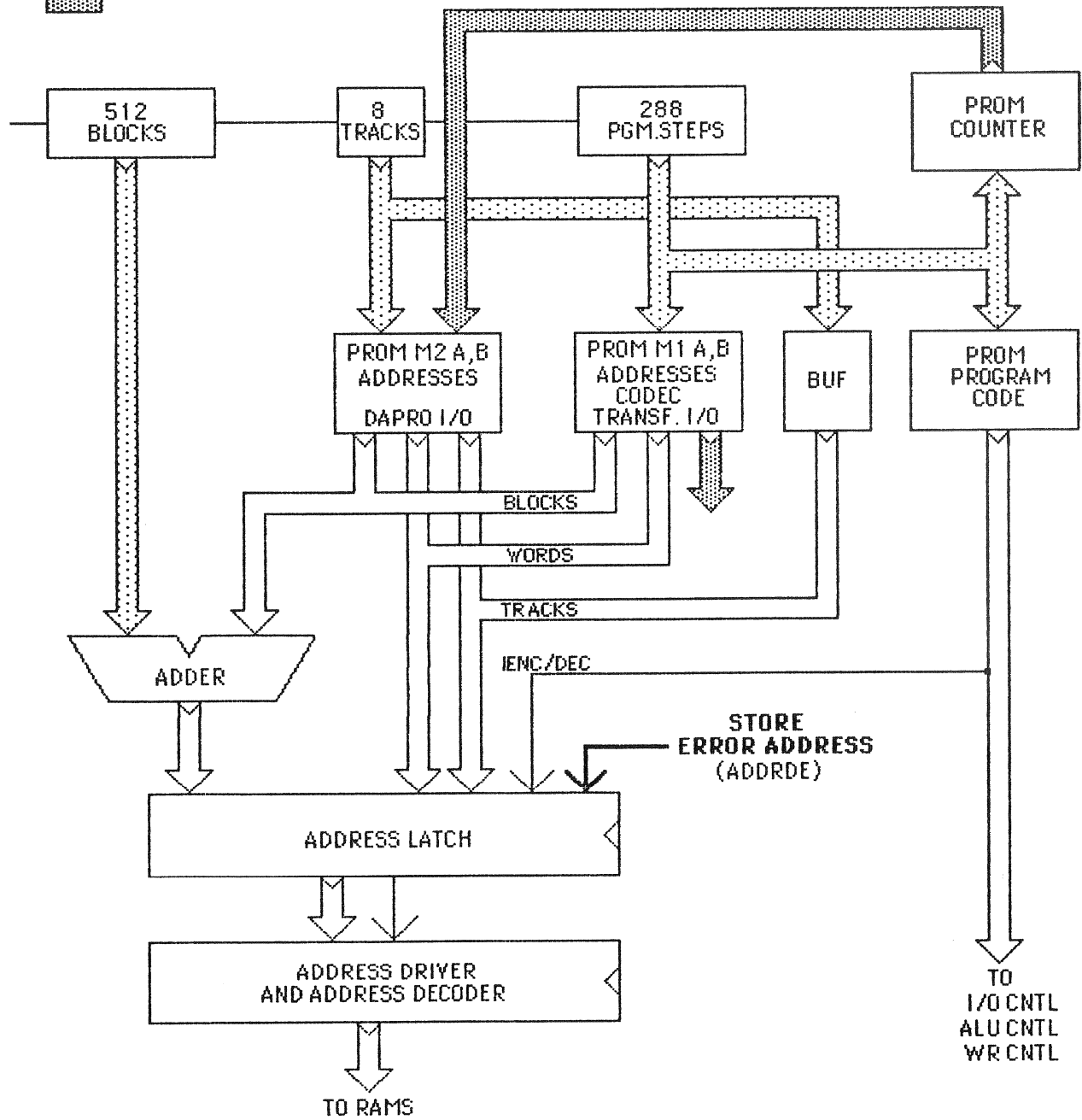
SYSCON INTERFACE: QUALITY DISPLAY AND ERROR SIMULATION



23.08.85 CB

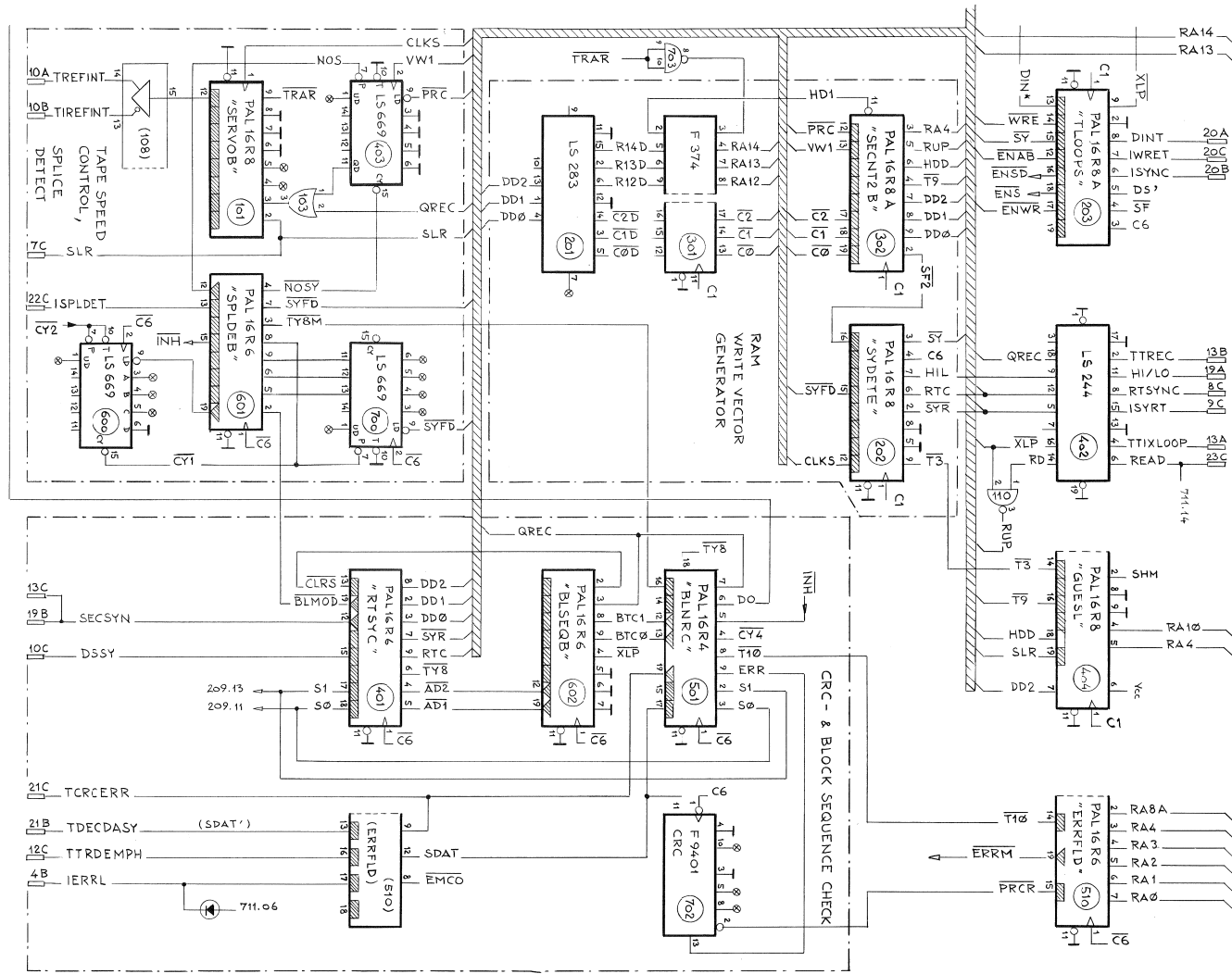
TMG & ADDRESS & CODE GENERATION

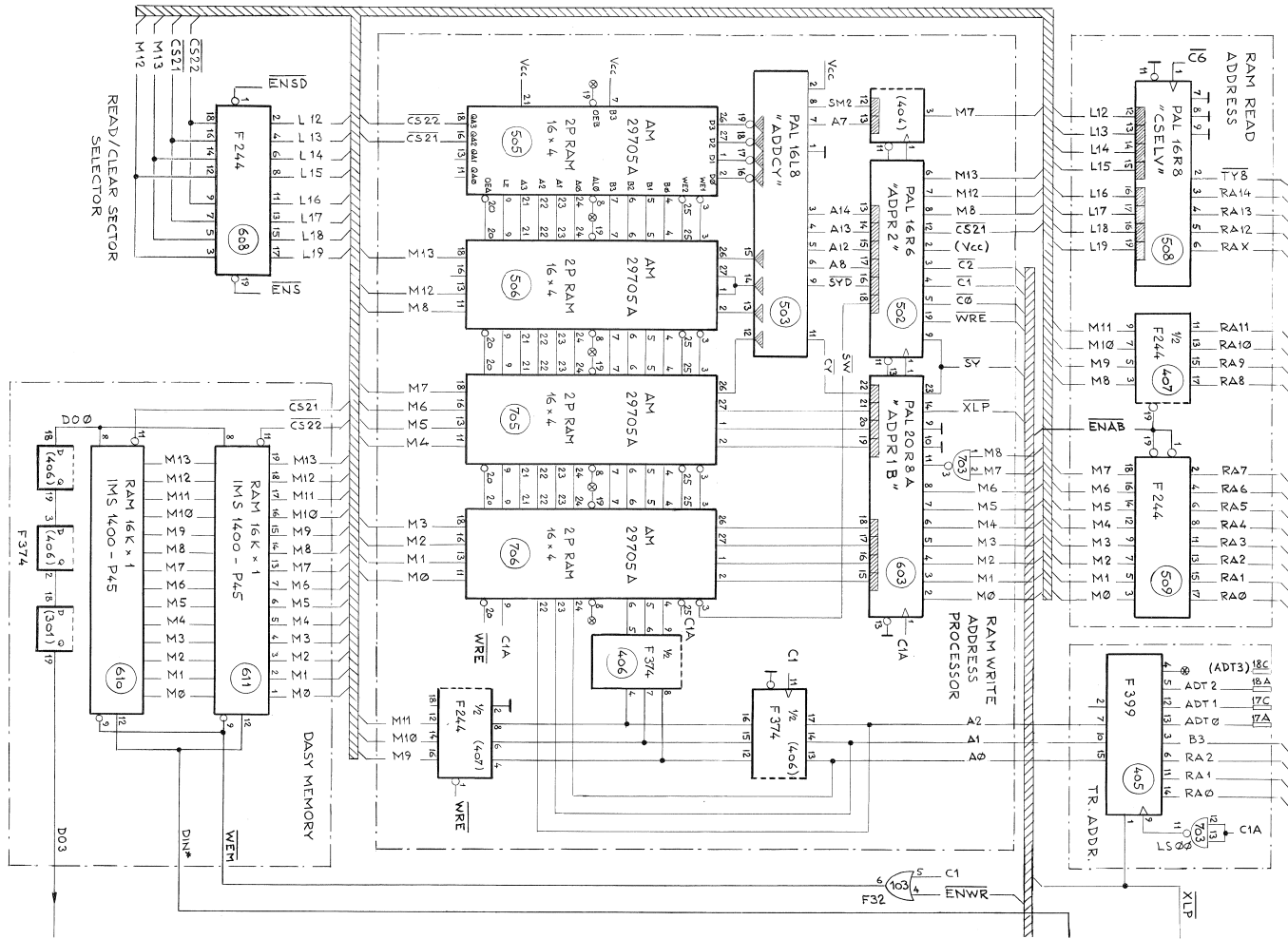
 BASIC TIMING
 ADDITIONAL TMG

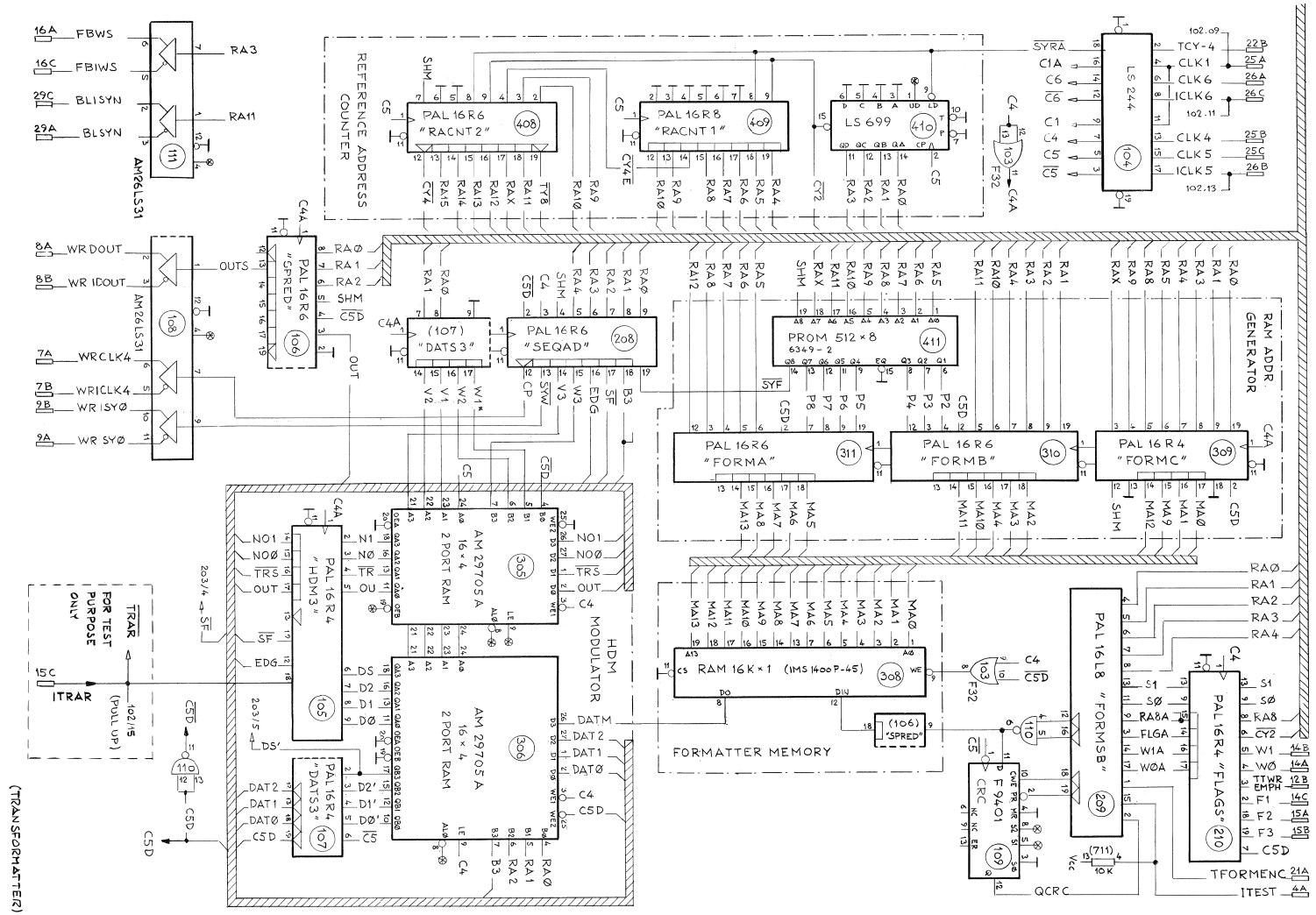


20.08.85 CB

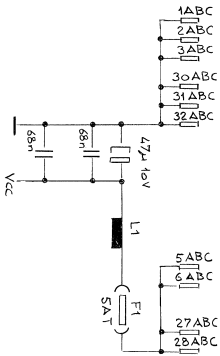
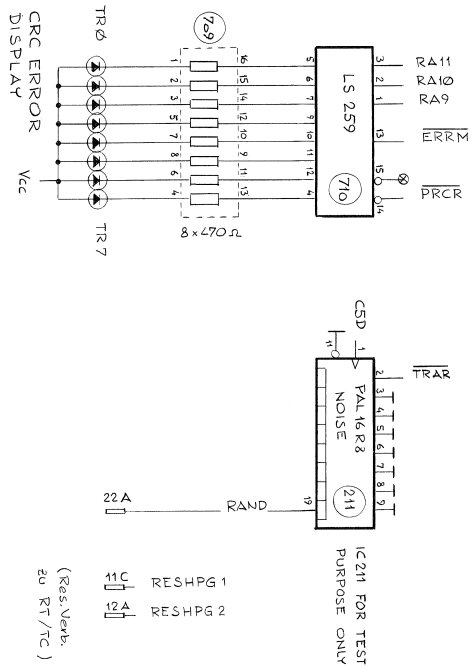
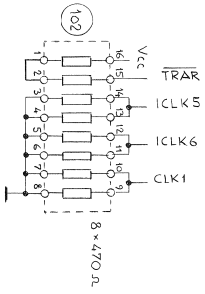
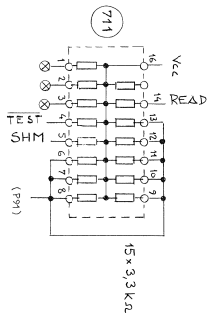
0	9.9.86 HPG	1	7.1.87 HPG
STUDER		D820X		TRANSFORMATTER	
				PAGE 1 OF 4	
				1.861.859.00	





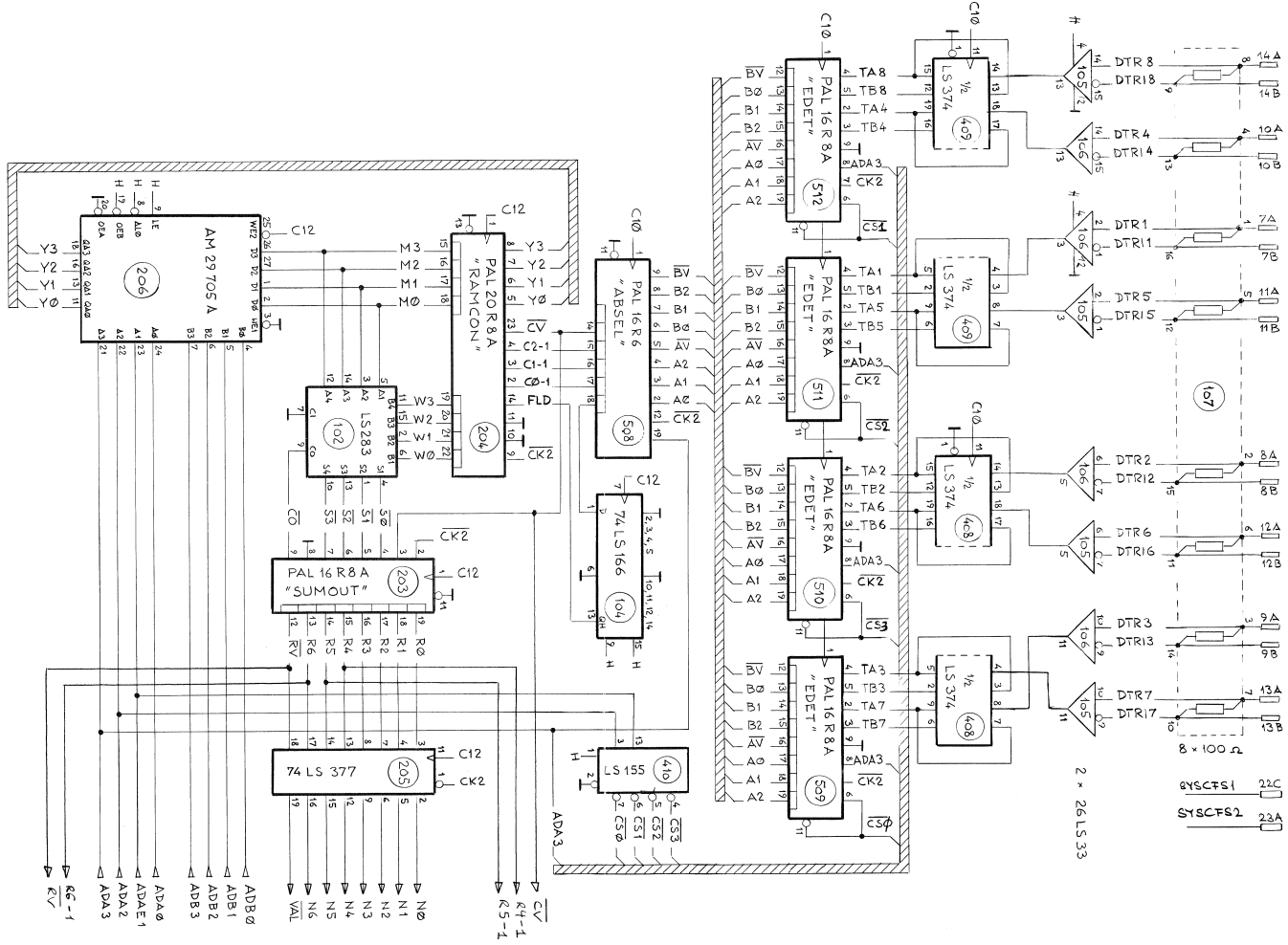


① 23.0485 HPG	① 29.9.85 HPG	② 9.9.86 HPG	• • •
STUDER		TRANSFORMATTER	
			PAGE 4 OF 4
			1.861.859.00

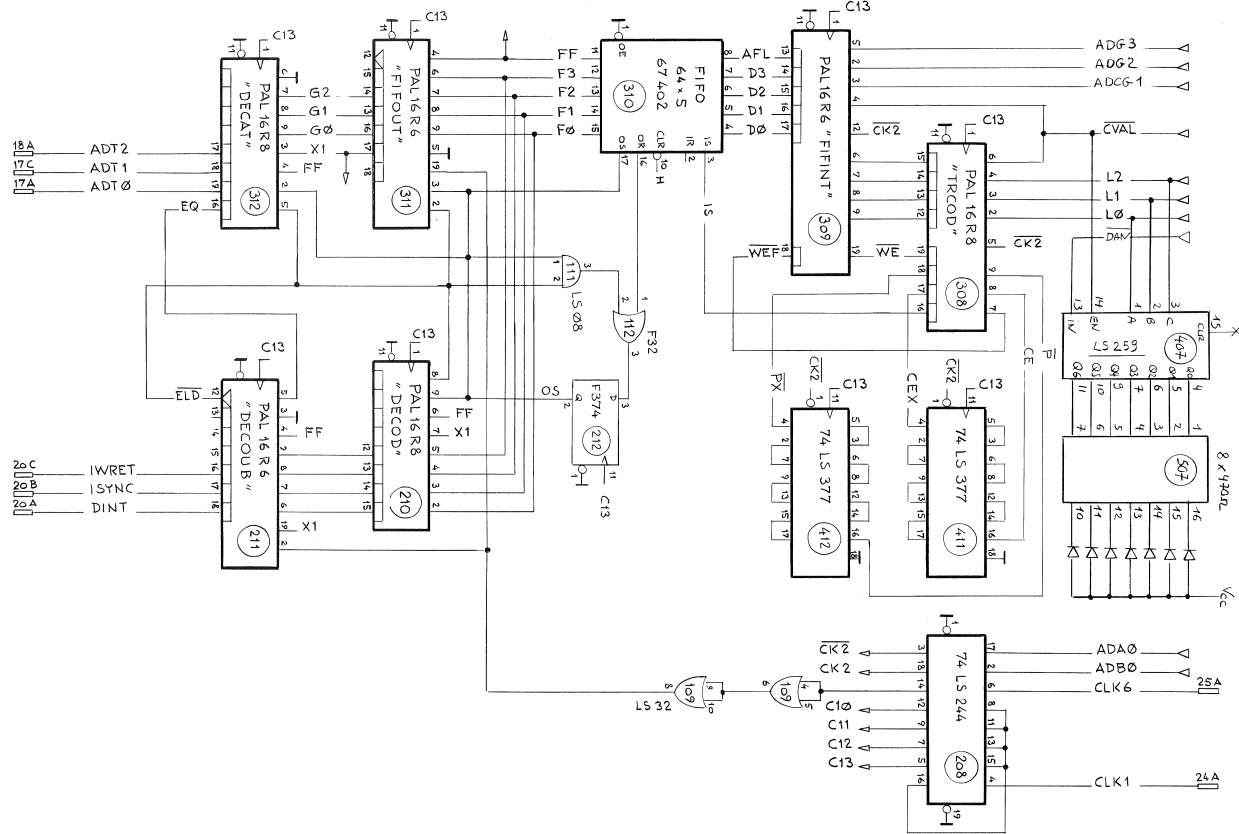


IND.	POS.NO.	PART NO.	VALUE	SPECIFICATIONS / EQUIVALENT	MANUF.	IND.	POS.NO.	PART NO.	VALUE	SPECIFICATIONS / EQUIVALENT	MANUF.	IND.	POS.NO.	PART NO.	VALUE	SPECIFICATIONS / EQUIVALENT	MANUF.	IND.	POS.NO.	PART NO.	VALUE	SPECIFICATIONS / EQUIVALENT	MANUF.			
C	470	59.25.1470	470	SCIL 10V, ELECTROLYTIC	ANY	IC	309	90.18.0010	PAL 16 R 8 A-2 CN	(180164920)	ANY	IC	705	90.14.0128	AM 29705 A, 29 F 705	ANY	MP	332	1.010.128.49	1	PCS	GUIDING TEMPLATE	ST			
(00)	40	1.010.001.59	40	68M 50V, 10V	SK	IC	310	90.18.0011	PAL 16 R 8 A-2 CN	(180164920)	ANY	IC	706	90.14.0129	AM 29705 A, 29 F 705	ANY	P	1	94.01.0354			CARD CONNECTOR, 3532 EURO WIRE WRAP	ANY			
(01)	39	1.010.001.59	39	68M 50V, 10V	SK	IC	311	90.18.0011	PAL 16 R 8 A-2 CN	(180164920)	ANY	IC	710	90.90.0070	SM 74 LS 250 N	ANY	P	2	1.010.029.54	1236	PCS	CONTACT PINS, QFP-1236	ANY			
DL	4	90.04.2700		LED RED	HP	IC	401	90.18.0011	PAL 16 R 8 A-2 CN	(180164920)	ANY	L	001	02.01.0115	WIDE-BAND HF-CHECKE	Ph	P	3	1.010.029.54	125	PCS	QUIMP PINS, QFP-1236	ANY			
DL	3	90.04.2700		LED RED	HP	(01)	403	90.16.0069	SM 74 LS 649 N	(180164920)	ANY	MP	1	21.01.2279	1	PCS	SCREW, CYCLIN. HEAD, M2.5x4	ANY	RZ	102	57.88.3471	86470	DIL 16, 2E	ANY		
DL	2	90.04.2700		LED RED	HP	IC	404	90.18.0012	PAL 16 R 8 A-2 CN	(180164920)	ANY	MP	2	21.01.2279	1	PCS	SCREW, CYCLIN. HEAD, M2.5x4	ANY	RZ	709	57.88.3471	86470	DIL 16, 2E	ANY		
DL	1	90.04.2700		LED RED	HP	IC	405	90.21.0399	SM 74 F 391	ANY	MP	3	21.01.2279	1	PCS	SCREW, CYCLIN. HEAD, M2.5x4	ANY	RZ	711	57.85.3332	1593.3K	DIL 16	ANY			
UL	6	90.04.2700		LED RED	HP	IC	406	90.21.0374	SM 74 F 374	ANY	MP	4	21.01.2279	1	PCS	SCREW, CYCLIN. HEAD, M2.5x4	ANY	TP	1	29.21.6002		TESTPOINT	ANY			
UL	5	90.04.2700		LED RED	HP	IC	407	90.21.0244	SM 74 F 244	ANY	MP	5	21.01.2279	1	PCS	SCREW, COUNTERSUNK HEAD, M2.5x4	ANY	TP	2	29.21.6002		TESTPOINT	ANY			
UL	4	90.04.2700		LED RED	HP	IC	408	90.18.0011	PAL 16 R 8 A-2 CN	(180164920)	ANY	MP	6	21.01.2279	1	PCS	SCREW, COUNTERSUNK HEAD, M2.5x4	ANY	TP	3	29.21.6002		TESTPOINT	ANY		
UL	3	90.04.2700		LED RED	HP	IC	409	90.18.0012	PAL 16 R 8 A-2 CN	(180164920)	ANY	MP	7	21.01.2279	1	PCS	SCREW, COUNTERSUNK HEAD, M2.5x4	ANY	TP	4	29.21.6002		TESTPOINT	ANY		
UL	2	90.04.2700		LED RED	HP	IC	410	90.10.0069	SM 74 LS 649 N	(180164920)	ANY	MP	8	21.01.2279	1	PCS	SCREW, COUNTERSUNK HEAD, M2.5x4	ANY	TP	5	29.21.6002		TESTPOINT	ANY		
UL	1	90.04.2700		LED RED	HP	IC	411	90.14.0151	53/6349-2J, 1M 27 S 29	PC(180164920)	ANY	MP	9	24.10.1025	1	PCS	LOCK WASHER, M2.5	ANY								
F	51	91.01.0124		FUSE, 5A7/250V, 5x20mm	ANY	IC	412	90.18.0001	PAL 16 R 8 A-2 CN	(180164920)	ANY	MP	10	24.10.1025	1	PCS	LOCK WASHER, M2.5	ANY	(00)	W	1	64.01.0345	78000mm	WIRE WRAP TYPE	ANY	
IC	101	90.18.0012		PAL 16 R 8 A-2 CN	(180164920)	ANY	IC	413	90.18.0011	PAL 16 R 8 A-2 CN	(180164920)	ANY	MP	11	24.10.1025	1	PCS	LOCK WASHER, M2.5	ANY	(01)	W	1	64.01.0345	78000mm	WIRE WRAP TYPE	ANY
IC	102	90.21.0332		SM 74 F 32	ANY	IC	414	90.18.0009	PAL 16 R 8 A-2 CN	(180164920)	ANY	MP	12	24.10.1025	1	PCS	LOCK WASHER, M2.5	ANY	XF	1	53.03.0142		CLAMP, 5x20mm	ANY		
IC	109	90.04.0044		SM 74 LS 244 N	ANY	IC	415	90.14.0128	AM 29705 A, 29 F 705	(180164920)	ANY	MP	13	28.21.1370	1	PCS	RIEWING NUT, D2=2.95x5	ANY	XF	2	53.03.0142		CLAMP, 5x20mm	ANY		
IC	105	90.18.0010		PAL 16 R 8 A-2 CN	(180165020)	ANY	IC	416	90.14.0128	AM 29705 A, 29 F 705	(180164920)	ANY	MP	14	28.21.1370	1	PCS	RIEWING NUT, D2=2.95x5	ANY							
IC	106	90.18.0011		PAL 16 R 8 A-2 CN	(180165020)	ANY	IC	417	90.21.0044	SM 74 F 244	(180164920)	ANY	MP	15	28.21.1370	1	PCS	RIEWING NUT, D2=2.95x5	ANY							
IC	107	90.18.0010		PAL 16 R 8 A-2 CN	(180165020)	ANY	IC	418	90.18.0011	PAL 16 R 8 A-2 CN	(180164920)	ANY	MP	16	28.99.0119	1	PCS	RIEWING NUT, D2=5.0x15.0	ANY							
IC	110	90.18.0010		MPN LS 31 PC+AN26, L531 CN	ANY	(01)	419	90.10.0069	SM 74 LS 649 N	(180164920)	ANY	MP	17	28.99.0119	1	PCS	RIEWING NUT, D2=5.0x15.0	ANY								
IC	119	90.13.0109		F 9401 PC, N 8 X 01 AN	ANY	IC	420	90.18.0011	PAL 16 R 8 A-2 CN	(180164920)	ANY	MP	18	1.010.006.33	1	PCS	MARKING HANDLE	ANY	REMARKS:							
IC	110	90.09.0003		SM 74 LS 243 N	ANY	IC	421	90.18.0011	PAL 16 R 8 A-2 CN	(180164920)	ANY	MP	19	1.010.006.33	1	PCS	MARKING HANDLE	ANY								
IC	111	90.15.0109		MPN LS 31 PC+AN26, L531 CN	ANY	(00)	422	90.18.0003	MPN LS 31 PC+AN26, L531 CN	(180165020)	ANY	MP	20	1.010.006.33	1	PCS	MARKING HANDLE	ANY								
IC	101	90.09.0003		SM 74 LS 243 N	ANY	(01)	423	90.18.0012	PAL 16 R 8 A-2 CN	(180164920)	ANY	MP	21	1.010.006.33	1	PCS	MARKING HANDLE	ANY								
IC	102	90.18.0012		PAL 16 R 8 A-2 CN	(180164120)	ANY	(01)	424	90.18.0012	PAL 16 R 8 A-2 CN	(180164920)	ANY	MP	22	1.010.006.33	1	PCS	MARKING HANDLE	ANY							
IC	103	90.18.0011		PAL 16 R 8 A-2 CN	(180165020)	ANY	(00)	425	90.18.0011	PAL 16 R 8 A-2 CN	(180164920)	ANY	MP	23	1.010.006.33	1	PCS	MARKING HANDLE	ANY							
IC	108	90.18.0011		PAL 16 R 8 A-2 CN	(180165220)	ANY	(01)	426	90.18.0011	PAL 16 R 8 A-2 CN	(180164920)	ANY	MP	24	1.010.006.33	1	PCS	MARKING HANDLE	ANY							
IC	109	90.18.0009		PAL 16 R 8 A-2 CN	(180164920)	ANY	(01)	427	90.18.0011	PAL 16 R 8 A-2 CN	(180164920)	ANY	MP	25	1.010.006.33	1	PCS	MARKING HANDLE	ANY							
IC	110	90.18.0010		PAL 16 R 8 A-2 CN	(180164520)	ANY	(01)	428	90.18.0011	PAL 16 R 8 A-2 CN	(180164920)	ANY	MP	26	1.010.006.33	1	PCS	MARKING HANDLE	ANY							
IC	111	90.18.0010		PAL 16 R 8 A-2 CN	(180164520)	ANY	(01)	429	90.18.0011	PAL 16 R 8 A-2 CN	(180164920)	ANY	MP	27	1.010.006.33	1	PCS	MARKING HANDLE	ANY							
IC	112	90.21.0374		SM 74 F 374	ANY	(01)	430	90.18.0011	PAL 16 R 8 A-2 CN	(180164920)	ANY	MP	28	1.010.006.33	1	PCS	MARKING HANDLE	ANY								
IC	102	90.18.0002		PAL 16 R 8 A-2 CN	(180164220)	ANY	(00)	431	90.13.0108	F 9401 PC, N 8 X 01 AN	ANY	MP	29	1.010.006.33	1	PCS	MARKING HANDLE	ANY								
IC	109	90.14.0128		AM 29705 A, 29 F 705	ANY	(01)	432	90.13.0108	F 9401 PC, N 8 X 01 AN	ANY	MP	30	1.010.006.33	1	PCS	MARKING HANDLE	ANY									
IC	106	90.14.0129		AM 29705 A, 29 F 705	ANY	IC	702	90.13.0108	F 9401 PC, N 8 X 01 AN	ANY	MP	31	1.010.006.33	1	PCS	MARKING HANDLE	ANY									
IC	108	90.14.0132		MS 1400-P45, HM 6167-HP45	ANY	IC	703	90.90.0000	SM 74 LS 90 N	ANY	MP	32	1.010.006.33	1	PCS	MARKING HANDLE	ANY									
S T U D E R	(20)	86/09/08 01	TRANSFORMATTER	1.861.859.00	PAGE 1	S T U D E R	(20)	86/09/08 01	TRANSFORMATTER	1.861.859.00	PAGE 2	S T U D E R	(20)	86/09/08 01	TRANSFORMATTER	1.861.859.00	PAGE 3	S T U D E R	(20)	86/09/08 01	TRANSFORMATTER	1.861.859.00	PAGE 4			

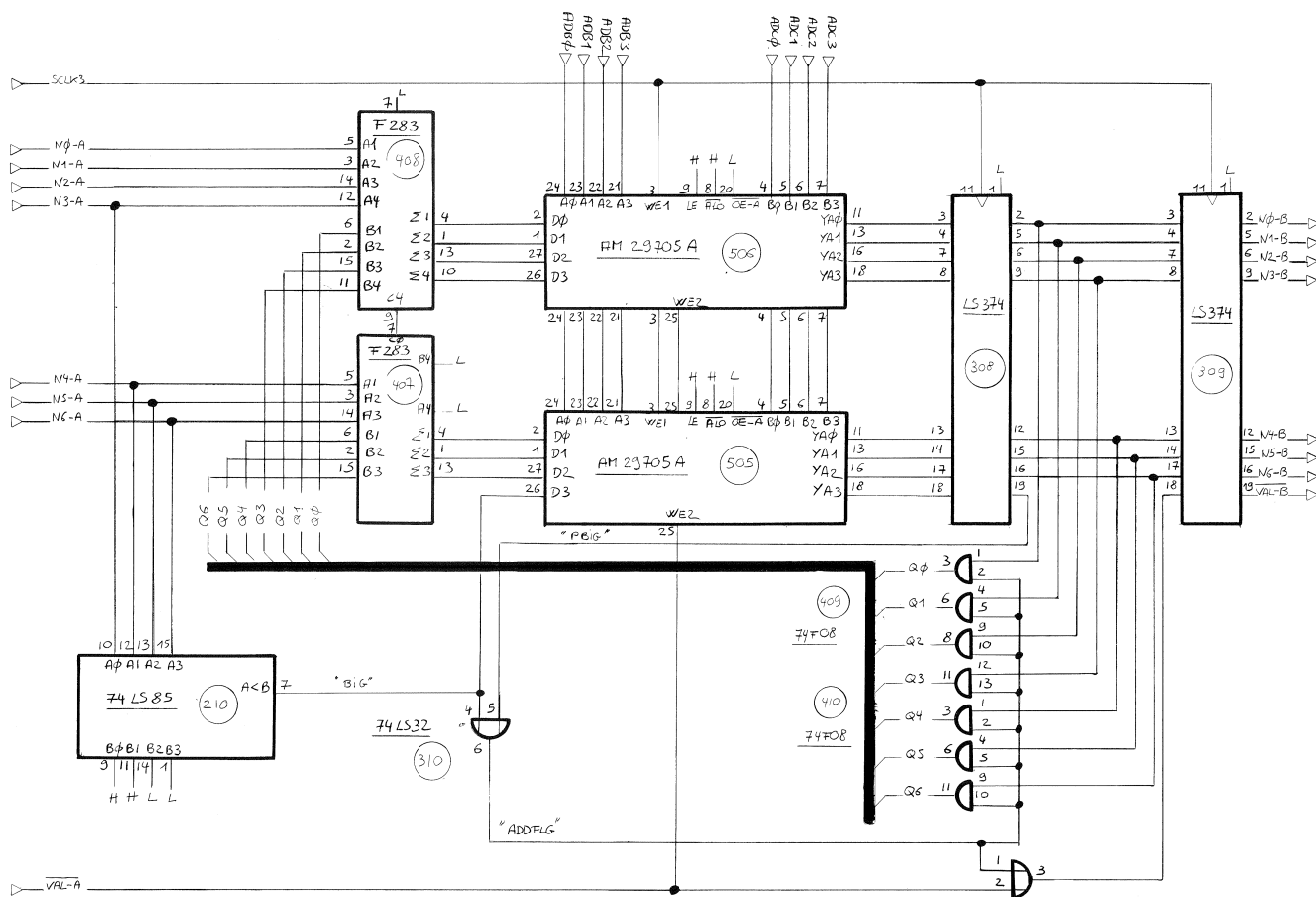
① 6.6.85 HPC	② 14.1.86 DP	③ . . .	④ . . .
STUDER		RUN PROCESSOR	
D820 X		PAGE 1 OF 3	
1.861.860.00			



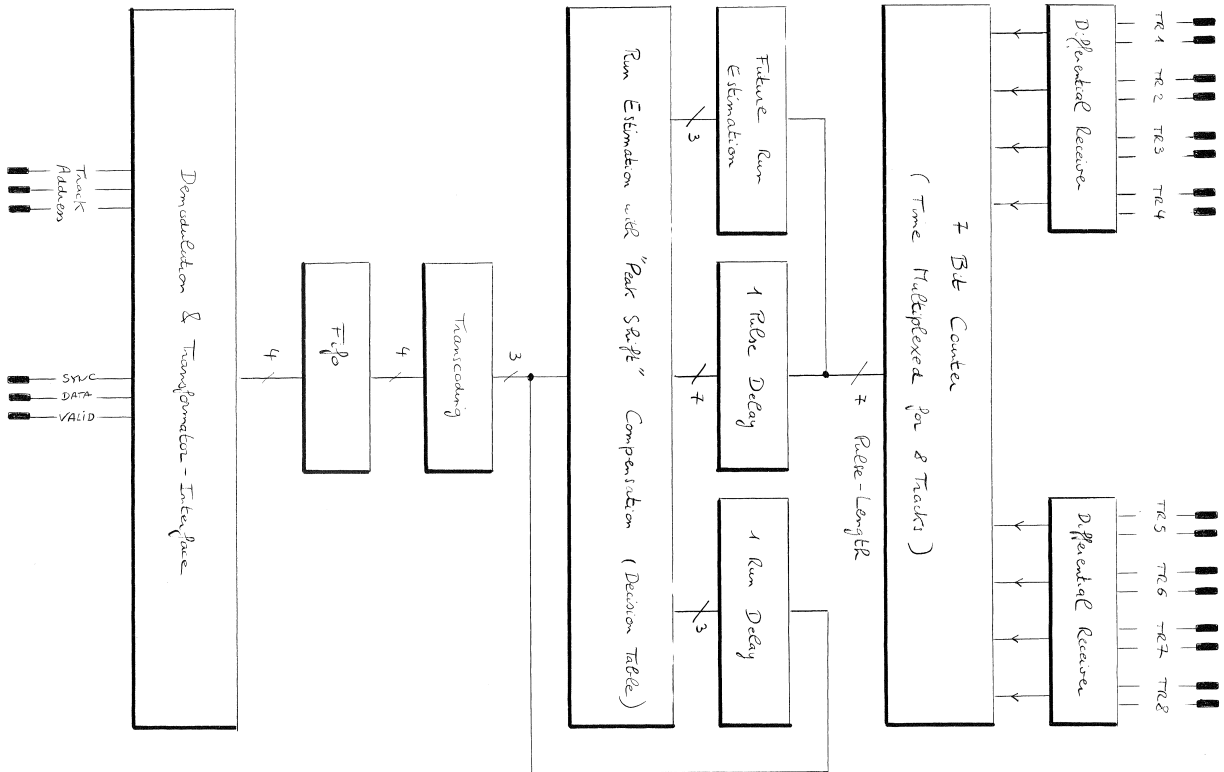
0	5.6.85	44R6	14.1.86	3.3.86	44R6
			820 X				PAGE 3 OF 3
STUDER			RUN PROCESSOR				1.861.860.00



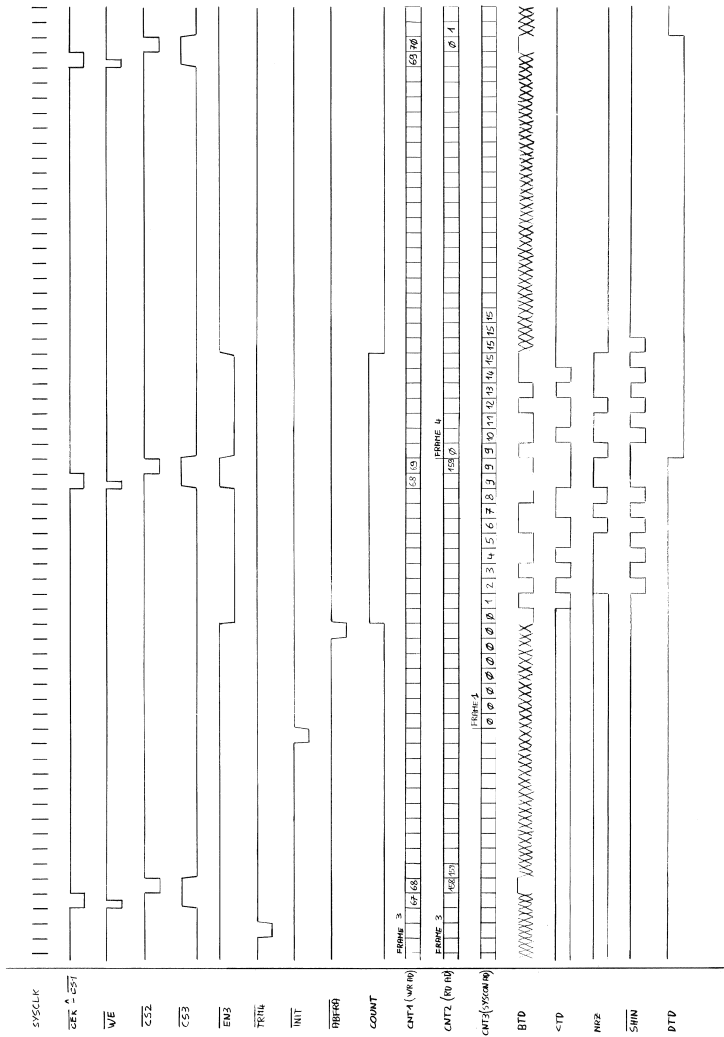
STUDER	2 CH. PCH RECORDER	4	PAGE 4 OF 4
--------	--------------------	---	-------------



IND.	POS.NO.	PART NO.	VALUE	SPECIFICATIONS / EQUIVALENT	MANUF.	IND.	POS.NO.	PART NO.	VALUE	SPECIFICATIONS / EQUIVALENT	MANUF.	IND.	POS.NO.	PART NO.	VALUE	SPECIFICATIONS / EQUIVALENT	MANUF.	IND.	POS.NO.	PART NO.	VALUE	SPECIFICATIONS / EQUIVALENT	MANUF.			
C****1	59	22	4470	47u	50K 10V ELECTROLYTIC	ANY	IC-309	50	19	0011	PAL 16 R 8 A-2 CN	(18616820)	-ANY	MP****8	21	01	2277	SCREW, COUNTERSUNK HEAD, M2.5x4	ANY	TP****4	29	21	6002	TESTPOINT	ANY	
C****2	1	01	01	205	59	60m	50K 10V QTY=30	ANY	IC-310	50	19	0011	6700Z, DR 02 S, 40Z	ANY	MP****9	24	16	1026	LOCK WASHER, M2.5	ANY	W****1	04	01	0345	55300mm WRAP-TYPE	ANY
DL-0001	50	04	4700	HP	LED RED	HP	IC-311	50	19	0011	PAL 16 R 8 A-2 CN	(18616820)	ANY	MP****10	24	16	1025	LOCK WASHER, M2.5	ANY	MP****11	24	16	1025	LOCK WASHER, M2.5	ANY	
DL-0002	50	04	4700	HP	LED RED	HP	IC-312	50	19	0012	PAL 16 R 8 A-2 CN	(18616820)	ANY	MP****12	24	16	1025	LOCK WASHER, M2.5	ANY	MP****13	28	21	1370	RIVETING NUT, D2-25x5.4	ANY	
DL-0003	50	04	4700	HP	LED RED	HP	IC-403	50	14	0111	NR2 5185 N (40X)	(186167920)	ANY	MP****14	28	21	1370	RIVETING NUT, D2-25x5.4	ANY	MP****15	28	21	1370	RIVETING NUT, D2-25x5.4	ANY	
DL-0004	50	04	4700	HP	LED RED	HP	IC-404	50	14	0111	NR2 5185 N (40X)	(186167920)	ANY	MP****16	28	21	1370	RIVETING NUT, D2-25x5.4	ANY	MP****17	28	21	1370	RIVETING NUT, D2-25x5.4	ANY	
DL-0005	50	04	4700	HP	LED RED	HP	IC-405	50	14	0111	NR2 5185 N (40X)	(186167920)	ANY	MP****18	1	01	0094	MARKING HANDLE	ANY	MP****19	1	01	0094	MARKING HANDLE	ANY	
DL-0006	50	04	4700	HP	LED RED	HP	IC-407	50	06	0159	AM 29705 A, 29 F 70S	(186167920)	ANY	MP****20	1	01	0094	MARKING HANDLE	ANY	MP****21	1	01	0094	MARKING HANDLE	ANY	
DL-0007	50	04	4700	HP	LED RED	HP	IC-408	50	06	0374	SN 74 LS 374 N	ANY	MP****22	1	01	0094	MARKING HANDLE	ANY	MP****23	1	01	0094	MARKING HANDLE	ANY		
F****1	51	01	0132	ANY	FUSE, 3x15xT/150V, 5A20mm	ANY	IC-409	50	06	0374	SN 74 LS 374 N	ANY	MP****24	1	01	0094	MARKING HANDLE	ANY	MP****25	1	01	0094	MARKING HANDLE	ANY		
IC-101	50	21	0160	ANY	SN 74 LS 160 N	ANY	IC-410	50	06	0159	SN 74 LS 159 N	ANY	MP****26	1	01	0094	MARKING HANDLE	ANY	MP****27	1	01	0094	MARKING HANDLE	ANY		
IC-102	50	06	0283	ANY	SN 74 LS 283 N	ANY	IC-411	50	06	0377	SN 74 LS 377 N	ANY	MP****28	1	01	0094	MARKING HANDLE	ANY	MP****29	1	01	0094	MARKING HANDLE	ANY		
IC-104	50	06	0186	ANY	SN 74 LS 186 N	ANY	IC-412	50	06	0377	SN 74 LS 377 N	ANY	MP****30	1	01	0094	MARKING HANDLE	ANY	MP****31	1	01	0094	MARKING HANDLE	ANY		
IC-105	50	15	0109	ANY	AR25 L533 PC/0526 L533 EN	ANY	IC-501	50	19	0009	PAL 16 L 8 A-2CH	(186168320)	ANY	MP****32	1	01	0094	MARKING HANDLE	ANY	MP****33	1	01	0094	MARKING HANDLE	ANY	
IC-106	50	15	0109	ANY	AR25 L533 PC/0526 L533 EN	ANY	IC-502	50	06	0377	SN 74 LS 377 N	ANY	MP****34	1	01	0094	MARKING HANDLE	ANY	MP****35	1	01	0094	MARKING HANDLE	ANY		
IC-109	50	06	0037	ANY	SN 74 LS 37 N	ANY	IC-503	50	19	0111	NR2 5185 N (40X)	(186167920)	ANY	MP****36	1	01	0094	MARKING HANDLE	ANY	MP****37	1	01	0094	MARKING HANDLE	ANY	
IC-111	50	06	0008	ANY	SN 74 LS 08 N	ANY	IC-504	50	14	0111	NR2 5185 N (40X)	(186167920)	ANY	MP****38	1	01	0094	MARKING HANDLE	ANY	MP****39	1	01	0094	MARKING HANDLE	ANY	
IC-112	50	21	0032	ANY	SN 74 F 32 N	ANY	IC-505	50	19	0002	PAL 16 R 8 A-2 CN	(186167920)	ANY	MP****40	1	01	0094	MARKING HANDLE	ANY	MP****41	1	01	0094	MARKING HANDLE	ANY	
IC-101	50	06	0374	ANY	SN 74 LS 374 N	ANY	IC-510	50	19	0002	PAL 16 R 8 A-2 CN	(186167920)	ANY	MP****42	1	01	0094	MARKING HANDLE	ANY	MP****43	1	01	0094	MARKING HANDLE	ANY	
IC-202	50	18	0002	ANY	SN 74 LS 374 N	ANY	IC-511	50	19	0002	PAL 16 R 8 A-2 CN	(186167920)	ANY	MP****44	1	01	0094	MARKING HANDLE	ANY	MP****45	1	01	0094	MARKING HANDLE	ANY	
IC-203	50	18	0002	ANY	SN 74 LS 374 N	ANY	IC-512	50	19	0002	PAL 16 R 8 A-2 CN	(186167920)	ANY	MP****46	1	01	0094	MARKING HANDLE	ANY	MP****47	1	01	0094	MARKING HANDLE	ANY	
IC-204	50	18	0001	ANY	SN 74 LS 374 N	ANY	IC-611	50	06	0008	SN 74 LS 08 N	ANY	MP****48	1	01	0094	MARKING HANDLE	ANY	MP****49	1	01	0094	MARKING HANDLE	ANY		
IC-205	50	18	0001	ANY	SN 74 LS 374 N	ANY	IC-612	50	21	0032	74 F 32	ANY	P****1	54	01	0254	CARD CONNECTOR, 3P12 EURO WIRE WRAP	ANY	P****2	1	01	0254	CONTACT PINS, QTY=912	ANY		
IC-206	50	18	0001	ANY	SN 74 LS 374 N	ANY	IC-613	50	06	0259	SN 74 LS 259 N	ANY	P****3	54	01	0254	CONTACT PINS, QTY=165	ANY	P****4	1	01	0254	DUMMY PINS, QTY=165	ANY		
IC-207	50	18	0001	ANY	SN 74 LS 374 N	ANY	IC-614	50	06	0259	SN 74 LS 259 N	ANY	MP****50	1	01	0094	MARKING HANDLE	ANY	MP****51	1	01	0094	MARKING HANDLE	ANY		
IC-208	50	18	0001	ANY	SN 74 LS 374 N	ANY	IC-615	50	06	0259	SN 74 LS 259 N	ANY	MP****52	1	01	0094	MARKING HANDLE	ANY	MP****53	1	01	0094	MARKING HANDLE	ANY		
IC-209	50	18	0001	ANY	SN 74 LS 374 N	ANY	IC-616	50	06	0259	SN 74 LS 259 N	ANY	MP****54	1	01	0094	MARKING HANDLE	ANY	MP****55	1	01	0094	MARKING HANDLE	ANY		
IC-210	50	18	0001	ANY	SN 74 LS 374 N	ANY	IC-617	50	06	0259	SN 74 LS 259 N	ANY	MP****56	1	01	0094	MARKING HANDLE	ANY	MP****57	1	01	0094	MARKING HANDLE	ANY		
IC-211	50	18	0001	ANY	SN 74 LS 374 N	ANY	IC-618	50	06	0259	SN 74 LS 259 N	ANY	MP****58	1	01	0094	MARKING HANDLE	ANY	MP****59	1	01	0094	MARKING HANDLE	ANY		
IC-212	50	18	0001	ANY	SN 74 LS 374 N	ANY	IC-619	50	06	0259	SN 74 LS 259 N	ANY	MP****60	1	01	0094	MARKING HANDLE	ANY	MP****61	1	01	0094	MARKING HANDLE	ANY		
IC-301	50	06	0377	ANY	SN 74 LS 377 N	ANY	IC-620	50	06	0377	SN 74 LS 377 N	ANY	MP****62	1	01	0094	MARKING HANDLE	ANY	MP****63	1	01	0094	MARKING HANDLE	ANY		
IC-302	50	06	0377	ANY	SN 74 LS 377 N	ANY	IC-621	50	06	0377	SN 74 LS 377 N	ANY	MP****64	1	01	0094	MARKING HANDLE	ANY	MP****65	1	01	0094	MARKING HANDLE	ANY		
IC-303	50	06	0377	ANY	SN 74 LS 377 N	ANY	IC-622	50	06	0377	SN 74 LS 377 N	ANY	MP****66	1	01	0094	MARKING HANDLE	ANY	MP****67	1	01	0094	MARKING HANDLE	ANY		
IC-304	50	06	0377	ANY	SN 74 LS 377 N	ANY	IC-623	50	06	0377	SN 74 LS 377 N	ANY	MP****68	1	01	0094	MARKING HANDLE	ANY	MP****69	1	01	0094	MARKING HANDLE	ANY		
IC-305	50	06	0377	ANY	SN 74 LS 377 N	ANY	IC-624	50	06	0377	SN 74 LS 377 N	ANY	MP****70	1	01	0094	MARKING HANDLE	ANY	MP****71	1	01	0094	MARKING HANDLE	ANY		
IC-306	50	06	0377	ANY	SN 74 LS 377 N	ANY	IC-625	50	06	0377	SN 74 LS 377 N	ANY	MP****72	1	01	0094	MARKING HANDLE	ANY	MP****73	1	01	0094	MARKING HANDLE	ANY		
IC-307	50	06	0377	ANY	SN 74 LS 377 N	ANY	IC-626	50	06	0377	SN 74 LS 377 N	ANY	MP****74	1	01	0094	MARKING HANDLE	ANY	MP****75	1	01	0094	MARKING HANDLE	ANY		
IC-308	50	19	0120	ANY	AM 29705 A, 29 F 70S	(186168420)	IC-627	50	06	0377	SN 74 LS 377 N	ANY	MP****76	1	01	0094	MARKING HANDLE	ANY	MP****77	1	01	0094	MARKING HANDLE	ANY		
IC-309	50	19	0120	ANY	AM 29705 A, 29 F 70S	(186168420)	IC-628	50	06	0377	SN 74 LS 377 N	ANY	MP****78	1	01	0094	MARKING HANDLE	ANY	MP****79	1	01	0094	MARKING HANDLE	ANY		
IC-310	50	19	0120	ANY	AM 29705 A, 29 F 70S	(186168420)	IC-629	50	06	0377	SN 74 LS 377 N	ANY	MP****80	1	01	0094	MARKING HANDLE	ANY	MP****81	1	01	0094	MARKING HANDLE	ANY		



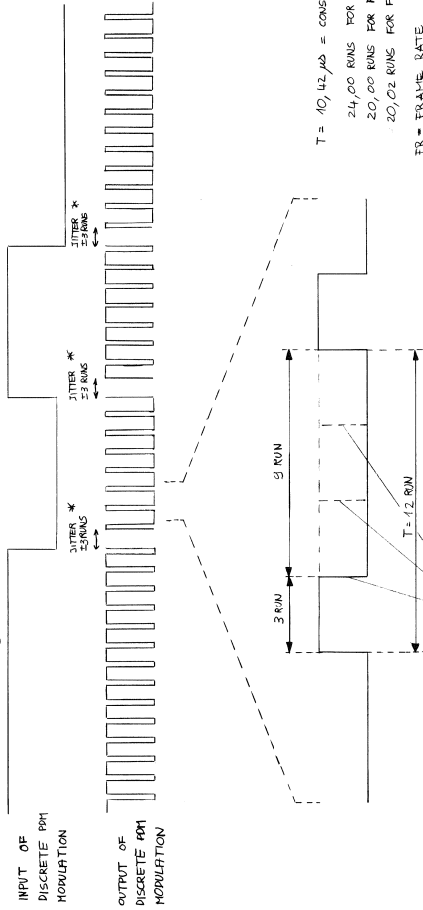
① 16,32,48	○ . . .	○ . . .	○ . . .
STUDER	D820X	BLOCK DIAGRAM RUN PROCESSOR	PAGE 1 OF 1
			1.861.860.00



1440185	OC								
D 8 20		PAGE 1 OF 1		1.861.861.00					
STUDER		TC CODEC - READ DELAY -							

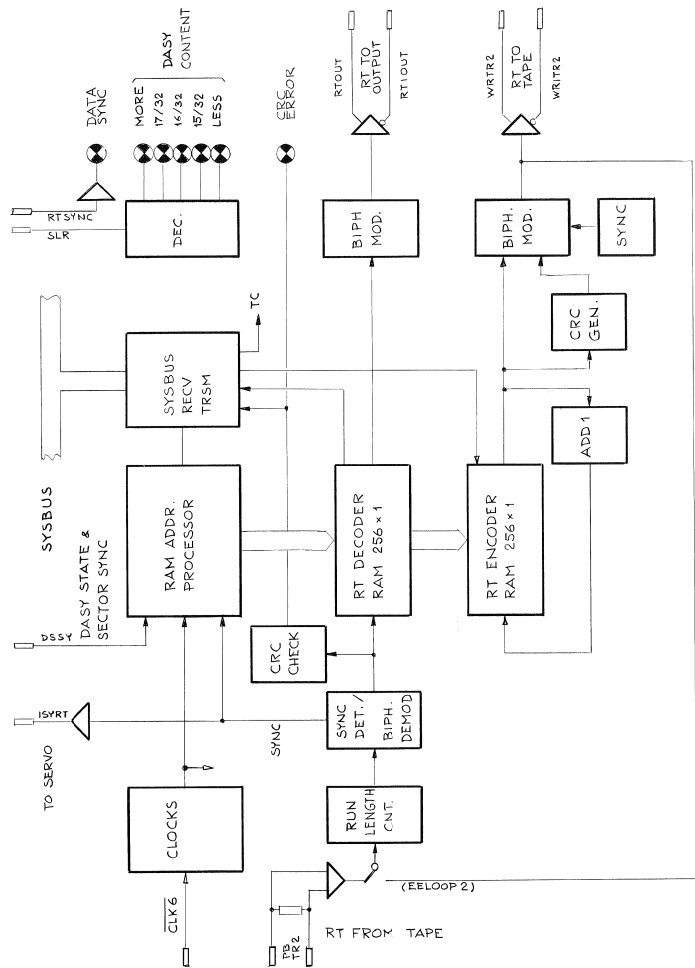
DISCRETE PDM MODULATION

DISCRETE PDM MODULATION WITH THE 12-RUN PERIODS SHOWN BELOW ENSURES OVERWRITING OF TC AND ITS SPECTRUM USAGE MATCHES THE HEAD-TAPE CHARACTERISTICS.

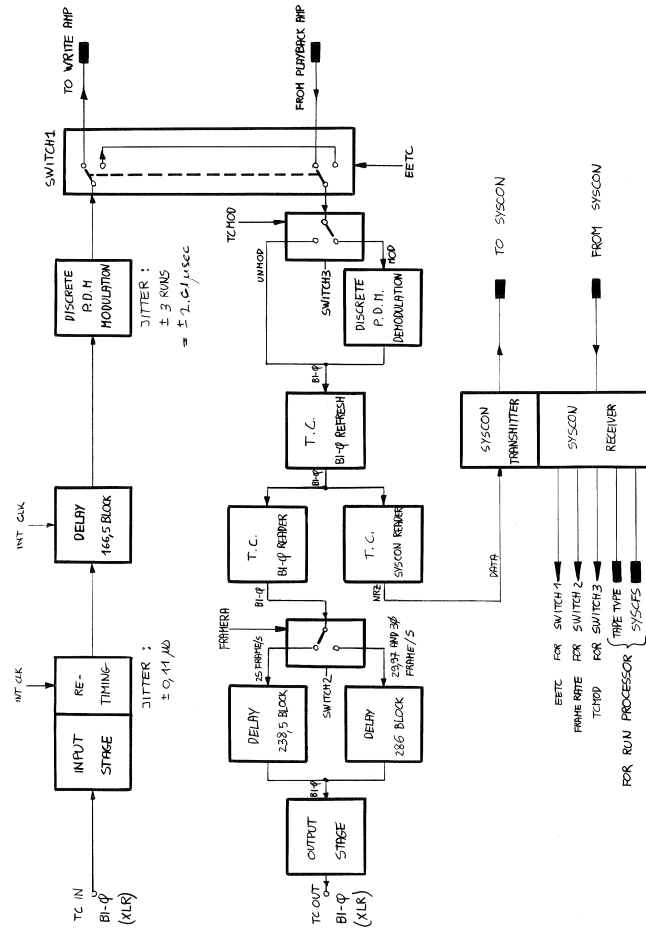


- * MERGING PERIODS & POSSIBLE STATES OF THE 12 RUN PERIODS CAN BE OBTAINED DURING MERGING
- THE 12 RUN PERIOD SHOWN IS VALID FOR LOW PERIODS OF THE INPUT SIGNAL. IT WILL BE INVERTED FOR HIGH PERIODS

080386									
D 8 20 X TC CODEC		PAGE 2 OF 2		1.861.861.00					
STUDER		DISCRETE PDM MODULATION							



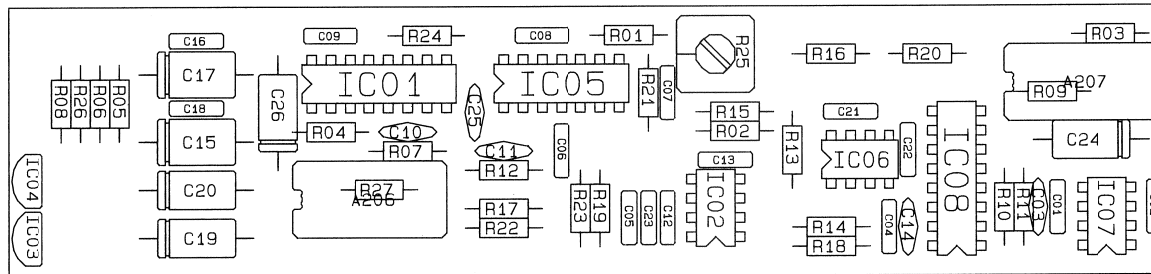
027.8.86.HPG	0	0	0	0	0	0	0	0	0
D820X									
PAGE 1 OF 1									
STUDER RT CODEC BLOCK DIAGRAM 1.861.861.00									



0080986	0	0	0	0	0	0	0	0	0
D820X TC CODEC									
PAGE 1 OF 2									
STUDER BLOCK DIAGRAM 1.861.861.00									

IND.	POS.NO.	PART NO.	VALUE	SPECIFICATIONS / EQUIVALENT	MANUF.
C++0011	99*99*0205	68n	20%	30V + CER	ANY
C++0012	99*99*0205	68n	20%	30V + CER	ANY
C++0013	99*32*2881	680p	10%	20V + CER	ANY
C++0014	99*99*0205	68n	20%	30V + CER	ANY
C++0015	99*06*0683	68n	10%	30V + FILM	ANY
C++0016	99*99*0205	68n	20%	30V + CER	ANY
C++0017	99*06*0932	6.7n	10%	20V + FILM	ANY
C++0018	99*99*0205	68n	20%	30V + CER	ANY
C++0019	99*99*0205	68n	20%	30V + CER	ANY
C++0020	99*32*1411	470p	10%	30V + CER	ANY
C++0021	99*32*1221	220p	10%	30V + CER	ANY
C++0022	99*99*0205	68n	20%	30V + CER	ANY
C++0023	99*99*0205	68n	20%	30V + CER	ANY
C++0024	99*06*0317	1.4n	10%	30V + FILM	ANY
C++0025	99*25*4470	47u	20%	25V + EL	ANY
C++0026	99*99*0205	68n	20%	30V + CER	ANY
C++0027	99*25*4470	47u	20%	25V + EL	ANY
C++0028	99*99*0205	68n	20%	30V + CER	ANY
C++0029	99*25*6229	2.2u	20%	20V + EL	ANY
C++0030	99*99*0205	68n	20%	30V + CER	ANY
C++0031	99*99*0205	68n	20%	30V + CER	ANY
C++0032	99*99*0205	68n	20%	30V + CER	ANY
C++0033	99*06*0683	68n	10%	30V + FILM	ANY
C++0034	99*25*6229	2.2u	20%	20V + EL	ANY
C++0035	99*34*1110	10p	9%	30V + CER	ANY
C++0036	99*25*6229	2.2u	20%	20V + EL	ANY
IC+0001	90*07*0066	MC 14066	RPC		ANY
IC+0002	90*11*0114	LM 311 N	LM 311 P		ANY
IC+0003	90*10*0108	LM 317 L	Z		ANY
IC+0004	90*10*0109	LM 337 L	Z		ANY
IC+0005	90*09*0104	LF 384 N			ANY
IC+0006	90*11*0114	LM 311 N	LM 311 P		ANY
IC+0007	90*11*0114	NS	NS	NS 4 CN-90 NOTES	NS
IC+0008	90*06*0123	SN 74 LS 123 N			ANY
MP+0001	53*03*0191			ADAPTER PLUG 258	ANY

STUDER (00) 86/08/14 Sn TC ANALOG IF 1.861.771.00 PAGE 1



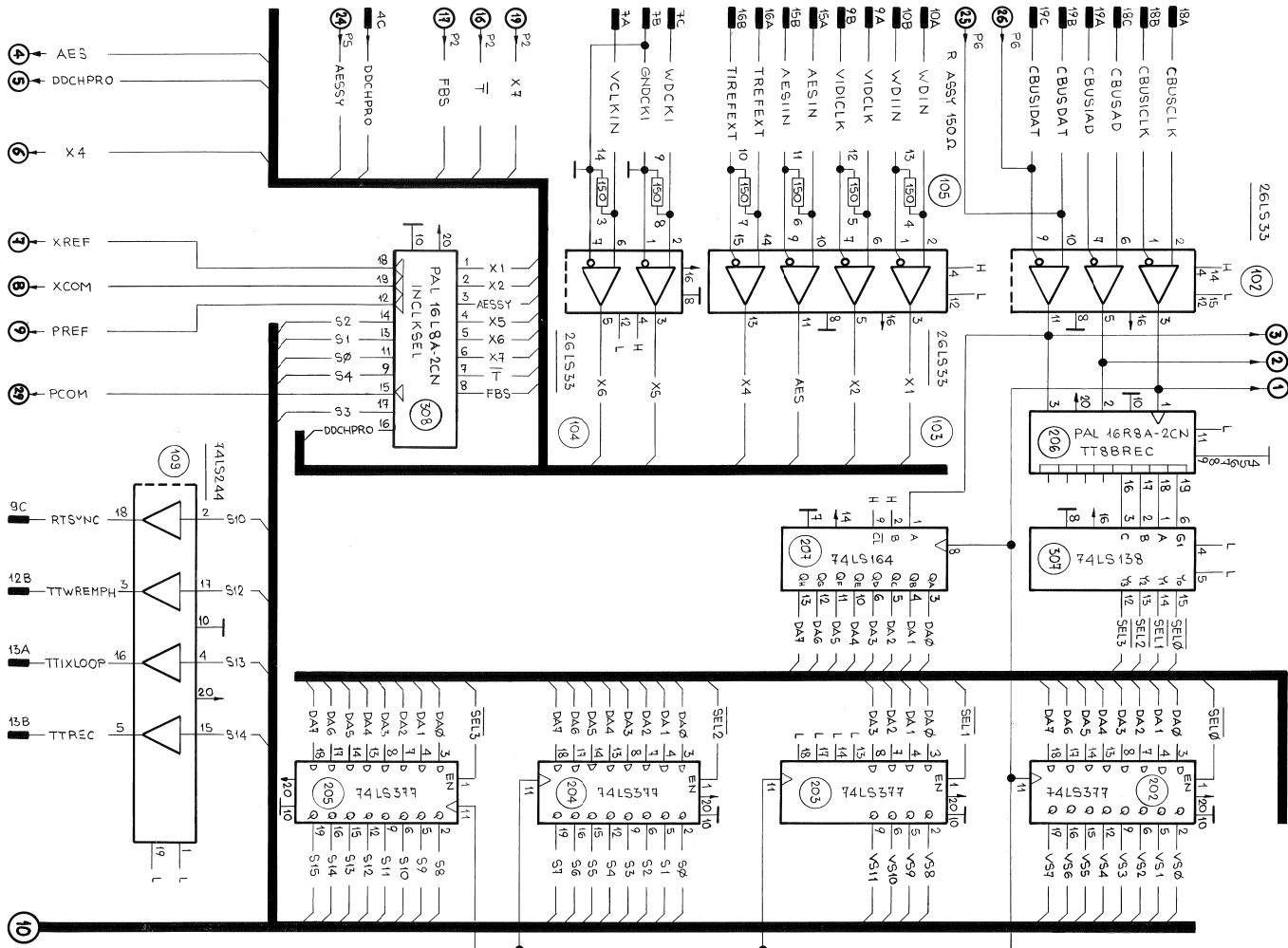
IND.	POS.NO.	PART NO.	VALUE	SPECIFICATIONS / EQUIVALENT	MANUF.
MP+0002	53*03*0191			ADAPTER PLUG 258	ANY
MP+0003	1*861*771-11			PCB	SE
MP+0004	1*861*771-01			LABEL WITH BOARD NUMBER	SE
MP+0005	9*301*0108			LABEL "E5"	ANY
R++0001	97*11*3103	10k	2%		ANY
R++0002	97*11*3111	330	2%		ANY
R++0003	97*11*3102	1k	2%		ANY
R++0004	97*11*3203	20k	2%		ANY
R++0005	97*11*3111	330	2%		ANY
R++0006	97*11*3272	2.7k	2%		ANY
R++0007	97*11*3203	20k	2%		ANY
R++0008	97*11*3272	2.7k	2%		ANY
R++0009	97*11*3103	10k	2%		ANY
R++0010	97*11*3223	22k	2%		ANY
R++0011	97*11*3103	10k	2%		ANY
R++0012	97*11*3103	10k	2%		ANY
R++0013	97*11*3223	22k	2%		ANY
R++0014	97*11*3102	1k	2%		ANY
R++0015	97*11*3104	100k	2%		ANY
R++0016	97*11*3152	1.5k	2%		ANY
R++0017	97*11*3101	1k	2%		ANY
R++0018	97*11*3102	1k	2%		ANY
R++0019	97*11*3103	10k	2%		ANY
R++0020	97*11*3562	5.6k	2%		ANY
R++0021	97*11*3113	15k	2%		ANY
R++0022	97*11*3113	15k	2%		ANY
R++0023	97*11*3113	15k	2%		ANY
R++0024	97*11*3104	100k	2%		ANY
R++0025	98*01*0517	5k	2%		ANY
R++0026	97*11*3121	10k	2%		ANY
R++0027	97*11*3153	15k	2%		ANY

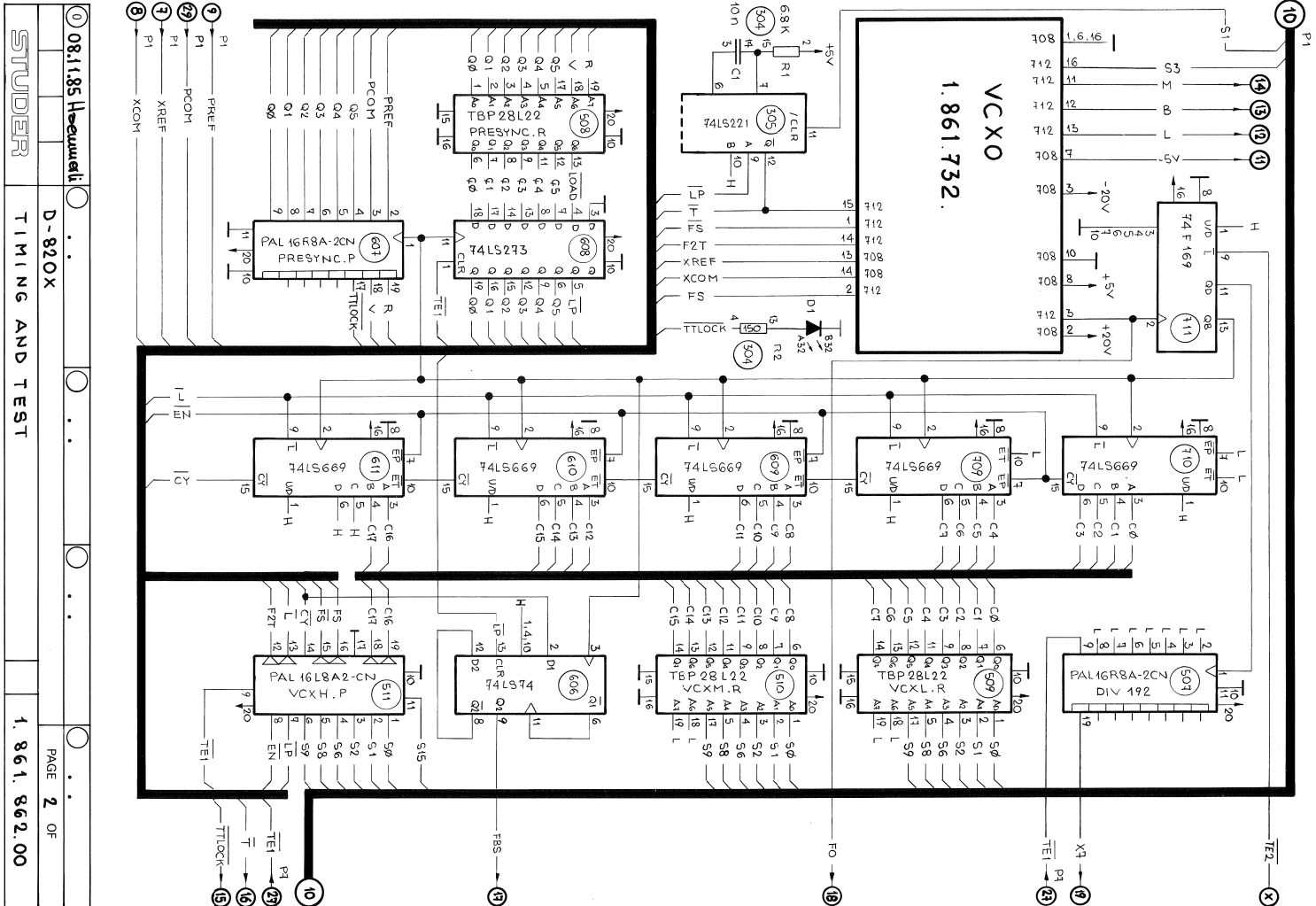
STUDER (00) 86/08/14 Sn TC ANALOG IF 1.861.771.00 PAGE 2

IND.	POS.NO.	PART NO.	VALUE	SPECIFICATIONS / EQUIVALENT	MANUF.
REMARKS:					
MANUFACTURER:					
SE = STUDER / NS = NATIONAL SEMICONDUCTOR					
ABBREVIATION:					
CER = CERAMIC / FILM = FILM TYPE /					
EL = ELECTROLYTIC					

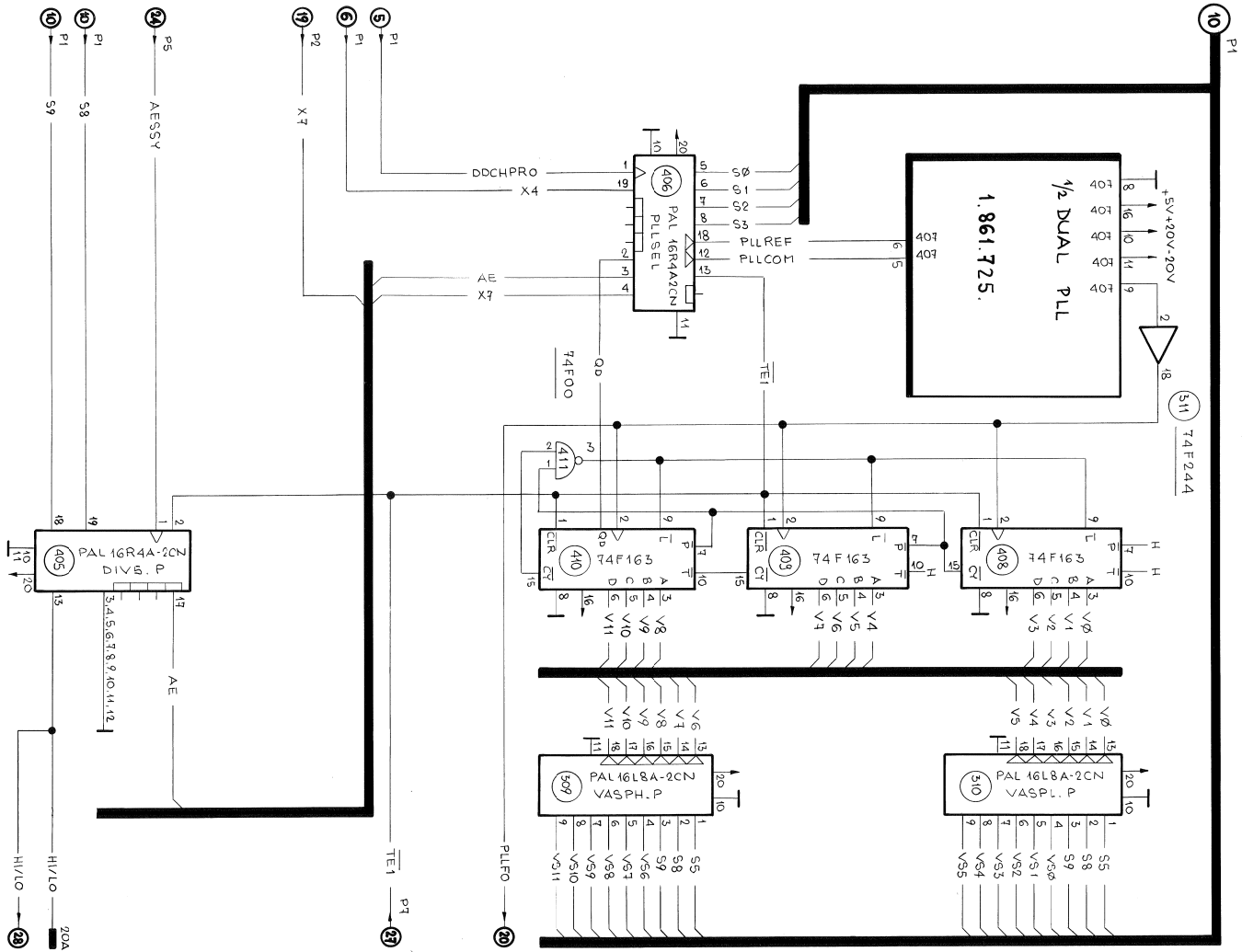
0816 86/08/14
STUDER (00) 86/08/14 Sn TC ANALOG IF 1.861.771.00 PAGE 3

061185 Hewlett-Packard
STUDER
 D-820X
TIMING AND TEST
 PAGE OF
 1.861.862.00

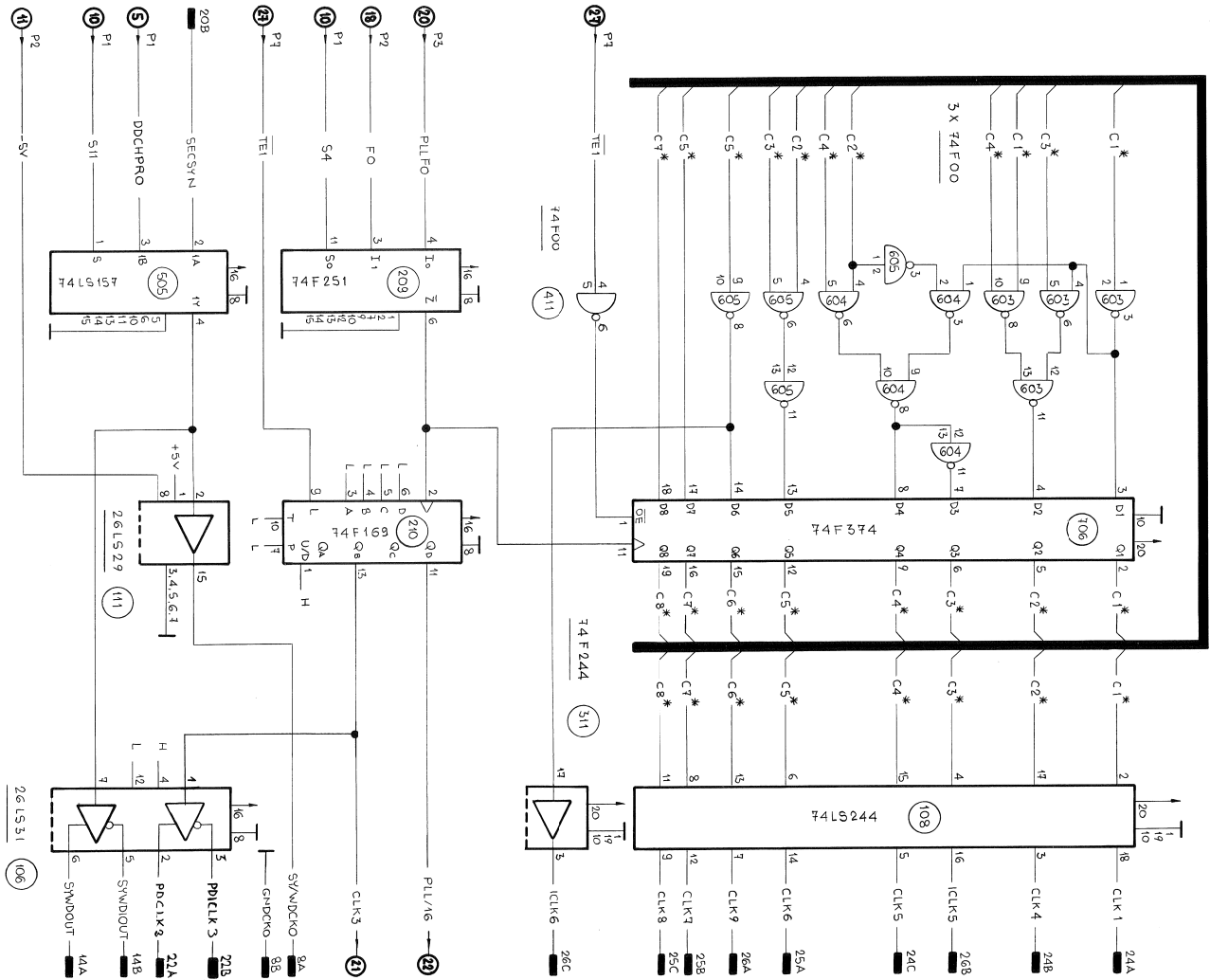




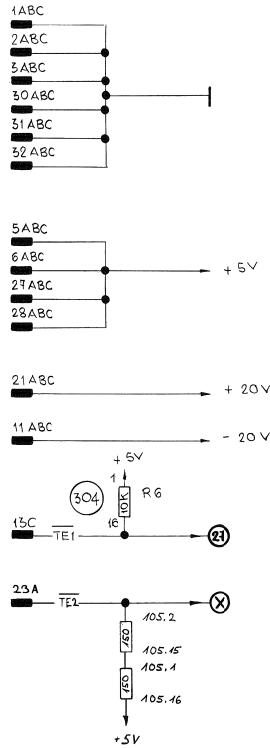
081.1.85 Hewlett	D-820X	PAGE 2 OF
STUDER TIMING AND TEST 1.861.862.00		



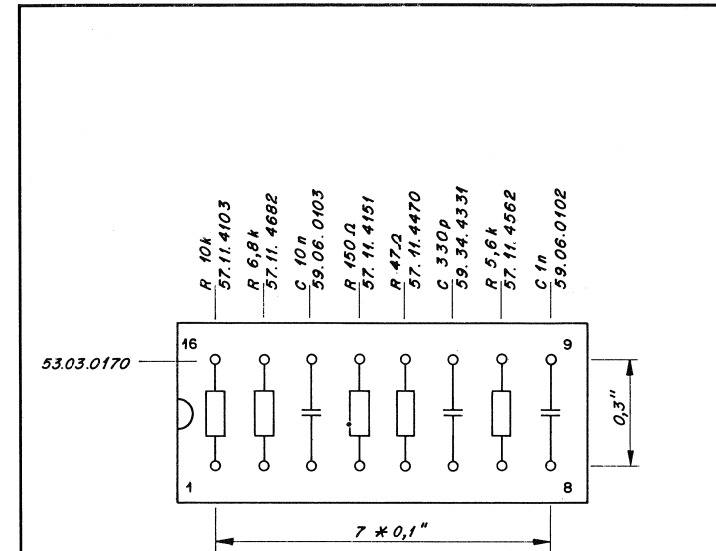
12.11.85	Hewlett	D-820X	PAGE 3 OF
STUDER			1.861.862.00
TIMING AND TEST			



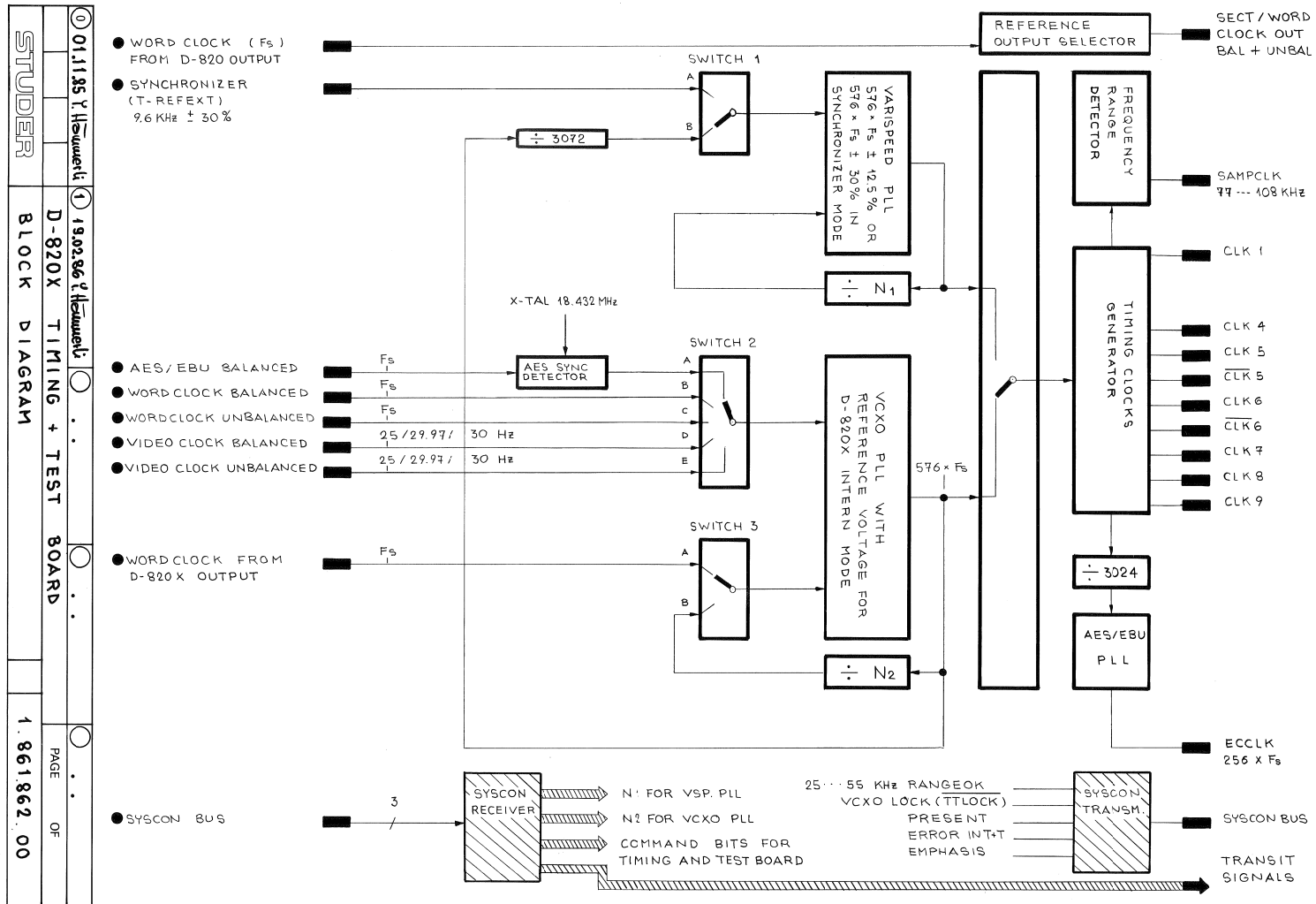
10.12.85	Heurwalle	D-820X	TIMING AND TEST	1.861.862.00
			PAGE 4 OF	
STUDER				

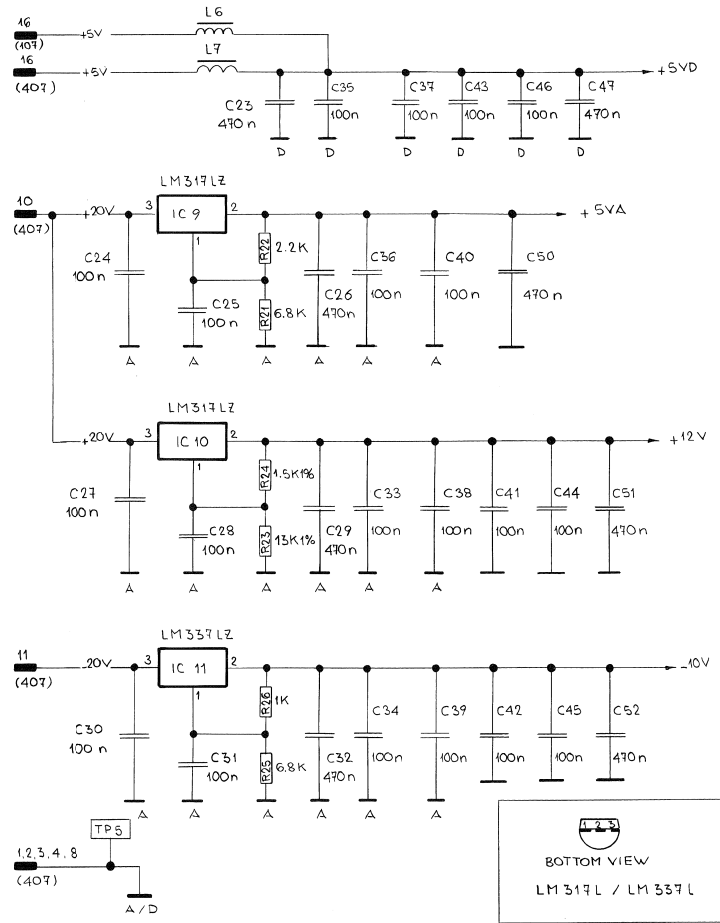
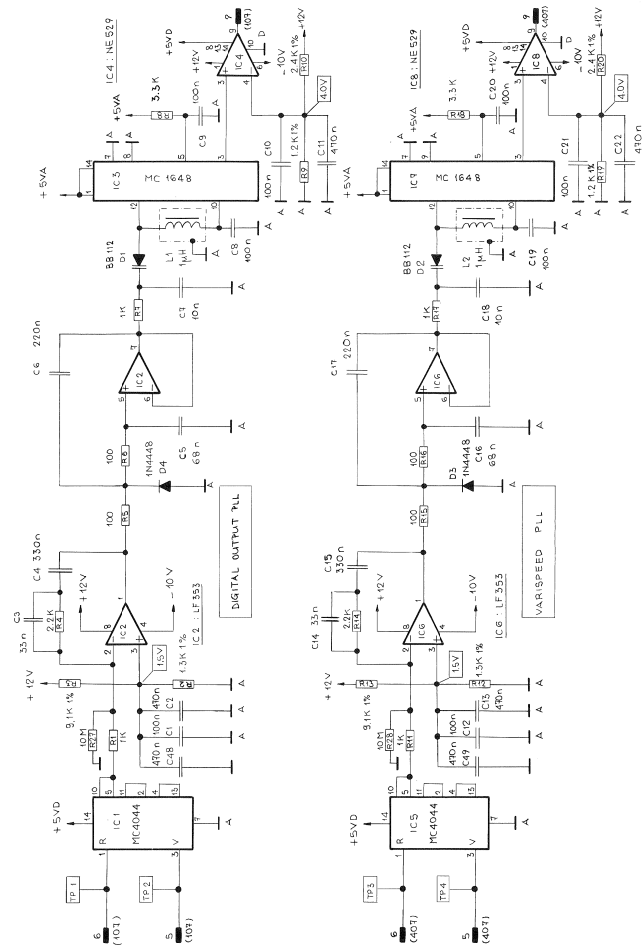


17.12.85	17.12.85	17.12.85	17.12.85
D-820X 2CH-PCM RECORDER			PAGE 7 OF
STUDER		TIMING AND TEST BOARD	1.861.862.00



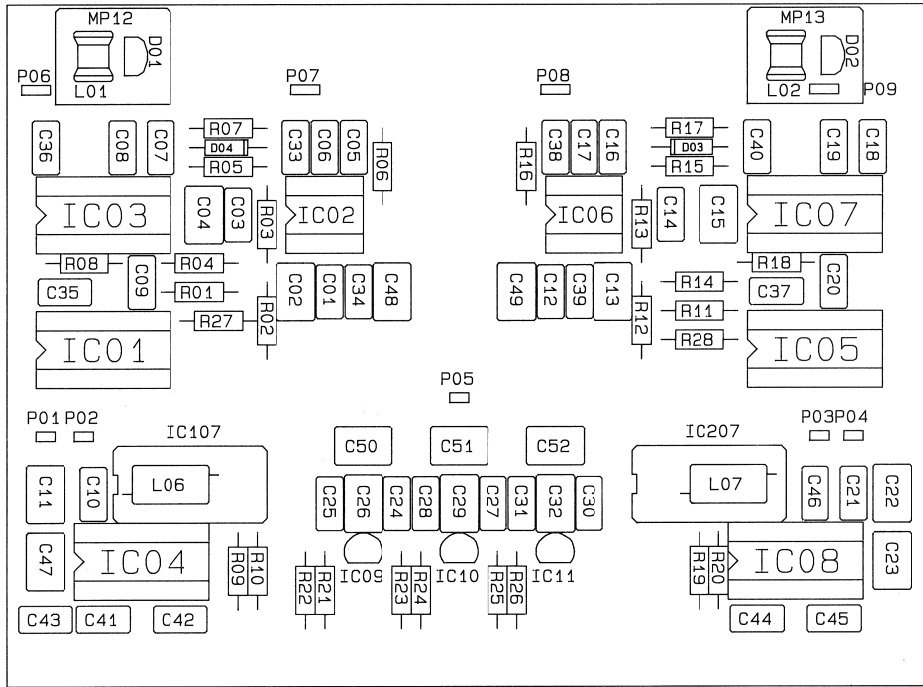
Werkstoff	Norm-Nr.:	Güte:					3
DIN-Bez.:	Abmessung:	Oberfläche	Beh.:				2
Zugehörige Unterlagen:	Freimasstoleranz:	Maßstab:	Ausgabe		18. 2. 86 AHO		1
Ersatz für:	±	Ersetzt durch:	Datum	Gez.	Gepr.	Ges.	Index
STUDER REGENSDORF ZÜRICH		Benennung: Assembly 862-304		Kopie für:			Nr.:
							1.861.734-00





10.0436	D 820 X	PAGE 1 OF 2
STUDER	DUAL PLL	1.861.725.00

14.0486	D 820 X	PAGE 2 OF 2
STUDER	DUAL PLL	1.861.725.00



IND.	POS.ND.	PART NO.	VALUE	SPECIFICATIONS / EQUIVALENT	MANUF.	IND.	POS.ND.	PART NO.	VALUE	SPECIFICATIONS / EQUIVALENT	MANUF.
C++0001		594.06.0104	100n	10% 30V * FILM	ANY	R++0020		57.11.3242	2.4 K	1% K	ANY
C++0002		594.06.0474	470n	10% 30V * FILM	ANY	R++0021		57.11.4082	6.8 K	2% K	ANY
C++0003		594.06.0333	33n	10% 30V * FILM	ANY	R++0022		57.11.4222	2.2 K	2% K	ANY
C++0004		594.06.0354	350n	10% 30V * FILM	ANY	R++0023		57.11.3133	13 K	1% K	ANY
C++0005		594.06.0383	38n	10% 30V * FILM	ANY	R++0024		57.11.4152	1.5 K	1% K	ANY
C++0006		594.06.0224	220n	10% 30V * FILM	ANY	R++0025		57.11.4082	6.8 K	2% K	ANY
C++0007		594.06.0383	38n	10% 30V * FILM	ANY	R++0026		57.11.4102	1 K	2% K	ANY
C++0008		594.06.0104	100n	10% 30V * FILM	ANY	R++0027		57.11.5104	10 M	5% M	ANY
C++0009		594.06.0104	100n	10% 30V * FILM	ANY	R++0028		57.11.5104	10 M	5% M	ANY
C++0010		594.06.0104	100n	10% 30V * FILM	ANY	TP+0001		54.02.0320			ANY
C++0011		594.06.0474	470n	10% 30V * FILM	ANY	TP+0002		54.02.0320			ANY
C++0012		594.06.0104	100n	10% 30V * FILM	ANY	TP+0003		54.02.0320			ANY
C++0013		594.06.0474	470n	10% 30V * FILM	ANY	TP+0004		54.02.0320			ANY
C++0014		594.06.0333	33n	10% 30V * FILM	ANY	TP+0005		54.02.0320			ANY
C++0015		594.06.0334	33n	10% 30V * FILM	ANY	XIC0001		53.03.0166		XIC DIL 8-POL	ANY
C++0016		594.06.0383	38n	10% 30V * FILM	ANY	XIC0002		53.03.0166		XIC DIL 8-POL	ANY
C++0017		594.06.0104	100n	10% 30V * FILM	ANY	XIC0003		53.03.0167		XIC DIL 14-POL	ANY
C++0018		594.06.0303	30n	10% 30V * FILM	ANY	XIC0004		53.03.0167		XIC DIL 14-POL	ANY
C++0019		594.06.0104	100n	10% 30V * FILM	ANY	XIC0005		53.03.0167		XIC DIL 14-POL	ANY
C++0020		594.06.0104	100n	10% 30V * FILM	ANY	XIC0006		53.03.0167		XIC DIL 14-POL	ANY
C++0021		594.06.0104	100n	10% 30V * FILM	ANY	XIC0007		53.03.0167		XIC DIL 14-POL	ANY
C++0022		594.06.0474	470n	10% 30V * FILM	ANY	XIC0008		53.03.0167		XIC DIL 14-POL	ANY
C++0023		594.06.0474	470n	10% 30V * FILM	ANY						
C++0024		594.06.0104	100n	10% 30V * FILM	ANY						
C++0025		594.06.0104	100n	10% 30V * FILM	ANY						
C++0026		594.06.0474	470n	10% 30V * FILM	ANY						
C++0027		594.06.0104	100n	10% 30V * FILM	ANY						
C++0028		594.06.0104	100n	10% 30V * FILM	ANY						
C++0029		594.06.0474	470n	10% 30V * FILM	ANY						
C++0030		594.06.0104	100n	10% 30V * FILM	ANY						
C++0031		594.06.0474	470n	10% 30V * FILM	ANY						
C++0032		594.06.0474	470n	10% 30V * FILM	ANY						
C++0033		594.06.0104	100n	10% 30V * FILM	ANY						
C++0034		594.06.0104	100n	10% 30V * FILM	ANY						
C++0035		594.06.0104	100n	10% 30V * FILM	ANY						
C++0036		594.06.0104	100n	10% 30V * FILM	ANY						
C++0037		594.06.0104	100n	10% 30V * FILM	ANY						

STUDER (01) 86/08/14 Sn DUAL PLL 1.861.725.00 PAGE 1

STUDER (02) 86/08/14 Sn DUAL PLL 1.861.725.00 PAGE 4

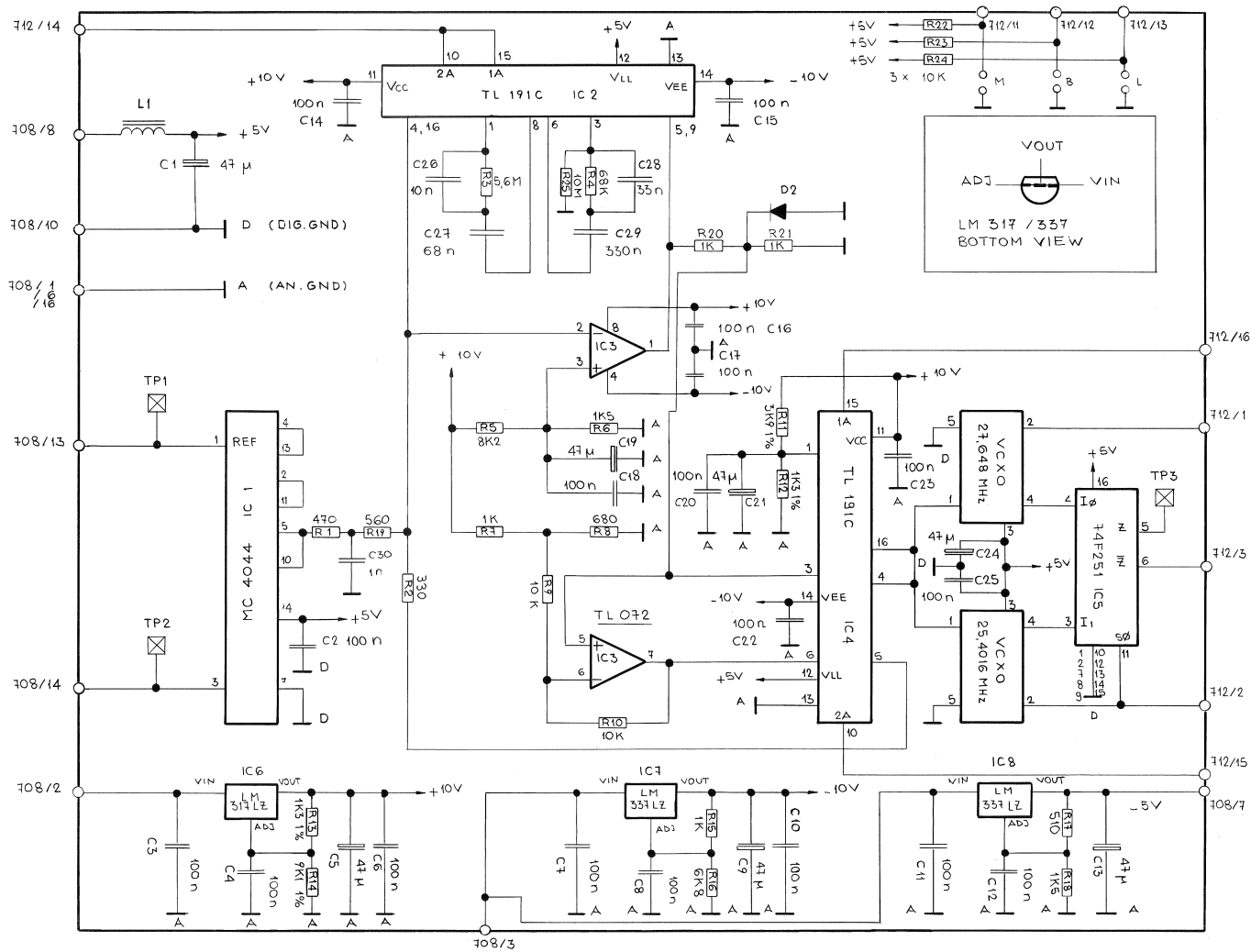
IND.	POS.ND.	PART NO.	VALUE	SPECIFICATIONS / EQUIVALENT	MANUF.
C++0038		594.06.0104	100n	10% 30V * FILM	ANY
C++0039		594.06.0104	100n	10% 30V * FILM	ANY
C++0040		594.06.0104	100n	10% 30V * FILM	ANY
C++0041		594.06.0104	100n	10% 30V * FILM	ANY
C++0042		594.06.0104	100n	10% 30V * FILM	ANY
C++0043		594.06.0104	100n	10% 30V * FILM	ANY
C++0044		594.06.0104	100n	10% 30V * FILM	ANY
C++0045		594.06.0104	100n	10% 30V * FILM	ANY
C++0046		594.06.0104	100n	10% 30V * FILM	ANY
C++0047		594.06.0474	470n	10% 30V * FILM	ANY
C++0048		594.06.0474	470n	10% 30V * FILM	ANY
C++0049		594.06.0104	100n	10% 30V * FILM	ANY
C++0050		594.06.0474	470n	10% 30V * FILM	ANY
C++0051		594.06.0474	470n	10% 30V * FILM	ANY
C++0052		594.06.0474	470n	10% 30V * FILM	ANY
D++0001		50.04.0139	88 112	MV4 109V, MV 140v	MoT-Ph
D++0002		50.04.0139	88 112	MV4 109V, MV 140v	MoT-Ph
D++0003		50.04.0125	1N 4448		ANY
D++0004		50.04.0125	1N 4448		ANY
IC+0001		50.05.0140		IC 4094	ANY
IC+0002		50.04.0101	1L 072		ANY
IC+0003		50.04.0101	1L 072		ANY
IC+0004		50.04.0115	NE 529 N		ANY
IC+0005		50.04.0101	1L 072		ANY
IC+0006		50.04.0101	1L 072		ANY
IC+0007		50.04.0101	1L 072		ANY
IC+0008		50.04.0115	NE 529 N		ANY
IC+0009		50.04.0108	LM 317LZ		ANY
IC+0010		50.04.0108	LM 317LZ		ANY
IC+0011		50.04.0109	LM 337LZ		ANY
L++0001		62.02.2109	100V	10% RAD., RM 5	ANY
L++0002		62.02.2109	100V	10% RAD., RM 5	ANY
L++0003		62.01.0115		WID-BAND HF CHOKE	Ph
L++0004		62.01.0115		WID-BAND HF CHOKE	Ph

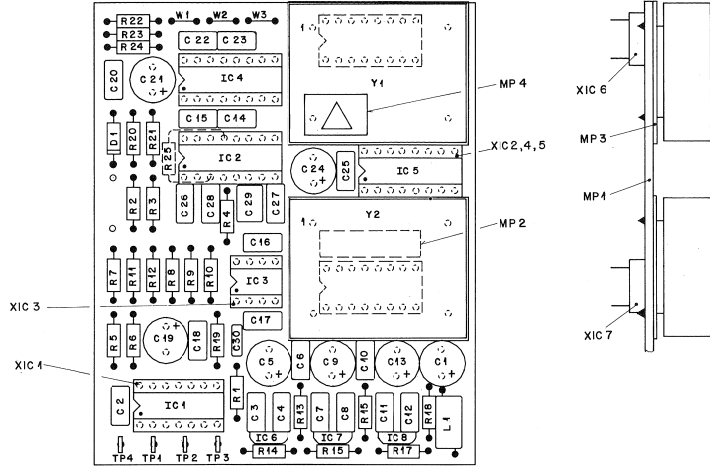
STUDER (03) 86/08/14 Sn DUAL PLL 1.861.725.00 PAGE 2

IND.	POS.ND.	PART NO.	VALUE	SPECIFICATIONS / EQUIVALENT	MANUF.
MP+0001		53.03.0191		ADAPTER PLUG 288	ANY
MP+0002		53.03.0191		ADAPTER PLUG 288	ANY
MP+0003		1.010.027.54		FRONT PIN (MOUNTING PURPOSES)	St
MP+0004		1.010.027.54		FRONT PIN (MOUNTING PURPOSES)	St
MP+0005		1.010.027.54		FRONT PIN (MOUNTING PURPOSES)	St
MP+0006		1.010.027.54		FRONT PIN (MOUNTING PURPOSES)	St
MP+0007		1.010.027.54		FRONT PIN (MOUNTING PURPOSES)	St
MP+0008		1.010.027.54		FRONT PIN (MOUNTING PURPOSES)	St
MP+0009		1.010.027.54		FRONT PIN (MOUNTING PURPOSES)	St
MP+0010		1.010.027.54		FRONT PIN (MOUNTING PURPOSES)	St
MP+0011		1.861.725.11		PCB	St
MP+0012		1.861.725.010		SCREENING COVER, ANGELO	St
MP+0013		1.861.725.03		SCREENING COVER, ANGELO	St
MP+0014		1.861.725.022		SCREENING COVER,LARGE	St
MP+0015		1.861.725.02		SCREENING COVER,LARGE	St
MP+0016		1.861.725.031		LABEL WITH BOARD NUMBER	St
MP+0017		43.01.0308		LABEL PESE	ANY
R++0001		57.11.4102	1 K	2% K	ANY
R++0002		57.11.3132	1.3 K	1% K	ANY
R++0003		57.11.3132	9.1 K	1% K	ANY
R++0004		57.11.4222	2.2 K	2% K	ANY
R++0005		57.11.4101	100	2% K	ANY
R++0006		57.11.4101	100	2% K	ANY
R++0007		57.11.4102	1 K	2% K	ANY
R++0008		57.11.4132	3.3 K	2% K	ANY
R++0009		57.11.3132	1.2 K	1% K	ANY
R++0010		57.11.3132	2.4 K	1% K	ANY
R++0011		57.11.4102	1 K	2% K	ANY
R++0012		57.11.3132	1.3 K	1% K	ANY
R++0013		57.11.3132	9.1 K	1% K	ANY
R++0014		57.11.4102	1.2 K	2% K	ANY
R++0015		57.11.4101	100	2% K	ANY
R++0016		57.11.4101	100	2% K	ANY
R++0017		57.11.4102	1 K	2% K	ANY
R++0018		57.11.4132	1.3 K	2% K	ANY
R++0019		57.11.3132	1.2 K	1% K	ANY

STUDER (03) 86/08/14 Sn DUAL PLL 1.861.725.00 PAGE 3

1.8.1035	STUDER
D-820X	VCX0
PAGE	OF
1.861.732.00	





IND.	POS.NO.	PART NO.	VALUE	SPECIFICATIONS / EQUIVALENT	MANUF.	IND.	POS.NO.	PART NO.	VALUE	SPECIFICATIONS / EQUIVALENT	MANUF.
C****1	59.22.5470	47u	20% 25V	EL	ANY	IC****5	50.21.0251		74.1.251		ANY
C****2	59.08.0104	100M	10% 63V	PETP	ANY	IC****6	50.10.0109		LM 137 LZ		ANY
C****3	59.08.0104	100M	10% 63V	PETP	ANY	IC****7	50.10.0109		LM 137 LZ		ANY
C****4	59.08.0104	100M	10% 63V	PETP	ANY	IC****8	50.10.0109		LM 137 LZ		ANY
C****5	59.22.5470	57u	20% 25V	EL	ANY	L****1	02.01.0155		W501-BAND HF-CHOKE		ANY
C****6	59.08.0104	100M	10% 63V	PETP	ANY	MP****1	1.861.732.12		PCB		SE
C****7	59.08.0104	100M	10% 63V	PETP	ANY	MP****2	1.861.732.031		LABEL WITH BOARD NUMBER		SE
C****8	59.22.5470	57u	20% 25V	EL	ANY	MP****3	1.861.732.02		INSULATOR (RELVD VCD ASSYS)		SE
C****9	59.08.0104	100M	10% 63V	PETP	ANY	MP****4	50.10.0108		LABEL TEST*		ANY
C****10	59.08.0104	100M	10% 63V	PETP	ANY	MP****5	53.73.0191		SOCKET CONNECTOR 16-PIN		ANY
C****11	59.08.0104	100M	10% 63V	PETP	ANY	MP****6	53.33.0191		SOCKET CONNECTOR 16-PIN		ANY
C****12	59.08.0104	100M	10% 63V	PETP	ANY	R****1	57.11.471	470	ZK		ANY
C****13	59.22.5470	57u	20% 25V	EL	ANY	R****2	57.11.431	330	ZK		ANY
C****14	59.08.0104	100M	10% 63V	PETP	ANY	R****3	57.11.065	54M	50		ANY
C****15	59.08.0104	100M	10% 63V	PETP	ANY	R****4	57.11.403	1K	ZK		ANY
C****16	59.08.0104	100M	10% 63V	PETP	ANY	R****5	57.11.403	1K	ZK		ANY
C****17	59.08.0104	100M	10% 63V	PETP	ANY	R****6	57.11.403	1K	ZK		ANY
C****18	59.08.0104	100M	10% 63V	PETP	ANY	R****7	57.11.403	1K	ZK		ANY
C****19	59.22.5470	57u	20% 25V	EL	ANY	R****8	57.11.403	1K	ZK		ANY
C****20	59.08.0104	100M	10% 63V	PETP	ANY	R****9	57.11.403	1K	ZK		ANY
C****21	59.22.5470	57u	20% 25V	EL	ANY	R****10	57.11.403	1K	ZK		ANY
C****22	59.08.0104	100M	10% 63V	PETP	ANY	R****11	57.11.403	1K	ZK		ANY
C****23	59.08.0104	100M	10% 63V	PETP	ANY	R****12	57.11.403	1K	ZK		ANY
C****24	59.22.5470	57u	20% 25V	EL	ANY	R****13	57.11.403	1K	ZK		ANY
C****25	59.08.0104	100M	10% 63V	PETP	ANY	R****14	57.11.403	1K	ZK		ANY
C****26	59.08.0104	100M	10% 63V	PETP	ANY	R****15	57.11.403	1K	ZK		ANY
C****27	59.08.0103	10M	10% 63V	PETP	ANY	R****16	57.11.403	1K	ZK		ANY
C****28	59.08.0083	30M	10% 63V	PETP	ANY	R****17	57.11.403	1K	ZK		ANY
C****29	59.08.0335	33M	10% 63V	PETP	ANY	R****18	57.11.403	1K	ZK		ANY
C****30	59.32.4102	1K	20% 63V	CR	ANY	R****19	57.11.403	1K	ZK		ANY
D****1	50.04.0125	1M4441		DIODE	PH	R****20	57.11.403	1K	ZK		ANY
IC****1	50.05.0149			MC 4064 L	ANY	R****21	57.11.403	1K	ZK		ANY
IC****2	50.11.0120			TL 191 CN	ANY	R****22	57.11.403	1K	ZK		ANY
IC****3	50.09.0101			TL 072 CP	ANY	R****23	57.11.403	1K	ZK		ANY
IC****4	50.11.0120			TL 191 CN	ANY						

S T U D E R (00) 86/02/17 5h VCXO 1.861.732.00 PAGE 1 S T U D E R (00) 86/02/17 5h VCXO 1.861.732.00 PAGE 2

IND.	POS.NO.	PART NO.	VALUE	SPECIFICATIONS / EQUIVALENT	MANUF.
R****24	57.11.403	10K	ZK	ANY	
R****25	57.11.5106	10M	ZK	ANY	
TP****1	29.21.6002		TEST-POINT	ANY	
TP****2	29.21.6002		TEST-POINT	ANY	
TP****3	29.21.6002		TEST-POINT	ANY	
TP****4	29.21.6002		TEST-POINT	ANY	
J****1	1010.321.64		JUMPER-WIRE	ANY	
J****2	1010.321.64		JUMPER-WIRE	ANY	
J****3	1010.321.64		JUMPER-WIRE	ANY	
XIC****1	53.03.0167		XIC DIL 16-PIN	ANY	
XIC****2	53.03.0168		XIC DIL 16-PIN	ANY	
XIC****3	53.03.0168		XIC DIL 16-PIN	ANY	
XIC****4	53.03.0168		XIC DIL 16-PIN	ANY	
XIC****5	53.03.0168		XIC DIL 16-PIN	ANY	
Y****1	86.01.0557		VCXO 21.048 MHz 5IL 7 PIN	HF	
Y****2	86.01.0556		VCXO 21.048 MHz 5IL 7 PIN	HF	

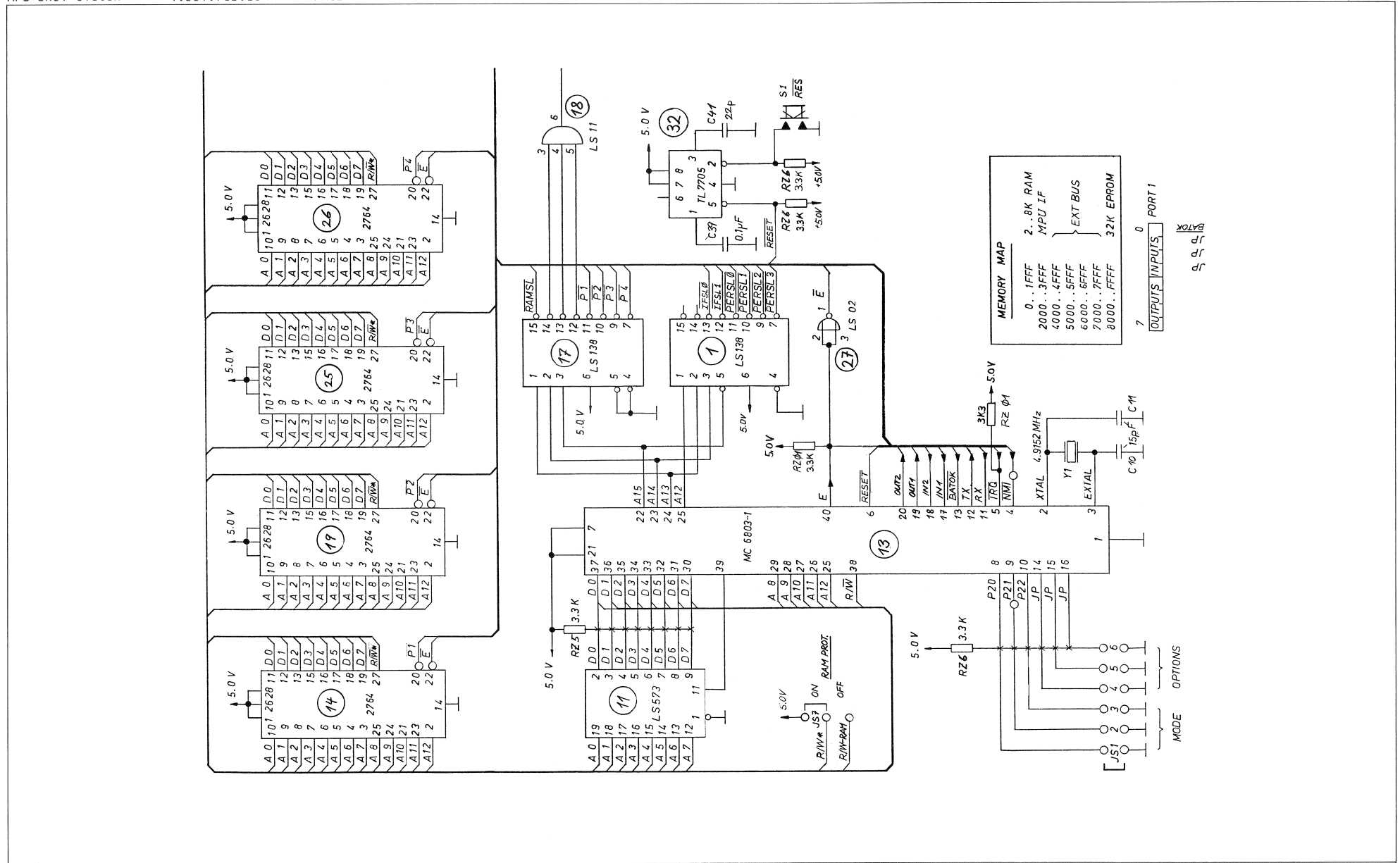
REMARKS:

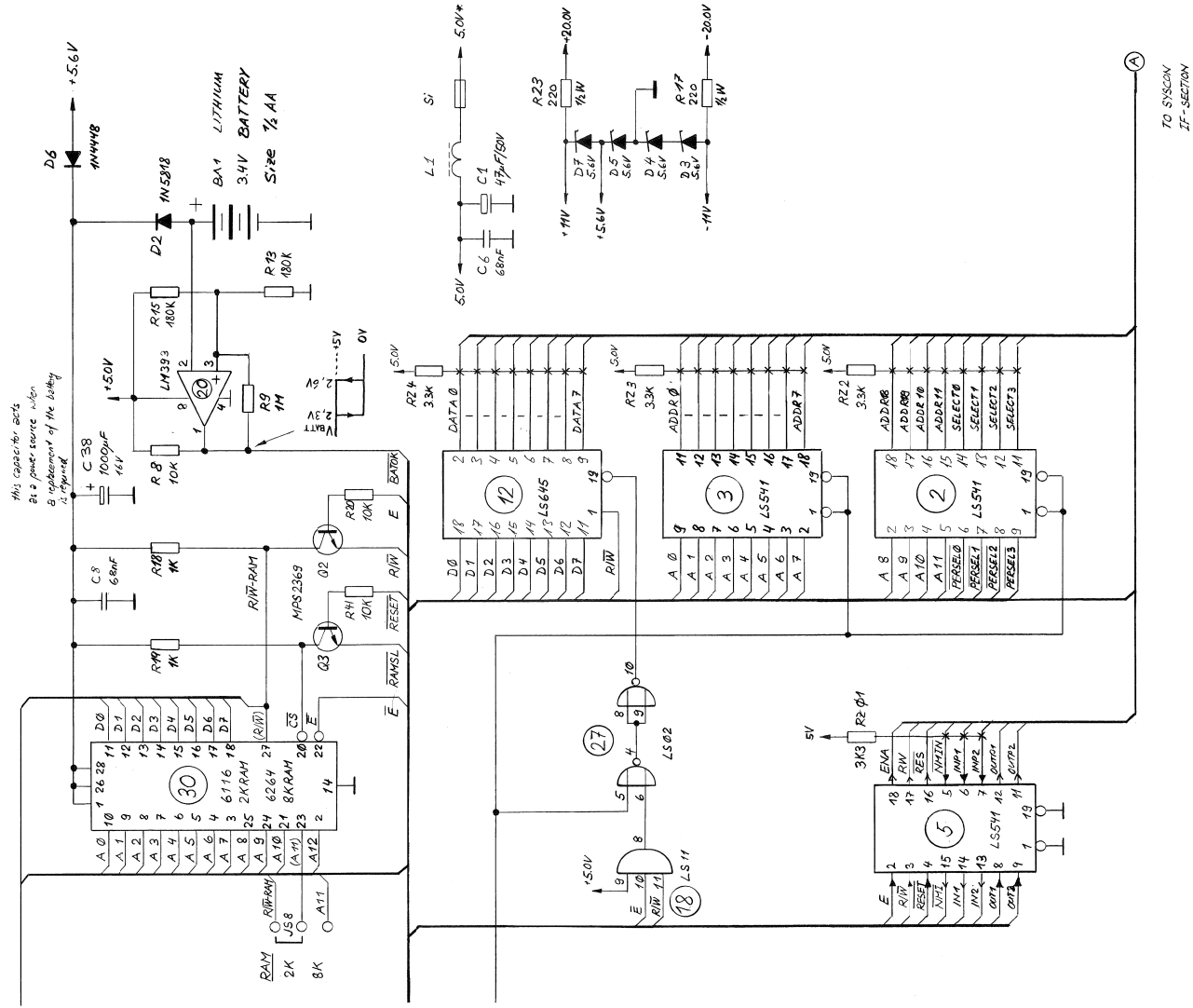
MANUFACTURERS:
SE = STUDER

ABBREVIATIONS:
CR = CERAMIC / FILM + FILM TYPE / AF = CLAMP FOR FUSES /
XIC = IC SOCKET / DI = DIODE, DIODE

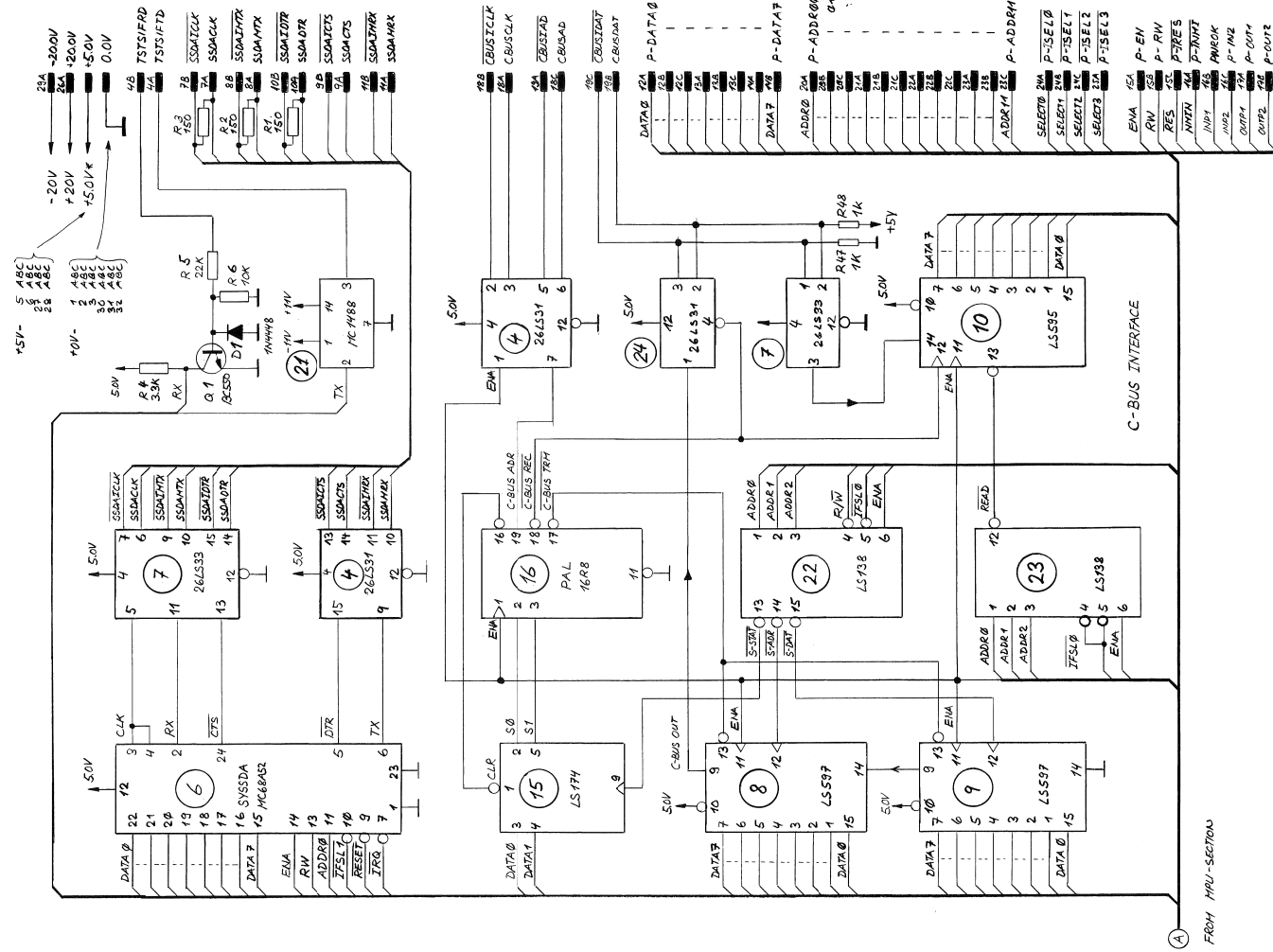
ORIG 86/02/17

S T U D E R (00) 86/02/17 5h VCXO 1.861.732.00 PAGE 3





17.0V.85 Dse	27.0V.85 Pcc	...
D820X	MPU UNIT SYSCON	SC
STUDER		
PAGE 1 OF 2		1.861.763.00

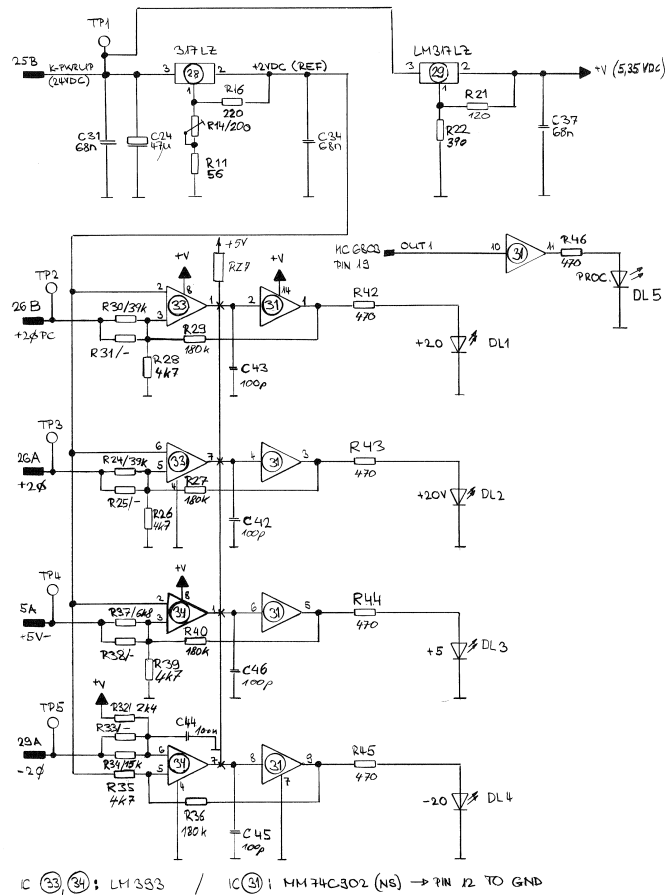


IND.	POS.NO.	PART NO.	VALUE	SPECIFICATIONS / EQUIVALENT	MANUF.	IND.	POS.NO.	PART NO.	VALUE	SPECIFICATIONS / EQUIVALENT	MANUF.	IND.	POS.NO.	PART NO.	VALUE	SPECIFICATIONS / EQUIVALENT	MANUF.	IND.	POS.NO.	PART NO.	VALUE	SPECIFICATIONS / EQUIVALENT	MANUF.
BA****1	89-01-0275			LEITF. 3x6V. 14.7PZ5.5 SONNENSCHIRM	ANY	C****36	59-99-0205	68n	50k 10V CER	ANY	I****10	90-06-0095				SN 74 LS 595 N	ANY	MP****1	21-01-0277	1 PCS	SCREEN CYLIND HEAD, M2-504	ANY	
C****11	59-22-5470	47u	20k	25V. ELECTROLYTIC	ANY	C****37	59-99-0205	68n	50k 10V CER	ANY	I****11	90-06-0103				SN 74 LS 573	ANY	MP****2	21-01-0277	1 PCS	SCREEN CYLIND HEAD, M2-504	ANY	
C****12	59-99-0205	68n	50k	10V CER	ANY	C****38	59-25-3102	1000u	50k 10V ELECTROLYTIC	ANY	I****12	90-06-0045				SN 74 LS 545	ANY	MP****3	21-01-0277	1 PCS	SCREEN CYLIND HEAD, M2-504	ANY	
C****13	59-99-0205	68n	50k	10V CER	ANY	C****39	59-06-0106	100n	50k 10V CER	ANY	I****13	90-14-0107				MC 5805 P-1	ANY	MP****4	21-01-0277	1 PCS	SCREEN CYLIND HEAD, M2-504	ANY	
C****14	59-99-0205	68n	50k	10V CER	ANY	C****40	59-99-0205	68n	50k 10V CER	ANY	I****14	90-14-0113				2744	(1861942Z)	ANY	MP****5	21-01-0277	1 PCS	SCREEN COUNTERSUNK HEAD, M2-504	ANY
C****15	59-99-0205	68n	20k	63V CER	ANY	C****41	59-14-2210	25p	10k 63V CER	ANY	I****15	90-06-0174				SN 74 LS 174 N	ANY	MP****6	21-01-0277	1 PCS	SCREEN COUNTERSUNK HEAD, M2-504	ANY	
C****16	59-99-0205	68n	20k	63V CER	ANY	C****42	59-14-1011	100p	5k 63V CER	ANY	I****16	90-18-0012				PAL 16 R 1 A-2 CN	(1861942Z)	ANY	MP****7	21-01-0277	1 PCS	SCREEN COUNTERSUNK HEAD, M2-504	ANY
C****17	59-99-0205	68n	50k	10V CER	ANY	C****43	59-14-1011	100p	5k 63V CER	ANY	I****17	90-06-0138				SN 74 LS 138	ANY	MP****8	21-01-0277	1 PCS	SCREEN COUNTERSUNK HEAD, M2-504	ANY	
C****18	59-99-0205	68n	50k	10V CER	ANY	C****44	59-06-0104	100n	10k 63V PEEP	ANY	I****18	90-06-0111				SN 74 LS 11 N	ANY	MP****9	24-16-1025	1 PCS	LOCK WASHER, M2-5	ANY	
C****19	59-99-0205	68n	50k	10V CER	ANY	C****45	59-14-1011	100p	5k 63V CER	ANY	I****19	90-14-0113				2744	(1861942Z)	ANY	MP****10	24-16-1025	1 PCS	LOCK WASHER, M2-5	ANY
C****20	59-99-0205	68n	20k	63V CER	ANY	C****46	59-14-1011	100p	5k 63V CER	ANY	I****20	90-05-0283				LM 393 N	ANY	MP****11	24-16-1025	1 PCS	LOCK WASHER, M2-5	ANY	
C****21	59-36-1150	15p	50k	63V CER	ANY	D****1	50-04-0129		1N 4448	ANY	I****21	90-14-0106				MC 1408	ANY	MP****12	24-16-1025	1 PCS	LOCK WASHER, M2-5	ANY	
C****22	59-99-0205	68n	50k	10V CER	ANY	D****2	50-04-0912		1N 5808	ANY	I****22	90-06-0138				SN 74 LS 138	ANY	MP****13	28-21-1370	1 PCS	RIVETING NUT, D2-2595-5	ANY	
C****23	59-99-0205	68n	50k	10V CER	ANY	D****3	50-04-1108		2D 5V6	ANY	I****23	90-06-0138				SN 74 LS 138	ANY	MP****14	28-21-1370	1 PCS	RIVETING NUT, D2-2595-5	ANY	
C****24	59-99-0205	68n	50k	10V CER	ANY	D****4	50-04-1108		2D 5V6	ANY	I****24	50-14-0108				AM26 LS 31 PC-AM26 LS31 CN	(1861942Z)	ANY	MP****15	28-21-1370	1 PCS	RIVETING NUT, D2-2595-5	ANY
C****25	59-99-0205	68n	50k	10V CER	ANY	D****5	50-04-1108		2D 5V6	ANY	I****25	50-14-0113				2744	(1861942Z)	ANY	MP****16	28-99-0119	1 PCS	RIVETING NUT, D2-590-15-910	ANY
C****26	59-99-0205	68n	50k	10V CER	ANY	D****6	50-04-1125		1N 4448	ANY	I****26	50-06-0102				SN 74 LS 02 N	ANY	MP****17	28-99-0119	1 PCS	RIVETING NUT, D2-590-15-910	ANY	
C****27	59-99-0205	68n	50k	10V CER	ANY	D****7	50-04-1108		2D 5V6	ANY	I****27	50-10-0108				LM 317 L2	ANY	MP****18	1-010-009-33	1 PCS	MARKING HANDLE	ANY	
C****28	59-99-0205	68n	50k	10V CER	ANY	D****8	50-04-1108		2D 5V6	ANY	I****28	50-10-0108				LM 317 L2	ANY	MP****19	1-010-009-33	1 PCS	MARKING HANDLE	ANY	
C****29	59-99-0205	68n	50k	10V CER	ANY	D****9	50-10-0108		2D 5V6	ANY	I****29	50-10-0108				HM 116 LP-3	ANY	MP****20	1-010-009-49	1 PCS	TRANSPARENT COVER	ANY	
C****30	59-99-0205	68n	50k	10V CER	ANY	DL****1	50-04-2162	LOW 15-5	LED GREEN; DIFFUSE	ANY	I****30	50-14-0107				MPN C 902 N	ANY	MP****21	1-861-750-03	1 PCS	STAND-OFF, M2-595-2	SL	
C****31	59-99-0205	68n	50k	10V CER	ANY	DL****2	50-04-2162	LOW 15-5	LED GREEN; DIFFUSE	ANY	I****31	90-07-0067				TL 7709 ACP	ANY	MP****22	1-861-750-03	1 PCS	STAND-OFF, M2-595-2	SL	
C****32	59-99-0205	68n	50k	10V CER	ANY	DL****3	50-04-2162	LOW 15-5	LED GREEN; DIFFUSE	ANY	I****32	50-11-0822				LM 393 N	ANY	MP****23	1-861-750-03	1 PCS	STAND-OFF, M2-595-2	SL	
C****33	59-99-0205	68n	50k	10V CER	ANY	DL****4	50-04-2162	LOW 15-5	LED GREEN; DIFFUSE	ANY	I****33	50-05-0283				LM 393 N	ANY	MP****24	1-861-750-03	1 PCS	STAND-OFF, M2-595-2	SL	
C****34	59-99-0205	68n	50k	10V CER	ANY	DL****5	50-04-2162	LOW 15-5	LED GREEN; DIFFUSE	ANY	I****34	50-05-0283				LM 393 N	ANY	MP****25	1-861-750-01	1 PCS	METAL PLATE	ANY	
C****35	59-22-5470	47u	20k	25V. ELECTROLYTIC	ANY	F****1	51-01-0127		FUSE; 3.15A/250V; 592mm	ANY	J****1	94-01-0021				JUMPER 2 P-63	ANY	MP****26	1-861-750-02	1 PCS	INSULATOR	ANY	
C****36	59-99-0205	68n	50k	10V CER	ANY	I****1	90-04-0138		SN 74 LS 138	ANY	J****2	94-01-0021				JUMPER 2 P-63	ANY	MP****27	1-861-750-02	1 PCS	PCB	SL	
C****37	59-99-0205	68n	50k	10V CER	ANY	I****2	90-04-0138		SN 74 LS 138	ANY	J****3	94-01-0021				JUMPER 2 P-63	ANY	MP****28	1-861-750-03	1 PCS	NAME PLATE, A-3591	ANY	
C****38	59-99-0205	68n	50k	10V CER	ANY	I****3	90-04-0138		SN 74 LS 541 N	ANY	J****4	94-01-0021				JUMPER 2 P-63	ANY	MP****29	1-861-750-03	1 PCS	TIE-RAP, 2-5892mm	ANY	
C****39	59-99-0205	68n	50k	10V CER	ANY	I****4	90-04-0138		SN 74 LS 541 N	ANY	J****5	94-01-0021				JUMPER 2 P-63	ANY	MP****30	1-101-001-03	1 PCS	LABEL "RELEASE VERSION -20"	SL	
C****40	59-99-0205	68n	50k	10V CER	ANY	I****5	90-15-0108		AM26 LS 31 PC-AM26 LS31 CN	ANY	J****6	94-01-0021				JUMPER 2 P-63	ANY	MP****31	1-010-010-58	1 PCS	LABEL "PULSE 3x15M"	SL	
C****41	59-99-0205	68n	50k	10V CER	ANY	I****6	90-04-0138		SN 74 LS 541 N	ANY	J****7	94-01-0021				JUMPER 2 P-63	ANY	MP****32	1-010-012-50	1 PCS	SEE REMARKS (END OF LIST)	SL	
C****42	59-99-0205	68n	50k	10V CER	ANY	I****7	90-14-0113		MC 84 A 92 P	ANY	J****8	94-01-0021				JUMPER 2 P-63	ANY	MP****33	1-010-012-50	1 PCS	CLAMP FOR DIODES	SL	
C****43	59-99-0205	68n	50k	10V CER	ANY	I****8	50-11-0109		AM26 LS33 PC-0526 LS33 CN	ANY	I****9	50-11-0109				MPN LS 33	ANY	MP****34	1-010-012-50	1 PCS	CLAMP FOR DIODES	SL	
C****44	59-99-0205	68n	50k	10V CER	ANY	I****9	50-11-0109		SN 74 LS 597	ANY	L****1	62-01-0115				WIG-BAND HF-CHECKE	PH	MP****35	1-010-012-50	1 PCS	CLAMP FOR DIODES	SL	
C****45	59-99-0205	68n	50k	10V CER	ANY	I****10	50-11-0109		SN 74 LS 597	ANY								MP****36	1-010-012-50	1 PCS	CLAMP FOR DIODES	SL	

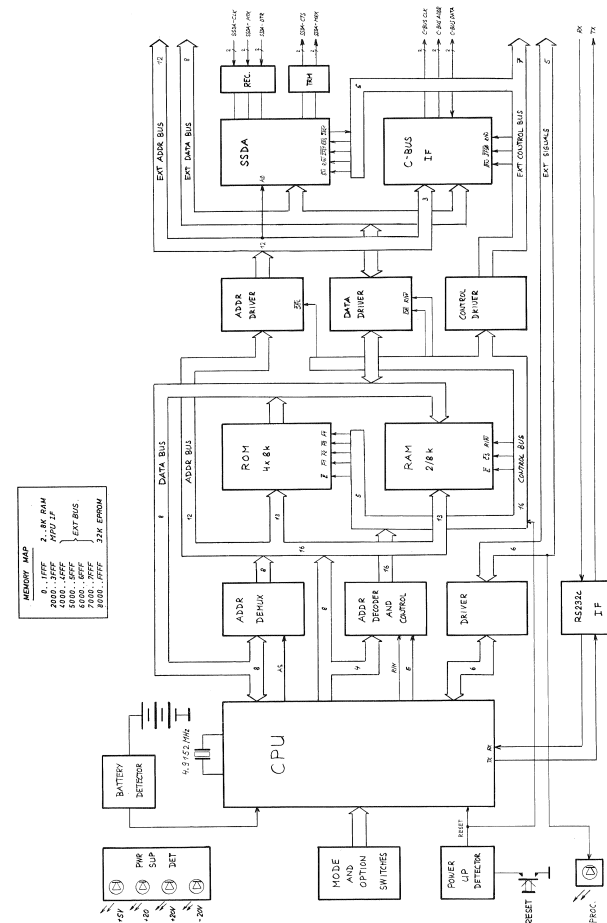
IND.	POS.NO.	PART NO.	VALUE	SPECIFICATIONS / EQUIVALENT	MANUF.	IND.	POS.NO.	PART NO.	VALUE	SPECIFICATIONS / EQUIVALENT	MANUF.
MP	38	1.010-012-50	1	PCS CLAMP FOR DIODES	5E	XIC	21	53-03-0173		XIC DIL 28-PIN	ANY
P	1	54-01-3558		CLAMP CONNECTOR, 3432 EURO SOLDERING	ANY	XIC	22	53-03-0168		XIC DIL 16-PIN	ANY
P	2	54-01-2020		JUMPER PIN	ANY	XIC	23	53-03-0173		XIC DIL 28-PIN	ANY
P	3	54-01-2020		JUMPER PIN	ANY	XIC	24	53-03-0168		XIC DIL 16-PIN	ANY
P	4	54-01-2020		JUMPER PIN	ANY	XIC	25	53-03-0168		XIC DIL 16-PIN	ANY
P	5	54-01-2020		JUMPER PIN	ANY	XIC	26	53-03-0168		XIC DIL 16-PIN	ANY
P	6	54-01-2020		JUMPER PIN	ANY	XIC	27	53-03-0168		XIC DIL 16-PIN	ANY
P	7	54-01-2020		JUMPER PIN	ANY	XIC	28	53-03-0168		XIC DIL 16-PIN	ANY
P	8	54-01-2020		JUMPER PIN	ANY	XIC	29	53-03-0168		XIC DIL 16-PIN	ANY
P	9	54-01-2020		JUMPER PIN	ANY	XIC	30	53-03-0165		XIC DIL 20-PIN	ANY
P	10	54-01-2020		JUMPER PIN	ANY	XIC	31	53-03-0165		XIC DIL 20-PIN	ANY
P	11	54-01-2020		JUMPER PIN	ANY	XIC	32	53-03-0165		XIC DIL 20-PIN	ANY
P	12	54-01-2020		JUMPER PIN	ANY	Y	1	89-01-0553		X-TAL 4.9332 MHZ	ANY
P	13	54-01-2020		JUMPER PIN	ANY						
P	14	54-01-2020		JUMPER PIN	ANY						
P	15	54-01-2020		JUMPER PIN	ANY						
P	16	54-01-2020		JUMPER PIN	ANY						
P	17	54-01-2020		JUMPER PIN	ANY						
P	18	54-01-2020		JUMPER PIN	ANY						
P	19	54-01-2020		JUMPER PIN	ANY						
Q	1	50-03-2497		BC 550	ANY	REMARKS: MP31: INSERT APPROPRIATE LABEL: 1-101-002-01 FOR FIRST QUARTER OF YEAR 1-101-002-02 FOR SECOND QUARTER OF YEAR 1-101-002-03 FOR THIRD QUARTER OF YEAR 1-101-002-04 FOR FOURTH QUARTER OF YEAR THE NUMBER CORRESPONDS WITH THE INSERTION DATE.					
Q	2	50-03-2508		MS 2369	ANY						
Q	3	50-03-2508		MS 2369	ANY						
R	1	57-11-4151	190	ZK	ANY	MANUFACTURERS: 5L = STUDER					
R	2	57-11-4151	190	ZK	ANY	ABBREVIATIONS: CER = CERAMIC / FILM = FILM TYPE / XF = CLAMP FOR FUSES / XIC = IC SOCKET					
R	3	57-11-4151	190	ZK	ANY	ORIG 86/10/1'					
R	4	57-11-4332	3.3k	ZK	ANY						
R	5	57-11-4103	22k	ZK	ANY						
R	6	57-11-4103	10k	ZK	ANY						
R	7	57-11-4103	10k	ZK	ANY						
R	8	57-11-4105	1M	ZK	ANY						
R	9	57-11-4105	1M	ZK	ANY						
R	10	57-11-4105	100k	ZK	ANY						
R	11	57-11-4360	5k	ZK	ANY						
R	12	57-11-4105	100k	ZK	ANY						
S T U D E R (00) 86/10/AT 5h SYSTEM CONTROLLER 1.861.763-20 PAGE 5						S T U D E R (00) 86/10/17 5h SYSTEM CONTROLLER 1.861.763-20 PAGE 8					

IND.	POS.NO.	PART NO.	VALUE	SPECIFICATIONS / EQUIVALENT	MANUF.
R	16	54-01-8201	200	1CM 0.5 W PMG	ANY
R	16	57-11-4221	220	ZK	ANY
R	17	57-11-4221	220	ZK 0-5W	ANY
R	18	57-11-4102	1k	ZK	ANY
R	19	57-11-4102	1k	ZK	ANY
R	20	57-11-4103	10k	ZK	ANY
R	21	57-11-4102	120	ZK	ANY
R	22	57-11-4391	300	ZK	ANY
R	23	57-11-4221	220	ZK 0-5W	ANY
R	24	57-11-4393	39k	ZK	ANY
R	25	57-11-4672	4.7k	ZK	ANY
R	27	57-11-4184	180k	ZK	ANY
R	28	57-11-4672	4.7k	ZK	ANY
R	29	57-11-4184	180k	ZK	ANY
R	30	57-11-4672	4.7k	ZK	ANY
R	32	57-11-3242	2.4k	ZK	ANY
R	34	57-11-4184	180k	ZK	ANY
R	35	57-11-4672	4.7k	ZK	ANY
R	36	57-11-4184	180k	ZK	ANY
R	37	57-11-4682	6.8k	ZK	ANY
R	38	57-11-4682	6.8k	ZK	ANY
R	40	57-11-4184	180k	ZK	ANY
R	41	57-11-4103	10k	ZK	ANY
R	42	57-11-4471	470	ZK	ANY
R	43	57-11-4471	470	ZK	ANY
R	44	57-11-4471	470	ZK	ANY
R	45	57-11-4471	470	ZK	ANY
R	46	57-11-4471	470	ZK	ANY
R	47	57-11-4102	1k	ZK	ANY
R	48	57-11-4102	1k	ZK	ANY
R	1	57-88-4332	803.3k	SIL 9	ANY
R	2	57-88-4332	803.3k	SIL 9	ANY
R	3	57-88-4332	803.3k	SIL 9	ANY
R	4	57-88-4332	803.3k	SIL 9	ANY
R	5	57-88-4332	803.3k	SIL 9	ANY
R	6	57-88-4332	803.3k	SIL 9	ANY
S T U D E R (00) 86/10/17 5h SYSTEM CONTROLLER 1.861.763-20 PAGE 6					

IND.	POS.NO.	PART NO.	VALUE	SPECIFICATIONS / EQUIVALENT	MANUF.
R	7	57-88-4332	803.3k	SIL 9	ANY
S	1	55-15-2028		PUSH-BUTTON, SPST	ANY
TP	1	54-02-3320		TEST-POINT	ANY
TP	2	54-02-3320		TEST-POINT	ANY
TP	3	54-02-3320		TEST-POINT	ANY
TP	4	54-02-3320		TEST-POINT	ANY
TP	5	54-02-3320		TEST-POINT	ANY
TP	6	54-02-3320		TEST-POINT	ANY
TP	7	54-02-3320		TEST-POINT	ANY
TP	8	54-02-3320		TEST-POINT	ANY
TP	9	54-02-3320		TEST-POINT	ANY
XP	1	53-03-2342		CLAMP, 5x20	ANY
XP	2	53-03-2342		CLAMP, 5x20	ANY
XIC	1	53-03-2165		XIC DIL 20-PIN	ANY
XIC	2	53-03-2165		XIC DIL 20-PIN	ANY
XIC	3	53-03-2165		XIC DIL 20-PIN	ANY
XIC	4	53-03-2165		XIC DIL 8-PIN	ANY
XIC	5	53-03-2167		XIC DIL 14-PIN	ANY
XIC	6	53-03-2167		XIC DIL 16-PIN	ANY
XIC	7	53-03-2169		XIC DIL 24-PIN	ANY
XIC	8	53-03-2172		XIC DIL 40-PIN	ANY
XIC	9	53-03-2173		XIC DIL 28-PIN	ANY
XIC	10	53-03-2166		XIC DIL 8-PIN	ANY
XIC	11	53-03-2166		XIC DIL 8-PIN	ANY
XIC	12	53-03-2167		XIC DIL 14-PIN	ANY
XIC	13	53-03-2166		XIC DIL 8-PIN	ANY
XIC	14	53-03-2166		XIC DIL 14-PIN	ANY
XIC	15	53-03-2173		XIC DIL 28-PIN	ANY
XIC	16	53-03-2167		XIC DIL 14-PIN	ANY
XIC	17	53-03-2167		XIC DIL 14-PIN	ANY
XIC	18	53-03-2166		XIC DIL 14-PIN	ANY
XIC	19	53-03-2173		XIC DIL 28-PIN	ANY
XIC	20	53-03-2166		XIC DIL 14-PIN	ANY
S T U D E R (00) 86/10/17 5h SYSTEM CONTROLLER 1.861.763-20 PAGE 7					



① 250685	Rn	① 011085	ut	① 31.01.86	Zc	① ..	① ..
STUDER				SYSTEM CONTROLLER		PAGE 2 OF 2	
				1.861.763.00			

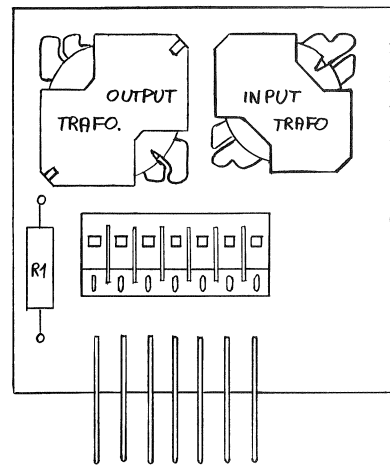
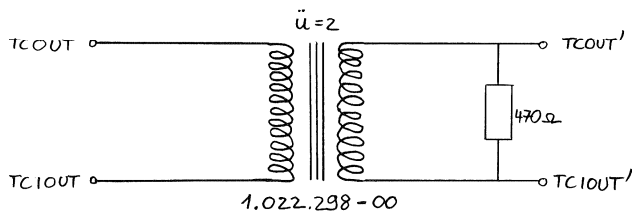
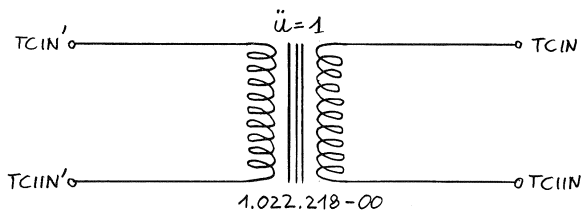


① 250985	DSe	① ..	① ..	① ..	① ..	① ..	
STUDER				SYSTEM BLOCK DIAGRAM		PAGE 1 OF 1	
				1.861.763.00			

TC TRANSFORMER

1.861.772.00

PAGE 1



① 240486	O.C.	○ . .	○ . .	○ . .	○ . .
		D820X			PAGE 1 OF 1
STUDER		TC TRANSFORMER			SC 1.861.772.00

TC TRANSFORMER

1.861.772.00

PAGE 2 (LAST)

IND.	POS.NO.	PART NO.	VALUE	SPECIFICATIONS / EQUIVALENT	MANUF.
J..0001		54.01.0218		CONNECTOR CIS 7-PIN	ANY
MP.0001		1.861.772.11		PCB	St
P..0002		54.01.0427		CIS CONNECTOR-PINS, L=13.6mm	ANY
R..0001		57.11.4471	470	10K	ANY
T..0001		1.022.219.00		INPUT TRANSFORMER	St
T..0002		1.022.298.00		OUTPUT TRANSFORMER	St

REMARKS:

MANUFACTURERS:
St = STUDER /

ABBREVIATIONS:
CER = CERAMIC / FILM = FILM TYPE / XF = CLAMP FOR FUSES /
XIC = IC SOCKET

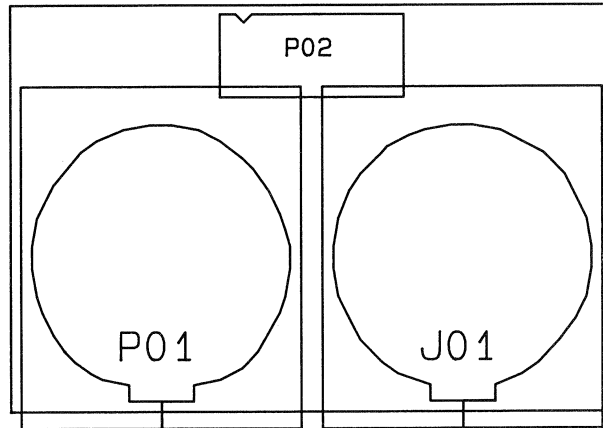
ORIG 86/02/12

S T U D E R (00) 86/02/12 Sn TC TRANSFORMER 1.861.772.00 PAGE 1

CONNECTORFIELD EURO

1.861.773.00

PAGE 1 (LAST)



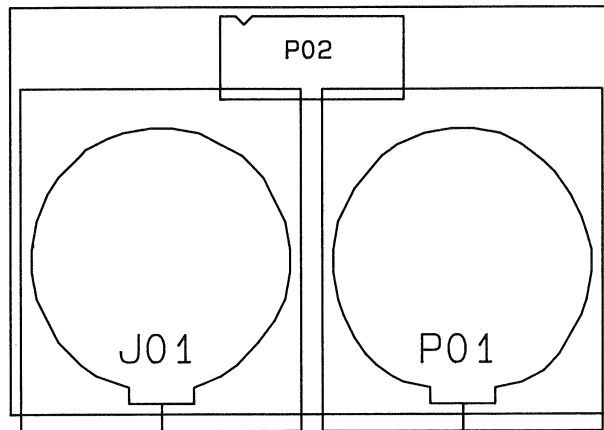
IND.	POS. NO.	PART NO.	VALUE	SPECIFICATIONS / EQUIVALENT	MANUF.
J..0001		54.21.2002		XLR FEMALE	ITT
J..0002		54.01.0263		CONNECTOR C.I.S 7-PIN	ANY
MP.0001	1.861.773.11			PCB (EUROPE)	St
MP.0002	20.21.7102			PHILIPS SCREW D2x2 4x5	ANY
MP.0003	20.21.7102			PHILIPS SCREW D2x2 4x5	ANY
P..0001		54.21.2001		XLR MALE	ITT

REMARKS:

MANUFACTURERS:
St = STUDER
ITT = ITT CANNON

ORIG 85/07/23

S T U D E R (00) 85/07/23 EM CONNECTOR FIELD EURO 1.861.773.00 PAGE 1

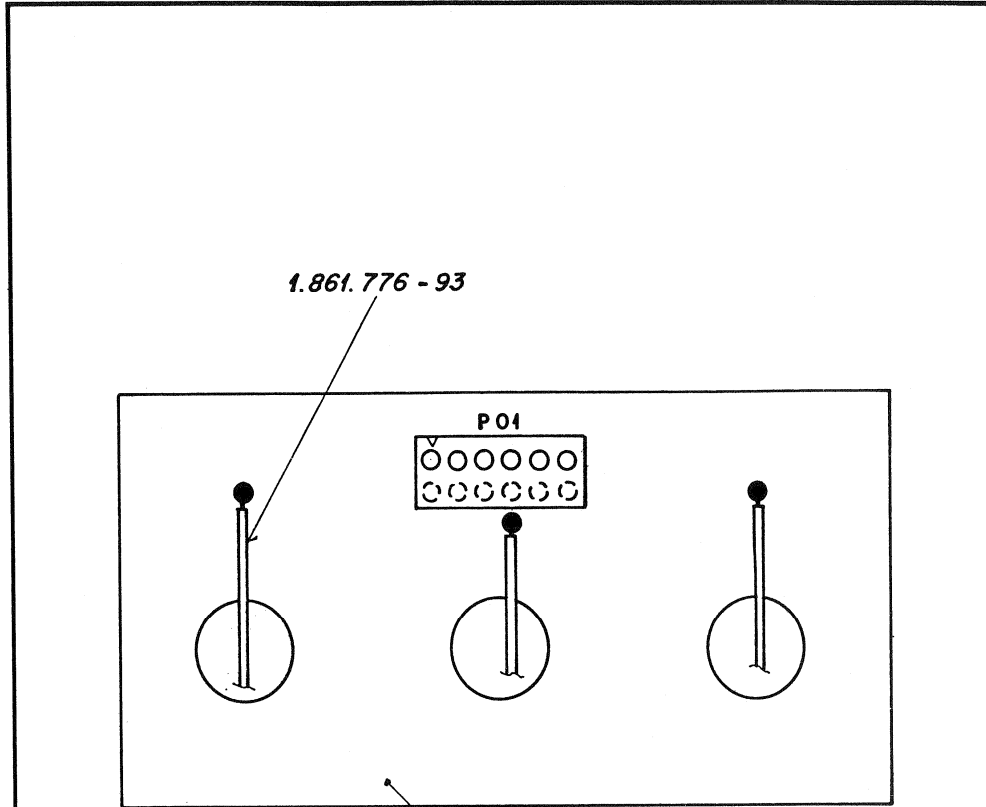


IND.	POS.NO.	PART NO.	VALUE	SPECIFICATIONS / EQUIVALENT	MANUF.
J..0001		54.21.2002		XLR FEMALE	ITT
J..0002		54.01.0263		CONNECTOR CIS 7-PIN	ANY
MP.0001		1.861.775.11		PCB (USA)	SE
MP.0002		20.21.7102		PHILIPS SCREW D2.2 #4.5	ANY
MP.0003		20.21.7102		PHILIPS SCREW D2.2 #4.5	ANY
P..0001		54.21.2001		XLR MALE	ITT

REMARKS:

MANUFACTURERS:
 SE = STUDER
 ITT = ITT CANNON

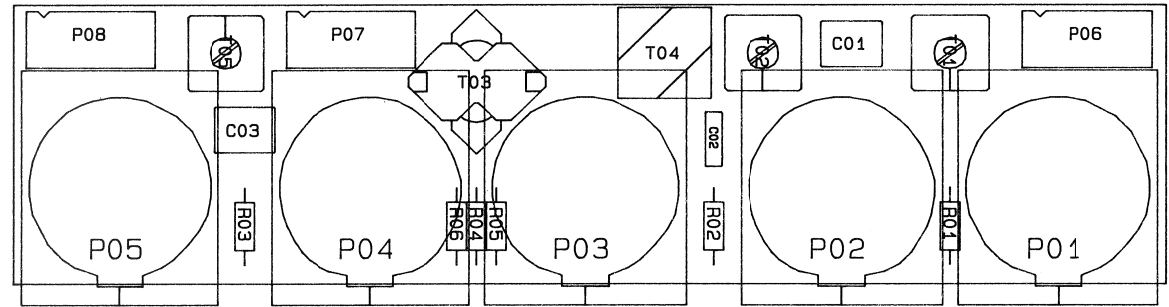
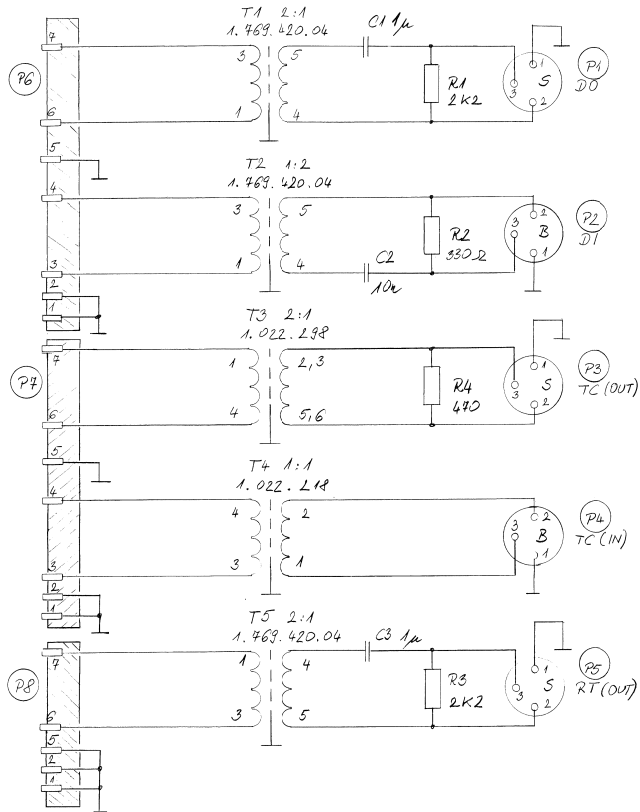
ORIG 85/07/73



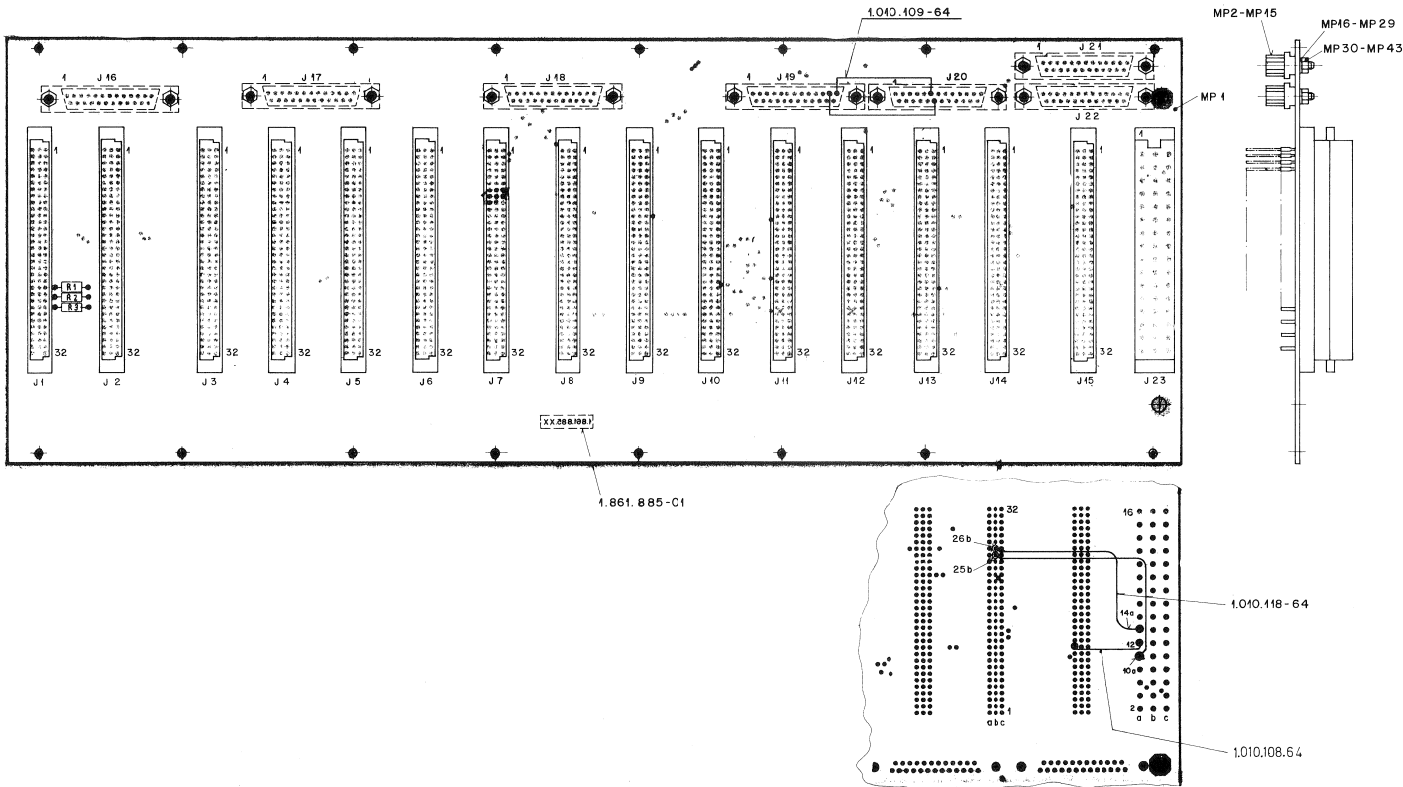
Werkstoff	Norm-Nr.:	Oberfläche	Güte:						③	
	DIN-Bez.:		Beh.:							②
	Abmessung:									①
Zugehörige Unterlagen:		Freimasstoleranz:	Maßstab:	Ausgabe	8.07.85				④	
<i>Li-L</i>		±	<i>2:1</i>	Datum		Gez.	Gepr.	Ges.	Index	
Ersatz für:		Ersetzt durch:		Kopie für: Konstruktionsbüro						
STUDER REGENSDORF ZÜRICH		Benennung: BNC INTERCONNECTION		13. JULI 1985 Nummer: 1.861.776 -00						

P6, P7, P8 = 54.01.0163
Durchsteck Buchsenleiste

P1, P3, P5 = 54.21.2001 Shassis-KLR
P2, P4 = 54.21.2002 Shassis-KLR



① 21.4.86 FAR	○ ..	○ ..	○ ..	○ ..
STUDER	CONNECTORFIELD TRAFU USA			PAGE OF 1.861.777-00



IND.	POS.NC.	PART NO.	VALUE	SPECIFICATIONS / EQUIVALENT	MANUF.
J****1		94.11.4103		CONNECTOR 96-PIN ACTION PIN	AMP
J****2		94.11.4103		CONNECTOR 96-PIN ACTION PIN	AMP
J****3		94.11.4103		CONNECTOR 96-PIN ACTION PIN	AMP
J****4		94.11.4103		CONNECTOR 96-PIN ACTION PIN	AMP
J****5		94.11.4103		CONNECTOR 96-PIN ACTION PIN	AMP
J****6		94.11.4103		CONNECTOR 96-PIN ACTION PIN	AMP
J****7		94.11.4103		CONNECTOR 96-PIN ACTION PIN	AMP
J****8		94.11.4103		CONNECTOR 96-PIN ACTION PIN	AMP
J****9		94.11.4103		CONNECTOR 96-PIN ACTION PIN	AMP
J****10		94.11.4103		CONNECTOR 96-PIN ACTION PIN	AMP
J****11		94.11.4103		CONNECTOR 96-PIN ACTION PIN	AMP
J****12		94.11.4103		CONNECTOR 96-PIN ACTION PIN	AMP
J****13		94.11.4103		CONNECTOR 96-PIN ACTION PIN	AMP
J****14		94.11.4103		CONNECTOR 96-PIN ACTION PIN	AMP
J****15		94.11.4103		CONNECTOR 96-PIN ACTION PIN	AMP
J****16		94.13.0043		D-SUB 25-PIN ACTION PIN	AMP
J****17		94.13.0043		D-SUB 25-PIN ACTION PIN	AMP
J****18		94.13.0043		D-SUB 25-PIN ACTION PIN	AMP
J****19		94.13.0043		D-SUB 25-PIN ACTION PIN	AMP
J****20		94.13.0043		D-SUB 25-PIN ACTION PIN	AMP
J****21		94.13.0043		D-SUB 25-PIN ACTION PIN	AMP
J****22		94.13.0043		D-SUB 25-PIN ACTION PIN	AMP
J****23		94.11.2012		CONNECTOR 48-PIN ACTION PIN TYPE F	AMP
MP****1		1.861.885-11		PCR	SE
MP****2		1.010.032-54		STAND-OFF WITH THREADLOCKING TYPE	SE
MP****3		1.010.032-54		STAND-OFF WITH THREADLOCKING TYPE	SE
MP****4		1.010.032-54		STAND-OFF WITH THREADLOCKING TYPE	SE
MP****5		1.010.032-54		STAND-OFF WITH THREADLOCKING TYPE	SE
MP****6		1.010.032-54		STAND-OFF WITH THREADLOCKING TYPE	SE
MP****7		1.010.032-54		STAND-OFF WITH THREADLOCKING TYPE	SE
MP****8		1.010.032-54		STAND-OFF WITH THREADLOCKING TYPE	SE
MP****9		1.010.032-54		STAND-OFF WITH THREADLOCKING TYPE	SE
MP****10		1.010.032-54		STAND-OFF WITH THREADLOCKING TYPE	SE
MP****11		1.010.032-54		STAND-OFF WITH THREADLOCKING TYPE	SE
MP****12		1.010.032-54		STAND-OFF WITH THREADLOCKING TYPE	SE
MP****13		1.010.032-54		STAND-OFF WITH THREADLOCKING TYPE	SE

S T U D E R (00) 85/08/05 EM BACKPANEL BOX 1.861.885.00 PAGE 1

IND.	POS.NC.	PART NO.	VALUE	SPECIFICATIONS / EQUIVALENT	MANUF.
MP****14		1.010.032-54		STAND-OFF WITH THREADLOCKING TYPE	SE
MP****15		1.010.032-54		STAND-OFF WITH THREADLOCKING TYPE	SE
MP****16		24.16.1030		LOCK WASHER	ANY
MP****17		24.16.1030		LOCK WASHER	ANY
MP****18		24.16.1030		LOCK WASHER	ANY
MP****19		24.16.1030		LOCK WASHER	ANY
MP****20		24.16.1030		LOCK WASHER	ANY
MP****21		24.16.1030		LOCK WASHER	ANY
MP****22		24.16.1030		LOCK WASHER	ANY
MP****23		24.16.1030		LOCK WASHER	ANY
MP****24		24.16.1030		LOCK WASHER	ANY
MP****25		24.16.1030		LOCK WASHER	ANY
MP****26		24.16.1030		LOCK WASHER	ANY
MP****27		24.16.1030		LOCK WASHER	ANY
MP****28		24.16.1030		LOCK WASHER	ANY
MP****29		24.16.1030		LOCK WASHER	ANY
MP****30		22.01.8030		NUT M3	ANY
MP****31		22.01.8030		NUT M3	ANY
MP****32		22.01.8030		NUT M3	ANY
MP****33		22.01.8030		NUT M3	ANY
MP****34		22.01.8030		NUT M3	ANY
MP****35		22.01.8030		NUT M3	ANY
MP****36		22.01.8030		NUT M3	ANY
MP****37		22.01.8030		NUT M3	ANY
MP****38		22.01.8030		NUT M3	ANY
MP****39		22.01.8030		NUT M3	ANY
MP****40		22.01.8030		NUT M3	ANY
MP****41		22.01.8030		NUT M3	ANY
MP****42		22.01.8030		NUT M3	ANY
MP****43		22.01.8030		NUT M3	ANY
R****1		57.11.4151	150	ZOK	ANY
R****2		57.11.4151	150	ZOK	ANY
R****3		57.11.4151	150	ZOK	ANY

S T U D E R (00) 85/08/05 EM BACKPANEL BOX 1.861.885.00 PAGE 2

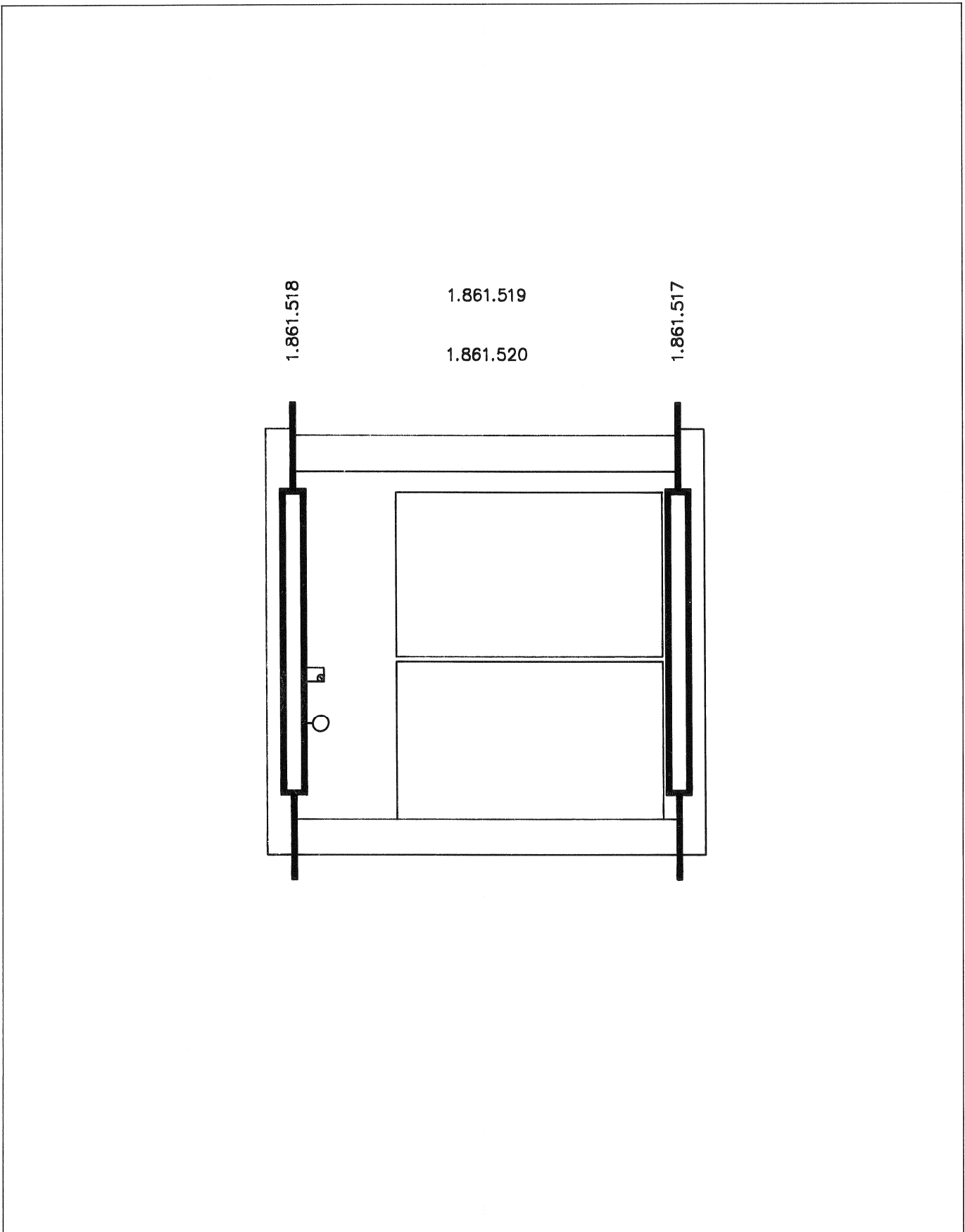
IND.	POS.NC.	PART NO.	VALUE	SPECIFICATIONS / EQUIVALENT	MANUF.
REMARKS:					
MANUFACTURERS:					
SE = STUDER					
AMP = AMP					
ABBREVIATIONS:					
ACT = ACTION PIN SYSTEM					

DIEG 85/08/05 S T U D E R (00) 85/08/05 EM BACKPANEL BOX 1.861.885.00 PAGE 3

4.1 ASSEMBLY**POWER SUPPLY BOX**

CONTENS	SCHEMATIC NO.	SECTION/PAGE
BOARD LOCATION		4/118
POWER SUPPLY BOX	1.861.515.00	4/119
HIGH VOLTAGE	1.861.517.00	4/121
SECONDARY CIRCUIT	1.861.518.00	4/123
MAINS FILTER	1.861.519.81	4/125
SECONDARY FILTER	1.861.520.00	4/127

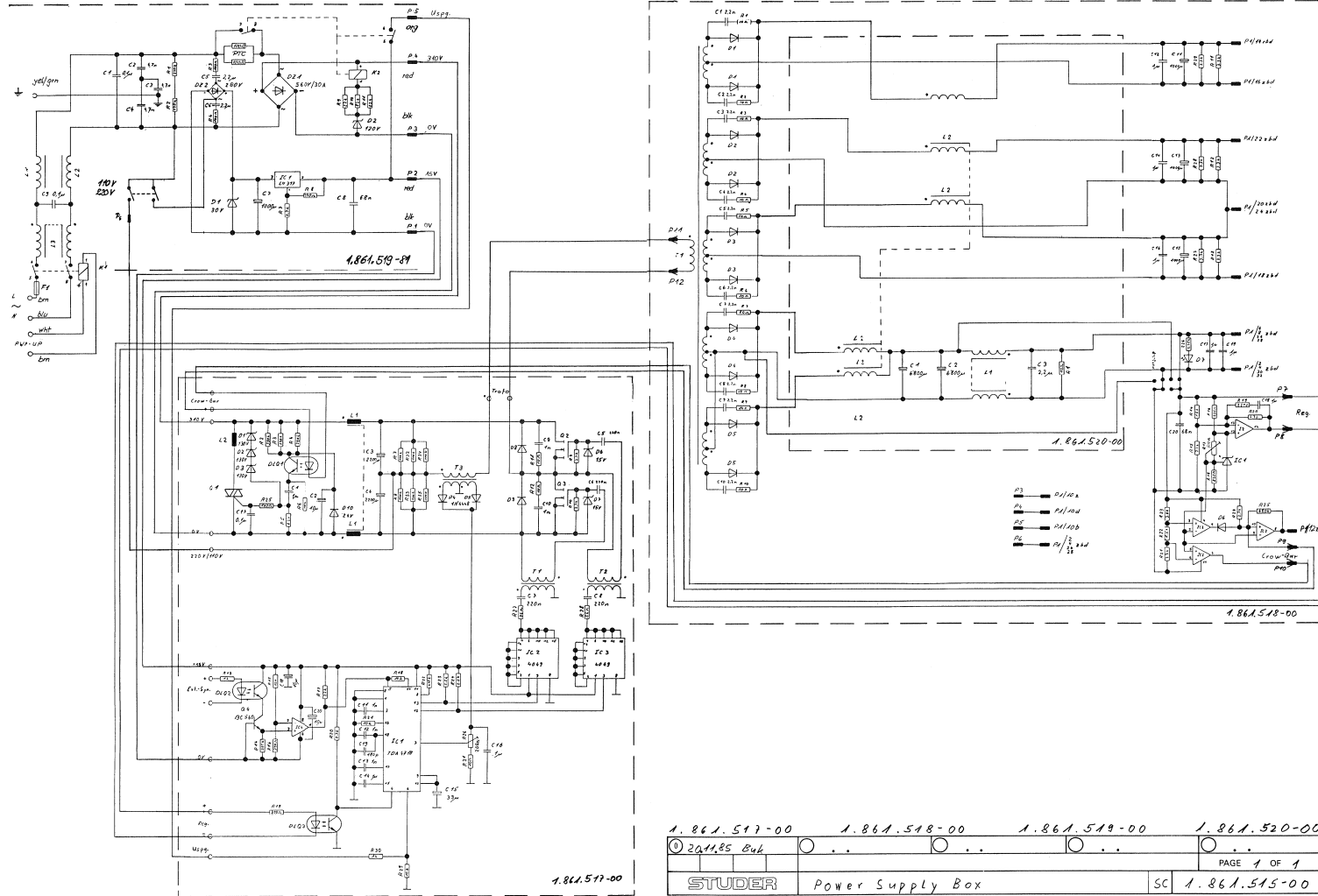
BOARD LOCATION



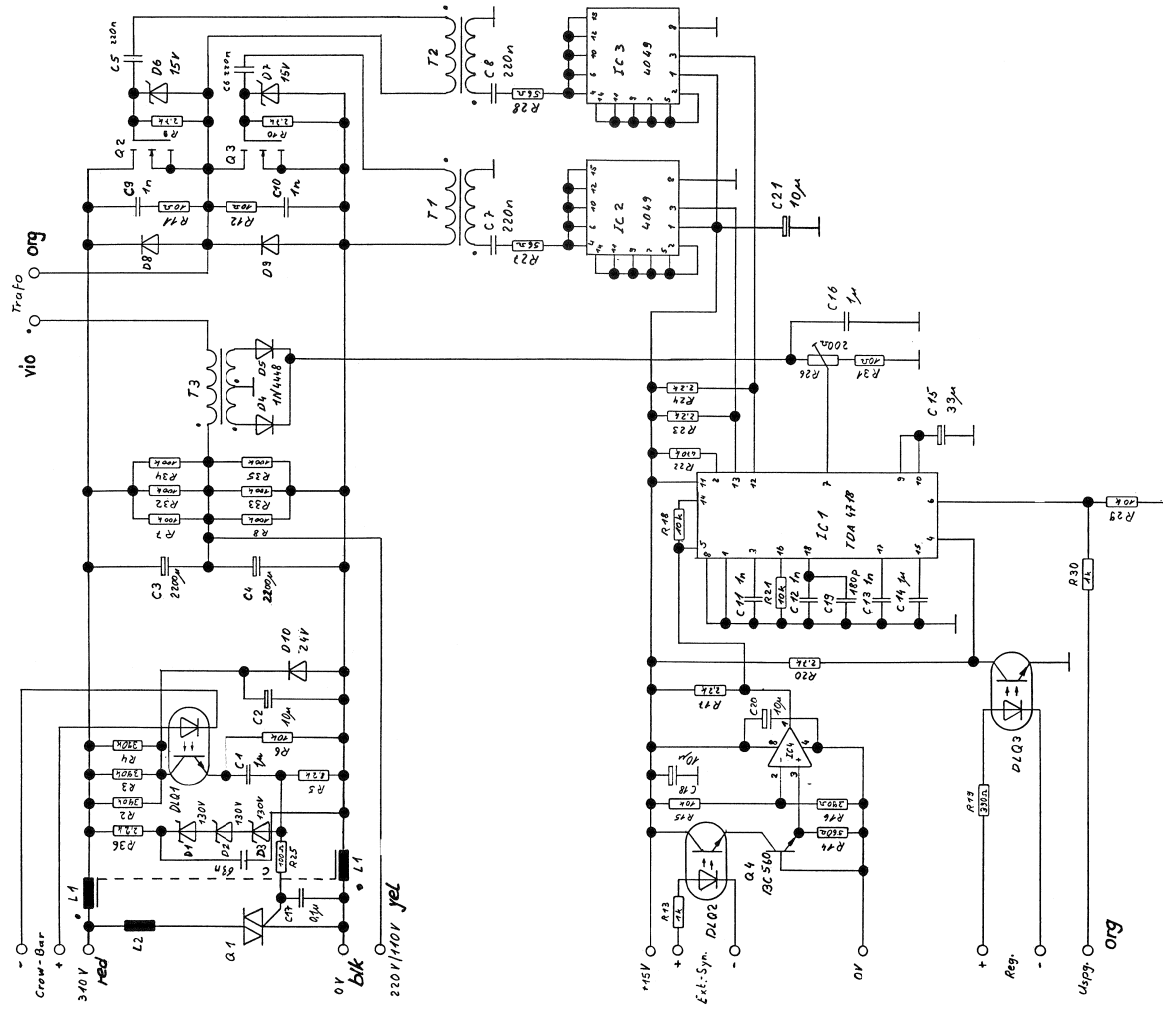
POWER SUPPLY BOX

1.861.515.00

PAGE 1 (LAST)



1.861.517-00	1.861.518-00	1.861.519-00	1.861.520-00
204485 B4L			
STUDER Power Supply Box			SC 1.861.515-00
PAGE 1 OF 1			



011.11.85 Bmk	PAGE 1 OF 1
STUDER	High Voltage				SC 1.861.517-00

IND.	POS-NO.	PART NO.	VALUE	SPECIFICATIONS / EQUIVALENT	MANUF.
C++0001	59.06.0105	1.0 u	50%, 50V		ANY
C++0002	59.22.8100	10 u	50%, 20X.50V, ELECTROLYTIC		ANY
C++0003	59.07.0003	2200 u	160V	ELECTROLYTIC	ANY
C++0004	59.07.0003	2200 u	160V	ELECTROLYTIC	ANY
C++0005	59.06.0224	0.22 u	10%, 50V		ANY
C++0006	59.06.0224	0.22 u	10%, 50V		ANY
C++0007	59.06.0224	0.22 u	10%, 50V		ANY
C++0008	59.06.0224	0.22 u	10%, 50V		ANY
C++0009	59.05.2102	1000 p	10%, 630V, FILM		ANY
C++0010	59.05.2102	1000 p	10%, 630V, FILM		ANY
C++0011	59.06.0102	1000 p	20%, 50V		ANY
C++0012	59.06.0102	1000 p	20%, 50V		ANY
C++0013	59.06.0102	1000 p	20%, 50V		ANY
C++0014	59.06.0102	1000 p	20%, 50V		ANY
C++0015	59.06.0105	1.0 u	20%, 50V		ANY
C++0016	59.26.1330	33 u	50%, 20X.10V, ELECTROLYTIC		ANY
C++0017	59.06.0105	1.0 u	20%, 50V		ANY
C++0018	59.06.0104	0.1 u	50%, 50V		ANY
C++0019	59.06.0104	0.1 u	50%, 50V		ANY
C++0020	59.34.6181	180 p	20%, 63V		ANY
C++0021	59.26.2100	10 u	50%, 20X.16V, ELECTROLYTIC		ANY
C++0022	59.26.2100	10 u	50%, 20X.16V, ELECTROLYTIC		ANY
D++0001	50.04.1510	130 V	5%, 5W		ANY
D++0002	50.04.1510	130 V	5%, 5W		ANY
D++0003	50.04.1510	130 V	5%, 5W		ANY
D++0004	50.04.1510	130 V	5%, 5W		ANY
D++0005	50.04.1510	130 V	5%, 5W		ANY
D++0006	50.04.1119	15 V	10%, 40W		ANY
D++0007	50.04.1119	15 V	10%, 40W		ANY
D++0008	50.04.0138		BYT 01-400, UF 400A		ANY
D++0009	50.04.0138		BYT 01-400, UF 400A		ANY
D++0010	50.04.1121	24V	BZX 83 C 24		ANY
DLQ001	50.04.2148		CNY 65		ANY
DLQ002	50.04.2148		CNY 65		ANY
DLQ003	50.04.2148		CNY 65		ANY

S T U D E R (00) 85/04/10 Sn HIGH VOLTAGE 1.861.517.00 PAGE 1

IND.	POS-NO.	PART NO.	VALUE	SPECIFICATIONS / EQUIVALENT	MANUF.
IC+0001	50.10.0111	TDA 4718A			PH
IC+0002	50.07.0049	4049			ANY
IC+0003	50.07.0049	4049			ANY
IC+0004	50.05.0283	LM393			ANY
L++0001	1.022.004.00			RF-CORE	SE
L++0002	1.022.279.00			DUMP RESISTOR	SE
MP+0001	1.861.517.11			PCB	SE
MP+0002	54.99.0178			KARTENFUEHRUNG LINKS	SE
MP+0003	54.99.0177			KARTENFUEHRUNG RECHTS	SE
Q++0001	50.99.0106	T 28009	400V, 8A	TRIAC	ANY
Q++0002	50.03.1504	18F 741		18F 740	18F
Q++0003	50.03.1504	18F 741		18F 740	18F
Q++0004	50.03.0496	BC 560			ANY
R++0002	57.11.4394	390 k	10%, ±25W		ANY
R++0003	57.11.4394	390 k	10%, ±25W		ANY
R++0004	57.11.4394	390 k	10%, ±25W		ANY
R++0005	57.11.4394	390 k	10%, ±25W		ANY
R++0006	57.11.4103	10 k	10%, ±25W		ANY
R++0007	57.11.4104	100 k	10%, ±25W		ANY
R++0008	57.11.4104	100 k	10%, ±25W		ANY
R++0009	57.11.4272	2.7 k	5%, ±25W		ANY
R++0010	57.11.4272	2.7 k	5%, ±25W		ANY
R++0011	57.11.4100	10	10%, ±25W		ANY
R++0012	57.11.4100	10	10%, ±25W		ANY
R++0013	57.11.4102	1 k	10%, ±25W		ANY
R++0014	57.11.4561	560	10%, ±25W		ANY
R++0015	57.11.4103	10 k	10%, ±25W		ANY
R++0016	57.11.4391	390	10%, ±25W		ANY
R++0017	57.11.4222	2.2 k	10%, ±25W		ANY
R++0018	57.11.4103	10 k	10%, ±25W		ANY
R++0019	57.11.4391	390	2%, ±25W		ANY
R++0020	57.11.4272	2.7 k	2%, ±25W		ANY
R++0021	57.11.4103	10 k	2%, ±25W		ANY

S T U D E R (00) 85/04/10 Sn HIGH VOLTAGE 1.861.517.00 PAGE 2

IND.	POS-NO.	PART NO.	VALUE	SPECIFICATIONS / EQUIVALENT	MANUF.
R++0022	57.11.4474	470 k	10%, ±25W		ANY
R++0023	57.11.4222	2.2 k	10%, ±25W		ANY
R++0024	57.11.4272	2.2 k	10%, ±25W		ANY
R++0025	57.11.4101	100	10%, ±25W		ANY
R++0026	58.01.0001	000	10%, ±25W		ANY
R++0027	57.11.4560	56	5%, ±25W		ANY
R++0028	57.11.4560	56	5%, ±25W		ANY
R++0029	57.11.4103	10 k	10%, ±25W		ANY
R++0030	57.11.4102	1 k	10%, ±25W		ANY
R++0031	57.11.4100	10	10%, ±25W		ANY
R++0032	57.11.4104	100 k	10%, ±25W		ANY
R++0033	57.11.4104	100 k	10%, ±25W		ANY
R++0034	57.11.4104	100 k	10%, ±25W		ANY
R++0035	57.11.4104	100 k	10%, ±25W		ANY
T++0001	1.022.270.00			PULSE-TRANSFORMER	SE
T++0002	1.022.270.00			PULSE-TRANSFORMER	SE
T++0003	1.022.280.00			CURRENT-TRANSFORMER	SE

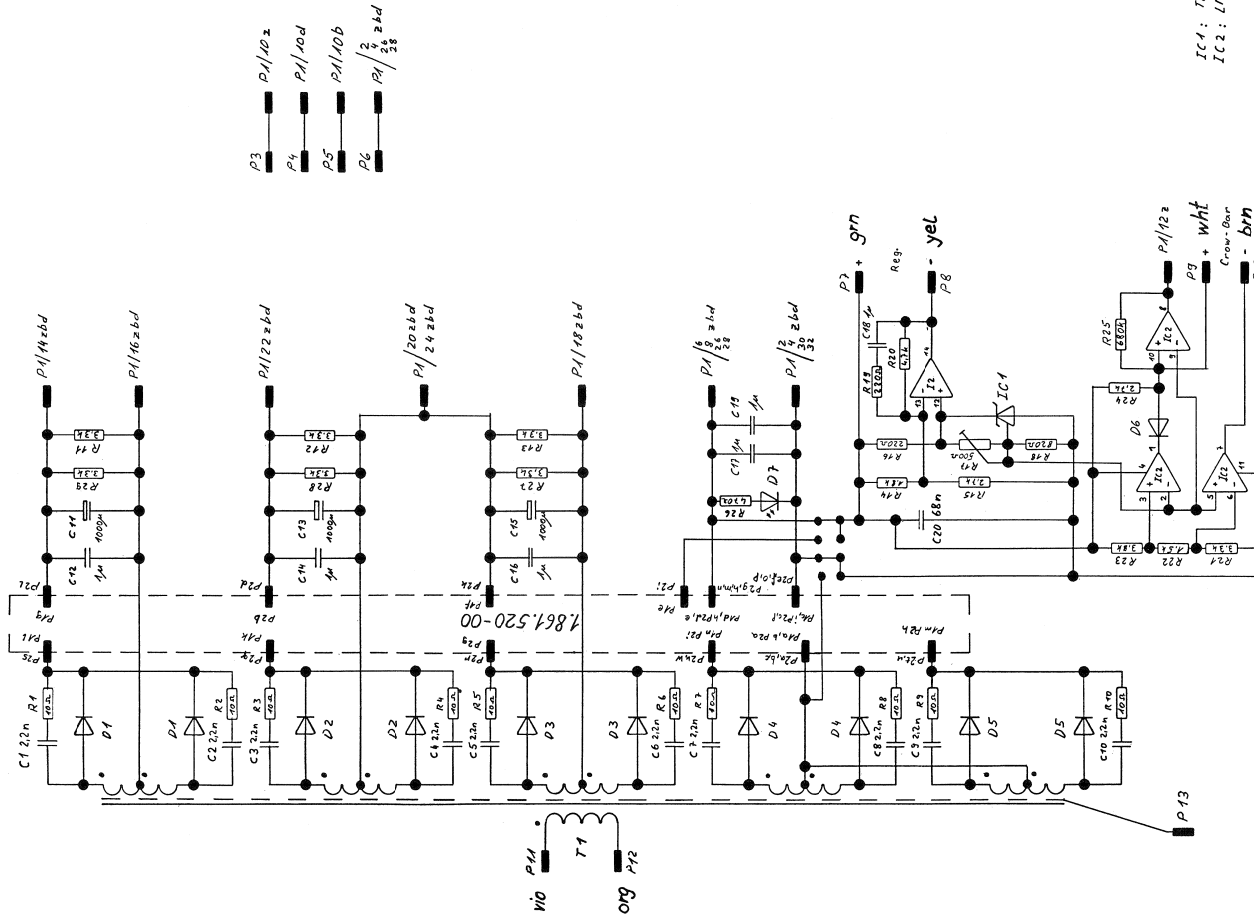
REMARKS:

MANUFACTURERS: SE = STUDER

ABBREVIATIONS:
CER = CERAMIC / FILM = FILM TYPE / XF = CLAMP FOR FUSES /
SIC = IC SOCKET

ORIG 85/04/10

S T U D E R (00) 85/04/10 Sn HIGH VOLTAGE 1.861.517.00 PAGE 3



1.861.520-00

20.11.85 Pak

STUDER

Secondary Circuit

PAGE 1 OF 1

SC 1.861.518-00

IND.	POS.N°	PART NO.	VALUE	SPECIFICATIONS / EQUIVALENT	MANUF.
A.0001		1.861.520.00		SECONDARY FILTER	St
C.0001		59.06.0222	2200 p	20%, 63V	ANY
C.0002		59.06.0222	2200 p	20%, 63V	ANY
C.0003		59.06.0222	2200 p	20%, 63V	ANY
C.0004		59.06.0222	2200 p	20%, 63V	ANY
C.0005		59.06.0222	2200 p	20%, 63V	ANY
C.0006		59.06.0222	2200 p	20%, 63V	ANY
C.0007		59.06.0222	2200 p	20%, 63V	ANY
C.0008		59.06.0222	2200 p	20%, 63V	ANY
C.0009		59.06.0222	2200 p	20%, 63V	ANY
C.0010		59.06.0222	2200 p	20%, 63V	ANY
C.0011		59.22.0102	1000 u	50%, 20%+0V	ANY
C.0012		59.06.0105	1.0 u	50%, 30V	ANY
C.0013		59.22.0102	1000 u	50%, 20%+0V	ANY
C.0014		59.06.0105	1.0 u	50%, 30V	ANY
C.0015		59.22.0102	1000 u	50%, 20%+0V	ANY
C.0016		59.06.0105	1.0 u	50%, 30V	ANY
C.0017		59.06.0105	1.0 u	50%, 30V	ANY
C.0018		59.06.0105	1.0 u	20%, 30V	ANY
C.0019		59.06.0105	1.0 u	20%, 30V	ANY
C.0020		59.06.0083	1000 u	20%, 63V	ANY
D.0001		50.04.0517		BYV 32-200	ANY
D.0002		50.04.0517		BYV 32-200	ANY
D.0003		50.04.0517		BYV 32-200	ANY
D.0004		50.04.0520		MFR 3045	ANY
D.0005		50.04.0520		MFR 3045	ANY
D.0006		50.04.0125		IN4449	ANY
D.0007		50.04.2109		MW 5025+ LED	ANY
IC.0001		50.10.0106		TL 431 CLP	ANY
IC.0002		50.05.0199		LM 324 N	NS
MP.0001		1.861.518.11		PCB	St
MP.0002		54.99.0178		KARTENFUERUNG LINKS	St
MP.0003		54.99.0177		KARTENFUERUNG RECHTS	St

S T U D E R (00) 85/04/10 Sh SECONDARY CIRCUIT 1.861.518.00 PAGE 1

IND.	POS.N°	PART NO.	VALUE	SPECIFICATIONS / EQUIVALENT	MANUF.
P.0001		54.11.0015		EURO CONNECTOR P. 1016	ANY
P.0002		54.09.0176		BASEKONTAKTSTREIFEN	St
P.0003		54.02.0320		P100	ANY
P.0004		54.02.0320		P100	ANY
P.0005		54.02.0320		P100	ANY
P.0006		54.02.0320		P100	ANY
P.0007		54.02.0320		P100	ANY
P.0008		54.02.0320		P100	ANY
P.0009		54.02.0320		P100	ANY
P.0010		54.02.0320		P100	ANY
P.0011		54.02.0320		P100	ANY
P.0012		54.02.0320		P100	ANY
R.0001		57.11.4100	10	10%, ±25%	ANY
R.0002		57.11.4100	10	10%, ±25%	ANY
R.0003		57.11.4100	10	10%, ±25%	ANY
R.0004		57.11.4100	10	10%, ±25%	ANY
R.0005		57.11.4100	10	10%, ±25%	ANY
R.0006		57.11.4100	10	10%, ±25%	ANY
R.0007		57.11.4100	10	10%, ±25%	ANY
R.0008		57.11.4100	10	10%, ±25%	ANY
R.0009		57.11.4100	10	10%, ±25%	ANY
R.0010		57.11.4100	10	10%, ±25%	ANY
R.0011		57.11.4100	10	10%, ±25%	ANY
R.0012		57.11.4100	10	10%, ±25%	ANY
R.0013		57.11.4100	10	10%, ±25%	ANY
R.0014		57.11.4100	10	10%, ±25%	ANY
R.0015		57.11.4100	10	10%, ±25%	ANY
R.0016		57.11.4100	10	10%, ±25%	ANY
R.0017		57.11.4100	10	10%, ±25%	ANY
R.0018		57.11.4100	10	10%, ±25%	ANY
R.0019		57.11.4100	10	10%, ±25%	ANY
R.0020		57.11.4100	10	10%, ±25%	ANY
R.0021		57.11.4100	10	10%, ±25%	ANY
R.0022		57.11.4100	10	10%, ±25%	ANY
R.0023		57.11.4100	10	10%, ±25%	ANY
R.0024		57.11.4100	10	10%, ±25%	ANY
R.0025		57.11.4100	10	10%, ±25%	ANY
R.0026		57.11.4100	10	10%, ±25%	ANY
R.0027		57.11.4100	10	10%, ±25%	ANY
R.0028		57.11.4100	10	10%, ±25%	ANY
R.0029		57.11.4100	10	10%, ±25%	ANY
R.0030		57.11.4100	10	10%, ±25%	ANY
R.0031		57.11.4100	10	10%, ±25%	ANY
R.0032		57.11.4100	10	10%, ±25%	ANY
R.0033		57.11.4100	10	10%, ±25%	ANY
R.0034		57.11.4100	10	10%, ±25%	ANY
R.0035		57.11.4100	10	10%, ±25%	ANY
R.0036		57.11.4100	10	10%, ±25%	ANY
R.0037		57.11.4100	10	10%, ±25%	ANY
R.0038		57.11.4100	10	10%, ±25%	ANY
R.0039		57.11.4100	10	10%, ±25%	ANY
R.0040		57.11.4100	10	10%, ±25%	ANY
R.0041		57.11.4100	10	10%, ±25%	ANY
R.0042		57.11.4100	10	10%, ±25%	ANY
R.0043		57.11.4100	10	10%, ±25%	ANY
R.0044		57.11.4100	10	10%, ±25%	ANY
R.0045		57.11.4100	10	10%, ±25%	ANY
R.0046		57.11.4100	10	10%, ±25%	ANY
R.0047		57.11.4100	10	10%, ±25%	ANY
R.0048		57.11.4100	10	10%, ±25%	ANY
R.0049		57.11.4100	10	10%, ±25%	ANY
R.0050		57.11.4100	10	10%, ±25%	ANY
R.0051		57.11.4100	10	10%, ±25%	ANY
R.0052		57.11.4100	10	10%, ±25%	ANY
R.0053		57.11.4100	10	10%, ±25%	ANY
R.0054		57.11.4100	10	10%, ±25%	ANY
R.0055		57.11.4100	10	10%, ±25%	ANY
R.0056		57.11.4100	10	10%, ±25%	ANY
R.0057		57.11.4100	10	10%, ±25%	ANY
R.0058		57.11.4100	10	10%, ±25%	ANY
R.0059		57.11.4100	10	10%, ±25%	ANY
R.0060		57.11.4100	10	10%, ±25%	ANY
R.0061		57.11.4100	10	10%, ±25%	ANY
R.0062		57.11.4100	10	10%, ±25%	ANY
R.0063		57.11.4100	10	10%, ±25%	ANY
R.0064		57.11.4100	10	10%, ±25%	ANY
R.0065		57.11.4100	10	10%, ±25%	ANY
R.0066		57.11.4100	10	10%, ±25%	ANY
R.0067		57.11.4100	10	10%, ±25%	ANY
R.0068		57.11.4100	10	10%, ±25%	ANY
R.0069		57.11.4100	10	10%, ±25%	ANY
R.0070		57.11.4100	10	10%, ±25%	ANY
R.0071		57.11.4100	10	10%, ±25%	ANY
R.0072		57.11.4100	10	10%, ±25%	ANY
R.0073		57.11.4100	10	10%, ±25%	ANY
R.0074		57.11.4100	10	10%, ±25%	ANY
R.0075		57.11.4100	10	10%, ±25%	ANY
R.0076		57.11.4100	10	10%, ±25%	ANY
R.0077		57.11.4100	10	10%, ±25%	ANY
R.0078		57.11.4100	10	10%, ±25%	ANY
R.0079		57.11.4100	10	10%, ±25%	ANY
R.0080		57.11.4100	10	10%, ±25%	ANY
R.0081		57.11.4100	10	10%, ±25%	ANY
R.0082		57.11.4100	10	10%, ±25%	ANY
R.0083		57.11.4100	10	10%, ±25%	ANY
R.0084		57.11.4100	10	10%, ±25%	ANY
R.0085		57.11.4100	10	10%, ±25%	ANY
R.0086		57.11.4100	10	10%, ±25%	ANY
R.0087		57.11.4100	10	10%, ±25%	ANY
R.0088		57.11.4100	10	10%, ±25%	ANY
R.0089		57.11.4100	10	10%, ±25%	ANY
R.0090		57.11.4100	10	10%, ±25%	ANY
R.0091		57.11.4100	10	10%, ±25%	ANY
R.0092		57.11.4100	10	10%, ±25%	ANY
R.0093		57.11.4100	10	10%, ±25%	ANY
R.0094		57.11.4100	10	10%, ±25%	ANY
R.0095		57.11.4100	10	10%, ±25%	ANY
R.0096		57.11.4100	10	10%, ±25%	ANY
R.0097		57.11.4100	10	10%, ±25%	ANY
R.0098		57.11.4100	10	10%, ±25%	ANY
R.0099		57.11.4100	10	10%, ±25%	ANY
R.0100		57.11.4100	10	10%, ±25%	ANY
R.0101		57.11.4100	10	10%, ±25%	ANY
R.0102		57.11.4100	10	10%, ±25%	ANY
R.0103		57.11.4100	10	10%, ±25%	ANY
R.0104		57.11.4100	10	10%, ±25%	ANY
R.0105		57.11.4100	10	10%, ±25%	ANY
R.0106		57.11.4100	10	10%, ±25%	ANY
R.0107		57.11.4100	10	10%, ±25%	ANY
R.0108		57.11.4100	10	10%, ±25%	ANY
R.0109		57.11.4100	10	10%, ±25%	ANY
R.0110		57.11.4100	10	10%, ±25%	ANY
R.0111		57.11.4100	10	10%, ±25%	ANY
R.0112		57.11.4100	10	10%, ±25%	ANY
R.0113		57.11.4100	10	10%, ±25%	ANY
R.0114		57.11.4100	10	10%, ±25%	ANY
R.0115		57.11.4100	10	10%, ±25%	ANY
R.0116		57.11.4100	10	10%, ±25%	ANY
R.0117		57.11.4100	10	10%, ±25%	ANY
R.0118		57.11.4100	10	10%, ±25%	ANY
R.0119		57.11.4100	10	10%, ±25%	ANY
R.0120		57.11.4100	10	10%, ±25%	ANY
R.0121		57.11.4100	10	10%, ±25%	ANY
R.0122		57.11.4100	10	10%, ±25%	ANY
R.0123		57.11.4100	10	10%, ±25%	ANY
R.0124		57.11.4100	10	10%, ±25%	ANY
R.0125		57.11.4100	10	10%, ±25%	ANY
R.0126		57.11.4100	10	10%, ±25%	ANY
R.0127		57.11.4100	10	10%, ±25%	ANY
R.0128		57.11.4100	10	10%, ±25%	ANY
R.0129		57.11.4100	10	10%, ±25%	ANY
R.0130		57.11.4100	10	10%, ±25%	ANY
R.0131		57.11.4100	10	10%, ±25%	ANY
R.0132		57.11.4100	10	10%, ±25%	ANY
R.0133		57.11.4100	10	10%, ±25%	ANY
R.0134		57.11.4100	10	10%, ±25%	ANY
R.0135		57.11.4100	10	10%, ±25%	ANY
R.0136					

IND.	POS.-NO.	PART NO.	VALUE	SPECIFICATIONS / EQUIVALENT	MANUF.
C..0001		59-14-0104	0.1 u	20% 250V	ANY
C..0002		59-14-0472	4700 p	20% 250V	ANY
C..0003		59-14-0472	4700 p	20% 250V	ANY
C..0004		59-14-0472	4700 p	20% 250V	ANY
C..0005		59-14-0472	2.2 u	20% 250V	ANY
C..0006		59-11-7225	2.2 u	20% 250V	ANY
C..0007		59-22-6102	1000	50% -20% 40V	ANY
C..0008		59-04-0083	0.04 u	20% 63V	ANY
C..0009		59-14-0104	0.1 u	20% 250V	ANY
O..0001		50-04-1506	30 V	5% 1.3W	ANY
O..0002		50-04-1505	120 V	5% 5W	ANY
02-0001		70-01-0740		560V / 30A	ANY
02-0002		70-01-0227		250V / 8A	ANY
IC-0001		50-10-0104		LM 317 SP	ANY
K..0001		56-04-0180		K 24V 2#A 250V 8 A	ANY
K..0002		56-04-0182		K 40V 2#A 250V 8 A	ANY
L..0001		62-03-0040	100 uH	5A	ANY
L..0002		62-03-0040	100 uH	5A	ANY
L..0003		62-03-0104	>1.8 uH	4A	ANY
MP-0001		1-861-519-12		PCB	ST
P..0001		54-02-0320		Plug	ANY
P..0002		54-02-0320		Plug	ANY
P..0003		54-02-0320		Plug	ANY
P..0004		54-02-0320		Plug	ANY
P..0005		54-02-0320		Plug	ANY
P..0006		54-02-0320		Plug	ANY
R..0001		57-11-4224	220 k	10% .25W	ANY
R..0002		57-11-4224	220 k	10% .25W	ANY
R..0003		57-11-4101	100	10% .25W	ANY

S T U D E R (00) 85/04/10 Sn MAINS FILTER 1.861.519.81 PAGE 1

IND.	POS.-NO.	PART NO.	VALUE	SPECIFICATIONS / EQUIVALENT	MANUF.
R..0004		57-11-4101	100	10% .25W	ANY
R..0005		57-92-2560	100	PTC	ANY
R..0006		57-92-2560	100	PTC	ANY
R..0007		57-11-4272	2.7 k	5% .25W	ANY
R..0008		57-11-4271	270	5% .25W	ANY
R..0009		57-11-4823	82 k	10% .25W	ANY
R..0010		57-11-4823	82 k	10% .25W	ANY
R..0011		57-11-4823	82 k	10% .25W	ANY

REMARKS:

MANUFACTURERS: St = STUDER

ABBREVIATIONS:
 CER = CERAMIC / FILM = FILM TYPE / XF = CLAMP FOR FUSES /
 XIC = IC SOCKET

ORIG 85/04/10

S T U D E R (00) 85/04/10 Sn MAINS FILTER 1.861.519.81 PAGE 2

SECONDARY FILTER 1.861.520.00 PAGE 2 (LAST)

IND.	POS.ND.	PART NO.	VALUE	SPECIFICATIONS / EQUIVALENT	MANUF.
C++0001	59+28+1682	6800 U	50%+20%+10V	ANY	
C++0002	59+28+1682	6800 U	50%+20%+10V	ANY	
C++0003	59+02+0225	2x2 U	5%+5%+63V	ANY	
L++0001	1+022+278+00		DC COMPENSATED CHOKE	SL	
L++0002	1+022+277+00		THIN CHOKE	SL	
MP+0001	1+861+920+11		PCB	SL	
P++0001	54+99+0175		MODULKONTAKTSTREIFEN HOCH	SL	
P++0002	54+99+0174		MODULKONTAKTSTREIFEN NIEDRIG	SL	
R++0001	57+56+5100	10 Ohm	10%+4 W	ANY	

REMARKS:

MANUFACTURERS: SL = STUDER

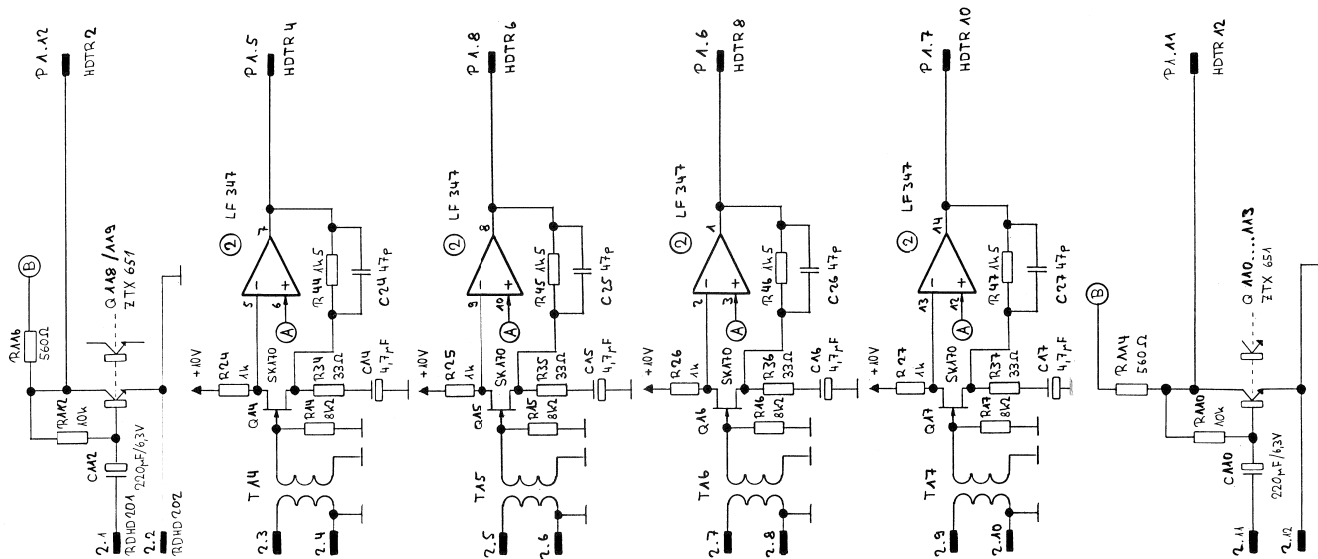
ABBREVIATIONS:
 CER = CERAMIC / FILM = FILM TYPE / XF = CLAMP FOR FUSES /
 XIC = IC SOCKET

ORIG 85/04/10

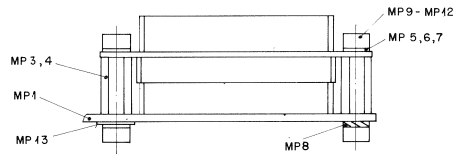
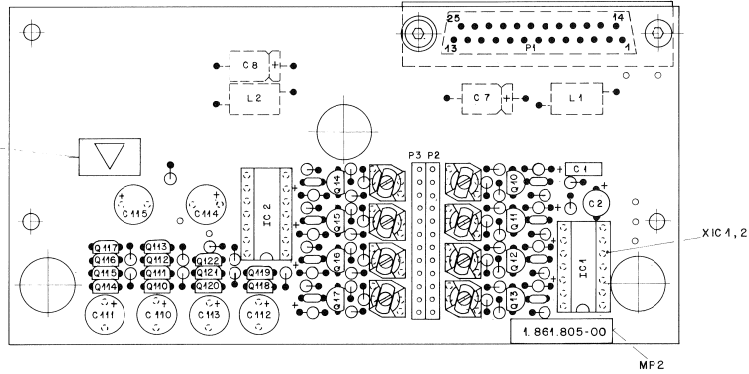
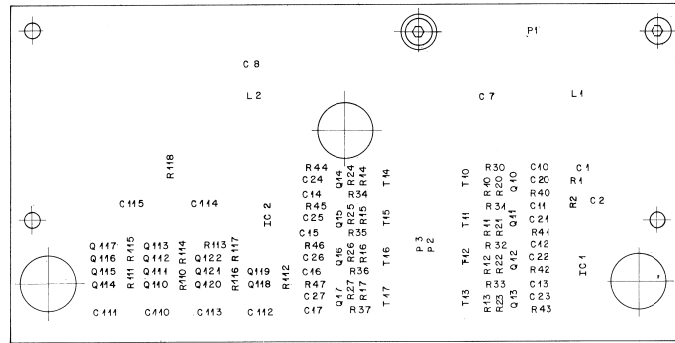
S T U D E R (00) 85/04/10 Sh SECONDARY FILTER 1.861.520.00 PAGE 1

5. ASSEMBLY 5**HEADBLOCKS**

CONTENS	SCHEMATIC NO.	SECTION/PAGE
BOARD LOCATION		5/2
HEAD PREAMPLIFIER	1.861.805.00	5/3



0 24.11.86 R. Pfeifer
D 820 X		PAGE 2	OF 2
STUDER		HEAD PREAMPLIFIER	
		1.861.805.00	



Avantage	Avantage	Avantage	Avantage	Avantage	Avantage
29.10.86	A Ho				
Datum	Gez	Gepr	Geis	Index	
Kopie für					
Z. NOV 1986					
1.861.805-00					

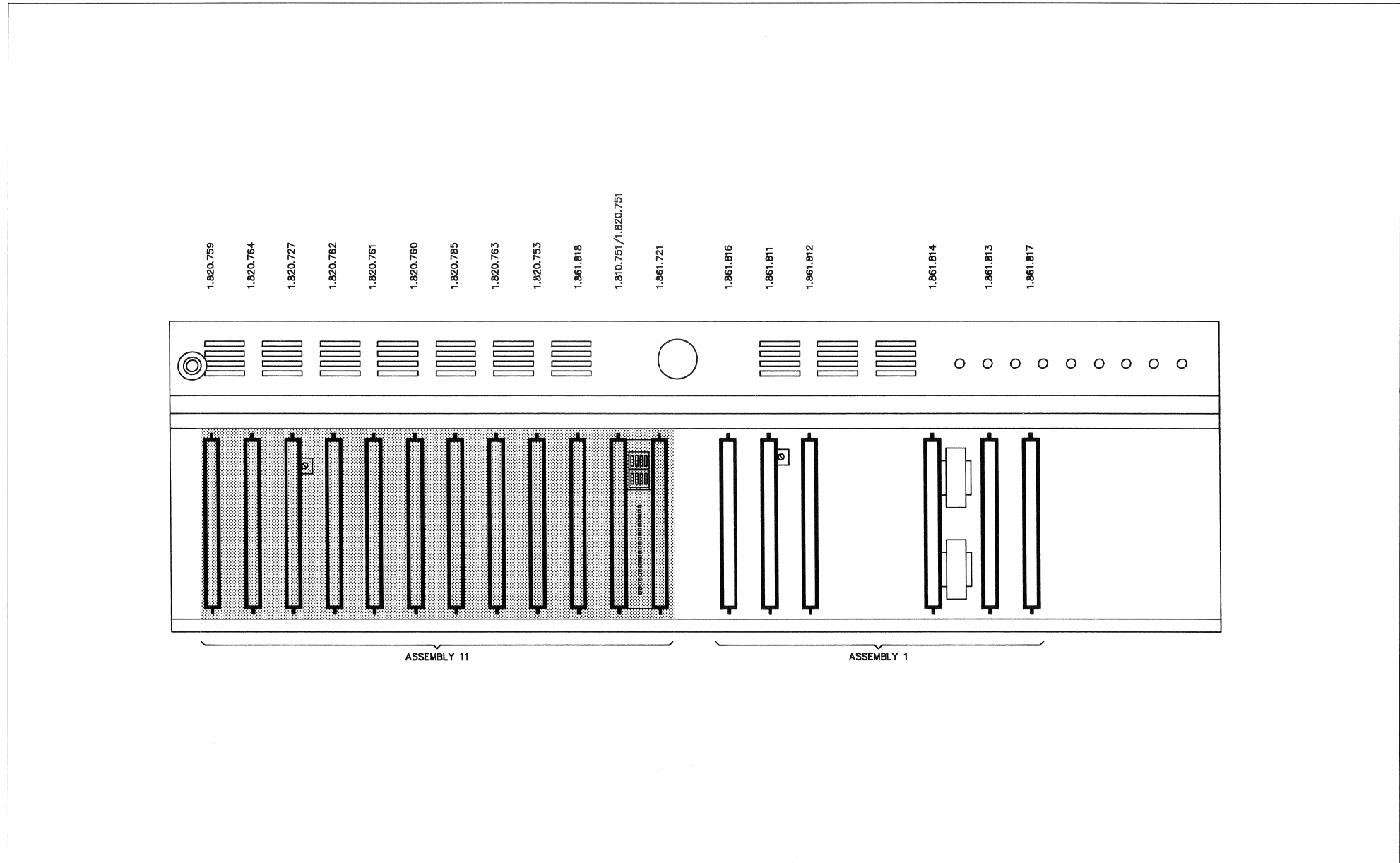
IND.	POS.-NO.	PART NO.	VALUE	SPECIFICATIONS / EQUIVALENT	MANUF.	IND.	POS.-NO.	PART NO.	VALUE	SPECIFICATIONS / EQUIVALENT	MANUF.
		59-32-3109	160m	20K CERAMIC	ANY	(01)	R...17	97-11-4822	8+2k	2K	ANY
		59-32-4020	20u	50K ELECTROLYTIC	ANY		R...20	97-11-1022	1k	5K	ANY
		59-32-4070	47u	50K ELECTROLYTIC	ANY		R...21	97-11-1022	1k	5K	ANY
		59-32-4070	47u	50K ELECTROLYTIC	ANY		R...22	97-11-1022	1k	5K	ANY
		59-30-4479	47u	50K ELECTROLYTIC	ANY		R...23	97-11-1022	1k	5K	ANY
		59-30-4479	47u	50K ELECTROLYTIC	ANY		R...24	97-11-1022	1k	5K	ANY
		59-30-4479	47u	50K ELECTROLYTIC	ANY		R...25	97-11-1022	1k	5K	ANY
		59-30-4479	47u	50K ELECTROLYTIC	ANY		R...26	97-11-1022	1k	5K	ANY
		59-30-4479	47u	50K ELECTROLYTIC	ANY		R...27	97-11-1022	1k	5K	ANY
		59-30-4479	47u	50K ELECTROLYTIC	ANY		R...28	97-11-1022	1k	5K	ANY
		59-30-4479	47u	50K ELECTROLYTIC	ANY		R...29	97-11-1022	1k	5K	ANY
		59-30-4479	47u	50K ELECTROLYTIC	ANY		R...30	97-11-1022	1k	5K	ANY
		59-30-4479	47u	50K ELECTROLYTIC	ANY		R...31	97-11-1022	1k	5K	ANY
		59-30-4479	47u	50K ELECTROLYTIC	ANY		R...32	97-11-1022	1k	5K	ANY
		59-30-4479	47u	50K ELECTROLYTIC	ANY		R...33	97-11-1022	1k	5K	ANY
		59-30-4479	47u	50K ELECTROLYTIC	ANY		R...34	97-11-1022	1k	5K	ANY
		59-30-4479	47u	50K ELECTROLYTIC	ANY		R...35	97-11-1022	1k	5K	ANY
		59-30-4479	47u	50K ELECTROLYTIC	ANY		R...36	97-11-1022	1k	5K	ANY
		59-30-4479	47u	50K ELECTROLYTIC	ANY		R...37	97-11-1022	1k	5K	ANY
		59-30-4479	47u	50K ELECTROLYTIC	ANY		R...38	97-11-1022	1k	5K	ANY
		59-30-4479	47u	50K ELECTROLYTIC	ANY		R...39	97-11-1022	1k	5K	ANY
		59-30-4479	47u	50K ELECTROLYTIC	ANY		R...40	97-11-1022	1k	5K	ANY
		59-30-4479	47u	50K ELECTROLYTIC	ANY		R...41	97-11-1022	1k	5K	ANY
		59-30-4479	47u	50K ELECTROLYTIC	ANY		R...42	97-11-1022	1k	5K	ANY
		59-30-4479	47u	50K ELECTROLYTIC	ANY		R...43	97-11-1022	1k	5K	ANY
		59-30-4479	47u	50K ELECTROLYTIC	ANY		R...44	97-11-1022	1k	5K	ANY
		59-30-4479	47u	50K ELECTROLYTIC	ANY		R...45	97-11-1022	1k	5K	ANY
		59-30-4479	47u	50K ELECTROLYTIC	ANY		R...46	97-11-1022	1k	5K	ANY
		59-30-4479	47u	50K ELECTROLYTIC	ANY		R...47	97-11-1022	1k	5K	ANY
		59-30-4479	47u	50K ELECTROLYTIC	ANY		R...48	97-11-1022	1k	5K	ANY
		59-30-4479	47u	50K ELECTROLYTIC	ANY		R...49	97-11-1022	1k	5K	ANY
		59-30-4479	47u	50K ELECTROLYTIC	ANY		R...50	97-11-1022	1k	5K	ANY
		59-30-4479	47u	50K ELECTROLYTIC	ANY		R...51	97-11-1022	1k	5K	ANY
		59-30-4479	47u	50K ELECTROLYTIC	ANY		R...52	97-11-1022	1k	5K	ANY
		59-30-4479	47u	50K ELECTROLYTIC	ANY		R...53	97-11-1022	1k	5K	ANY
		59-30-4479	47u	50K ELECTROLYTIC	ANY		R...54	97-11-1022	1k	5K	ANY
		59-30-4479	47u	50K ELECTROLYTIC	ANY		R...55	97-11-1022	1k	5K	ANY
		59-30-4479	47u	50K ELECTROLYTIC	ANY		R...56	97-11-1022	1k	5K	ANY
		59-30-4479	47u	50K ELECTROLYTIC	ANY		R...57	97-11-1022	1k	5K	ANY
		59-30-4479	47u	50K ELECTROLYTIC	ANY		R...58	97-11-1022	1k	5K	ANY
		59-30-4479	47u	50K ELECTROLYTIC	ANY		R...59	97-11-1022	1k	5K	ANY
		59-30-4479	47u	50K ELECTROLYTIC	ANY		R...60	97-11-1022	1k	5K	ANY
		59-30-4479	47u	50K ELECTROLYTIC	ANY		R...61	97-11-1022	1k	5K	ANY
		59-30-4479	47u	50K ELECTROLYTIC	ANY		R...62	97-11-1022	1k	5K	ANY
		59-30-4479	47u	50K ELECTROLYTIC	ANY		R...63	97-11-1022	1k	5K	ANY
		59-30-4479	47u	50K ELECTROLYTIC	ANY		R...64	97-11-1022	1k	5K	ANY
		59-30-4479	47u	50K ELECTROLYTIC	ANY		R...65	97-11-1022	1k	5K	ANY
		59-30-4479	47u	50K ELECTROLYTIC	ANY		R...66	97-11-1022	1k	5K	ANY
		59-30-4479	47u	50K ELECTROLYTIC	ANY		R...67	97-11-1022	1k	5K	ANY
		59-30-4479	47u	50K ELECTROLYTIC	ANY		R...68	97-11-1022	1k	5K	ANY
		59-30-4479	47u	50K ELECTROLYTIC	ANY		R...69	97-11-1022	1k	5K	ANY
		59-30-4479	47u	50K ELECTROLYTIC	ANY		R...70	97-11-1022	1k	5K	ANY
		59-30-4479	47u	50K ELECTROLYTIC	ANY		R...71	97-11-1022	1k	5K	ANY
		59-30-4479	47u	50K ELECTROLYTIC	ANY		R...72	97-11-1022	1k	5K	ANY
		59-30-4479	47u	50K ELECTROLYTIC	ANY		R...73	97-11-1022	1k	5K	ANY
		59-30-4479	47u	50K ELECTROLYTIC	ANY		R...74	97-11-1022	1k	5K	ANY
		59-30-4479	47u	50K ELECTROLYTIC	ANY		R...75	97-11-1022	1k	5K	ANY
		59-30-4479	47u	50K ELECTROLYTIC	ANY		R...76	97-11-1022	1k	5K	ANY
		59-30-4479	47u	50K ELECTROLYTIC	ANY		R...77	97-11-1022	1k	5K	ANY
		59-30-4479	47u	50K ELECTROLYTIC	ANY		R...78	97-11-1022	1k	5K	ANY
		59-30-4479	47u	50K ELECTROLYTIC	ANY		R...79	97-11-1022	1k	5K	ANY
		59-30-4479	47u	50K ELECTROLYTIC	ANY		R...80	97-11-1022	1k	5K	ANY
		59-30-4479	47u	50K ELECTROLYTIC	ANY		R...81	97-11-1022	1k	5K	ANY
		59-30-4479	47u	50K ELECTROLYTIC	ANY		R...82	97-11-1022	1k	5K	ANY
		59-30-4479	47u	50K ELECTROLYTIC	ANY		R...83	97-11-1022	1k	5K	ANY
		59-30-4479	47u	50K ELECTROLYTIC	ANY		R...84	97-11-1022	1k	5K	ANY
		59-30-4479	47u	50K ELECTROLYTIC	ANY		R...85	97-11-1022	1k	5K	ANY
		59-30-4479	47u	50K ELECTROLYTIC	ANY		R...86	97-11-1022	1k	5K	ANY
		59-30-4479	47u	50K ELECTROLYTIC	ANY		R...87	97-11-1022	1k	5K	ANY
		59-30-4479	47u	50K ELECTROLYTIC	ANY		R...88	97-11-1022	1k	5K	ANY
		59-30-4479	47u	50K ELECTROLYTIC	ANY		R...89	97-11-1022	1k	5K	ANY
		59-30-4479	47u	50K ELECTROLYTIC	ANY		R...90	97-11-1022	1k	5K	ANY
		59-30-4479	47u	50K ELECTROLYTIC	ANY		R...91	97-11-1022	1k	5K	ANY
		59-30-4479	47u	50K ELECTROLYTIC	ANY		R...92	97-11-1022	1k	5K	ANY
		59-30-4479	47u	50K ELECTROLYTIC	ANY		R...93	97-11-1022	1k	5K	ANY
		59-30-4479	47u	50K ELECTROLYTIC	ANY		R...94	97-11-1022	1k	5K	ANY
		59-30-4479	47u	50K ELECTROLYTIC	ANY		R...95	97-11-1022	1k	5K	ANY
		59-30-4479	47u	50K ELECTROLYTIC	ANY		R...96	97-11-1022	1k	5K	ANY
		59-30-4479	47u	50K ELECTROLYTIC	ANY		R...97	97-11-1022	1k	5K	ANY
		59-30-4479	47u	50K ELECTROLYTIC	ANY		R...98	97-11-1022	1k	5K	ANY
		59-30-4479	47u	50K ELECTROLYTIC	ANY		R...99	97-11-1022	1k	5K	ANY
		59-30-4479	47u	50K ELECTROLYTIC	ANY		R...100	97-11-1022	1k	5K	ANY
		59-30-4479	47u	50K ELECTROLYTIC	ANY		R...101	97-11-1022	1k	5K	ANY
		59-30-4479	47u	50K ELECTROLYTIC	ANY		R...102	97-11-1022	1k	5K	ANY
		59-30-4479	47u	50K ELECTROLYTIC	ANY		R...103	97-11-1022	1k	5K	ANY
		59-30-4479	47u	50K ELECTROLYTIC	ANY		R...104	97-11-1022	1k	5K	ANY
		59-30-4479	47u	50K ELECTROLYTIC	ANY		R...105	97-11-1022	1k	5K	ANY
		59-30-4479	47u	50K ELECTROLYTIC	ANY		R...106	97-11-1022	1k	5K	ANY
		59-30-4479	47u	50K ELECTROLYTIC	ANY		R...107	97-11-1022	1k	5K	ANY
		59-30-4479	47u	50K ELECTROLYTIC	ANY		R...108	97-11-1022	1k	5K	ANY
		59-30-4479	47u	50K ELECTROLYTIC	ANY		R...109	97-11-1022	1k	5K	ANY
		59-30-4479	47u	50K ELECTROLYTIC	ANY		R...110	97-11-1022	1k	5K	ANY
		59-30-4479	47u	50K ELECTROLYTIC	ANY		R...111	97-11-1022	1k	5K	ANY
		59-30-4479	47u	50K ELECTROLYTIC	ANY		R...112	97-11-1022	1k	5K	ANY
		59-30-4479	47u	50K ELECTROLYTIC	ANY		R...113	97-11-1022	1k	5K	ANY
		59-30-4479	47u	50K ELECTROLYTIC	ANY		R...114	97-11-1022	1k	5K	ANY
		59-30-4479	47u	50K ELECTROLYTIC	ANY		R...115	97-11-1022	1k	5K	ANY
		59-30-4479	47u	50K ELECTROLYTIC	ANY		R...116	97-11-1022	1k	5K	

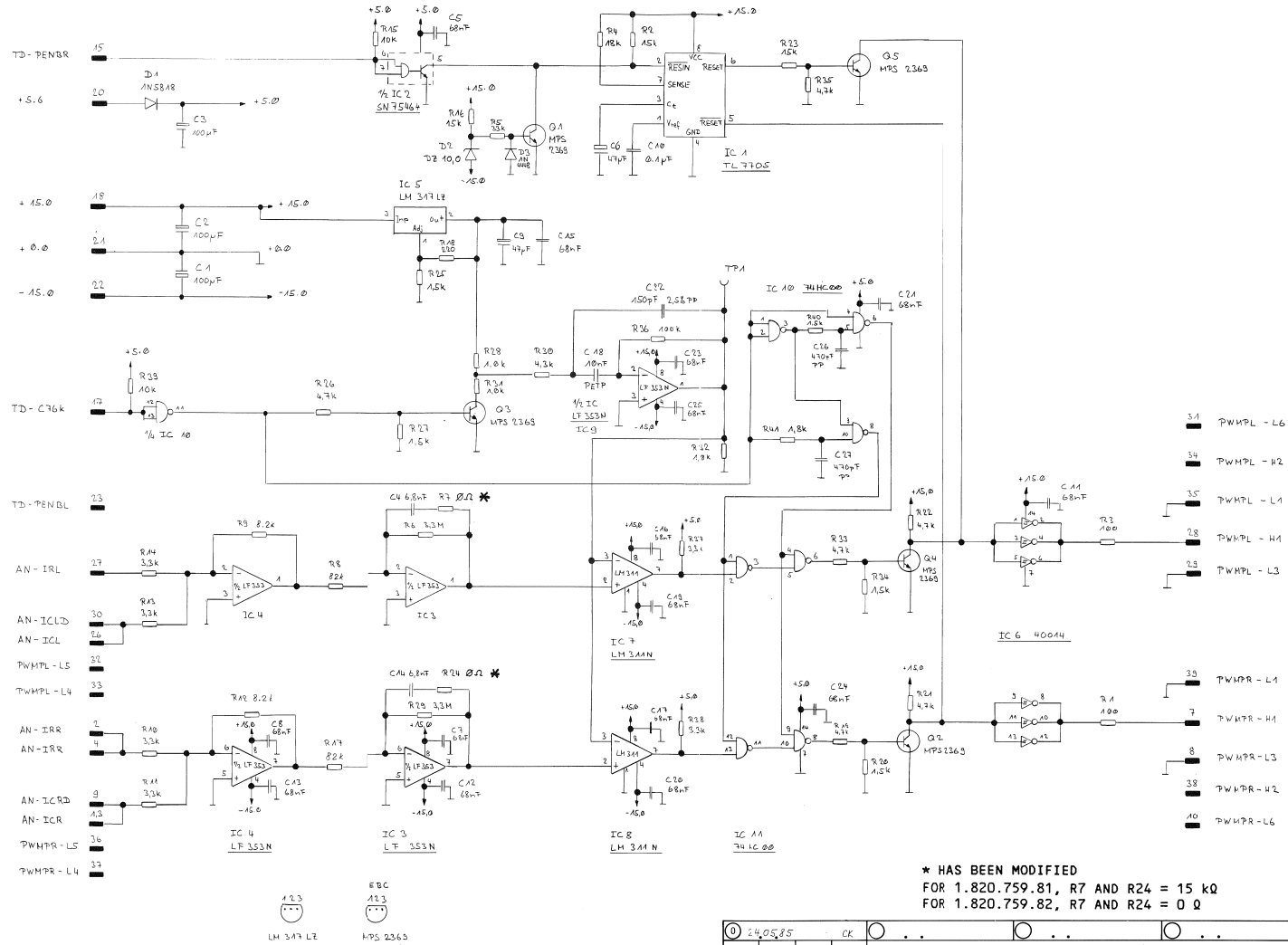
6. ASSEMBLY 11

TRANSPORT

CONTENS	SCHEMATIC NO.	SECTION/PAGE
BOARD LOCATION		6/2
SPOOLING MOTOR DRIVER	1.820.759.82	6/3
CAPSTAN CONTROL UNIT	1.820.764.00	6/5
CAPSTAN INTERFACE	1.820.727.00	6/7
TAPE DECK PHERIPHERY CONTR.	1.820.762.00	6/9
TAPE DECK COUNTER/TIMER	1.820.761.00	6/11
SPOOLING MOTOR CONTROLLER	1.820.760.00	6/13
MP-UNIT TD CONTROL	1.820.785.00	6/15
TAPE DECK SERIAL IF	1.820.763.81	6/17
MASTER SERIAL INTERFACE	1.820.753.00	6/19
MPU MASTER UNIT	1.861.818.00	6/21
SERIAL REMOTE CONTROLLER	1.810.751.82 (OPTIONAL)	6/23
SMPTE/EBU INTERFACE	1.820.751.00 (OPTIONAL)	6/25
MASTER SYSCON INTERFACE	1.861.721.00	6/27
BOARD LOCATION		6/29
PUSHBUTTON/DISPLAY BOARD	1.861.735.00	6/31
TACHO SENSOR ELECTRONICS	1.021.695.81	6/33
LCD DISPLAY UNIT	1.820.233.00	6/35
PUSHBUTTON ASSEMBLY	1.820.240.00	6/37
EDIT ASSEMBLY	1.820.250.00	6/41
POWER SUPPLY	1.820.510.00	6/43
BACKPANEL TAPE DECK	1.820.701.00	6/45
SERIAL REMOTE INTERFACE	1.820.729.00 (OPTIONAL)	6/47
PARALLEL REMOTE INTERFACE	1.820.738.00 (OPTIONAL)	6/49
FUSE/SUPPLY FAILURE DETECTOR	1.820.737.00	6/51
TAPE DECK DISPLAY DRIVER	1.820.768.81	6/53
MOVE SENSOR	1.820.770.00	6/55
TAPE TENSION SENSOR	1.820.772.00	6/57
TAPE LIFTER CONTROL	1.820.773.82	6/59
CAPSTAN MOTOR DRIVE AMP.	1.820.774.00	6/61
SPOOLING MOTOR DRIVE AMP.	1.820.775.81	6/63
SPOOLING MOTOR SUPPLY	1.820.777.00	6/65
SWITCHING STABILIZER	1.820.790.00	6/67
OPTO SENSOR	1.820.793.81	6/71

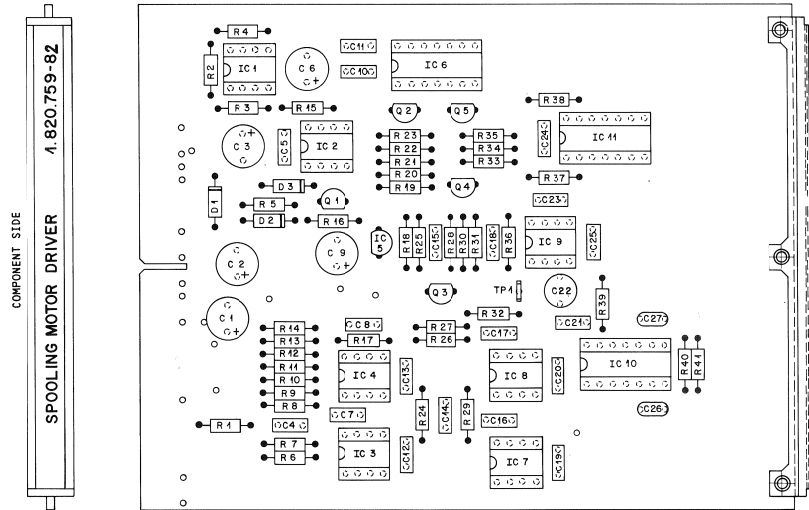
BOARD LOCATION





* HAS BEEN MODIFIED
 FOR 1.820.759.81, R7 AND R24 = 15 kΩ
 FOR 1.820.759.82, R7 AND R24 = 0 Ω

0	14.05.85	CK				
A 820 Tape Transport Section						PAGE 1 OF 1
STUDER Spooling Motor Driver						SC 1.820.759.82



COMPONENT SIDE
SPOOLING MOTOR DRIVER
1.820.759-82

IND.	POS.ND.	PART NO.	VALUE	SPECIFICATIONS / EQUIVALENT	MANUF.
C.....1	59-22-5101	100 uF	25V		
C.....2	59-22-5101	100 uF	25V		
C.....3	59-22-5101	100 uF	25V		
C.....4	59-06-0682	6.8 nF	10%		
C.....5	59-06-0683	6.8 nF			
C.....6	59-22-5470	47 uF	25V		
C.....7	59-06-0683	6.8 nF			
C.....8	59-06-0683	6.8 nF			
C.....9	59-22-5470	47 uF	25V		
C.....10	59-06-0683	6.8 nF			
C.....11	59-06-0683	6.8 nF			
C.....12	59-06-0683	6.8 nF			
C.....13	59-06-0683	6.8 nF			
C.....14	59-06-0682	6.8 nF	10%		
C.....15	59-06-0683	6.8 nF			
C.....16	59-06-0683	6.8 nF			
C.....17	59-06-0683	6.8 nF			
C.....18	59-06-0103	10 nF			
C.....19	59-06-0683	6.8 nF			
C.....20	59-06-0683	6.8 nF			
C.....21	59-06-0683	6.8 nF			
C.....22	59-05-2151	150 pF	5%		
C.....23	59-06-0683	6.8 nF			
C.....24	59-06-0683	6.8 nF			
C.....25	59-06-0683	6.8 nF			
C.....26	59-34-5471	470 pF	5%		
C.....27	59-34-5471	470 pF	5%		
D.....1	50-04-0512	1N 5818	1N 5819		ITT Mot
D.....2	50-04-1114	10 V			ITT Mot
D.....3	50-26-0129	1N 4484			FC/ITT-PHS/STI
IC.....1	50-11-0122	TL 7705			TI
IC.....2	50-05-0204	SN 75460P	DS 75460 N		NS/TT
IC.....3	50-05-0101	TL 072 CP	LF 353 N		NS/TT
IC.....4	50-05-0101	TL 072 CP	LF 353 N		NS/TT
IC.....5	50-15-0108	LM 317 LT			Not Avail

S T U D E R (00) 85/08/05 CK SPOOLING MOTOR DRIVER 1.820.759.82 PAGE 1

IND.	POS.ND.	PART NO.	VALUE	SPECIFICATIONS / EQUIVALENT	MANUF.
IC.....6	50-07-0014	40014 BPC	MC14584 BPC		Mot-NS-PH-To
IC.....7	50-11-0114	LM 311 N	LM 311 P		Mot-NS
IC.....8	50-11-0114	LM 311 N	LM 311 P		Mot-NS
IC.....9	50-09-0101	TL 072 CP	LF 353 N		NS/TT
IC.....10	50-17-1000	74 HC 00			Mot-NS-PH-VCA+SGS+TI-To
IC.....11	50-17-1000	74 HC 00			Not Avail
U.....1	50-03-0508	MPS 2369			Mot
U.....2	50-03-0508	MPS 2369			Mot
U.....3	50-03-0508	MPS 2369			Mot
U.....4	50-03-0508	MPS 2369			Mot
U.....5	50-03-0508	MPS 2369			Mot
R.....1	57-11-4101	100 Ohm			
R.....2	57-11-4153	15 kOhm			
R.....3	57-11-4101	100 Ohm			
R.....4	57-11-4153	15 kOhm	5%		
R.....5	57-11-4153	3.3 kOhm	5%		
R.....6	57-11-4153	3.3 kOhm	5%		
R.....7	57-11-4153	3.3 kOhm	5%		
R.....8	57-11-4153	3.3 kOhm	5%		
R.....9	57-11-4153	3.3 kOhm	5%		
R.....10	57-11-4153	3.3 kOhm	5%		
R.....11	57-11-4153	3.3 kOhm	5%		
R.....12	57-11-4153	3.3 kOhm	5%		
R.....13	57-11-4153	3.3 kOhm	5%		
R.....14	57-11-4153	3.3 kOhm	5%		
R.....15	57-11-4103	10 kOhm	5%		
R.....16	57-11-4153	15 kOhm	5%		
R.....17	57-11-4153	15 kOhm	5%		
R.....18	57-11-4153	15 kOhm	5%		
R.....19	57-11-4153	15 kOhm	5%		
R.....20	57-11-4153	15 kOhm	5%		
R.....21	57-11-4153	15 kOhm	5%		
R.....22	57-11-4153	15 kOhm	5%		
R.....23	57-11-4153	15 kOhm	5%		
R.....24	57-11-4153	15 kOhm	5%		

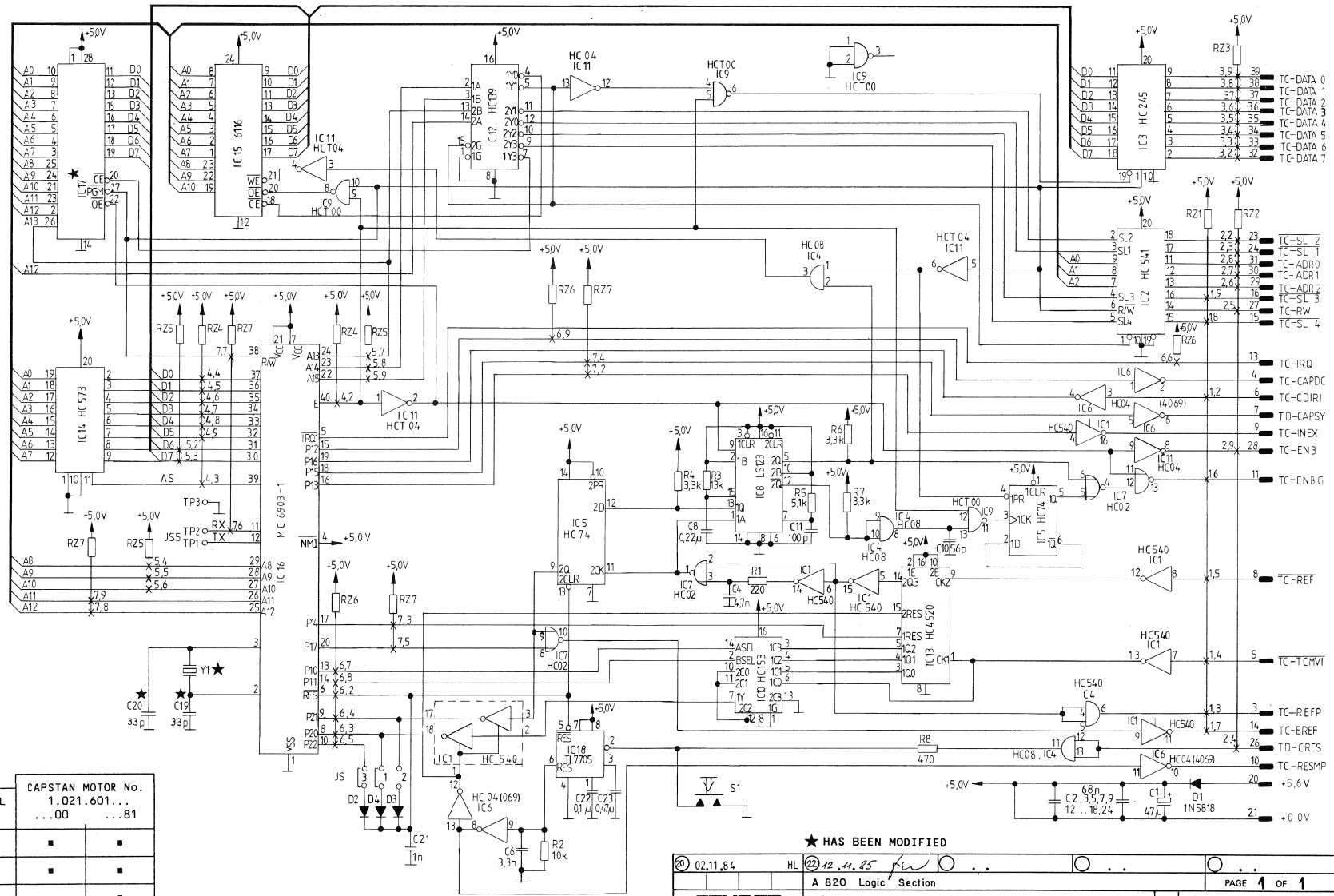
S T U D E R (00) 85/08/05 CK SPOOLING MOTOR DRIVER 1.820.759.82 PAGE 2

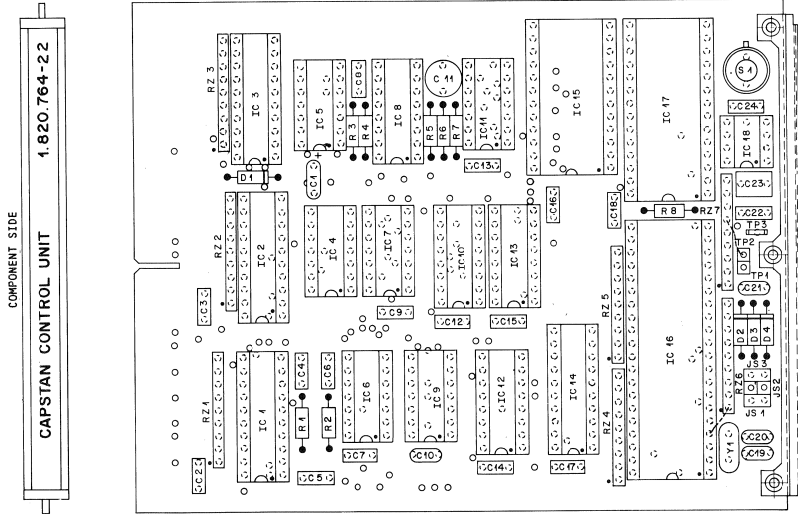
IND.	POS.ND.	PART NO.	VALUE	SPECIFICATIONS / EQUIVALENT	MANUF.
R.....25	57-11-4152	1.5 kOhm	2%		
R.....26	57-11-4472	4.7 kOhm	5%		
R.....27	57-11-4152	1.5 kOhm	5%		
R.....28	57-11-4102	1.0 kOhm	2%		
R.....29	57-11-4102	1.0 kOhm	2%		
R.....30	57-11-4102	1.0 kOhm	2%		
R.....31	57-11-4102	1.0 kOhm	2%		
R.....32	57-11-4102	1.0 kOhm	2%		
R.....33	57-11-4102	1.0 kOhm	2%		
R.....34	57-11-4152	1.5 kOhm	5%		
R.....35	57-11-4152	1.5 kOhm	5%		
R.....36	57-11-4104	100 kOhm	5%		
R.....37	57-11-4102	1.0 kOhm	5%		
R.....38	57-11-4152	1.5 kOhm	5%		
R.....39	57-11-4103	10 kOhm	5%		
R.....40	57-11-4152	1.5 kOhm	2%		
R.....41	57-11-4102	1.0 kOhm	2%		

* FOR 1.820.759.81, R7 AND R24 = 15 kΩ

Manufacturer: FC=Fairchild; ITT=Intertec; TI=Texas Instruments; Mot=Motorola; NS=National Semiconductor; PH=Philips; SG=SGS Corporation of America; ST=Stencor; TI=Texas Instruments; To=Topcon.

ORIG 85/08/05
S T U D E R (00) 85/08/05 CK SPOOLING MOTOR DRIVER 1.820.759.82 PAGE 3





IND.	POS.ND.	PART NO.	VALUE	SPECIFICATIONS / EQUIVALENT	MANUF.
(20)1	59-26-0470	47 uF	20%, 6-3V	PH
(20)2	59-06-0683	68 nF	20%	
(20)3	59-06-0683	68 nF	20%	
(20)4	59-32-2472	4.7 nF	10%	
(20)5	59-06-0683	68 nF	20%	
(20)6	59-32-2332	3.3 nF	10%	
(20)7	59-06-0683	68 nF	20%	
(20)8	59-06-5224	220 nF	5%	
(20)9	59-06-0683	68 nF	20%	
(20)10	59-45-4960	56 pF	10%	
(20)11	59-05-1101	100 pF	1%	
(20)12	59-06-0683	68 nF	20%	
(20)13	59-06-0683	68 nF	20%	
(20)14	59-06-0683	68 nF	20%	
(20)15	59-06-0683	68 nF	20%	
(20)16	59-06-0683	68 nF	20%	
(20)17	59-06-0683	68 nF	20%	
(20)18	59-06-0683	68 nF	20%	
(20)19	59-45-1100	15 pF	1%	
(20)20	59-45-2330	33 pF	5%	
(20)21	59-45-2330	33 pF	5%	
(20)22	59-26-4402	1 nF	20%	
(20)23	59-26-0104	100 nF	10%	
(20)24	59-06-0474	470 nF	10%	
(20)25	59-06-0683	68 nF	20%	

IND.	POS.ND.	PART NO.	VALUE	SPECIFICATIONS / EQUIVALENT	MANUF.
(20)1	50-24-0512	1N 5818	1N 5819	Mot
(20)2	50-24-0125	1N 4448		ITT-PhoSes-IT
(20)3	50-24-0125	1N 4448		ITT-PhoSes-IT
(20)4	50-24-0125	1N 4448		ITT-PhoSes-IT
(20)5	50-17-1540	74 HC 540		Ph+Mot+NS+RCA+To+IT
(20)6	50-17-1541	74 HC 541		Ph+Mot+NS+RCA+To+IT
(20)7	50-17-1245	74 HC 645		Ph+Mot+NS+RCA+To+IT
(20)8	50-17-1008	74 HC 60		Ph+Mot+NS+RCA+To+IT
(20)9	50-17-1074	74 HC 74		Ph+Mot+NS+RCA+To+IT

S T U D E R (22) 85/11/12 PB CAPSTAN CONTROL UNIT 1.820.764.00 PAGE 1

IND.	POS.ND.	PART NO.	VALUE	SPECIFICATIONS / EQUIVALENT	MANUF.
(20)	RZ.....5	51-88-4332		Network 8 # 3.3 kOhm	
(20)	RZ.....6	51-88-4103		Network 8 # 10 kOhm (old part 1.010.014-57)	
(20)	RZ.....7	51-88-4332		Network 8 # 3.3 kOhm	
(20)	S.....1	51-03-0122		Switch Impul's, see note 3	
(20)	Y.....1	89-01-0553		4.9152 MHz, TD18	
(22)	Y.....1	89-01-0560		4.9152 MHz, +- 20 ppm	

IND.	POS.ND.	PART NO.	VALUE	SPECIFICATIONS / EQUIVALENT	MANUF.
(20)1	50-24-0512	1N 5818	1N 5819	Mot
(20)2	50-24-0125	1N 4448		ITT-PhoSes-IT
(20)3	50-24-0125	1N 4448		ITT-PhoSes-IT
(20)4	50-24-0125	1N 4448		ITT-PhoSes-IT
(20)5	50-17-1540	74 HC 540		Ph+Mot+NS+RCA+To+IT
(20)6	50-17-1541	74 HC 541		Ph+Mot+NS+RCA+To+IT
(20)7	50-17-1245	74 HC 645		Ph+Mot+NS+RCA+To+IT
(20)8	50-17-1008	74 HC 60		Ph+Mot+NS+RCA+To+IT
(20)9	50-17-1074	74 HC 74		Ph+Mot+NS+RCA+To+IT

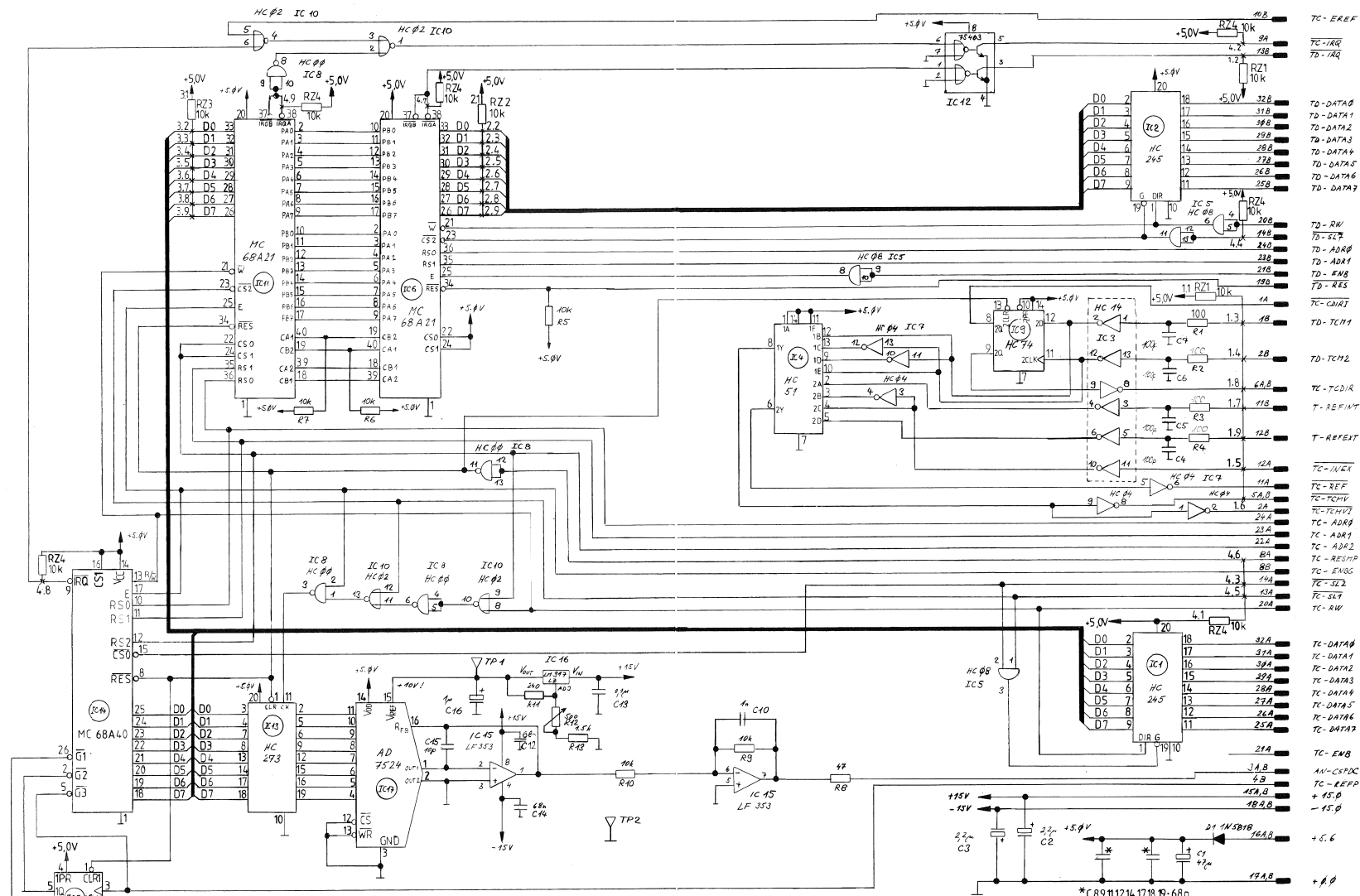
S T U D E R (22) 85/11/12 PB CAPSTAN CONTROL UNIT 1.820.764.00 PAGE 3

IND.	POS.ND.	PART NO.	VALUE	SPECIFICATIONS / EQUIVALENT	MANUF.
(20)	IC.....0	50-17-1004	74 HC 04		Ph+Mot+NS+RCA+To+IT
(20)	IC.....1	50-17-1002	74 HC 02		Ph+Mot+NS+RCA+To+IT
(20)	IC.....2	50-26-0123	74 HC 123		Mot+IT
(20)	IC.....3	50-17-1000	74 HC 00		Ph+Mot+NS+RCA+To+IT
(20)	IC.....4	50-17-1053	74 HC 153		Ph+Mot+NS+RCA+To+IT
(20)	IC.....5	50-17-1004	74 HC 04		Ph+NS+RCA
(20)	IC.....6	50-17-1139	74 HC 139	HEF 4520	Ph+Mot+NS+RCA+To+IT
(20)	IC.....7	50-07-0520	4520 BPC		Ph+PC
(20)	IC.....8	50-17-1579	74 HC 573		Ph+Mot+NS+RCA+To+IT
(20)	IC.....9	50-14-0107	MM54128-15		Hi-DRI
(20)	IC.....10	50-16-0107	MM54128-15		Hi-DRI
(20)	IC.....11	50-16-0107	MM54128-15		Hi-DRI
(20)	IC.....12	50-16-0107	MM54128-15		Hi-DRI
(20)	IC.....13	50-16-0107	MM54128-15		Hi-DRI
(20)	IC.....14	50-16-0107	MM54128-15		Hi-DRI
(20)	IC.....15	50-16-0107	MM54128-15		Hi-DRI
(20)	IC.....16	50-16-0107	MM54128-15		Hi-DRI
(20)	IC.....17	50-16-0107	MM54128-15		Hi-DRI
(20)	IC.....18	50-16-0107	MM54128-15		Hi-DRI
(20)	IC.....19	50-16-0107	MM54128-15		Hi-DRI
(20)	IC.....20	50-16-0107	MM54128-15		Hi-DRI
(20)	IC.....21	50-16-0107	MM54128-15		Hi-DRI
(20)	IC.....22	50-16-0107	MM54128-15		Hi-DRI
(20)	IC.....23	50-16-0107	MM54128-15		Hi-DRI
(20)	IC.....24	50-16-0107	MM54128-15		Hi-DRI
(20)	IC.....25	50-16-0107	MM54128-15		Hi-DRI
(20)	IC.....26	50-16-0107	MM54128-15		Hi-DRI
(20)	IC.....27	50-16-0107	MM54128-15		Hi-DRI
(20)	IC.....28	50-16-0107	MM54128-15		Hi-DRI
(20)	IC.....29	50-16-0107	MM54128-15		Hi-DRI
(20)	IC.....30	50-16-0107	MM54128-15		Hi-DRI
(20)	IC.....31	50-16-0107	MM54128-15		Hi-DRI
(20)	IC.....32	50-16-0107	MM54128-15		Hi-DRI
(20)	IC.....33	50-16-0107	MM54128-15		Hi-DRI
(20)	IC.....34	50-16-0107	MM54128-15		Hi-DRI
(20)	IC.....35	50-16-0107	MM54128-15		Hi-DRI
(20)	IC.....36	50-16-0107	MM54128-15		Hi-DRI
(20)	IC.....37	50-16-0107	MM54128-15		Hi-DRI
(20)	IC.....38	50-16-0107	MM54128-15		Hi-DRI
(20)	IC.....39	50-16-0107	MM54128-15		Hi-DRI
(20)	IC.....40	50-16-0107	MM54128-15		Hi-DRI
(20)	IC.....41	50-16-0107	MM54128-15		Hi-DRI
(20)	IC.....42	50-16-0107	MM54128-15		Hi-DRI
(20)	IC.....43	50-16-0107	MM54128-15		Hi-DRI
(20)	IC.....44	50-16-0107	MM54128-15		Hi-DRI
(20)	IC.....45	50-16-0107	MM54128-15		Hi-DRI
(20)	IC.....46	50-16-0107	MM54128-15		Hi-DRI
(20)	IC.....47	50-16-0107	MM54128-15		Hi-DRI
(20)	IC.....48	50-16-0107	MM54128-15		Hi-DRI
(20)	IC.....49	50-16-0107	MM54128-15		Hi-DRI
(20)	IC.....50	50-16-0107	MM54128-15		Hi-DRI

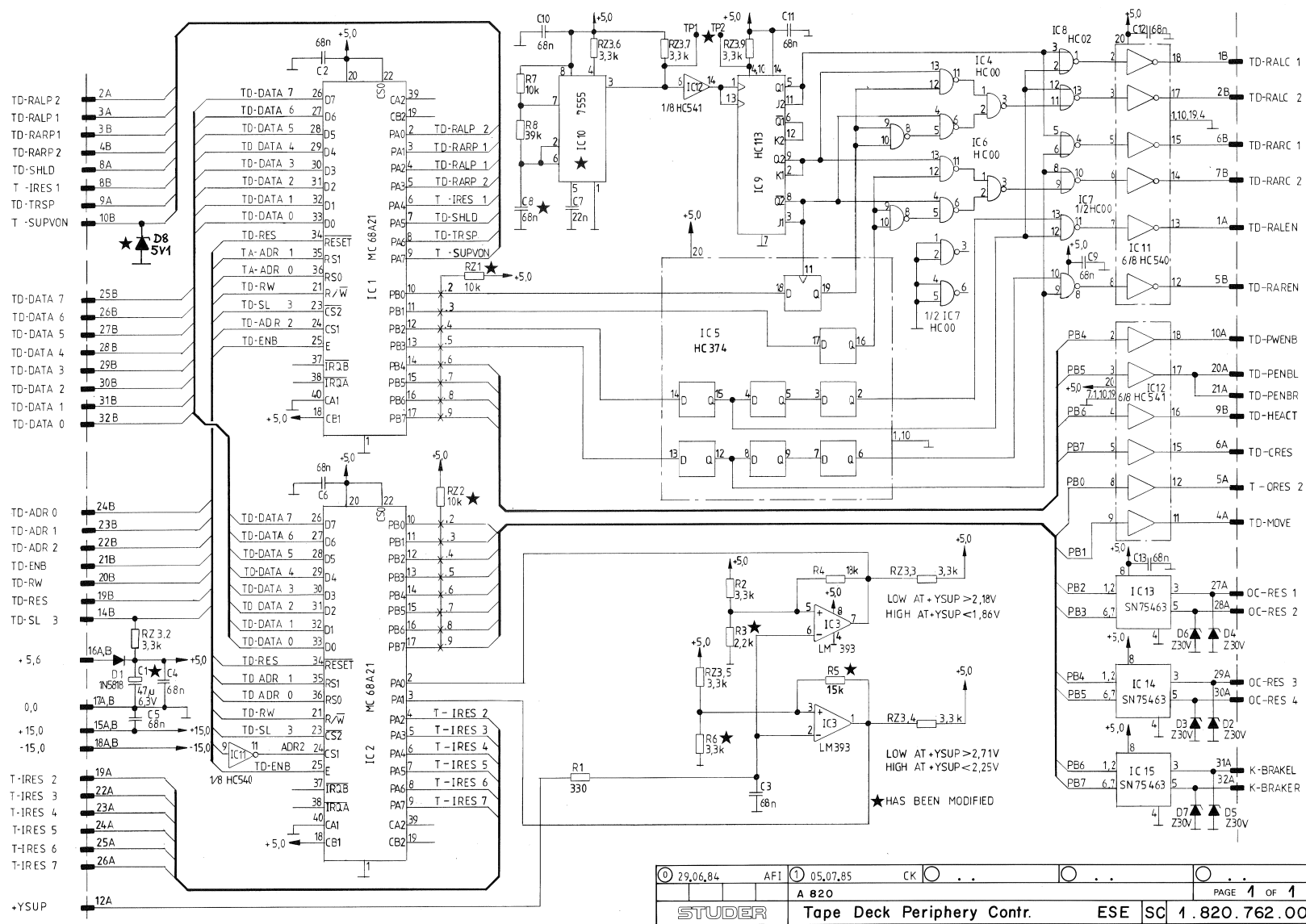
IND.	POS.ND.	PART NO.	VALUE	SPECIFICATIONS / EQUIVALENT	MANUF.
(20)	J5.....1			see note 2	
(20)	J5.....2			see note 2	
(20)	J5.....3			see note 2	
(20)	J5.....4			see note 2	
(20)	J5.....5			see note 2	
(20)	J5.....6			see note 2	
(20)	J5.....7			see note 2	
(20)	J5.....8			see note 2	
(20)	J5.....9			see note 2	
(20)	J5.....10			see note 2	
(20)	J5.....11			see note 2	
(20)	J5.....12			see note 2	
(20)	J5.....13			see note 2	
(20)	J5.....14			see note 2	
(20)	J5.....15			see note 2	
(20)	J5.....16			see note 2	
(20)	J5.....17			see note 2	
(20)	J5.....18			see note 2	
(20)	J5.....19			see note 2	
(20)	J5.....20			see note 2	
(20)	J5.....21			see note 2	
(20)	J5.....22			see note 2	
(20)	J5.....23			see note 2	
(20)	J5.....24			see note 2	
(20)	J5.....25			see note 2	
(20)	J5.....26			see note 2	
(20)	J5.....27			see note 2	
(20)	J5.....28			see note 2	
(20)	J5.....29			see note 2	
(20)	J5.....30			see note 2	
(20)	J5.....31			see note 2	
(20)	J5.....32			see note 2	
(20)	J5.....33			see note 2	
(20)	J5.....34			see note 2	
(20)	J5.....35			see note 2	
(20)	J5.....36			see note 2	
(20)	J5.....37			see note 2	
(20)	J5.....38			see note 2	
(20)	J5.....39			see note 2	
(20)	J5.....40			see note 2	
(20)	J5.....41			see note 2	
(20)	J5.....42			see note 2	
(20)	J5.....43			see note 2	
(20)	J5.....44			see note 2	
(20)	J5.....45			see note 2	
(20)	J5.....46			see note 2	
(20)	J5.....47			see note 2	
(20)	J5.....48			see note 2	
(20)	J5.....49			see note 2	
(20)	J5.....50			see note 2	

S T U D E R (22) 85/11/12 PB CAPSTAN CONTROL UNIT 1.820.764.00 PAGE 2

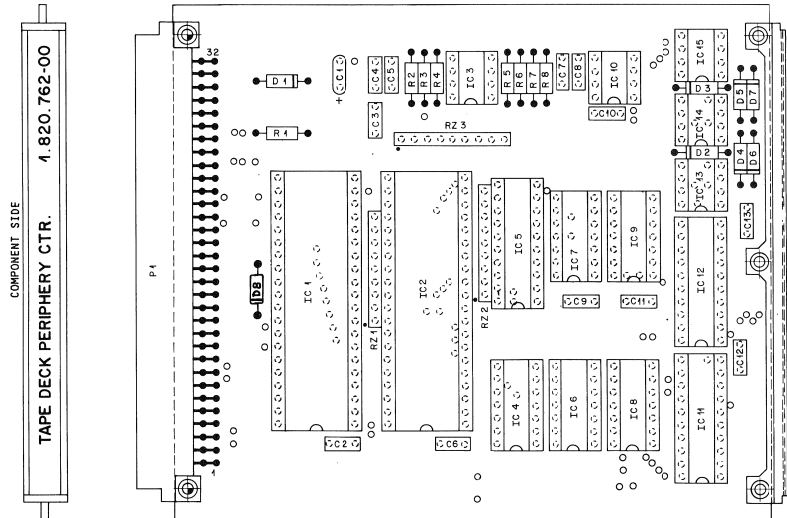
IND.	POS.ND.	PART NO.	VALUE	SPECIFICATIONS / EQUIVALENT	MANUF.
(20)1	50-24-0512	1N 5818	1N 5819	Mot
(20)2	50-24-0125	1N 4448		ITT-PhoSes-IT
(20)3	50-24-0125	1N 4448		ITT-PhoSes-IT
(20)4	50-24-0125	1N 4448		ITT-PhoSes-IT
(20)5	50-17-1540	74 HC 540		Ph+Mot+NS+RCA+To+IT
(20)6	50-17-1541	74 HC 541		Ph+Mot+NS+RCA+To+IT
(20)7	50-17-1245	74 HC 645		Ph+Mot+NS+RCA+To+IT
(20)8	50-17-1008	74 HC 60		Ph+Mot+NS+RCA+To+IT
(20)9	50-17-1074	74 HC 74		Ph+Mot+NS+RCA+To+IT
(20)10	50-17-1004	74 HC 04		Ph+Mot+NS+RCA+To+IT
(20)11	50-17-1002	74 HC 02		Ph+Mot+NS+RCA+To+IT
(20)12	50-26-0123	74 HC 123		Mot+IT
(20)13	50-17-1000	74 HC 00		Ph+Mot+NS+RCA+To+IT
(20)14	50-17-1053	74 HC 153		Ph+Mot+NS+RCA+To+IT
(20)15	50-17-1004	74 HC 04		Ph+NS+RCA
(20)16	50-17-1139	74 HC 139	HEF 4520	Ph+Mot+NS+RCA+To+IT
(20)17	50-07-0520	4520 BPC		Ph+PC
(20)18	50-17-1579	74 HC 573		Ph+Mot+NS+RCA+To+IT
(20)19	50-14-0107	MM54128-15		Hi-DRI
(20)20	50-16-0107	MM54128-15		Hi-DRI
(20)21	50-16-0107	MM54128-15		Hi-DRI
(20)22	50-16-0107	MM54128-15		Hi-DRI
(20)23	50-16-0107	MM54128-15		Hi-DRI
(20)24	50-16-0107	MM54128-15		Hi-DRI
(20)25	50-16-0107	MM54128-15		Hi-DRI
(20)26	50-16-0107	MM54128-15		Hi-DRI
(20)27	50-16-0107	MM54128-15		Hi-DRI
(20)28	50-16-0107	MM54128-15		Hi-DRI
(20)29	50-16-0107	MM54128-15		Hi-DRI
(20)30	50-16-0107	MM54128-15		Hi-DRI
(20)31	50-16-0107	MM54128-15		Hi-DRI
(20)32	50-16-0107	MM54128-15		Hi-DRI
(20)33	50-16-0107	MM54128-15		Hi-DRI
(20)34	50-16-0107	MM54128-15		Hi-DRI
(20)35	50-16-0107	MM54128-15		Hi-DRI
(20)36	50-16-0107	MM54128-15		Hi-DRI
(20)37	50-16-0107	MM54128-15		Hi-DRI
(20)38	50-16-0107	MM54128-15		Hi-DRI
(20)39	50-16-0107	MM54128-15		Hi-DRI
(20)40	50-16-0107	MM54128-15		Hi-DRI
(20)41	50-16-0107	MM54128-15		Hi-DRI
(20)42	50-16-0107	MM54128-15		Hi-DRI
(20)43	50-16-0107	MM54128-15		Hi-DRI
(20)44	50-16-0107	MM54128-15		Hi-DRI
(20)45</				



0	5	3	84	HL	A 820 Logic Section	SC 1.820.727.00	PAGE 1 OF 1
STUDER					Capstan Interface		



① 29.06.84	AF1	① 05.07.85	CK	○ . .	○ . .	○ . .
STUDER			A 820		PAGE 4 OF 1	
Tape Deck Periphery Contr.			ESE	SC	1.820.762.00	

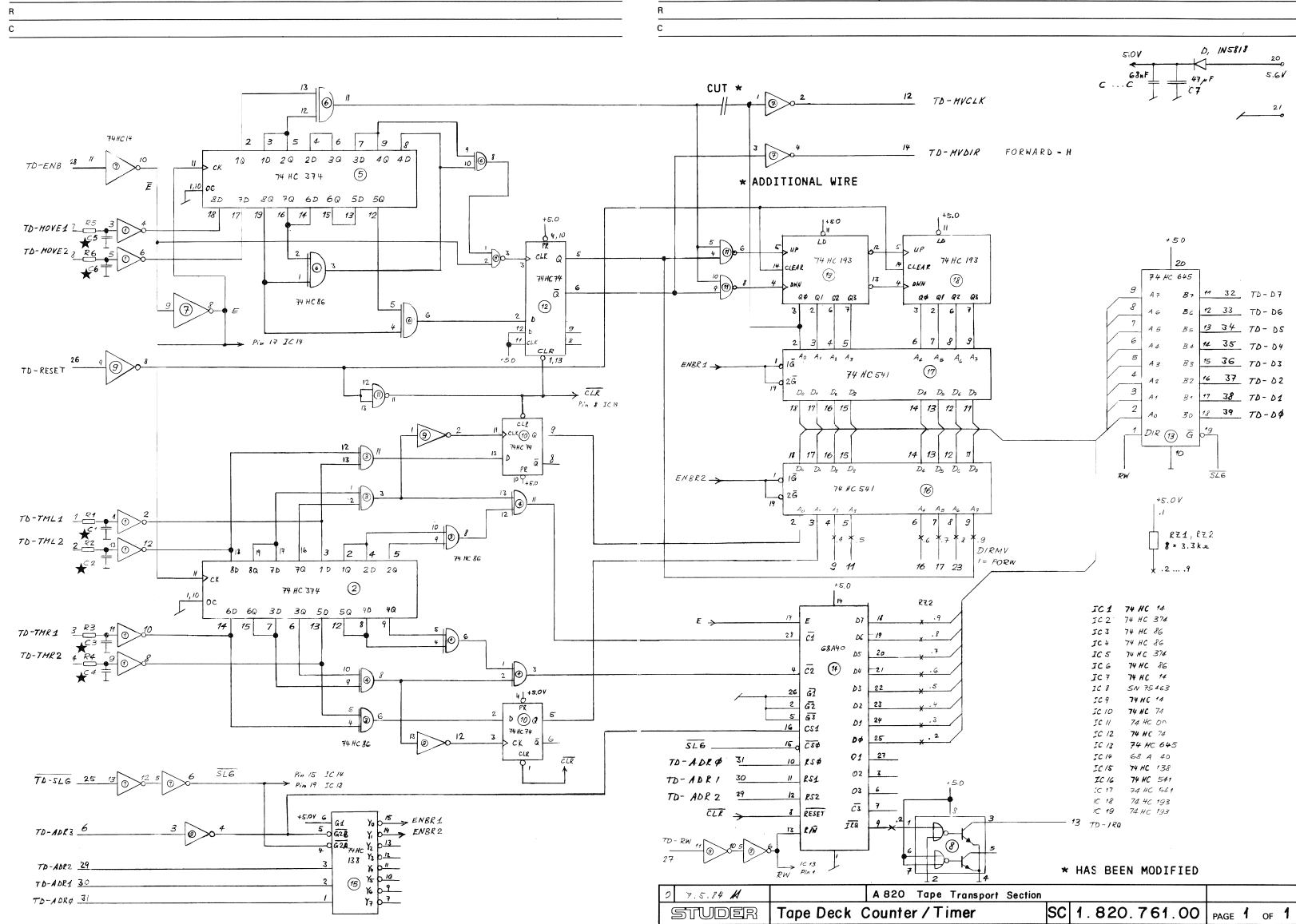


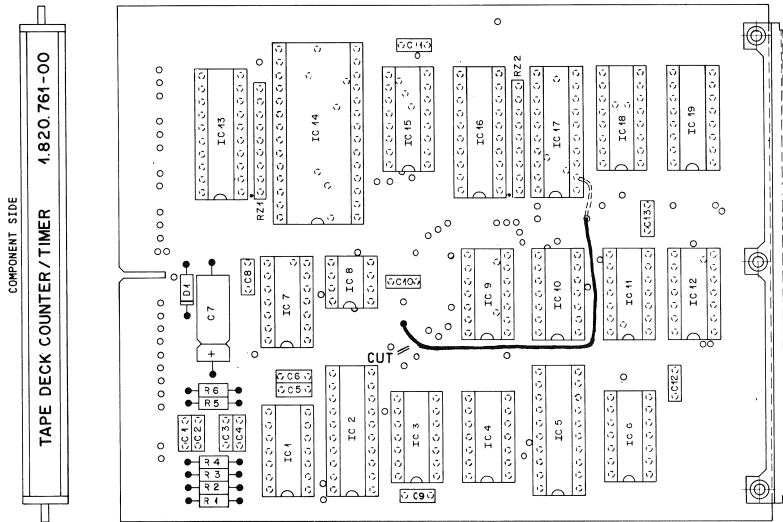
IND.	POS.NO.	PART NO.	VALUE	SPECIFICATIONS / EQUIVALENT	MANUF.
(00)	C.....1	59-41-5101	100 uF	20%, 6x3V	
(01)	C.....1	59-06-0470	47 uF	20%, 6x3V	
	C.....2	59-06-0683	68 nF	20%	
	C.....3	59-06-0683	68 nF	20%	
	C.....4	59-06-0683	68 nF	20%	
	C.....5	59-06-0683	68 nF	20%	
	C.....6	59-06-0683	68 nF	20%	
	C.....7	59-06-0223	22 nF	10%	
(00)	C.....8	59-06-0683	68 nF	20%	
(02)	C.....8	59-06-0683	68 nF	20%	
	C.....9	59-06-0683	68 nF	20%	
	C.....10	59-06-0683	68 nF	20%	
	C.....11	59-06-0683	68 nF	20%	
	C.....12	59-06-0683	68 nF	20%	
	C.....13	59-06-0683	68 nF	20%	
	D.....1	50-04-0512	1N 5818	1N 5819	Not
	D.....2	50-04-1125	30 W Z	ZPD 30	ITT
	D.....3	50-04-1125	30 W Z	ZPD 30	ITT
	D.....4	50-04-1125	30 W Z	ZPD 30	ITT
	D.....5	50-04-1125	30 W Z	ZPD 30	ITT
	D.....6	50-04-1125	30 W Z	ZPD 30	ITT
	D.....7	50-04-1125	30 W Z	ZPD 30	ITT
(01)	D.....8	50-04-1112	541 W Z	RZK5C 5V1, RZK5C 5V1, ZPD 5-1	ITT, Sps
	IC.....1	50-16-0106	MC68 A 21P	568 A 21P	AMI/Fc/Mot
	IC.....2	50-16-0106	MC68 A 21P	568 A 21P	AMI/Fc/Mot
	IC.....3	50-05-0283	LM 303 N	LM 303 P	NS/TT
	IC.....4	50-17-1000	74 HC 00	.. 74 HC 00	Not+NS/TT
	IC.....5	50-17-1376	74 HC 375	.. 74 HC 375	Not+NS/TT
	IC.....6	50-17-1000	74 HC 00	.. 74 HC 00	Not+NS/TT
	IC.....7	50-17-1000	74 HC 00	.. 74 HC 00	Not+NS/TT
	IC.....8	50-17-1002	74 HC 02	.. 74 HC 02	Not+NS/TT
	IC.....9	50-11-1113	74 HC 113	.. 74 HC 113	Not+NS/TT
(00)	IC.....10	50-05-0158	MC 1455 P1	.. 555 ... HA 17555 PS	Fc+Ni+Mot+Max/Sig
(02)	IC.....10	50-07-0036	ICW5551PA		1x/MF
	IC.....11	50-17-1540	74 HC 540	.. 74 HC 540	Not+NS/TT

IND.	POS.NO.	PART NO.	VALUE	SPECIFICATIONS / EQUIVALENT	MANUF.
	IC.....12	50-17-1541	74 HC 541	.. 74 HC 541	Not+NS/TT
	IC.....13	50-05-0203	SN 75463 P	05 3613 N	NS/TT
	IC.....14	50-05-0203	SN 75463 P	05 3613 N	NS/TT
	IC.....15	50-05-0203	SN 75463 P	05 3613 N	NS/TT
	F.....1	59-11-2004		Z = 32 contacts, see note 1	
	R.....1	57-11-4331	330 Ohm	10%	
	R.....2	57-11-4332	3.3 kOhm	5%	
(00)	R.....3	57-11-4332	12 kOhm	5%	
(01)	R.....3	57-11-4222	2.2 kOhm	5%	
	R.....4	57-11-4332	18 kOhm	5%	
(00)	R.....5	57-11-4472	4.7 kOhm	5%	
(01)	R.....5	57-11-4275	15 kOhm	5%	
(00)	R.....6	57-11-4102	1.0 kOhm	5%	
(01)	R.....6	57-11-4252	3.3 kOhm	5%	
	R.....7	57-11-4103	10 kOhm	5%	
	R.....8	57-11-4393	39 kOhm	5%	
(00)	RZ.....1	1-010-014-57	10 kOhm	10%	See note 2
(01)	RZ.....1	57-88-4103	10 kOhm	10%	10%
(00)	RZ.....2	1-010-014-57	10 kOhm	10%	See note 2
(01)	RZ.....2	57-88-4103	10 kOhm	10%	10%
	RZ.....3	57-88-4332	3.3 kOhm	10%	See note 3
(01)	FP.....1	59-02-0320	test pin		
(01)	FP.....2	59-02-0320	test pin		

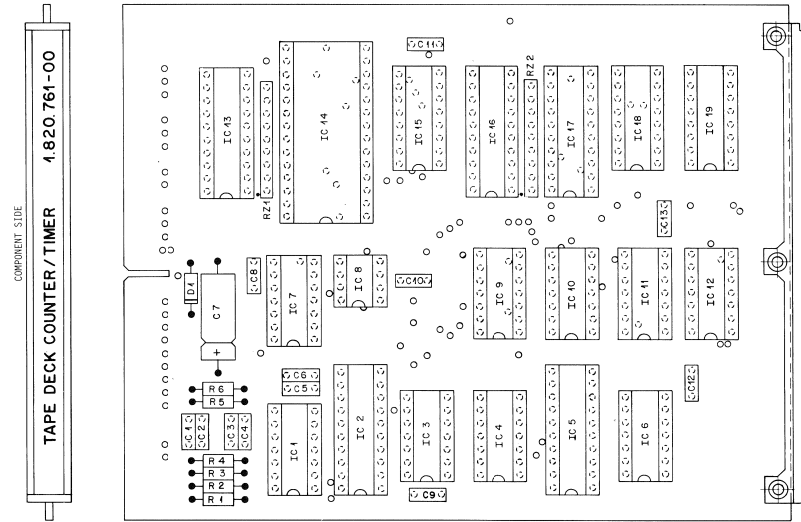
S T U D E R (02) 85/11/06 PB TAPE DECK PERIPHERY CONTR. 1-820.762.00 PAGE 2

IND.	POS.NO.	PART NO.	VALUE	SPECIFICATIONS / EQUIVALENT	MANUF.
(01)	85-07-05	Testing points TP1 and TP2 implemented; improved protection for IC 1, pin 9, (D8).			
		(CORRECTION OF VALUES CLASSIFIED RZ21+R22 because mistake).			
(02)	85-11-06	Improved frequency accuracy IC 10.			
Note 1 - Connector:		Z = 32 Euro Print			
		Burndy	P1 54 B 20 P00 F00 Z0		
		Erni	9722-563.191		
Note 2 - Network:		8 * 10 kOhm 5%, single line			
		Bourns	4609 I - 101 - 103		
		Sprague	256 CJ 103 X 2 PD		
		Beckmann	L - 09 - 1 - R 3.3 k J		
		Matsushita	F - 0 9 10 k 5%		
		Tama	MFC C 09 X 10 k J		
Note 3 - Network:		8 * 3.3 kOhm 5%, single line			
		Bourns	4609 I - 101 - 332		
		Sprague	256 CJ 332 X 2 PD		
		Beckmann	L - 09 - 1 - R 3.3 k J		
		Matsushita	F - 0 9 3.3 k 5%		
		Tama	MFC C 09 X 3.3 k J		
Manufacturers:		AMI-American Microsystem Inc., Fc-Fairchild, Hi-Hitech, IIT-Intermetall, Is-Interill, Ma-Maxim, Mo-Motorola, NS-National Semiconductor, PnP-Philips, Ra-Raytheon, RCA-RCA Corporation of America, Sig-Signetics, TI-Texas Instruments, To-Toshiba.			





LAYOUT 1.820.761.12



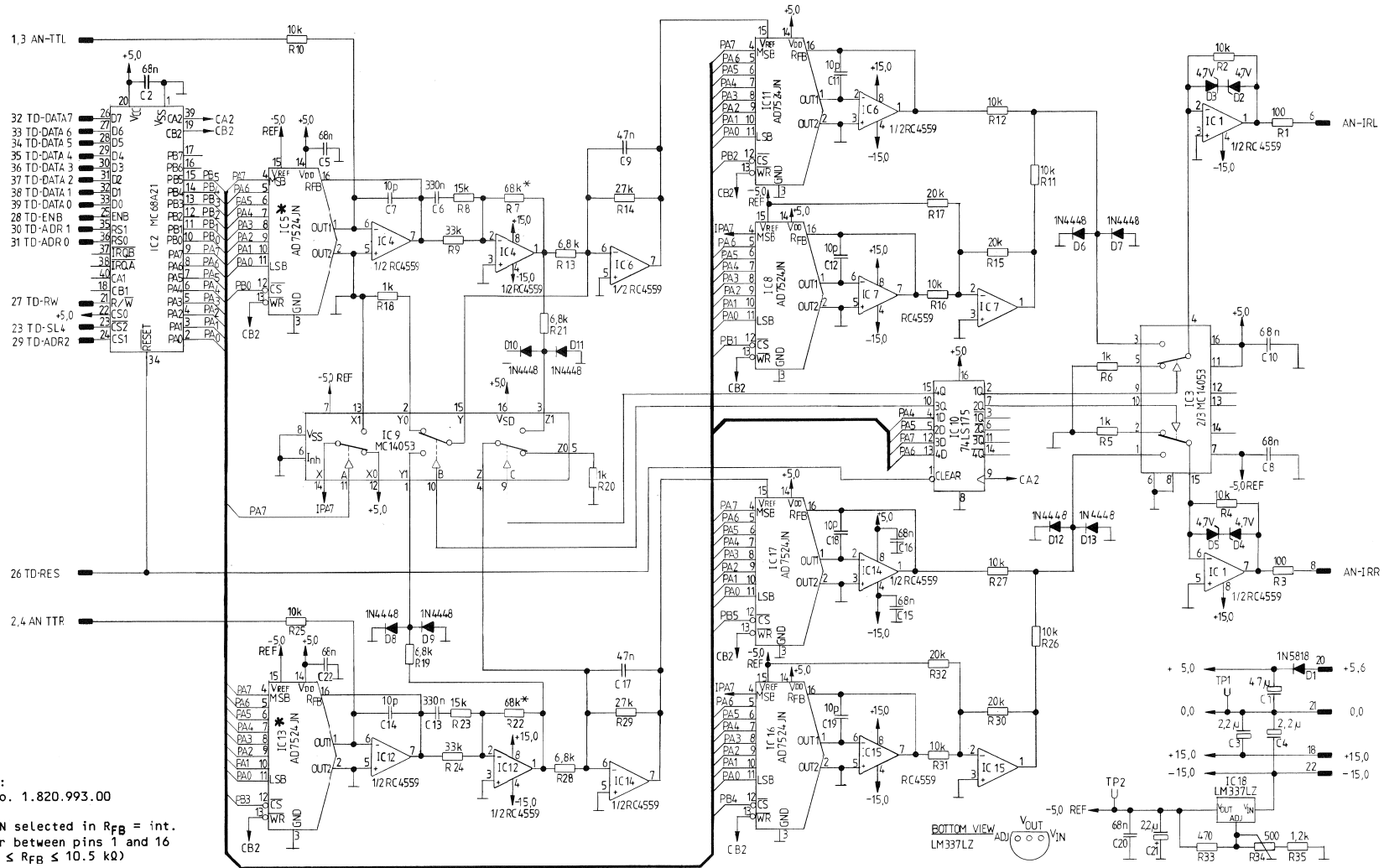
LAYOUT 1.820.761.13

IND.	POS.NO.	PART NO.	VALUE	SPECIFICATIONS / EQUIVALENT	MANUF.
	D.....1	50-04-0512	IN 5818	IN 5819	Mot
(00)	C.....1			not used	
(01)	C.....1	59-3s-4331	330 pF	10%	Cer
(02)	C.....2	59-3s-4331	330 pF	10%	Cer
(03)	C.....2	59-3s-4331	330 pF	10%	Cer
(04)	C.....3	59-3s-4331	330 pF	10%	Cer
(05)	C.....3	59-3s-4331	330 pF	10%	Cer
(06)	C.....4	59-3s-4331	330 pF	10%	Cer
(07)	C.....4	59-3s-4331	330 pF	10%	Cer
(08)	C.....5	59-3s-4331	330 pF	10%	Cer
(09)	C.....5	59-3s-4331	330 pF	10%	Cer
(10)	C.....6	59-3s-4331	330 pF	10%	Cer
(11)	C.....6	59-3s-4331	330 pF	10%	Cer
(12)	C.....7	59-2s-470	47 nF		
(13)	C.....8	59-0s-0683	68 nF		16V9 EI
(14)	C.....9	59-0s-0683	68 nF		
(15)	C.....10	59-0s-0683	68 nF		
(16)	C.....11	59-0s-0683	68 nF		
(17)	C.....12	59-0s-0683	68 nF		
(18)	C.....13	59-0s-0683	68 nF		
IC.....1	50-17-1014	74 HC 14	--	74 HC 14 -	Mot+NS+Ph+RCA+Tl+To
IC.....2	50-17-1374	74 HC 374	--	74 HC 374 -	Mot+NS+Ph+RCA+SGS+Tl+To
IC.....3	50-17-1086	74 HC 86	--	74 HC 86 -	Mot+NS+Ph+RCA+SGS+Tl+To
IC.....4	50-17-1086	74 HC 86	--	74 HC 86 -	Mot+NS+Ph+RCA+SGS+Tl+To
IC.....5	50-17-1374	74 HC 374	--	74 HC 374 -	Mot+NS+Ph+RCA+SGS+Tl+To
IC.....6	50-17-1086	74 HC 86	--	74 HC 86 -	Mot+NS+Ph+RCA+SGS+Tl+To
IC.....7	50-17-1014	74 HC 14	--	74 HC 14 -	Mot+NS+Ph+RCA+Tl+To
IC.....8	50-05-0203	SN 75463 P	SN 75463 J6, SN 55463 J6, DS 3613 N	NS+Tl	
IC.....9	50-17-1014	74 HC 14	--	74 HC 14 -	Mot+NS+Ph+RCA+Tl+To
IC.....10	50-17-1074	74 HC 74	--	74 HC 74 -	Mot+NS+Ph+RCA+SGS+Tl+To
IC.....11	50-17-1000	74 HC 00	--	74 HC 00 -	Mot+NS+Ph+RCA+SGS+Tl+To
IC.....12	50-17-1074	74 HC 74	--	74 HC 74 -	Mot+NS+Ph+RCA+SGS+Tl+To
IC.....13	50-17-1045	74 HC 045	--	74 HC 045 -	Mot+NS+Ph+RCA+SGS+Tl+To
IC.....14	50-1s-0113	MC 88A 40P	MD 68A 40P	Hi Mot	
IC.....15	50-17-1338	74 HC 138	--	74 HC 138 -	Mot+NS+Ph+RCA+SGS+Tl+To

STUDER (01) 86/04/07 P3 TAPE DECK COUNTER/TIMER 1.820.761.00 PAGE 1

IND.	POS.NO.	PART NO.	VALUE	SPECIFICATIONS / EQUIVALENT	MANUF.
IC.....16	50-17-1541	74 HC 541	--	74 HC 541 -	Mot+NS+Ph+RCA+SGS+Tl+To
IC.....17	50-17-1541	74 HC 541	--	74 HC 541 -	Mot+NS+Ph+RCA+SGS+Tl+To
IC.....18	50-17-1193	74 HC 193	--	74 HC 193 -	Mot+NS+Ph+RCA+SGS+Tl+To
IC.....19	50-17-1193	74 HC 193	--	74 HC 193 -	Mot+NS+Ph+RCA+SGS+Tl+To
R.....1	57-11s-1001	100 Ohm			
R.....2	57-11s-1001	100 Ohm			
R.....3	57-11s-1001	100 Ohm			
R.....4	57-11s-1001	100 Ohm			
R.....5	57-11s-1001	100 Ohm			
R.....6	57-11s-1001	100 Ohm			
RZ.....1	57-88s-332		Network, R = 3.3 kOhm, S = single line		
RZ.....2	57-88s-332		Network, R = 3.3 kOhm, S = single line		
(01)	86-0s-07		Improved noise suppression on tacho signals.		
Cer/Ceramic: El=Electrolytic					
MANUFACTURER: Hi=HiTech, Mot=Motorola, NS=National Semiconductors, Ph=Philips, RCA=RCA Corporation, SGS=SGS/Ates, Tl=Tokai Instruments, To=Toothbox					
DRD 84/05/07 (01) 86/04/07					

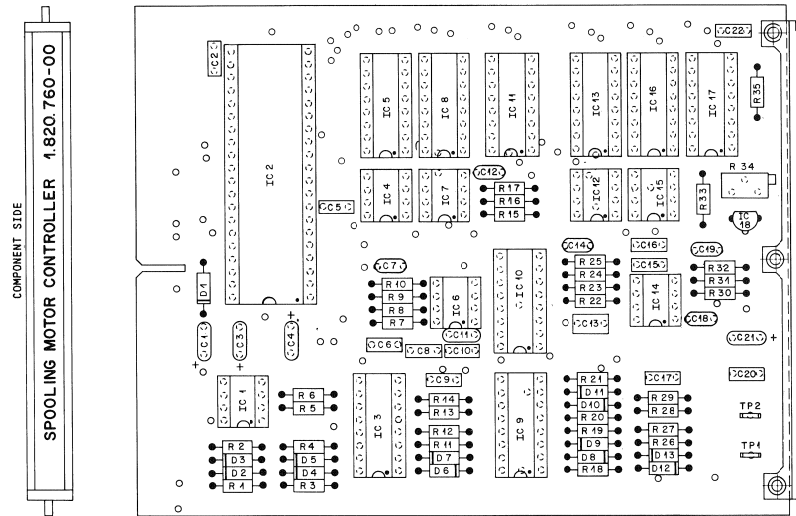
STUDER (01) 86/04/07 P3 TAPE DECK COUNTER/TIMER 1.820.761.00 PAGE 2



Note:
 IC5, IC13:
 ■ Order No. 1.820.993.00
 or:
 ■ AD7524JN selected in R_{FB} = int.
 Resistor between pins 1 and 16
 (9.5 kΩ ≤ R_{FB} ≤ 10.5 kΩ)

* HAS BEEN MODIFIED

① 20,11,84	af	① 28,03,85	ck	①	①	①	①
A 820				PAGE 1 OF 1			
STUDER				Spooling Motor Controller		SC 1.820.760.00	



IND.	PDS.NO.	PART NO.	VALUE	SPECIFICATIONS / EQUIVALENT	MANUF.
L****1		59*26*0910	87 UF	10% 50V, sul	
L****2		59*06*0983	68 nF		
L****3		59*26*5229	2.2 UF	25V, sul	
L****4		59*26*5229	2.2 UF	25V, sul	
L****5		59*06*0983	68 nF		
L****6		59*06*0334	330 nF	10%	Co
L****7		59*34*1100	10 pF		
L****8		59*06*0683	68 nF		
L****9		59*06*0683	68 nF		
L****10		59*06*0683	68 nF	10%	Co
L****11		59*34*1100	10 pF		Co
L****12		59*34*1100	10 pF		Co
L****13		59*06*0334	330 nF	10%	Co
L****14		59*34*1100	10 pF		Co
L****15		59*06*0683	68 nF		
L****16		59*06*0683	68 nF		
L****17		59*06*0683	68 nF	10%	Co
L****18		59*34*1100	10 pF		Co
L****19		59*34*1100	10 pF		Co
L****20		59*06*0334	68 nF		
L****21		59*26*5229	2.2 UF	25V, sul	
L****22		59*06*0683	68 nF		

J****1		50*04*0512	1N 5818	IN 5818	Not
J****2		50*04*1123	4.7 W 2	02803L 4V7, 02855C 4V7, ZPO 4.7	TTT, Ses
J****3		50*04*1123	4.7 W 2	02803L 4V7, 02855C 4V7, ZPO 4.7	TTT, Ses
J****4		50*04*1123	4.7 W 2	02803L 4V7, 02855C 4V7, ZPO 4.7	TTT, Ses
J****5		50*04*1123	4.7 W 2	02803L 4V7, 02855C 4V7, ZPO 4.7	TTT, Ses
J****6		50*04*0125	1N 4448		
J****7		50*04*0125	1N 4448		
J****8		50*04*0125	1N 4448		
J****9		50*04*0125	1N 4448		
J****10		50*04*0125	1N 4448		
J****11		50*04*0125	1N 4448		
J****12		50*04*0125	1N 4448		
J****13		50*04*0125	1N 4448		

S T U D E R (02) 85/09/19 CK SPOOLING MOTOR CONTROLLER 1.820.760.00 PAGE 1

IND.	PDS.NO.	PART NO.	VALUE	SPECIFICATIONS / EQUIVALENT	MANUF.
R****13		57*11*4482	4.8 kOhm	5%	
R****14		57*11*4273	27 kOhm	5%	
R****15		57*11*3303	20 kOhm	5%	
R****16		57*11*4103	10 kOhm	5%	
R****17		57*11*3303	20 kOhm	5%	
R****18		57*11*4102	1 kOhm	5%	
R****19		57*11*4482	4.8 kOhm	5%	
R****20		57*11*4102	1 kOhm	5%	
R****21		57*11*4482	4.8 kOhm	5%	
(00) R****22		57*11*4333	33 kOhm	5%	
R****23		57*11*4103	10 kOhm	5%	
R****24		57*11*4333	33 kOhm	5%	
R****25		57*11*4103	10 kOhm	5%	
R****26		57*11*4103	10 kOhm	5%	
R****27		57*11*4103	10 kOhm	5%	
R****28		57*11*4482	4.8 kOhm	5%	
R****29		57*11*4273	27 kOhm	5%	
R****30		57*11*3303	20 kOhm	5%	
R****31		57*11*4103	10 kOhm	5%	
R****32		57*11*3303	20 kOhm	5%	
R****33		57*11*4482	4.8 kOhm	5%	
R****34		57*11*4482	4.8 kOhm	5%	
R****35		57*11*4482	4.8 kOhm	5%	
R****36		56*05*0501	500 Ohm	5%	
R****37		57*11*4102	1 kOhm	5%	

(00) R****22		57*11*4333	33 kOhm	5%	
(01) R****23		57*11*4103	10 kOhm	5%	
R****24		57*11*4333	33 kOhm	5%	
R****25		57*11*4103	10 kOhm	5%	
R****26		57*11*4103	10 kOhm	5%	
R****27		57*11*4103	10 kOhm	5%	
R****28		57*11*4482	4.8 kOhm	5%	
R****29		57*11*4273	27 kOhm	5%	
R****30		57*11*3303	20 kOhm	5%	
R****31		57*11*4103	10 kOhm	5%	
R****32		57*11*3303	20 kOhm	5%	
R****33		57*11*4482	4.8 kOhm	5%	
R****34		57*11*4482	4.8 kOhm	5%	
R****35		57*11*4482	4.8 kOhm	5%	
R****36		56*05*0501	500 Ohm	5%	
R****37		57*11*4102	1 kOhm	5%	

S T U D E R (02) 85/09/19 CK SPOOLING MOTOR CONTROLLER 1.820.760.00 PAGE 3

IND.	PDS.NO.	PART NO.	VALUE	SPECIFICATIONS / EQUIVALENT	MANUF.
IC****1		50*09*0107	RC 4559 ND	UPC 4559, slow rate min. 1.5 V/us	NEC*Ra
IC****2		50*10*0106	MC68 A 218	568 A 218, FOR 8 DIP	AMI*Ra
IC****3		50*07*0015	MC140538CP	*** 4053 ***	MO*NS*PH*RA*To
IC****4		50*09*0107	RC 4559 ND	UPC 4559, slow rate min. 1.5 V/us	NEC*Ra
(00) IC****5		50*07*0002	AD 7524 JN	MP 7524 JN	ADI*MS
(02) IC****6		14820*993*00		See note 1	SE
IC****7		50*09*0107	RC 4559 ND	UPC 4559, slow rate min. 1.5 V/us	NEC*Ra
IC****8		50*09*0107	RC 4559 ND	UPC 4559, slow rate min. 1.5 V/us	NEC*Ra
IC****9		50*07*0002	AD 7524 JN	MP 7524 JN	ADI*MS
IC****10		50*06*0175	7A LS 175	*** 7A LS 175 ***	NS*SIG*TI
IC****11		50*07*0015	MC140538CP	*** 4053 ***	MO*NS*PH*RA*To
IC****12		50*09*0107	RC 4559 ND	UPC 4559, slow rate min. 1.5 V/us	NEC*Ra
(00) IC****13		50*07*0002	AD 7524 JN	MP 7524 JN	ADI*MS
(02) IC****14		14820*993*00		See note 1	SE
IC****15		50*09*0107	RC 4559 ND	UPC 4559, slow rate min. 1.5 V/us	NEC*Ra
IC****16		50*07*0002	AD 7524 JN	MP 7524 JN	ADI*MS
IC****17		50*07*0002	AD 7524 JN	MP 7524 JN	ADI*MS
IC****18		50*10*0109	LM 337 L2		NS

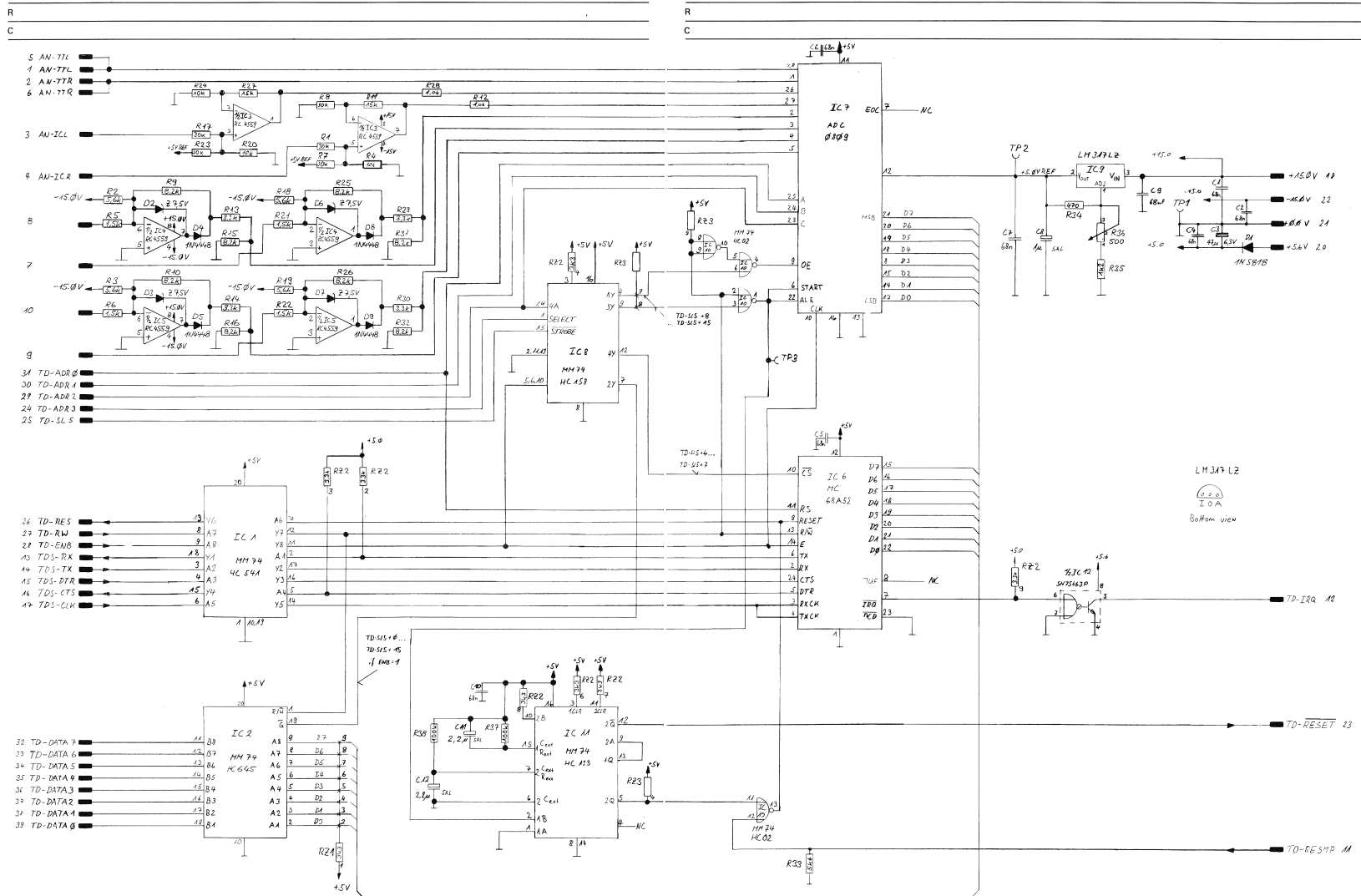
TP****1		54*02*0320		Test point	
TP****2		54*02*0320		Test point	
R****1		57*11*4101	100 Ohm		
R****2		57*11*4101	100 Ohm	5%	
R****3		57*11*4101	100 Ohm	5%	
R****4		57*11*4101	100 Ohm	5%	
R****5		57*11*4102	1 kOhm	5%	
R****6		57*11*4102	1 kOhm	5%	
(00) R****7		57*11*4333	33 kOhm	5%	
(01) R****8		57*11*4483	4.8 kOhm	5%	
R****9		57*11*4333	33 kOhm	5%	
R****10		57*11*4103	10 kOhm	5%	
R****11		57*11*4103	10 kOhm	5%	
R****12		57*11*4103	10 kOhm	5%	

S T U D E R (02) 85/09/19 CK SPOOLING MOTOR CONTROLLER 1.820.760.00 PAGE 2

IND.	PDS.NO.	PART NO.	VALUE	SPECIFICATIONS / EQUIVALENT	MANUF.
(01) 85*03*28				Improved response of tape tension control.	
(02) 85*09*19				Narrow of tape tension feed-back gain.	
Note 1:				Use 1.820.993-00 or AD 7524 JN (Studer-no 50070002) selected on 8P0 10 kOhm +-5% (9.5 to 10.5 kOhm) resistor between pins 1 and 10.	
Co*				Ceramic Sub-Solid aluminum	
MANUFACTURER:				ADI=Analog Devices Inc., AM=American Microsystems Inc., IC=Intel Corp., MO=Motorola, MS=National Semiconductor, NS=National Electric Corp., NS=National Semiconductors, PH=Philips, RA=Raytheon, RA=RA Corp. of America, SIG=Signetics, TI=Texas Instruments	

TP****1		54*02*0320		Test point	
TP****2		54*02*0320		Test point	
R****1		57*11*4101	100 Ohm		
R****2		57*11*4101	100 Ohm	5%	
R****3		57*11*4101	100 Ohm	5%	
R****4		57*11*4101	100 Ohm	5%	
R****5		57*11*4102	1 kOhm	5%	
R****6		57*11*4102	1 kOhm	5%	
(00) R****7		57*11*4333	33 kOhm	5%	
(01) R****8		57*11*4483	4.8 kOhm	5%	
R****9		57*11*4333	33 kOhm	5%	
R****10		57*11*4103	10 kOhm	5%	
R****11		57*11*4103	10 kOhm	5%	
R****12		57*11*4103	10 kOhm	5%	

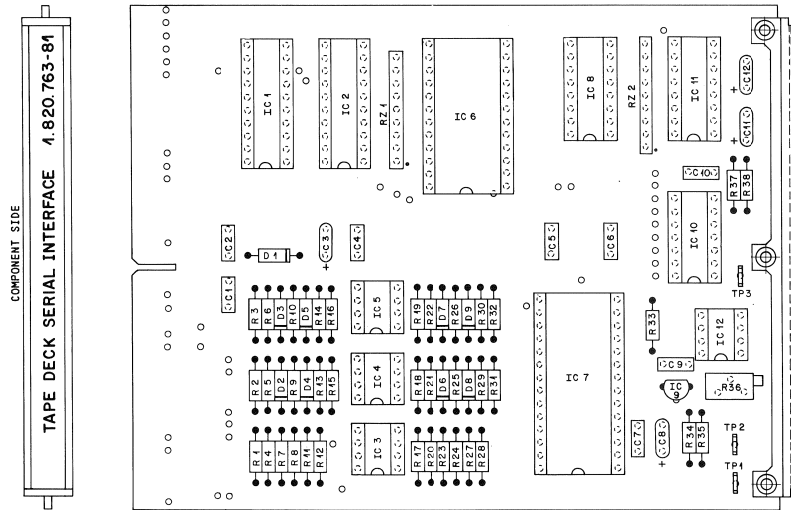
DRG 84/11/20 (01) 85/03/28 (02) 85/09/19 S T U D E R (02) 85/09/19 CK SPOOLING MOTOR CONTROLLER 1.820.760.00 PAGE 4



R23 not used

① C4 changed from 33nF to 2.2µF

① 12 12 E4 HC	② 30.4 E5 CK	A820 Logic Section	
STUDER		Tape Deck Serial Interface	ESE/SC 1.820.763.81 PAGE 1 OF 1



END.	POS.NO.	PART NO.	VALUE	SPECIFICATIONS / EQUIVALENT	MANUF.
C	1	59-20-0083	68 pf	Z01	NS;Mot
C	2	59-20-0083	68 pf	Z01	NS;Mot
C	3	59-20-0083	47 pf	Z01	NS;Mot
C	4	59-20-0083	68 pf	Z01	NS;Mot
C	5	59-20-0083	68 pf	Z01	NS;Mot
C	6	59-20-0083	68 pf	Z01	NS;Mot
C	7	59-20-0083	68 pf	Z01	NS;Mot
C	8	59-20-0083	68 pf	Z01	NS;Mot
C	9	59-20-0083	68 pf	Z01	NS;Mot
C	10	59-20-0083	68 pf	Z01	NS;Mot
C	11	59-20-1330	33 uf	Z01	PH
C	12	59-20-0203	2.2 uf	Z01	PH

D	1	50-04-0512	1N 5818	1N 5819	Not
D	2	50-04-1103	7.5 V	5% +40W Zepplanar	ITT;Ses
D	3	50-04-1103	7.5 V	5% +40W Zepplanar	ITT;Ses
D	4	50-04-0125	1N 4448	51	Ec;ITT;Ph;Ses;Tf
D	5	50-04-0125	1N 4448	51	Ec;ITT;Ph;Ses;Tf
D	6	50-04-1103	7.5 V	5% +40W Zepplanar	ITT;Ses
D	7	50-04-1103	7.5 V	5% +40W Zepplanar	ITT;Ses
D	8	50-04-0125	1N 4448	51	Ec;ITT;Ph;Ses;Tf
D	9	50-04-0125	1N 4448	51	Ec;ITT;Ph;Ses;Tf
IC	1	50-17-1761	74HC 541		Mot;NS;Ph;RCA;SOS;Tf;To
IC	2	50-17-1649	74HC 645		Mot;NS;Ph;RCA;SOS;Tf;To
IC	3	50-39-0107	HC4559 ND		NEC;Ra
IC	4	50-39-0107	HC4559 ND		NEC;Ra
IC	5	50-39-0107	HC4559 ND		NEC;Ra
IC	6	50-19-0134	MC6845ZP	HD6845Z, 56845Z	AMI;Hi;Mot
IC	7	50-19-0131	AS6 08008	M 08008	NEC
IC	8	50-17-1194	74HC 156	V-Req.	Mot;Nat;Ph;RCA;SOS;Tf;To
IC	9	50-10-0108	L4931 L2		Mot;Nat
IC	10	50-17-1207	74HC 02		Mot;Nat;Ph;RCA;SOS;Tf;To
IC	11	50-17-1223	74HC 123		Mot;NS;Ph;RCA;SOS;Tf;To
IC	12	50-05-0203	SN75463P	DS 3613 N	NS;Tf

S T U D E R (05) 04/12/12 ME TAPE DECK SERIAL IF 1-820-763-81 PAGE 1

END.	POS.NO.	PART NO.	VALUE	SPECIFICATIONS / EQUIVALENT	MANUF.
R	2	57-11-4562	5.6 kOhm	5%	
R	3	57-11-4562	5.6 kOhm	5%	
R	4	57-11-4103	10 kOhm	2%	
R	5	57-11-4102	1.5 kOhm	5%	
R	6	57-11-4102	1.5 kOhm	5%	
R	7	57-11-3303	10 kOhm	2%	
R	8	57-11-4103	10 kOhm	2%	
R	9	57-11-4822	8.2 kOhm	5%	
R	10	57-11-4822	8.2 kOhm	5%	
R	11	57-11-4822	8.2 kOhm	5%	
R	12	57-11-4102	1.0 kOhm	5%	
R	13	57-11-4332	3.3 kOhm	5%	
R	14	57-11-4332	3.3 kOhm	5%	
R	15	57-11-4822	8.2 kOhm	5%	
R	16	57-11-4822	8.2 kOhm	5%	
R	17	57-11-3303	10 kOhm	2%	
R	18	57-11-4562	5.6 kOhm	5%	
R	19	57-11-4562	5.6 kOhm	5%	
R	20	57-11-4103	10 kOhm	2%	
R	21	57-11-4102	1.5 kOhm	5%	
R	22	57-11-4102	1.5 kOhm	5%	
R	23	57-11-4103	10 kOhm	2%	
R	24	57-11-4822	8.2 kOhm	5%	
R	25	57-11-4822	8.2 kOhm	5%	
R	26	57-11-4822	8.2 kOhm	5%	
R	27	57-11-4332	3.3 kOhm	5%	
R	28	57-11-4332	3.3 kOhm	5%	
R	29	57-11-4332	3.3 kOhm	5%	
R	30	57-11-4332	3.3 kOhm	5%	
R	31	57-11-4822	8.2 kOhm	5%	
R	32	57-11-4822	8.2 kOhm	5%	
R	33	57-11-4822	8.2 kOhm	5%	
R	34	57-11-4971	470 Ohm	2%	
R	35	57-11-1222	1.2 kOhm	2%	
R	36	58-09-0101	500 Ohm	Potentiometer	see note 1
R	37	57-11-4104	100 kOhm	5%	
R	38	57-11-4104	100 kOhm	5%	

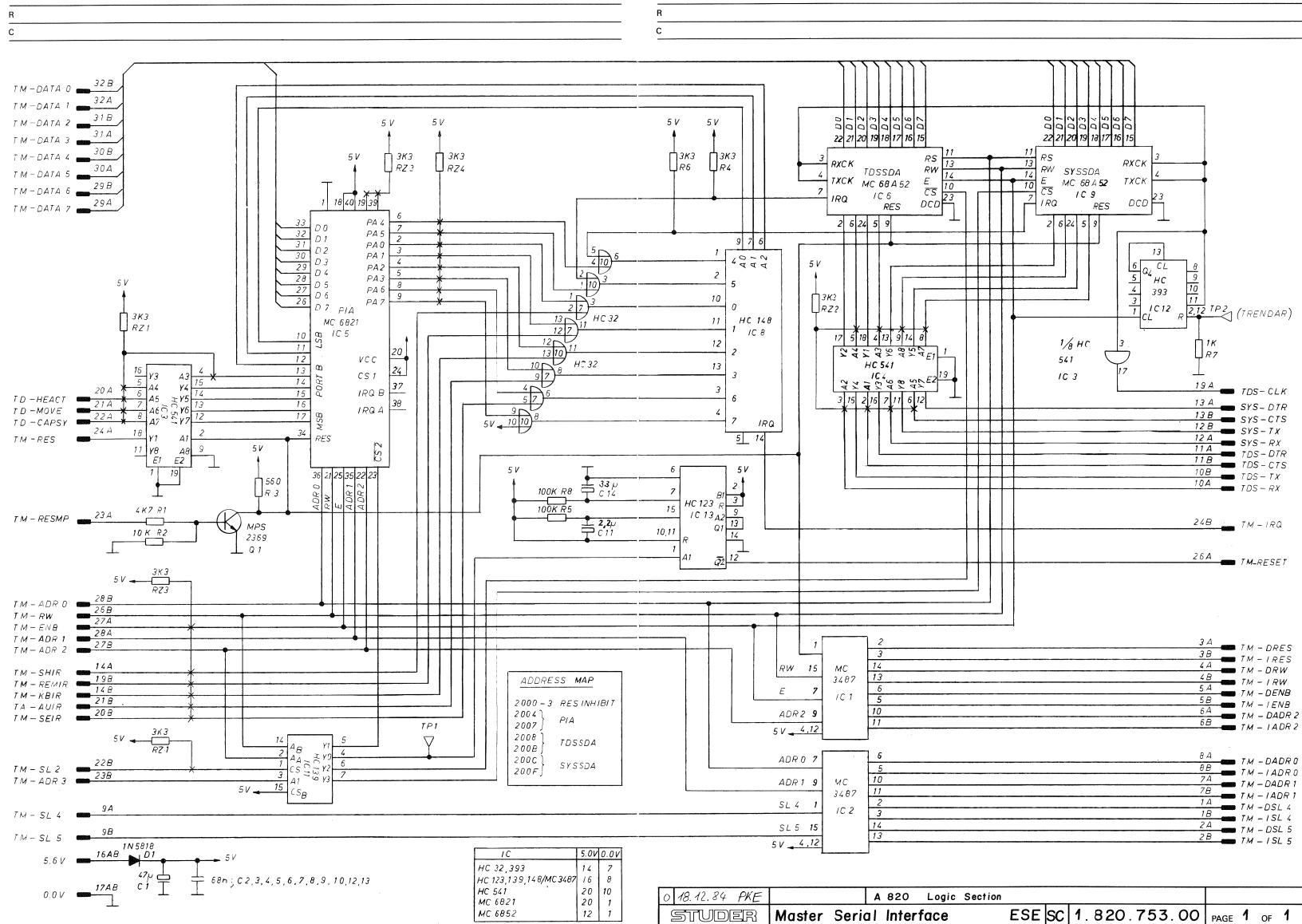
S T U D E R (00) 04/12/12 ME TAPE DECK SERIAL IF 1-820-763-81 PAGE 2

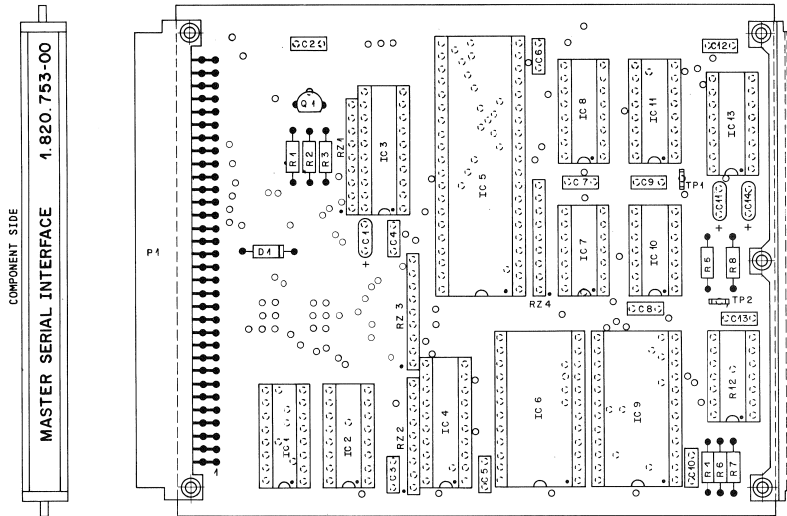
END.	POS.NO.	PART NO.	VALUE	SPECIFICATIONS / EQUIVALENT	MANUF.
R	2	57-88-4332	893-3kOhm	10%	
R	2	57-88-4332	893-3kOhm	10%	
R	3	57-88-4332	893-3kOhm	10%	not used
TP	1	54-02-0320	2.8P 0.8		soldering test pin
TP	2	54-02-0320	2.8P 0.8		soldering test pin
TP	3	54-02-0320	2.8P 0.8		soldering test pin

Note 1 - Potentiometer : 500 Ohm 10%, ±1% PMS
 Sourns 3296 Z - 1 - 501
 Spectral AS Z 501 T 000
 Murata PDI 3105 Z - 1 - 501
 Comtec IES 4C 501
 Manufacturer: AMI-American Microsystem Inc., Ec-Fairchild,
 Hi-Hitech, Mot-Motorola, Nat-National (Matsushita),
 NEC-Nippon Electric Corp., NS-National Semiconductors,
 Phi-Philips (incl. Valvo), Ra-Raytheon,
 RCA-RCA Corporation of America, SOS-Sococom,
 SSS-SGS/Aten, Tf-Texas Instrument, To-Toshiba.

ORIG 04/12/12
 S T U D E R (00) 04/12/12 ME TAPE DECK SERIAL IF 1-820-763-81 PAGE 3

MASTER SERIAL INTERFACE 1.820.753.00 PAGE 1





IND.	POS.NO.	PART NO.	VALUE	SPECIFICATIONS / EQUIVALENT	MANUF.
C****1		99.26.0030	47 uF	20%, 6.3V	Ph
C****2		99.00.0083	68 nF	20%	
C****3		99.00.0083	68 nF	20%	
C****4		99.00.0083	68 nF	20%	
C****5		99.00.0083	68 nF	20%	
C****6		99.00.0083	68 nF	20%	
C****7		99.00.0083	68 nF	20%	
C****8		99.00.0083	68 nF	20%	
C****9		99.00.0083	68 nF	20%	
C****10		99.00.0083	68 nF	20%	
C****11		99.26.5229	2.2 uF	20%, 6.3V	Ph
C****12		99.00.0083	68 nF	20%	
C****13		99.00.0083	68 nF	20%	
C****14		99.26.1330	33 uF	20%, 6.3V	Ph
D****1		90.04.0512	1N 5819	1N 5819	Not
IC****1		90.15.0105	MC 3487 P	DS 3487 N	Si
IC****2		90.15.0105	MC 3487 P	DS 3487 N	Si
IC****3		90.17.1561	74 HC 541		Ph, Mot, NS, RCA, To
IC****4		90.17.1561	74 HC 541		Ph, Mot, NS, RCA, To
IC****5		90.16.0106	MC8B 821P	F 68 A21P	Not, AME, FC
IC****6		90.16.0114	MC8B 852	HD8B A52, 568A52	Not, AME, FC
IC****7		90.17.1032	74 HC 32		Ph, Mot, NS, RCA, To
IC****8		90.17.1148	74 HC 148		Ph, Mot, NS, RCA, To
IC****9		90.16.0114	MC8B 852	HD8B A52, 568A52	Not, AME, FC
IC****10		90.17.1032	74 HC 32		Ph, Mot, NS, RCA, To
IC****11		90.17.1139	74 HC 139		Ph, Mot, NS, RCA, To
IC****12		90.17.1393	74 HC 393		Ph, Mot, NS, RCA, To
IC****13		90.17.1123	74 HC 123		Ph, Mot, NS, RCA, To
P****1		94.11.2004		Plug	see note 1
Q****1		90.03.0508	MPS 2369		Not
R****1		97.11.4472	4.7 kOhm	5%	
R****2		97.11.4103	10 kOhm	5%	
S T U D E R (00) 84/12/18 WE MASTER SERIAL INTERFACE 1.820.753.00 PAGE 1					

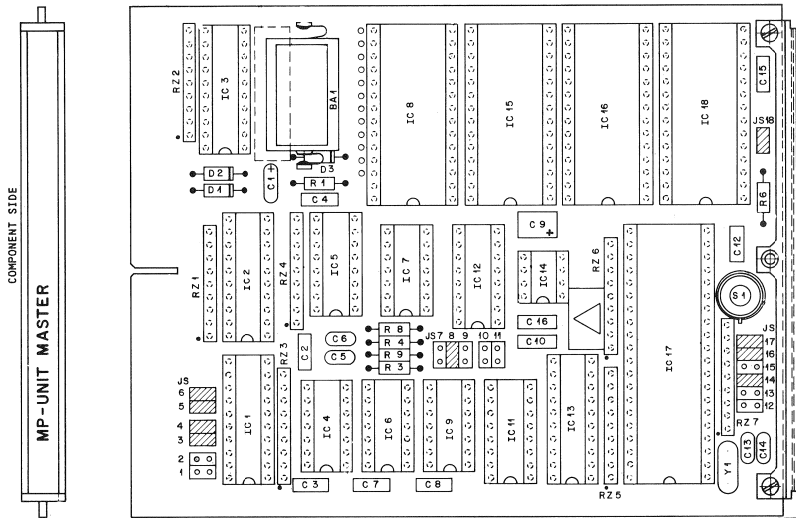
IND.	POS.NO.	PART NO.	VALUE	SPECIFICATIONS / EQUIVALENT	MANUF.
R****3		97.11.4561	560 Ohm	5%	
R****4		97.11.4312	3.3 kOhm	10%	
R****5		97.11.4104	100 kOhm	10%	
R****6		97.11.4312	3.3 kOhm	10%	
R****7		97.11.4102	1.0 kOhm	5%	
R****8		97.11.4126	100 kOhm	5%	
R****9		97.88.4312	3.3 kOhm	10%	see note 2
R****10		97.88.4332	3.3 kOhm	10%	see note 2
R****11		97.88.4332	3.3 kOhm	10%	see note 2
R****12		97.88.4332	3.3 kOhm	10%	see note 2
TP****1		94.02.0320		Testpoint	
TP****2		94.02.0320		Testpoint	

Note 1 - Plug : 2 x 32 Euro board
 Buerfy P1 66 B 20 P00 F00 I0
 Erni 9722.963.191

Note 2 - Network : 8 x 3.3 kOhm, 5%, single line
 Siliconix C09 3.3 K J
 Inmetro R88 3.3 K 5%

Manufacturers: AMT=American Microsystems Inc., Ec=Fairchild,
 H=Hitachi, Mot=Motorola, NS=National (Renesas),
 NS=National Semiconductors, Ph=Philips (incl. Volvo),
 RCA=Radio Corporation of America, Si=Siemens,
 To= Toshiba.

ORIG 84/12/18
 S T U D E R (00) 84/12/18 WE MASTER SERIAL INTERFACE 1.820.753.00 PAGE 2



IND.	POS.ND.	PART NO.	VALUE	SPECIFICATIONS / EQUIVALENT	MANUF.	IND.	POS.ND.	PART NO.	VALUE	SPECIFICATIONS / EQUIVALENT	MANUF.
B1	01	89-01-0235		BATTERY, 3-6V, LITHIUM	VAR	X1C	01	53-03-0166		IC-SOCKET, 8-PIN	ANY
C	01	59-26-0670	47k	10% 43V, SAL	ANY	X1C	02	53-03-0167		IC-SOCKET, 14-PIN	ANY
C	02	59-06-0683	68n	10% 63V, PEP	ANY	X1C	03	53-03-0167		IC-SOCKET, 14-PIN	ANY
C	03	59-06-0683	68n	10% 63V, PEP	ANY	X1C	04	53-03-0167		IC-SOCKET, 14-PIN	ANY
C	04	59-34-1151	150p	2% 50V, CER	ANY	X1C	05	53-03-0168		IC-SOCKET, 16-PIN	ANY
C	05	59-06-0683	68n	10% 63V, PEP	ANY	X1C	06	53-03-0168		IC-SOCKET, 16-PIN	ANY
C	06	59-34-1151	150p	2% 50V, CER	ANY	X1C	07	53-03-0168		IC-SOCKET, 16-PIN	ANY
C	07	59-06-0683	68n	10% 63V, PEP	ANY	X1C	08	53-03-0165		IC-SOCKET, 20-PIN	ANY
C	08	59-06-0683	68n	10% 63V, PEP	ANY	X1C	09	53-03-0165		IC-SOCKET, 20-PIN	ANY
C	09	59-26-2100	10k	20% 15V, SAL	ANY	X1C	10	53-03-0165		IC-SOCKET, 20-PIN	ANY
C	10	59-06-0683	68n	10% 63V, PEP	ANY	X1C	11	53-03-0165		IC-SOCKET, 20-PIN	ANY
C	11	59-06-0683	68n	10% 63V, PEP	ANY	X1C	12	53-03-0165		IC-SOCKET, 20-PIN	ANY
C	12	59-06-0683	68n	10% 63V, PEP	ANY	X1C	13	53-03-0173		IC-SOCKET, 28-PIN	ANY
C	13	59-34-2330	33p	20%	ANY	X1C	14	53-03-0173		IC-SOCKET, 28-PIN	ANY
C	14	59-34-2330	33p	20%	ANY	X1C	15	53-03-0173		IC-SOCKET, 28-PIN	ANY
C	15	59-06-0683	68n	10% 63V, PEP	ANY	X1C	16	53-03-0173		IC-SOCKET, 28-PIN	ANY
C	16	59-06-0104	100n	10% 63V, PEP	ANY	X1C	17	53-03-0172		IC-SOCKET, 40-PIN	ANY
D	01	50-04-0125		IN 4448	ANY	Y	01	89-01-0960	4-9152 MHz		ANY
D	02	50-04-0122		IN 5518	ANY						
D	03	50-04-0125		IN 4448	ANY						

ABBREVIATIONS:
 CER = CERAMIC / SAL = SOLDER ALUMINUM / PEP = POLYESTERFOL
 MANUFACTURER:
 SA = STUDER
 VAR = VARTA
 ORIG 86/10/10

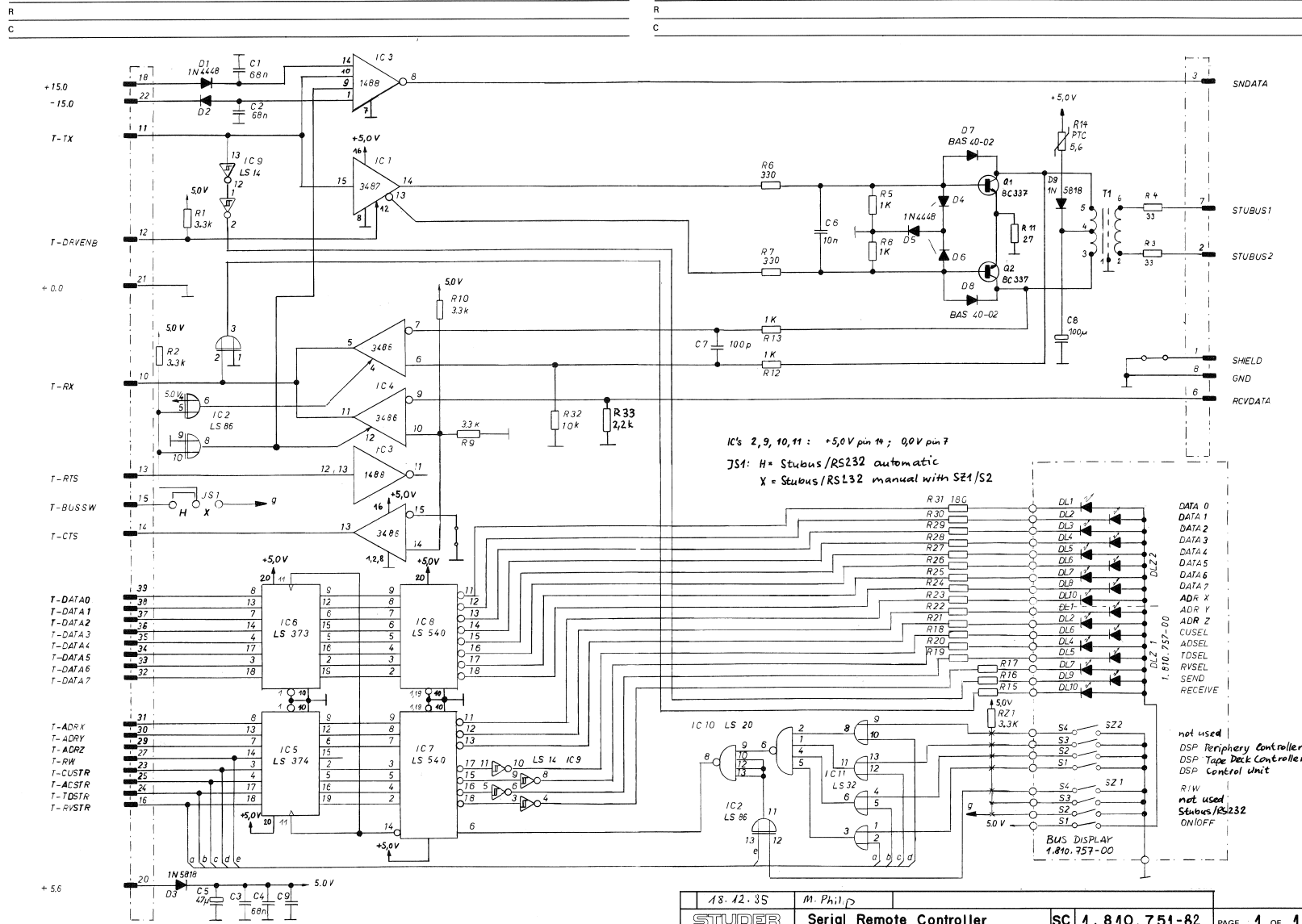
STUDER (00) 86/10/10 Sh MP-UNIT MASTER 1-861-818-20 PAGE 1

IND.	POS.ND.	PART NO.	VALUE	SPECIFICATIONS / EQUIVALENT	MANUF.
IC	17	50-16-0107		MC6803P-11 6803P-L	ANY
IC	18	50-14-0125		HN 4827128G-30, (GILBRODD) (18619502)	ANY
J	01	54-01-0021		JUMPER CONNECTOR	ANY
J	02	54-01-0021		JUMPER CONNECTOR	ANY
J	03	54-01-0021		JUMPER CONNECTOR	ANY
J	04	54-01-0021		JUMPER CONNECTOR	ANY
J	05	54-01-0021		JUMPER CONNECTOR	ANY
J	06	54-01-0021		JUMPER CONNECTOR	ANY
J	07	54-01-0021		JUMPER CONNECTOR	ANY
J	08	54-01-0021		JUMPER CONNECTOR	ANY
J	09	54-01-0021		JUMPER CONNECTOR	ANY
MP	01	1-861-818-01	1 PCS	NAME PLATE	SE
MP	02	28-21-1370		RIVETING NUT, M2-5	ANY
MP	03	28-21-1370		RIVETING NUT, M2-5	ANY
MP	04	28-21-1370		RIVETING NUT, M2-5	ANY
P	01	54-01-0020		SINGLE CONTACT PIN	ANY
P	02	54-01-0020		SINGLE CONTACT PIN	ANY
P	03	54-01-0020		SINGLE CONTACT PIN	ANY
P	04	54-01-0020		SINGLE CONTACT PIN	ANY
P	05	54-01-0020		SINGLE CONTACT PIN	ANY
P	06	54-01-0020		SINGLE CONTACT PIN	ANY
P	07	54-01-0020		SINGLE CONTACT PIN	ANY
P	08	54-01-0020		SINGLE CONTACT PIN	ANY
P	09	54-01-0020		SINGLE CONTACT PIN	ANY
P	10	54-01-0020		SINGLE CONTACT PIN	ANY
P	11	54-01-0020		SINGLE CONTACT PIN	ANY
P	12	54-01-0020		SINGLE CONTACT PIN	ANY
P	13	54-01-0020		SINGLE CONTACT PIN	ANY
P	14	54-01-0020		SINGLE CONTACT PIN	ANY
P	15	54-01-0020		SINGLE CONTACT PIN	ANY
P	16	54-01-0020		SINGLE CONTACT PIN	ANY
P	17	54-01-0020		SINGLE CONTACT PIN	ANY
P	18	54-01-0020		SINGLE CONTACT PIN	ANY
P	19	54-01-0020		SINGLE CONTACT PIN	ANY

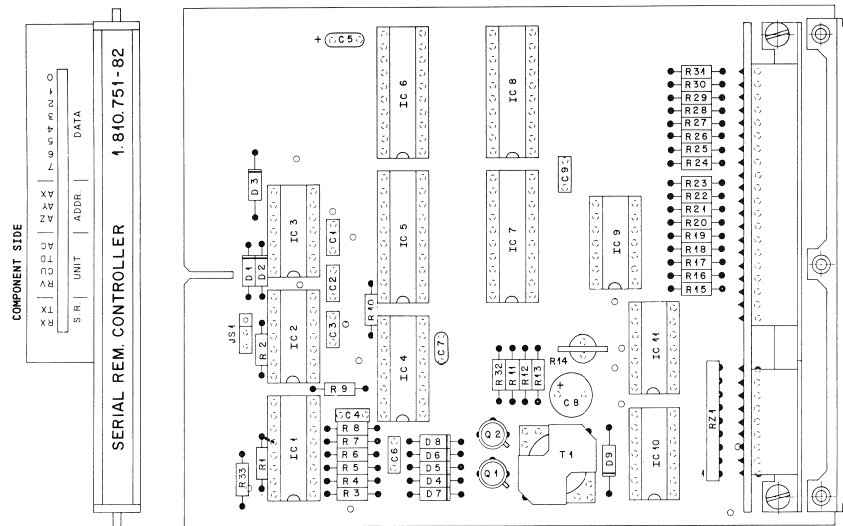
STUDER (00) 86/10/10 Sh MP-UNIT MASTER 1-861-818-20 PAGE 2

IND.	POS.ND.	PART NO.	VALUE	SPECIFICATIONS / EQUIVALENT	MANUF.
P	20	54-01-0020		SINGLE CONTACT PIN	ANY
P	21	54-01-0020		SINGLE CONTACT PIN	ANY
P	22	54-01-0020		SINGLE CONTACT PIN	ANY
P	23	54-01-0020		SINGLE CONTACT PIN	ANY
P	24	54-01-0020		SINGLE CONTACT PIN	ANY
P	25	54-01-0020		SINGLE CONTACT PIN	ANY
P	26	54-01-0020		SINGLE CONTACT PIN	ANY
P	27	54-01-0020		SINGLE CONTACT PIN	ANY
P	28	54-01-0020		SINGLE CONTACT PIN	ANY
P	29	54-01-0020		SINGLE CONTACT PIN	ANY
P	30	54-01-0020		SINGLE CONTACT PIN	ANY
P	31	54-01-0020		SINGLE CONTACT PIN	ANY
P	32	54-01-0020		SINGLE CONTACT PIN	ANY
P	33	54-01-0020		SINGLE CONTACT PIN	ANY
P	34	54-01-0020		SINGLE CONTACT PIN	ANY
P	35	54-01-0020		SINGLE CONTACT PIN	ANY
R	01	57-11-4332	3.3k	5%	ANY
R	02	57-11-4122	122k	5%	ANY
R	03	57-11-4122	122k	5%	ANY
R	04	57-11-4471	470	5%	ANY
R	05	57-11-4472	4.7k	5%	ANY
R	06	57-11-4472	4.7k	5%	ANY
RZ	01	57-88-4332	803-3k	SINGLE IN LINE	ANY
RZ	02	57-88-4332	803-3k	SINGLE IN LINE	ANY
RZ	03	57-88-4332	803-3k	SINGLE IN LINE	ANY
RZ	04	57-88-4332	803-3k	SINGLE IN LINE	ANY
RZ	05	57-88-4332	803-3k	SINGLE IN LINE	ANY
RZ	06	57-88-4332	803-3k	SINGLE IN LINE	ANY
RZ	07	57-88-4332	803-3k	SINGLE IN LINE	ANY
S	01	55-03-0122		CHICAGO SWITCH 34-550-001	ANY
X	01	89-01-0553		X-TAL 4-9152 MHz	ANY

STUDER (00) 86/10/10 Sh MP-UNIT MASTER 1-861-818-20 PAGE 3



18.12.83	M. Philp	SC 1.810.751-82	PAGE 1 OF 4
STUDER	Serial Remote Controller	SC 1.810.751-82	PAGE 1 OF 4



IND.	POS.NO.	PART NO.	VALUE	SPECIFICATIONS / EQUIVALENT	MANUF.
A.....1	1	1810-751-00		Bus display board	
C.....1	59-99-0205	68 nF	-20%	Ce	
C.....2	59-99-0203	68 nF	-20%	Ce	
C.....3	59-99-0205	68 nF	-20%	Ce	
C.....4	59-99-0203	68 nF	-20%	Ce	
C.....5	59-26-0473	47 uF	20% 6.3 V	50% PEFP	
C.....6	59-06-0103	10 uF			
C.....7	59-34-1101	100 uF	2%	Ce	
C.....8	59-22-1101	100 uF	10%	10 V	EL
C.....9	59-99-0205	68 nF	-20%	Ce	

D.....1	50-04-0125	1N4448		ITT+Phy Sem+TI	
D.....2	50-04-0125	1N4448		ITT+Phy Sem+TI	
D.....3	50-04-0511	1N5818		1N5819	Mot
D.....4	50-04-0125	1N4448		ITT+Phy Sem+TI	
D.....5	50-04-0125	1N4448		ITT+Phy Sem+TI	
D.....6	50-04-0125	1N4448		ITT+Phy Sem+TI	
D.....7	50-04-0127	BA185	BA540-02	Phy+Si	
D.....8	50-04-0127	BA185	BA540-02	Phy+Si	
D.....9	50-04-0511	1N5818	1N5819	1N5819	Mot

S T U D E R (00) 85/12/18 PHM SERIAL REMOTE CONTROLLER 1.810.751.82 PAGE 1

IND.	POS.NO.	PART NO.	VALUE	SPECIFICATIONS / EQUIVALENT	MANUF.
Q.....2	50-03-0433	BFR18			SGS
R.....1	57-11-4332	3.3 kOhm	2%		
R.....2	57-11-4332	3.3 kOhm	2%		
R.....3	57-11-4338	33 Ohm	2%		
R.....4	57-11-4338	33 Ohm	2%		
R.....5	57-11-4102	1 kOhm	2%		
R.....6	57-11-4332	330 Ohm	2%		
R.....7	57-11-4333	330 Ohm	2%		
R.....8	57-11-4101	1 kOhm	2%		
R.....9	57-11-4332	3.3 kOhm	2%		
R.....10	57-11-4332	3.3 kOhm	2%		
R.....11	57-11-4279	27 Ohm	2%		
R.....12	57-11-4102	1 kOhm	2%		
R.....13	57-09-0209	5.6 Ohm	2%		
R.....14	57-11-4188	180 Ohm	2%		
R.....15	57-11-4188	180 Ohm	2%		
R.....16	57-11-4188	180 Ohm	2%		
R.....17	57-11-4188	180 Ohm	2%		
R.....18	57-11-4188	180 Ohm	2%		
R.....19	57-11-4188	180 Ohm	2%		
R.....20	57-11-4188	180 Ohm	2%		
R.....21	57-11-4188	180 Ohm	2%		
R.....22	57-11-4188	180 Ohm	2%		
R.....23	57-11-4188	180 Ohm	2%		
R.....24	57-11-4188	180 Ohm	2%		
R.....25	57-11-4188	180 Ohm	2%		
R.....26	57-11-4188	180 Ohm	2%		
R.....27	57-11-4188	180 Ohm	2%		
R.....28	57-11-4188	180 Ohm	2%		
R.....29	57-11-4188	180 Ohm	2%		
R.....30	57-11-4188	180 Ohm	2%		
R.....31	57-11-4188	180 Ohm	2%		
R.....32	57-11-4103	10 kOhm	2%		
R.....33	57-11-4222	2.2 kOhm	2%		

S T U D E R (00) 85/12/18 PHM SERIAL REMOTE CONTROLLER 1.810.751.82 PAGE 2

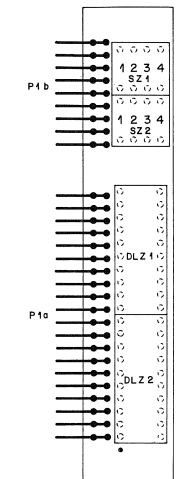
IND.	POS.NO.	PART NO.	VALUE	SPECIFICATIONS / EQUIVALENT	MANUF.
T.....1	1-022-223-00			Studio Bus Transformer	St

Note 1 - Contact pin: Studer Nr. 54-11-0126
 Bero Nr. 7529-18-16
 Metroplyst Nr. SL 1/25/36 Z
 Comate! Nr. 180-0355 36 440
 Bridge: Studer Nr. 54-01-0021
 Metroplyst Nr. S801 Z 0
 Comate! Nr. Z 030 946-1

Note 2 - Network: 8 @ 3.3 kOhm 5%
 Siewand Nr. C09 x 3.3 k J
 Ineltra Nr. R88 3.3 k 5%

Co=Ceramics; E1=Electrolytic; S=Solid aluminum; JETP=Polyester
 MANUFACTURER: AMD=Analogic Micro Devices; Fc=Fairchild;
 ITT=International; Mot=Motorola;
 NS=National Semiconductor; Ph=Philips; Soc=Socketum;
 SGS=SGS-Ates; Sim=Siemens; Sig=Signetics; St=Studer;
 TI=Texas Instruments.

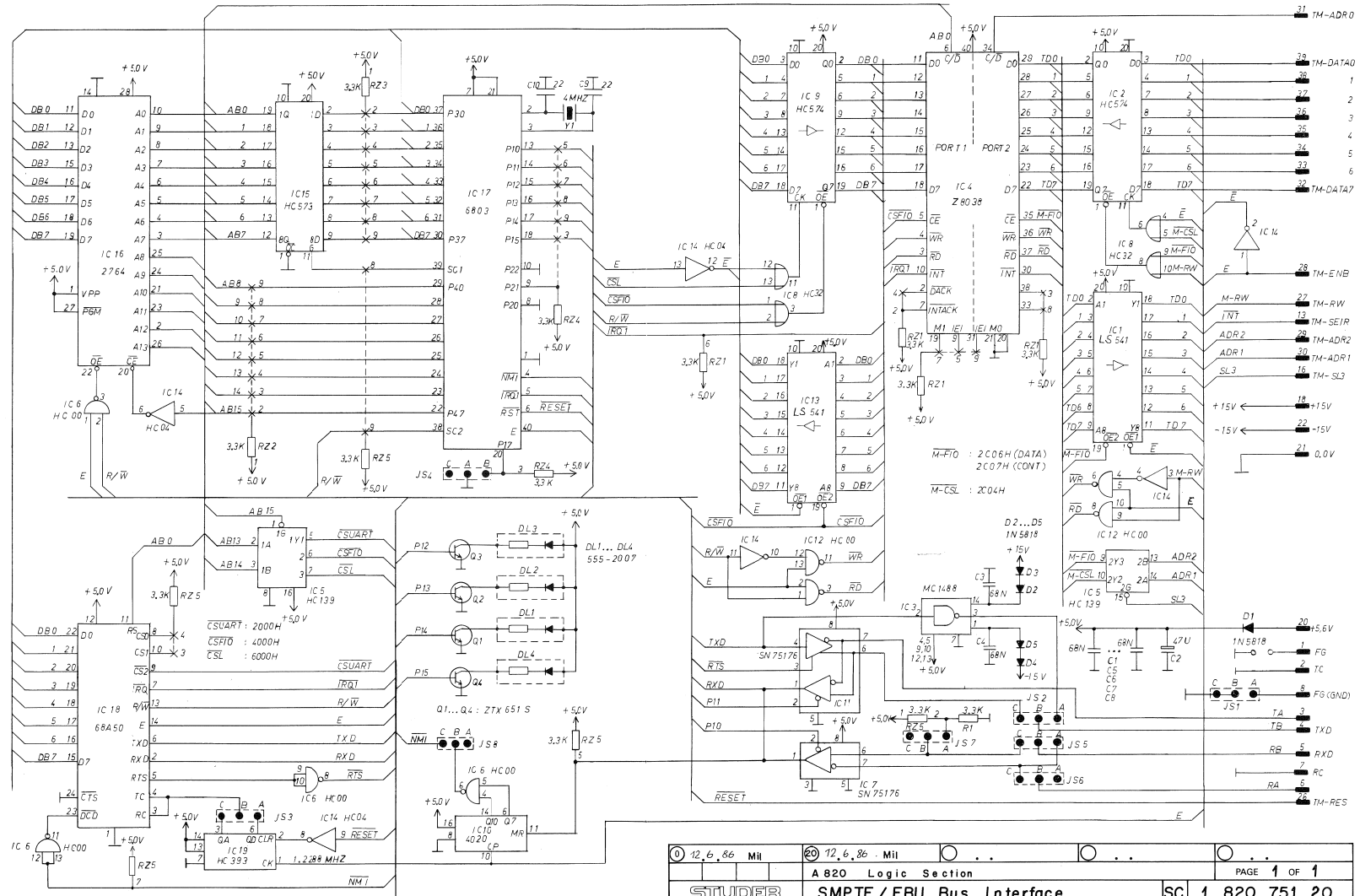
ORIG 85/12/18
 S T U D E R (00) 85/12/18 PHM SERIAL REMOTE CONTROLLER 1.810.751.82 PAGE 3



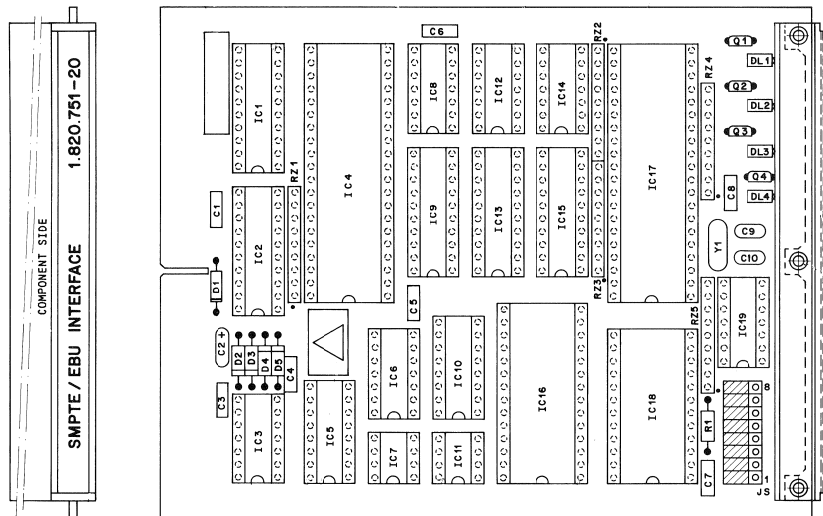
BUS DISPLAY PCB 1.810.757
 SOLDERED ONTO RS232/DATA
 SAVE INTERFACE 1.810.751

IND.	POS.NO.	PART NO.	VALUE	SPECIFICATIONS / EQUIVALENT	MANUF.
DR.....1	50-04-2134	MV5716AF		MV5716AG	GI
DR.....2	50-04-2134	MV5716AF		MV5716AG	GI
SZ.....1	55-01-0164			Switch Array; AMP 0-161 391-44 SAE 1004-692	
SZ.....2	55-01-0164			Switch Array; AMP 0-161 391-44 SAE 1004-692	
P.....1a	54-01-0761		20 cont.	AMP 1-103-740-9	
P.....1b	54-01-0720		9 cont.	AMP 103-740-7	

MANUFACTURER: C=General Instruments
 ORIG 82/06/23
 S T U D E R (00) 82/06/23 DSC BUS DISPLAY 1.810.751.00 PAGE 1



① 12,6,86 MII	② 12,6,86 MII	③	④	⑤	⑥	⑦	⑧	⑨	⑩	⑪	⑫	⑬	⑭	⑮	⑯	⑰	⑱	⑲	⑳	㉑	㉒	㉓	㉔	㉕	㉖	㉗	㉘	㉙	㉚	㉛	㉜	㉝	㉞	㉟	㊱	㊲	㊳	㊴	㊵	㊶	㊷	㊸	㊹	㊺	㊻	㊼	㊽	㊾	㊿
STUDER												A820 Logic Section												PAGE 1 OF 1																									
SMPTE/EBU Bus Interface												SC 1.820.751.20																																					



INSERTED:
 JS 1 ÷ 8

IND.	POS.ND.	PART NO.	VALUE	SPECIFICATIONS / EQUIVALENT	MANUF.
(20)	C.....1	59.06+0683	68 nF	10% RFP	
(20)	C.....2	59.26+0470	47 uF	20% 6.3V JAL	
(20)	C.....3	59.06+0683	68 nF	10% RFP	
(20)	C.....4	59.06+0683	68 nF	10% RFP	
(20)	C.....5	59.06+0683	68 nF	10% RFP	
(20)	C.....6	59.06+0683	68 nF	10% RFP	
(20)	C.....7	59.06+0683	68 nF	10% RFP	
(20)	C.....8	59.06+0683	68 nF	10% RFP	
(20)	C.....9	59.26+2200	22 uF	5% LER	
(20)	C.....10	59.34+2220	22 uF	5% LER	
(20)	D.....1	50.04+0512	IN 5818	IN 5819	MoT
(20)	D.....2	50.04+0125	IN 4448		FcITT+PhnSm+TF
(20)	D.....3	50.04+0125	IN 4448		FcITT+PhnSm+TF
(20)	D.....4	50.04+0125	IN 4448		FcITT+PhnSm+TF
(20)	UL.....1	50.04+2107	555-2007		Q1
(20)	UL.....2	50.04+2107	555-2007		Q1
(20)	UL.....3	50.04+2107	555-2007		Q1
(20)	UL.....4	50.04+2107	555-2007		Q1
(20)	IC.....1	50.40+0961	74 LS 541	--74 LS 541..	MoT+NS+PhRCA+SGS+TfTo
(20)	IC.....2	50.17+1574	74 HC 574	--74 HC 574..	MoT+NS+PhRCA+SGS+TfTo
(20)	IC.....3	50.13+0109	74 LS 541		MoT
(20)	IC.....4	50.13+0109	74 LS 541		MoT
(20)	IC.....5	50.17+1139	74 HC 139	--74 HC 139..	MoT+NS+PhRCA+SGS+TfTo
(20)	IC.....6	50.17+1100	74 HC 00	--74 HC 00..	MoT+NS+PhRCA+SGS+TfTo
(20)	IC.....7	50.13+0119	N4751TAP	55 3695 N	MoT+NS+PhRCA+SGS+TfTo
(20)	IC.....8	50.17+1032	74 HC 32	--74 HC 32..	MoT+NS+PhRCA+SGS+TfTo
(20)	IC.....9	50.17+1574	74 HC 574	--74 HC 574..	MoT+NS+PhRCA+SGS+TfTo
(20)	IC.....10	50.07+0520	M41620ZCP	---M41620ZCP---	MoT+NS+PhRCA+SGS+TfTo
(20)	IC.....11	50.13+0119	N4751TAP	55 3695 N	MoT+NS+PhRCA+SGS+TfTo
(20)	IC.....12	50.17+1032	74 HC 32	--74 HC 32..	MoT+NS+PhRCA+SGS+TfTo
(20)	IC.....13	50.06+0561	74 LS 561	--74 LS 561..	MoT+NS+PhRCA+SGS+TfTo
(20)	IC.....14	50.17+1032	74 HC 32	--74 HC 32..	MoT+NS+PhRCA+SGS+TfTo
(20)	IC.....15	50.17+1573	74 HC 573	--74 HC 573..	MoT+NS+PhRCA+SGS+TfTo

S T U D E R (20) 86/06/12 CM SMPT E / EBU INTERFACE 1.820.751.00 PAGE 1

IND.	POS.ND.	PART NO.	VALUE	SPECIFICATIONS / EQUIVALENT	MANUF.
(20)	IC.....16	50.14+0113	0 276A-3 276A ...	Hi+Te+SGS+Tf
(20)	IC.....16	14920+98020		Software 48025, SMPT E/EBU IF	SK
(20)	IC.....17	50.16+0107	M68093 P=1	H68093 P=1	Hi+MoT
(20)	IC.....18	50.16+0101	M68 A SOP	5.68 A SOP	ANI+MoT
(20)	IC.....19	50.17+1393	74 HC 393	--74 HC 393..	MoT+NS+PhRCA+SGS+TfTo
(20)	JS.....1			See note 1	
(20)	JS.....2			See note 1	
(20)	JS.....3			See note 1	
(20)	JS.....4			See note 1	
(20)	JS.....5			See note 1	
(20)	JS.....6			See note 1	
(20)	JS.....7			See note 1	
(20)	JS.....8			See note 1	
(20)	D.....1	50.03+0523	ZTX 651 S		Fc
(20)	D.....2	50.03+0523	ZTX 651 S		Fc
(20)	D.....3	50.03+0523	ZTX 651 S		Fc
(20)	D.....4	50.03+0523	ZTX 651 S		Fc
(20)	R.....1	57.11+4332	3.3 kOhm	5%	
(20)	RZ.....1	57.88+4332		see note 2	
(20)	RZ.....2	57.88+4332		see note 2	
(20)	RZ.....3	57.88+4332		see note 2	
(20)	RZ.....4	57.88+4332		see note 2	
(20)	RZ.....5	57.88+4332		see note 2	
(20)	Y.....1	89+01+0550		6.000 MHz ± 40 ppm	

S T U D E R (20) 86/06/12 CM SMPT E / EBU INTERFACE 1.820.751.00 PAGE 2

IND. POS.ND. PART NO. VALUE SPECIFICATIONS / EQUIVALENT MANUF.

Note 1 - Jumper switch

Contact Print	Studer Nr.	54.01.0020
	Berg Nr.	17 311-101-24
	Philips Nr.	2422 062 43241
	Farnip Nr.	45-1-03/05B-36 G-0.75u Au
Bridget	Studer Nr.	54.01.0001
	Berg Nr.	69 474-001
	Philips Nr.	2422 024 48003
	AMP Nr.	141 767-1

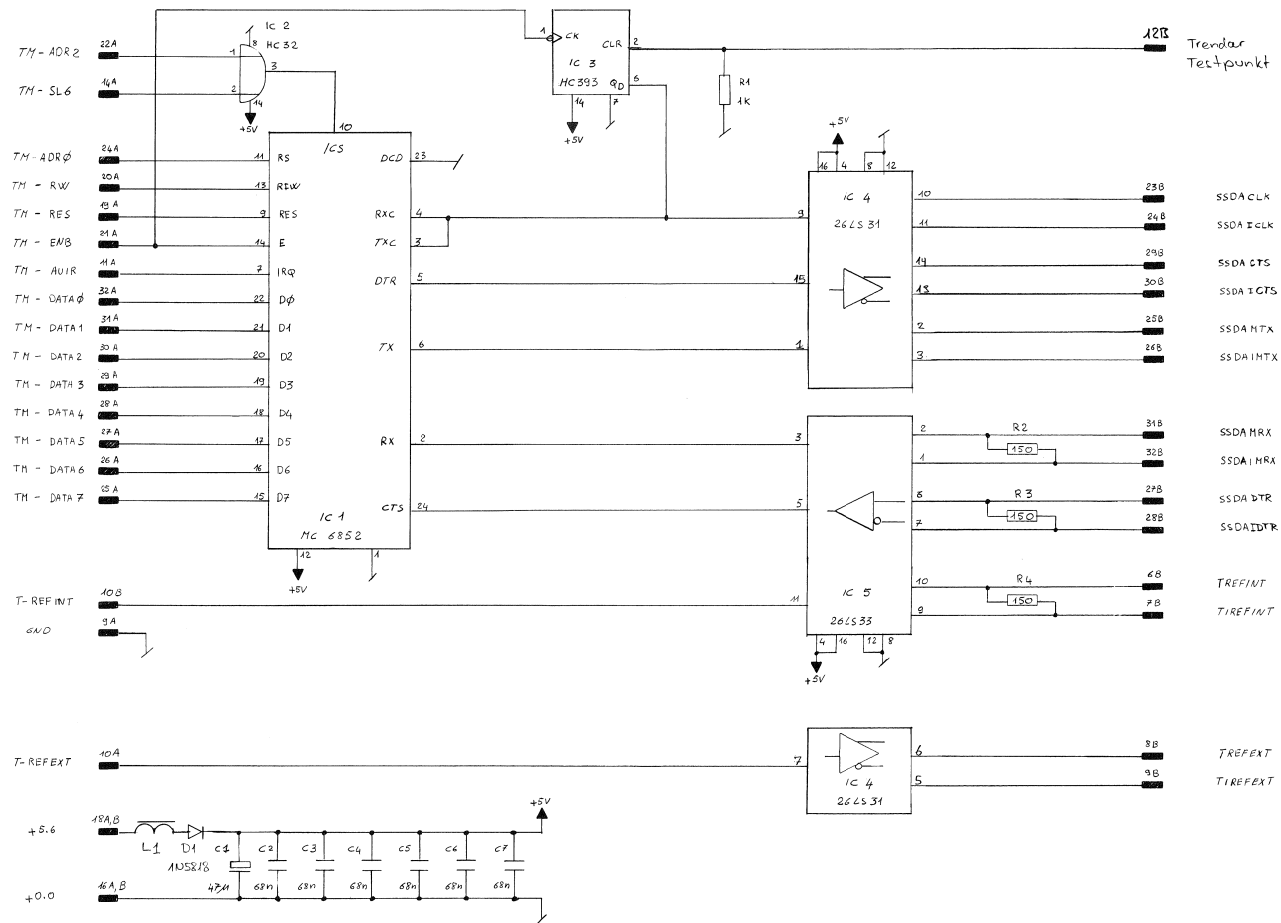
Note 2 - Resistor network 8 x 3.3 kOhm 5%

Bourns Nr.	4409 K - 101 332
Beckmann Nr.	L - 09 - 1 - R 3.3 k J
Sprague Nr.	256 C 332 2 90
Matsushita Nr.	F 9 E 3.3 k 5%
Tama Nr.	MFG C 09 X 3.3 k J

CE=Ceramic; PEPP=PolyesterFilm; SAL=Solid Aluminium

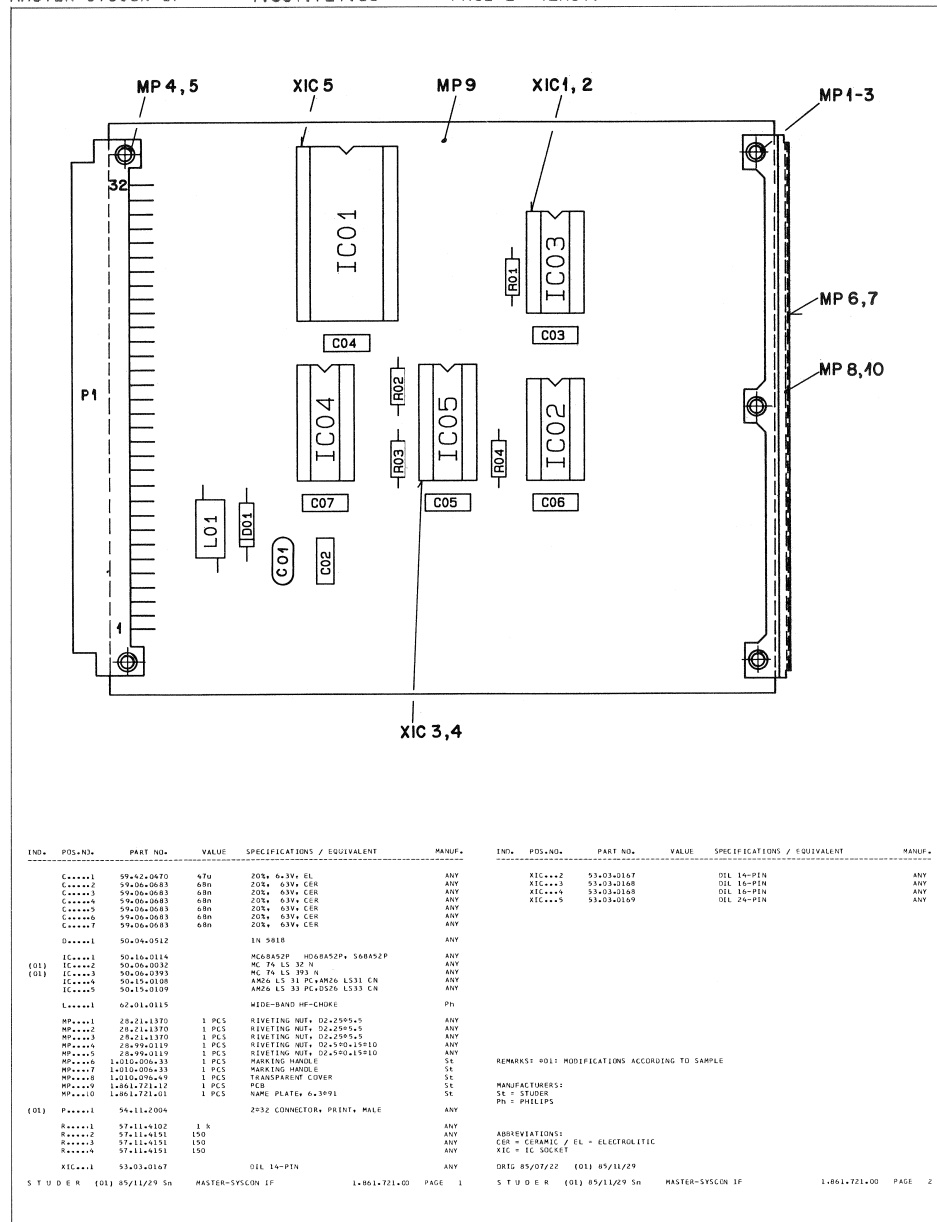
MANUFACTURERS: AM=Advanced Micro Devices; AMS=American Microsystems Inc.; Di=Diaco; Fc=Fairchild; Fe=Ferranti; Hi=Hitachi; Ic=Intel; IT=Intermetec; Mo=Motorola; NS=National Semiconductor; Ph=Philips; ACA=CA Corporation; Sgs=SGS/Ates; St=Studer; Tf=Telefunken; TI=Texas Instruments; To= Toshiba; Y=Yagi

DRG 86/06/12
 S T U D E R (20) 86/06/12 CM SMPT E / EBU INTERFACE 1.820.751.00 PAGE 3



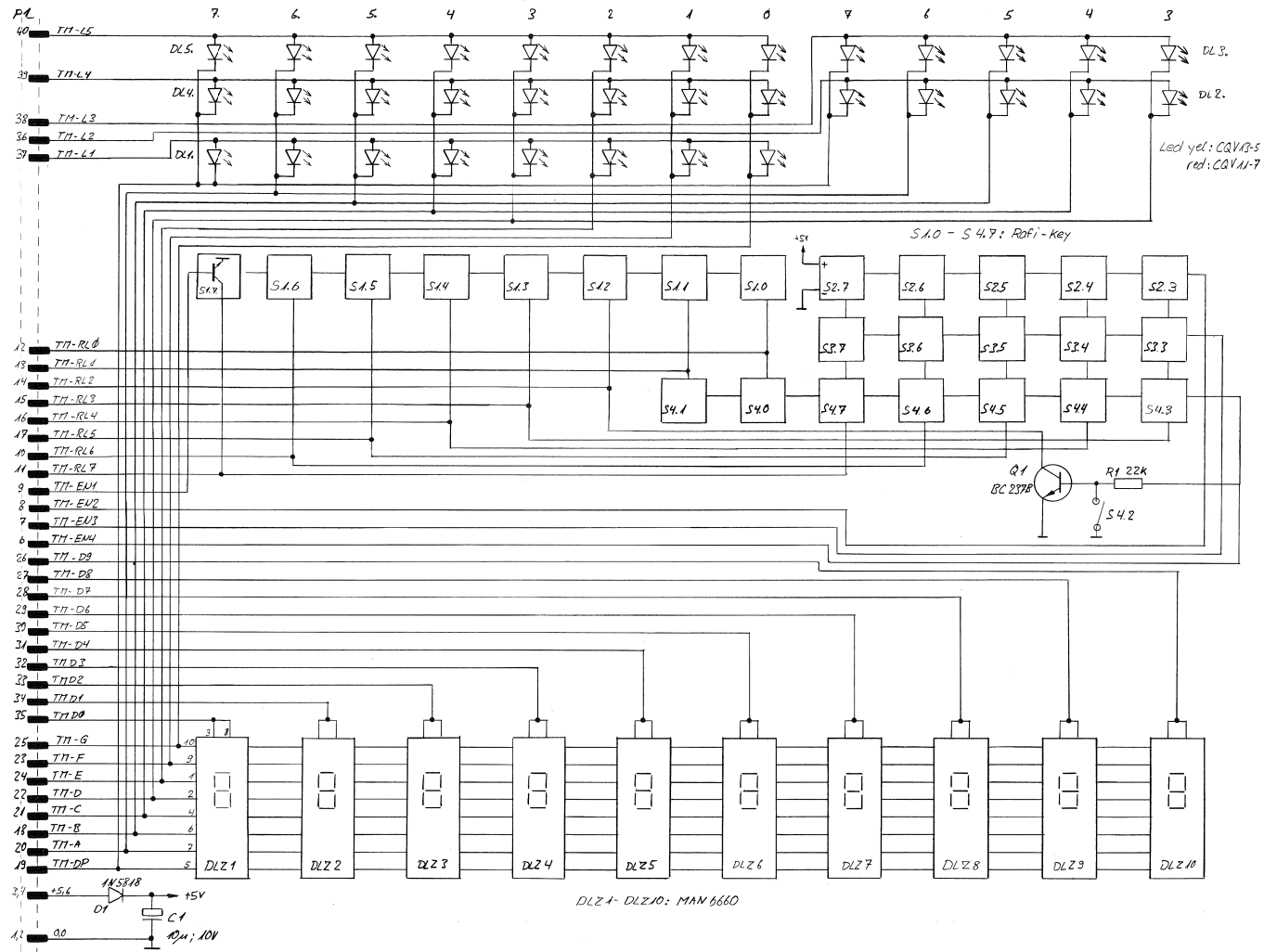
0	01.401.815 Magnifon	PAGE 4 OF 4	1.861.721.00
STUDER		D820X	
		MASTER-SYSCON IF	

MASTER-SYSCON IF 1.861.721.00 PAGE 2 (LAST)



IND.	POS.ND.	PART NO.	VALUE	SPECIFICATIONS / EQUIVALENT	MANUF.	IND.	POS.ND.	PART NO.	VALUE	SPECIFICATIONS / EQUIVALENT	MANUF.
C	...	594240K70	K70	20%, 63V, EL	ANY	XIC	...	53-03-0167	DEL 14-PIN	ANY	
C	...	594060883	88n	20%, 63V, CER	ANY	XIC	...	53-03-0168	DEL 18-PIN	ANY	
C	...	594060883	88n	20%, 63V, CER	ANY	XIC	...	53-03-0169	DEL 24-PIN	ANY	
C	...	594060883	88n	20%, 63V, CER	ANY						
C	...	594060883	88n	20%, 63V, CER	ANY						
C	...	594060883	88n	20%, 63V, CER	ANY						
C	...	594060883	88n	20%, 63V, CER	ANY						
D	...	50-04-0512	1N 5818		ANY						
IC	...	50-14-0114	MC8852P	HD68A52P, 568852P	ANY						
IC	...	50-06-0032	MC 74 LS 32 N		ANY						
IC	...	50-06-0099	MC 74 LS 393 N		ANY						
IC	...	50-15-0108	AR26 LS 31 PC-AR26 LS33 CN		ANY						
IC	...	50-15-0109	AR26 LS 33 PC-AR26 LS33 CN		ANY						
L	...	02-01-0145		WIDE-BAND HP-CARD	Ph						
MP	...	29-21-1330	1 PCS	RIEVETING NUT, D2-2585-5	ANY						
MP	...	29-21-1370	1 PCS	RIEVETING NUT, D2-2585-5	ANY						
MP	...	29-21-1370	1 PCS	RIEVETING NUT, D2-2585-5	ANY						
MP	...	28-99-0119	1 PCS	RIEVETING NUT, D2-540-15910	ANY						
MP	...	28-99-0119	1 PCS	RIEVETING NUT, D2-540-15910	ANY						
MP	...	1-010-096-33	1 PCS	MARKING HANDLE	SE						
MP	...	1-010-096-33	1 PCS	MARKING HANDLE	SE						
MP	...	1-010-096-49	1 PCS	TRANSPARENT COVER	SE						
MP	...	1-010-096-17	1 PCS	REB	SE						
MP	...	1-861-721-17	1 PCS	NAME PLATE, 6.3891	SE						
MP	...	1-861-721-01	1 PCS	NAME PLATE, 6.3891	SE						
P	...	54-11-2004		2932 CONNECTOR, PRENT, MALE	ANY						
R	...	57-11-4102	1 N		ANY						
R	...	57-11-4151	150		ANY						
R	...	57-11-4151	150		ANY						
R	...	57-11-4151	150		ANY						
XIC	...	53-03-0167		DEL 14-PIN	ANY						

PUBLISHED: 09/86



2. 7.05 86

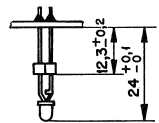
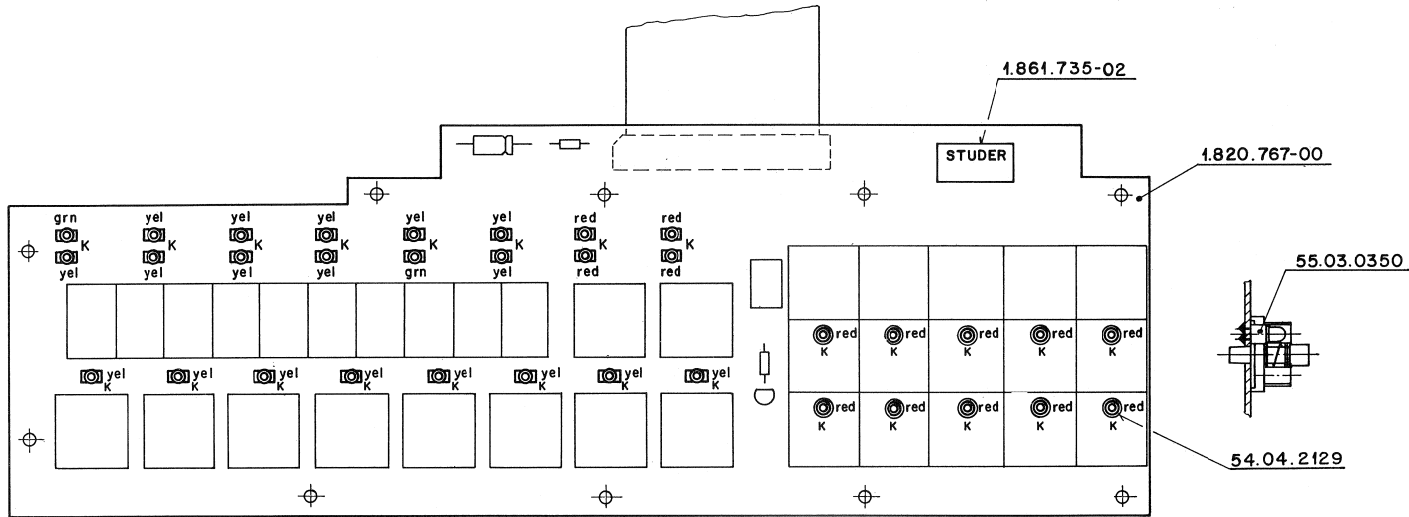
D820X

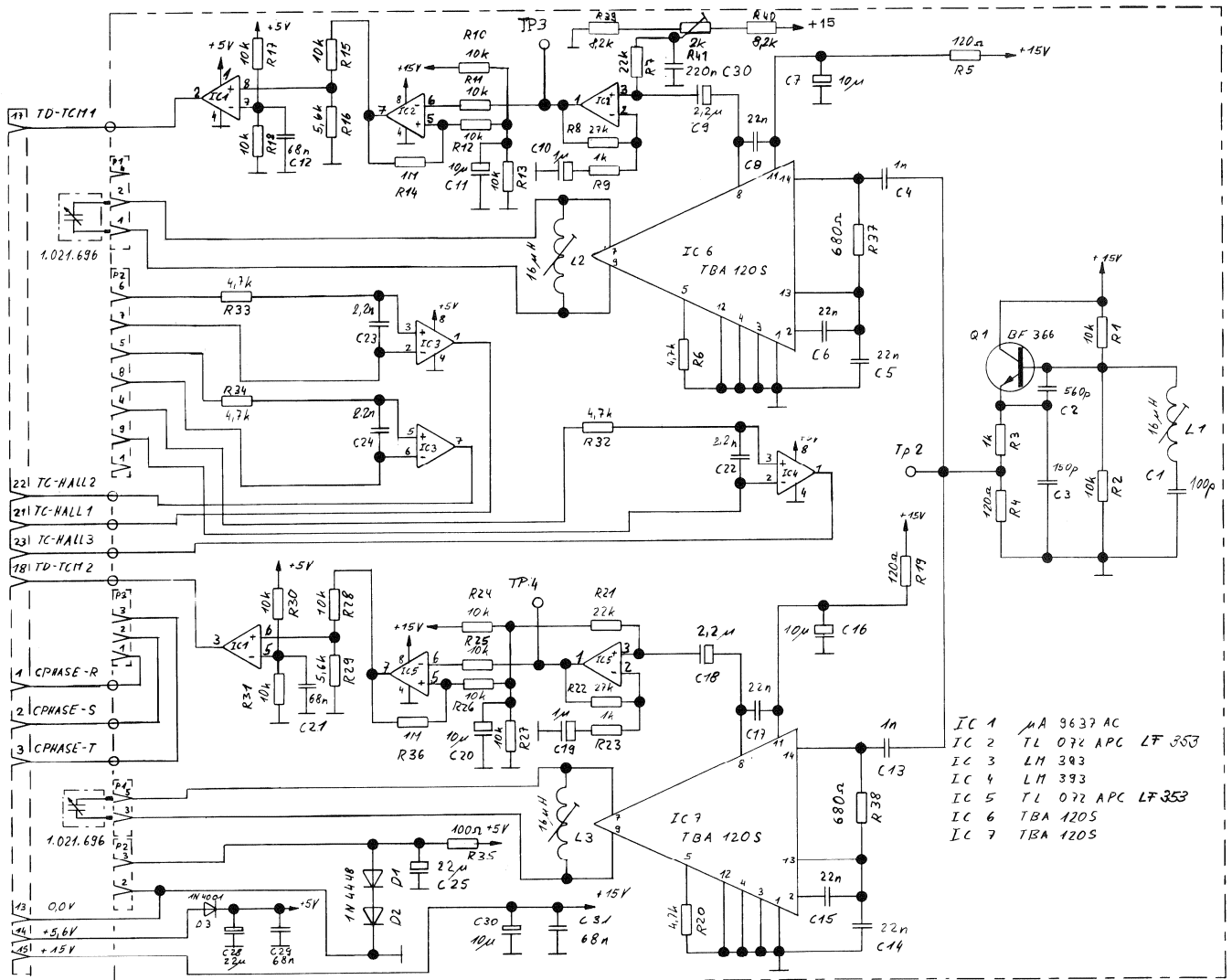
PAGE 1 OF 1

1.861.735.00

STUDER

Pushbutton / Display Board



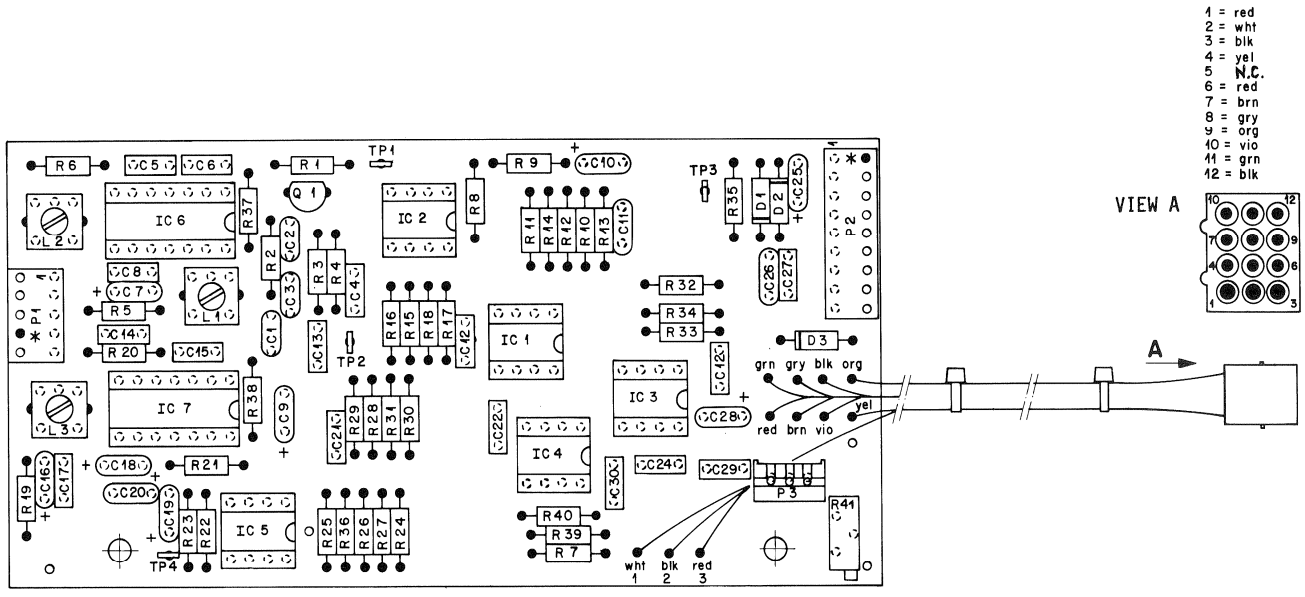


① 4.12.84 Buk	○ . . .	○ . . .	○ . . .	○ . . .
A 820 Tape Transport Section			PAGE 1 OF 1	
STUDER	Tacho Sensor Electronics PCB		SC	1.021.695.81

TACHO SENSOR ELECTRONICS

1.021.695.81

PAGE 2 (LAST)

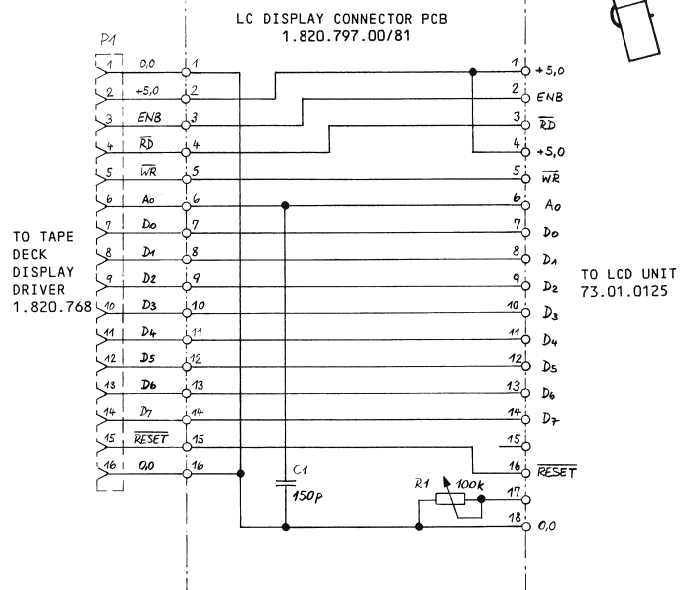
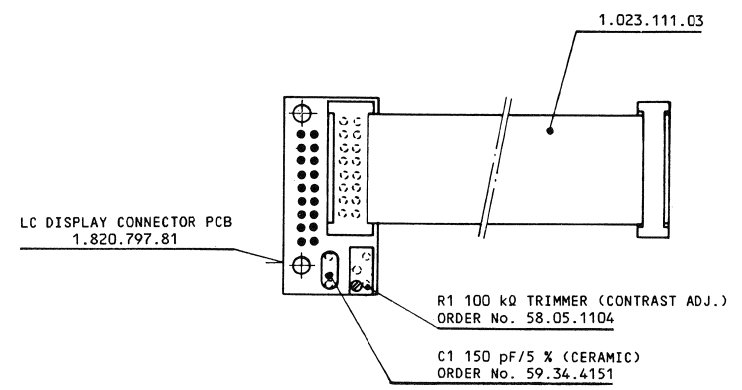
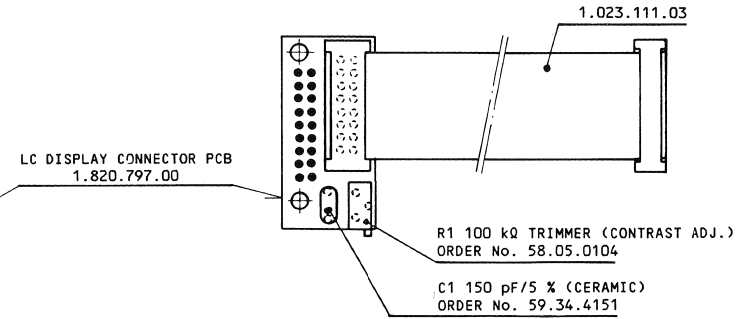
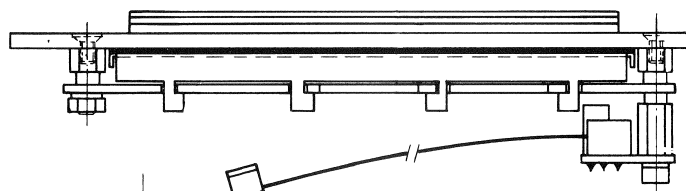
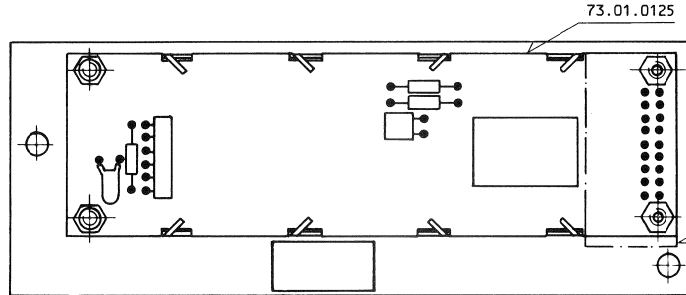
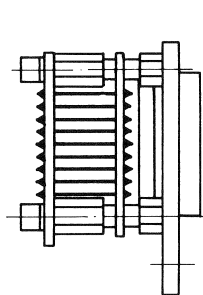


IND.	POS.NO.	PART NO.	VALUE	SPECIFICATIONS / EQUIVALENT	MANUF.	IND.	POS.NO.	PART NO.	VALUE	SPECIFICATIONS / EQUIVALENT	MANUF.
C.....1	59.34.4101	100 pF	5%	N750, CE		R....22	57.11.4273	27 kOhm	5%		
C.....2	59.34.5561	560 pF	5%	63V, CE		R....23	57.11.4102	1 kOhm	5%		
C.....3	59.34.4151	150 pF	5%	N750, CE		R....24	57.11.4103	10 kOhm	5%		
C.....4	59.06.0102	1 nF	10%	63V, PETP		R....25	57.11.4103	10 kOhm	5%		
C.....5	59.06.0223	22 nF	10%	63V, PETP		R....26	57.11.4103	10 kOhm	5%		
C.....6	59.06.0223	22 nF	10%	63V, PETP		R....27	57.11.4103	10 kOhm	5%		
C.....7	59.26.2100	10 uF	20%	16V, EL		R....28	57.11.4103	10 kOhm	5%		
C.....8	59.06.0223	22 nF	10%	63V, PETP		R....29	57.11.4562	5.6 kOhm	5%		
C.....9	59.26.5229	2.2 uF	20%	25V, EL		R....30	57.11.4103	10 kOhm	5%		
C.....10	59.26.9109	1 uF	20%	40V, EL		R....31	57.11.4103	10 kOhm	5%		
C.....11	59.26.2100	10 uF	20%	16V, EL		R....32	57.11.4472	4.7 kOhm	5%		
C.....12	59.06.0683	68 nF	10%	63V, PETP		R....33	57.11.4472	4.7 kOhm	5%		
C.....13	59.06.0102	1 nF	10%	63V, PETP		R....34	57.11.4472	4.7 kOhm	5%		
C.....14	59.06.0223	22 nF	10%	63V, PETP		R....35	57.11.4101	100 Ohm	5%		
C.....15	59.06.0223	22 nF	10%	63V, PETP		R....36	57.11.4105	1 MOhm	5%		
C.....16	59.26.2100	10 uF	20%	16V, EL		R....37	57.11.4681	680 Ohm	5%		
C.....17	59.06.0223	22 nF	10%	63V, PETP		R....38	57.11.4681	680 Ohm	5%		
C.....18	59.26.5229	2.2 uF	20%	25V, EL		R....39	57.11.4822	8.2 kOhm	5%		
C.....19	59.26.9109	1 uF	20%	40V, EL		R....40	57.11.4822	8.2 kOhm	5%		
C.....20	59.26.2100	10 uF	20%	16V, EL		R....41	58.05.0202	2 kOhm	10%		see Note 1
C.....21	59.06.0683	68 nF	10%	63V, PETP		TP....1	29.21.6002				Testpoint
C.....22	59.06.0222	2.2 nF	10%	63V, PETP		TP....2	29.21.6002				Testpoint
C.....23	59.06.0222	2.2 nF	10%	63V, PETP		TP....3	29.21.6002				Testpoint
C.....24	59.06.0222	2.2 nF	10%	63V, PETP		TP....4	29.21.6002				Testpoint
C.....25	59.26.1220	22 uF	20%	10V, EL							
C.....26	59.26.1220	22 uF	20%	10V, EL							
C.....27	59.06.0683	68 nF	10%	63V, PETP							
C.....28	59.26.2100	10 uF	20%	16V, EL							
C.....29	59.06.0683	68 nF	10%	63V, PETP							
C.....30	59.06.0224	220 nF	10%	63V, PETP							
D....1	50.04.0125	1N 4448			Fc+ITT+Ph+SeS+TF						
D....2	50.04.0125	1N 4448			Fc+ITT+Ph+SeS+TF						
D....3	50.04.0122	1N 4001		(to 4004)	Mot						
IC....1	50.15.0114	UA963TACP		9637 ATC		Fc+TI					
IC....2	50.09.0101	LF 353 N		TL 072 CP	NS+TI						

S T U D E R (00) 84/12/04 BUK TACHO SENS. EL. BOARD 1.021.695.81 PAGE 1 S T U D E R (00) 84/12/04 BUK TACHO SENS. EL. BOARD 1.021.695.81 PAGE 3

IND.	POS.NO.	PART NO.	VALUE	SPECIFICATIONS / EQUIVALENT	MANUF.	IND.	POS.NO.	PART NO.	VALUE	SPECIFICATIONS / EQUIVALENT	MANUF.
IC....3	50.05.0283	LM 393 N		LM 393 P	NS+TI						
IC....4	50.05.0283	LM 393 N		LM 393 P	NS+TI						
IC....5	50.09.0101	LF 353 N		TL 072 CP	NS+TI						
IC....6	50.11.0107	TBA 1205			Sie	Note 1:	Pot: Bourns, Nr.: 3296 Z-1-202				
IC....7	50.11.0107	TBA 1205			Sie		Spectrol, Nr.: 84 Z 202 T 000				
							Murata, Nr.: Pot 3105 Z-1-202				
L....1	1.022.222.00	16 mH		HF-COIL	St	Note 2:	Plug: 5-Pin AMP, Nr.: --163.680-3				
L....2	1.022.222.00	16 mH		HF-COIL	St	Note 3:	Plug: 9-Pin AMP, Nr.: --163.680-7				
L....3	1.022.222.00	16 mH		HF-COIL	St	Note 4:	Plug: 3-Pin Burndy, Nr.: MWP 3P-1B				
P....1	54.01.0288			see Note 2							
P....2	54.01.0217			see Note 3							
P....3	54.14.5005			see Note 4							
Q....1	50.03.0514	BF 366			Mot						
R....1	57.11.4103	10 kOhm	5%								
R....2	57.11.4103	10 kOhm	5%								
R....3	57.11.4102	1 kOhm	5%								
R....4	57.11.4121	120 Ohm	5%								
R....5	57.11.4121	120 Ohm	5%								
R....6	57.11.4472	4.7 kOhm	5%								
R....7	57.11.4223	22 kOhm	5%								
R....8	57.11.4273	27 kOhm	5%								
R....9	57.11.4102	1 kOhm	5%								
R....10	57.11.4103	10 kOhm	5%								
R....11	57.11.4103	10 kOhm	5%								
R....12	57.11.4103	10 kOhm	5%								
R....13	57.11.4103	10 kOhm	5%								
R....14	57.11.4105	1 MOhm	5%								
R....15	57.11.4103	10 kOhm	5%								
R....16	57.11.4562	5.6 kOhm	5%								
R....17	57.11.4103	10 kOhm	5%								
R....18	57.11.4103	10 kOhm	5%								
R....19	57.11.4121	120 Ohm	5%								
R....20	57.11.4472	4.7 kOhm	5%								
R....21	57.11.4223	22 kOhm	5%								

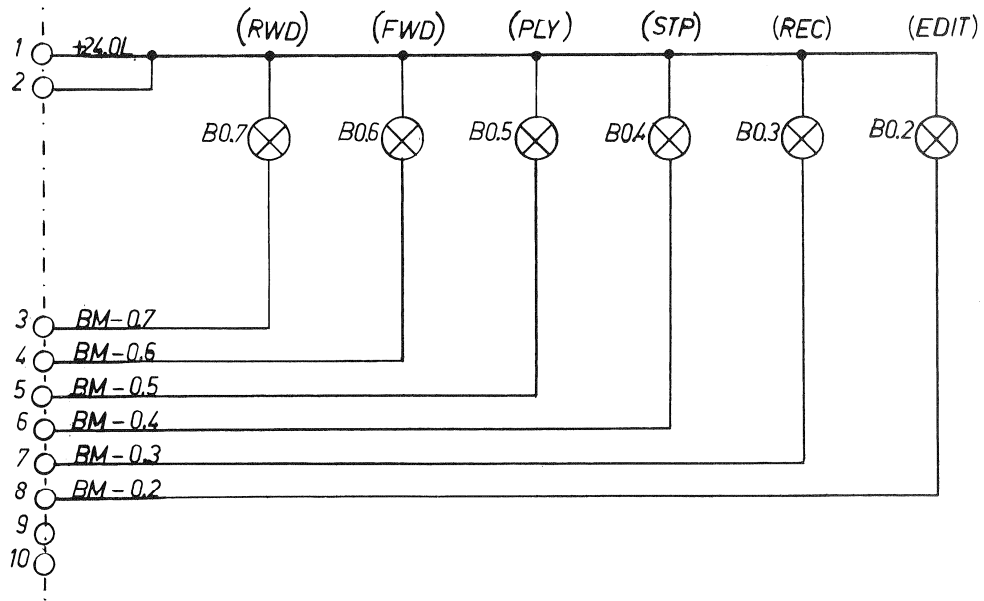
S T U D E R (00) 84/12/04 BUK TACHO SENS. EL. BOARD 1.021.695.81 PAGE 2 S T U D E R (00) 84/12/04 BUK TACHO SENS. EL. BOARD 1.021.695.81 PAGE 4



PUSHBUTTON ASSEMBLY

1.820.240.00

PAGE 1



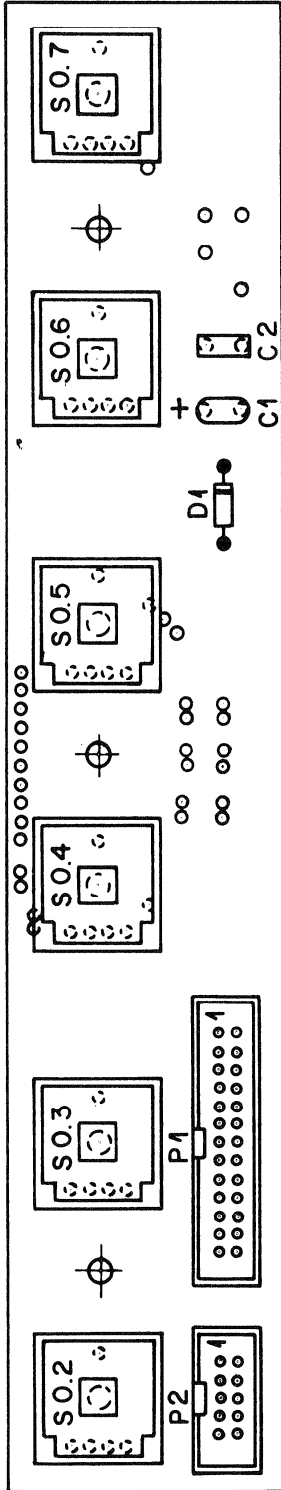
B 0.2 - B 0.7: 24V / 0.04A T 5.5
 XB 0.2 - XB 0.7: LAMP HOLDER

23.11.84 R.SUTER	A 820 Command Section	
STUDER	Tape Deck Indicator PCB SC 1.820.766.00	PAGE 1 OF 1

PUSHBUTTON ASSEMBLY

1.820.240.00

PAGE 2



IND.	POS.NO.	PART NO.	VALUE	SPECIFICATIONS / EQUIVALENT	MANUF.
C.....1		59.26.1479	4.7 uF	-20%, 10V + Sal	Ph
C.....2		59.06.0683	68 nF	-10%, 63V + PETP	
D.....1		50.04.0512	1 N 5818	1 N 5819	Mot
P.....1		54.14.2003		see note 1	
P.....2		54.14.2001		see note 2	
S.....2		55.03.0261		Pushbutton switch, RAFI nr. 3.13001.110	
S.....3		55.03.0261		Pushbutton switch, RAFI nr. 3.13001.110	
S.....4		55.03.0261		Pushbutton switch, RAFI nr. 3.13001.110	
S.....5		55.03.0261		Pushbutton switch, RAFI nr. 3.13001.110	
S.....6		55.03.0261		Pushbutton switch, RAFI nr. 3.13001.110	
S.....7		55.03.0261		Pushbutton switch, RAFI nr. 3.13001.110	

Note 1 - connector 26 contacts: Yamaichi nr. FAP-26-0884
 Burndy nr. BPH 9 B 26 B00 GS

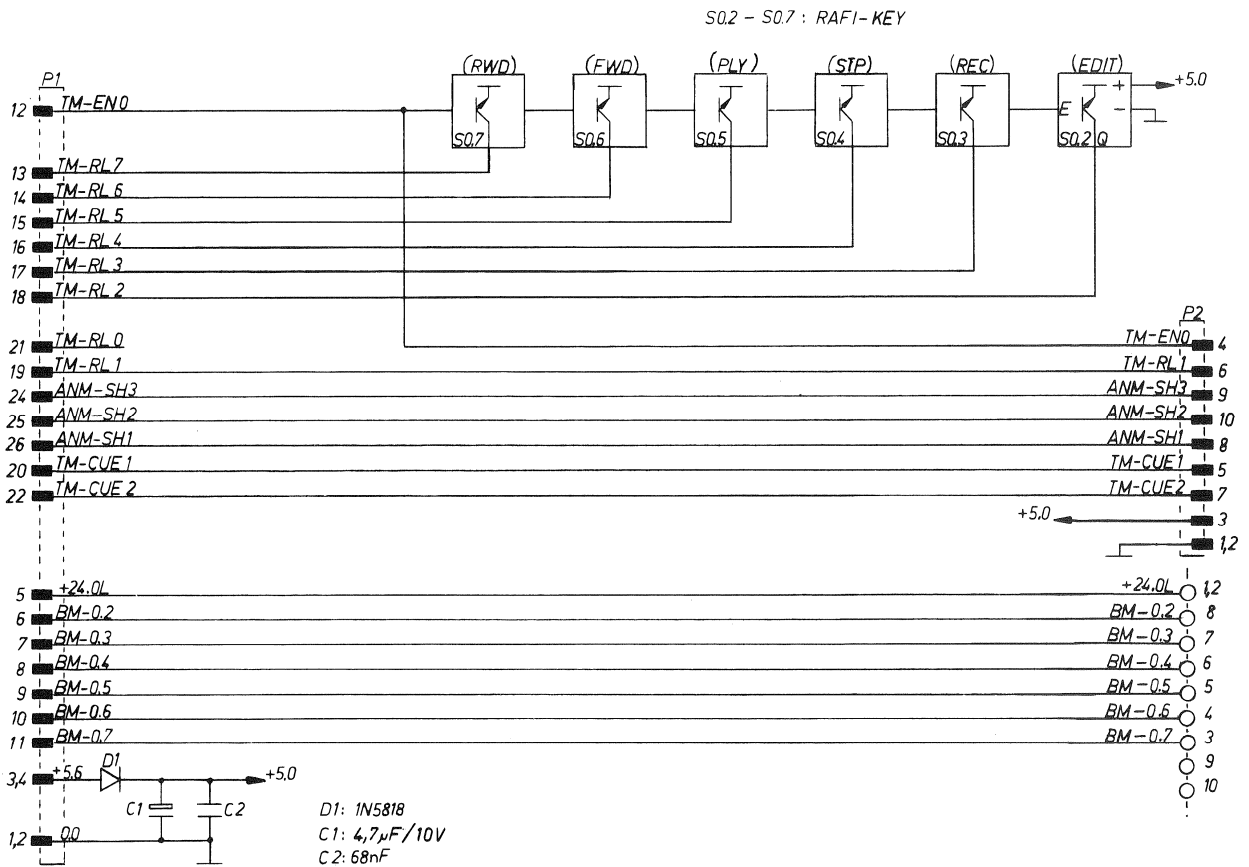
Note 2 - connector 10 contacts: Yamaichi nr. FAP-10-0884
 Burndy nr. BPH 7 B 10 B00 GS

Sal=Solid Aluminium, PETP=Metallized Polyesterfilm

MANUFACTURER: Mot=Motorola, Ph=Philips

ORIG 84/11/23

S T U D E R (00) 84/11/23 CHE TAPE DECK PUSHBUTTON BOARD 1.820.769.00 PAGE 1

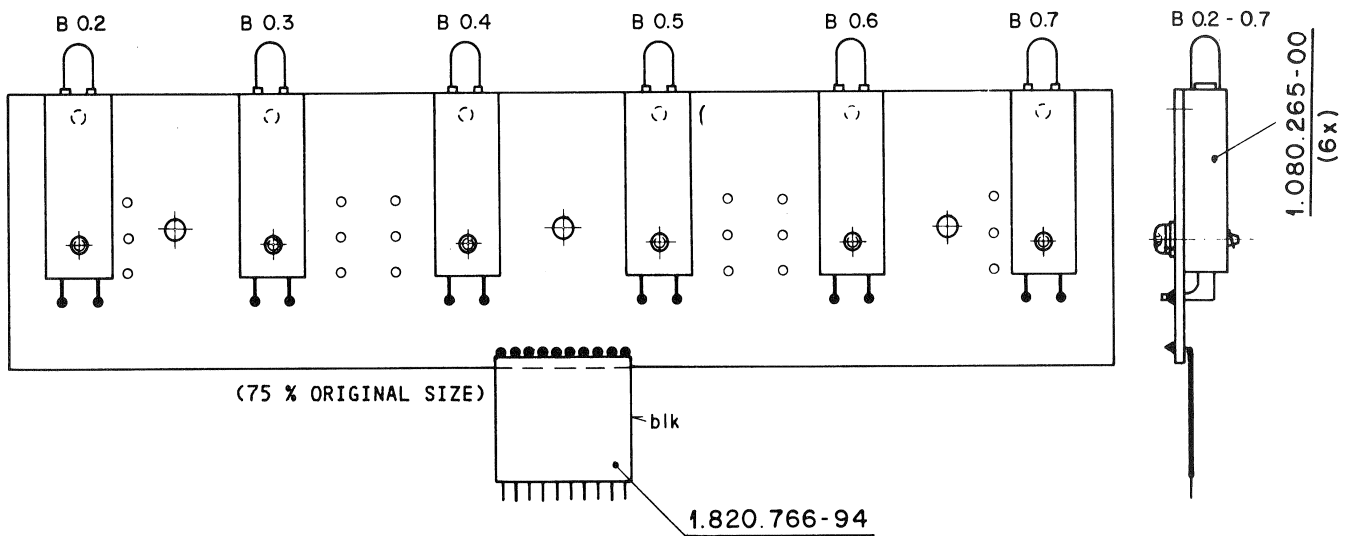


23.11.84 SU	A820 Command Section	
STUDER	Tape Deck Push Button PCB	SC1 .820.769.00 PAGE 1 OF 1

PUSHBUTTON ASSEMBLY

1.820.240.00

PAGE 4 (LAST)



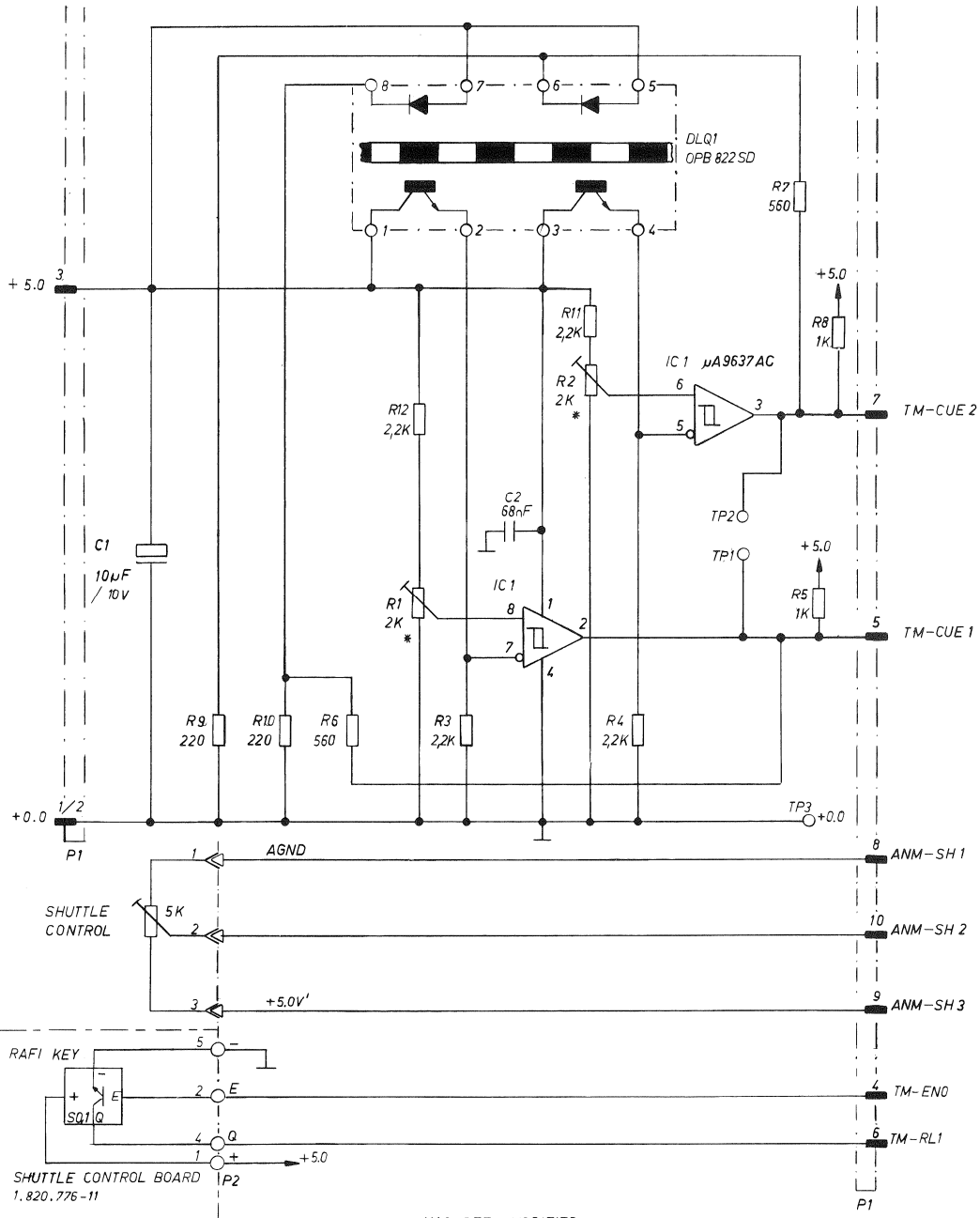
IND.	POS.ND.	PART NO.	VALUE	SPECIFICATIONS / EQUIVALENT	MANUF.
B...	0.2	51.02.0145	24 V	see note 1	
B...	0.3	51.02.0145	24 V	see note 1	
B...	0.4	51.02.0145	24 V	see note 1	
B...	0.5	51.02.0145	24 V	see note 1	
B...	0.6	51.02.0145	24 V	see note 1	
B...	0.7	51.02.0145	24 V	see note 1	
XB...	0.2	1.080.265.00		lamp holder	St
XB...	0.3	1.080.265.00		lamp holder	St
XB...	0.4	1.080.265.00		lamp holder	St
XB...	0.5	1.080.265.00		lamp holder	St
XB...	0.6	1.080.265.00		lamp holder	St
XB...	0.7	1.080.265.00		lamp holder	St

Note 1 - Indicator lamp: Taunuslicht nr. 5530 24 V, 40 mA
Dshino nr. OL - 552440

MANUFACTURER: St=Studer

ORIG 84/11/23

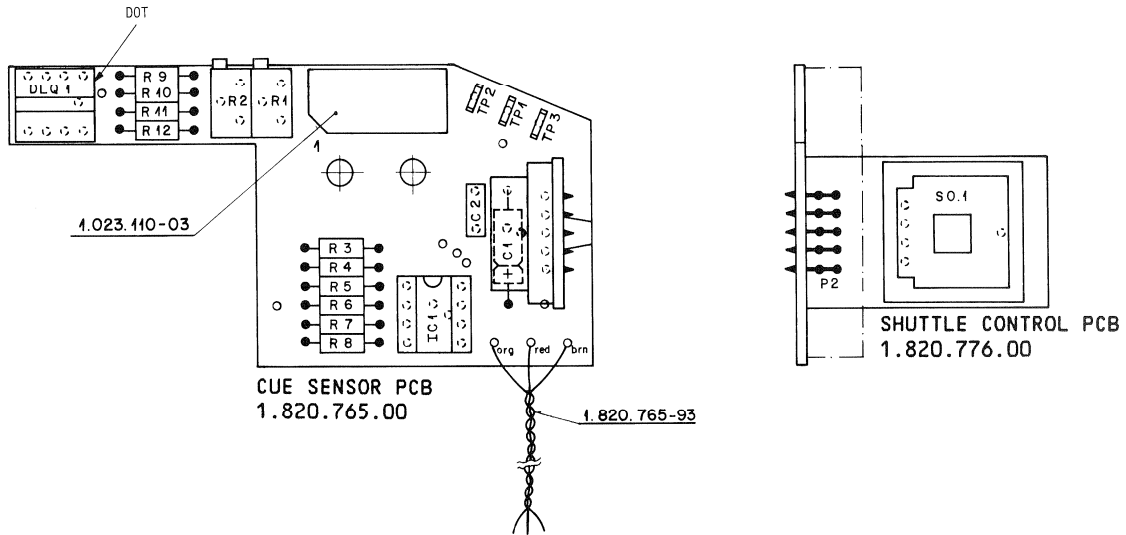
STUDER (00) 84/11/23 CHE TAPE DECK INDICATOR BOARD 1.820.766.00 PAGE 1



* HAS BEEN MODIFIED

④ 4.12.84 CHE	① 21.01.85 CHE	A 820 Command Section	
STUDER	Cue sensor board	SC 1.820.765-00	PAGE 1 OF 1

EDIT ASSEMBLY 1.820.250.00 PAGE 2 (LAST)



IND.	POS.NO.	PART NO.	VALUE	SPECIFICATIONS / EQUIVALENT	MANUF.
C.....1	59.25.4100	10 uF	-20%, 10V, E1		
C.....2	59.06.0683	68 nF	-10%, 63V, PETP		
DL.....1	1.820.765-01		Dual Optical Switch, see note 1	St	
IC.....1	50.15.0114	uA9637 ATC	uA9637 ACP	Fc, TI	
P.....1	1.023.110.03		Flat Cable 10 pole, see note 2		
P.....2	54.01.0269	5 cont.	AMP Nr. -163.740-3		
(00) R.....1	58.05.0501	900 Ohm	see note 3		
(01) R.....1	58.05.0202	2 kOhm	see note 3		
(00) R.....2	58.05.0501	900 Ohm	see note 3		
(01) R.....2	58.05.0202	2 kOhm	see note 3		
R.....3	57.11.4222	2.2 kOhm	2%		
R.....4	57.11.4222	2.2 kOhm	2%		
R.....5	57.11.4102	1 kOhm	2%		
R.....6	57.11.4561	560 Ohm	2%		
R.....7	57.11.4561	560 Ohm	2%		
R.....8	57.11.4102	1 kOhm	2%		
R.....9	57.11.4221	220 Ohm	2%		
R.....10	57.11.4221	220 Ohm	2%		
R.....11	57.11.4222	2.2 kOhm	2%		
R.....12	57.11.4222	2.2 kOhm	2%		
S.....1	55.03.0261	TTL-switch	1 ∅ OC, Rafi Nr. 3.13001.110		
TP.....1	54.02.0320		Test Point		
TP.....2	54.02.0320		Test Point		
TP.....3	54.02.0320		Test Point		

IND.	POS.NO.	PART NO.	VALUE	SPECIFICATIONS / EQUIVALENT	MANUF.
P.....1	54.01.0223			CIS MALE CONNECTOR 7 PIN	
S.....1	55.03.0261		1 ∅ OC TTL	RAFI PUSHBUTTON	

S T U D E R (01) 45/01/21 CHE CUE SENSOR BOARD 1.820.765.00 PAGE 1

IND.	POS.NO.	PART NO.	VALUE	SPECIFICATIONS / EQUIVALENT	MANUF.
(01)	45.01.21			Extension of adjust margin.	

Note 1 - Optical switch, assembled by Studer, consist of
OPB 822 SD (Optron).

Note 2 - Flat cable:
 Studer Nr. 64.03.0213
 PCB Transition Header: Studer Nr. 54.14.5024
 Yamachi Nr. FGP-10-02
 Burndy Nr. BPDDB 10 RODGS
 Socket Type: Studer Nr. 54.14.5020
 Yamachi Nr. FAS-10-17
 Burndy Nr. FRS-10 80-4P

ORIG 84/01/04

S T U D E R (00) 84/01/04 CHE SHUTTLE CONTROL BOARD 1.820.776.00 PAGE 1

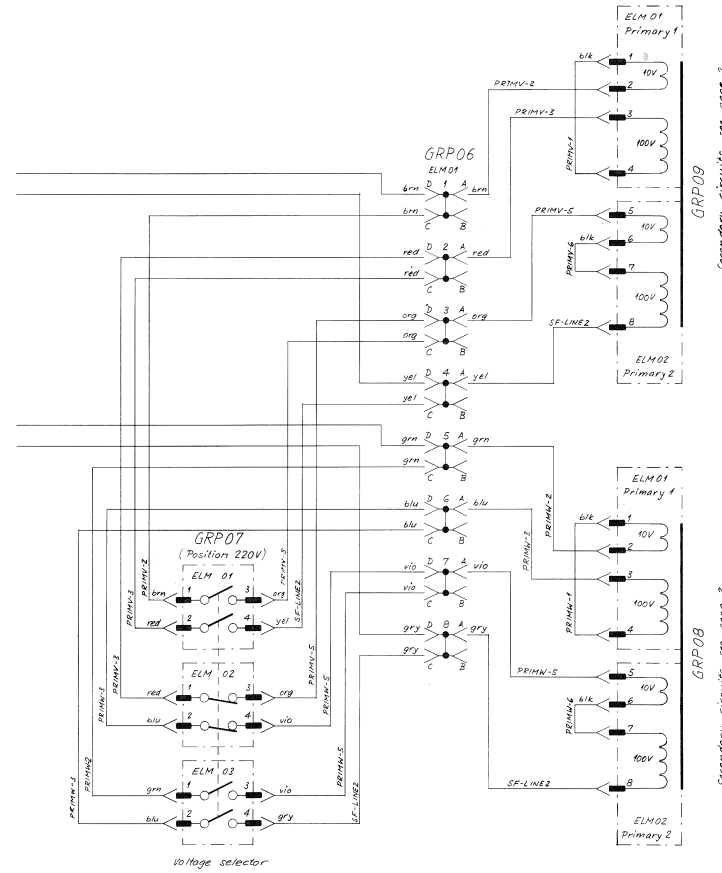
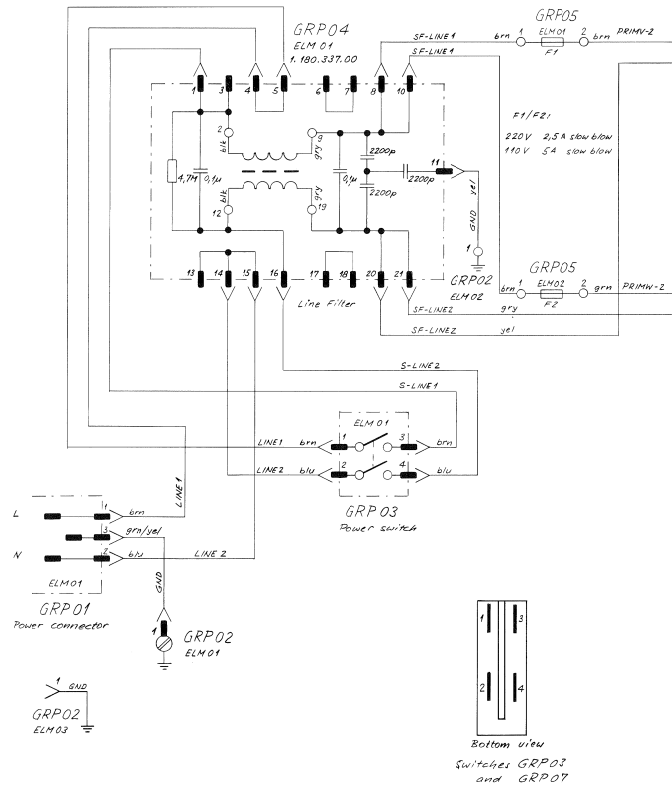
Note 3 - Potentiometer 2 kOhm, 10%, 0.5W
 Bourns Nr. 3296 Z-1-202
 Spectrol Nr. 64 Z 202 T 000
 Cotelec Nr. 183 XZ 202
 Murata Nr. POT 3105 Z-1-202

EI=Electrolytic, PETP=Polyester

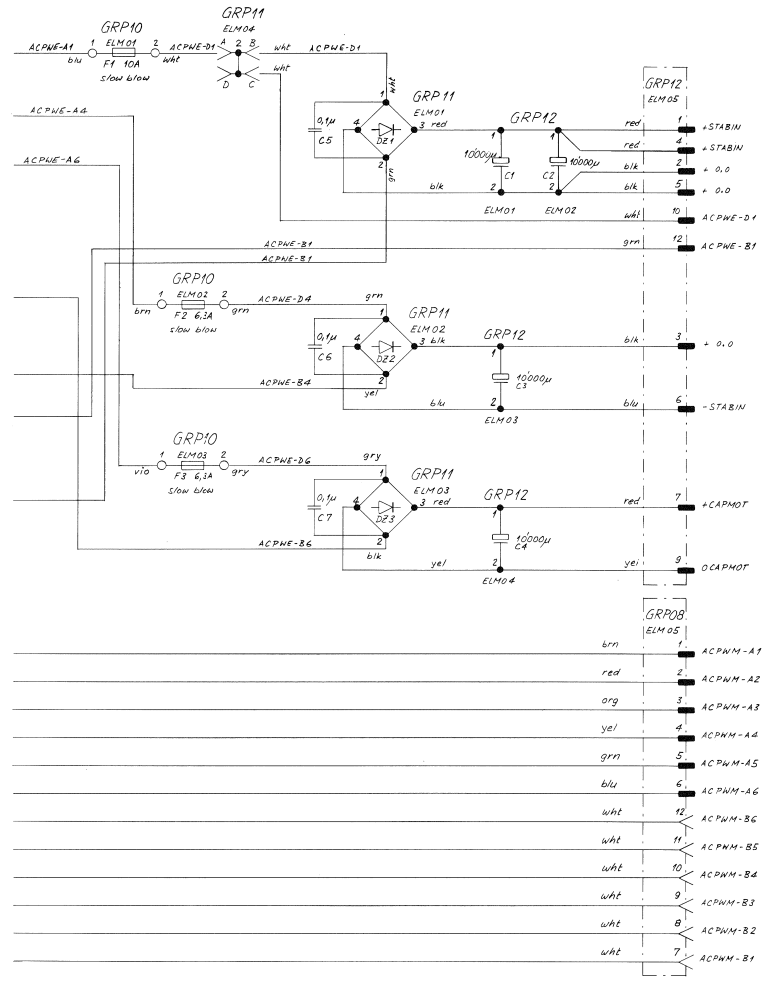
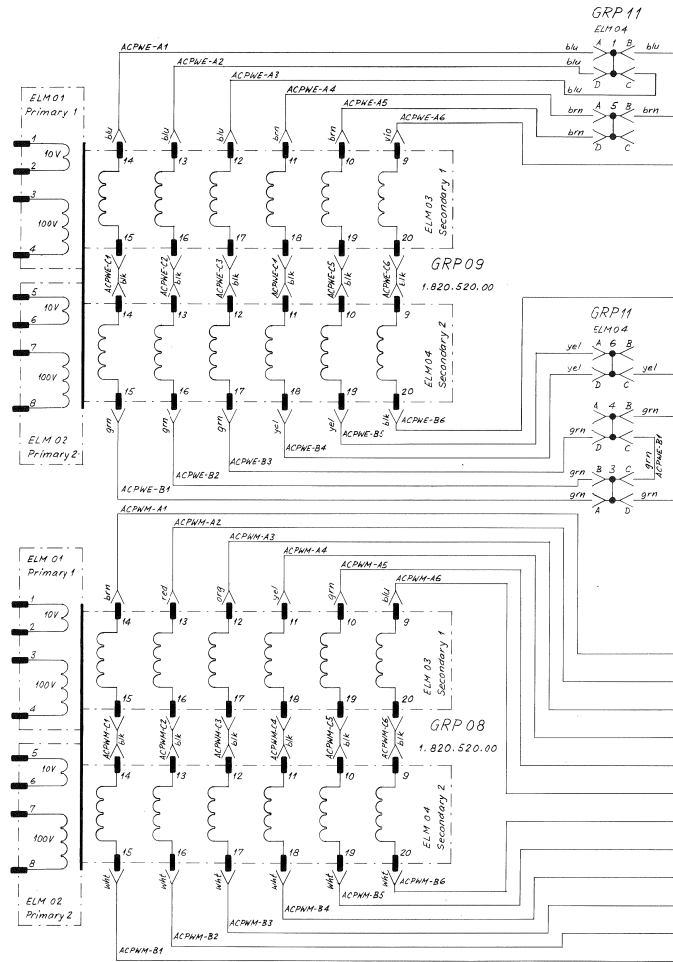
MANUFACTURER: Fc=Fairchild, St=Studer, TI=Texas Instruments

ORIG 84/12/04 (01) 85/01/21

S T U D E R (01) 45/01/21 CHE CUE SENSOR BOARD 1.820.765.00 PAGE 2



150785	Switzerland						
STUDER				A 820		PAGE 1 OF 2	
POWER SUPPLY (PRIMARY)				SC		1.820.510-00	

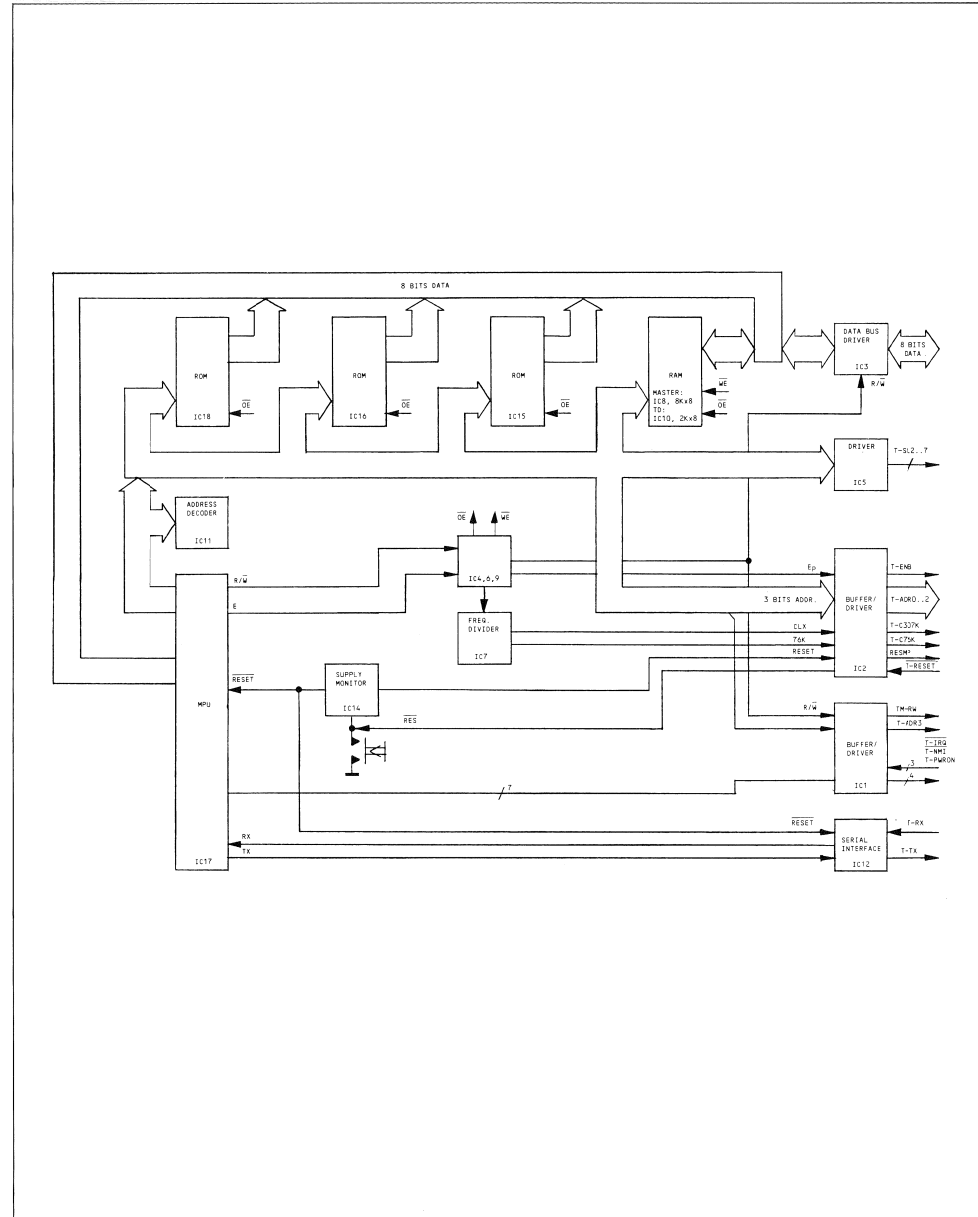


① 150785 Surrhopper	○ . . ○ . . ○ . . ○ . .		
STUDER	A 8 20	POWER SUPPLY (SECONDARY)	PAGE 2 OF 2
		SC 1.820.510-00	

IND.	POS.NO.	PART NO.	VALUE	SPECIFICATIONS / EQUIVALENT	MANUF.
C.....1	99*25*1302	05 UF	70%	PTFP	
C.....2	99*25*1302	1000 UF	-10% 0.3V _{CL}		
C.....3	99*25*1371	470 UF	-10% 10V _{CL}		
C.....4	99*25*1371	470 UF	-10% 10V _{CL}		
C.....5	99*25*1302	1000 UF	-10% 0.3V _{CL}		
C.....6	99*25*1371	470 UF	-10% 10V _{CL}		
C.....7	99*25*1371	470 UF	-10% 10V _{CL}		
U.....1	90*04*122	0.4001	±1% 400A	ITT*MOI	
U.....2	90*04*122	0.4001	±1% 400A	ITT*MOI	
U.....3	90*04*122	0.4001	±1% 400A	ITT*MOI	
(D1) U.....4	90*04*122	0.4001	±1% 400A	ITT*MOI	
(U1) U.....5	90*04*122	7.5 V / 2	±5% 0.5 E 7A	5W	
U.....6	90*04*122	0.4001	±1% 400A	ITT*MOI	
J.....1		14 × 20 CONTACTS	see note 1		
J.....2		18 × 20 CONTACTS	see note 1		
J.....3		2 × 32 CONTACTS	see note 2		
J.....4		2 × 32 CONTACTS	see note 2		
J.....5		18 × 20 CONTACTS	see note 1		
J.....6		18 × 20 CONTACTS	see note 1		
J.....7		18 × 20 CONTACTS	see note 1		
J.....8		2 × 32 CONTACTS	see note 2		
J.....9		18 × 20 CONTACTS	see note 1		
J.....10		18 × 20 CONTACTS	see note 1		
J.....11		18 × 20 CONTACTS	see note 1		
J.....12		2 × 32 CONTACTS	see note 2		
J.....13		24 CONTACTS	see note 3		
P.....1		15 CONTACTS	see note 4		
P.....2		15 CONTACTS	see note 4		
P.....3		15 CONTACTS	see note 4		
P.....4		15 CONTACTS	see note 4		
P.....5		15 CONTACTS	see note 4		
P.....6		15 CONTACTS	see note 4		
P.....7		15 CONTACTS	see note 4		
P.....8		15 CONTACTS	see note 4		
P.....9		15 CONTACTS	see note 4		
P.....10		15 CONTACTS	see note 4		
S T U D E R (01) 85/06/14 P4		BASIS BOARD TAPE DECK	1.820.701.00	PAGE 1	

IND.	POS.NO.	PART NO.	VALUE	SPECIFICATIONS / EQUIVALENT	MANUF.
(U1) 85*06*14 Limitation of power supply peaks.					
Note 1 - 2 connectors:	15 contacts:	Studer Nr. 54-10-2015	6C50 14 50 19 V1 K9		
	20 contacts:	Hurudy Nr. 54-10-2026	6C50 20 50	V1 K9	
Note 2 - connector: 2 × 32 contacts:	Studer Nr. 54-11-2005				
	Hurudy Nr. 81 04 0 20 800 800 20				
	Philips Nr. 2422 025 89247				
	Erni Nr. 9722-745-016				
Note 3 - connector:	6150: 24 circuits:	Studer Nr. 54-12-0415			
	Make Nr. 03-00-2842				
	19 contacts:	Studer Nr. 54-02-0413			
	Make Nr. 02-00-1011				
	5 contacts:	Studer Nr. 54-02-0412			
	Make Nr. 02-00-1131				
Note 4 - connector: 15 contacts:	Studer Nr. 54-14-2202				
	Yanichi Nr. PAP-10-38/4				
	Hurudy Nr. 5PH 9 B 16 800 GS				
Note 5 - connector: 10 contacts:	Studer Nr. 54-14-2201				
	Yanichi Nr. PAP-10-38/4				
	Hurudy Nr. 5PH 9 B 10 800 GS				
Note 6 - connector: 40 contacts:	Studer Nr. 54-14-2204				
	Yanichi Nr. PAP-40-38/4				
	Hurudy Nr. 5PH 9 B 40 800 GS				
Note 7 - connector: 25 contacts:	Studer Nr. 54-14-2203				
	Yanichi Nr. PAP-26-38/4				
	Hurudy Nr. 5PH 9 B 26 800 GS				
Note 8 - connector:	6150: 0 circuits:	Studer Nr. 54-02-0417			
	Make Nr. 03-00-1061				
	2 contacts:	Studer Nr. 54-02-0413			
	Make Nr. 02-00-1101				
Note 9 - connector:	6150: 3 circuits:	Studer Nr. 54-02-0401			
	Make Nr. 03-00-1031				
	2 contacts:	Studer Nr. 54-02-0402			
	Make Nr. 02-00-1131				
EPL: electrolytic, PTFP: Polytetrafluorethylene					
MANUFACTURERS: ITT: ITT Intermetall, Motorola.					
D81G 45/02/27 (01) 85/06/14		BASIS BOARD TAPE DECK	1.820.701.00	PAGE 2	

S T U D E R (01) 85/06/14 P4		BASIS BOARD TAPE DECK	1.820.701.00	PAGE 2	
------------------------------	--	-----------------------	--------------	--------	--

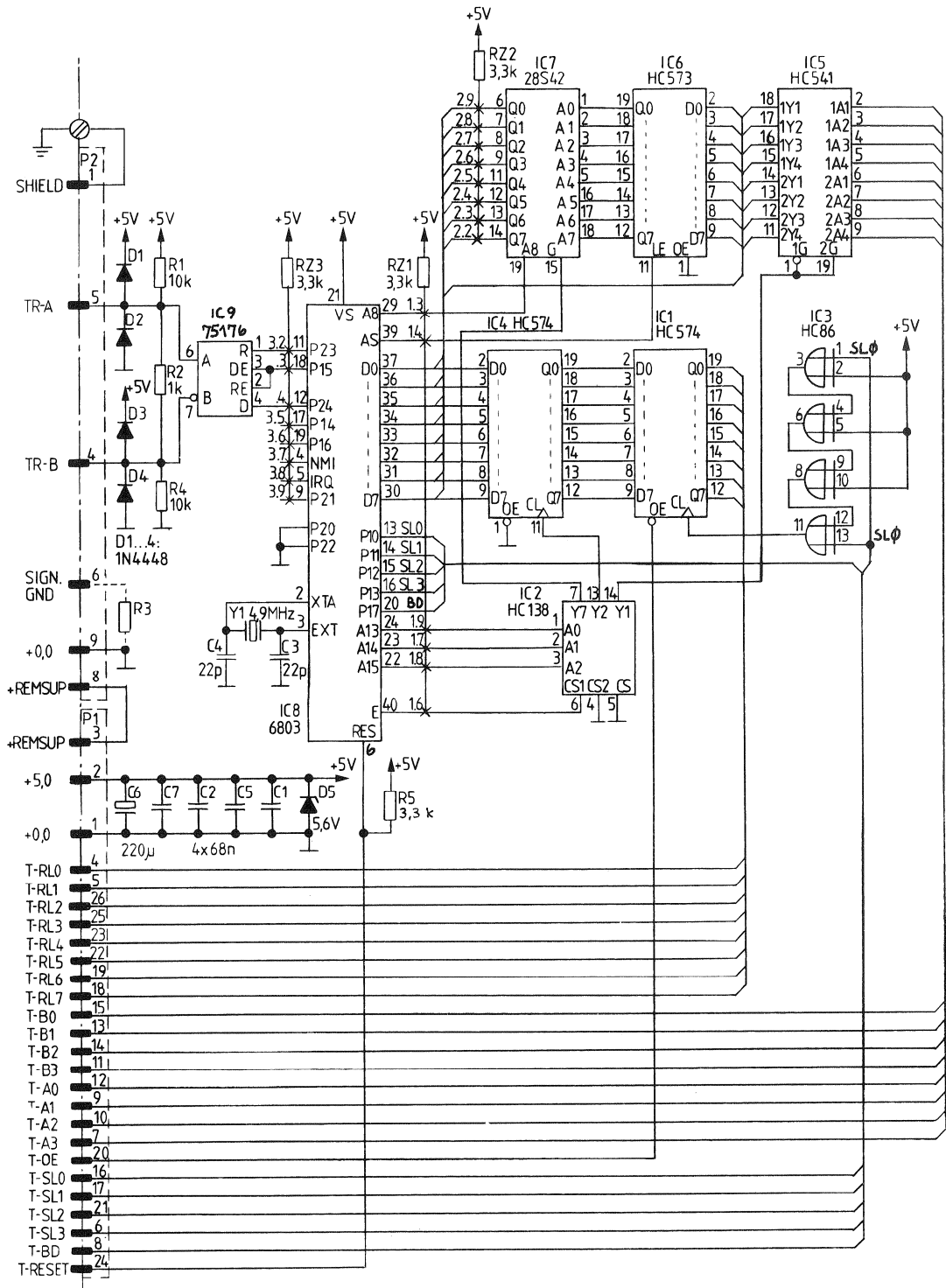


SERIAL REMOTE INTERFACE

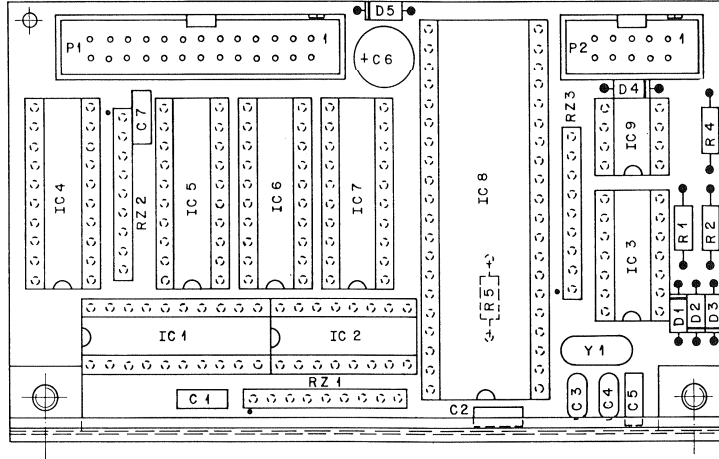
1.820.729.00 (OPTIONAL)

PAGE 1

R _____
 C _____



(20) 21, 3, 85	Su	○ . .	○ . .	○ . .	○ . .
A820 Options					PAGE 1 OF 1
STUDER		Serial Remote Interface		ESE SC	1.820.729-00



IND.	POS.NO.	PART NO.	VALUE	SPECIFICATIONS / EQUIVALENT	MANUF.
(20)	C.....1	59.40.0683	68nF	10%, PETP	
(20)	C.....2	59.40.0683	68nF	10%, PETP	
(20)	C.....3	59.45.2220	22pF	5%, CER	
(20)	C.....4	59.45.2220	22pF	5%, CER	
(20)	C.....5	59.40.0683	68nF	10%, PETP	
(20)	C.....6	59.22.3221	220uF	20%, 10V EL	
(20)	C.....7	59.40.0683	68nF	10%, PETP	
(20)	D.....1	50.04.0125	IN4448		Fc, ITT, Ses, Ph
(20)	D.....2	50.04.0125	IN4448		Fc, ITT, Ses, Ph
(20)	D.....3	50.04.0125	IN4448		Fc, ITT, Ses, Ph
(20)	D.....4	50.04.0125	IN4448		Fc, ITT, Ses, Ph
(20)	D.....5	50.04.1108	5.6V Z	RZX83 C 5V6, BZX55 C 5V6, ZPD5-6	ITT, Ses
(20)	IC.....1	50.17.1574	74HC 574	... 74 HC 574	Ph, Mot, NS, RCA, To, TI
(20)	IC.....2	50.17.1138	74HC 138	... 74 HC 138	Mot, NS, Ph, RCA, SGS, TI
(20)	IC.....3	50.17.1086	74HC 86	... 74 HC 86	Mot, NS, Ph, RCA, SGS, TI
(20)	IC.....4	50.17.1574	74HC 574	... 74 HC 574	Ph, Mot, NS, RCA, To, TI
(20)	IC.....5	50.17.1541	74HC 541	... 74 HC 541	Ph, Mot, NS, RCA, To, TI
(20)	IC.....6	50.17.1573	74HC 573	... 74 HC 573	Ph, Mot, NS, RCA, To, TI, SGS
(00)	IC.....7	50.14.0120	TBP28542N		TI
(20)	IC.....7	1.820.999.20		Software 13/85	St
(20)	IC.....8	50.15.0107	MC6803 P-1	HD 6803P-1	Mot, HI
(20)	IC.....9	50.15.0115	SN75176 AP	DS 3695 N	TI, NS
(20)	P.....1	54.14.2003		see note 1	
(20)	P.....2	54.14.2001		see note 2	
(20)	R.....1	57.11.4103	10 kOhm	2%	
(20)	R.....2	57.11.4102	1 kOhm	2%	
(20)	R.....4	57.11.4103	10 kOhm	2%	
(20)	R.....5	57.11.4332	3.3kOhm	2%	
(20)	RZ.....1	57.88.4332	893.3kOhm	Network, 8 ϕ 3.3 kOhm, 5%, single line	
(20)	RZ.....2	57.88.4332	893.3kOhm	Network, 8 ϕ 3.3 kOhm, 5%, single line	
(20)	RZ.....3	57.88.4332	893.3kOhm	Network, 8 ϕ 3.3 kOhm, 5%, single line	

S T U D E R (20) 85/03/21 SU SERIAL REMOTE INTERFACE 1.820.729.00 PAGE 1

IND.	POS.NO.	PART NO.	VALUE	SPECIFICATIONS / EQUIVALENT	MANUF.
(20)	Y.....1	89.01.0553		4.9152 MHz, TD 18	

Note 1 - Connector 26 contacts:
Yamaichi Nr. FAP-26-0824
Burdny Nr. BPH 9 B 26 B00 GS

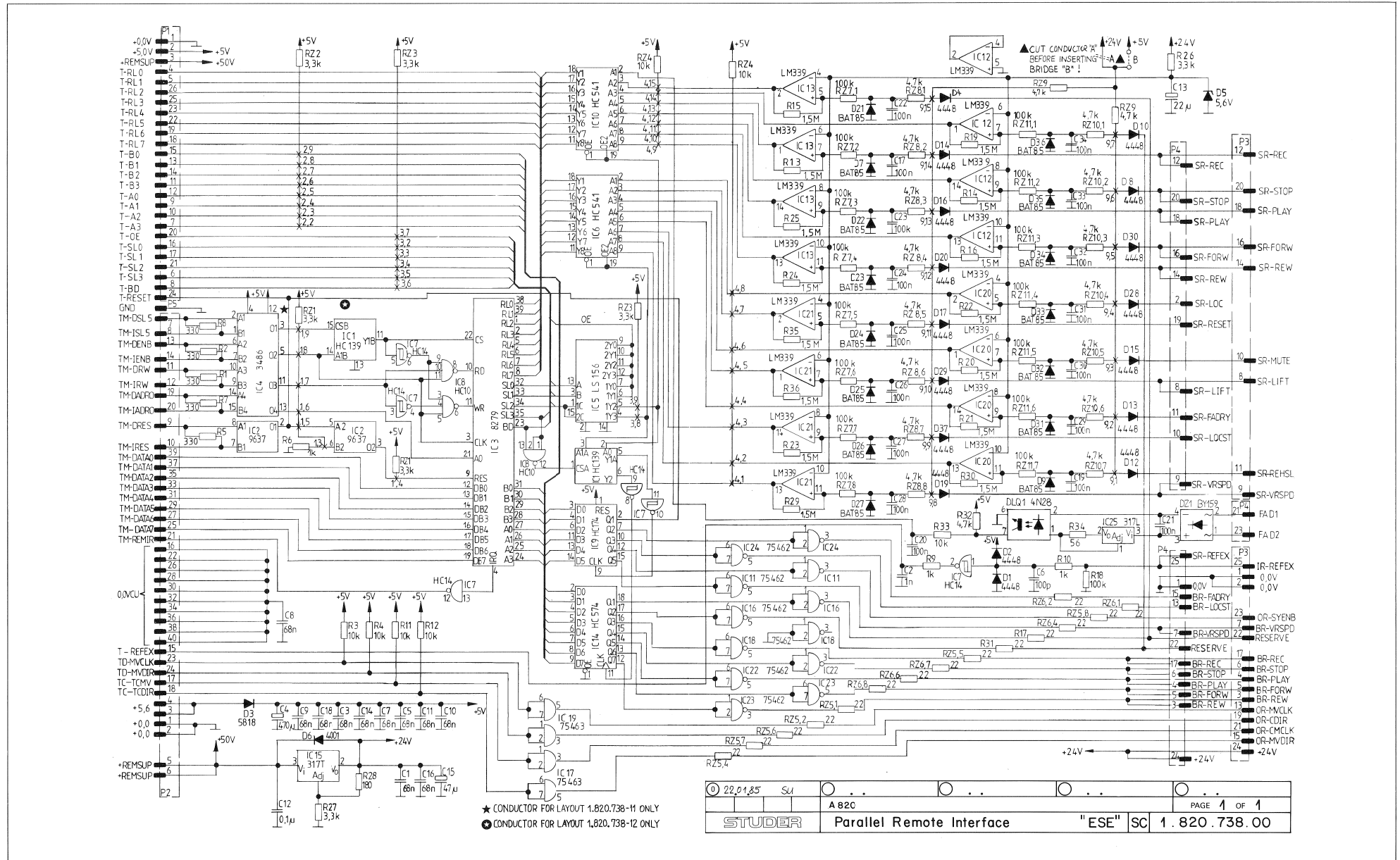
Note 2 - Connector 10 contacts:
Yamaichi Nr. FAP-10-0824
Burdny Nr. BPH 9 B 10 B00 GS

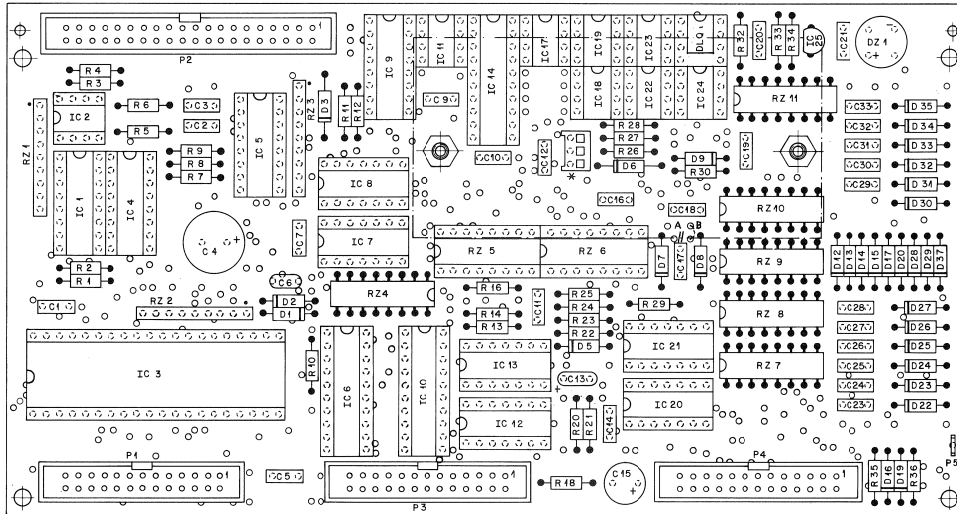
El=Electrolytic, PETP=Polyester, CER=Ceramic, SAL=Solid Aluminium

MANUFACTURERS: Fc=Ferranti, Hi=Hitachi, Is=Intersil, Mot=Motorola,
NS=National Semiconductors, Ph=Philips,
RCA=RCA Corporation, SGS=SGS/Ates, St=Studer
TI=Texas Instruments, To=Toshiba

ORIG 85/03/21 (20) 85/03/21

S T U D E R (20) 85/03/21 SU SERIAL REMOTE INTERFACE 1.820.729.00 PAGE 2

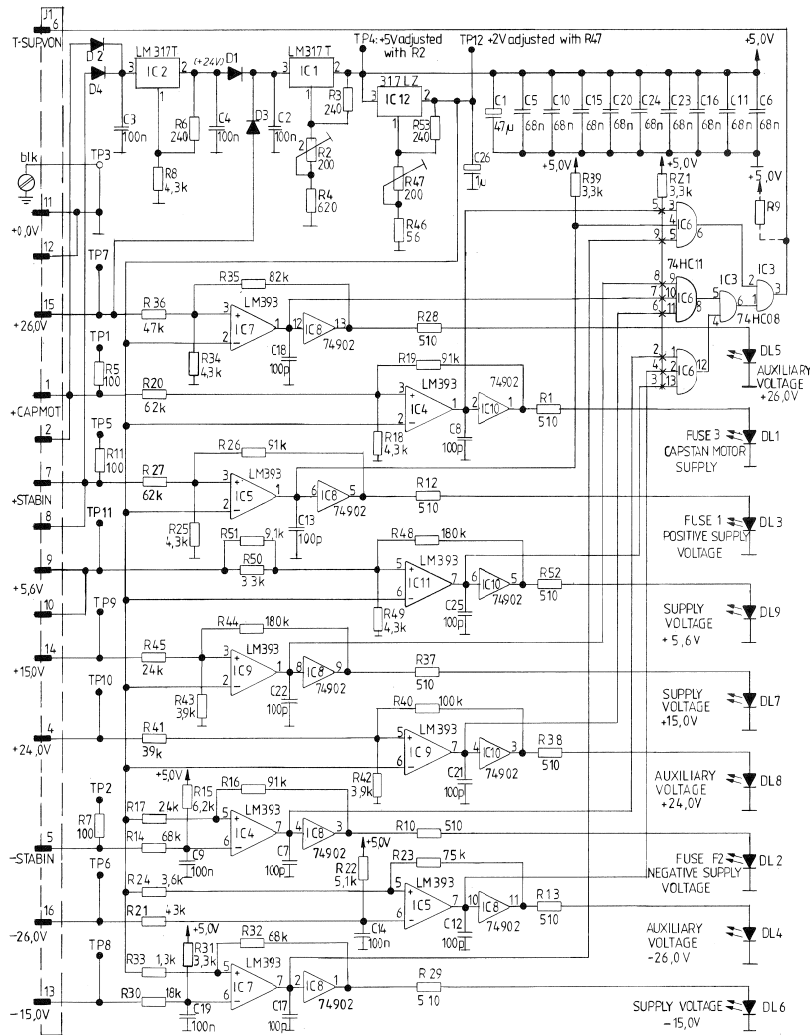




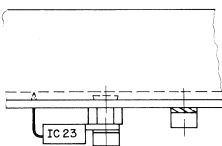
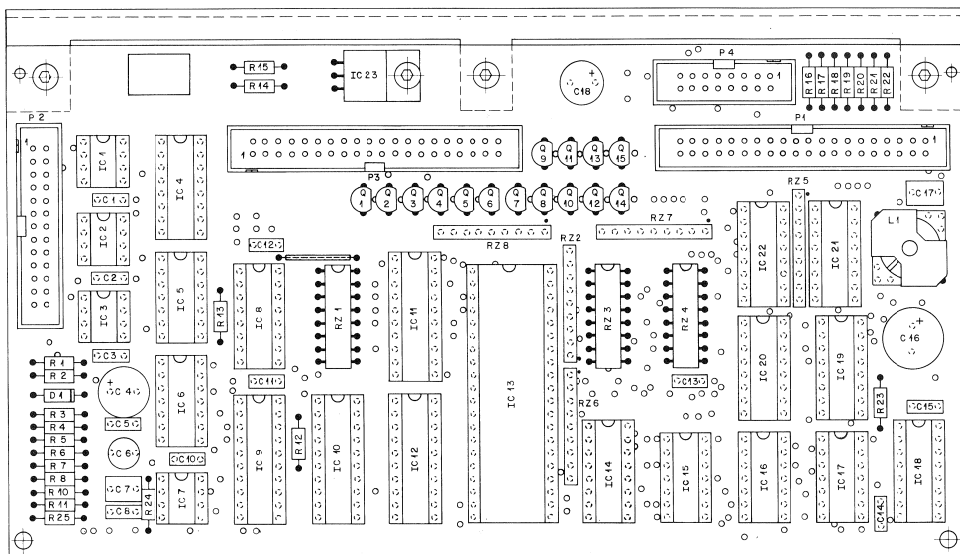
IND.	POS.ND.	PART NO.	VALUE	SPECIFICATIONS / EQUIVALENT	MANUF.
R****14		57-11-5155	1.5 MOhm	5%	
R****16		57-11-4155	1.5 MOhm	5%	
R****18		57-11-4155	100 MOhm	2%	
R****20		57-11-5155	1.5 MOhm	5%	
R****22		57-11-5155	1.5 MOhm	5%	
R****24		57-11-5155	1.5 MOhm	5%	
R****26		57-11-5155	1.5 MOhm	5%	
R****28		57-11-332	3.3 MOhm	2%	
R****30		57-11-332	3.3 MOhm	2%	
R****32		57-11-3181	180 Ohm	1%	
R****34		57-11-5155	1.5 MOhm	5%	
R****36		57-11-5155	1.5 MOhm	5%	
R****38		57-11-4072	4.7 MOhm	2%	
R****40		57-11-4103	10 MOhm	2%	
R****42		57-11-5155	1.5 MOhm	5%	
R****44		57-11-5155	1.5 MOhm	5%	
R****46		57-11-5155	1.5 MOhm	5%	
R****48		57-11-5155	1.5 MOhm	5%	
RZ****01		57-88-6332		Networks 8 @ 3.3 MOhm 5% single line	
RZ****02		57-88-6332		Networks 8 @ 3.3 MOhm 5% single line	
RZ****03		57-88-6332		Networks 8 @ 3.3 MOhm 5% single line	
RZ****04		57-85-3103		Networks 15 @ 10 MOhm 2% DIL IC	
RZ****05		57-88-3220		Networks 8 @ 22 Ohm 2% DIL IC	
RZ****06		57-88-3220		Networks 8 @ 22 Ohm 2% DIL IC	
RZ****07		57-88-3104		Networks 8 @ 100 MOhm 2% DIL IC	
RZ****08		57-88-3472		Networks 8 @ 4.7 MOhm 2% DIL IC	
RZ****09		57-85-3472		Networks 15 @ 4.7 MOhm 2% DIL IC	
RZ****10		57-88-3472		Networks 8 @ 4.7 MOhm 2% DIP IC	
RZ****11		57-88-3104		Networks 8 @ 100 MOhm 2% DIL IC	

STUDER (00) 85/01/22 SU PARALLEL REMOTE INTERFACE 1.820.738.00 PAGE 4

IND.	POS.ND.	PART NO.	VALUE	SPECIFICATIONS / EQUIVALENT	MANUF.
C****01		59-40-0983	58 uF	-10% PETP	
C****02		59-40-0102	1 nF	-10% PETP	
C****03		59-40-0983	68 nF	-10% PETP	
C****04		59-22-3871	470 uF	-20% 10V EL	
C****05		59-40-0983	68 nF	-10% PETP	
C****06		59-40-1011	100 pF	5% CER	
C****07		59-40-0983	68 nF	-10% PETP	
C****08		59-40-0983	68 nF	-10% PETP	
C****09		59-40-0983	68 nF	-10% PETP	
C****10		59-40-0983	68 nF	-10% PETP	
C****11		59-40-0983	68 nF	-10% PETP	
C****12		59-40-0104	2.1 uF	-10% PETP	
C****13		59-42-1820	22 uF	-20% 10V SAL	
C****14		59-40-0983	68 nF	-10% PETP	
C****15		59-41-16475	47 uF	-20% 40V EL	
C****16		59-40-0983	68 nF	-10% PETP	
C****17		59-40-0104	2.1 uF	-10% PETP	
C****18		59-40-0983	68 nF	-10% PETP	
C****19		59-40-0104	2.1 uF	-10% PETP	
C****20		59-40-0104	2.1 uF	-10% PETP	
C****21		59-40-0104	2.1 uF	-10% PETP	
C****22		59-40-0104	2.1 uF	-10% PETP	
C****23		59-40-0104	2.1 uF	-10% PETP	
C****24		59-40-0104	2.1 uF	-10% PETP	
C****25		59-40-0104	2.1 uF	-10% PETP	
C****26		59-40-0104	2.1 uF	-10% PETP	
C****27		59-40-0104	2.1 uF	-10% PETP	
C****28		59-40-0104	2.1 uF	-10% PETP	
C****29		59-40-0104	2.1 uF	-10% PETP	
C****30		59-40-0104	2.1 uF	-10% PETP	
C****31		59-40-0104	2.1 uF	-10% PETP	
C****32		59-40-0104	2.1 uF	-10% PETP	
C****33		59-40-0104	2.1 uF	-10% PETP	
C****34		59-40-0125	18 uAh	Fc=TiTtPhtPhSes	
C****35		59-40-0125	18 uAh	Fc=TiTtPhtPhSes	
C****36		59-40-0125	18 uAh	Fc=TiTtPhtPhSes	
C****37		59-40-0125	18 uAh	Fc=TiTtPhtPhSes	
C****38		59-40-0125	18 uAh	Fc=TiTtPhtPhSes	
C****39		59-40-0125	18 uAh	Fc=TiTtPhtPhSes	
C****40		59-40-0125	18 uAh	Fc=TiTtPhtPhSes	
C****41		59-40-0125	18 uAh	Fc=TiTtPhtPhSes	
C****42		59-40-0125	18 uAh	Fc=TiTtPhtPhSes	
C****43		59-40-0125	18 uAh	Fc=TiTtPhtPhSes	
C****44		59-40-0125	18 uAh	Fc=TiTtPhtPhSes	
C****45		59-40-0125	18 uAh	Fc=TiTtPhtPhSes	
C****46		59-40-0125	18 uAh	Fc=TiTtPhtPhSes	
C****47		59-40-0125	18 uAh	Fc=TiTtPhtPhSes	
C****48		59-40-0125	18 uAh	Fc=TiTtPhtPhSes	
C****49		59-40-0125	18 uAh	Fc=TiTtPhtPhSes	
C****50		59-40-0125	18 uAh	Fc=TiTtPhtPhSes	
C****51		59-40-0125	18 uAh	Fc=TiTtPhtPhSes	
C****52		59-40-0125	18 uAh	Fc=TiTtPhtPhSes	
C****53		59-40-0125	18 uAh	Fc=TiTtPhtPhSes	
C****54		59-40-0125	18 uAh	Fc=TiTtPhtPhSes	
C****55		59-40-0125	18 uAh	Fc=TiTtPhtPhSes	
C****56		59-40-0125	18 uAh	Fc=TiTtPhtPhSes	
C****57		59-40-0125	18 uAh	Fc=TiTtPhtPhSes	
C****58		59-40-0125	18 uAh	Fc=TiTtPhtPhSes	
C****59		59-40-0125	18 uAh	Fc=TiTtPhtPhSes	
C****60		59-40-0125	18 uAh	Fc=TiTtPhtPhSes	
C****61		59-40-0125	18 uAh	Fc=TiTtPhtPhSes	
C****62		59-40-0125	18 uAh	Fc=TiTtPhtPhSes	
C****63		59-40-0125	18 uAh	Fc=TiTtPhtPhSes	
C****64		59-40-0125	18 uAh	Fc=TiTtPhtPhSes	
C****65		59-40-0125	18 uAh	Fc=TiTtPhtPhSes	
C****66		59-40-0125	18 uAh	Fc=TiTtPhtPhSes	
C****67		59-40-0125	18 uAh	Fc=TiTtPhtPhSes	
C****68		59-40-0125	18 uAh	Fc=TiTtPhtPhSes	
C****69		59-40-0125	18 uAh	Fc=TiTtPhtPhSes	
C****70		59-40-0125	18 uAh	Fc=TiTtPhtPhSes	
C****71		59-40-0125	18 uAh	Fc=TiTtPhtPhSes	
C****72		59-40-0125	18 uAh	Fc=TiTtPhtPhSes	
C****73		59-40-0125	18 uAh	Fc=TiTtPhtPhSes	
C****74		59-40-0125	18 uAh	Fc=TiTtPhtPhSes	
C****75		59-40-0125	18 uAh	Fc=TiTtPhtPhSes	
C****76		59-40-0125	18 uAh	Fc=TiTtPhtPhSes	
C****77		59-40-0125	18 uAh	Fc=TiTtPhtPhSes	
C****78		59-40-0125	18 uAh	Fc=TiTtPhtPhSes	
C****79		59-40-0125	18 uAh	Fc=TiTtPhtPhSes	
C****80		59-40-0125	18 uAh	Fc=TiTtPhtPhSes	
C****81		59-40-0125	18 uAh	Fc=TiTtPhtPhSes	
C****82		59-40-0125	18 uAh	Fc=TiTtPhtPhSes	
C****83		59-40-0125	18 uAh	Fc=TiTtPhtPhSes	
C****84		59-40-0125	18 uAh	Fc=TiTtPhtPhSes	
C****85		59-40-0125	18 uAh	Fc=TiTtPhtPhSes	
C****86		59-40-0125	18 uAh	Fc=TiTtPhtPhSes	
C****87		59-40-0125	18 uAh	Fc=TiTtPhtPhSes	
C****88		59-40-0125	18 uAh	Fc=TiTtPhtPhSes	
C****89		59-40-0125	18 uAh	Fc=TiTtPhtPhSes	
C****90		59-40-0125	18 uAh	Fc=TiTtPhtPhSes	
C****91		59-40-0125	18 uAh	Fc=TiTtPhtPhSes	
C****92		59-40-0125	18 uAh	Fc=TiTtPhtPhSes	
C****93		59-40-0125	18 uAh	Fc=TiTtPhtPhSes	
C****94		59-40-0125	18 uAh	Fc=TiTtPhtPhSes	
C****95		59-40-0125	18 uAh	Fc=TiTtPhtPhSes	
C****96		59-40-0125	18 uAh	Fc=TiTtPhtPhSes	
C****97		59-40-0125	18 uAh	Fc=TiTtPhtPhSes	
C****98		59-40-0125	18 uAh	Fc=TiTtPhtPhSes	
C****99		59-40-0125	18 uAh	Fc=TiTtPhtPhSes	
C****100		59-40-0125	18 uAh	Fc=TiTtPhtPhSes	
C****101		59-40-0125	18 uAh	Fc=TiTtPhtPhSes	
C****102		59-40-0125	18 uAh	Fc=TiTtPhtPhSes	
C****103		59-40-0125	18 uAh	Fc=TiTtPhtPhSes	
C****104		59-40-0125	18 uAh	Fc=TiTtPhtPhSes	
C****105		59-40-0125	18 uAh	Fc=TiTtPhtPhSes	
C****106		59-40-0125	18 uAh	Fc=TiTtPhtPhSes	
C****107		59-40-0125	18 uAh	Fc=TiTtPhtPhSes	
C****108		59-40-0125	18 uAh	Fc=TiTtPhtPhSes	
C****109		59-40-0125	18 uAh	Fc=TiTtPhtPhSes	
C****110		59-40-0125	18 uAh	Fc=TiTtPhtPhSes	
C****111		59-40-0125	18 uAh	Fc=TiTtPhtPhSes	
C****112		59-40-0125	18 uAh	Fc=TiTtPhtPhSes	
C****113		59-40-0125	18 uAh	Fc=TiTtPhtPhSes	
C****114		59-40-0125	18 uAh	Fc=TiTtPhtPhSes	
C****115		59-40-0125	18 uAh	Fc=TiTtPhtPhSes	
C****116		59-40-0125	18 uAh	Fc=TiTtPhtPhSes	
C****117		59-40-0125	18 uAh	Fc=TiTtPhtPhSes	
C****118		59-40-0125	18 uAh	Fc=TiTtPhtPhSes	
C****119		59-40-0125	18 uAh	Fc=TiTtPhtPhSes	
C****120		59-40-0125	18 uAh	Fc=TiTtPhtPhSes	
C****121		59-40-0125	18 uAh	Fc=TiTtPhtPhSes	
C****122		59-40-0125	18 uAh	Fc=TiTtPhtPhSes	
C****123		59-40-0125	18 uAh	Fc=TiTtPhtPhSes	
C****124		59-40-0125	18 uAh	Fc=TiTtPhtPhSes	
C****125		59-40-0125	18 uAh	Fc=TiTtPhtPhSes	
C****126		59-40-0125	18 uAh	Fc=TiTtPhtPhSes	
C****127		59-40-0125	18 uAh	Fc=TiTtPhtPhSes	
C****128		59-40-0125	18 uAh	Fc=TiTtPhtPhSes	
C****129		59-40-0125	18 uAh	Fc=TiTtPhtPhSes	
C****130		59-40-0125	18 uAh	Fc=TiTtPhtPhSes	
C****131		59-40-0125	18 uAh	Fc=TiTtPhtPhSes	
C****132		59-40-0125	18 uAh	Fc=TiTtPhtPhSes	
C****133		59-40-0125	18 uAh	Fc=TiTtPhtPhSes	
C****134		59-40-0125	18 uAh	Fc=TiTtPhtPhSes	
C****135		59-40-0125	18 uAh	Fc=TiTtPhtPhSes	
C****136		59-40-0125	18 uAh	Fc=TiTtPhtPhSes	
C****137		59-40-0125	18 uAh	Fc=TiTtPhtPhSes	
C****138		59-40-0125	18 uAh	Fc=TiTtPhtPhSes	
C****139		59-40-0125	18 uAh	Fc=TiTtPhtPhSes	
C****140		59-40-0125	18 uAh	Fc=TiTtPhtPhSes	
C****141		59-40-0125	18 uAh	Fc=TiTtPhtPhSes	
C****142		59-40-0125	18 uAh	Fc=TiTtPhtPhSes	
C****143		59-40-0125	18 uAh	Fc=TiTtPhtPhSes	
C****144		59-40-0125	18 uAh	Fc=TiTtPhtPhSes	
C****145		59-40-0125	18 uAh	Fc=TiTtPhtPhSes	
C****146		59-40-0125	18 uAh	Fc=TiTtPhtPhSes	



© 13.11.84 L. Wepner	A 820	PAGE 1 OF 1
STUDER	Fuse / Supply Failure Detector	SC 1.820.737.00

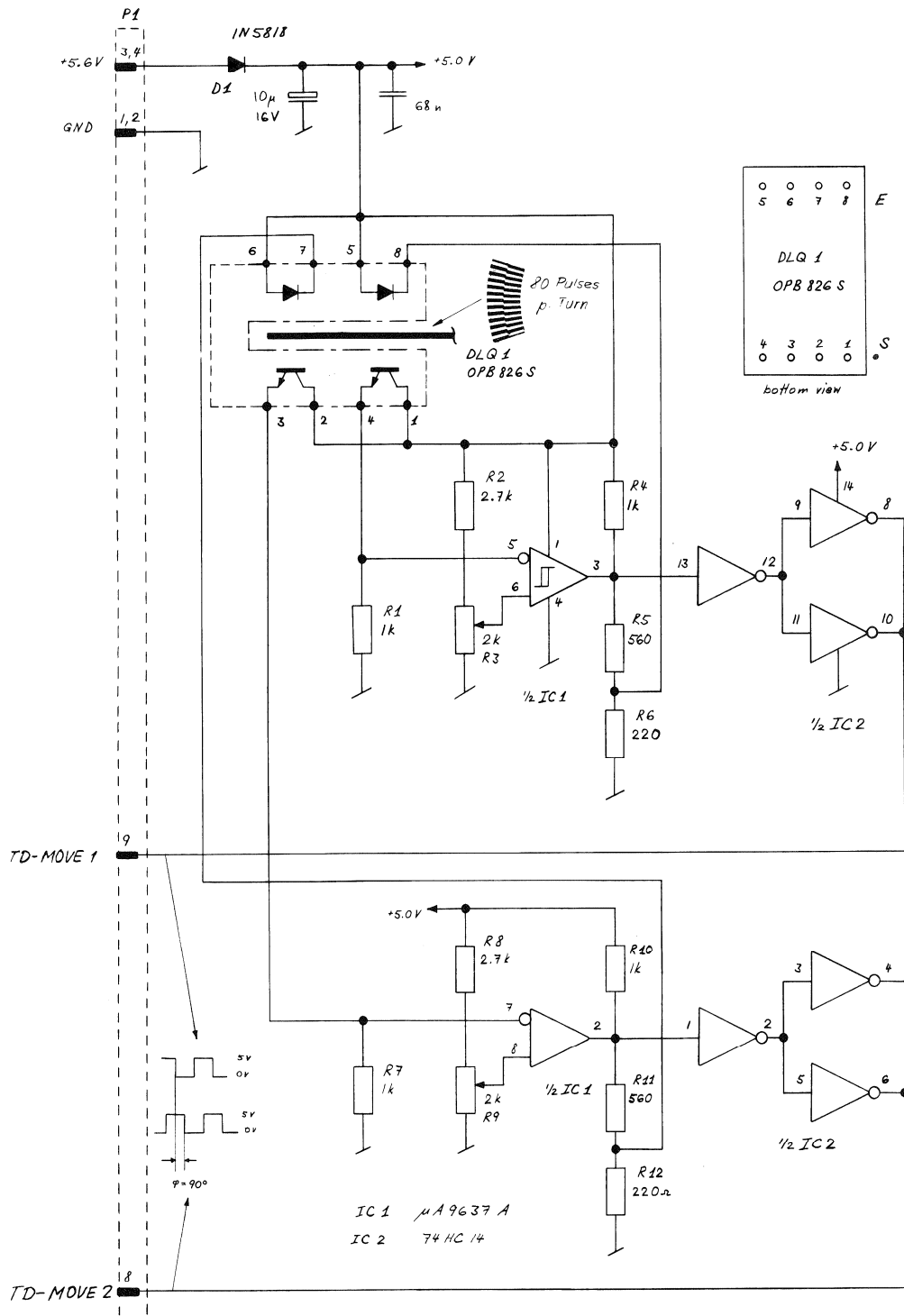


IND.	POS.ND.	PART NO.	VALUE	SPECIFICATIONS / EQUIVALENT	MANUF.
C.....1		59-06-0883	68 nF	-10% PETP	
C.....2		59-06-0883	68 nF	-10% PETP	
C.....3		59-06-0883	68 nF	-10% PETP	
C.....4		59-22-3221	Z00 nF	-20% 10% EI	
C.....5		59-06-0883	68 nF	-10% PETP	
C.....6		59-06-2151	150 nF	PP	
C.....7		59-06-0474	470 nF	-20% PETP	
C.....8		59-06-0224	Z00 nF	-20% PETP	
C.....9		59-06-0883	68 nF	-10% PETP	
C.....10		59-06-0883	68 nF	-10% PETP	
C.....11		59-06-0883	68 nF	-10% PETP	
C.....12		59-06-0883	68 nF	-10% PETP	
C.....13		59-06-0883	68 nF	-10% PETP	
C.....14		59-06-0883	68 nF	-10% PETP	
C.....15		59-06-0883	68 nF	-10% PETP	
C.....16		59-22-2222	Z00 nF	-20% 6.3% EI	
C.....17		59-06-0474	470 nF	-10% PETP	
C.....18		59-22-0470	47 uF	-10% 40% EI	
D.....1		50-04-0512	IN 5818	IN 5819	Not
IC.....1		50-05-0227	SN 75462 P	SN 75462 JG6 SN 75472 P	TI
IC.....2		50-05-0227	SN 75462 P	SN 75462 JG6 SN 75472 P	TI
IC.....3		50-05-0227	SN 75462 P	SN 75462 JG6 SN 75472 P	TI
IC.....4		50-17-1174	74 HC 174		Not NS; PH; RCA; SGS; TI; To
IC.....5		50-17-1086	74 HC 86		Not NS; PH; RCA; TI; To
IC.....6		50-17-1020	74 HC 05		Not NS; PH; RCA; TI; To
IC.....7		50-05-0285	LM 358 N	LM 358 P	Not NS; TI
IC.....8		50-17-1175	74 HC 175		Not NS; PH; SGS; TI; To
IC.....9		50-07-0279	ADC0801CN		TI; NS
IC.....10		50-06-0609	74 LS 609		Not NS; TI
IC.....11		50-15-0113	SN 75498 N		Not NS; TI
IC.....12		50-06-0609	74 LS 609		Not NS; TI
IC.....13		50-16-0111	IP 8279-5	M S L 8279 P-5	TI; PH
IC.....14		50-17-1259	74 HC 255		Not NS; PH; RCA; SGS; TI; To
IC.....15		50-17-1014	74 HC 14		Not NS; PH; RCA; TI; To
IC.....16		50-17-1020	74 HC 05		Not NS; PH; RCA; SGS; TI; To
IC.....17		50-17-1010	74 HC 10		Not NS; PH; RCA; TI; To
S T U D E R (00) 85/03/21 CHE TAPE DECK DISPLAY DRIVER 1.820.768.81 PAGE 1					
IND.	POS.ND.	PART NO.	VALUE	SPECIFICATIONS / EQUIVALENT	MANUF.
IC.....18		50-17-1138	74 HC 138		Not NS; PH; RCA; SGS; TI; To
IC.....19		50-06-0156	74 LS 156		IC; NS; TI
IC.....20		50-06-0156	74 LS 156		IC; NS; TI
IC.....21		50-19-0104	MC 3486 P	DS 3486 N	DS 3486 N
IC.....22		50-19-0104	MC 3486 P	DS 3486 P	DS 3486 N
IC.....23		50-10-0104	LM 317 T	***RCA ***3P	Not NS; SGS; TI; To
L.....1		10-22-252-60	0.32 mH	Filter Coil	SE
P.....1		54-14-2004		see note 1	Fe
P.....2		54-14-2003		see note 2	Fe
P.....3		54-14-2004		see note 1	Fe
P.....4		54-14-2002		see note 3	Fe
Q.....1		50-03-0352	ZFX 751 S		Fe
Q.....2		50-03-0352	ZFX 751 S		Fe
Q.....3		50-03-0352	ZFX 751 S		Fe
Q.....4		50-03-0352	ZFX 751 S		Fe
Q.....5		50-03-0352	ZFX 751 S		Fe
Q.....6		50-03-0352	ZFX 751 S		Fe
Q.....7		50-03-0352	ZFX 751 S		Fe
Q.....8		50-03-0352	ZFX 751 S		Fe
Q.....9		50-03-0352	ZFX 751 S		Fe
Q.....10		50-03-0352	ZFX 751 S		Fe
Q.....11		50-03-0352	ZFX 751 S		Fe
Q.....12		50-03-0352	ZFX 751 S		Fe
Q.....13		50-03-0352	ZFX 751 S		Fe
Q.....14		50-03-0352	ZFX 751 S		Fe
Q.....15		50-03-0352	ZFX 751 S		Fe
R.....1		57-11-4332	3.3 kOhm	ZK	
R.....2		57-11-4332	3.3 kOhm	ZK	
R.....3		57-11-4332	3.3 kOhm	ZK	
R.....4		57-11-3243	24 kOhm	ZK	
R.....5		57-11-3243	24 kOhm	ZK	
R.....6		57-11-4101	100 Ohm	ZK	
R.....7		57-11-4104	100 kOhm	ZK	
R.....8		57-11-4104	100 kOhm	ZK	
R.....9		57-11-4103	10 kOhm	ZK	
R.....10		57-11-4103	10 kOhm	ZK	
R.....11		57-11-4332	3.3 kOhm	ZK	
R.....12		57-11-4332	3.3 kOhm	ZK	
R.....13		57-11-4332	3.3 kOhm	ZK	
R.....14		57-11-4332	3.3 kOhm	ZK	
R.....15		57-11-4332	3.3 kOhm	ZK	
R.....16		57-11-4332	3.3 kOhm	ZK	
R.....17		57-11-4331	330 Ohm	ZK	
R.....18		57-11-4331	330 Ohm	ZK	
R.....19		57-11-4331	330 Ohm	ZK	
R.....20		57-11-4331	330 Ohm	ZK	
R.....21		57-11-4331	330 Ohm	ZK	
R.....22		57-11-4331	330 Ohm	ZK	
R.....23		57-11-4332	3.3 kOhm	ZK	
R.....24		57-11-3562	5.6 kOhm	ZK	
R.....25		57-11-3182	1.8 kOhm	ZK	
RZ.....1		57-08-3220		Networks 8 8 22 Ohm ZK DIL 16	
RZ.....2		57-08-3332		Networks 8 8 3.3 kOhm ZK single line	
RZ.....3		57-08-3331		Networks 8 8 330 Ohm ZK DIL 16	
RZ.....4		57-08-3331		Networks 8 8 330 Ohm ZK DIL 16	
RZ.....5		57-08-3332		Networks 8 8 3.3 kOhm ZK single line	
RZ.....6		57-08-3332		Networks 8 8 3.3 kOhm ZK single line	
RZ.....7		57-08-3332		Networks 8 8 3.3 kOhm ZK single line	
RZ.....8		57-08-3332		Networks 8 8 3.3 kOhm ZK single line	
S T U D E R (00) 85/03/21 CHE TAPE DECK DISPLAY DRIVER 1.820.768.81 PAGE 3					
IND.	POS.ND.	PART NO.	VALUE	SPECIFICATIONS / EQUIVALENT	MANUF.
Note 1 - Connector 40 contacts: Yamaha/CI Nr. FAP-40-0824 Burnby Nr. BPH 9 B 40 800 GS					
Note 2 - Connector 26 contacts: Yamaha/CI Nr. FAP-26-0824 Burnby Nr. BPH 9 B 26 800 GS					
Note 3 - Connector 16 contacts: Yamaha/CI Nr. FAP-16-0824 Burnby Nr. BPH 9 B 16 800 GS					
EI=Electrolytic; PETP=Polyester; PPI=Polypolypropylene					
MANUFACTURERS: IC=Fairchild, HitFerranti, IntIntel, ItIntel, MS=Motorola; MC=Motorola; NS=National Semiconductor, Philips; RCA=RCA Corporation, SGS/Sony, Sencider, Thompson, TI=Texas Instruments, TaiToshiba.					
DRIG 85/03/21					
S T U D E R (00) 85/03/21 CHE TAPE DECK DISPLAY DRIVER 1.820.768.81 PAGE 4					

MOVE SENSOR

1.820.770.00

PAGE 1

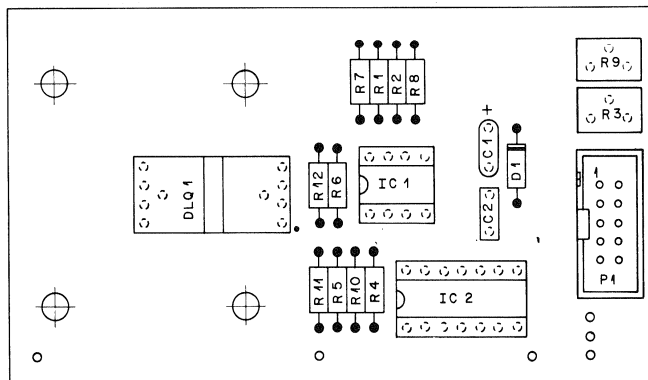


© 11.12.84 H	A 820 Tape Transport Section		
STUDER	Move Sensor PCB	SC 1.820.770.00	PAGE 1 OF 1

MOVE SENSOR

1.820.770.00

PAGE 2 (LAST)



IND.	POS.NO.	PART NO.	VALUE	SPECIFICATIONS / EQUIVALENT	MANUF.
C.....1		59.26.2100	10 uF	20%, 16V, Sa1	Ph
C.....2		59.06.0683	68 nF	10%, 63V, PETP	
D.....1		50.04.0512	1N 5818	1N 5819	Mot
DLQ...1		50.99.0166	DPB 826 S		Op
IC....1		50.15.0114	uA9637ACP	9637 ATC	Fc+Ti
IC....2		50.17.1014	74 HC 14		Ph+Mot+NS+RCA+Ti+To
P.....1		54.14.2001		see note 1	
R.....1		57.11.4102	1 kOhm	2%	
R.....2		57.11.4272	2.7 kOhm	2%	
R.....3		58.05.0202	2 kOhm	see note 2	
R.....4		57.11.4102	1 kOhm	2%	
R.....5		57.11.4561	560 Ohm	2%	
R.....6		57.11.4221	220 Ohm	2%	
R.....7		57.11.4102	1 kOhm	2%	
R.....8		57.11.4272	2.7 kOhm	2%	
R.....9		58.05.0202	2 kOhm	see note 2	
R.....10		57.11.4102	1 kOhm	2%	
R.....11		57.11.4561	560 Ohm	2%	
R.....12		57.11.4221	220 Ohm	2%	

S T U D E R (00) 04/12/11 CK MOVE SENSOR 1.820.770.00 PAGE 1

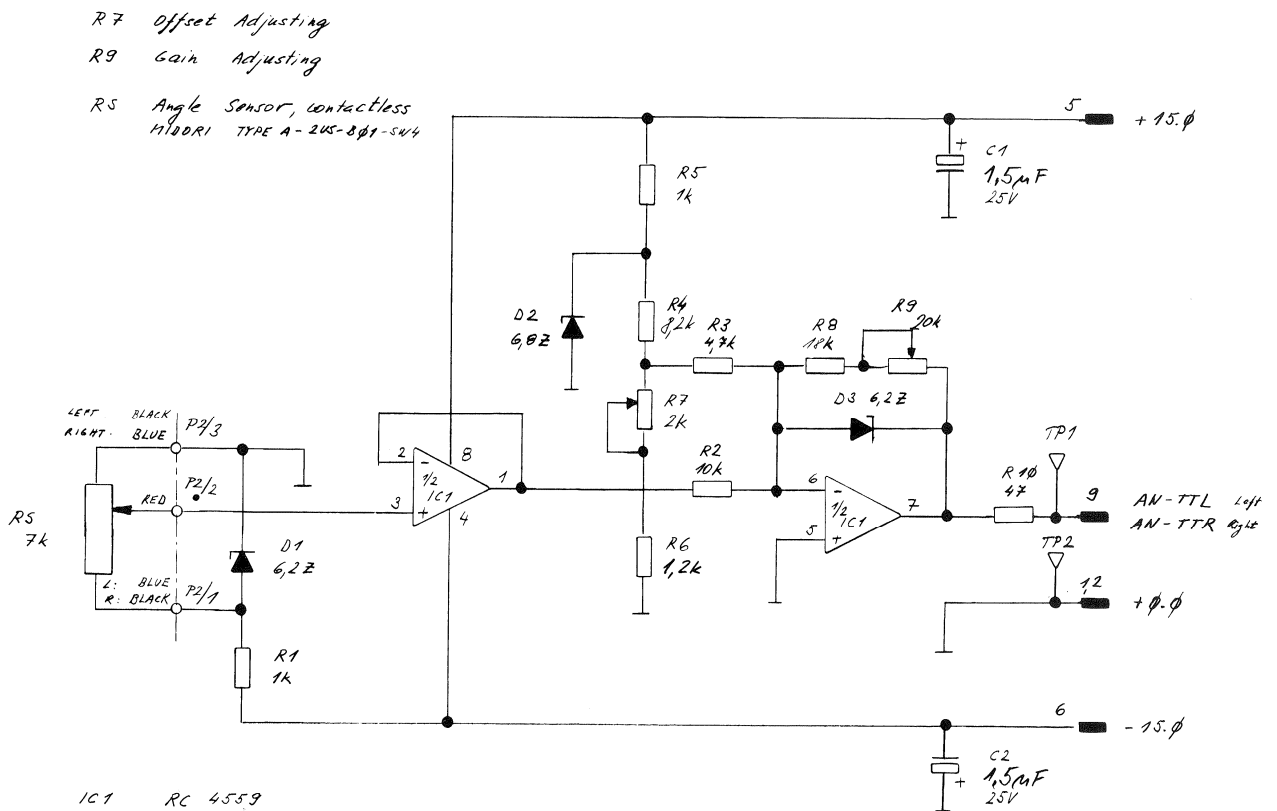
IND.	POS.NO.	PART NO.	VALUE	SPECIFICATIONS / EQUIVALENT	MANUF.
Note 1 - Connector: Yamaichi Nr. FAP-10-08/4 Burdyn Nr. BPH T B 10 800 GS					
Note 2 - Potentiometer: Bourns Nr. 3296 Z = 1 - 202 Spectrol Nr. 64 Z 202 T 000					

Sa1=Solid aluminium

Manufacturer: Fc=Fairchild, Mot=Motorola, NS=National Semiconductors,
Op=Optron, Ph=Philips, RCA=Radio Corporation of America,
Ti=Texas Instruments, To=Toshiba.

ORIG 04/12/11

S T U D E R (00) 04/12/11 CK MOVE SENSOR 1.820.770.00 PAGE 2

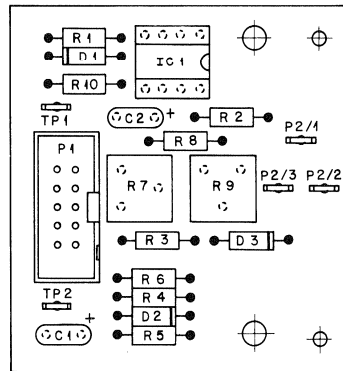


0	18.2.85	#2	A 820 Tape Transport Section	
STUDER	Tape Tension Sensor PCB SC1.820.772.00		PAGE 1	OF 1

TAPE TENSION SENSOR

1.820.772.00

PAGE 2 (LAST)



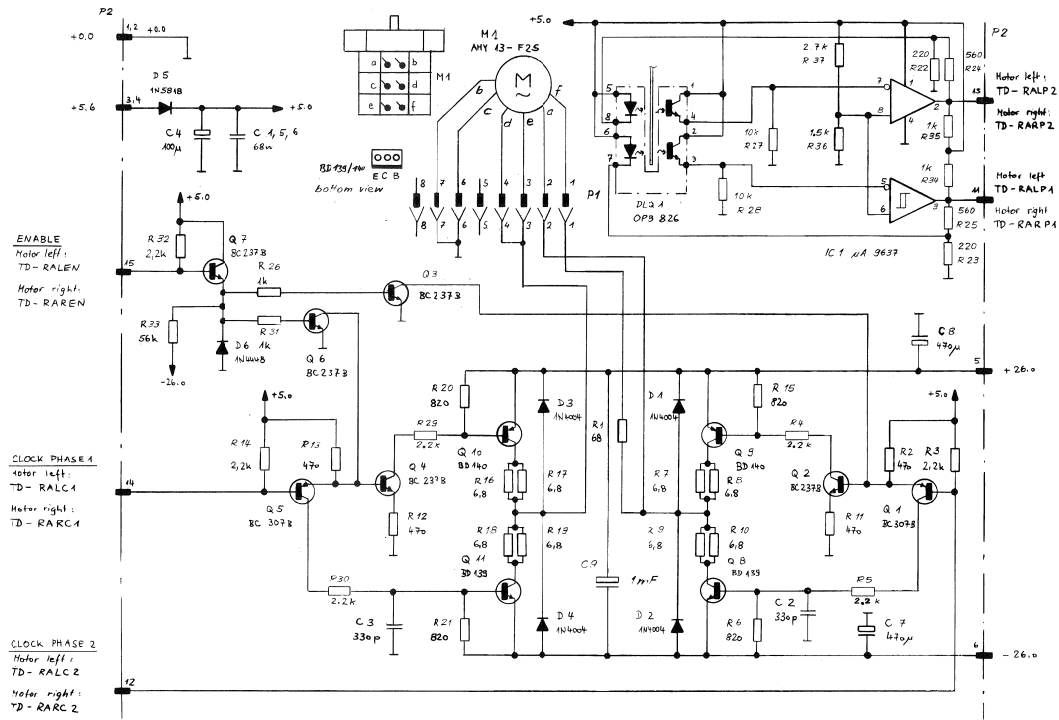
IND.	POS.ND.	PART NO.	VALUE	SPECIFICATIONS / EQUIVALENT	MANUF.
C.....1		59.26.5159	1.5 uF	25V, solid aluminium	Ph
C.....2		59.26.5159	1.5 uF	25V, solid aluminium	Ph
D.....1		50.04.1118	6.2 V Z	BZX83C 6V2, BZX55C 6V2, ZPD 6.2	ITT+Ses
D.....2		50.04.1102	6.8 V Z	BZX83C 6V8, BZX55C 6V8, ZPD 6.8	ITT+Ses
D.....3		50.04.1118	6.2 V Z	BZX83C 6V2, BZX55C 6V2, ZPD 6.2	ITT+Ses
IC.....1		50.09.0107	RC 4559 Nb	uPC 4559	NEC+Ra
P.....1		54.14.2001	10 cont.	See note 1	
P...2/1		54.02.0320			
P...2/2		54.02.0320			
P...2/3		54.02.0320			
R.....1		57.11.4102	1 kOhm		
R.....2		57.11.4103	10 kOhm		
R.....3		57.11.4472	4.7 kOhm		
R.....4		57.11.4822	8.2 kOhm		
R.....5		57.11.4102	1 kOhm		
R.....6		57.11.4122	1.2 kOhm		
R.....7		58.01.8202	2 kOhm	See note 2	
R.....8		57.11.4183	18 kOhm		
R.....9		58.01.8203	20 kOhm	See note 3	
R.....10		57.11.4470	47 Ohm		
TP....1		54.02.0320			
TP....2		54.02.0320			

S T U D E R (00) 85/02/18 PB TAPE TENSION SENSOR 1.820.772.00 PAGE

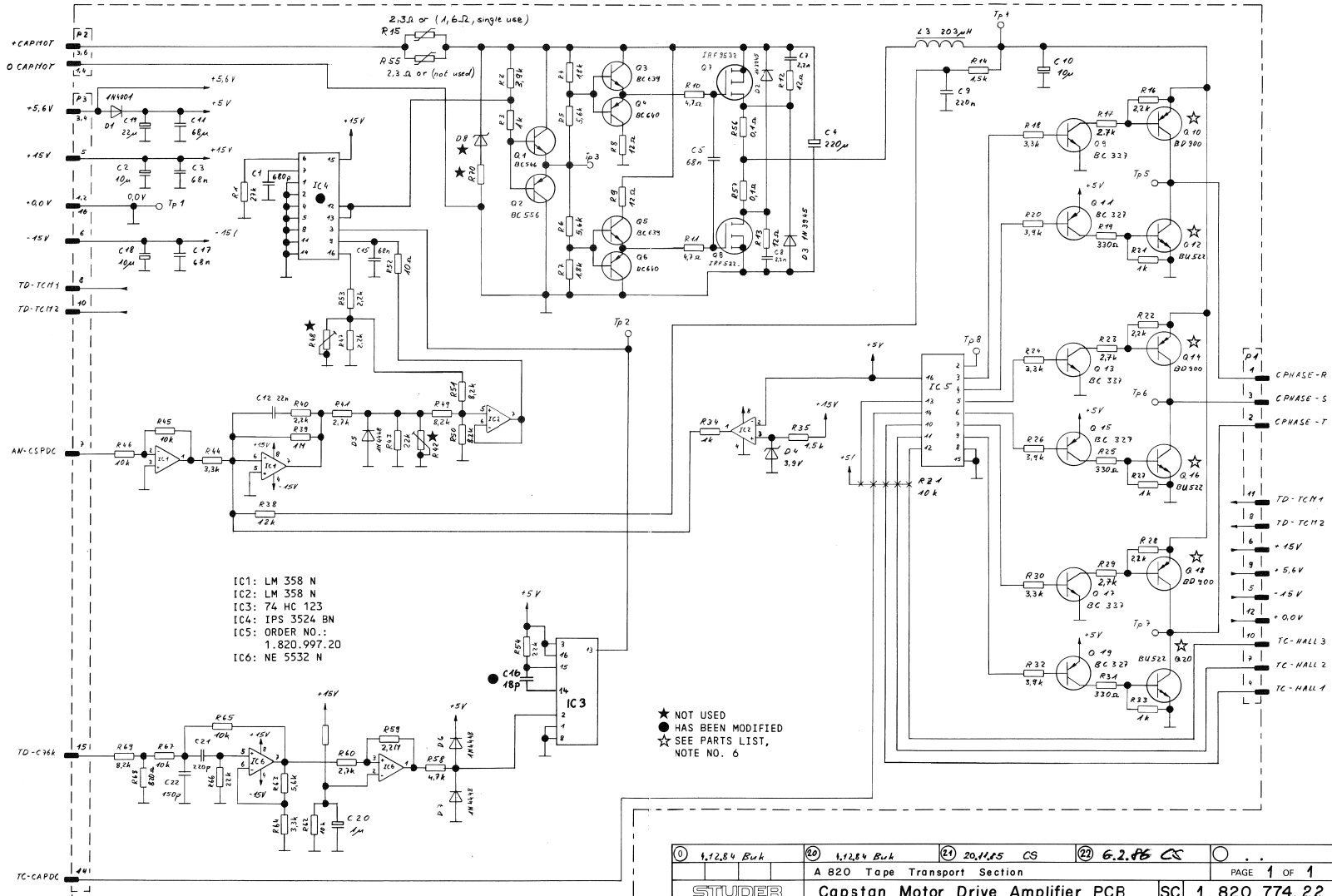
IND.	POS.ND.	PART NO.	VALUE	SPECIFICATIONS / EQUIVALENT	MANUF.
Note 1 - Connector					
		Burndy		BPH 7 B 10 800 GS	
		Yamaichi		FAP-10-08/4	
Note 2 - 2 kOhm Potentiometer, linear					
		Allan Bradley		E 2B 202	
		Bourns		386 F-1-202	
		Spectrol		63 M 202 T010	
Note 3 - 20 kOhm Potentiometer, linear					
		Allan Bradley		E 2B 203	
		Bourns		386 F-1-203	
		Spectrol		63 M 203 T010	

MANUFACTURER: ITT=ITT/Intermetall, NEC=Nippon Electric Corporation, Ph=Philips, Ra=Raytheon, Ses=Sescosen.

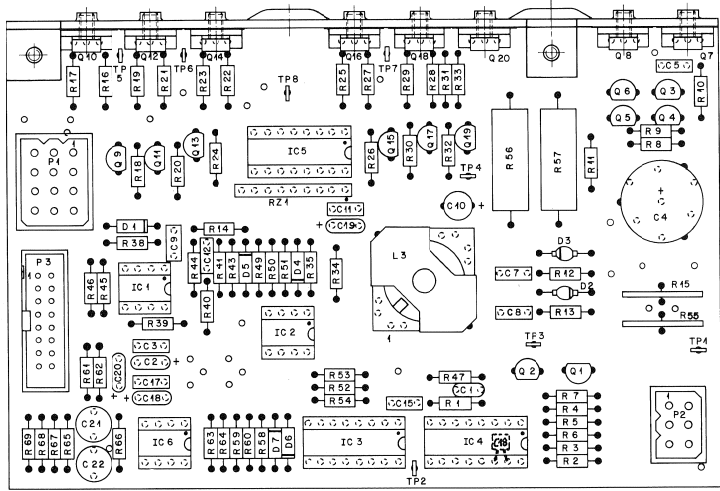
ORIG 85/02/18
S T U D E R (00) 85/02/18 PB TAPE TENSION SENSOR 1.820.772.00 PAGE 2



		A 820 Tape Transport Section	
STUDER	Tape Lifter Control	SC 1.820.773-82	PAGE 1 OF 1



①	1,12,84 Bxk	②	1,12,84 Bxk	③	20,11,15 CS	④	6,2,15 CC	○	.
STUDER Capstan Motor Drive Amplifier PCB								PAGE 1 OF 1	
SC 1.820.774.22									



IND.	POS-NO.	PART NO.	VALUE	SPECIFICATIONS / EQUIVALENT	MANUF.
(20)1	59-32-2681	680 pF	10%, Co	
(20)2	59-26-1000	10 uF	20%, 10%, E1	
(20)3	59-06-0683	68 nF	10%, PETP	
(20)4	59-26-0221	220 uF	-20%, 100%, E1	
(20)5	59-06-0683	68 nF	10%, PETP	
(20)7	59-06-0222	2200 pF	10%, 100%, PETP	
(20)8	59-06-0222	2200 pF	10%, 100%, PETP	
(20)9	59-06-0226	2200 pF	10%	
(20)10	59-22-8100	10 uF	-20%, 63V, E1	
(20)11	59-06-0683	68 nF	10%	
(20)12	59-06-0223	22 nF	10%, PETP	
(20)15	59-06-0683	68 nF	10%	
(20)16		not used		
(20)16	59-34-1180	18 uF	5%, Co	
(20)17	59-06-0683	68 nF	10%, PETP	
(20)18	59-26-0221	220 uF	20%, 10%, E1	
(20)19	59-26-1220	22 uF	20%, 10%, E1	
(20)20	59-26-0109	1 uF	-20%, 10%, E1	
(20)21	59-05-1221	220 pF	2-5%, PP	
(20)22	59-05-1251	150 pF	2-5%, PP	
(20)	D.....1	50-04-0122	1N 4001	to 4006	ITT,Mot
(20)	D.....2	50-04-0908	1N 4355	1N 4351; RG 1 D; A 114 B	Mot-GI
(20)	D.....3	50-04-0908	1N 4355	1N 4351; RG 1 D; A 114 B	Mot-GI
(20)	D.....4	50-04-1101	3.9 V Z	REX 93C 3V9, 82X 95C 3V9, ZRD 3.0	ITT,Ses
(20)	D.....5	50-04-0125	1N 4448		Fc:ITT,Phi,Sem,TF
(20)	D.....6	50-04-0125	1N 4448		Fc:ITT,Phi,Sem,TF
(20)	D.....7	50-04-0125	1N 4448		Fc:ITT,Phi,Sem,TF
(20)	D.....8		not used	(High voltage protection)	
(20)	IC.....1	50-05-0286	LM 358 N	LM 358 P	NS,Mot,TFI
(20)	IC.....2	50-05-0286	LM 358 N	LM 358 P	NS,Mot,TFI
(20)	IC.....3	50-17-1123	74 HC 123	-74 HC 123 -	Mot+NS+Phi,REA+SGS,TFI,TO
(21)	IC.....3	50-17-1123	74 HC 123	-74 HC 123 -	Mot+TFI
(22)	IC.....3	50-17-1123	74 HC 123	-74 HC 123 -	Mot+NS+Phi,REA+SGS,TFI,TO
(20)	IC.....4	50-05-0286	LM 358 N	LM 358 P	NS,Mot,TFI
(22)	IC.....4	50-05-0279	IP5324MN		IPS

STUDER (22) 86/02/06 PB CAPSTAN MOTOR DRIVE AMPLIFIER 1.820.774.00 PAGE 1

IND.	POS-NO.	PART NO.	VALUE	SPECIFICATIONS / EQUIVALENT	MANUF.
(00)	IC.....5	50-05-0206	N 82513N	63 S 081 J	MHI/Siq
(20)	IC.....5	1-820-997-20		Commutation logic device	SI
(20)	IC.....6	50-04-0109	NE 5552 N	NE 5552 N; RC 532 NE	Exe,Ra/Siq
(20)	L.....3	1-022-251-00		Filtercoil	SI
(20)	P.....1		12 Cont.	see Note 1	
(20)	P.....2		6 Cont.	see Note 2	
(20)	P.....3	54-14-2002		16 Cont.	see Note 3
(20)	Q.....1	50-03-0491	BC 546B		ITT,Mot+Phi,Sie
(20)	Q.....2	50-03-0492	BC 546B		ITT,Mot+Phi,Sie
(20)	Q.....3	50-03-0501	BC 546B		Mot,Phi
(20)	Q.....4	50-03-0506	BC 546B		Mot,Phi
(20)	Q.....5	50-03-0501	BC 546B		Mot,Phi
(20)	Q.....6	50-03-0506	BC 546B		Mot,Phi
(20)	Q.....7	50-03-0502	BU 522		ITT,Phi
(20)	Q.....8	50-03-0502	BU 522		ITT,Phi
(20)	Q.....9	50-03-0502	BU 522		ITT,Phi
(20)	Q.....10	50-03-0513	BD 980 A	BDW 94 0; see note 6	Mot,SGS
(20)	Q.....11	50-03-0513	BD 980 A	BDW 94 0; see note 6	ITT,Phi,Sie
(20)	Q.....12	50-03-0520	BU 522	see note 6	Mot
(20)	Q.....13	50-03-0502	BU 522	see note 6	ITT,Phi,Sie
(20)	Q.....14	50-03-0513	BD 980 A	BDW 94 0; see note 6	Mot,SGS
(20)	Q.....15	50-03-0513	BD 980 A	BDW 94 0; see note 6	ITT,Phi,Sie
(20)	Q.....16	50-03-0520	BU 522	see note 6	Mot
(20)	Q.....17	50-03-0502	BU 522	see note 6	ITT,Phi,Sie
(20)	Q.....18	50-03-0513	BD 980 A	BDW 94 0; see note 6	Mot,SGS
(20)	Q.....19	50-03-0513	BD 980 A	BDW 94 0; see note 6	ITT,Phi,Sie
(20)	Q.....20	50-03-0520	BU 522	see note 6	Mot
(20)	R.....1	57-11-4273	27 kOhm	5%	
(20)	R.....2	57-11-4302	3.9 kOhm	5%	
(20)	R.....3	57-11-4302	3.9 kOhm	5%	
(20)	R.....4	57-11-4302	3.9 kOhm	5%	
(20)	R.....5	57-11-4302	3.9 kOhm	5%	
(20)	R.....6	57-11-4302	3.9 kOhm	5%	

STUDER (22) 86/02/06 PB CAPSTAN MOTOR DRIVE AMPLIFIER 1.820.774.00 PAGE 2

IND.	POS-NO.	PART NO.	VALUE	SPECIFICATIONS / EQUIVALENT	MANUF.
(20)	R.....7	57-11-4302	3.9 kOhm	5%	
(20)	R.....8	57-11-4302	3.9 kOhm	5%	
(20)	R.....9	57-11-4302	3.9 kOhm	5%	
(20)	R.....10	57-11-4302	3.9 kOhm	5%	
(20)	R.....11	57-11-4302	3.9 kOhm	5%	
(20)	R.....12	57-11-4302	3.9 kOhm	5%	
(20)	R.....13	57-11-4302	3.9 kOhm	5%	
(20)	R.....14	57-11-4302	3.9 kOhm	5%	
(20)	R.....15	57-11-4302	3.9 kOhm	5%	
(20)	R.....16	57-11-4302	3.9 kOhm	5%	
(20)	R.....17	57-11-4302	3.9 kOhm	5%	
(20)	R.....18	57-11-4302	3.9 kOhm	5%	
(20)	R.....19	57-11-4302	3.9 kOhm	5%	
(20)	R.....20	57-11-4302	3.9 kOhm	5%	
(20)	R.....21	57-11-4302	3.9 kOhm	5%	
(20)	R.....22	57-11-4302	3.9 kOhm	5%	
(20)	R.....23	57-11-4302	3.9 kOhm	5%	
(20)	R.....24	57-11-4302	3.9 kOhm	5%	
(20)	R.....25	57-11-4302	3.9 kOhm	5%	
(20)	R.....26	57-11-4302	3.9 kOhm	5%	
(20)	R.....27	57-11-4302	3.9 kOhm	5%	
(20)	R.....28	57-11-4302	3.9 kOhm	5%	
(20)	R.....29	57-11-4302	3.9 kOhm	5%	
(20)	R.....30	57-11-4302	3.9 kOhm	5%	
(20)	R.....31	57-11-4302	3.9 kOhm	5%	
(20)	R.....32	57-11-4302	3.9 kOhm	5%	
(20)	R.....33	57-11-4302	3.9 kOhm	5%	
(20)	R.....34	57-11-4302	3.9 kOhm	5%	
(20)	R.....35	57-11-4302	3.9 kOhm	5%	
(20)	R.....36		not used		
(20)	R.....38	57-11-4302	3.9 kOhm	5%	
(20)	R.....39	57-11-4302	3.9 kOhm	5%	
(20)	R.....40	57-11-4302	3.9 kOhm	5%	
(20)	R.....41	57-11-4302	3.9 kOhm	5%	
(20)	R.....42		not used		
(20)	R.....43	57-11-4302	3.9 kOhm	5%	
(20)	R.....44	57-11-4302	3.9 kOhm	5%	

STUDER (22) 86/02/06 PB CAPSTAN MOTOR DRIVE AMPLIFIER 1.820.774.00 PAGE 3

IND.	POS-NO.	PART NO.	VALUE	SPECIFICATIONS / EQUIVALENT	MANUF.
(20)	R.....45	57-11-4303	10 kOhm	5%	
(20)	R.....46	57-11-4303	10 kOhm	5%	
(20)	R.....47	57-11-4322	2.2 kOhm	5%	
(20)	R.....48		not used		
(20)	R.....49	57-11-4822	8.2 kOhm	5%	
(20)	R.....50	57-11-4822	8.2 kOhm	5%	
(20)	R.....51	57-11-4822	8.2 kOhm	5%	
(20)	R.....52	57-11-4302	10 kOhm	5%	
(20)	R.....53	57-11-4322	2.2 kOhm	5%	
(20)	R.....54	57-11-4303	10 kOhm	5%	
(20)	R.....55		not used		
(20)	R.....56	57-56-5108	0.1 Ohm	10%	
(20)	R.....57	57-56-5108	0.1 Ohm	10%	
(20)	R.....58	57-11-4322	2.2 kOhm	5%	
(20)	R.....59	57-11-5225	2.2 kOhm	5%	
(20)	R.....60	57-11-4322	2.2 kOhm	5%	
(20)	R.....61	57-11-4362	5.6 kOhm	5%	
(20)	R.....62	57-11-4303	10 kOhm	5%	
(20)	R.....63	57-11-4362	5.6 kOhm	5%	
(20)	R.....64	57-11-4303	10 kOhm	5%	
(20)	R.....65	57-11-4303	10 kOhm	5%	
(20)	R.....66	57-11-4323	2.2 kOhm	5%	
(20)	R.....67	57-11-4303	10 kOhm	5%	
(20)	R.....68	57-11-4323	2.2 kOhm	5%	
(20)	R.....69	57-11-4322	2.2 kOhm	5%	
(20)	R.....70		not used	(High voltage protection)	
(20)	RZ.....1	57-88-4303		see note 5	
(20)	TP.....1	29-21-6002		Test Point	
(20)	TP.....2	29-21-6002		Test Point	
(20)	TP.....3	29-21-6002		Test Point	
(20)	TP.....4	29-21-6002		Test Point	
(20)	TP.....5	29-21-6002		Test Point	
(20)	TP.....6	29-21-6002		Test Point	
(20)	TP.....7	29-21-6002		Test Point	
(20)	TP.....8	29-21-6002		Test Point	

STUDER (22) 86/02/06 PB CAPSTAN MOTOR DRIVE AMPLIFIER 1.820.774.00 PAGE 4

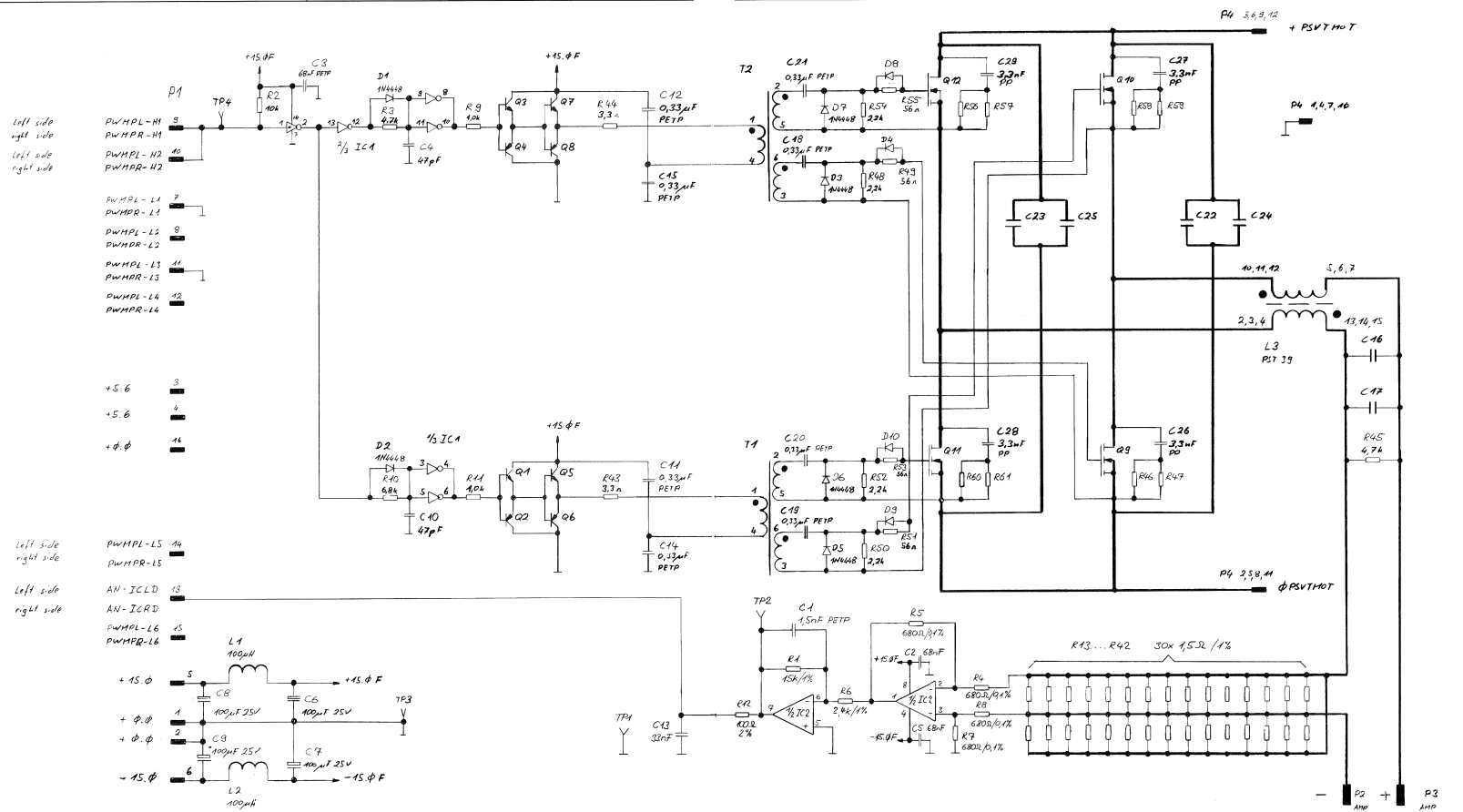
IND.	POS-NO.	PART NO.	VALUE	SPECIFICATIONS / EQUIVALENT	MANUF.
(21)	85-11-20	Improved clock synchronization performance.			
(22)	86-02-06	Clock level modification for new device IC 4.			
Note 1	Connector:				
Case:	Studer Nr.	54-02-0408			
Case:	Molex Nr.	03-06-2121			
Contact pin:	Studer Nr.	54-02-0408			
Contact pin:	Molex Nr.	02-06-9103			
Note 2 - Connector:					
Case:	Studer Nr.	54-02-0408			
Case:	Molex Nr.	03-06-2001			
Contact pin:	Studer Nr.	54-02-0408			
Contact pin:	Molex Nr.	02-06-9103			
Note 3 - Connector:					
Case:	Yamaichi Nr.	FAP-16-08-0055			
Case:	Bornly Nr.	80H 9 B 16 000 GS			
Note 4 - PIC Resistor 1.5 Ohm:	Philips Nr.	2322 666 16011			
may be replaced by two PIC Resistors 2.5 Ohm:	Studer Nr.	57-99-0210			
(Position: 1 5 and 5 1.)					
Note 5 - Resistor networks:	5% 8 = 10 kOhm				
Bourns Nr.	6409 X - 101 - 103				
Deukeman Nr.	L 09 L = 10 k				
Sorapan Nr.	256 CJ 103 XZ PD				
Mitsubishi Nr.	F 9 E 10 X 5%				
Tama Nr.	MG 09 X 10 k J				
Note 6 - For excellent w/w and flutter values at 3.75 ips the w/w -					
respective the w/w - resistors should be from the same					
manufacturer.					
ConCeramic: EI=Electrolytic; PET=Polyester Film; PP=Polypropylon					

STUDER (22) 86/02/06 PB CAPSTAN MOTOR DRIVE AMPLIFIER 1.820.774.00 PAGE 5

IND.	POS-NO.	PART NO.	VALUE	SPECIFICATIONS / EQUIVALENT	MANUF.
(20)	R.....45	57-11-4303	10 kOhm	5%	
(20)	R.....46	57-11-4303	10 kOhm	5%	
(20)	R.....47	57-11-4322	2.2 kOhm	5%	
(20)	R.....48		not used		
(20)	R.....49	57-11-4822	8.2 kOhm	5%	
(20)	R.....50	57-11-4822	8.2 kOhm	5%	
(20)	R.....51	57-11-4822	8.2 kOhm	5%	
(20)	R.....52	57-11-4302	10 kOhm	5%	
(20)	R.....53	57-11-4322	2.2 kOhm	5%	
(20)	R.....54	57-11-4303	10 kOhm	5%	
(20)	R.....55		not used		
(20)	R.....56	57-56-5108	0.1 Ohm	10%	
(20)	R.....57	57-56-5108	0.1 Ohm	10%	
(20)	R.....58	57-11-4322	2.2 kOhm	5%	
(20)	R.....59	57-11-5225	2.2 kOhm	5%	
(20)	R.....60	57-11-4322	2.2 kOhm	5%	
(20)	R.....61	57-11-4362	5.6 kOhm	5%	
(20)	R.....62	57-11-4303	10 kOhm	5%	
(20)	R.....63	57-11-4362	5.6 kOhm	5%	
(20)	R.....64	57-11-4303	10 kOhm	5%	
(20)	R.....65	57-11-4303	10 kOhm	5%	
(20)	R.....66	57-11-4323	2.2 kOhm	5%	
(20)	R.....67	57-11-4303	10 kOhm	5%	
(20)	R.....68	57-11-4323	2.2 kOhm	5%	
(20)	R.....69	57-11-4322	2.2 kOhm	5%	
(20)	R.....70		not used	(High voltage protection)	
(20)	RZ.....1	57-88-4303		see note 5	
(20)	TP.....1	29-21-6002		Test Point	
(20)	TP.....2	29-21-6002		Test Point	
(20)	TP.....3	29-21-6002		Test Point	
(20)	TP.....4	29-21-60			

R _____
 C _____

R _____
 C _____



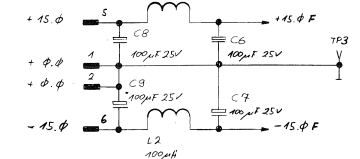
left side
 right side
 left side
 right side

- PWMPL-H1
- PWMHR-H1
- PWMPL-H2
- PWMHR-H2
- PWMPL-L1
- PWMHR-L1
- PWMPL-L2
- PWMHR-L2
- PWMPL-L3
- PWMHR-L3
- PWMPL-L4
- PWMHR-L4

- +5.6
- +5.6
- +φ.φ

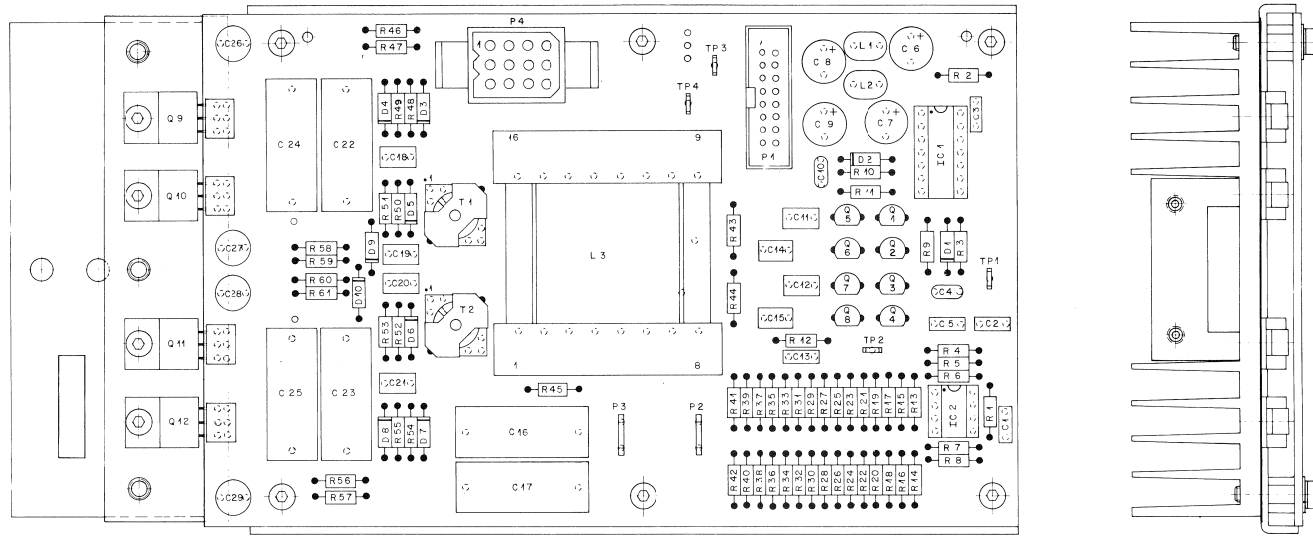
left side
 right side
 left side
 right side

- PWMPL-L5
- PWMHR-L5
- AN-ICLD
- AN-ICRD
- PWMPL-L6
- PWMHR-L6



- IC1 : 40044 CMOS Sch-M Trigger
- IC2 : NE5532M CBE
- Q2, Q4, Q6, Q8 : BC327 CBE Bottom view
- Q1, Q3, Q5, Q7 : BC327 CBE Bottom view
- Q9...Q12 : GD5 CBE Bottom view
- R46, 47, 56...61 : 4,7 Ω
- C10, C12, C22, C25 : 6,8 μF MFC
- D4, D8, D9, D10 : 1N4448

25.10.84 of	A 820 Tape Transport Section	
STUDER	Spooling Motor Drive Amplifier ESE SC 1.820.775.81	PAGE 1 OF 1



IND.	POS.NO.	PART NO.	VALUE	SPECIFICATIONS / EQUIVALENT	MANUF.
R****44		57-11-4339	3.3 Ohm	10%	
R****45		57-11-4472	4.7 kOhm	10%	
R****46		57-11-4479	4.7 Ohm	10%	
R****47		57-11-4479	4.7 Ohm	10%	
R****48		57-11-4222	2.2 kOhm	10%	
R****49		57-11-4560	56 Ohm	10%	
R****50		57-11-4222	2.2 kOhm	10%	
R****51		57-11-4560	56 Ohm	10%	
R****52		57-11-4222	2.2 kOhm	10%	
R****53		57-11-4560	56 Ohm	10%	
R****54		57-11-4222	2.2 kOhm	10%	
R****55		57-11-4560	56 Ohm	10%	
R****56		57-11-4479	4.7 Ohm	10%	
R****57		57-11-4479	4.7 Ohm	10%	
R****58		57-11-4479	4.7 Ohm	10%	
R****59		57-11-4479	4.7 Ohm	10%	
R****60		57-11-4479	4.7 Ohm	10%	
R****61		57-11-4479	4.7 Ohm	10%	
T****1		L022-247-00		Drive transformer	St
T****2		L022-247-00		Drive transformer	St
TP****1		54-02-0320		Testpoint	
TP****2		54-02-0320		Testpoint	
TP****3		54-02-0320		Testpoint	
TP****4		54-02-0320		Testpoint	
X0****1		50-20-1017	FO 220	RM 2,5%	
X0****2		50-20-1017	FO 220	RM 2,5%	
X0****3		50-20-1017	FO 220	RM 2,5%	
X0****4		50-20-1017	FO 220	RM 2,5%	

STUDER (01) 85/03/26 CK SPOOLING MOTOR DRIVE AMPLIFIER 1.820.775.81 PAGE 4

IND.	POS.NO.	PART NO.	VALUE	SPECIFICATIONS / EQUIVALENT	MANUF.
C****1		59-06-0152	1.5 nF	10%	
C****2		59-06-0083	68 nF	10%	
C****3		59-06-0083	68 nF	20%	
C****4		59-34-0700	97 uF	5%	
C****5		59-06-0083	68 nF	20%	
C****6		59-22-5101	100 uF	25%	
C****7		59-22-5101	100 uF	25%	
C****8		59-22-5101	100 uF	25%	
C****9		59-22-5101	100 uF	25%	
C****10		59-34-0700	97 uF	5%	
C****11		59-06-0334	330 nF	10%/us	
C****12		59-06-0334	330 nF	10%/us	
C****13		59-06-0334	33 nF	10%	
C****14		59-06-0334	330 nF	10%/us	
C****15		59-06-0334	330 nF	10%/us	
C****16		59-06-0268	6.8 uF	5%	
C****17		59-22-0268	6.8 uF	5%	
C****18		59-06-0334	330 nF	10%/us	
C****19		59-06-0334	330 nF	10%/us	
C****20		59-06-0334	330 nF	10%/us	
C****21		59-06-0334	330 nF	10%/us	
C****22		59-06-0268	6.8 uF	5%/1V/us	
C****23		59-06-0268	6.8 uF	5%/1V/us	
C****24		59-06-0268	6.8 uF	5%/1V/us	
C****25		59-06-0268	6.8 uF	5%/1V/us	
C****26		59-05-2332	3.3 nF	5%/1000V/us	
C****27		59-05-2332	3.3 nF	5%/1000V/us	
C****28		59-05-2332	3.3 nF	5%/1000V/us	
C****29		59-05-2332	3.3 nF	5%/1000V/us	

STUDER (01) 85/03/26 CK SPOOLING MOTOR DRIVE AMPLIFIER 1.820.775.81 PAGE 1

IND.	POS.NO.	PART NO.	VALUE	SPECIFICATIONS / EQUIVALENT	MANUF.
D****R		50-04-0125	1N 4448		Fc:ITT+Ph:Seis+Tf
D****P		50-04-0125	1N 4448		Fc:ITT+Ph:Seis+Tf
D****L		50-04-0125	1N 4448		Fc:ITT+Ph:Seis+Tf
IC****1		50-07-0014	60 014 BPL	MC14 584 BCP	Fc:Sig:Mo+H5
IC****2		50-04-0105	NE 5532 N	NE 5532 N	Ex:Sig
IC****3		50-09-0106	NE 5532 AN	NE 5532 AN	Ex:Sig
L****1		82-42-3101	100 uH		St
L****2		82-42-3101	100 uH		St
L****3		1-022-246-90		Choke coil	St
P****1		36-14-2002			see note 1
P****2		34-02-0335			
P****3		34-02-0335			
P****4		34-02-0300			see note 2
U****1		50-03-0340	8C 337-25		ITT+NS-Ph:Seis
U****2		50-03-0351	8C 327-25		ITT+Ph:Seis
U****3		50-03-0340	8C 337-25		ITT+NS-Ph:Seis
U****4		50-03-0351	8C 327-25		ITT+Ph:Seis
U****5		50-03-0340	8C 337-25		ITT+NS-Ph:Seis
U****6		50-03-0351	8C 327-25		ITT+Ph:Seis
U****7		50-03-0340	8C 337-25		ITT+NS-Ph:Seis
U****8		50-03-0351	8C 327-25		ITT+Ph:Seis
U****9		50-03-1503	18F 542		18uPh:Seis
U****10		50-03-1503	18F 542		18uPh:Seis
U****11		50-03-1503	18F 542		18uPh:Seis
U****12		50-03-1503	18F 542		18uPh:Seis
U****13		57-11-3153	15 kOhm	1%	
U****14		57-11-3153	10 kOhm	10%	
U****15		57-11-4472	4.7 kOhm	2%	
U****16		57-11-0199	680 Ohm	0.1%	
U****17		57-11-0199	680 Ohm	0.1%	
U****18		57-11-3127	1.2 kOhm	1%	
U****19		57-11-3242	2.4 kOhm	1%	

STUDER (01) 85/03/26 CK SPOOLING MOTOR DRIVE AMPLIFIER 1.820.775.81 PAGE 2

IND.	POS.NO.	PART NO.	VALUE	SPECIFICATIONS / EQUIVALENT	MANUF.
R****7		57-99-0199	680 Ohm	0.1%	
R****8		57-99-0199	680 Ohm	0.1%	
R****9		57-11-4102	1.0 kOhm	10%	
R****10		57-11-4102	1.0 kOhm	10%	
R****11		57-11-4101	100 Ohm	10%	
R****12		57-11-3155	1.5 Ohm	1%	
R****13		57-11-3155	1.5 Ohm	1%	
R****14		57-11-3155	1.5 Ohm	1%	
R****15		57-11-3155	1.5 Ohm	1%	
R****16		57-11-3155	1.5 Ohm	1%	
R****17		57-11-3155	1.5 Ohm	1%	
R****18		57-11-3155	1.5 Ohm	1%	
R****19		57-11-3155	1.5 Ohm	1%	
R****20		57-11-3155	1.5 Ohm	1%	
R****21		57-11-3155	1.5 Ohm	1%	
R****22		57-11-3155	1.5 Ohm	1%	
R****23		57-11-3155	1.5 Ohm	1%	
R****24		57-11-3155	1.5 Ohm	1%	
R****25		57-11-3155	1.5 Ohm	1%	
R****26		57-11-3155	1.5 Ohm	1%	
R****27		57-11-3155	1.5 Ohm	1%	
R****28		57-11-3155	1.5 Ohm	1%	
R****29		57-11-3155	1.5 Ohm	1%	
R****30		57-11-3155	1.5 Ohm	1%	
R****31		57-11-3155	1.5 Ohm	1%	
R****32		57-11-3155	1.5 Ohm	1%	
R****33		57-11-3155	1.5 Ohm	1%	
R****34		57-11-3155	1.5 Ohm	1%	
R****35		57-11-3155	1.5 Ohm	1%	
R****36		57-11-3155	1.5 Ohm	1%	
R****37		57-11-3155	1.5 Ohm	1%	
R****38		57-11-3155	1.5 Ohm	1%	
R****39		57-11-3155	1.5 Ohm	1%	
R****40		57-11-3155	1.5 Ohm	1%	
R****41		57-11-3155	1.5 Ohm	1%	
R****42		57-11-3155	1.5 Ohm	1%	
R****43		57-11-4338	3.3 Ohm	10%	

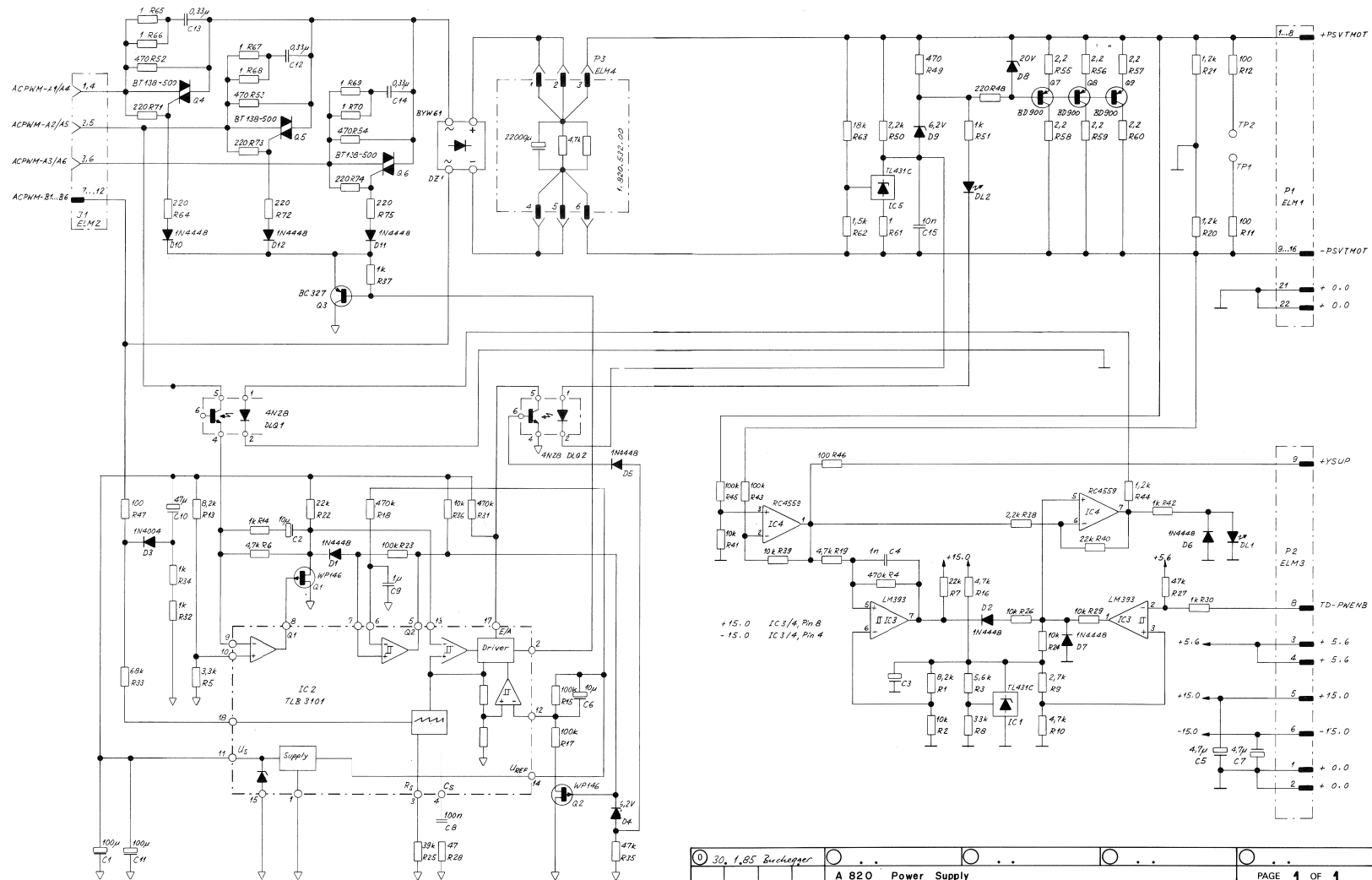
STUDER (01) 85/03/26 CK SPOOLING MOTOR DRIVE AMPLIFIER 1.820.775.81 PAGE 3

(1) 85-03-26 Correction of gain of current differential amplifier.

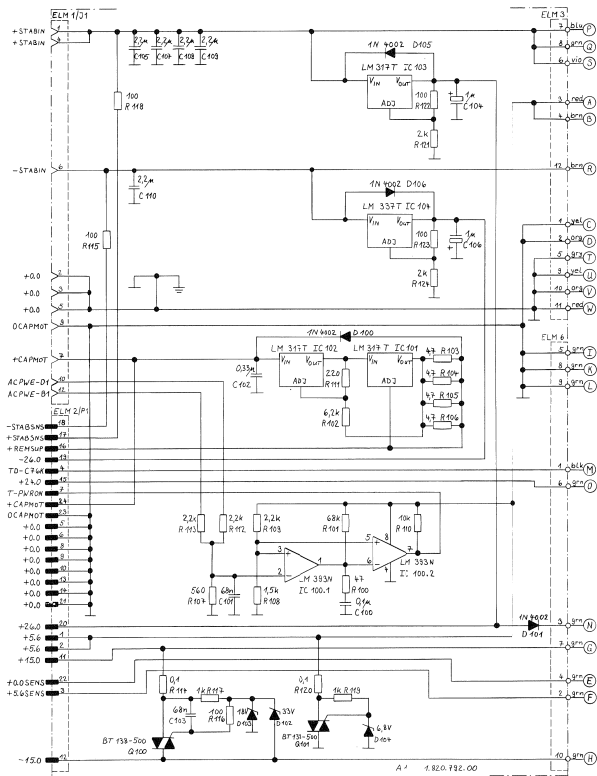
Note 1 - Plug 1: 16 Pin Yara(GH) FAP-16-08/4 Burnby BPH 9 B 16 800 GS

Note 2 - Molex plug 1: Studer 54-02-0406 Molex E2 pins Studer 54-02-0406
Manufacturers: Ex:Exar, Fc:Fairchild, ITT:Intermetall, Mo:Motorola, NS:National Semiconductors, Ph:Philips (incl:Volvo), Sig:Signetics, Si:Siemens, St:Studer, T:Teledetek.

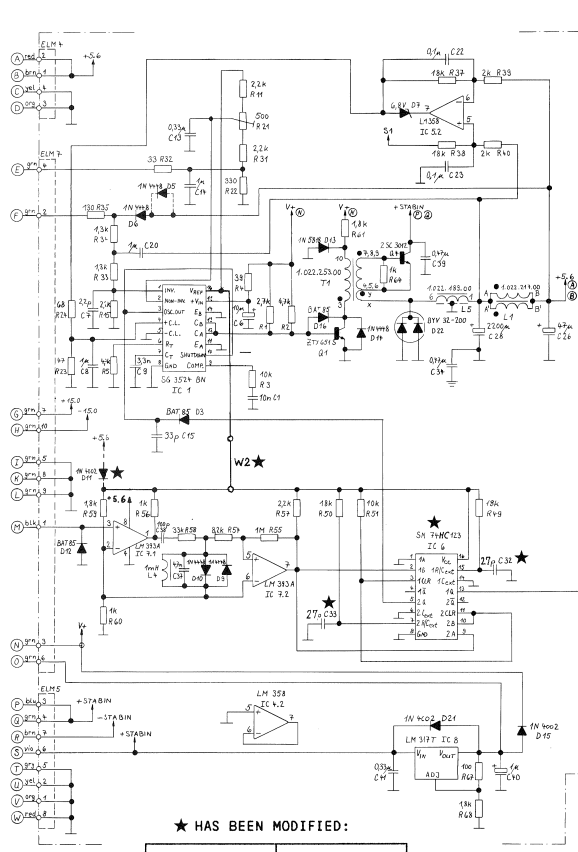
DRIG 84/10/25 (01) 85/03/26 STUDER (01) 85/03/26 CK SPOOLING MOTOR DRIVE AMPLIFIER 1.820.775.81 PAGE 5



① 30, 1,85 Zuercher				
A 820 Power Supply				PAGE 1 OF 1
STUDER Spooling Motor Supply			SC	1.820.777.00

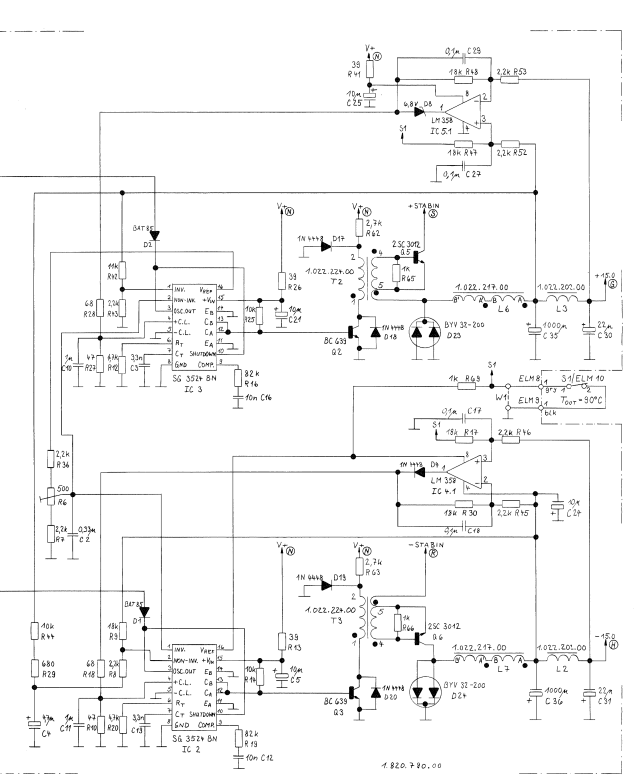


47.10.85 LN	A 820 Power Supply	PAGE 1 OF 2
STUDER	Switching Stabilizer	SC 1.820.790.81

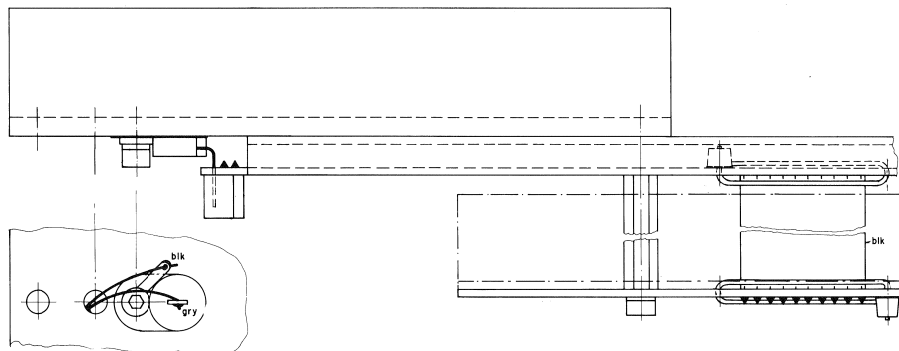
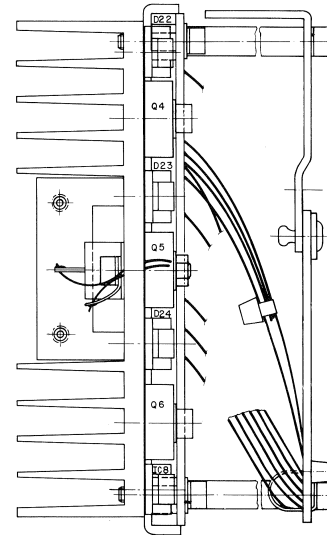
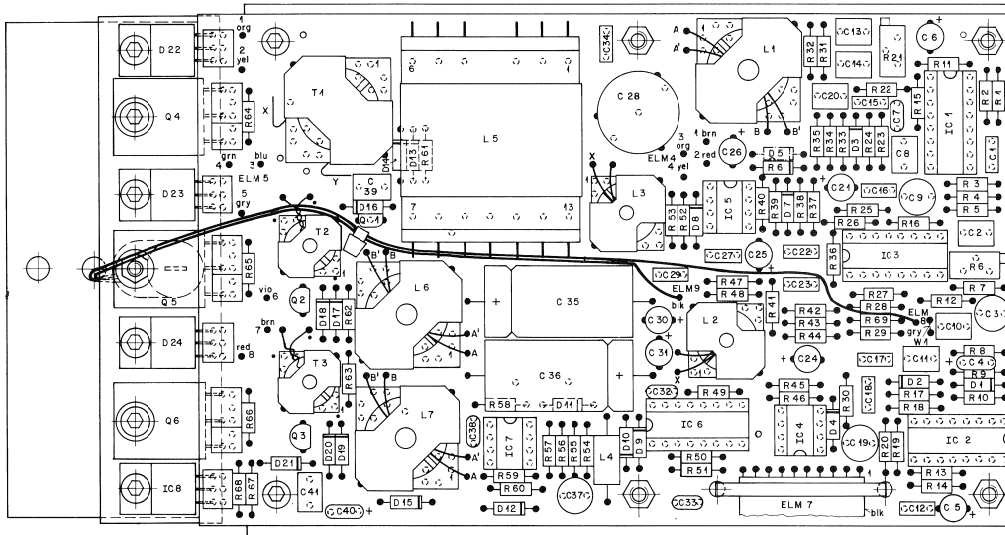


★ HAS BEEN MODIFIED:

	1.820.790.00	1.820.790.81
IC6	SN 74LS123 (50.06.0123)	SN 74HC123 (50.17.1123)
C32	68 pF 10% CER (59.32.1680)	27 of 10% CER (59.34.2270)
C33	68 pF 10% CER (59.32.1680)	27 of 10% CER (59.34.2270)
D11	1 N 4002 (50.04.0105)	NOT USED
W2	NOT USED	1.010.117.64



17.16.85 LN	A 820 Power Supply	PAGE 2 OF 2
STUDER	Switching Stabilizer	SC 1.820.790.81



IND.	POS.NO.	PART NO.	VALUE	SPECIFICATIONS / EQUIVALENT	MANUF.
A.....1	1.820.792.00			Stabilizer/Limiter Board	St
C.....1	59.06.0103	10 PF	10%	63V PETP	
C.....2	59.06.0334	0.33 uF	10%	63V PETP	
C.....3	59.05.2332	3.3 PF	25%	180V PP	
C.....4	59.05.2379	4.7 PF	10%	25V Ssl	Ph
C.....5	59.22.6100	10 uF	-20%	35V EI	
C.....6	59.22.6100	10 uF	-20%	35V EI	
C.....7	59.34.0279	2.2 PF	5%	63V Co	
C.....8	59.06.5105	1 uF	5%	63V PETP	
C.....9	59.05.2332	3.3 PF	25%	180V PP	
C.....10	59.06.5105	1 uF	5%	63V PETP	
C.....11	59.06.5105	1 uF	5%	63V PETP	
C.....12	59.06.0103	10 PF	10%	63V PETP	
C.....13	59.06.0334	0.33 uF	10%	63V PETP	
C.....14	59.06.0103	10 PF	10%	63V PETP	
C.....15	59.32.1330	33 PF	10%	Co	
C.....16	59.06.0103	10 PF	10%	63V PETP	
C.....17	59.06.5104	0.1 uF	5%	63V PETP	

IND.	POS.NO.	PART NO.	VALUE	SPECIFICATIONS / EQUIVALENT	MANUF.
C.....11	59.06.5104	0.1 uF	5%	63V PETP	
C.....12	59.05.2332	3.3 uF	25%	180V PP	
C.....13	59.06.5105	1 uF	5%	63V PETP	
C.....14	59.22.6100	10 uF	-20%	35V EI	
C.....15	59.06.5104	0.1 uF	5%	63V PETP	
C.....16	59.22.6100	10 uF	-20%	35V EI	
C.....17	59.22.6100	10 uF	-20%	35V EI	
C.....18	59.22.3470	17 uF	-20%	10V EI	
C.....19	59.06.5104	0.1 uF	5%	63V PETP	
C.....20	59.22.4222	2200 uF	-20%	16V EI	
C.....21	59.06.5104	0.1 uF	5%	63V PETP	
C.....22	59.22.5220	22 uF	-20%	25V EI	
C.....23	59.22.5220	22 uF	-20%	25V EI	
C.....24	59.32.1480	18 PF	10%	Co	
C.....25	59.32.1480	18 PF	10%	Co	
C.....26	59.06.0474	0.47 uF	10%	63V PETP	
C.....27	59.34.0102	1000 uF	-20%	25V EI	

IND.	POS.NO.	PART NO.	VALUE	SPECIFICATIONS / EQUIVALENT	MANUF.
C.....1	59.25.4102	1000 uF	-20%	25V EI	
C.....2	59.25.2472	4.7 PF	2.0%	180V PP	
C.....3	59.32.1301	100 PF	10%	Co	
C.....4	59.06.0474	0.47 uF	10%	63V PETP	Ph
C.....5	59.26.5109	1 uF	-20%	40V Ssl	
C.....6	59.06.0334	0.33 uF	10%	63V PETP	
D.....1	50.04.0127	RAF 85	BAS 40-02		Ph/Sie
D.....2	50.04.0127	RAF 85	BAS 40-02		Ph/Sie
D.....3	50.04.0127	RAF 85	BAS 40-02		Ph/Sie
D.....4	50.04.0125		IN 4448		Ph/Sie
D.....5	50.04.0125		IN 4448		Ph/Sie
D.....6	50.04.0125		IN 4448		Ph/Sie
D.....7	50.04.1022	6x V Z	R2K83CVH, 02X55CV8, ZPDx-B		Fc+ITT+Ph+Ses+Tf
D.....8	50.04.1022	6x V Z	R2K83CVH, 02X55CV8, ZPDx-B		ITT+Ses
D.....9	50.04.0125		IN 4448		Fc+ITT+Ph+Ses+Tf
D.....10	50.04.0125		IN 4448		Fc+ITT+Ph+Ses+Tf
D.....11	50.04.0105	1N4002	(... 4007)		Ph/Sie
D.....12	50.04.0127	RAF 85	BAS 40-02		Ph/Sie
D.....13	50.04.0112	1N 5818	1N 5819		Ph/Sie
D.....14	50.04.0125		IN 4448		Fc+ITT+Ph+Ses+Tf
D.....15	50.04.0105	1N4002	(... 4007)		Ph/Sie
D.....16	50.04.0127	RAF 85	BAS 40-02		Ph/Sie
D.....17	50.04.0125		IN 4448		Fc+ITT+Ph+Ses+Tf
D.....18	50.04.0125		IN 4448		Fc+ITT+Ph+Ses+Tf
D.....19	50.04.0125		IN 4448		Fc+ITT+Ph+Ses+Tf
D.....20	50.04.0125		IN 4448		Fc+ITT+Ph+Ses+Tf
D.....21	50.04.0105	1N4002	(... 4007)		Ph/Sie
D.....22	50.04.0117	RVF 32-200			Ph
D.....23	50.04.0117	RVF 32-200			Ph
D.....24	50.04.0117	RVF 32-200			Ph

IND.	POS.NO.	PART NO.	VALUE	SPECIFICATIONS / EQUIVALENT	MANUF.
IC.....1	50.05.0279	SG 3524 RN			SG
IC.....2	50.05.0279	SG 3524 RN			SG
IC.....3	50.05.0279	SG 3524 RN			SG
IC.....4	50.05.0286	LM 358 P	LM 358 P		Motor&SII
IC.....5	50.05.0286	LM 358 P	LM 358 P		Motor&SII
IC.....6	50.06.0123	74 LS 123N			MotorIT
IC.....7	50.05.0283	LM 358 N	LM 358 P, T001030P		NSI+ThomII
IC.....8	50.10.0104	LM 317 T	LM 317 KC, LM 317 SP		Motor&SII+ThomII
L.....1	1.022.217.00	11.5 uH		HF-Coil	St
L.....2	1.022.224.00	16.9 mH			St
L.....3	1.022.202.00	16.9 mH		see note 1	St
L.....4	1.022.189.00	130 uH		HF-Coil	St
L.....5	1.022.217.00	11.5 uH		HF-Coil	St
L.....7	1.022.217.00	11.5 uH		HF-Coil	St
Q.....1	50.03.0523	ZFK 651 S			Ph
Q.....2	50.03.0551	BC 639			Motor&Ph
Q.....3	50.03.0551	BC 639			Motor&Ph
Q.....4	50.03.0517	Z SC 3012			NEC
Q.....5	50.03.0517	Z SC 3012			NEC
Q.....6	50.03.0517	Z SC 3012			NEC
R.....1	57.11.4272	2.7 kOhm	5%		
R.....2	57.11.3472	4.7 kOhm	5%		
R.....3	57.11.3103	10 kOhm	5%		
R.....4	57.11.4390	39 Ohm	5%		
R.....5	57.11.3472	4.7 kOhm	5%		
R.....6	59.05.0501	500 Ohm		see note 2	
R.....7	57.11.3222	2.2 kOhm	5%		
R.....8	57.11.3222	2.2 kOhm	5%		
R.....9	57.11.3183	18 kOhm	5%		
R.....10	57.11.3470	4.7 kOhm	5%		
R.....11	57.11.3183	18 kOhm	5%		
R.....12	57.11.3472	4.7 kOhm	5%		
R.....13	57.11.3103	10 kOhm	5%		
R.....14	57.11.3103	10 kOhm	5%		
R.....15	57.11.3222	2.2 kOhm	5%		
R.....16	57.11.4823	48 kOhm	5%		
R.....17	57.11.3222	2.2 kOhm	5%		
R.....18	57.11.3690	68 Ohm	5%		
R.....19	57.11.3622	4.2 kOhm	5%		
R.....20	57.11.3622	4.2 kOhm	5%		
R.....21	57.11.3472	4.7 kOhm	5%		
R.....22	59.05.0301	300 Ohm		see note 2	
R.....23	57.11.4331	330 Ohm	5%		
R.....24	57.11.3183	18 kOhm	5%		
R.....25	57.11.3680	68 Ohm	5%		
R.....26	57.11.3680	68 Ohm	5%		
R.....27	57.11.4390	39 Ohm	5%		
R.....28	57.11.3680	68 Ohm	5%		
R.....29	57.11.3680	68 Ohm	5%		
R.....30	57.11.3680	68 Ohm	5%		
R.....31	57.11.3183	18 kOhm	5%		
R.....32	57.11.3222	2.2 kOhm	5%		
R.....33	57.11.4330	33 Ohm	5%		
R.....34	57.11.3183	18 kOhm	5%		
R.....35	57.11.3132	1.3 kOhm	5%		
R.....36	57.11.3132	1.3 kOhm	5%		
R.....37	57.11.3132	1.3 kOhm	5%		
R.....38	57.11.3222	2.2 kOhm	5%		
R.....39	57.11.3222	2.2 kOhm	5%		
R.....40	57.11.3103	10 kOhm	5%		
R.....41	57.11.3222	2.2 kOhm	5%		
R.....42	57.11.3222	2.2 kOhm	5%		
R.....43	57.11.3183	18 kOhm	5%		
R.....44	57.11.3183	18 kOhm	5%		
R.....45	57.11.3183	18 kOhm	5%		
R.....46	57.11.3183	18 kOhm	5%		
R.....47	57.11.3183	18 kOhm	5%		
R.....48	57.11.3183	18 kOhm	5%		
R.....49	57.11.3103	10 kOhm	5%		
R.....50	57.11.3183	18 kOhm	5%		
R.....51	57.11.3183	18 kOhm	5%		
R.....52	57.11.3183	18 kOhm	5%		
R.....53	57.11.3183	18 kOhm	5%		
R.....54	57.11.3183	18 kOhm	5%		
R.....55	57.11.4105	1 kOhm	5%		
R.....56	57.11.4105	1 kOhm	5%		
R.....57	57.11.3222	2.2 kOhm	5%		
R.....58	57.11.3222	2.2 kOhm	5%		
R.....59	57.11.3182	1.8 kOhm	5%		
R.....60	57.11.3182	1.8 kOhm	5%		
R.....61	57.11.3182	1.8 kOhm	5%		
R.....62	57.11.4272	2.7 kOhm	5%		
R.....63	57.11.4102	1 kOhm	5%		
R.....64	57.11.4102	1 kOhm	5%		
R.....65	57.11.4102	1 kOhm	5%		
R.....66	57.11.3101	100 Ohm	5%		
R.....67	57.11.3182	1.8 kOhm	5%		
R.....68	57.11.4102	1 kOhm	5%		
R.....69	57.11.4102	1 kOhm	5%		

W.....1 55.99.0133 see note 3

T.....1 1.022.253.00 Power Supply Drive Transformer St

T.....2 1.022.224.00 Power Supply Transformer St

T.....3 1.022.224.00 Power Supply Transformer St

W.....1 not used Wire bridge

Note 1 - 1 uH Inductivity, 10%

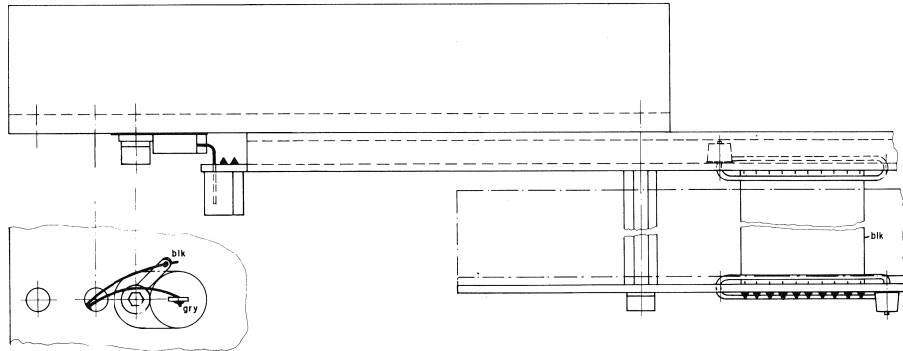
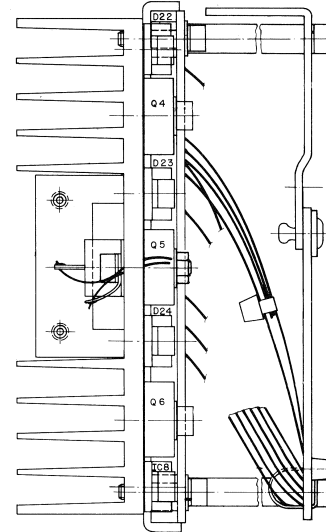
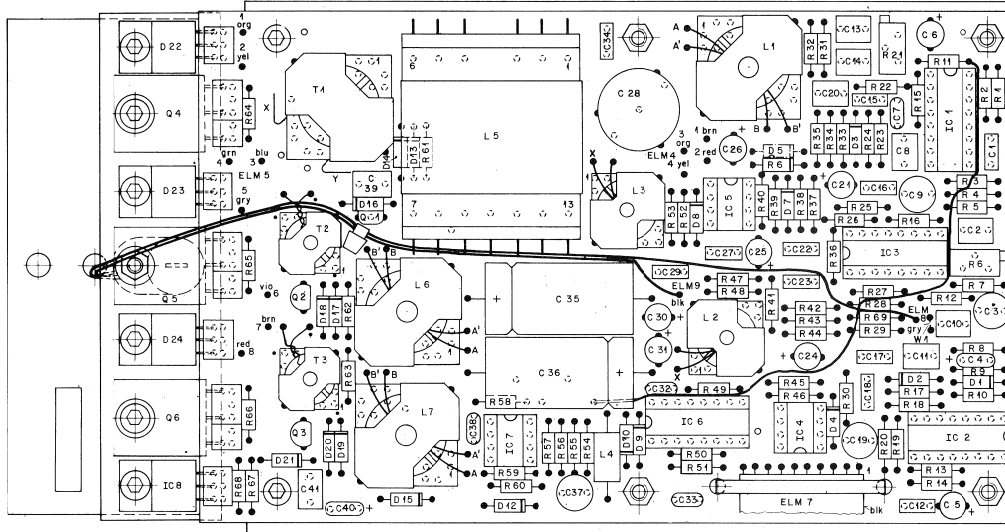
Note 2 - 500 Ohm Potentiometer 10%, 10%

Note 3 - Thermo-switch, 90 degrees Celsius

MANUFACTURERS: Fc=Fairchild, Fe=Ferranti, ITT=ITT Corporation, Motor=Motorola, NEC=Nippon Electric Corporation, Ph=Philips, Ses=Siemens, SII=Silicon General, SSI=SSI-Aerex, SIm=Siemens, T=Texas Instruments, Th=Thompson-CSF, TI=Texas Instruments.

DRIG 84/11/01

SWITCHING STABILIZER 1.820.790.00 PAGE 3 (LAST)

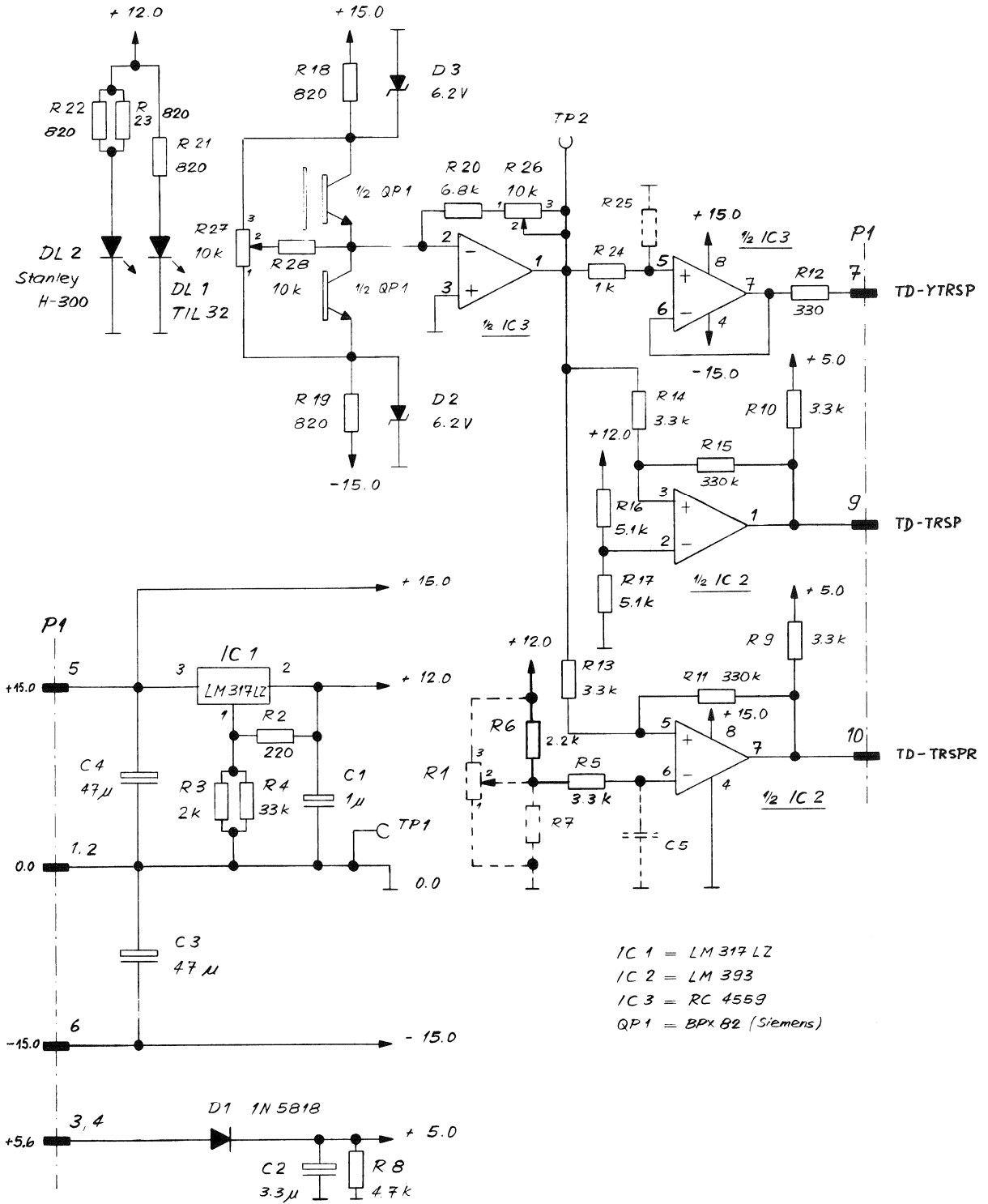


IND.	POS.NO.	PART NO.	VALUE	SPECIFICATIONS / EQUIVALENT	MANUF.
A.....1	1.820.790.00			Stabilizer/Limiter board	SE
C.....1	59.06.0103	10 nF	10%	63V, PETP	
C.....2	59.06.0334	0.33 uF	10%	63V, PETP	
C.....3	59.05.2332	1.5 nF	±20%	180V, PP	
C.....4	59.26.9179	6.7 uF	±20%	25V, SAI	PH
C.....5	59.22.6100	10 uF	-20%	35V, EI	
C.....6	59.22.6100	10 uF	-20%	35V, EI	
C.....7	59.36.0279	2.2 uF	5%	63V, Co	
C.....8	59.06.5105	1 uF	5%	63V, PETP	
C.....9	59.05.2332	1.5 nF	±20%	180V, PP	
C.....10	59.06.5105	1 uF	5%	63V, PETP	
C.....11	59.06.5105	1 uF	5%	63V, PETP	
C.....12	59.06.0103	10 nF	10%	63V, PETP	
C.....13	59.06.0334	0.33 uF	10%	63V, PETP	
C.....14	59.06.5105	1 uF	10%	63V, PETP	
C.....15	59.32.1330	33 pF	10%	Co	
C.....16	59.06.0103	10 nF	10%	63V, PETP	
C.....17	59.06.5104	0.1 uF	5%	63V, PETP	

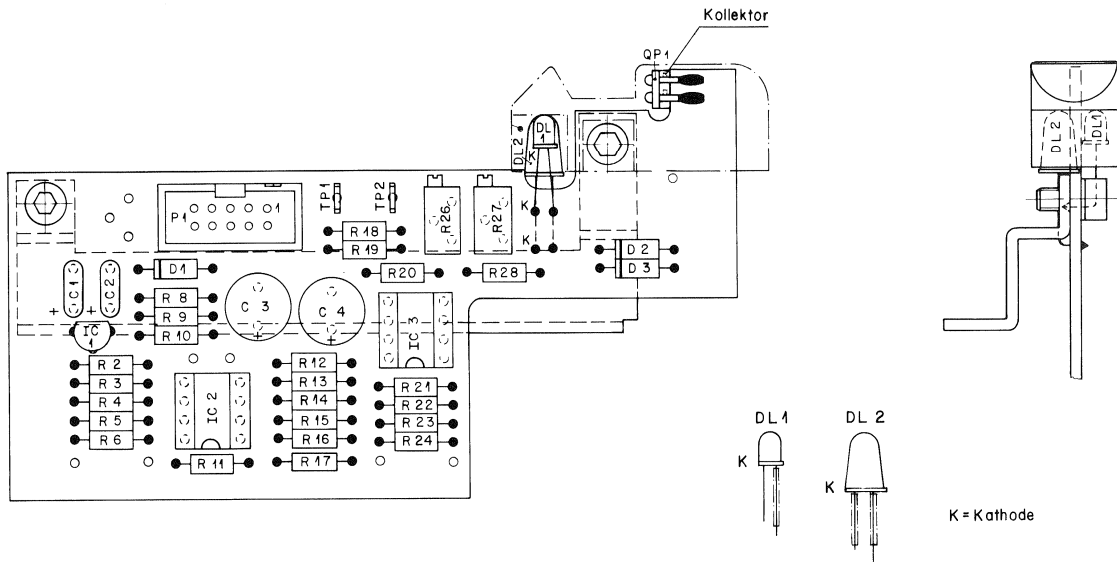
IND.	POS.NO.	PART NO.	VALUE	SPECIFICATIONS / EQUIVALENT	MANUF.
C.....18	59.06.5104	0.1 uF	5%	63V, PETP	
C.....19	59.05.2332	1.5 nF	±20%	180V, PP	
C.....20	59.06.5105	1 uF	5%	63V, PETP	
C.....21	59.22.6100	10 uF	-20%	35V, EI	
C.....22	59.06.5104	0.1 uF	5%	63V, PETP	
C.....23	59.06.5104	0.1 uF	5%	63V, PETP	
C.....24	59.22.6100	10 uF	-20%	35V, EI	
C.....25	59.22.6100	10 uF	-20%	35V, EI	
C.....26	59.22.3470	47 uF	-20%	10V, EI	
C.....27	59.06.5104	0.1 uF	5%	63V, PETP	
C.....28	59.22.4227	2200 uF	-20%	10V, EI	
C.....29	59.06.5105	1 uF	5%	63V, PETP	
C.....30	59.22.3220	22 uF	-20%	25V, EI	
C.....31	59.22.3220	22 uF	-20%	25V, EI	
C.....32	59.14.2770	27 pF	10%	Co	
C.....33	59.14.2770	27 pF	10%	Co	
C.....34	59.06.0474	0.47 uF	10%	63V, PETP	
C.....35	59.25.4102	1000 uF	-20%	25V, EI	

IND.	POS.NO.	PART NO.	VALUE	SPECIFICATIONS / EQUIVALENT	MANUF.
C.....36	59.25.4102	1000 uF	-20%	25V, EI	
C.....37	59.05.2477	4.7 uF	±20%	180V, PP	
C.....38	59.32.1101	10 pF	10%	Co	
C.....39	59.05.0178	0.47 uF	10%	63V, PETP	
C.....40	59.26.9109	0.47 uF	-20%	40V, SAI	PH
C.....41	59.06.0334	0.33 uF	10%	63V, PETP	
D.....1	50.04.0127	BAT 85	845	40-02	Ph5iE
D.....2	50.04.0127	BAT 85	845	40-02	Ph5iE
D.....3	50.04.0127	BAT 85	845	40-02	Ph5iE
D.....4	50.04.0125	IN 4448			Ph5iE
D.....5	50.04.0125	not used			
D.....6	50.04.0125	IN 4448			Ph5iE
D.....7	50.04.0102	6.8 V Z	BZ683C6V8, BZ683C6V8, ZPD6.8		ITT565
D.....8	50.04.0102	6.8 V Z	BZ683C6V8, BZ683C6V8, ZPD6.8		ITT565
D.....9	50.04.0125	IN 4448			Ph5iE
D.....10	50.04.0125	IN 4448			Ph5iE
D.....11	50.04.0127	BAT 85	845	40-02	Ph5iE
D.....12	50.04.0127	BAT 85	845	40-02	Ph5iE
D.....13	50.04.0512	IN 5818	IN 5819		Ph5iE
D.....14	50.04.0125	IN 4448			Ph5iE
D.....15	50.04.0105	3N002	(... 4007)		Ph5iE
D.....16	50.04.0127	BAT 85	845	40-02	Ph5iE
D.....17	50.04.0125	IN 4448			Ph5iE
D.....18	50.04.0125	IN 4448			Ph5iE
D.....19	50.04.0125	IN 4448			Ph5iE
D.....20	50.04.0125	IN 4448			Ph5iE
D.....21	50.04.0105	3N002	(... 4007)		Ph5iE
D.....22	50.04.0517	BRF 32-200			Ph5iE
D.....23	50.04.0517	BRF 32-200			Ph5iE
D.....24	50.04.0517	BRF 32-200			Ph5iE

IND.	POS.NO.	PART NO.	VALUE	SPECIFICATIONS / EQUIVALENT	MANUF.
IC.....1	50.05.0279	SG 3524	8N		SG
IC.....2	50.05.0279	SG 3524	8N		SG
IC.....3	50.05.0279	SG 3524	8N		SG
IC.....4	50.05.0286	LM 358 P			MoT-N54
IC.....5	50.05.0286	LM 358 N			MoT-N54
IC.....6	50.17.1123	74 HC 123N			N5Tno+II
IC.....7	50.05.0283	LM 358 N			MoT-N54
IC.....8	50.10.0104	LM 317 T			MoT-N54-SG+MoT
L.....1	L022-217.00	11.5 uH		HF-Coil	St
L.....2	L022-202.00	16.9 mH			St
L.....3	L022-202.00	16.9 mH			St
L.....4	62.21.0108			see note 1	St
L.....5	L022-189.00	130 uH			St
L.....6	L022-217.00	11.5 uH		HF-Coil	St
L.....7	L022-217.00	11.5 uH		HF-Coil	St
Q.....1	50.03.0523	ZTA 651 S			Ph
Q.....2	50.03.0591	DE 639			MoTePh
Q.....3	50.03.0591	DE 639			MoTePh
Q.....4	50.03.0517	Z SC 3012			NEC
Q.....5	50.03.0517	Z SC 3012			NEC
Q.....6	50.03.0517	Z SC 3012			NEC
R.....1	57.11.4272	2.7 kOhm	5%		
R.....2	57.11.3472	4.7 kOhm	5%		
R.....3	57.11.3103	10 kOhm	5%		
R.....4	57.11.4390	39 Ohm	5%		
R.....5	57.11.3072	67 Ohm	5%		
R.....6	58.05.0501	500 Ohm		see note 2	
R.....7	57.11.3222	2.2 kOhm	5%		
R.....8	57.11.3183	16 kOhm	5%		
R.....9	57.11.3470	47 Ohm	5%		
R.....10	57.11.3222	2.2 kOhm	5%		
R.....11	57.11.3472	4.7 kOhm	5%		
R.....12	57.11.3132	39 Ohm	5%		
R.....13	57.11.3103	10 kOhm	5%		
R.....14	57.11.4023	82 kOhm	2%		
R.....15	57.11.3103	10 kOhm	5%		
R.....16	57.11.3080	68 Ohm	5%		
R.....17	57.11.3083	82 kOhm	2%		
R.....18	57.11.3472	4.7 kOhm	5%		
R.....19	58.05.0501	500 Ohm		see note 2	
R.....20	57.11.4390	39 Ohm	5%		
R.....21	57.11.3470	47 Ohm	5%		
R.....22	57.11.3680	68 Ohm	5%		
R.....23	57.11.3103	10 kOhm	5%		
R.....24	57.11.3680	68 Ohm	5%		
R.....25	57.11.3080	68 Ohm	5%		
R.....26	57.11.4390	39 Ohm	5%		
R.....27	57.11.3080	68 Ohm	5%		
R.....28	57.11.3680	68 Ohm	5%		
R.....29	57.11.3183	16 kOhm	5%		
R.....30	57.11.3183	16 kOhm	5%		
R.....31	57.11.3222	2.2 kOhm	5%		
R.....32	57.11.4390	39 Ohm	5%		
R.....33	57.11.3132	1.5 kOhm	5%		
R.....34	57.11.3132	1.5 kOhm	5%		
R.....35	57.11.3331	130 Ohm	5%		
R.....36	57.11.3222	2.2 kOhm	5%		
R.....37	57.11.3183	16 kOhm	5%		
R.....38	57.11.3183	16 kOhm	5%		
R.....39	57.11.3202	2 kOhm	5%		
R.....40	57.11.3113	11 kOhm	5%		
R.....41	57.11.4390	39 Ohm	5%		
R.....42	57.11.3103	10 kOhm	5%		
R.....43	57.11.3222	2.2 kOhm	5%		
R.....44	57.11.3103	10 kOhm	5%		
R.....45	57.11.3222	2.2 kOhm	5%		
R.....46	57.11.3222	2.2 kOhm	5%		
R.....47	57.11.3183	16 kOhm	5%		
R.....48	57.11.3183	16 kOhm	5%		
R.....49	57.11.3183	16 kOhm	5%		
R.....50	57.11.3183	16 kOhm	5%		
R.....51	57.11.3103	10 kOhm	5%		
R.....52	57.11.3222	2.2 kOhm	5%		
R.....53	57.11.3222	2.2 kOhm	5%		
R.....54	57.11.4105	1 kOhm	2%		
R.....55	57.11.4105	1 kOhm	2%		
R.....56	57.11.3102	1 kOhm	5%		
R.....57	57.11.3222	2.2 kOhm	5%		
R.....58	57.11.3183	16 kOhm	5%		
R.....59	57.11.3102	1 kOhm	5%		
R.....60	57.11.4102	1 kOhm	5%		
R.....61	57.11.3102	1 kOhm	5%		
R.....62	57.11.0272	2.7 kOhm	5%		
R.....63	57.11.4272	2.7 kOhm	5%		
R.....64	57.11.4102	1 kOhm	5%		
R.....65	57.11.4102	1 kOhm	5%		
R.....66	57.11.3101	100 Ohm	5%		
R.....67	57.11.3101	100 Ohm	5%		
R.....68	57.11.4102	1 kOhm	5%		
R.....69	57.11.4102	1 kOhm	5%		
S.....1	55.96.0133			see note 3	
T.....1	L022.251.00			Power Supply Drive Transformer	St
T.....2	L022.224.00			Power Supply Transformer	St
T.....3	L022.224.00			Power Supply Transformer	St
W.....1	1.010.117.04	not used		Wire bridge	St



4.4.85 CK	A 820 Tape Transport Section
STUDER Opto Sensor	SC 1.820.793.81 PAGE 1 OF 1



IND.	POS.NO.	PART NO.	VALUE	SPECIFICATIONS / EQUIVALENT	MANUF.	IND.	POS.NO.	PART NO.	VALUE	SPECIFICATIONS / EQUIVALENT	MANUF.
C.....1		59.26.9109	1.0 uF	20%, 40V, Sa1	Ph	R.....17		57.11.3512	5.1 kOhm	1%	
C.....2		59.26.2339	3.3 uF	20%, 16V, Sa1	Ph	R.....18		57.11.4821	820 Ohm	2%	
C.....3		59.22.5470	47 uF	20%, 25V, E1		R.....19		57.11.4821	820 Ohm	2%	
C.....4		59.22.5470	47 uF	20%, 25V, E1		R.....20		57.11.4682	6.8 kOhm	2%	
C.....5				not used		R.....21		57.11.4821	820 Ohm	2%	
D.....1		50.04.0512	1N 5818	1N 5819	Mot	R.....22		57.11.4821	820 Ohm	2%	
D.....2		50.04.1118	6.2 V	5%, +40m+Z	ITT, Ses	R.....23		57.11.4821	820 Ohm	2%	
D.....3		50.04.1118	6.2 V	5%, +40m+Z	ITT, Ses	R.....24		57.11.4102	1.0 kOhm	2%	
DL.....1		50.04.2110	TIL 32	DP 160	Dp+TI	R.....25				not used	
DL.....2		50.04.2155	H=300	LED, red	Sty	R.....26		58.05.0103	10 kOhm	see note 2	
IC.....1		50.10.0108	LM 317 LZ		Mot, Nat	R.....27		58.05.0103	10 kOhm	see note 2	
IC.....2		50.05.0283	LM 393 N	LM 393 P	NS+TI	R.....28		57.11.4103	10 kOhm	2%	
IC.....3		50.09.0107	RC 4559NB	UPC 4559	Ray, NEC	TP.....1		54.02.0320		test pin	
P.....1		54.14.2001		see note 1		TP.....2		54.02.0320		test pin	
QP.....1		50.04.2154	BPX 82		Sie						
R.....1				not used							
R.....2		57.11.3221	220 Ohm	1%							
R.....3		57.11.3202	2 kOhm	1%							
R.....4		57.11.4333	33 kOhm	2%							
R.....5		57.11.4332	3.3 kOhm	2%							
R.....6		57.11.4222	2.2 kOhm	2%							
R.....7				not used							
R.....8		57.11.4472	4.7 kOhm	2%							
R.....9		57.11.4332	3.3 kOhm	2%							
R.....10		57.11.4332	3.3 kOhm	2%							
R.....11		57.11.4334	330 kOhm	2%							
R.....12		57.11.4331	330 Ohm	2%							
R.....13		57.11.4332	3.3 kOhm	2%							
R.....14		57.11.4332	3.3 kOhm	2%							
R.....15		57.11.4334	330 kOhm	2%							
R.....16		57.11.3512	5.1 kOhm	1%							

Note 1 - Connector: Yamachi Nr. FAP-10-08-4055
 Burndy Nr. BPH 9 B 16 B00 GS

Note 2 - Potentiometer: Bourns Nr. 3296 Z - 1 - 103
 Spectrol Nr. 64 Z 103 T 000

El=Electrolytic, Sa=Solid Aluminium
 Manufacturer: ITI=Intermetall, Mot=Motorola, Nat=National,
 NS=National Semiconductors, NEC=Nippon Electric Corp.,
 Dp=Opteron, Ph=Phillips, Ra=Raytheon, Ses=Sesocosem,
 Sie=Siemens, Sty=Stanley, TI=Texas Instruments.

DRIG 85/05/29