

STUDER

PROFESSIONAL AUDIO EQUIPMENT

Service Information

Appendix to A820 MCH Service Manual:

Section 9 Remote Controls / Fernsteuerungen
(Preliminary)

SI 121/88 10.85.6070 D/E

This SI 121/88 contains preliminary schematics of the following remote controls:

- Autolocator A820 21.328.230.00/21.328.240.00
- Audio Remote Control 8CH/24CH 21.328.501.00/21.328.503.00
- Parallel Channel Control Interface 21.328.500.00

Please file them under Section 9 in the Service Manual.
Service Manuals 10.27.0663 delivered after the 8. August 1988 already contain these schematics.

Diese SI 121/88 enthält vorläufige Schemata zu den folgenden Fernsteuerungen:

- Autolocator A820 21.328.230.00/21.328.240.00
- Audio Remote Control 8CH/24CH 21.328.501.00/21.328.503.00
- Parallel Channel Control Interface 21.328.500.00

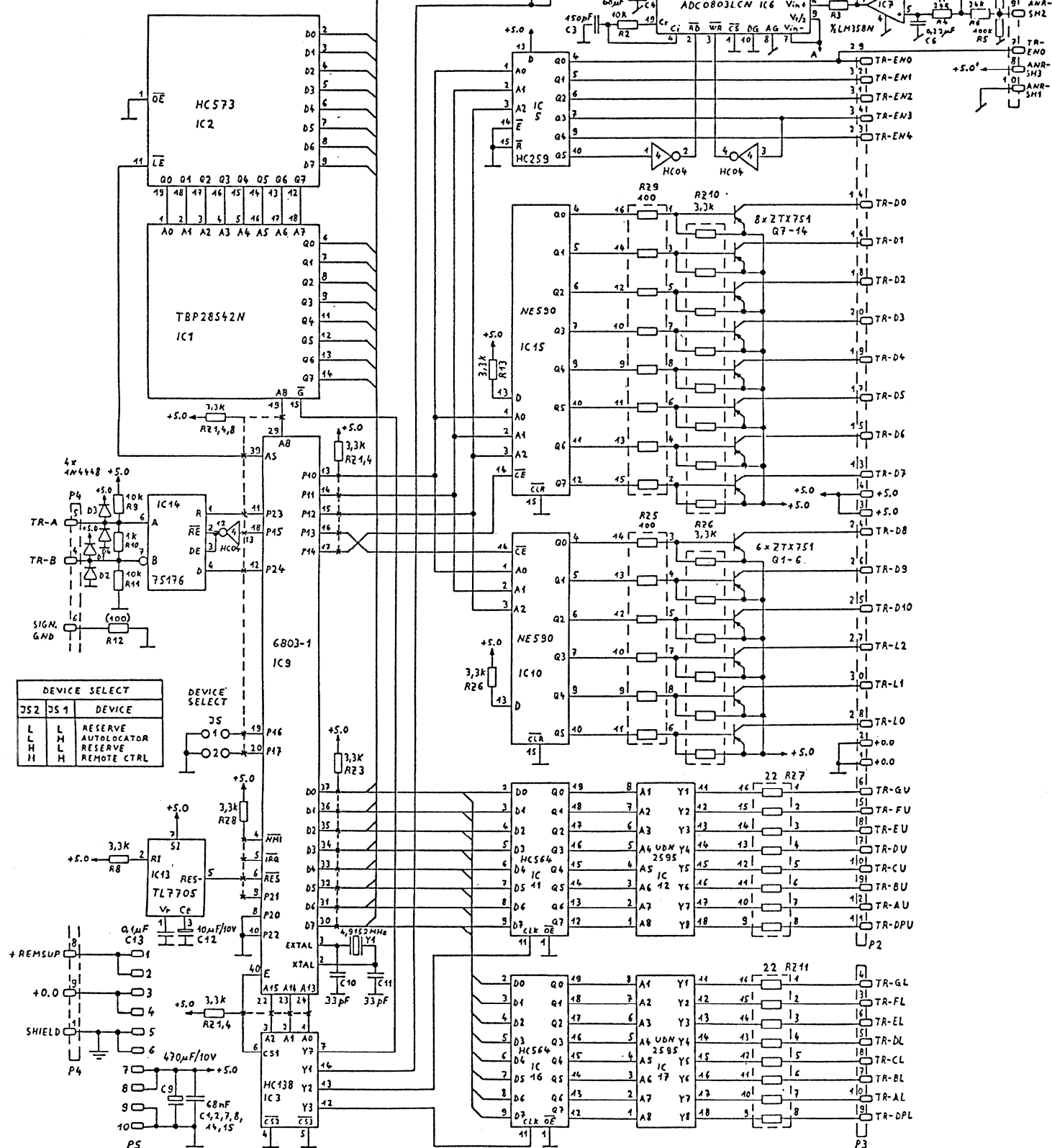
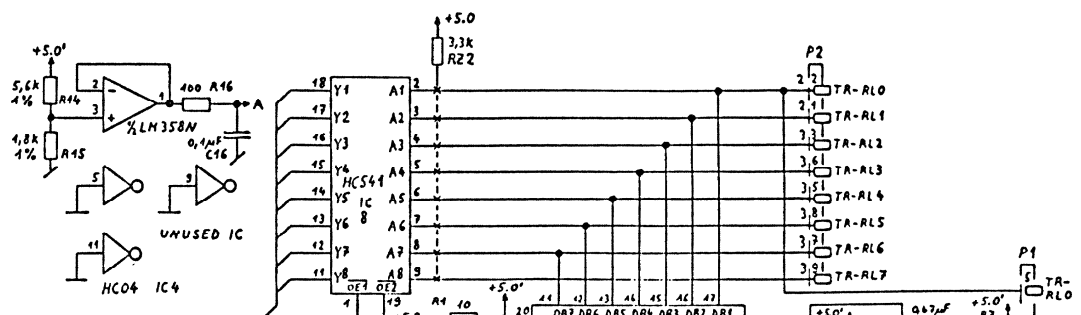
Bitte legen Sie diese unter Sektion 9 der Bedienungs- und Serviceanleitung ab.
Bedienungs- und Serviceanleitungen 10.27.0650 die nach dem 8. August 1988 ausgeliefert wurden, enthalten diese Schemata bereits.

9 D I A G R A M S R E M O T E C O N T R O L S E C T I O N

CONTENTS

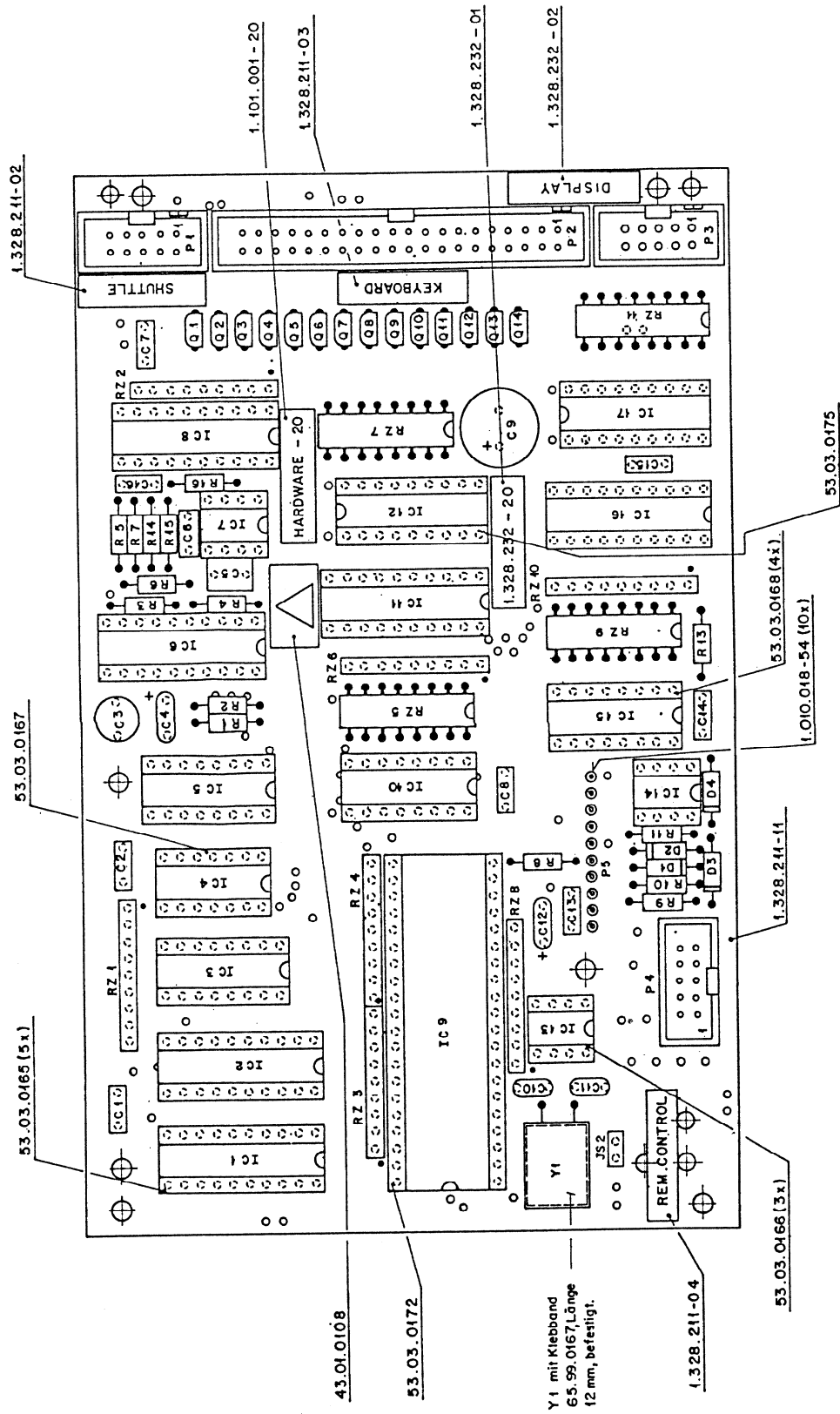
9.1	Autolocator A820 Cabinet	21.328.240.00	
	Autolocator A820 Module	21.328.230.00	
	Stabilizer Board	1.328.213.00	
	Autolocator Pushbutton/Display Board	1.328.231.00	
	Autolocator Driver Board	1.328.232.20	
	Autolocator Pushbutton Board	1.328.233.00	
9.2	Audio Remote Control 8CH	21.328.501.00	
	Audio Remote Control 24CH	21.328.503.00	
	Keyboard Driver	1.328.505.00	
	Keyboard 8CH	1.328.510.00	
	Keyboard 24CH	1.328.504.00	
	Basis Board VU Panel	1.820.705.00	see p. 8/49
	DC Converter +5.6 V	1.820.706.00	see p. 8/51
	MP Unit VU Panel	1.820.783.22	see p. 8/53
9.3	Parallel Channel Control Interface	21.328.500.00	
	Audio Parallel Remote Interface	1.328.506.00	
	Basis Board VU Panel	1.820.705.00	see p. 8/49
	DC Converter +5.6 V	1.820.706.00	see p. 8/51
	MP Unit Audio Remote	1.820.787.20	
	(Hardware identical to 1.820.781.20 (see p. 6/19), but with different Jumper settings)		

IC	+5.0 PIN	+0.0 PIN
13	8	4
14	8	5
4	14	7
3, 5, 10, 15	16	8
12, 17	9	10
1, 2, 8, 11, 16	20	10
9	7, 21	1



JS2	JS1	DEVICE
L	L	RESERVE
H	L	AUTOLOCATOR
L	H	RESERVE
H	H	REMOTE CTRL

JS	DEVICE SELECT
1	RESERVE
2	AUTOLOCATOR
3	RESERVE
4	REMOTE CTRL



Y1 mit Klebband
65.99.0167, Länge
12 mm, befestigt.

Norm-Nr.:	Quelle:	Änderung							
DIN-Bez.:	Beh.:								
Abmessung:									
Zugehörige Unterlagen:	Frmasachen-Nr.:	Masstab:							
PL	A.	2:1							
Erstellt für:	Erstellt durch:	Datum	10.12.86	Gez.		Gepr.		Index	
		Kopie Nr.:							

STUDIER
RECHENANLEITUNG
ZÜRICH

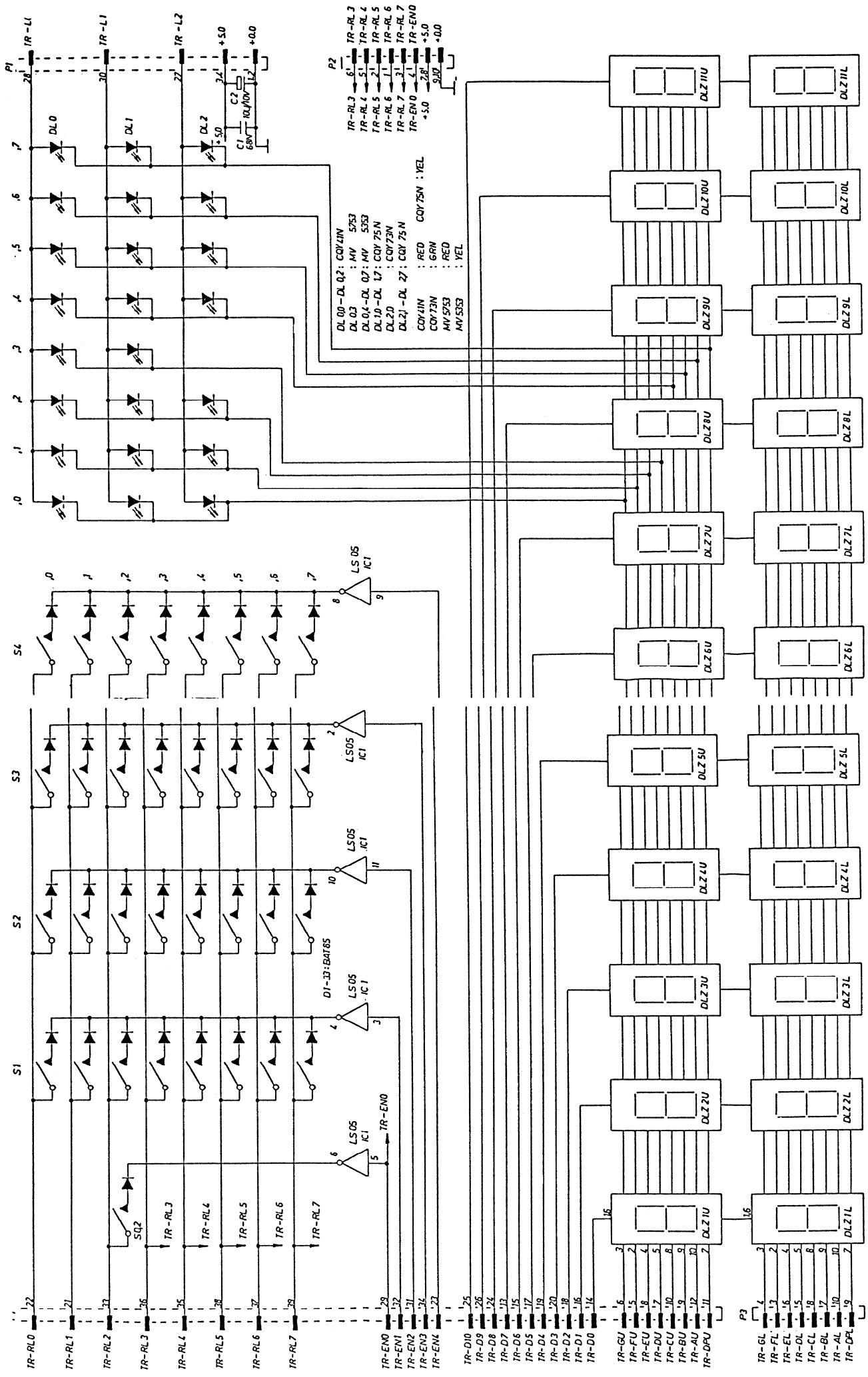
Autolocator Driver
Board "ESE"

Norm-Nr.: 1.328.232-00

IND.	POS.NO.	PART NO.	VALUE	SPECIFICATIONS / EQUIVALENT	MANUF.
(20)	C....01	59-06-0583	68 nF	102, 63V, PETP	
(20)	C....02	59-06-0583	68 nF	102, 63V, PETP	
(20)	C....03	59-05-2191	150 pF	252, 63V, PP	
(20)	C....04	59-06-0590	68 uF	102, 63V, SAL	
(20)	C....05	59-06-0574	470 nF	102, 63V, PETP	
(20)	C....06	59-06-0574	220 nF	102, 63V, PETP	
(20)	C....07	59-06-0583	68 nF	102, 63V, PETP	
(20)	C....08	59-06-0583	68 nF	102, 63V, PETP	
(20)	C....09	59-06-0583	68 nF	102, 63V, PETP	
(20)	C....10	59-06-0583	68 nF	102, 63V, PETP	
(20)	C....11	59-06-0583	68 nF	102, 63V, PETP	
(20)	C....12	59-06-0583	68 nF	102, 63V, PETP	
(20)	C....13	59-06-0583	68 nF	102, 63V, PETP	
(20)	C....14	59-06-0583	68 nF	102, 63V, PETP	
(20)	C....15	59-06-0583	68 nF	102, 63V, PETP	
(20)	C....16	59-06-0583	68 nF	102, 63V, PETP	
(20)	D....01	50-04-0125	1N 4448	FC, IIT, Ph, Sesi, Tf	
(20)	D....02	50-04-0125	1N 4448	FC, IIT, Ph, Sesi, Tf	
(20)	D....03	50-04-0125	1N 4448	FC, IIT, Ph, Sesi, Tf	
(20)	D....04	50-04-0125	1N 4448	FC, IIT, Ph, Sesi, Tf	
(20)	IC....01	50-14-0120	TDP28542N	TI	
(20)	IC....01	1-328-999-21		St	
(20)	IC....01	1-328-999-22	Software 50/86	St	
(20)	IC....02	50-17-1573	74 HC 573	Mot+NS, Ph+RCA, SGS, TI, To	
(20)	IC....03	50-17-1138	74 HC 138	Mot+NS, Ph+RCA, SGS, TI, To	
(20)	IC....04	50-17-1004	74 HC 04	Mot+NS, Ph+RCA, TI, To	
(20)	IC....05	50-17-1259	74 HC 259	Mot+NS, Ph+RCA, SGS, TI, To	
(20)	IC....06	50-07-0029	AOC08031CN	Is+NS	
(20)	IC....07	50-25-0286	LM 358 P	Mot+NS, TI	
(20)	IC....08	50-17-1541	74 HC 541	Mot+NS, Ph+RCA, SGS, TI, To	
(20)	IC....09	50-16-0107	MC 6803P-1	Hi, Mot	
(20)	IC....10	50-15-0102	NE 590 N	Sig	
(20)	IC....11	50-17-1564	74 HC 564	Mot+NS, Ph+RCA, SGS, TI, To	
(20)	IC....12	50-15-0118	UDN 2595A	Sp	
(20)	IC....13	50-11-0122	TL7705ACP	TI	
S T U D E R	(22)	87/06/05 BD	AUTOLOCATOR DRIVER BOARD	1-328-232-00	PAGE 1

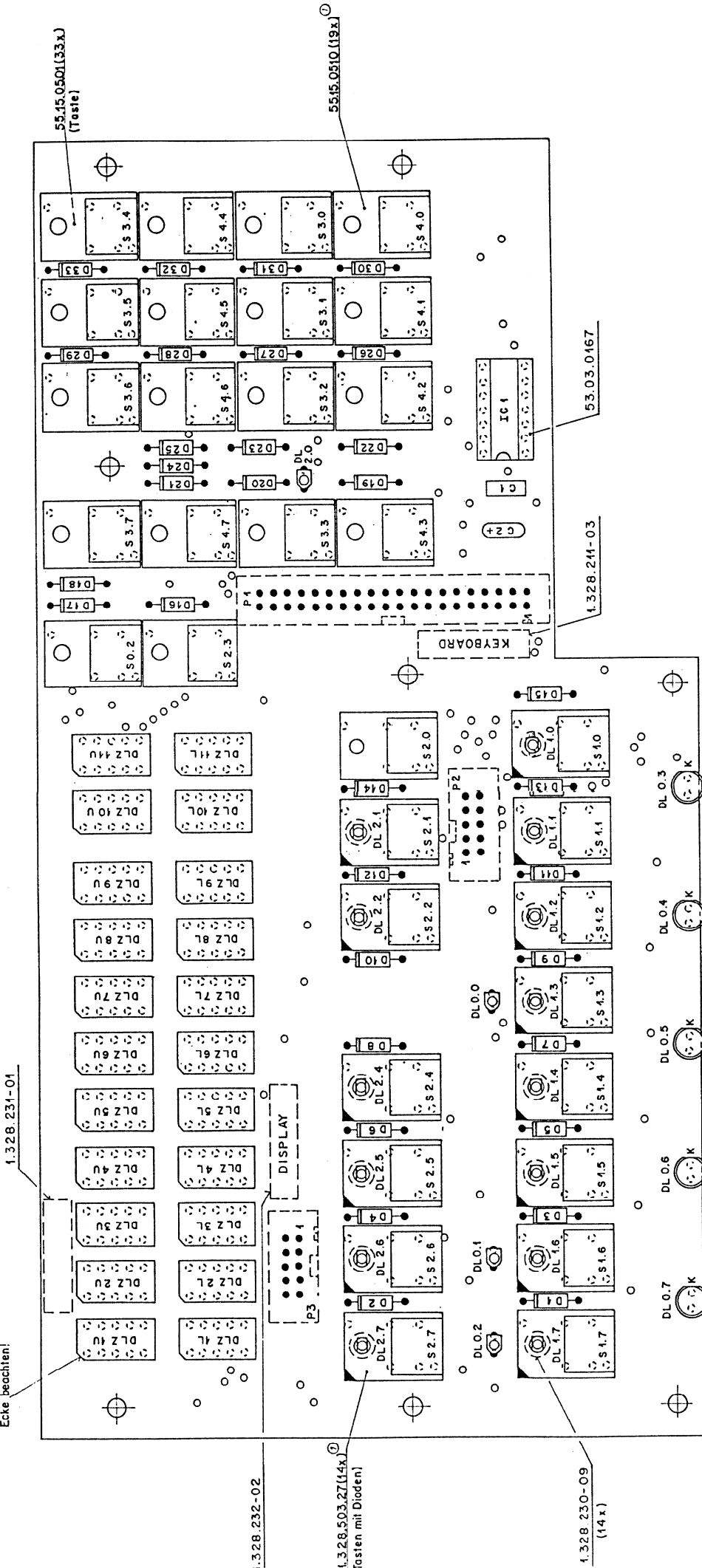
IND.	POS.NO.	PART NO.	VALUE	SPECIFICATIONS / EQUIVALENT	MANUF.
(20)	R....10	57-11-4102	1 kOhm	2Z	
(20)	R....11	57-11-4103	10 kOhm	2Z	
(20)	R....12		not used		
(20)	R....13	57-11-4332	3-3 kOhm	2Z	
(20)	R....14	57-11-3562	5-6 kOhm	1Z	
(20)	R....15	57-11-3182	1-8 kOhm	1Z	
(20)	R....16	57-11-4101	100 Ohm	2Z	
(20)	RZ....01	57-88-4332		Network, 8 3-3 kOhm, 5% single line	
(20)	RZ....02	57-88-4332		Network, 8 3-3 kOhm, 5% single line	
(20)	RZ....03	57-88-4332		Network, 8 3-3 kOhm, 5% single line	
(20)	RZ....04	57-88-4332		Network, 8 100 Ohm, 2% DIL 16	
(20)	RZ....05	57-88-4332		Network, 8 3-3 kOhm, 5% single line	
(20)	RZ....06	57-88-4332		Network, 8 22 Ohm, 2% DIL 16	
(20)	RZ....07	57-88-4332		Network, 8 3-3 kOhm, 5% single line	
(20)	RZ....08	57-88-4332		Network, 8 3-3 kOhm, 5% single line	
(20)	RZ....09	57-88-4332		Network, 8 100 Ohm, 2% DIL 16	
(20)	RZ....10	57-88-4332		Network, 8 22 Ohm, 2% DIL 16	
(20)	RZ....11	57-88-3220		Network, 8 22 Ohm, 2% DIL 16	
(20)	Y....01	89-01-0960	4-9152 MH	Z +-100 ppm, Nymph Nr. TO 18/NMP 049	
S T U D E R	(22)	87/06/05 BD	AUTOLOCATOR DRIVER BOARD	1-328-232-00	PAGE 3

IND.	POS.NO.	PART NO.	VALUE	SPECIFICATIONS / EQUIVALENT	MANUF.
(20)	08-10-86	PCB lay-out	-11		
(21)	Skipped.				
(22)	05-06-87	Software	29/87		
Note 1	Jumper Switch				
Note 2	Contact Pins: Studer Nr. 54.01.0020 Berg Nr. 75 160-102-36 Phillips Nr. 2422 025 89303				
1	Jumper	Studer Nr.	54.01.0021		
Note 2	Connector, 10 Contacts Studer Nr. 54.14.2001 Yamaichi Nr. FAP-10-08//4 Burnudy Nr. BPH 7 B 10 B00 GS				
Note 3	Connector, 40 Contacts Studer Nr. 54.14.2004 Yamaichi Nr. FAP-40-08//4 Burnudy Nr. BPH 9 B 40 B00 GS				
Note 4	Connector, 10 Pieces Studer Nr. 1-010-018-54				
CER=Ceramic, EL=Electrolytic, PETP=Polyester Film, PP=Polypropylen, SAL=Solid Aluminium.					
MANUFACTURERS: FC=Fairchild, Fe=Ferranti, Hi=Hitachi, Is=Intersil, ITT=Intermetall, Mot=Motorola, NS=National Semiconductors Ph=Phillips, RCA=RCA Corporation, Sesi=Secosem, SGS=SGS/Ates, Sig=Signetics, St=Studer, Tf=Teferfunken, TI=Texas Instruments, To=Toshiba.					
S T U D E R	(22)	87/06/05 RU	AUTOLOCATOR DRIVER BOARD	1-328-232-00	PAGE 4

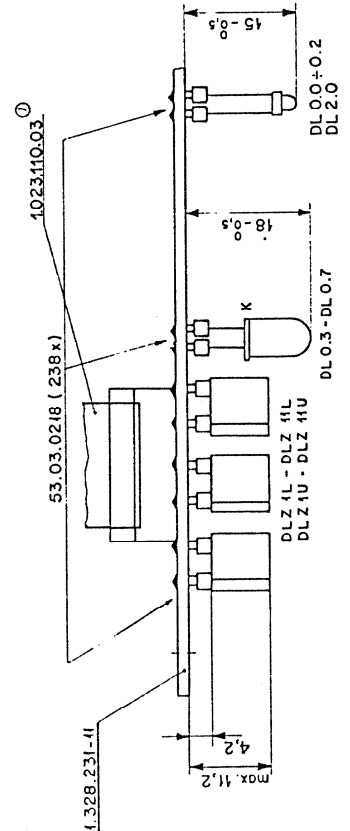


DLZ 1-11: FND 360

Ecke beachten!



DL 1.0 + DL 1.7 } Dioden mit Diodenhalter
DL 2.1 + DL 2.7 } 1.328.230-09 eingelötet



Achtung: DLZ 4L - DLZ 11L und DLZ 10U - DLZ 11U in zwei Linien ausgerichtet

Freistehende Dioden senkrecht stecken

Norm-Nr	Gute:	3.6.87	10/10
DIN-Bez	Ben:	8.12.86	A.Ho
Abmessung	Freiassoziananz	Datum	Gez: Gen: Gef: Ind:
Zugehörige Unterlagen:	Maßstab:	Ausgabe	
PL	2:1	3	
Einzel für:	Erstellt durch:	Kopie für:	
STUDER REGENSDORF ZÜRICH	AUTOLOC. PUSHBUTTON DISP. BOARD	1.328.231-00	

IND.	POS.NO.	PART NO.	VALUE	SPECIFICATIONS / EQUIVALENT	MANUF.
C.....01	59-06-0683	68 UF	104, PETP -20%, 10V, SAL		
C.....02	59-26-1100	10 UF			
D.....01	50-04-0127	RAT B5		Ph.Sie	
D.....02	50-04-0127	RAT B5		Ph.Sie	
D.....03	50-04-0127	RAT B5		Ph.Sie	
D.....04	50-04-0127	RAT B5		Ph.Sie	
D.....05	50-04-0127	RAT B5		Ph.Sie	
D.....06	50-04-0127	RAT B5		Ph.Sie	
D.....07	50-04-0127	RAT B5		Ph.Sie	
D.....08	50-04-0127	RAT B5		Ph.Sie	
D.....09	50-04-0127	RAT B5		Ph.Sie	
D.....10	50-04-0127	RAT B5		Ph.Sie	
D.....11	50-04-0127	RAT B5		Ph.Sie	
D.....12	50-04-0127	RAT B5		Ph.Sie	
D.....13	50-04-0127	RAT B5		Ph.Sie	
D.....14	50-04-0127	RAT B5		Ph.Sie	
D.....15	50-04-0127	RAT B5		Ph.Sie	
D.....16	50-04-0127	RAT B5		Ph.Sie	
D.....17	50-04-0127	RAT B5		Ph.Sie	
D.....18	50-04-0127	RAT B5		Ph.Sie	
D.....19	50-04-0127	RAT B5		Ph.Sie	
D.....20	50-04-0127	RAT B5		Ph.Sie	
D.....21	50-04-0127	RAT B5		Ph.Sie	
D.....22	50-04-0127	RAT B5		Ph.Sie	
D.....23	50-04-0127	RAT B5		Ph.Sie	
D.....24	50-04-0127	RAT B5		Ph.Sie	
D.....25	50-04-0127	RAT B5		Ph.Sie	
D.....26	50-04-0127	RAT B5		Ph.Sie	
D.....27	50-04-0127	RAT B5		Ph.Sie	
D.....28	50-04-0127	RAT B5		Ph.Sie	
D.....29	50-04-0127	RAT B5		Ph.Sie	
D.....30	50-04-0127	RAT B5		Ph.Sie	
D.....31	50-04-0127	RAT B5		Ph.Sie	
D.....32	50-04-0127	RAT B5		Ph.Sie	
D.....33	50-04-0127	RAT B5		Ph.Sie	

S T U D E R (01) 87/06/03 RD AUTOLOCATOR DISPLAY BOARD 1-328-231.00 PAGE 1

S T U D E R (01) 87/06/03 RD AUTOLOCATOR DISPLAY BOARD 1-328-231.00 PAGE 2

IND.	POS.NO.	PART NO.	VALUE	SPECIFICATIONS / EQUIVALENT	MANUF.
DLZ-U03	73-01-0130	HDSP7301		7-Segments, red	HP
DLZ-U04	73-01-0130	HDSP7301		7-Segments, red	HP
DLZ-U05	73-01-0130	HDSP7301		7-Segments, red	HP
DLZ-U06	73-01-0130	HDSP7301		7-Segments, red	HP
DLZ-U07	73-01-0130	HDSP7301		7-Segments, red	HP
DLZ-U08	73-01-0130	HDSP7301		7-Segments, red	HP
DLZ-U09	73-01-0130	HDSP7301		7-Segments, red	HP
DLZ-U10	73-01-0130	HDSP7301		7-Segments, red	HP
DLZ-U11	73-01-0130	HDSP7301		7-Segments, red	HP
IC....01	50-06-0005	74 LS'05			NS, sig+TI
P....01	54-14-2004			see note 2	
P....02	54-14-2001			see note 3	
P....03	1-023-110-03			flat cable 10 pin	
S....0-2	55-15-0501			see note 1	
S....1-0	55-15-0501			see note 1	
S....1-1	55-15-0501			see note 1	
S....1-2	55-15-0501			see note 1	
S....1-3	55-15-0501			see note 1	
S....1-4	55-15-0501			see note 1	
S....1-5	55-15-0501			see note 1	
S....1-6	55-15-0501			see note 1	
S....1-7	55-15-0501			see note 1	
S....2-0	55-15-0501			see note 1	
S....2-1	55-15-0501			see note 1	
S....2-2	55-15-0501			see note 1	
S....2-3	55-15-0501			see note 1	
S....2-4	55-15-0501			see note 1	
S....2-5	55-15-0501			see note 1	
S....2-6	55-15-0501			see note 1	
S....2-7	55-15-0501			see note 1	
S....3-0	55-15-0501			see note 1	
S....3-1	55-15-0501			see note 1	
S....3-2	55-15-0501			see note 1	
S....3-3	55-15-0501			see note 1	

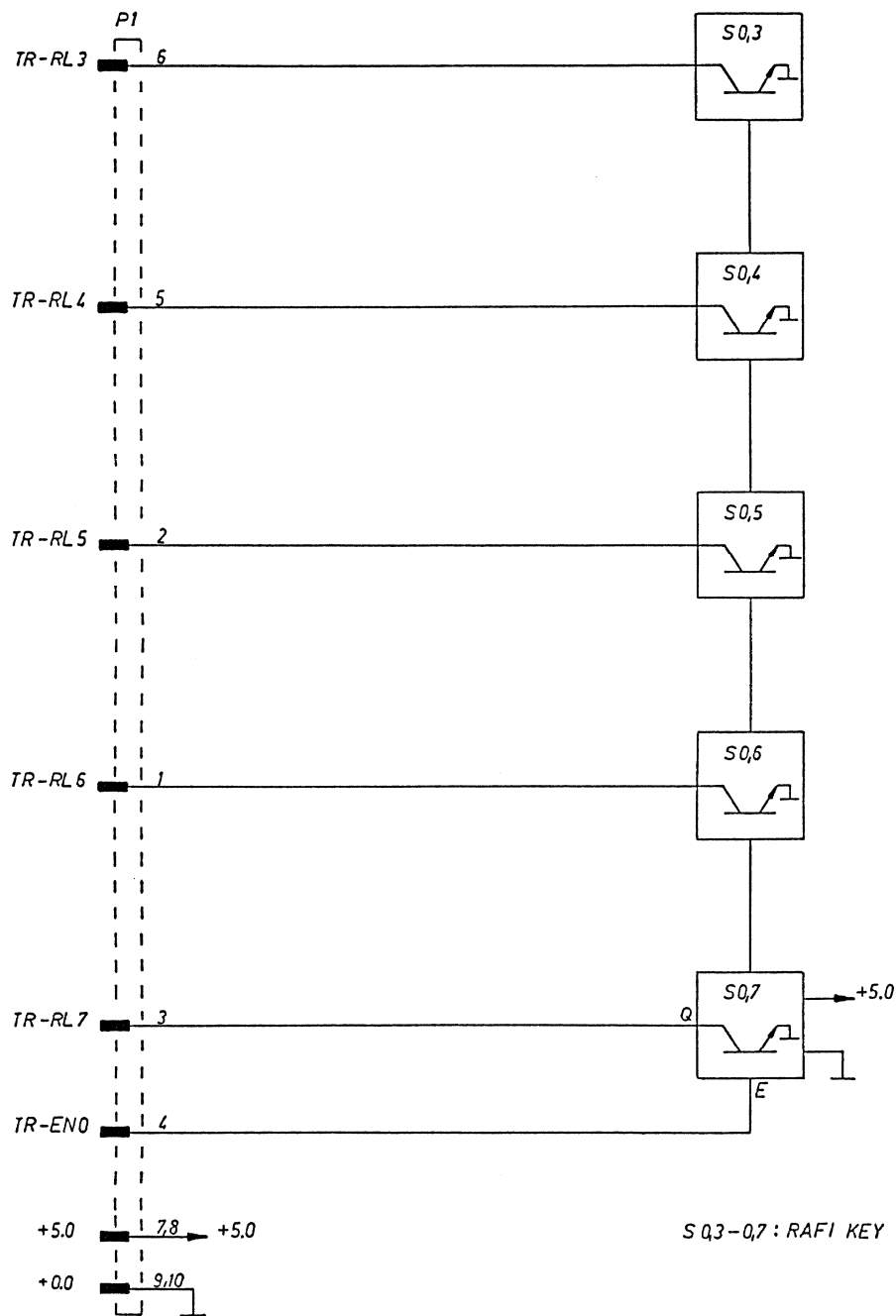
S T U D E R (01) 87/06/03 RD AUTOLOCATOR DISPLAY BOARD 1-328-231.00 PAGE 3

IND.	POS.NO.	PART NO.	VALUE	SPECIFICATIONS / EQUIVALENT	MANUF.
S...3-4	55-15-0501			see note 1	
S...3-5	55-15-0501			see note 1	
S...3-6	55-15-0501			see note 1	
S...3-7	55-15-0501			see note 1	
S...4-0	55-15-0501			see note 1	
S...4-1	55-15-0501			see note 1	
S...4-2	55-15-0501			see note 1	
S...4-3	55-15-0501			see note 1	
S...4-4	55-15-0501			see note 1	
S...4-5	55-15-0501			see note 1	
S...4-6	55-15-0501			see note 1	
S...4-7	55-15-0501			see note 1	
Note 1 - Change over switch non latching (Schadow)					
Note 2 - Connector 40 contacts: Yamaichi Nr. FAP-40-08z4 Burndy Nr. BPH 9 B 40 R00 65					
Note 3 - Connector 10 contacts: Yamaichi Nr. FAP-10-08z4 Burndy Nr. BPH 9 B 10 R00 65					
PETP=Polyester, SAL=Solid Aluminium					
MANUFACTURERS: CM=Chico Miniatur, GI=General Instruments, HP=Hewlett Packard, NS=National Semiconductors, PH=Philips, Sig=Signetics, TI=Texas Instruments					
ORIG 86/10/08	(01) 87/06/03				
S T U D E R	(01) 87/06/03 RD			AUTOLOCATOR DISPLAY BOARD	1-328-231-00 PAGE 4

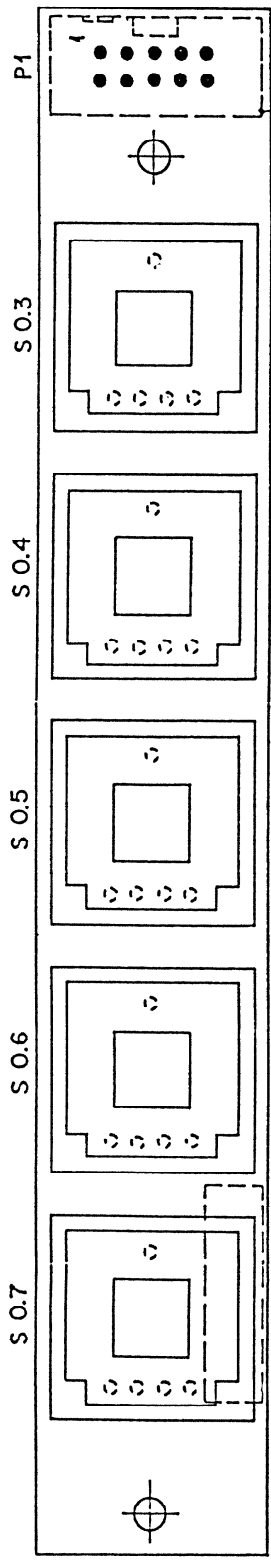
S T U D E R (01) 87/06/03 RD AUTOLOCATOR DISPLAY BOARD 1-328-231.00 PAGE 4

IND.	POS.NO.	PART NO.	VALUE	SPECIFICATIONS / EQUIVALENT	MANUF.
DLZ-L01	73-01-0130	HDSP7301		7-Segments, red	HP
DLZ-L02	73-01-0130	HDSP7301		7-Segments, red	HP
DLZ-L03	73-01-0130	HDSP7301		7-Segments, red	HP
DLZ-L04	73-01-0130	HDSP7301		7-Segments, red	HP
DLZ-L05	73-01-0130	HDSP7301		7-Segments, red	HP
DLZ-L06	73-01-0130	HDSP7301		7-Segments, red	HP
DLZ-L07	73-01-0130	HDSP7301		7-Segments, red	HP
DLZ-L08	73-01-0130	HDSP7301		7-Segments, red	HP
DLZ-L09	73-01-0130	HDSP7301		7-Segments, red	HP
DLZ-L10	73-01-0130	HDSP7301		7-Segments, red	HP
DLZ-L11	73-01-0130	HDSP7301		7-Segments, red	HP
DLZ-L12	73-01-0130	HDSP7301		7-Segments, red	HP
DLZ-L13	73-01-0130	HDSP7301		7-Segments, red	HP
DLZ-L14	73-01-0130	HDSP7301		7-Segments, red	HP
DLZ-L15	73-01-0130	HDSP7301		7-Segments, red	HP
DLZ-L16	73-01-0130	HDSP7301		7-Segments, red	HP
DLZ-L17	73-01-0130	HDSP7301		7-Segments, red	HP
DLZ-L18	73-01-0130	HDSP7301		7-Segments, red	HP
DLZ-L19	73-01-0130	HDSP7301		7-Segments, red	HP
DLZ-L20	73-01-0130	HDSP7301		7-Segments, red	HP
DLZ-L21	73-01-0130	HDSP7301		7-Segments, red	HP
DLZ-L22	73-01-0130	HDSP7301		7-Segments, red	HP
DLZ-L23	73-01-0130	HDSP7301		7-Segments, red	HP
DLZ-L24	73-01-0130	HDSP7301		7-Segments, red	HP
DLZ-L25	73-01-0130	HDSP7301		7-Segments, red	HP
DLZ-L26	73-01-0130	HDSP7301		7-Segments, red	HP
DLZ-L27	73-01-0130	HDSP7301		7-Segments, red	HP
DLZ-L28	73-01-0130	HDSP7301		7-Segments, red	HP
DLZ-L29	73-01-0130	HDSP7301		7-Segments, red	HP
DLZ-L30	73-01-0130	HDSP7301		7-Segments, red	HP

S T U D E R (01) 87/06/03 RD AUTOLOCATOR DISPLAY BOARD 1-328-231.00 PAGE 5



08.10.86	SU
					PAGE 1 OF 1
STUDER		AUTOLOCATOR PUSHBUTTON BOARD			SC 1.328.233-00



Werkstoff	Norm-Nr.:	Güte:	Änderung	③
	DIN-Bez.:	Beh.:		②
	Abmessung:			①
Zugehörige Unterlagen:	Freimasstoleranz:	Maßstab:	Ausgabe	④
	±	2 : 1	B.12.86 A.Ho CHE	
Ersatz für:	Ersetzt durch:		Datum	Gepr. Cos.
				Index
STUDER REGENSDORF ZÜRICH		AUTOLOLOCATOR PUSHBUTTON BOARD		1.328.233-00

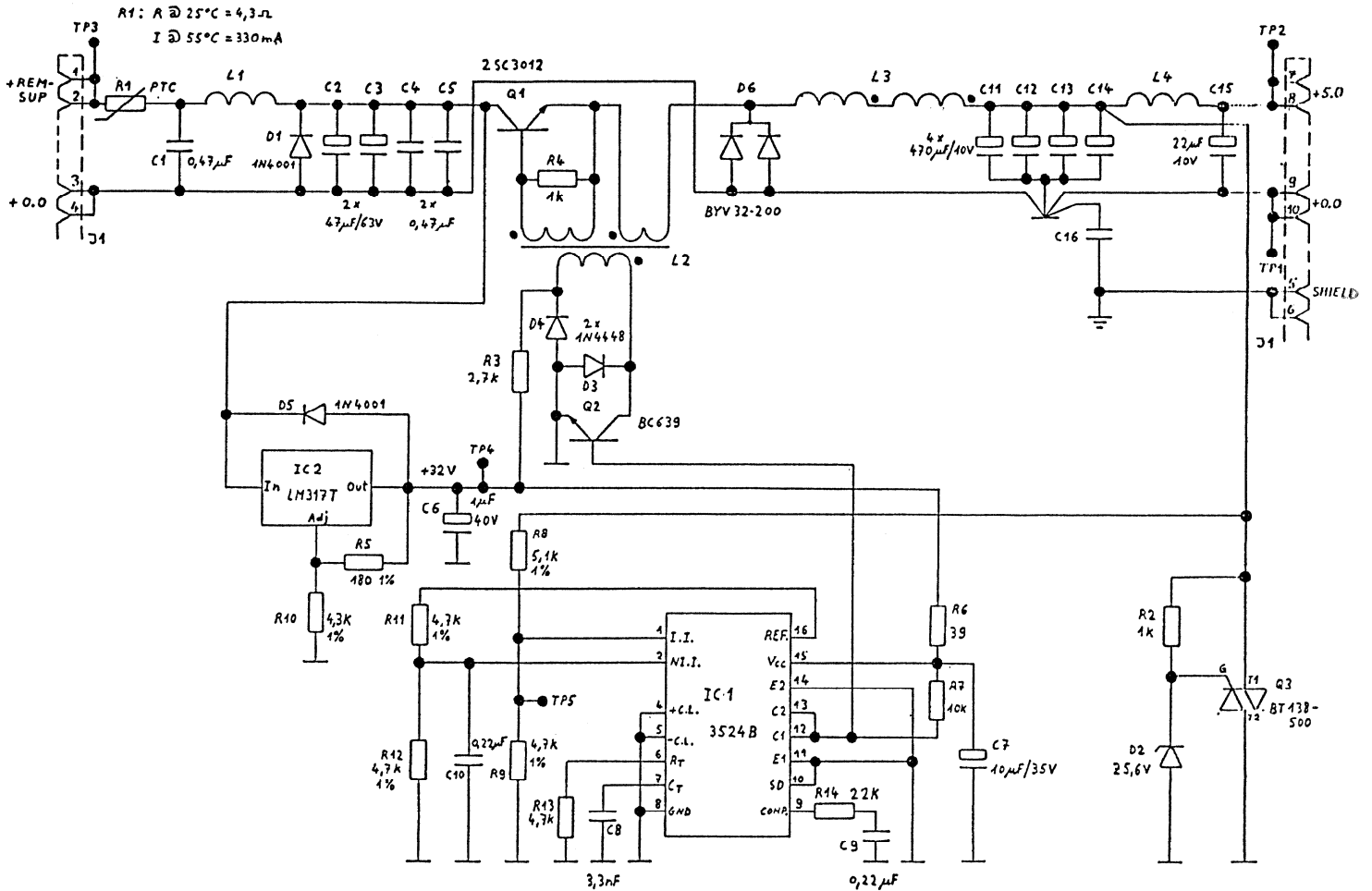
IND.	POS.NO.	PART NO.	VALUE	SPECIFICATIONS / EQUIVALENT	MANUF.
	P....01	54.14.2001		see note 1	
	S...0.3	55.03.0261	TTL-switch	1 * OC, Rafi Nr. 3.13001.110	
	S...0.4	55.03.0261	TTL-switch	1 * OC, Rafi Nr. 3.13001.110	
	S...0.5	55.03.0261	TTL-switch	1 * OC, Rafi Nr. 3.13001.110	
	S...0.6	55.03.0261	TTL-switch	1 * OC, Rafi Nr. 3.13001.110	
	S...0.7	55.03.0261	TTL-switch	1 * OC, Rafi Nr. 3.13001.110	

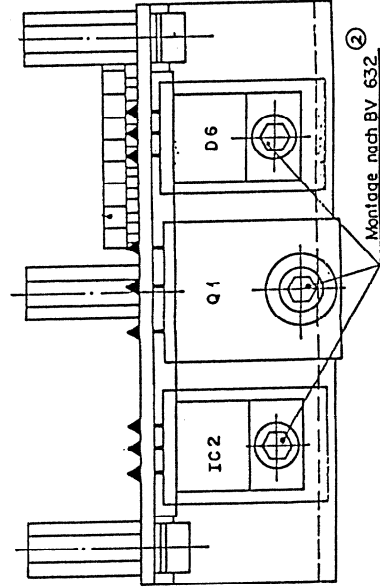
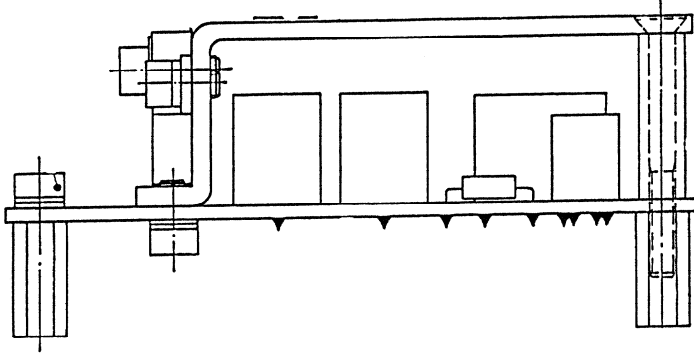
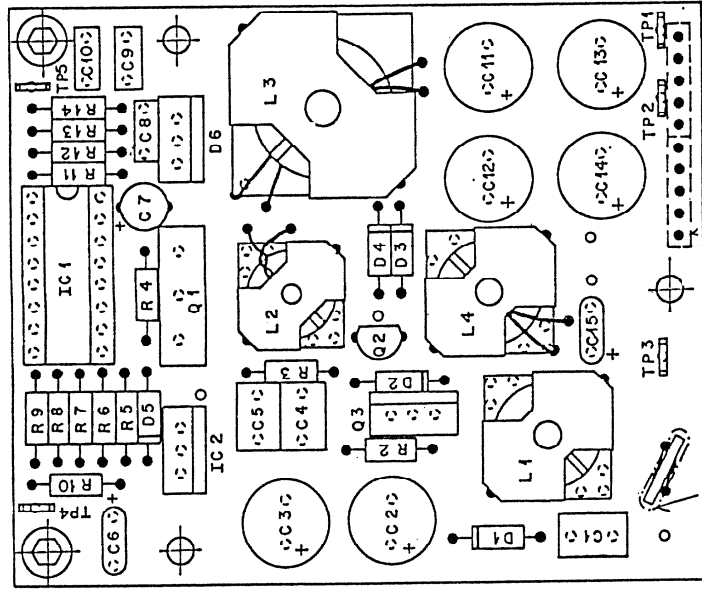
Note 1 - Connector 10 contacts: Yamaichi Nr. FAP-10-08#4
 Burndy Nr. BPH 9 B 10 800 GS

ORIG 86/10/08

S T U D E R (00) 86/10/08 80 AUTOLOCATOR PUSHBUTTON BOARD 1.328.233.00 PAGE 1

L1 : 1.022.252.00
 L2 : 1.022.224.00
 L3 : 1.022.217.00
 L4 : 1.022.202.00





Norm-Nr.:	Werkstoff:	Größe:	Änderung	③
DN-Bel.:	Oberrfläche:	Beh.:	23.1.85	②
Abmessung:	Freimastoleranz:	Maßstab:	24.10.85 A.Ho	①
Zugehörige Unterlagen:	±	1 : 1	10.5.85 A.Ho	④
PL	Ersatz für:		Datum	Gepr. Gez. Index
			Kopie für:	
Benennung:		Nummer:		
STUEFER REGENSDORF ZÜRICH		1.328.213-00		

C.....01	59-06-0474	0.47 UF	10%, 63V, EL	PETP	
C.....02	59-22-8470	47 UF	20%, 63V, EL		
C.....03	59-22-8470	47 UF	10%, 63V, EL	PETP	
C.....04	59-06-0474	0.47 UF	10%, 40V, SAL	PETP	
C.....05	59-06-0474	0.47 UF	10%, 35V, EL		
C.....06	59-26-9109	1 UF	20%, 40V, SAL		
C.....07	59-22-6100	10 UF	-20%, 10V, EL		
C.....08	59-06-0332	3300 PF	10%, 40V, SAL		
C.....09	59-06-0224	0.22 UF	10%, 40V, SAL		
C.....10	59-06-0224	0.22 UF	10%, 40V, SAL		
C.....11	59-22-3471	470 UF	-20%, 10V, EL		
C.....12	59-22-3471	470 UF	-20%, 10V, EL		
C.....13	59-22-3471	470 UF	-20%, 10V, EL		
C.....14	59-22-3471	470 UF	-20%, 10V, EL		
C.....15	59-26-1220	22 UF	20%, 10V, SAL		

D.....01	50-04-0122	IN 4001			Mot
D.....02	50-04-1108	5.6 V	BZX83 C 5V6, BZX55 C 5V6, ZPD 5.6		Ses,ITT
D.....03	50-04-0125	IN 4448			Fc,ITT,Ph,Ses
D.....04	50-04-0125	IN 4448			Fc,ITT,Ph,Ses
D.....05	50-04-0122	IN 4001			Mot
D.....06	50-04-0517	BYV32-200			Mot,Ph

IC.....01	50-05-0279	SG 3524BN			SG
IC.....02	50-10-0104	LM 317T			Tho,Mot,MS,IT

J.....01			see note 1		
L.....01	1-022-252-00	0.32 mH	Filter Coil		St
L.....02	1-022-224-00		Power Supply Transformer		St
L.....03	1-022-217-00	46 uH	HF-Coil, 5A		St
L.....04	1-022-202-00	16.9 mH	Filter Coil		St

Q.....01	50-03-0517	2 SC 3012	NPN		NEC
Q.....02	50-03-0551	8C 639	NPN		Mot,Ph
Q.....03	50-99-0106	T 2800	400V, 8A, Triac		Ph

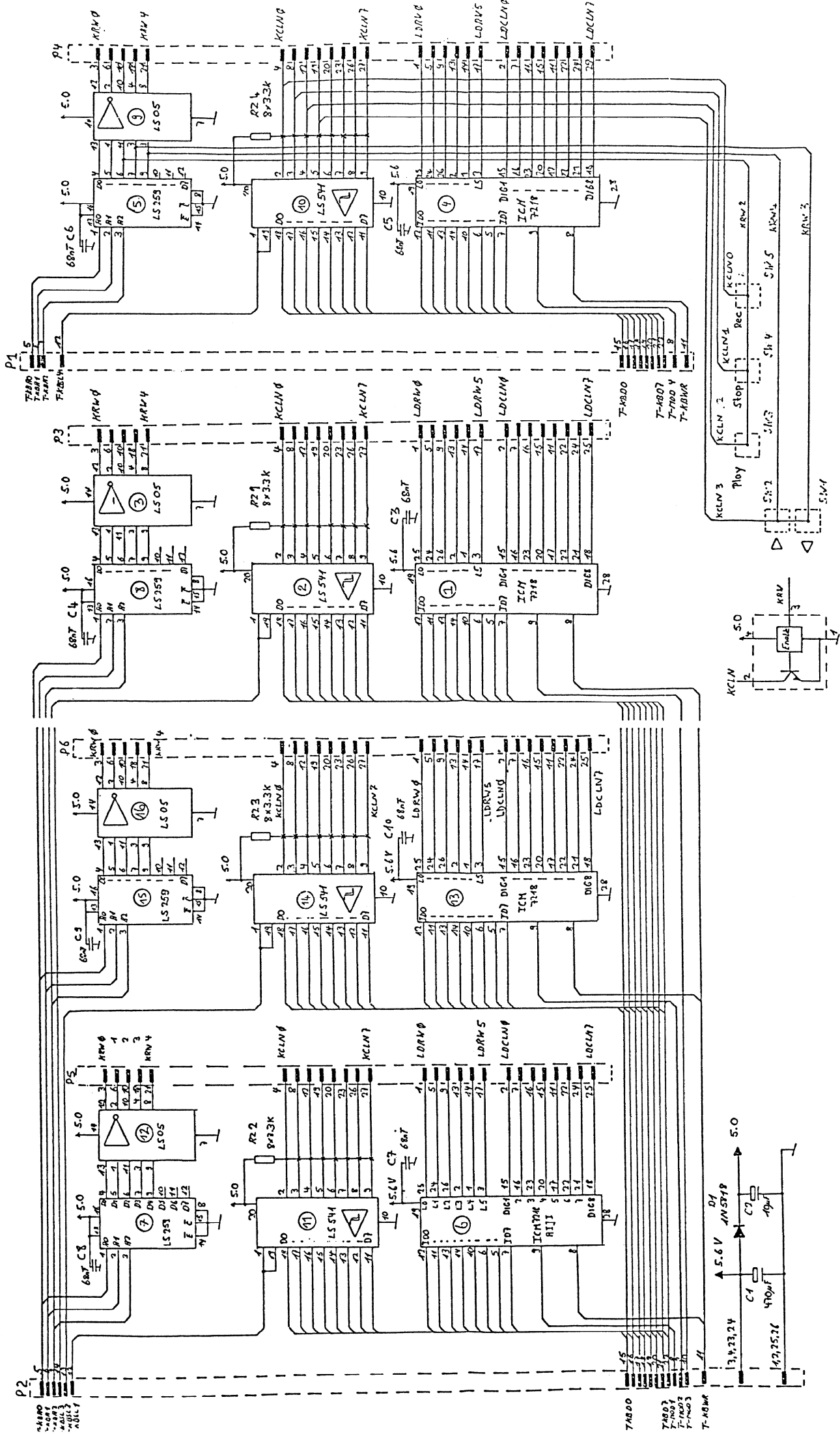
EL=Electrolytic, SAL=Solid Aluminium, PETP=Polyester
MANUFACTURERS: Fc=Fairchild, ITT=Intermetall, Mot=Motorola, NEC=National Electric Corp., NS=National Semiconductors, Ph=Phillips, Ses=Secosem, SG=Silicon General, St=Studer Tho=Thomson, TI=Texas Instruments
note 1 - Connector: 2 pieces Studer Nr.53030202
note 2 - PTC Thermistor: R @ 25 degree Celsius = 4.7 Ohm I @ 55 degree Celsius = 330 mA Philips Nr-2322 663 13311

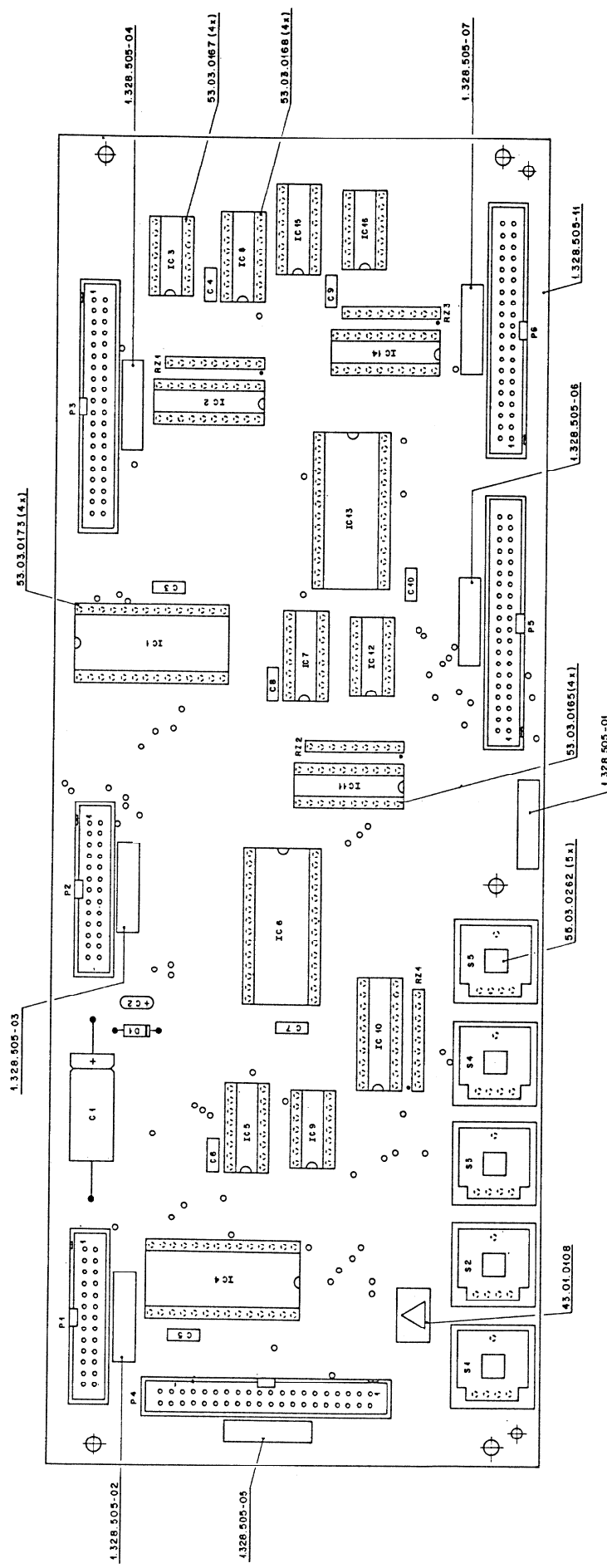
ORIG 85/02/05
S T U D E R (cP) 85/02/05 SU STABILIZER BOARD 1.328-213-00 PAGE 3

R.....01	57-92-1331	PTC	see note 2		Ph
R.....02	57-11-4102	1 kOhm	2%		
R.....03	57-11-4272	2.7 kOhm	2%		
R.....04	57-11-4102	1 kOhm	2%		
R.....05	57-11-3181	180 Ohm	1%		
R.....06	57-11-4390	39 Ohm	2%		
R.....07	57-11-4103	10 kOhm	2%		
R.....08	57-11-3512	5.1 kOhm	1%		
R.....09	57-11-3472	4.7 kOhm	1%		
R.....10	57-11-3432	4.3 kOhm	1%		
R.....11	57-11-3472	4.7 kOhm	1%		
R.....12	57-11-3472	4.7 kOhm	1%		
R.....13	57-11-3472	4.7 kOhm	1%		
R.....14	57-11-4223	22 kOhm	2%		

P.....01	54-02-0320	Test Point			
P.....02	54-02-0350	Test Point			
P.....03	54-02-0350	Test Point			
P.....04	54-02-0350	Test Point			
P.....05	54-02-0350	Test Point			

S T U D E R (cP) 85/02/05 SU STABILIZER BOARD 1.328-213-00 PAGE 1





Name: _____ Titel: _____ Abteilung: _____ Zugewiesene Unterlage: _____ P.L. _____ Erstellt für: _____	Datum: _____ Zeichnung: _____ Formversion: _____ Blatt: 2.11 Erstellt durch: _____	Status: _____ Freigegeben: _____ Geändert: _____ Geprüft: _____ Freigegeben: _____ Geändert: _____ Geprüft: _____
STÜCKER REGISIERUNG ZÜRICH		KEY BOARD DRIVER "ESE"
		1.328.505-00

IND.	POS.NO.	PART NO.	VALUE	SPECIFICATIONS / EQUIVALENT	MANUF.
C.....1		59.25.3471	470 uF	-20%, 16V , EL	
C.....2		59.26.1100	10 uF	20%, 10V , SAL	
C.....3		59.06.0683	68 nF	10%, 63V , PETP	
C.....4		59.06.0683	68 nF	10%, 63V , PETP	
C.....5		59.06.0683	68 nF	10%, 63V , PETP	
C.....6		59.06.0683	68 nF	10%, 63V , PETP	
C.....7		59.06.0683	68 nF	10%, 63V , PETP	
C.....8		59.06.0683	68 nF	10%, 63V , PETP	
C.....9		59.06.0683	68 nF	10%, 63V , PETP	
C.....10		59.06.0683	68 nF	10%, 63V , PETP	
D.....1		50.04.0512	1N 5818,	1N 5819	Mot
IC....1		50.07.0035	ICM7218AIJ		Maxim
IC....2		50.06.0541	SN74LS541N		TI, Mot
IC....3		50.06.0005	SN 74LS05N		TI
IC....4		50.07.0035	ICM7218AIJ		Maxim
IC....5		50.06.0259	SN74LS259N		TI, Mot
IC....6		50.07.0035	ICM7218AIJ		Maxim
IC....7		50.06.0259	SN74LS259N		TI, Mot
IC....8		50.06.0259	SN74LS259N		TI, Mot
IC....9		50.06.0005	SN74LS05 N		TI
IC...10		50.06.0541	SN74LS541N		TI, Mot
IC...11		50.06.0541	SN74LS541N		TI, Mot
IC...12		50.06.0005	SN74LS05 N		TI
IC...13		50.07.0035	ICM7218AIJ		Maxim
IC...14		50.06.0541	SN74LS541N		TI, Mot
IC...15		50.06.0259	SN74LS259N		TI, Mot
IC...16		50.06.0005	SN74LS05 N		TI
P.....1		54.14.2003		26 Pin socket	
P.....2		54.14.2003		26 Pin socket	
P.....3		54.14.2004		40 Pin socket	
P.....4		54.14.2004		40 Pin socket	
P.....5		54.14.2004		40 Pin socket	
P.....6		54.14.2004		40 Pin socket	

S T U D E R (00) 87/03/05 MPH KEYBOARD DRIVER 1.328.505.00 PAGE 1

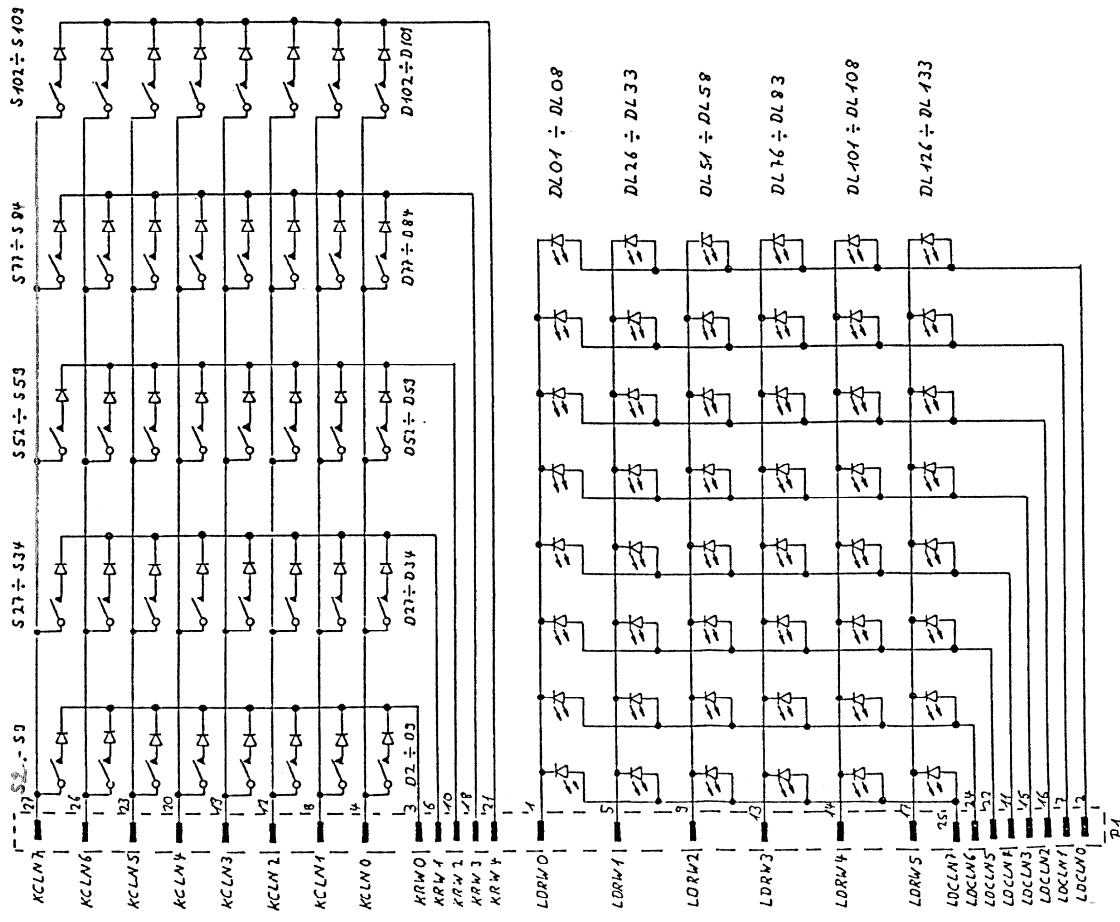
IND.	POS.NO.	PART NO.	VALUE	SPECIFICATIONS / EQUIVALENT	MANUF.
RZ....1		57.88.4332	8#3.3 kOhm	, 5%, Network	
RZ....2		57.88.4332	8#3.3 kOhm	, 5%, Network	
RZ....3		57.88.4332	8#3.3 kOhm	, 5%, Network	
RZ....4		57.88.4332	8#3.3 kOhm	, 5%, Network	
SW....1		55.03.0261	TTL Switch	, Rafi Nr.3.13001.110	
SW....2		55.03.0261	TTL Switch	, Rafi Nr.3.13001.110	
SW....3		55.03.0261	TTL Switch	, Rafi Nr.3.13001.110	
SW....4		55.03.0261	TTL Switch	, Rafi Nr.3.13001.110	
SW....5		55.03.0261	TTL Switch	, Rafi Nr.3.13001.110	

Ce=Ceramic, El=Electrolytic, SAL=Solid Aluminium , PP=Polypropylen, PETP=Polyesterfilm

MANUFACTURER : Mot= Motorola, TI= Texas Instruments

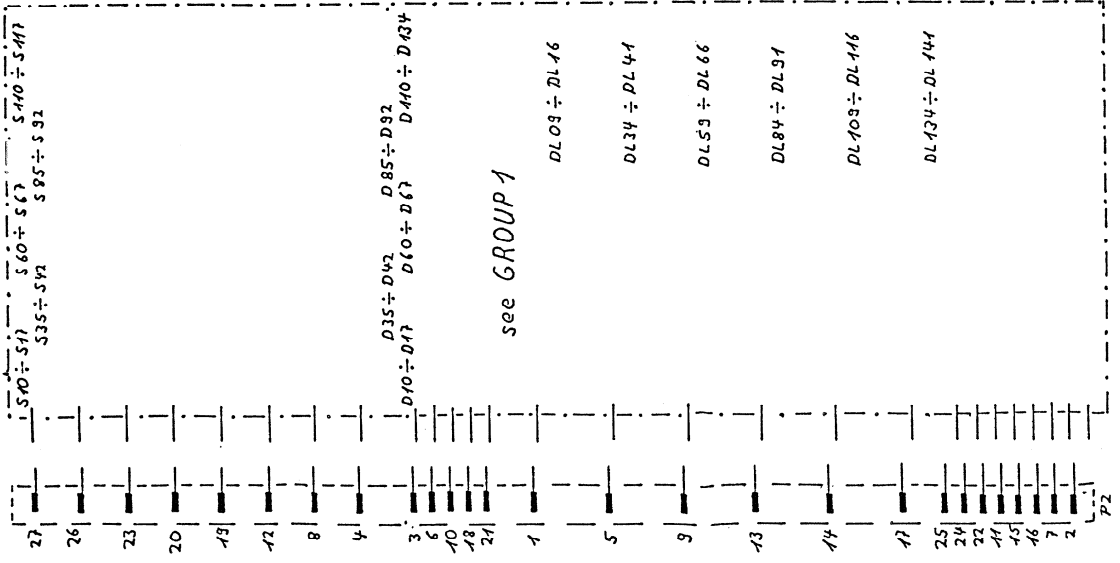
ORIG 87/03/05

S T U D E R (00) 87/03/05 MPH KEYBOARD DRIVER 1.328.505.00 PAGE 2

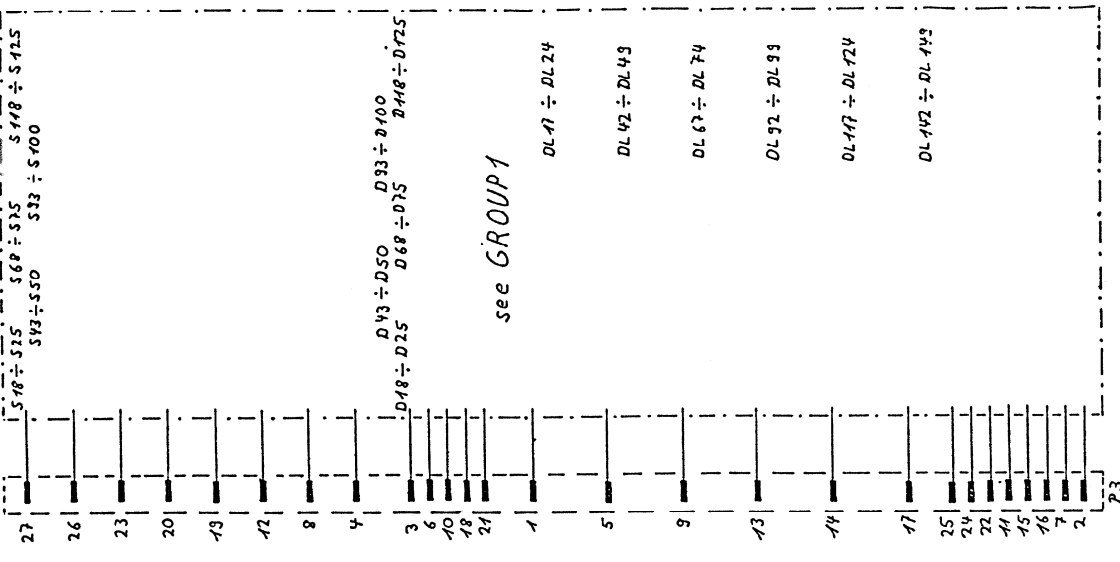


GROUP 1

D1 ÷ D143: BAT 85



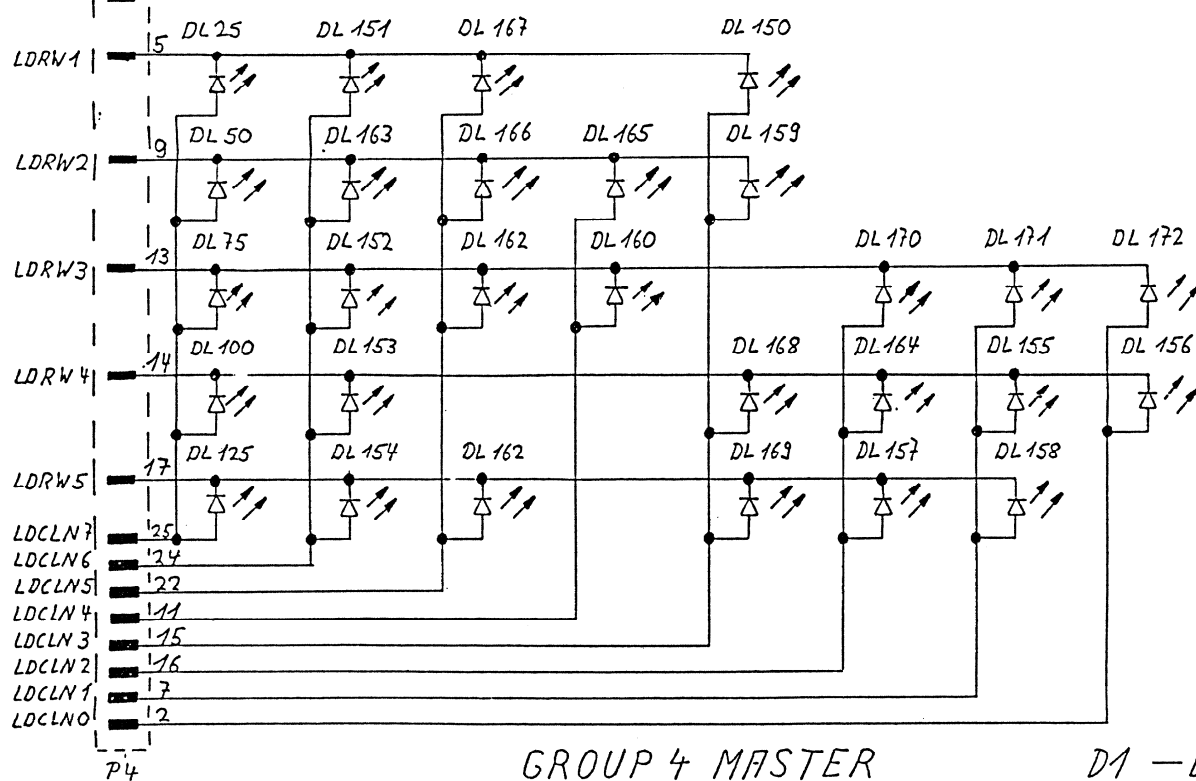
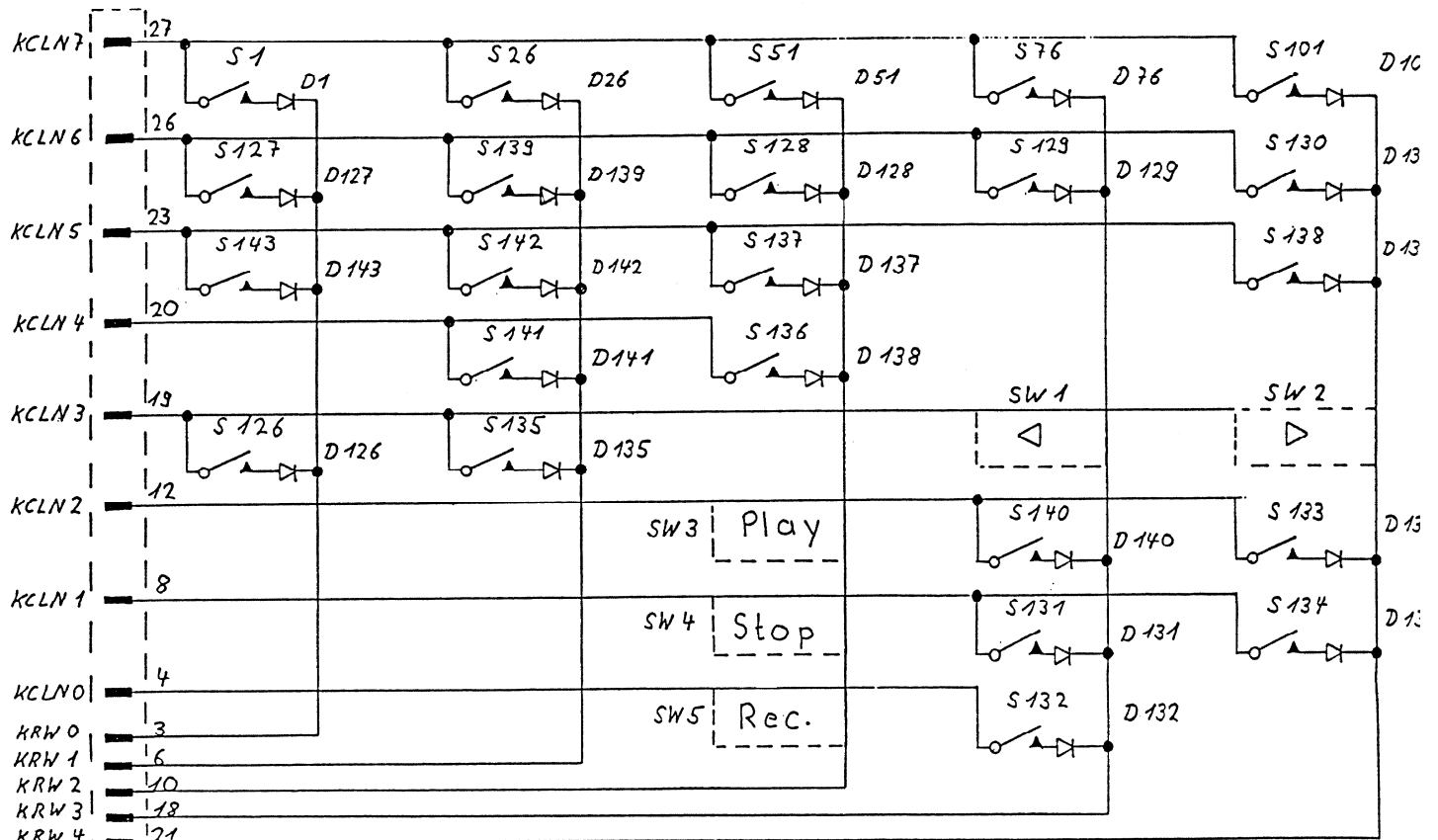
GROUP 2



GROUP 3



see GROUP 1

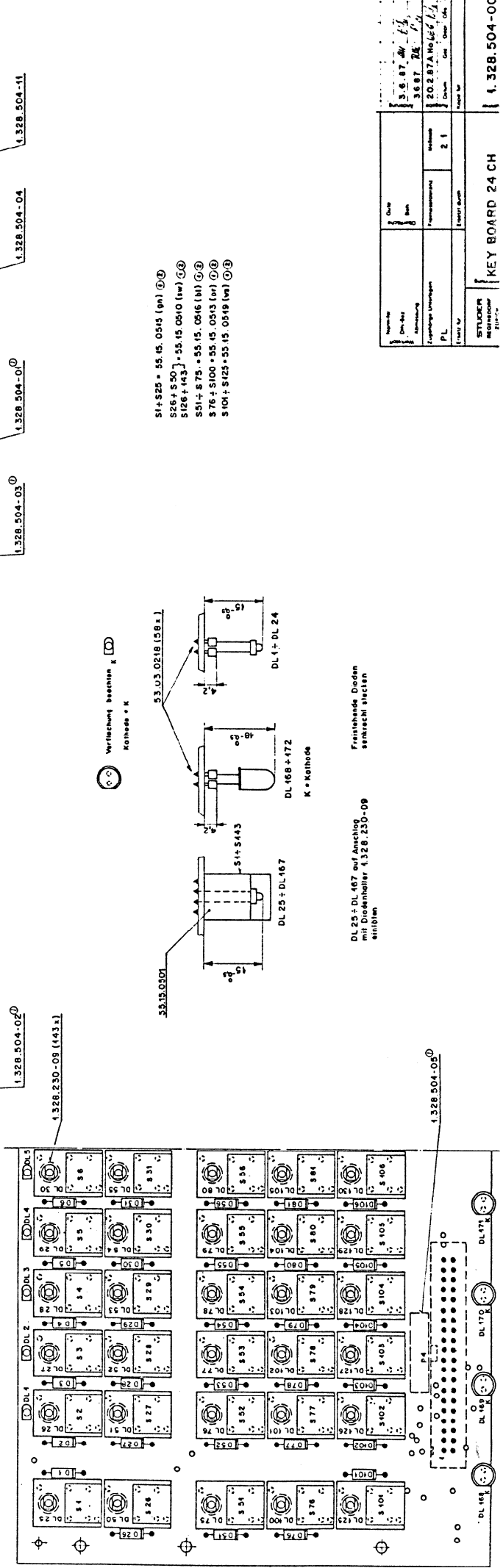
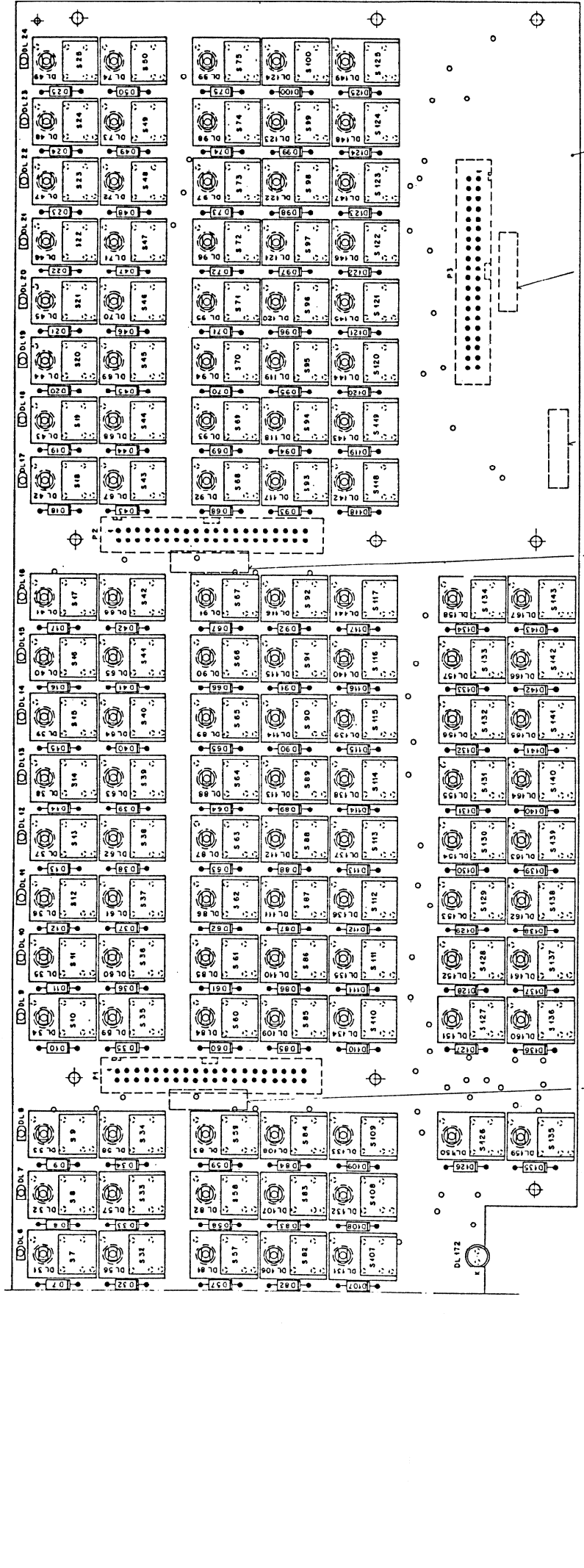
see GROUP 1



GROUP 4 MASTER

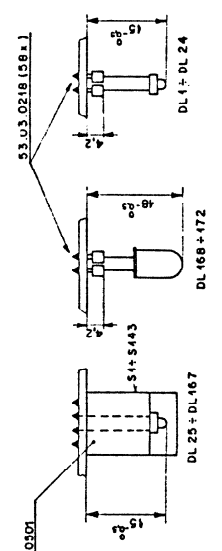
D1 - D143: BBT 85

  Transport-Control-Section-Switches
see KEY-BOARD DRIVER Manual



- S1+S25 = 55.15.0515 (m) (D)
- S26+S50 = 55.15.0510 (m) (D)
- S26+143 = 55.15.0510 (m) (D)
- S51+S75 = 55.15.0516 (m) (D)
- S76+S100 = 55.15.0513 (m) (D)
- S101+S23+55.15.0519 (m) (D)

Verflechtung beachten!
Kehse + K



DL 25 + DL 167 auf Anschlag mit Durchmesser 1.328.230-09 einstellen

Hersteller	3 6 87	AW	1/1
Druck-Nr.	3 6 87	24	1/1
Abrechnung	20.97A	10/26/2/1/1	
Produktions-Untereinheit	PL		
Standort			
Gezeichnet			
Geprüft			
2.1			
KEY BOARD 24 CH			
1.328.504-00			

IND.	POS. NO.	PART NO.	VALUE	SPECIFICATIONS / EQUIVALENT	MANUF.
	DL***5	50-04-2121	TLUR 2400		Tf
	DL***6	50-04-2121	TLUR 2400		Tf
	DL***7	50-04-2121	TLUR 2400		Tf
	DL***8	50-04-2121	TLUR 2400		Tf
	DL***9	50-04-2121	TLUR 2400		Tf
	DL***10	50-04-2121	TLUR 2400		Tf
	DL***11	50-04-2121	TLUR 2400		Tf
	DL***12	50-04-2121	TLUR 2400		Tf
	DL***13	50-04-2121	TLUR 2400		Tf
	DL***14	50-04-2121	TLUR 2400		Tf
	DL***15	50-04-2121	TLUR 2400		Tf
	DL***16	50-04-2121	TLUR 2400		Tf
	DL***17	50-04-2121	TLUR 2400		Tf
	DL***18	50-04-2121	TLUR 2400		Tf
	DL***19	50-04-2121	TLUR 2400		Tf
	DL***20	50-04-2121	TLUR 2400		Tf
	DL***21	50-04-2121	TLUR 2400		Tf
	DL***22	50-04-2121	TLUR 2400		Tf
	DL***23	50-04-2121	TLUR 2400		Tf
	DL***24	50-04-2121	TLUR 2400		Tf
	DL***25	50-04-2132	TLUG 2400		Tf
	DL***26	50-04-2132	TLUG 2400		Tf
	DL***27	50-04-2132	TLUG 2400		Tf
	DL***28	50-04-2132	TLUG 2400		Tf
	DL***29	50-04-2132	TLUG 2400		Tf
	DL***30	50-04-2132	TLUG 2400		Tf
	DL***31	50-04-2132	TLUG 2400		Tf
	DL***32	50-04-2132	TLUG 2400		Tf
	DL***33	50-04-2132	TLUG 2400		Tf
	DL***34	50-04-2132	TLUG 2400		Tf
	DL***35	50-04-2132	TLUG 2400		Tf
	DL***36	50-04-2132	TLUG 2400		Tf
	DL***37	50-04-2132	TLUG 2400		Tf
	DL***38	50-04-2132	TLUG 2400		Tf
	DL***39	50-04-2132	TLUG 2400		Tf
	DL***40	50-04-2132	TLUG 2400		Tf
	DL***41	50-04-2132	TLUG 2400		Tf

S T U D E R (00) 87/02/05 BD KEY BOARD 24 CH 1-328-504-00 PAGE 5

S T U D E R (00) 87/02/05 BD KEY BOARD 24 CH 1-328-504-00 PAGE 7

IND.	POS. NO.	PART NO.	VALUE	SPECIFICATIONS / EQUIVALENT	MANUF.
	DL***42	50-04-2132	TLUG 2400		Tf
	DL***43	50-04-2132	TLUG 2400		Tf
	DL***44	50-04-2132	TLUG 2400		Tf
	DL***45	50-04-2132	TLUG 2400		Tf
	DL***46	50-04-2132	TLUG 2400		Tf
	DL***47	50-04-2132	TLUG 2400		Tf
	DL***48	50-04-2132	TLUG 2400		Tf
	DL***49	50-04-2132	TLUG 2400		Tf
	DL***50	50-04-2133	COY 75 N		Tf
	DL***51	50-04-2133	COY 75 N		Tf
	DL***52	50-04-2133	COY 75 N		Tf
	DL***53	50-04-2133	COY 75 N		Tf
	DL***54	50-04-2133	COY 75 N		Tf
	DL***55	50-04-2133	COY 75 N		Tf
	DL***56	50-04-2133	COY 75 N		Tf
	DL***57	50-04-2133	COY 75 N		Tf
	DL***58	50-04-2133	COY 75 N		Tf
	DL***59	50-04-2133	COY 75 N		Tf
	DL***60	50-04-2133	COY 75 N		Tf
	DL***61	50-04-2133	COY 75 N		Tf
	DL***62	50-04-2133	COY 75 N		Tf
	DL***63	50-04-2133	COY 75 N		Tf
	DL***64	50-04-2133	COY 75 N		Tf
	DL***65	50-04-2133	COY 75 N		Tf
	DL***66	50-04-2133	COY 75 N		Tf
	DL***67	50-04-2133	COY 75 N		Tf
	DL***68	50-04-2133	COY 75 N		Tf
	DL***69	50-04-2133	COY 75 N		Tf
	DL***70	50-04-2133	COY 75 N		Tf
	DL***71	50-04-2133	COY 75 N		Tf
	DL***72	50-04-2133	COY 75 N		Tf
	DL***73	50-04-2133	COY 75 N		Tf
	DL***74	50-04-2133	COY 75 N		Tf
	DL***75	50-04-2133	COY 75 N		Tf
	DL***76	50-04-2133	COY 75 N		Tf
	DL***77	50-04-2133	COY 75 N		Tf
	DL***78	50-04-2133	COY 75 N		Tf

S T U D E R (00) 87/02/05 BD KEY BOARD 24 CH 1-328-504-00 PAGE 6

S T U D E R (00) 87/02/05 BD KEY BOARD 24 CH 1-328-504-00 PAGE 8

IND.	POS.-NO.	PART NO.	VALUE	SPECIFICATIONS / EQUIVALENT	MANUF.
	S...123	55-15-0501		Button nr. 55-15-0519	Schadow
	S...124	55-15-0501		Button nr. 55-15-0519	Schadow
	S...125	55-15-0501		Button nr. 55-15-0519	Schadow
	S...126	55-15-0501		Button nr. 55-15-0510	Schadow
	S...127	55-15-0501		Button nr. 55-15-0510	Schadow
	S...128	55-15-0501		Button nr. 55-15-0510	Schadow
	S...129	55-15-0501		Button nr. 55-15-0510	Schadow
	S...130	55-15-0501		Button nr. 55-15-0510	Schadow
	S...131	55-15-0501		Button nr. 55-15-0510	Schadow
	S...132	55-15-0501		Button nr. 55-15-0510	Schadow
	S...133	55-15-0501		Button nr. 55-15-0510	Schadow
	S...134	55-15-0501		Button nr. 55-15-0510	Schadow
	S...135	55-15-0501		Button nr. 55-15-0510	Schadow
	S...136	55-15-0501		Button nr. 55-15-0510	Schadow
	S...137	55-15-0501		Button nr. 55-15-0510	Schadow
	S...138	55-15-0501		Button nr. 55-15-0510	Schadow
	S...139	55-15-0501		Button nr. 55-15-0510	Schadow
	S...140	55-15-0501		Button nr. 55-15-0510	Schadow
	S...141	55-15-0501		Button nr. 55-15-0510	Schadow
	S...142	55-15-0501		Button nr. 55-15-0510	Schadow
	S...143	55-15-0501		Button nr. 55-15-0510	Schadow

Note 1 - Connector 40 contacts: Yamaichi Nr. FAP-40-0824
 Burndy Nr. DPH 9 U 40 B00 GS

MANUFACTURERS: CM=Chicaco Miniatur, G1=General Instruments,
 HP=Hewlett Packard, Ph=Philips, Tf=Telefunken
 Sie=Siemens

ORIG 87/02/05

S T U D E R (00) 87/02/05 BD KEY BOARD 24 CH 1.328.504.00 PAGE 13

L I T Z E N - L I S T E

*** 1.328.507.93 ***

AEND.DAT. 87/05/15-01

SFITF 1

 ANSCHLUSSSTECKER PROC.DAT. 87/06/17 * 09:07 TOTAL 1 SFITE

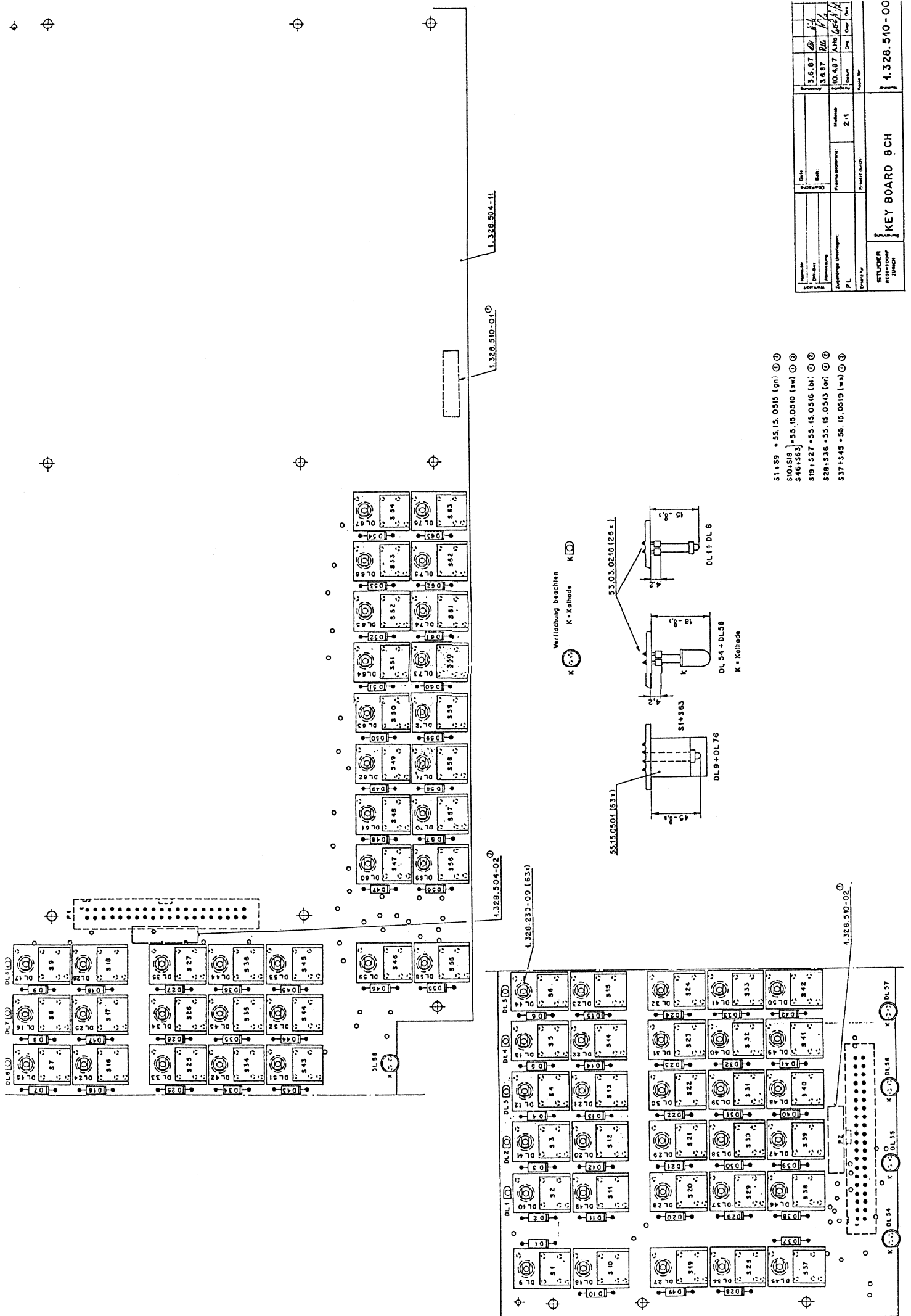
BEMERKUNGEN:

ISOLIERUNG:
 Y- UND YY-STECKER MIT ISOLIERTUELLE 54.02.0324 VERSEHEN.

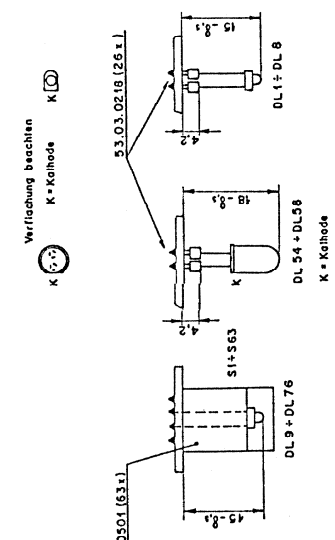
VERDRILLUNG:
 MITEINER VERDRILLTE POSITIONEN:
 LITZENENDEN BUENDIG
 0010 UND 0020, 0030 UND 0040

SN4= 4 MM AB. & VERZINNEN
 Y = MIT 54.02.0326 BESTUECKEN
 YY = MIT 54.02.0327 BESTUECKEN

MOD IDX	POS. NR.	NORM.- NR.	STK	FARBE	[--- A N F A N G ---]				[--- A N Z A P F U N G ---]				[--- E N D E ---]				BEM
					TYP	BESCHRIFTUNG	LAENGE	TYP	BESCHRIFTUNG	LAENGE	TYP	BESCHRIFTUNG	TOTAL	AS	GR	EL	
	0010	64.02.0130	1	SW	SN4									280	YY		
	0020	64.02.0132	1	RT	SN4									280	YY		
	0030	64.02.0110	1	SW	SN4									450	Y		
	0040	64.02.0119	1	WS	SN4									450	Y		



51 + S9 = 55.15.0515 (p) ⊙ ⊙
 S10 + S18 = 55.15.0510 (w) ⊙ ⊙
 S46 + S63
 S19 + S27 = 55.15.0516 (b1) ⊙ ⊙
 S28 + S36 = 55.15.0513 (er) ⊙ ⊙
 S37 + S45 = 55.15.0519 (w2) ⊙ ⊙



1.328.510-01

1.328.504-02

1.328.230-09 (631)

1.328.510-02

Date		3.6.87	
Blatt		2/2	
Zugehörige Unterlagen		10.487	
P.L.		2-1	
Erstellt durch		...	
Geprüft durch		...	
Abgezeichnet durch		...	
Titel		KEY BOARD 6 CH	
Stücker		1.328.510-00	

IND.	POS-NO.	PART NO.	VALUE	SPECIFICATIONS / EQUIVALENT	MANUF.
S.....5		55.15.0501		Button nr. 55.15.0515	Schadow
S.....6		55.15.0501		Button nr. 55.15.0515	Schadow
S.....7		55.15.0501		Button nr. 55.15.0515	Schadow
S.....8		55.15.0501		Button nr. 55.15.0515	Schadow
S.....9		55.15.0501		Button nr. 55.15.0515	Schadow
S.....10		55.15.0501		Button nr. 55.15.0510	Schadow
S.....11		55.15.0501		Button nr. 55.15.0510	Schadow
S.....12		55.15.0501		Button nr. 55.15.0510	Schadow
S.....13		55.15.0501		Button nr. 55.15.0510	Schadow
S.....14		55.15.0501		Button nr. 55.15.0510	Schadow
S.....15		55.15.0501		Button nr. 55.15.0510	Schadow
S.....16		55.15.0501		Button nr. 55.15.0510	Schadow
S.....17		55.15.0501		Button nr. 55.15.0510	Schadow
S.....18		55.15.0501		Button nr. 55.15.0510	Schadow
S.....19		55.15.0501		Button nr. 55.15.0516	Schadow
S.....20		55.15.0501		Button nr. 55.15.0516	Schadow
S.....21		55.15.0501		Button nr. 55.15.0516	Schadow
S.....22		55.15.0501		Button nr. 55.15.0516	Schadow
S.....23		55.15.0501		Button nr. 55.15.0516	Schadow
S.....24		55.15.0501		Button nr. 55.15.0516	Schadow
S.....25		55.15.0501		Button nr. 55.15.0516	Schadow
S.....26		55.15.0501		Button nr. 55.15.0516	Schadow
S.....27		55.15.0501		Button nr. 55.15.0516	Schadow
S.....28		55.15.0501		Button nr. 55.15.0513	Schadow
S.....29		55.15.0501		Button nr. 55.15.0513	Schadow
S.....30		55.15.0501		Button nr. 55.15.0513	Schadow
S.....31		55.15.0501		Button nr. 55.15.0513	Schadow
S.....32		55.15.0501		Button nr. 55.15.0513	Schadow
S.....33		55.15.0501		Button nr. 55.15.0513	Schadow
S.....34		55.15.0501		Button nr. 55.15.0513	Schadow
S.....35		55.15.0501		Button nr. 55.15.0513	Schadow
S.....36		55.15.0501		Button nr. 55.15.0513	Schadow
S.....37		55.15.0501		Button nr. 55.15.0519	Schadow
S.....38		55.15.0501		Button nr. 55.15.0519	Schadow
S.....39		55.15.0501		Button nr. 55.15.0519	Schadow
S.....40		55.15.0501		Button nr. 55.15.0519	Schadow
S.....41		55.15.0501		Button nr. 55.15.0519	Schadow

S T U D E R (00) 87/04/09 BU KEY BOARD 8 CH 1.328.510.00 PAGE 5

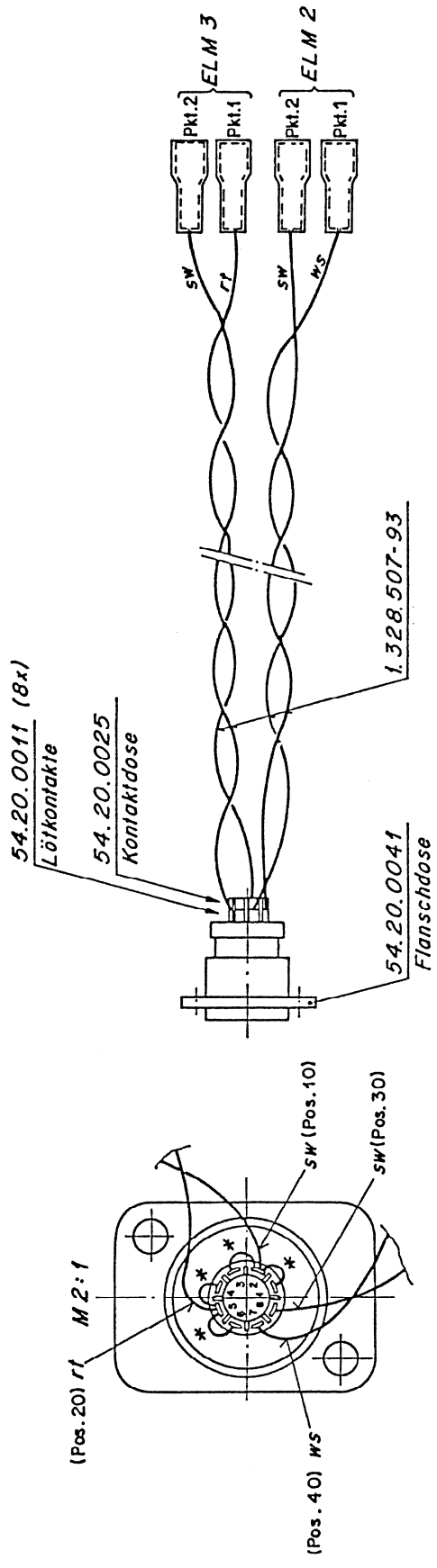
IND.	POS-NO.	PART NO.	VALUE	SPECIFICATIONS / EQUIVALENT	MANUF.
S...-42		55.15.0501		Button nr. 55.15.0519	Schadow
S....43		55.15.0501		Button nr. 55.15.0519	Schadow
S....44		55.15.0501		Button nr. 55.15.0519	Schadow
S....45		55.15.0501		Button nr. 55.15.0519	Schadow
S....46		55.15.0501		Button nr. 55.15.0510	Schadow
S....47		55.15.0501		Button nr. 55.15.0510	Schadow
S....48		55.15.0501		Button nr. 55.15.0510	Schadow
S....49		55.15.0501		Button nr. 55.15.0510	Schadow
S....50		55.15.0501		Button nr. 55.15.0510	Schadow
S....51		55.15.0501		Button nr. 55.15.0510	Schadow
S....52		55.15.0501		Button nr. 55.15.0510	Schadow
S....53		55.15.0501		Button nr. 55.15.0510	Schadow
S....54		55.15.0501		Button nr. 55.15.0510	Schadow
S....55		55.15.0501		Button nr. 55.15.0510	Schadow
S....56		55.15.0501		Button nr. 55.15.0510	Schadow
S....57		55.15.0501		Button nr. 55.15.0510	Schadow
S....58		55.15.0501		Button nr. 55.15.0510	Schadow
S....59		55.15.0501		Button nr. 55.15.0510	Schadow
S....60		55.15.0501		Button nr. 55.15.0510	Schadow
S....61		55.15.0501		Button nr. 55.15.0510	Schadow
S....62		55.15.0501		Button nr. 55.15.0510	Schadow
S....63		55.15.0501		Button nr. 55.15.0510	Schadow

Note 1 - Connector 40 contacts: Yamaichi Nr. FAP-40-08#4
Burndy Nr. BPH 9 B 40 B00 GS

MANUFACTURERS: CM=Chicaco Miniatur, GI=General Instruments,
HP=Hewlett Packard, Ph=Philips, Tf=Telefunken
Sie=Siemens

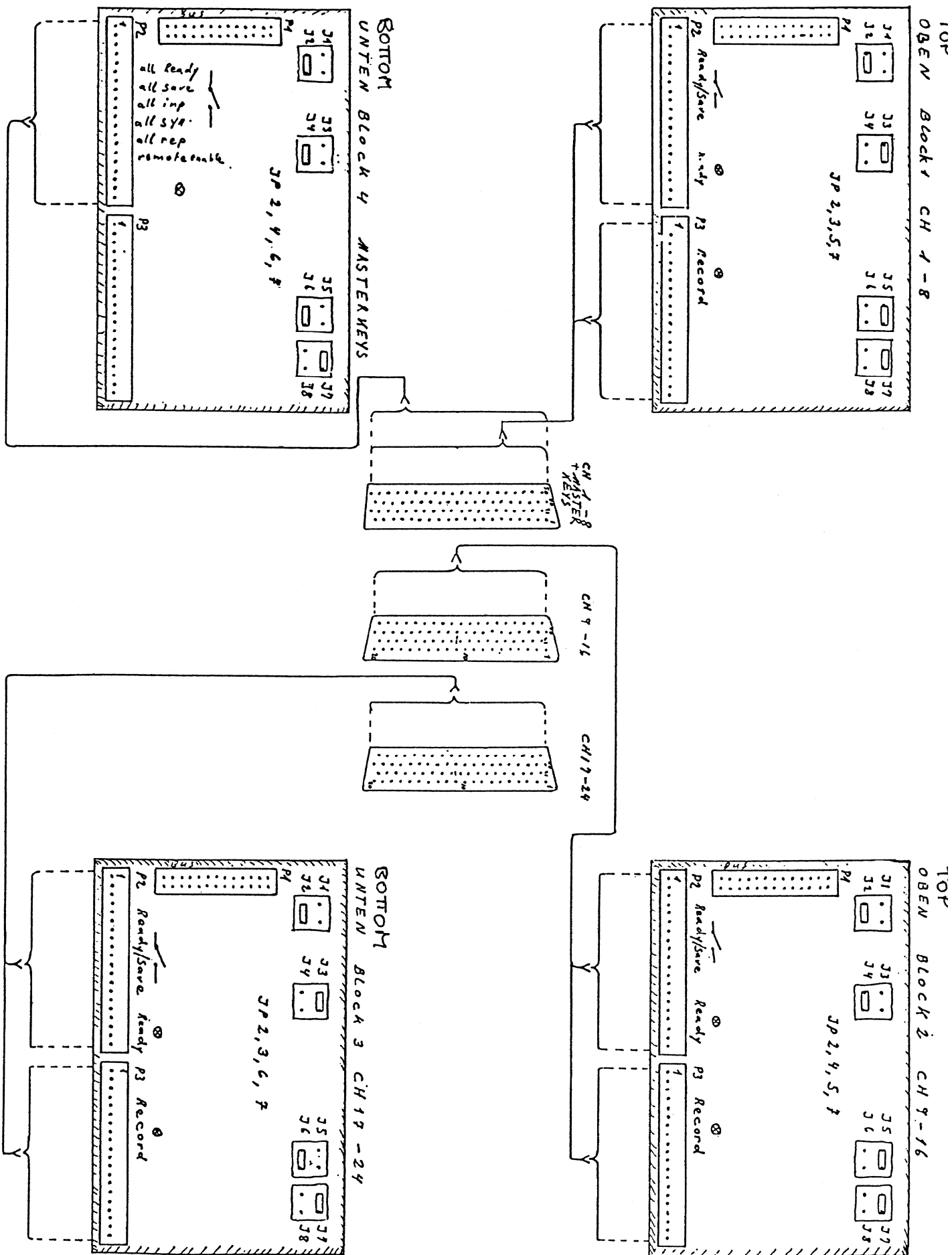
ORIG 87/04/09

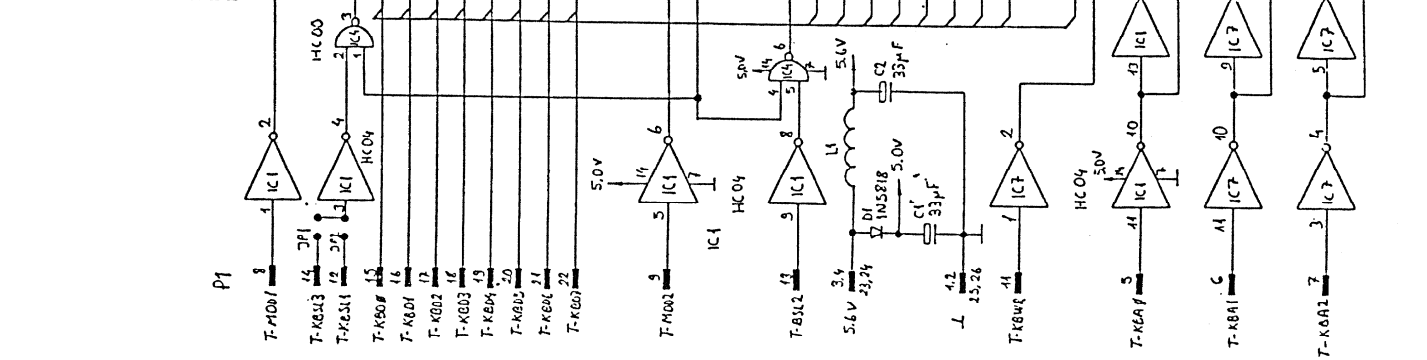
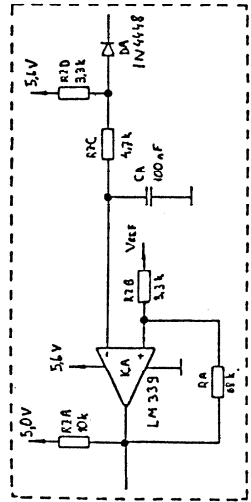
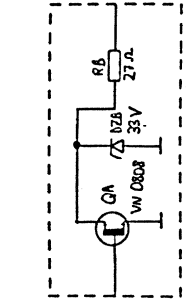
S T U D E R (00) 87/04/09 BD KEY BOARD 8 CH 1.328.510.00 PAGE 6



* Schaltdraht

Werkstoff	Norm-Nr.:	Güte:	Änderung			
	DIN-Bez.:	Beh.:				
	Abmessung:					
Zugehörige Unterlagen:	Freimassoleranz: ±	Maßstab: 1:1; 2:1	Datum	Gez.	Gepr.	Index
Ersatz für:	Ersetzt durch:		5.3.87	A.HG WEC	1/1	①
STUDER REGENSDORF ZÜRICH			Anschlussstecker verdrahtet			1.328.507-00





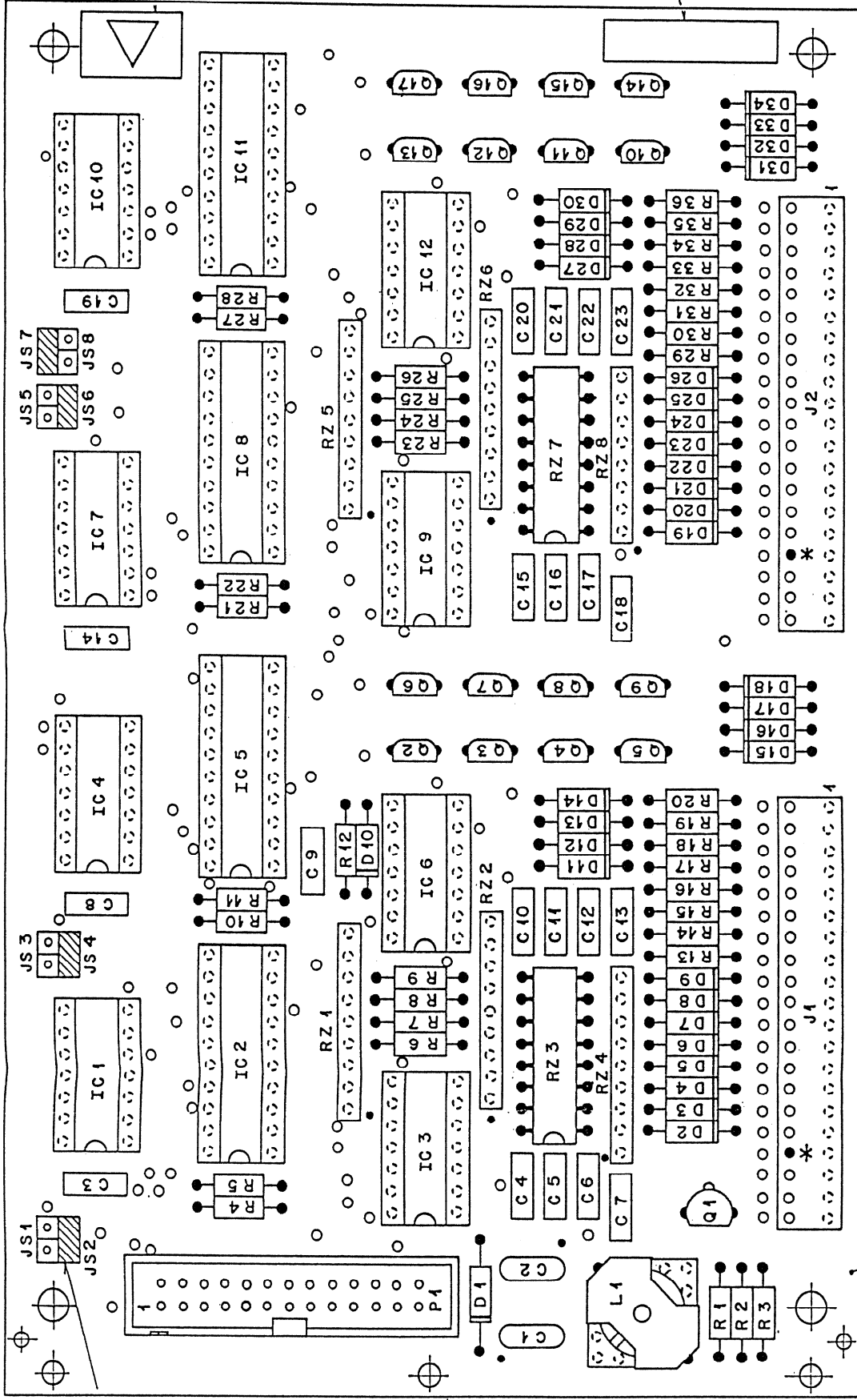
ABBLOROKOUDEJUNTONENI C3, C9, C14, R19 : 68nF



Bestückt

43.01.0108

1.328.506-01



1.328.506-11

* Codierung : Schaltdraht 64.01.0108 \varnothing 0,8 x 8 mm
(muss 4mm vorstehen)

Norm-Nr.:	Güte:	Änderung	③
DIN-Bez.:	Beh.:		②
Abmessung:	Freimess toleranz:		①
Zugehörige Unterlagen:	Maßstab:	27.3.87 A.Ho	①
PL	±	Datum	①
Ersatz für:	Ersetzt durch:	Gez.	①
		Gepr.	①
		Gez.	①
		Datum	①
		Änderung	①

Benennung:
**AUDIO PARALLEL
REMOTE IF "ESE"**

STUDER
REGENSDORF
ZÜRICH

1.328.506-00
Ausgabe
27.3.87
A.Ho
Kopie für:

IND.	POS-NO.	PART NO.	VALUE	SPECIFICATIONS / EQUIVALENT	MANUF.
C.....1		59,26,1330	33 UF	20%, 10V, SAL	Ph,RI
C.....2		59,26,1330	33 UF	20%, 10V, PEP	Ph,RI
C.....3		59,06,0683	68 NF	10%, SAL	
C.....4		59,06,0104	100 NF	10%, PEP	
C.....5		59,06,0104	100 NF	10%, PEP	
C.....6		59,06,0104	100 NF	10%, PEP	
C.....7		59,06,0104	100 NF	10%, PEP	
C.....8		59,06,0683	68 NF	10%, PEP	
C.....9		59,06,0104	100 NF	10%, PEP	
C.....10		59,06,0104	100 NF	10%, PEP	
C.....11		59,06,0104	100 NF	10%, PEP	
C.....12		59,06,0104	100 NF	10%, PEP	
C.....13		59,06,0104	100 NF	10%, PEP	
C.....14		59,06,0683	68 NF	10%, PEP	
C.....15		59,06,0104	100 NF	10%, PEP	
C.....16		59,06,0104	100 NF	10%, PEP	
C.....17		59,06,0104	100 NF	10%, PEP	
C.....18		59,06,0104	100 NF	10%, PEP	
C.....19		59,06,0683	68 NF	10%, PEP	
C.....20		59,06,0104	100 NF	10%, PEP	
C.....21		59,06,0104	100 NF	10%, PEP	
C.....22		59,06,0104	100 NF	10%, PEP	
C.....23		59,06,0104	100 NF	10%, PEP	
D.....1		50,04,0512	IN 5818	IN 5819	Mo
D.....2		50,04,0125	IN 4448		FC,ITT,Ph,SeS,TF
D.....3		50,04,0125	IN 4448		FC,ITT,Ph,SeS,TF
D.....4		50,04,0125	IN 4448		FC,ITT,Ph,SeS,TF
D.....5		50,04,0125	IN 4448		FC,ITT,Ph,SeS,TF
D.....6		50,04,0125	IN 4448		FC,ITT,Ph,SeS,TF
D.....7		50,04,0125	IN 4448		FC,ITT,Ph,SeS,TF
D.....8		50,04,0125	IN 4448		FC,ITT,Ph,SeS,TF
D.....9		50,04,0125	IN 4448		FC,ITT,Ph,SeS,TF
D.....10		50,04,0125	IN 4448		FC,ITT,Ph,SeS,TF
D.....11		50,04,1127	33 V	Z 9ZX 55-C33	ITT,MoT,Ph,IF,Tho
D.....12		50,04,1127	33 V	Z 9ZX 55-C33	ITT,MoT,Ph,IF,Tho
D.....13		50,04,1127	33 V	Z 9ZX 55-C33	ITT,MoT,Ph,IF,Tho

S T U D E R (00) 87/03/31 BD AUDIO PARALLEL REMOTE IF 1-328-506.00 PAGE 1

IND.	POS-NO.	PART NO.	VALUE	SPECIFICATIONS / EQUIVALENT	MANUF.
D.....14		50,04,1127	33 V	Z 9ZX 55-C33	ITT,MoT,Ph,IF,Tho
D.....15		50,04,1127	33 V	Z 9ZX 55-C33	ITT,MoT,Ph,IF,Tho
D.....16		50,04,1127	33 V	Z 9ZX 55-C33	ITT,MoT,Ph,IF,Tho
D.....17		50,04,1127	33 V	Z 9ZX 55-C33	ITT,MoT,Ph,IF,Tho
D.....18		50,04,1127	33 V	Z 9ZX 55-C33	ITT,MoT,Ph,IF,Tho
D.....19		50,04,0125	IN 4448		FC,ITT,Ph,SeS,TF
D.....20		50,04,0125	IN 4448		FC,ITT,Ph,SeS,TF
D.....21		50,04,0125	IN 4448		FC,ITT,Ph,SeS,TF
D.....22		50,04,0125	IN 4448		FC,ITT,Ph,SeS,TF
D.....23		50,04,0125	IN 4448		FC,ITT,Ph,SeS,TF
D.....24		50,04,0125	IN 4448		FC,ITT,Ph,SeS,TF
D.....25		50,04,0125	IN 4448		FC,ITT,Ph,SeS,TF
D.....26		50,04,0125	IN 4448		FC,ITT,Ph,SeS,TF
D.....27		50,04,1127	33 V	Z 9ZX 55-C33	ITT,MoT,Ph,IF,Tho
D.....28		50,04,1127	33 V	Z 9ZX 55-C33	ITT,MoT,Ph,IF,Tho
D.....29		50,04,1127	33 V	Z 9ZX 55-C33	ITT,MoT,Ph,IF,Tho
D.....30		50,04,1127	33 V	Z 9ZX 55-C33	ITT,MoT,Ph,IF,Tho
D.....31		50,04,1127	33 V	Z 9ZX 55-C33	ITT,MoT,Ph,IF,Tho
D.....32		50,04,1127	33 V	Z 9ZX 55-C33	ITT,MoT,Ph,IF,Tho
D.....33		50,04,1127	33 V	Z 9ZX 55-C33	ITT,MoT,Ph,IF,Tho
D.....34		50,04,1127	33 V	Z 9ZX 55-C33	ITT,MoT,Ph,IF,Tho
IC.....1		50,17,1004		** 74 HC 04 **	MoT,MS,Ph,RCA,SGS,TT,To
IC.....2		50,17,1541		** 74 HC541 **	MoT,MS,Ph,RCA,SGS,TT,To
IC.....3		50,11,0104	LM 339 N	UA 339 PC	FC,MoT,MS
IC.....4		50,17,1000		** 74 HC 00 **	MoT,MS,Ph,RCA,SGS,TT,To
IC.....5		50,17,1273		** 74 HC273 **	MoT,MS,Ph,RCA,SGS,TT,To
IC.....6		50,11,0104	LM 339 N	UA 339 PC	FC,MoT,MS
IC.....7		50,17,1004		** 74 HC 04 **	MoT,MS,Ph,RCA,SGS,TT,To
IC.....8		50,17,1541		** 74 HC541 **	MoT,MS,Ph,RCA,SGS,TT,To
IC.....9		50,11,0104	LM 339 N	UA 339 PC	FC,MoT,MS
IC.....10		50,17,1010		** 74 HC 10 **	MoT,MS,Ph,RCA,SGS,TT,To
IC.....11		50,17,1273		** 74 HC273 **	MoT,MS,Ph,RCA,SGS,TT,To
IC.....12		50,11,0104	LM 339 N	UA 339 PC	FC,MoT,MS
J5.....1				see note 1	
J5.....2				see note 1	

S T U D E R (00) 87/03/31 BD AUDIO PARALLEL REMOTE IF 1-328-506.00 PAGE 2

IND.	POS-NO.	PART NO.	VALUE	SPECIFICATIONS / EQUIVALENT	MANUF.
J5.....3				see note 1	
J5.....4				see note 1	
J5.....5				see note 1	
J5.....6				see note 1	
J5.....7				see note 1	
J5.....8				see note 1	
L.....1		1-166-154-00			St
P.....1		54,14,2003		see note 2	
J.....1		54,01-0226		see note 3	
J.....2		54,01-0226		see note 3	
Q.....1		50,03-0951	BC 327-25		
Q.....2		50,03-1505	VN 0808M	VN 0808 MTR, 2VN 0108A	VN 0808 MTR, 2VN 0108A
Q.....3		50,03-1505	VN 0808M	VN 0808 MTR, 2VN 0108A	VN 0808 MTR, 2VN 0108A
Q.....4		50,03-1505	VN 0808M	VN 0808 MTR, 2VN 0108A	VN 0808 MTR, 2VN 0108A
Q.....5		50,03-1505	VN 0808M	VN 0808 MTR, 2VN 0108A	VN 0808 MTR, 2VN 0108A
Q.....6		50,03-1505	VN 0808M	VN 0808 MTR, 2VN 0108A	VN 0808 MTR, 2VN 0108A
Q.....7		50,03-1505	VN 0808M	VN 0808 MTR, 2VN 0108A	VN 0808 MTR, 2VN 0108A
Q.....8		50,03-1505	VN 0808M	VN 0808 MTR, 2VN 0108A	VN 0808 MTR, 2VN 0108A
Q.....9		50,03-1505	VN 0808M	VN 0808 MTR, 2VN 0108A	VN 0808 MTR, 2VN 0108A
Q.....10		50,03-1505	VN 0808M	VN 0808 MTR, 2VN 0108A	VN 0808 MTR, 2VN 0108A
Q.....11		50,03-1505	VN 0808M	VN 0808 MTR, 2VN 0108A	VN 0808 MTR, 2VN 0108A
Q.....12		50,03-1505	VN 0808M	VN 0808 MTR, 2VN 0108A	VN 0808 MTR, 2VN 0108A
Q.....13		50,03-1505	VN 0808M	VN 0808 MTR, 2VN 0108A	VN 0808 MTR, 2VN 0108A
Q.....14		50,03-1505	VN 0808M	VN 0808 MTR, 2VN 0108A	VN 0808 MTR, 2VN 0108A
Q.....15		50,03-1505	VN 0808M	VN 0808 MTR, 2VN 0108A	VN 0808 MTR, 2VN 0108A
Q.....16		50,03-1505	VN 0808M	VN 0808 MTR, 2VN 0108A	VN 0808 MTR, 2VN 0108A
Q.....17		50,03-1505	VN 0808M	VN 0808 MTR, 2VN 0108A	VN 0808 MTR, 2VN 0108A
R.....1		57,11-4152	1-5 KOhm		5Z
R.....2		57,11-4122	1-2 KOhm		5Z
R.....3		57,11-4102	1 KOhm		5Z
R.....4		57,11-4683	68 KOhm		5Z
R.....5		57,11-4683	68 KOhm		5Z

S T U D E R (00) 87/03/31 BD AUDIO PARALLEL REMOTE IF 1-328-506.00 PAGE 3

IND.	POS-NO.	PART NO.	VALUE	SPECIFICATIONS / EQUIVALENT	MANUF.
R.....6		57,11-4683	68 KOhm		5Z
R.....7		57,11-4683	68 KOhm		5Z
R.....8		57,11-4683	68 KOhm		5Z
R.....9		57,11-4683	68 KOhm		5Z
R.....10		57,11-4683	68 KOhm		5Z
R.....11		57,11-4683	68 KOhm		5Z
R.....12		57,11-4103	10 KOhm		5Z
R.....13		57,11-4270	27 Ohm		5Z
R.....14		57,11-4270	27 Ohm		5Z
R.....15		57,11-4270	27 Ohm		5Z
R.....16		57,11-4270	27 Ohm		5Z
R.....17		57,11-4270	27 Ohm		5Z
R.....18		57,11-4270	27 Ohm		5Z
R.....19		57,11-4270	27 Ohm		5Z
R.....20		57,11-4270	27 Ohm		5Z
R.....21		57,11-4683	68 KOhm		5Z
R.....22		57,11-4683	68 KOhm		5Z
R.....23		57,11-4683	68 KOhm		5Z
R.....24		57,11-4683	68 KOhm		5Z
R.....25		57,11-4683	68 KOhm		5Z
R.....26		57,11-4683	68 KOhm		5Z
R.....27		57,11-4683	68 KOhm		5Z
R.....28		57,11-4683	68 KOhm		5Z
R.....29		57,11-4270	27 Ohm		5Z
R.....30		57,11-4270	27 Ohm		5Z
R.....31		57,11-4270	27 Ohm		5Z
R.....32		57,11-4270	27 Ohm		5Z
R.....33		57,11-4270	27 Ohm		5Z
R.....34		57,11-4270	27 Ohm		5Z
R.....35		57,11-4270	27 Ohm		5Z
R.....36		57,11-4270	27 Ohm		5Z
RZ.....1		57,88-4103		R-Network 8010 KOhm SIP 9	5Z
RZ.....2		57,88-4332		R-Network 8013 KOhm SIP 9	5Z
RZ.....3		57,88-3472		R-Network 8017 KOhm DIL 16	5Z
RZ.....4		57,88-4332		R-Network 8013 KOhm SIP 9	5Z
RZ.....5		57,88-4103		R-Network 8010 KOhm SIP 9	5Z

S T U D E R (00) 87/03/31 BD AUDIO PARALLEL REMOTE IF 1-328-506.00 PAGE 4

IND.	POS.NO.	PART NO.	VALUE	SPECIFICATIONS / EQUIVALENT	MANUF.
	RZ....6	57.88.4332		R-Network 8±3,3 kOhm SIP 9 5%	
	RZ....7	57.88.3472		R-Network 8±4,7 kOhm DIL 16 5%	
	RZ....8	57.88.4332		R-Network 8±3,3 kOhm SIP 9 5%	

Note 1 - Contact pin, 2 pieces : Studer nr. 54.01.0020
 Berg nr. 75 160-102-36
 Philips nr. 2422 025 89303
 Bridge: Studer nr. 54.01.0021
 Berg nr. 65 474-001
 Philips nr. 2422 024 88003

Note 2 - Connector, 26 contacts: Yamaichi nr. FAP-16-08-4055
 Burndy nr. 3PH 9 B16 B00 GS
 3M nr. 7616-6002 VZ

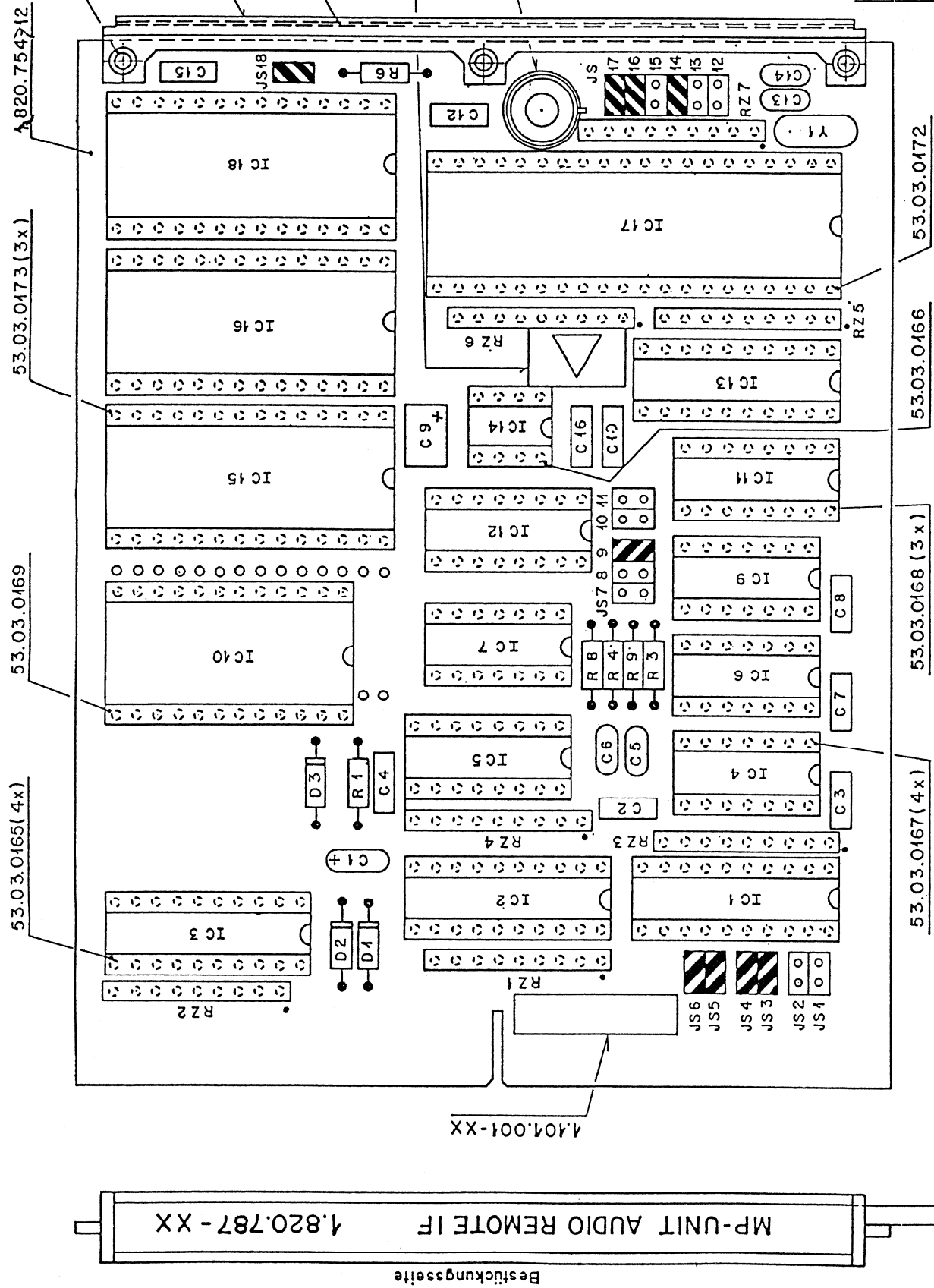
Note 3 - Connector, 20 Contacts: AMP nr. 1-163.680-9

Sal=Solid Aluminium, PETP=Polyesterfilm.

MANUFACTURER: Fc=Fairchild, ITT=Intermetall, Mot=Motorola, Ph=Philips,
 RCA=Radio Corporation of America, Ri=Rifa, SGS=SGS/Ates,
 Sie=Siemens, Six=Siliconix, Tf=Telefunken, Tho=Thomson,
 TI=Texas Instrument, To=Toshiba

ORIG 87/03/31

S T U D E R (00) 87/03/31 BD AUDIO PARALLEL REMOTE IF 1.328.506.00 PAGE 5



1,5 ÷ 2,5 mm Lötstellenhöhe

53.03.0165(4x)
53.03.0169
53.03.0173(3x)
A820.754712

53.03.0167(4x)
53.03.0168(3x)
53.03.0166
53.03.0172

28.21.1370(3x)
1.010.006-33(2x)
4.820.785-04
1.010.096-49
43.01.0108
1.010.015-50

INSERTED
Bestückt
JS 3, 14, 16, 17, 18
3, 4, 5, 6

Änderung							
Ausgabe	15.5.87	1/100					20
Datum							Index
Gez.							Gez.
Exp.							Exp.

Kopie für:

Zugehörige Unterlagen:	Freimasttoleranz:	Maßstab:
PL	±	2:1
Ersatz für: Zchg. gl. Nr. v. 7.12.84	Ersetzt durch:	
ESE MP-UNIT AUDIO REMOTE IF Benennung:		
STUDER REGENSDORF ZÜRICH		
Nummer: 1.820.787-00		

(ZC)	C.....1	59-26-0470	47 UF	20% 6.3V ± S1	Ph
(ZC)	C.....2	55-C6-0683	68 nF	10% 6.3V ± PETP	
(ZC)	C.....3	59-06-0683	68 nF	10% 6.3V ± PETP	
(ZC)	C.....4	55-C6-0683	68 nF	10% 6.3V ± PETP	
(ZC)	C.....5	59-34-2151	150 PF	2% Cb	
(ZC)	C.....6	59-34-2151	150 PF	2% Cb	
(ZC)	C.....7	55-06-0683	68 nF	10% 6.3V ± PETP	
(ZC)	C.....8	59-06-0683	68 nF	10% 6.3V ± PETP	
(ZC)	C.....9	59-26-2100	10 UF	20% 16V ± S1	
(ZC)	C.....10	59-06-0683	68 nF	10% 6.3V ± PETP	
(ZC)	C.....11		not used		
(ZC)	C.....12	55-C6-0683	68 nF	10% 6.3V ± PETP	
(ZC)	C.....13	59-34-2330	33 PF	5% Cb	
(ZC)	C.....14	59-34-2330	33 PF	5% Cb	
(ZC)	C.....15	59-06-0683	68 nF	10% 6.3V ± PETP	
(ZC)	C.....16	55-06-0104	100 nF	10% 6.3V ± PETP	
(ZC)	D.....1	50-04-0125	1K 4448	IN 5819	Fe,ITT,Ph,Ses,Tf
(ZC)	D.....2	50-04-0512	1N 5818	Hot	
(ZC)	D.....3	5C-C4-0125	1N 4448	Fe,ITT,Ph,Ses,Tf	
(ZC)	IC.....1	50-17-1541	74 MC 541	Not,NS,Ph,RCA,SGS,Ti,To	
(ZC)	IC.....2	50-17-1541	74 MC 541	Not,NS,Ph,RCA,SGS,Ti,To	
(ZC)	IC.....3	50-17-1645	74 MC 645	Not,NS,Ph,RCA,SGS,Ti,To	
(ZC)	IC.....4	50-17-1000	74 MC 00	Not,NS,Ph,RCA,SGS,Ti,To	
(ZC)	IC.....5	50-17-1138	74 MC 138	Not,NS,Ph,RCA,SGS,Ti,To	
(ZC)	IC.....6	50-17-1002	74 MC 02	Not,NS,Ph,RCA,SGS,Ti,To	
(ZC)	IC.....7	50-17-1393	74 MC 393	Not,NS,Ph,RCA,SGS,Ti,To	
(ZC)	IC.....8		not used		
(ZC)	IC.....9	50-17-0004	74 HCT 04	Not,NS,Ph,RCA,SGS,Ti,To	
(ZC)	IC.....10	50-14-0107	M6116LP-4	Hi,DKI	
(ZC)	IC.....11	50-17-1139	74 MC 139	Not,NS,Ph,RCA,SGS,Ti,To	
(ZC)	IC.....12	50-15-0105	PC 3487 P	Not,NS	
(ZC)	IC.....13	5C-17-1573	74 MC 573	Not,NS,Ph,RCA,SGS,Ti,To	
(ZC)	IC.....14	50-11-0122	TL7705ACP	Ti	
(ZC)	IC.....15		not used		
(ZC)	IC.....16		not used		

S T U C E R (20) 87/05/15 ED 1.-820.787-00 PAGE 1 MP-UNIT REMOTE IF

(ZC)	IC.....17	50-16-0107	MC6803P-1	6803P-L	Not,HI
(ZC)	IC.....18	50-14-0125	27128	HN 4827128G-30	Hi,It
(ZC)	IC.....19	1.-820-984-20		Software 20/87, see note 1	
(ZC)	J3.....1			see note 2	
(ZC)	J3.....2			see note 2	
(ZC)	J3.....3			see note 2	
(ZC)	J3.....4			see note 2	
(ZC)	J3.....5			see note 2	
(ZC)	J3.....6			see note 2	
(ZC)	J3.....7			see note 2	
(ZC)	J3.....8			see note 2	
(ZC)	J3.....9			see note 2	
(ZC)	J3.....10			see note 2	
(ZC)	J3.....11			see note 2	
(ZC)	J3.....12			see note 2	
(ZC)	J3.....13			see note 2	
(ZC)	J3.....14			see note 2	
(ZC)	J3.....15			see note 2	
(ZC)	J3.....16			see note 2	
(ZC)	J3.....17			see note 2	
(ZC)	J3.....18			see note 2	
(ZC)	R.....1	57-11-4332	3-3 kChm	2%	
(ZC)	R.....2		not used		
(ZC)	R.....3	57-11-4122	1-2 kChm	2%	
(ZC)	R.....4	57-11-4122	1-2 kChm	2%	
(ZC)	R.....5		not used		
(ZC)	R.....6	57-11-4471	470 Ohm	2%	
(ZC)	R.....7		not used		
(ZC)	R.....8	57-11-4472	4-7 kChm	2%	
(ZC)	R.....9	57-11-4472	4-7 kChm	2%	
(ZC)	RZ.....1	57-88-4332		see note 3	
(ZC)	RZ.....2	57-88-4332		see note 3	
(ZC)	RZ.....3	57-88-4332		see note 3	
(ZC)	RZ.....4	57-88-4332		see note 3	

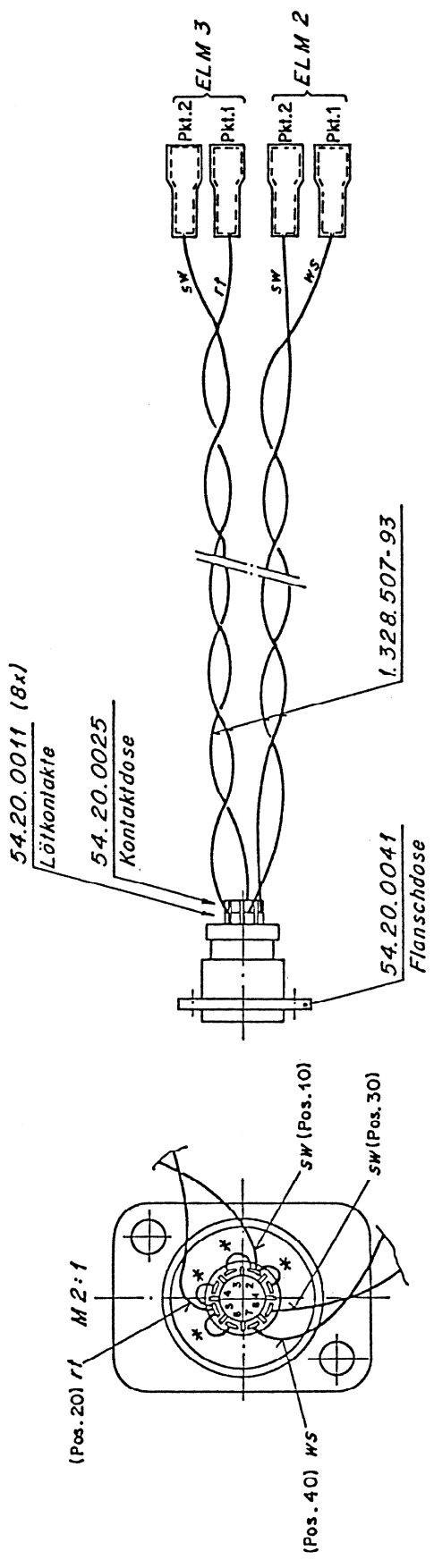
S T U C E R (20) 87/05/15 ED 1.-820.787-00 PAGE 2 MP-UNIT REMOTE IF

(ZC)	RZ.....5	57-88-4332		see note 3	
(ZC)	RZ.....6	57-88-4332		see note 3	
(ZC)	RZ.....7	57-88-4332		see note 3	
(ZC)	RZ.....8	57-88-4332		see note 3	

S T U C E R (20) 87/05/15 ED 1.-820.787-00 PAGE 3 MP-UNIT REMOTE IF

(ZC)	RZ.....9	57-88-4332		see note 3	
(ZC)	RZ.....10	57-88-4332		see note 3	
(ZC)	RZ.....11	57-88-4332		see note 3	
(ZC)	RZ.....12	57-88-4332		see note 3	

S T U C E R (20) 87/05/15 ED 1.-820.787-00 PAGE 3 MP-UNIT REMOTE IF



* Schalldraht

Norm-Nr.:	Güte:	Änderung	③
DIN-Bez.:	Beh.:		②
Abmessung:			①
Zugehörige Unterlagen:	Freimassoleranz: ±	Ausgabe	①
Ersatz für:	Ersetzt durch:	Datum	5.3.87
		Gez.	A.HO/MEC
		Gepr.	11.11
		Indes.	

STUDER
REGENSDORF
ZÜRICH

**Anschlusstecker
verdrahtet**

1.328.507-00