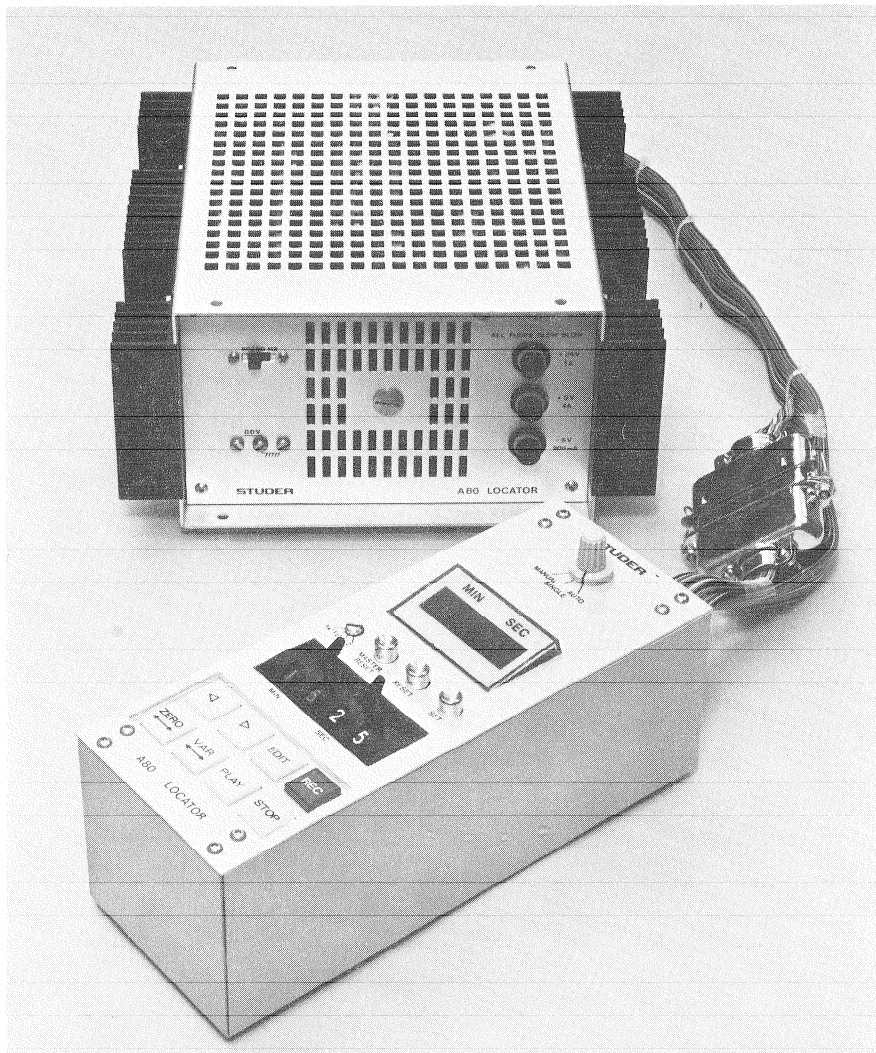


## PRODUCT INFORMATION 1/78<sub>E</sub>



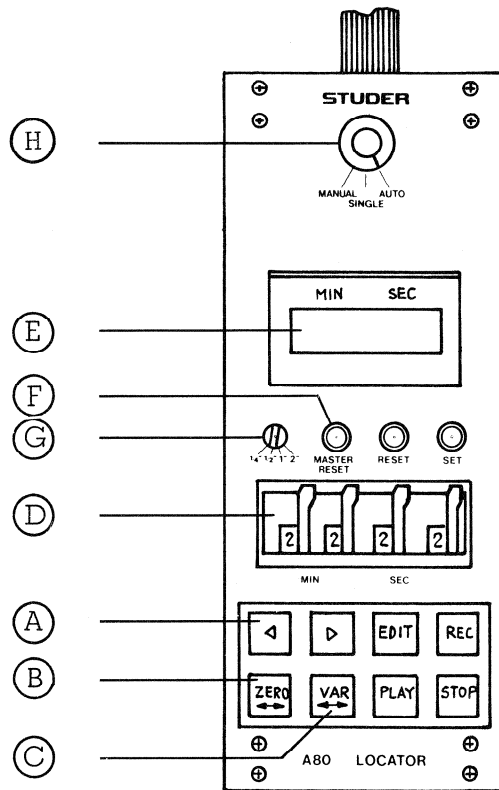
### **AUTOLOCATOR PRESELECTOR UNIT FOR STUDER A80**

The A 80 Preselector Unit permits rapid and accurate location of a preprogrammed position on a tape. Simply pressing a button automatically locates an arbitrarily chosen zero on the tape position indicator or a preselected tape time. With the braking times normally adjusted, the location of the required place is achieved without overrunning the preselected point on the tape.

By using timing pluses from the tape-positioning electronics the preselector unit works with high accuracy: Within one second on 7.5/15 inches per second machines within 0.5 seconds on 15/30 inches per second machines. The A80 Preselector Unit eases the task of the sound engineer during recording and mixing, thus enabling him to work more efficiently.

The Preselector Unit is very useful not only in recording studios but in any application where it is necessary to listen to a recording over and over again. The preselector consists of a command unit which is connected to the electronic unit by means of a cable.

Operating Instruction for the A 80 Preselector Unit



Input Unit

- A Tape deck operating buttons.
- B ZERO button for automatic location of tape counter position 00.00.
- C VAR button for automatic location of preselected position.
- D Coding thumbwheel for selection of required tape position and for setting the counter.
- E Electronic minutes/seconds counter with SET and RESET pushbuttons.
- F MASTER RESET pushbutton.
- G Switch for setting tape width (1/4, 1/2, 1 and 2 inches).

To facilitate installation in a mixing desk, the casing can be dismantled.

- H Switch for operating function: manual, single, auto

## Electronic Unit

### Front Panel

The following items:

- Three fuses
- Switch plate for breaking the chassis-0.0 connection
- 50/60 Hz change-over switch

### Rear Panel

The following items:

- Cable to input unit
- 36-pole Amphenol connector tape deck control
- 24-pole Amphenol connector for additional indicator units
- 14-pole Amphenol connector for power supply

### Operation

Automatic location is initiated by pressing one of the two buttons ZERO or VAR. The ZERO key locates the tape position 00.00 provided by the tape counter E ; the VAR key locates L the tape position pre-selected on the coding switch D .

The search procedure ends:

- a When the prescribed tape position is reached,whereupon the unit goes to STOP or PLAY.
- b By pressing the STOP button.
- c Automatically, e.g. at the end of the tape.

Whereas the transport buttons A have their normal functions when the search function is not activated,certain buttons behave differently in the following manner during the automatic process:

- a FORW/REW: Dominant all the time the button is pressed; reverts to automatic when released.



- b PLAY: Cannot be activated.  
By pressing the PLAY button during automatic running, the PLAY function is preprogrammed so that the unit goes over automatically to PLAY the moment the tape stops at the preselected position.

Should the unit switch prematurely to the PLAY function during the search procedure, the STOP and PLAY keys must be pressed one after the other.

The MASTER RESET button F resets counter E and the tape deck counter to zero. The RESET button sets only the preselector counter E to zero. In this way the tape deck counter can be used for the actual length of a production whilst the preselector counter E can, for example, be set back to zero for each new section of the programme.

The SET button transfers a value preselected on the coding switch to the preselector counter E .

The two switches  $\frac{1}{4}$  -  $\frac{1}{2}$  - 1 - 2 inches G , and 50/60 Hz (in the electronic unit), together with automatic adjustment to the appropriate tape speed, allow a preselected position on the tape to be approached at the highest possible speed consistent with not overrunning the preselected position.

#### Restrictions

- On 15/30 inches per second units, half-seconds are indicated; however, only full seconds can be set on the coding switch. As a result, ZERO button initiates automatic search with an accuracy within a step of 0.5 secs. The counter reading, however, can be set only to whole seconds.
- There is no provision for connecting additional deck controls (no output).
- The automatic functions cannot be remotely controlled.
- A preprogramming facility for the RECORD function, analgous to the PLAY function, is not possible for safety reasons.

#### Power Supply

The power supply for the preselector is provided via the 14-pole "SUPPLY" Amphenol connector. Required are (approx.):

- + 10 V/ 3 A
- 10 V/ 150 mA           unstabilised
- + 31 V/ 400 mA

The stabilisation is built in.

The voltages can be taken from the "REMOTE POWER SUPPLY", which can be up to 20 metres away (with a suitably large gauge of wiring) or can be installed, for example, in the bottom of the mixing desk.

This "RPS" may be required at the same time for supplying additional A 80 accessory units.

26.4.1976

FK/ge

The right is reserved to make alterations in the interests of technical improvement.



Remove cover from rear face

- Pull out mains connector on rear face.
- Undo the 2 socket head screws on the rear face.
- Fold down cover plate.

Modification to wiring

From remote control plug GR 22 to control unit GR 20.

Signal Name	Length	Colour	FROM				TO			
			GR	EL	PT	Type	GR	EL	PT	Type
YPS-MOVE	1020	violet	22	22	9	L	20	10	16A	V
- 5.8	1050	blue	22	22	15	L	20	10	24B	V
S-HIGH	1000	yellow	22	22	27	L	20	2	13	V

GR = Group

EL = Element

PT = Connection point

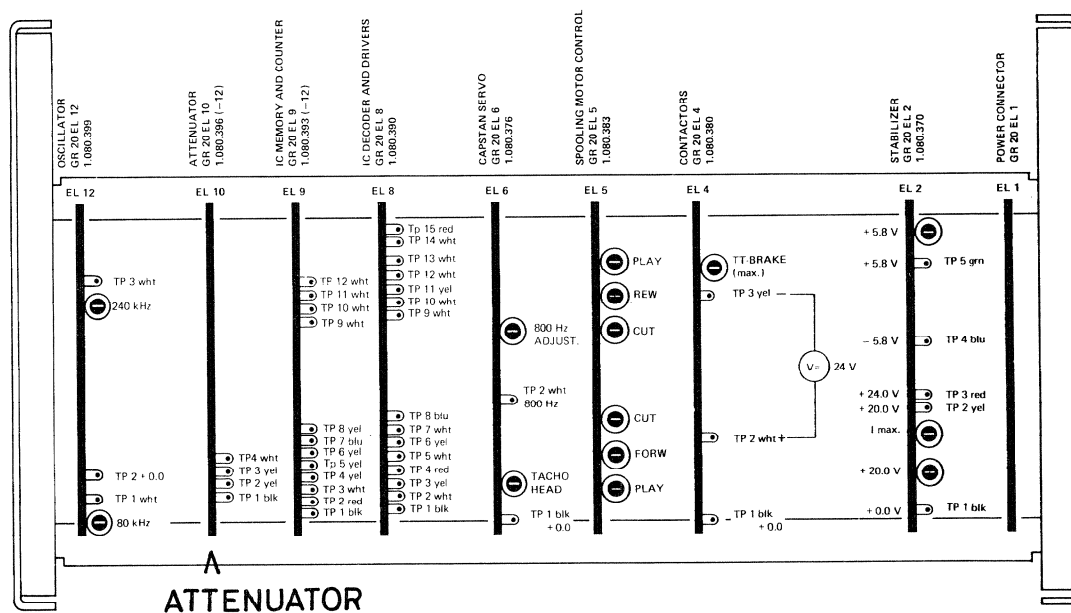
L = Soldered joint

V = Plug socket

The 3 new leads are to be included in the existing bundle of wires (laid into the existing bundle of wires). This leads from the remote control plug (GR 22) to the control unit (GR 20). The old wiring ties are to be cut in turn and replaced immediately the new wires have been laid.

ATTENUATOR (GR 20 EL 10) Logic Card Change

- Replace logic card ATTENUATOR EL 10 (1.080.396-12) by new logic card 1.080.396-13.



Checks

- Visual check of wiring at remote control plug GR 22:  
 Connection point 9 violet wire  
 Connection point 15 blue wire  
 Connection point 27 yellow wire
  - Reading with unearthed multimeter:  
 Connection point 15 relative to connection point 30: -5.8 VDC  
 Connection point 27 relative to connection point 12 with  
 tape speed 7.5 ips (15 ips) : 0 V  
 tape speed 15 ips (30 ips) :24 VDC
- Connection point 9 relative to connection point 12, turning the right hand guide pulley very slowly produces irregular changes of potential between 0 V approx. and 24 VDC approx. If turned faster, an average d.c. voltage is established.



Remove cover from rear face

- Full out mains connector on rear face
- Undo the 2 socket head screws on the rear face
- Fold down the cover plate

Modification to wiring

From remote control plug GR 22 to control unit GR 20.

Signal Name	Length	Colour	FROM				TO			
			GR	EL	PT	Type	GR	EL	PT	Type
YPS-MOVE	1020	violet	22	22	9	L	20	10	16A	V
-5.8 V	1050	blue	22	22	15	L	20	10	24B	V
S-HIGH	1250	yellow	22	22	27	L	20	2	13	V

GR = Group

EL = Element

PT = Connection point

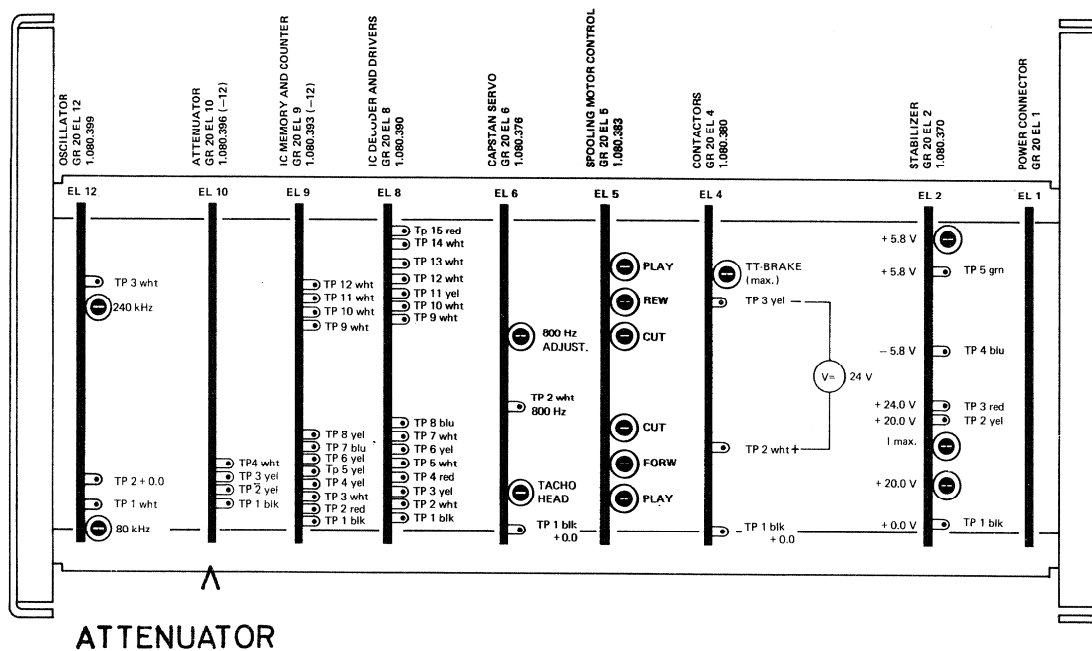
L = Soldered joint

V = Plug socket

The 3 new leads are to be included in the existing bundle of wires (laid in the existing bundle of wires). This leads from the remote control plug (GR 22) to the control unit (GR 20). The old wiring ties are to be cut in turn and replaced by new ones immediately the leads have been laid.

ATTENUATOR (GR 20 EL 10) Logic Card Change

- Replace logic card ATTENUATOR EL 10 (1.080.396-12) by new logic card 1.080.396-13.



Checks

- Visual checks of wiring at remote control plug GR 22:  
 Connection point 9 violet wire  
 Connection point 15 blue wire  
 Connection point 27 yellow wire
  - Reading with unearthed multimeter:  
 Connection point 15 relative to connection point 30:-5.8 VDC  
 Connection point 27 relative to connection point 12 with  
 tape speed 7.5 ips (15 ips): 0 V  
 tape speed 15 ips (30 ips):24 VDC
- Connection point 9 relative to connection point 12, turning the right hand guide pulley very slowly produces irregular changes of voltage between 0 V approx. and 24 VDC approx. If turned faster, an average d.c. voltage is established.



### Conversion Instructions for Automatic Preselector

The conversion affects only the input unit. The complete conversion kit can be obtained under Order No. 1.228.290. This conversion kit includes the following items:

- 1 "S" casing
- 1 Front panel
- 1 U-extension
- 1 Display bracket
- 1 Circuit card including wiring, switch and fixing bracket
- 4 Countersunk screws
- 1 Rotary knob with nut cover

### Removal of Input Unit without Automatic Unit

- 1.1 Remove input unit
- 1.2 Unscrew front panel and display bracket

### Installation of the Automatic Unit in the Input Unit

- 2.1 Fix new display bracket
- 2.2 Screw on U-extension and circuit card
- 2.3 Fit new front panel
- 2.4 Screw on switch
- 2.5 Insert wiring
- 2.6 Install input unit and automatic unit

### Removal of Input Unit without Automatic Unit

- 1.1 - Undo the top outer 2 socket head screws and the bottom outer 2 socket head screws.
  - Remove the input unit from the casing or mixing desk.
- 1.2 - Undo the remaining 4 socket head screws and remove the front panel.
  - Unscrew the display bracket (2 screws).

### Installation of the Automatic Unit in the Input Unit

- 2.1 - Screw on new display bracket.
  - 2 roundhead screws on display.
  - 2 countersunk screws on U front panel.
- 2.2 - Place U-extension on display bracket.
  - Hold circuit-card with soldered wiring under display bracket. (Soldered side towards display).
  - Screw on U-extension, display bracket and circuit-card with 2 countersunk screws.
- 2.3 - Fix front panel with the 4 inner socket head screws.
- 2.4 - Push the rotary switch through its hole from underneath. (Projection on rotary switch in small hole).
  - Tighten nut from above.
  - Attach rotary knob with nut cover to switch spindle.
  - Press cap onto rotary knob.
- 2.5 - Push the plug of the automatic unit into the lower connector of the input unit.
  - Join the connector of the automatic unit to the plug of the electronic unit. (Check orientation of plug).
  - The second plug of the electronic unit is inserted between the wires of the automatic unit into the upper plug of the input unit.
- 2.6 - Fit the input unit back into the casing or mixing desk with the 4 outer socket head screws.

### Accessory to Preselector Unit

An automatic unit is available as an accessory. This can be integrated into the input unit without any difficulty by changing the front panel.

#### Function:

The automatic unit has three stages of operation.

##### 1. MANUAL

All the operating controls of the preselector can be used normally.

##### 2. SINGLE

The selected tape drive function (input operation of the deck) is maintained until the preselected time. When this position is reached, the machine automatically goes over to rewind ( ) up to the park position 00.00.

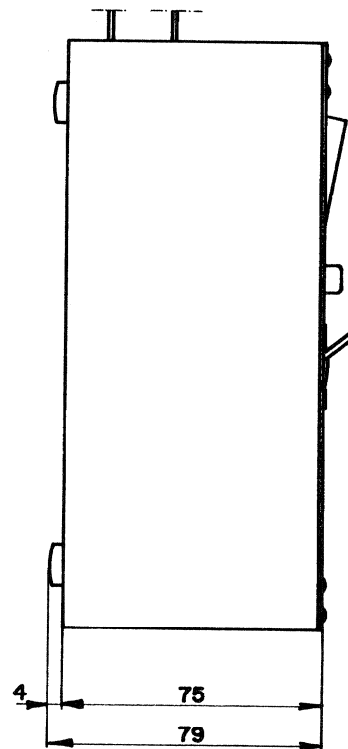
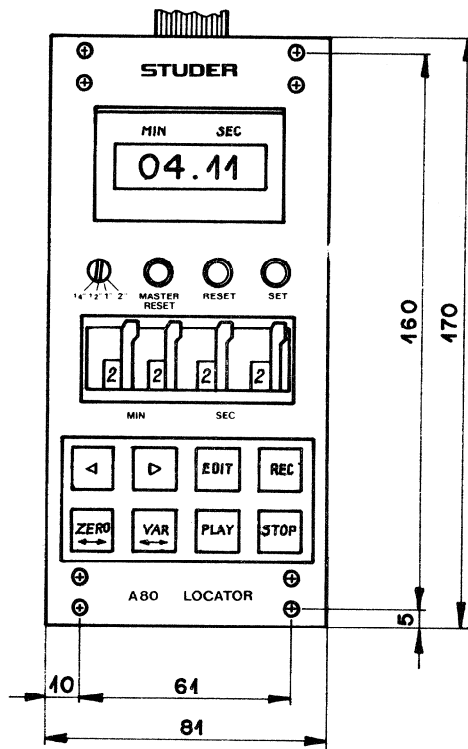
##### 3. AUTO

Similar sequence as for SINGLE except that arrival at (but, after reaching) the park position 00.00 is followed by automatic starting on PLAY.

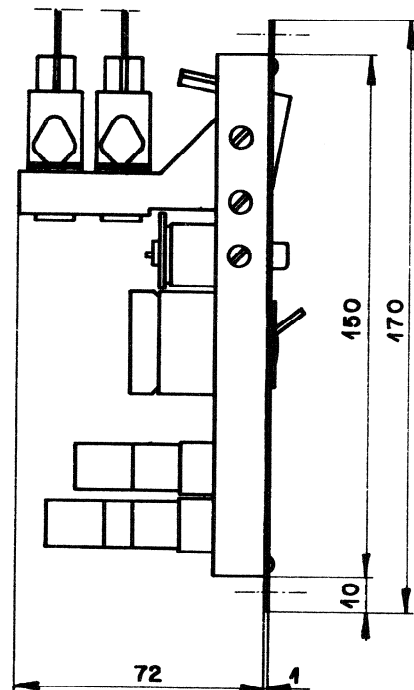
For safety reasons the automatic start always takes place on PLAY, regardless of the originally entered tape drive function (input operating function for the deck).

27.4.1976

FK/ge

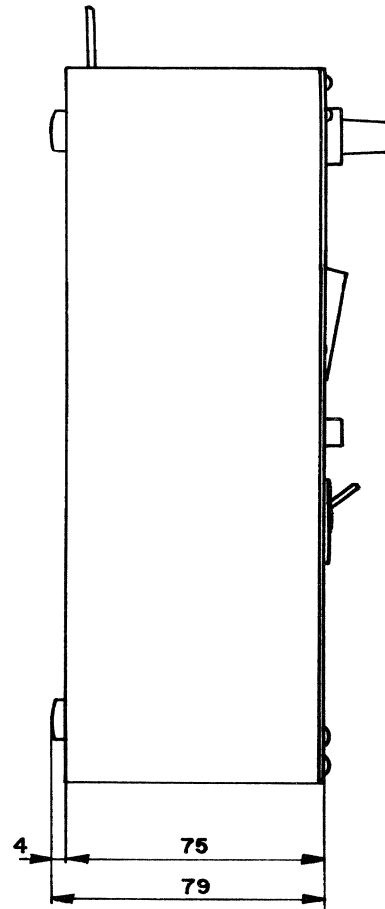
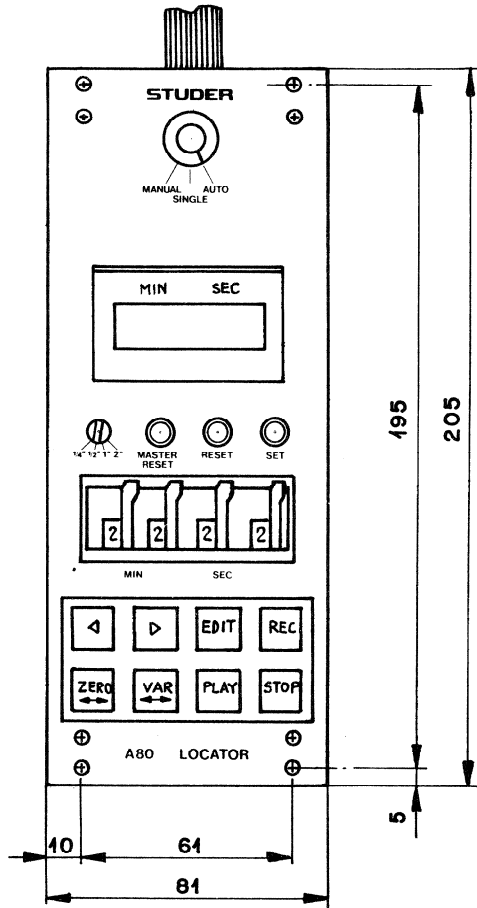


Einbau in Mischpult  
ohne Gehäuse →

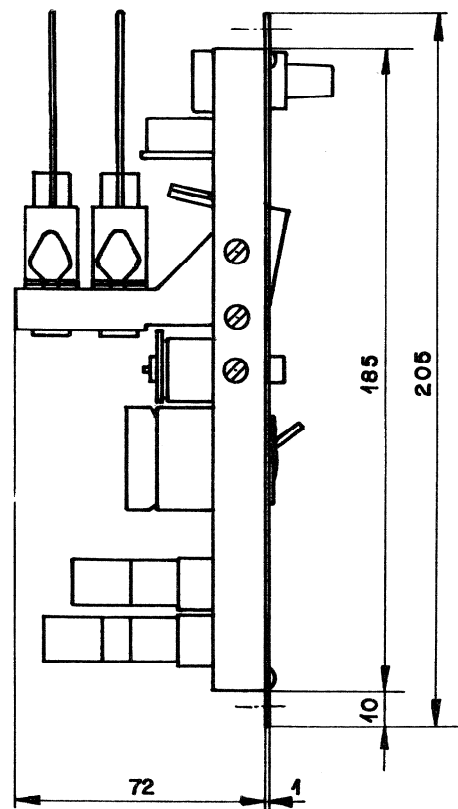


A 80 Locator control

4441

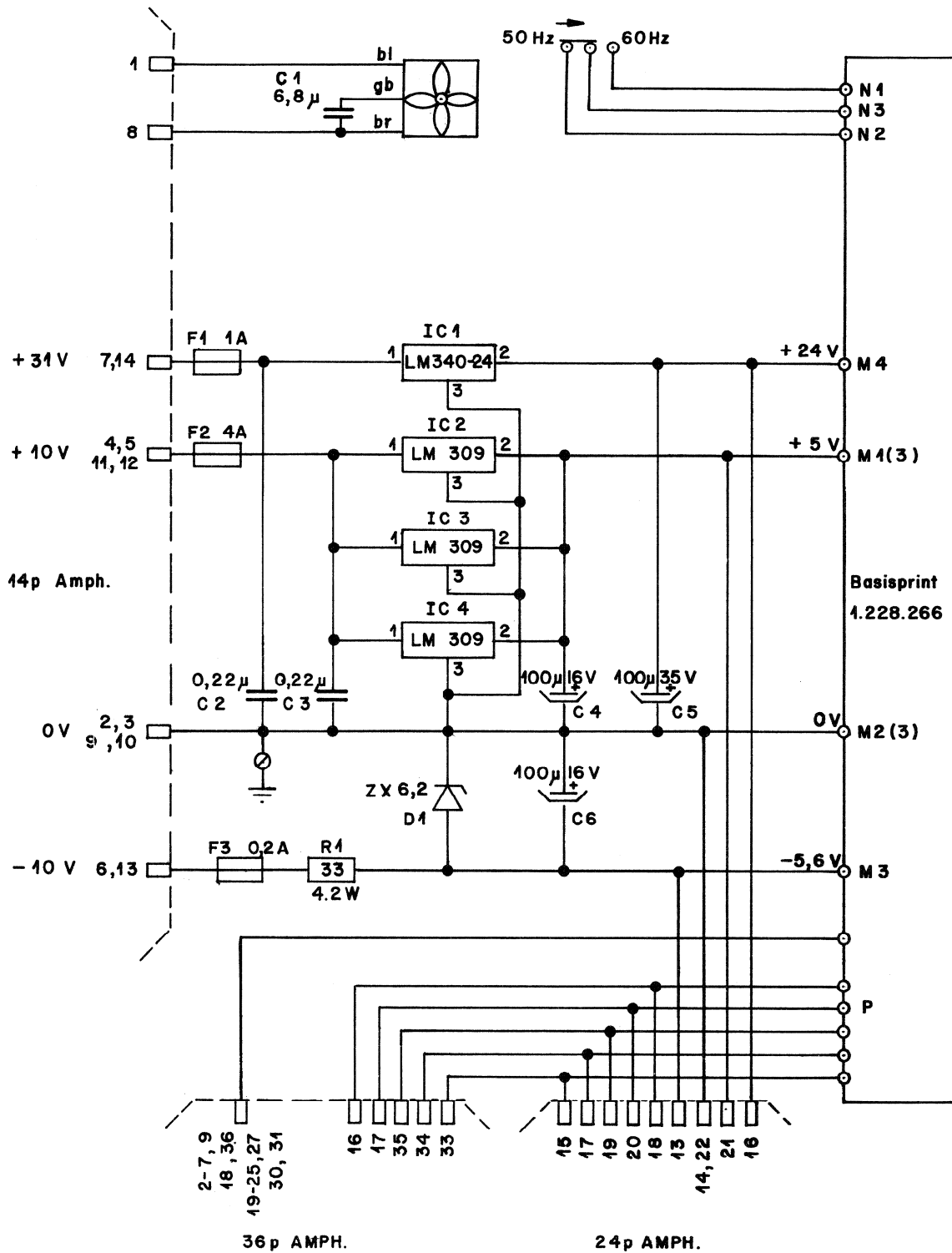


Einbau in Mischpult  
ohne Gehäuse →

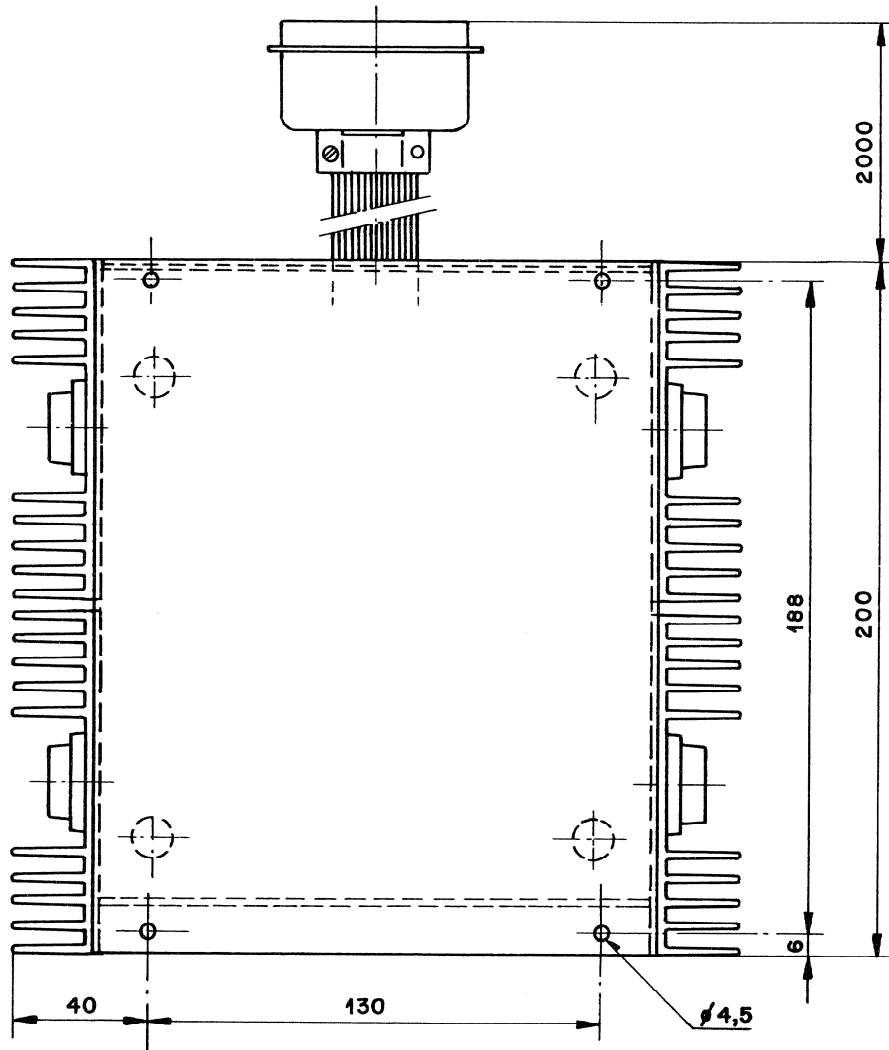
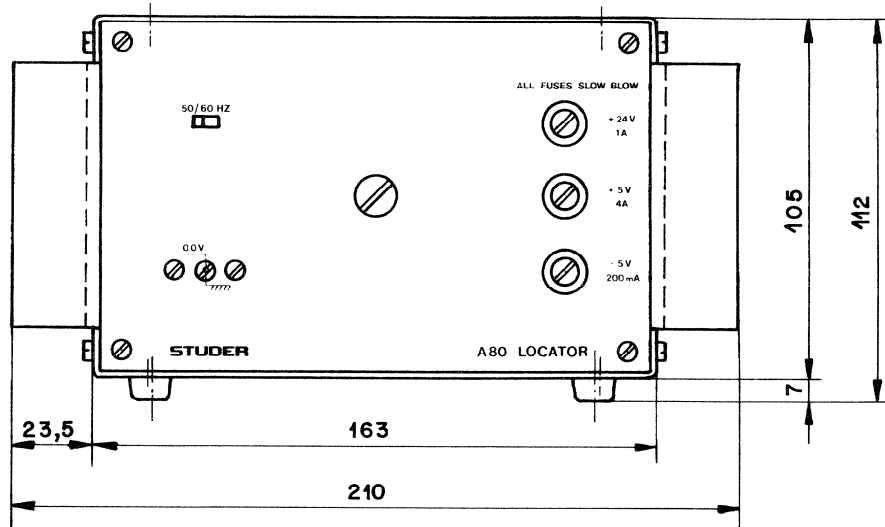


A 80 Locator with manual auto control

4442

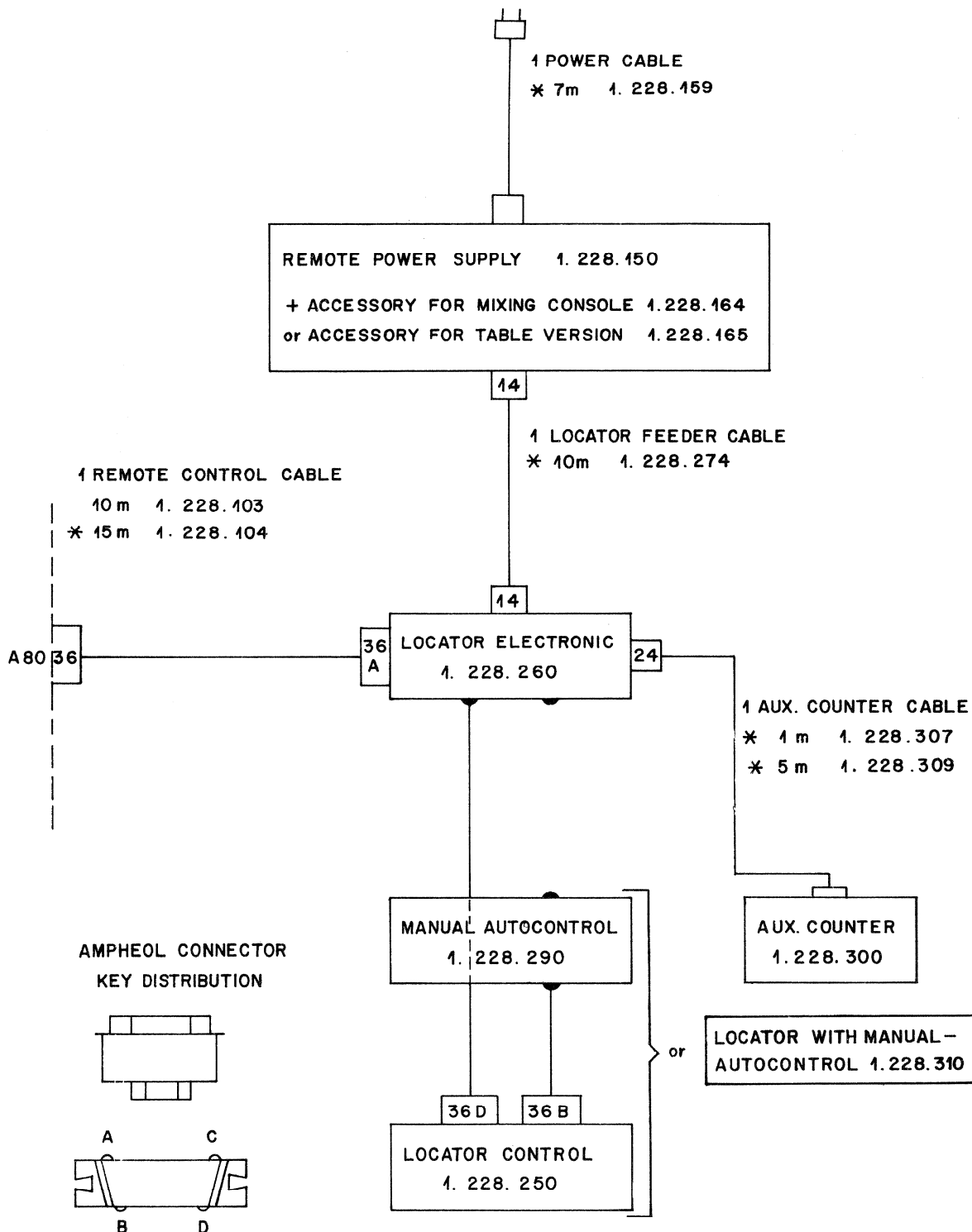


DIN-Bez.:	Oberfläche		Änderung						(2)
Abmessung:	Beh.:								(1)
Zugehörige Unterlagen:	Freimasstoleranz:	Maßstab:	Ausgabe	4.9.73	Ho	<i>Ka</i>			(0)
Ersatz für:	Ersetzt durch:	Kopie für:	Datum	Gez.	Gepr.	Ges.	Index		
<b>STUDER</b> REGENDORF ZÜRICH	Benennung: <b>Locator electronic</b>		Nummer: <b>7.228.260</b> Blatt 1						



**A 80 Locator electronic**

**4444**



\* DELIVERY EX STOCK

Zugehörige Unterlagen:		Freimasstoleranz:	Maßstab:	Ausgabe		Änderung	
		±		19. 9. 73	Ho		③
Ersatz für:		Ersetzt durch:	Kopie für:	Datum	Gez.	Gepr.	②
					Ges.	Index	①
<b>STUDER</b> REGENSDORF ZÜRICH		Benennung: <b>A80 LOCATOR</b>		Nummer: <b>4507</b>			



Anschlusschema der Flachbandkabel an Basisprint 1.228.266 und Preset Board 1.228.268

Stecker D

	Basis Print	Stecker Anschl.	Basis Print	
	0 1	1	19	I 4
	0 2	2	20	L 1
	0 3	3	21	L 2
	0 4	4	22	C 16
	0 5	5	23	C 15
	6	6	24	C 14
	7	7	25	C 13
	8	8	26	C 12
	9	9	27	C 11
	10	10	28	C 10
	11	11	29	C 9
	12	12	30	C 7
	13	13	31	C 6
	14	14	32	C 5
	15	15	33	C 4
	16	16	34	C 3
	17	17	35	C 2
	18	18	36	C 1

Preset board  
1.228.268

Stecker B

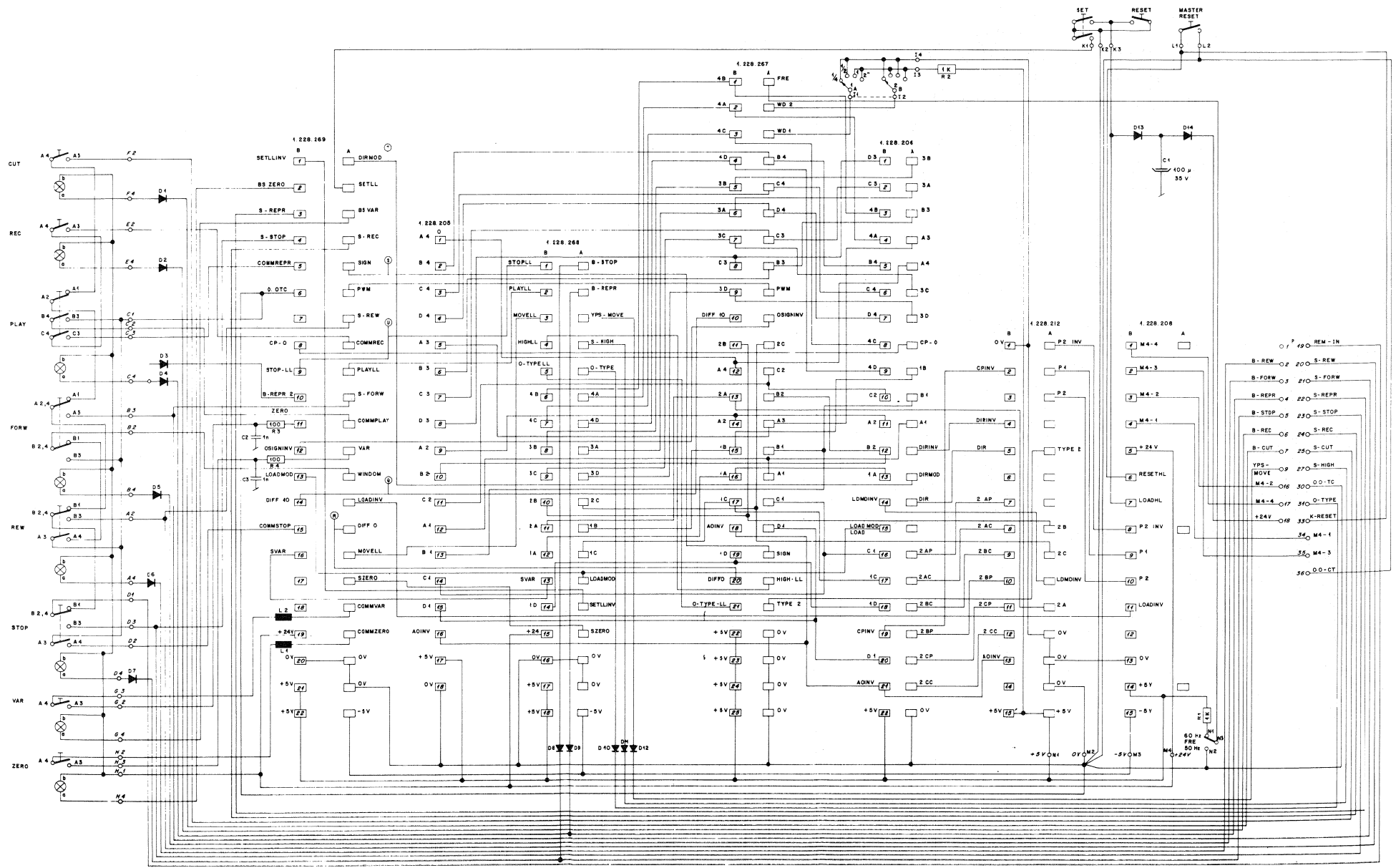
	Basis Print	Stecker Anschl.	Basis Print	
	I 3	1	19	A 2
	I 1	2	20	A 4
	I 2	3	21	B 2
	F 2	4	22	B 3
	F 4	5	23	B 4
	E 2	6	24	G 2
	E 4	7	25	G 3
	D 1	8	26	G 4
	D 2	9	27	C 1
	D 3	10	28	C 3
	D 4	11	29	C 4
	K 3	12	30	H 1
	K 1	13	31	H 4
	Q	14	32	H 2
	R	15	33	H 3
	S	16	34	C 2
	M 1	17	35	T
	M 2	18	36	U

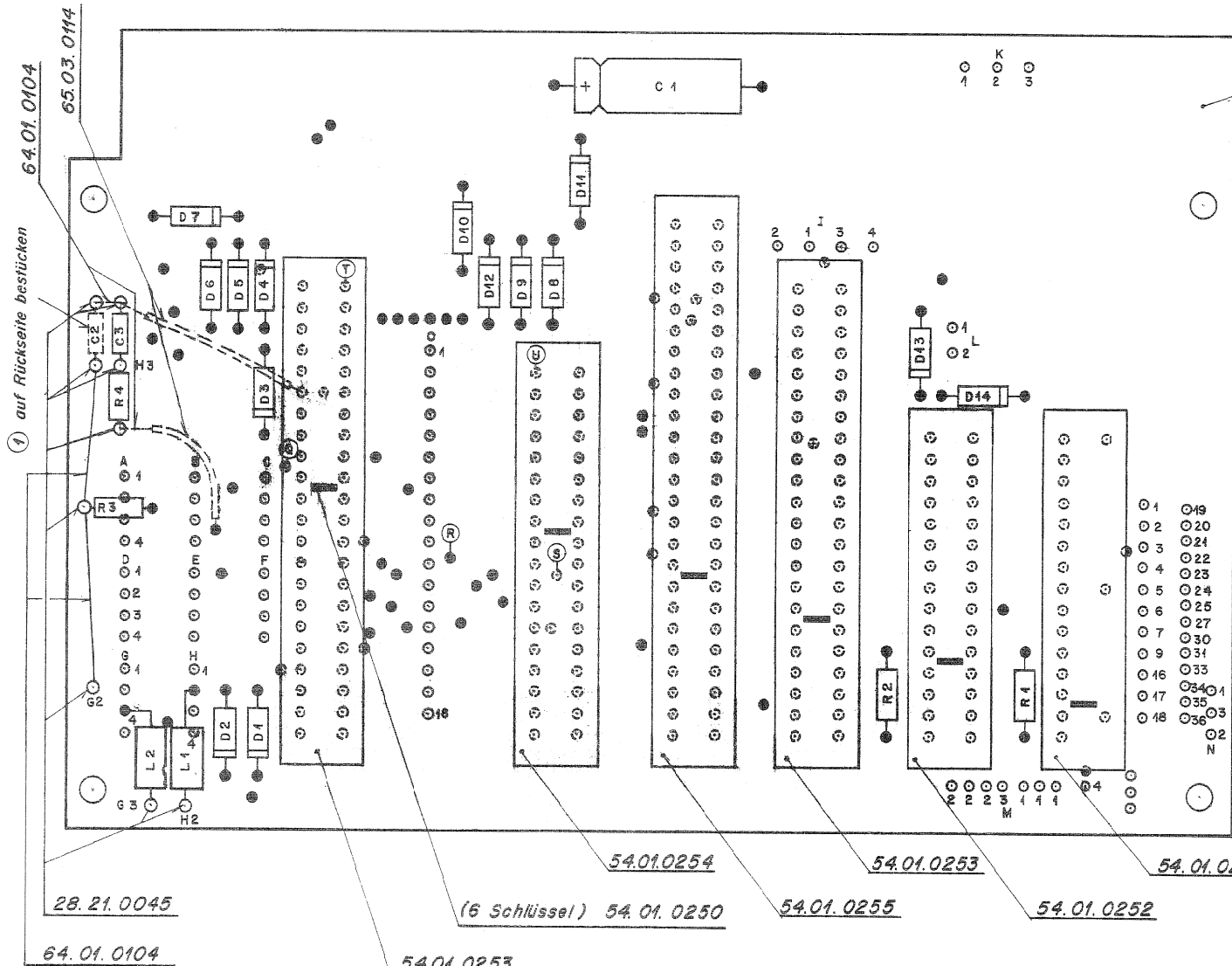
### Kupplung D

		Stecker Anschl.				
von Display		1	19	0 V	für Bandbr.Set, Reset, Thumbwheel	
		2	20	K-Res.	} Master Reset	
		3	21	O.OCT		
		4	22	ZM 1		
		5	23	ZM 2		
		6	24	ZM 4		
		7	25	ZM 8		
		8	26	EM 1		
		9	27	EM 2		
		10	28	EM 4	von	
		11	29	EM 8	Thumbwheel	
		12	30	ZS 1		
		13	31	ZS 2		
		14	32	ZS 4		
		15	33	ES 1		
		16	34	ES 2		
		+ 5	17	35	ES 4	
		0 V	18	36	ES 8	

### Kupplung B

		Stecker Anschl.				
von Tasten- halter 1.228.259	+ R	1	19	REW	B3	
	WD 2	2	20	REW	a	
	WD 1	3	21	FORW	B2	
	CUT A3	4	22	FORW	A3	
	CUT a	5	23	FORW	a	
	REC A3	6	24	VAR	A3	
	REC a	7	25	VAR	A4	
	STOP B4	8	26	VAR	a	
	STOP A3	9	27	Play	B3	
	STOP B3	10	28	Play	C3	
	STOP a	11	29	Play	a	
		12	30	REC	b	
		13	31	ZERO	a	
		14	32	ZERO	A4	
		15	33	ZERO	A3	
		16	34	Play	B4	
	Display	+ 5	17	35		
		0 V	18	36		





1.228.266-11

	Erste	Letzte	Fehlt
C	1	3	—
D	1	14	—
R	1	4	—
L	1	2	—

- 01 019
- 02 020
- 03 021
- 04 022
- 05 023
- 06 024
- 07 025
- 08 026
- 09 027
- 10 028
- 11 029
- 12 030
- 13 031
- 14 032
- 15 033
- 16 034
- 17 035
- 18 036
- 19 037
- 20 038
- 21 039
- 22 040
- 23 041
- 24 042
- 25 043
- 26 044
- 27 045
- 28 046
- 29 047
- 30 048
- 31 049
- 32 050
- 33 051
- 34 052
- 35 053
- 36 054
- 37 055
- 38 056
- 39 057
- 40 058
- 41 059
- 42 060
- 43 061
- 44 062
- 45 063
- 46 064
- 47 065
- 48 066
- 49 067
- 50 068
- 51 069
- 52 070
- 53 071
- 54 072
- 55 073
- 56 074
- 57 075
- 58 076
- 59 077
- 60 078
- 61 079
- 62 080
- 63 081
- 64 082
- 65 083
- 66 084
- 67 085
- 68 086
- 69 087
- 70 088
- 71 089
- 72 090
- 73 091
- 74 092
- 75 093
- 76 094
- 77 095
- 78 096
- 79 097
- 80 098
- 81 099
- 82 100

28.21.0045  
64.01.0104

(6 Schlüssel) 54.01.0250

54.01.0254

54.01.0253

54.01.0255

54.01.0253

54.01.0252

54.01.0251

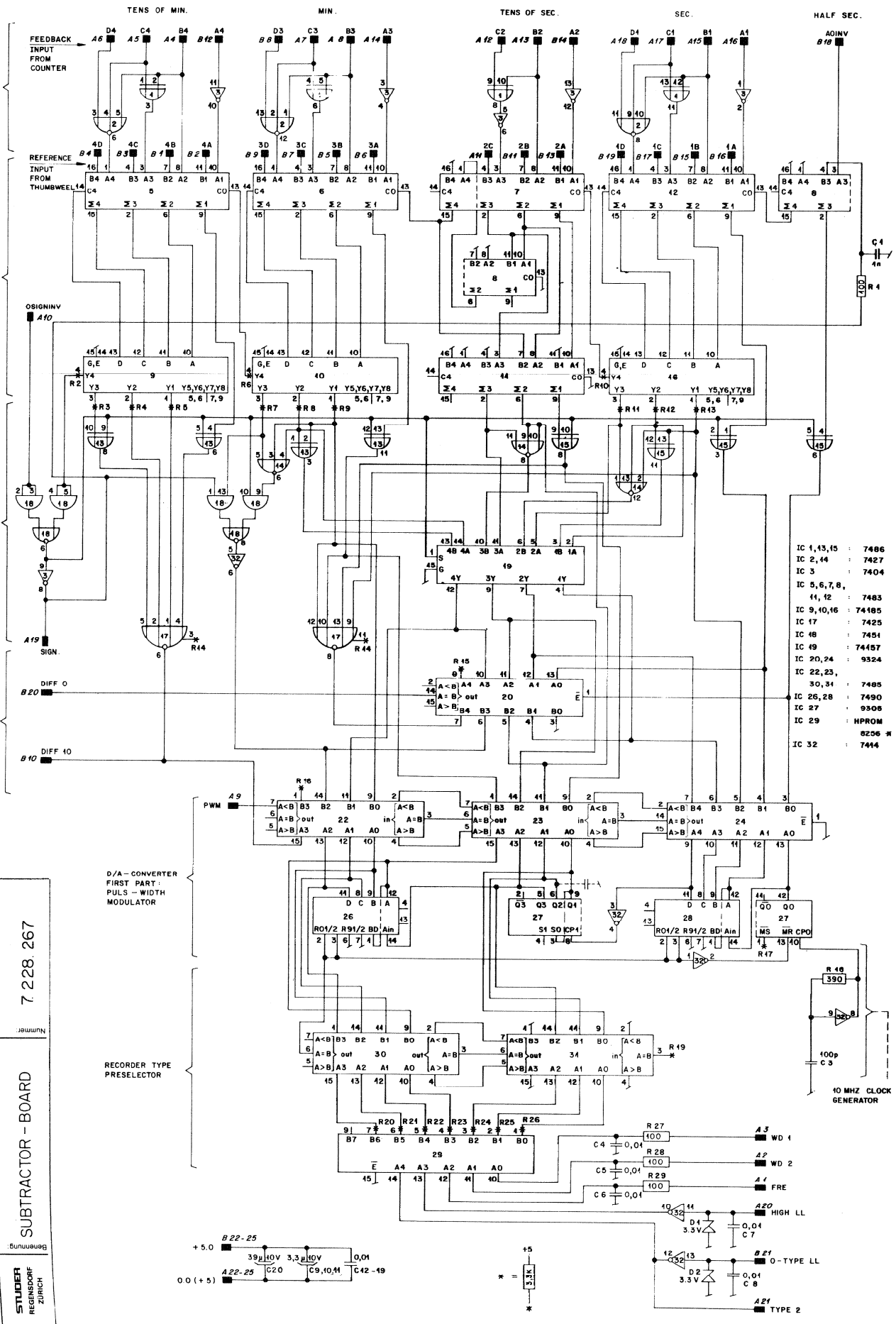
Änderung				③
				②
	21.11.74	SI	W	①
Ausgabe	13.9.73	HO	KG	④

Zugehörige Unterlagen: Pos. Liste 1.228.266 Abbiageliste 0.228.266	Freimasstoleranz: ±	Maßstab: 2:1	Datum 13.9.73		
Ersatz für:	Ersetzt durch:	Kopie für:			
STUDER REGENSDORF ZÜRICH	Benennung: locator interconnector board		Nummer: 1.228.266		

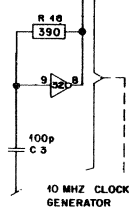
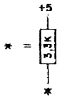
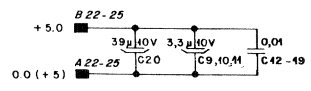
Pos.	Bauteil No.	Bezeichnung	Stk.	Bemerkung
C 01	59.25.5101	C 100 U, 50%, 40 V, EL	1	
C 02	59.32.1102	1 N, 10%, 500 V, KER	1	
D 01	50.04.0102	D 1 N 914 SI	1	
D 02	50.04.0102		1	
D 03	50.04.0102		1	
D 04	50.04.0102		1	
D 05	50.04.0102		1	
D 06	50.04.0102		1	
D 07	50.04.0102		1	
D 08	50.04.0102		1	
D 09	50.04.0102		1	
D 10	50.04.0102		1	
D 11	50.04.0102		1	
D 12	50.04.0102		1	
D 13	50.04.0102		1	
D 14	50.04.0102		1	
R 01	57.02.5102	R 1 K, 10%, .25 W, CMA	1	
R 02	57.02.5102		1	
R 03	57.02.5101	100,	1	
L 01	62.01.0115	L Breitbanddrossel	1	

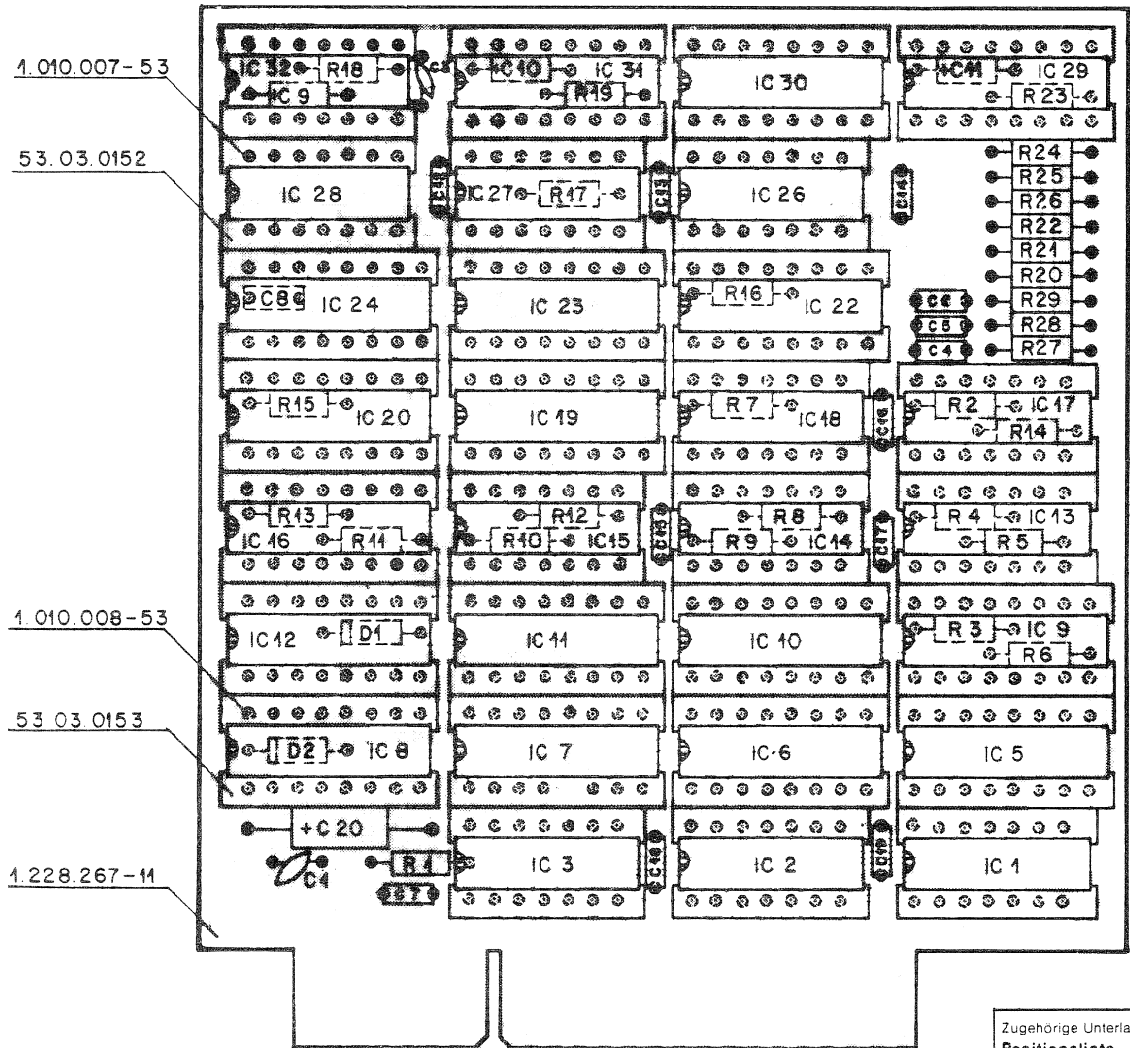
Aenderungen	①	②	③	④	⑤
<b>STUDER</b> REGENSDORF ZÜRICH	<b><u>Positionenliste</u></b>			Erstellt: <i>WA.</i>	
	Locator Interconnector			Geprüft: <i>10.9.73 Kö</i>	
				Blatt: 1 Blätter: 1	
Kopie für:		Ersatz für:		1.228.266	
		Ersetzt durch:			

Zugehörige Unterlagen	Freisstellnummer	17.8.72	SI	Index	Datum	Gez.	Gns	Kopie für:	7.228.267	Nummer	Benennung	STUDER REGENSDORF ZÜRICH
<b>SUBTRACTOR - BOARD</b>												



- IC 1, 13, 15 : 7486
- IC 2, 44 : 7427
- IC 3 : 7404
- IC 5, 6, 7, 8, 11, 12 : 7483
- IC 9, 10, 16 : 74185
- IC 17 : 7425
- IC 48 : 7451
- IC 49 : 74157
- IC 20, 24 : 9324
- IC 22, 23, 30, 31 : 7485
- IC 26, 28 : 7490
- IC 27 : 9306
- IC 29 : HPROM
- IC 32 : 8206 \*
- IC 32 : 7414





	Erste	Letzte	Fehlt
C	1	20	2
IC	1	32	4, 21, 25
D	1	2	—
R	1	29	—

Zugehörige Unterlagen: Positionliste 1.228.267 Abbielliste 8.228.267	Freimasttoleranz:	Maßstab 2:1	Ausgabe 20.8.73 Ho AF 0 Datum Gez Gepr Ges Index
Ersatz für:	Ersetzt durch:	Kopie für:	
<b>STUDER</b> REGENSDORF ZÜRICH	Benennung <b>Subtractor board</b>	Nummer <b>1.228.267</b>	

Pos.	Bauteil No.	Bezeichnung	Stk.	Bemerkung	
C 01	59.32.1102	C 1 N, 10%, 500 V, KER	1		
C 02					
C 03	59.32.0101	100 P, 20%, 500 V, KER	1		
C 04	59.99.0181	1C N, 80%, 25 V, KER	1		
C 05	59.99.0181	10 N, 80%, 25 V, KER	1		
C 06	59.99.0181	10 N, 80%, 25 V, KER	1		
C 07	59.99.0181	10 N, 80%, 25 V, KER	1		
C 08	59.99.0181	10 N, 80%, 25 V, KER	1		
C 09	59.99.0203	3.3 U, 20%, 10 V, TA	1		
C 10	59.99.0203	3.3 U, 20%, 10 V, TA	1		
C 11	59.99.0203	3.3 U, 20%, 10 V, TA	1		
C 12	59.99.0181	10 N, 80%, 25 V, KER	1		
C 13	59.99.0181	10 N, 80%, 25 V, KER	1		
C 14	59.99.0181	10 N, 80%, 25 V, KER	1		
C 15	59.99.0181	10 N, 80%, 25 V, KER	1		
C 16	59.99.0181	10 N, 80%, 25 V, KER	1		
C 17	59.99.0181	10 N, 80%, 25 V, KER	1		
C 18	59.99.0181	10 N, 80%, 25 V, KER	1		
C 19	59.99.0181	10 N, 80%, 25 V, KER	1		
C 20	59.99.0202	39 U, 20%, 10 V, KER	1		
D 01	50.04.1107	D 3.3 V, 5%, .4 W, Z	1		
D 02	50.04.1107	D 3.3 V, 5%, .4 W, Z	1		
IC 01	50.05.0130	IC SN 7486 N, TTL	1		
IC 02	50.05.0163	IC SN 7427 N, TTL	1		
IC 03	50.05.0109	IC SN 7404 N, TTL	1		
IC 04					
IC 05	50.05.0165	IC SN 7483 AN, TTL	1		
IC 06	50.05.0165	IC SN 7483 AN, TTL	1		
IC 07	50.05.0165	IC SN 7483 AN, TTL	1		
Aenderungen	①	②	③	④	⑤
STUDER REGENSDORF ZURICH	<b>Positionsliste</b> Subtractor board			Erstellt: 5.9.73 we	
				Geprüft: 5.9.73 KG	
				Blatt: 1	Blätter: 3
Kopie für:		Ersatz für:		1.228.267	
		Ersetzt durch:			



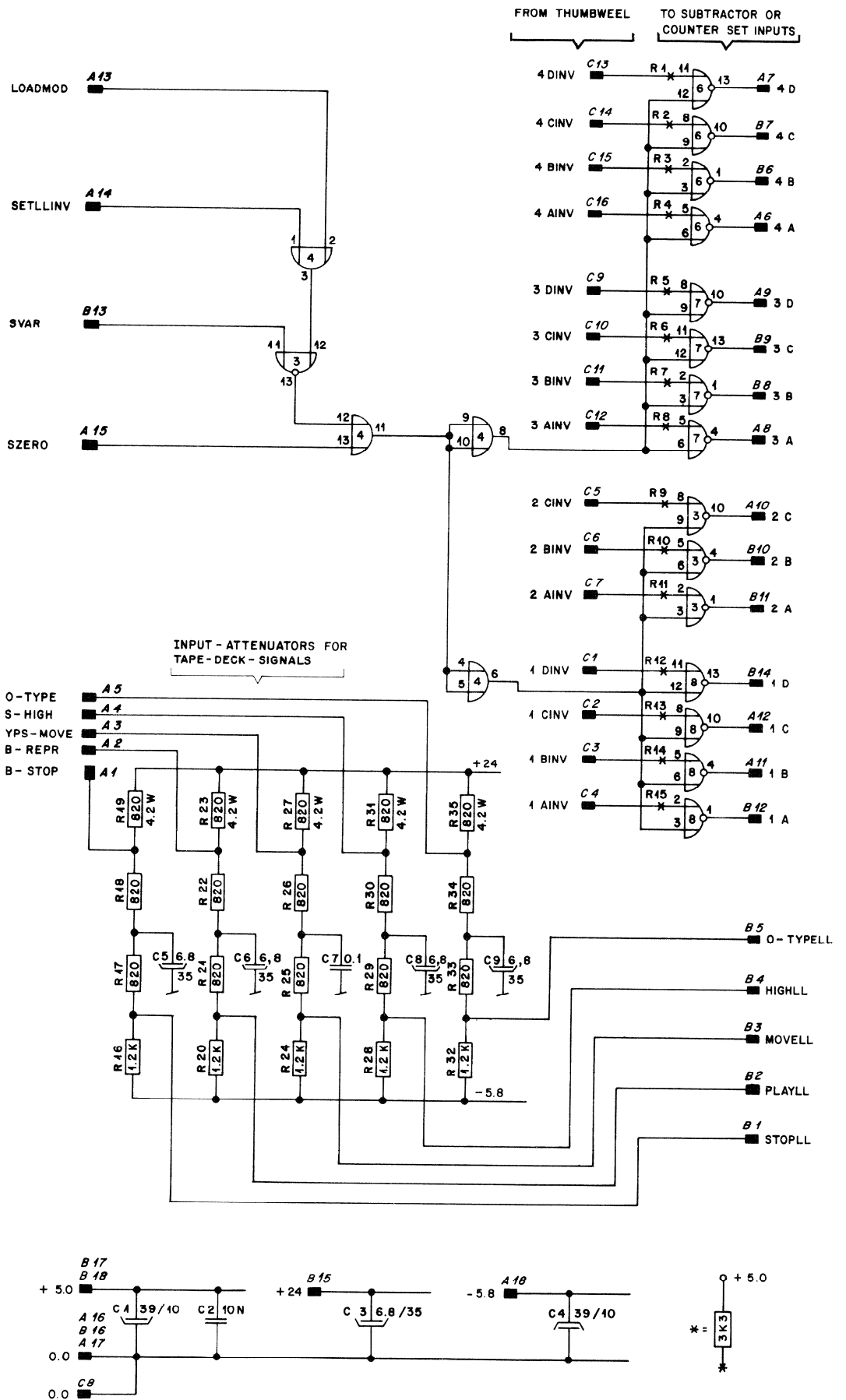
Pos.	Bauteil No.	Bezeichnung	Stk.	Bemerkung
IC 08	50.05.0165	IC SN 7483 AN, TTL	1	
IC 09	50.05.0170	IC SN 74185 N,	1	
IC 10	50.05.0170	IC SN 74185 N,	1	
IC 11	50.05.0165	IC SN 7483 AN,	1	
IC 12	50.05.0165	IC SN 7483 AN,	1	
IC 13	50.05.0130	IC SN 7486 N,	1	
IC 14	50.05.0163	IC SN 7427 N,	1	
IC 15	50.05.0130	IC SN 7486 N,	1	
IC 16	50.05.0170	IC SN 74185 N,	1	
IC 17	50.05.0162	IC SN 7425 N,	1	
IC 18	50.05.0112	IC SN 7451 N,	1	
IC 19	50.05.0169	IC SN 74157 N,	1	
IC 20	50.05.0160	IC 9324	1	
IC 21				
IC 22	50.05.0166	IC SN 7485 N,	1	
IC 23	50.05.0166	IC SN 7485 N,	1	
IC 24	50.05.0160	IC 9324	1	
IC 25				
IC 26	50.05.0167	IC SN 7490 N,	1	
IC 27	50.05.0159	IC 9305	1	
IC 28	50.05.0167	IC SN 7490 N,	1	
IC 29	1.010.150.50	IC PROM	1	
IC 30	50.05.0166	IC SN 7485 N,	1	
IC 31	50.05.0166	IC SN 7485 N,	1	
IC 32	50.05.0161	IC SN 7414 N,	1	
R 01	57.02.5101	R 100, 10%, .25 W, CMA	1	
R 02	57.02.5332	R 3.3 K,	1	
R 03	57.02.5332	R 3.3 K,	1	
R 04	57.02.5332	R 3.3 K,	1	
R 05	57.02.5332	R 3.3 K,	1	
R 06	57.02.5332	R 3.3 K,	1	
R 07	57.02.5332	R 3.3 K,	1	
Aenderungen	①	②	③	④
<b>STUDER</b> REGENSDORF ZÜRICH	<b>Positionsliste</b>			Erstellt: 5.9.73 we
	Subtractor board			Geprüft: 6.9.73 <i>W</i>
				Blatt: 2 Blätter: 3
Kopie für:		Ersatz für:		1.228.267
		Ersetzt durch:		

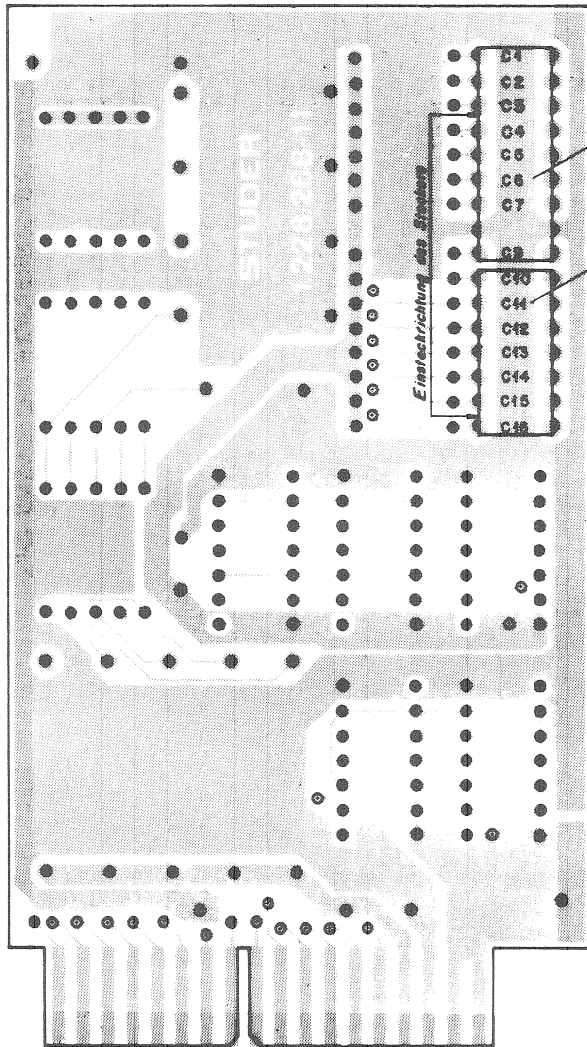
Pos.	Bauteil No.	Bezeichnung	Stk.	Bemerkung
R 08	57.02.5332	R 3.3 K, 10%, .25 W, CMA	1	
R 09	57.02.5332	R 3.3 K,	1	
R 10	57.02.5332	R 3.3 K,	1	
R 11	57.02.5332	R 3.3 K,	1	
R 12	57.02.5332	R 3.3 K,	1	
R 13	57.02.5332	R 3.3 K,	1	
R 14	57.02.5332	R 3.3 K,	1	
R 15	57.02.5332	R 3.3 K,	1	
R 16	57.02.5332	R 3.3 K,	1	
R 17	57.02.5332	R 3.3 K,	1	
R 18	57.02.5331	R 390,	1	
R 19	57.02.5332	R 3.3 K,	1	
R 20	57.02.5332	R 3.3 K,	1	
R 21	57.02.5332	R 3.3 K,	1	
R 22	57.02.5332	R 3.3 K,	1	
R 23	57.02.5332	R 3.3 K,	1	
R 24	57.02.5332	R 3.3 K,	1	
R 25	57.02.5332	R 3.3 K,	1	
R 26	57.02.5332	R 3.3 K,	1	
R 27	57.02.5101	R 100,	1	
R 28	57.02.5101	R 100,	1	
R 29	57.02.5101	R 100,	1	

Aenderungen	①	②	③	④	⑤
<b>STUDER</b> REGENSDORF ZÜRICH	<b>Positionenliste</b>			Erstellt: 5.9.73 we	
	Subtractor board			Geprüft: 6.9.73 KG	
				Blatt: 3      Blätter: 3	
Kopie für:		Ersatz für:		1.228.267	
		Ersetzt durch:			

Ersatz für:	Kopie für:	7. 228. 268	Nummer:
Ersatz für:	Benennung:	STUJER REGENSDORF ZÜRICH	

- IC 4 : 7432
- IC 3 : 7402
- IC 6 : 7402
- IC 7 : 7402
- IC 8 : 7402





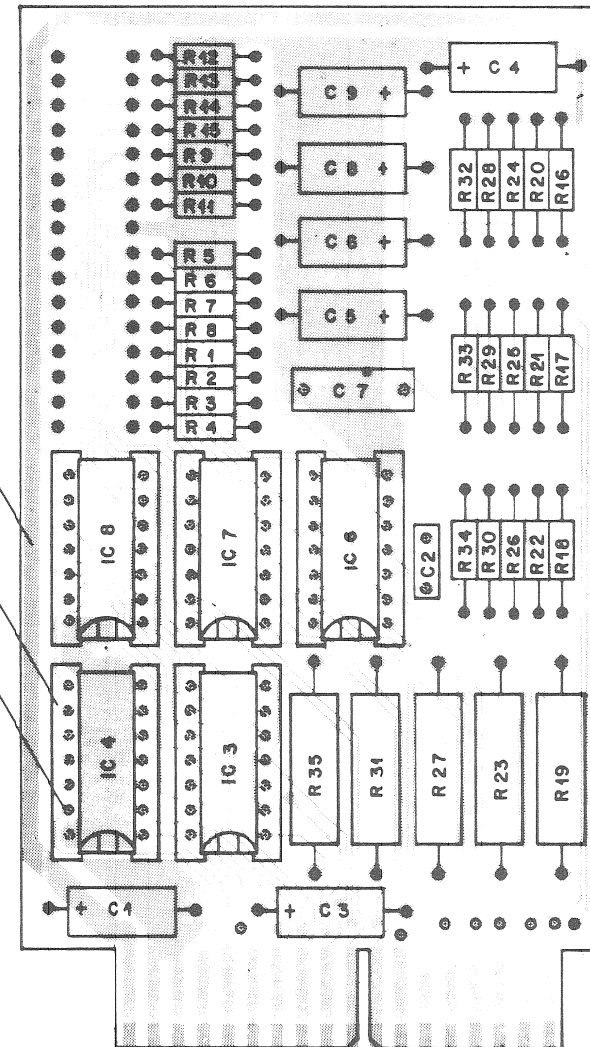
54.01.0212

54.01.0244

1.228.268-11

53.03.0152

1.010.007.53



	Erste	Letzte	Fehlt
C	1	9	—
IC	3	8	5
R	1	35	—

Zugehörige Unterlagen: Positionliste 1.228.268 Abbiegeliste 8.228.268		Freimasstoleranz: +	Maßstab: 2:1	Ausgabe 4.7.73 Ho Datum Gez Gepr Ges Index
Ersatz für:		Ersetzt durch:		Kopie für:
<b>STUDEA</b> REGENSDORF ZÜRICH		Benennung: <b>Preset board</b>		Nummer: <b>1.228.268</b>

Pos.	Bauteil No.	Bezeichnung	Stk.	Bemerkung
C 01	59.99.0202	C 39 U, 20%, 10 V, TA	1	
C 02	59.99.0181	C 10 N, 80%, 25 V, KER	1	
C 03	59.99.0201	C 6.8 U, 20%, 35 V, TA	1	
C 04	59.99.0202	C 39 U, 20%, 10 V,	1	
C 05	59.99.0201	C 6.8 U, 20%, 35 V,	1	
C 06	59.99.0201	C 6.8 U,	1	
C 07	59.05.2104	C .1 U, 10%, 100 V, MPC	1	
C 08	59.99.0201	C 6.8 U, 20%, 35 V, TA	1	
C 09	59.99.0201	C 6.8 U,	1	
IC 01				
IC 02				
IC 03	50.05.0135	IC SN 7402 N TTL	1	
IC 04	50.05.0164	IC SN 7432 N	1	
IC 05				
IC 06	50.05.0135	IC SN 7402 N TTL	1	
IC 07	50.05.0135		1	
IC 08	50.05.0135		1	
R 01	57.02.5332	R 3.3 K, 10%, .25 W, CMA	1	
R 02	57.02.5332		1	
R 03	57.02.5332		1	
R 04	57.02.5332		1	
R 05	57.02.5332		1	
R 06	57.02.5332		1	
R 07	57.02.5332		1	
R 08	57.02.5332		1	
R 09	57.02.5332		1	
R 10	57.02.5332		1	
R 11	57.02.5332		1	
R 12	57.02.5332		1	
Aenderungen	①	②	③	④
<b>STUDER</b> REGENSDORF ZÜRICH	<b>Positionenliste</b>  Preset - board			Erstellt: 5.9.73 we
				Geprüft: 6.9.73 KG
				Blatt: 1 Blätter: 2
Kopie für:	Ersatz für:			1.228.268
	Ersetzt durch:			

Pos.	Bauteil No.	Bezeichnung	Stk.	Bemerkung
R 13	57.02.5332	R 3.3 K, 10%, .25 W, CMA	1	
R 14	57.02.5332		1	
R 15	57.02.5332		1	
R 16	57.02.5122	1.2 K,	1	
R 17	57.02.5821	820,	1	
R 18	57.02.5821		1	
R 19	57.56.4821	820, 4.2 W, DR	1	
R 20	57.02.5122	1.2 K, .25 W, CMA	1	
R 21	57.02.5821	820,	1	
R 22	57.02.5821		1	
R 23	57.56.4821	820, 4.2 W, DR	1	
R 24	57.02.5122	1.2 K, .25 W, CMA	1	
R 25	57.02.5821	820,	1	
R 26	57.02.5821		1	
R 27	57.56.4821	820, 4.2 W, DR	1	
R 28	57.02.5122	1.2 K, .25 W, CMA	1	
R 29	57.02.5821	820,	1	
R 30	57.02.5821		1	
R 31	57.56.4821	820, 4.2 W, DR	1	
R 32	57.02.5122	1.2 K, .25 W, CMA	1	
R 33	57.02.5821	820,	1	
R 34	57.02.5821		1	
R 35	57.56.4821	820, 4.2 W, DR	1	

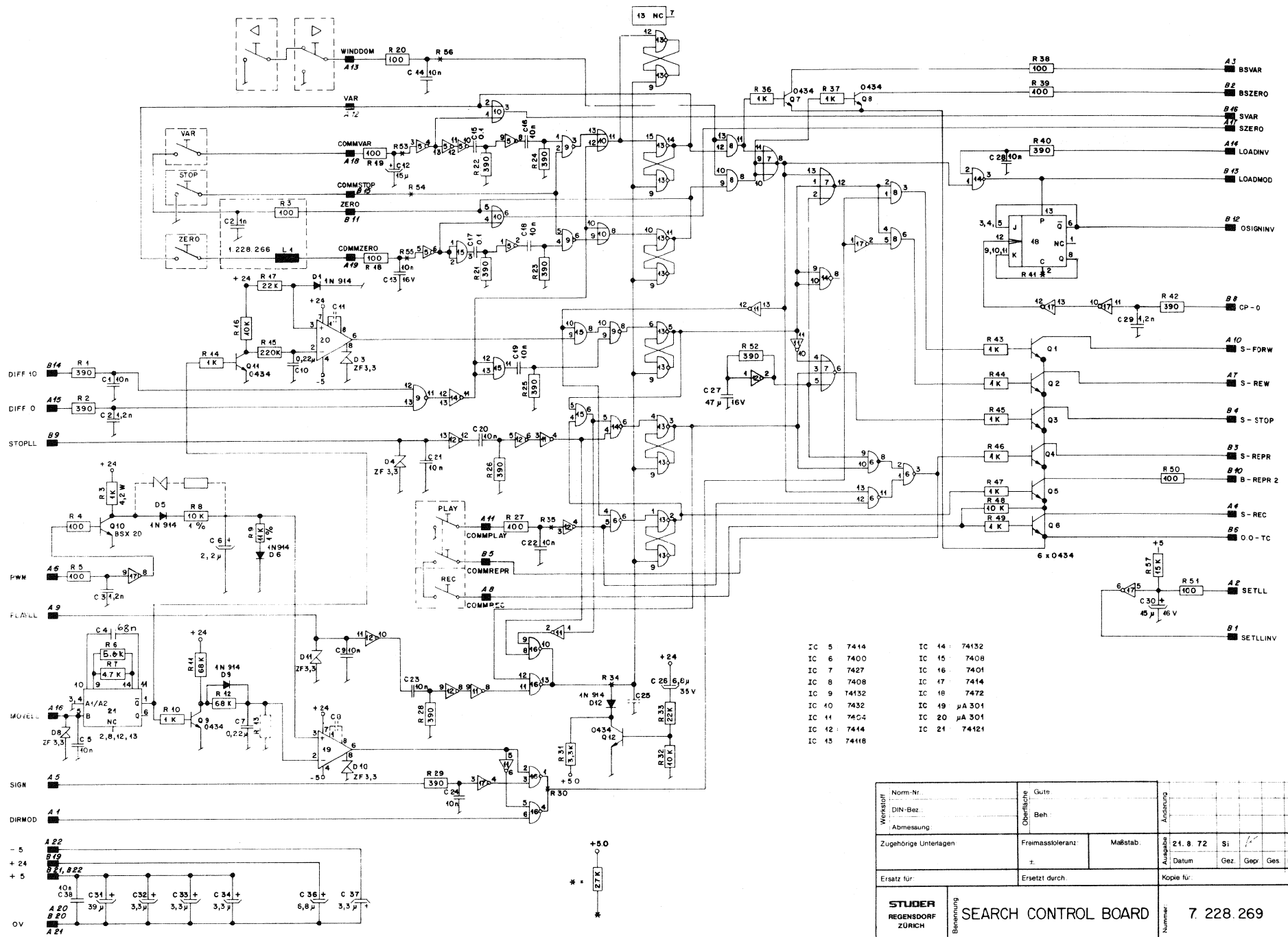
Aenderungen	①	②	③	④	⑤
<b>STUDER</b>	<b><u>Positionliste</u></b>			Erstellt: 5.9.73 we	
REGENSDORF	Preset - board			Geprüft: 10.9.73 VGF	
ZÜRICH				Blatt: 2      Blätter: 2	
Kopie für:		Ersatz für:		1.228.268	
		Ersetzt durch:			

Pos.	Bauteil No.	Bezeichnung	Stk.	Bemerkung
C 01	59.99.0202	C 39 U, 20%, 10 V, TA	1	
C 02	59.99.0181	C 10 N, 80%, 25 V, KER	1	
C 03	59.99.0201	C 6.8 U, 20%, 35 V, TA	1	
C 04	59.99.0202	C 39 U, 20%, 10 V,	1	
C 05	59.99.0201	C 6.8 U, 20%, 35 V,	1	
C 06	59.99.0201	C 6.8 U,	1	
C 07	59.05.2104	C .1 U, 10%, 100 V, MPC	1	
C 08	59.99.0201	C 6.8 U, 20%, 35 V, TA	1	
C 09	59.99.0201	C 6.8 U,	1	
IC 01				
IC 02				
IC 03	50.05.0135	IC SN 7402 N TTL	1	
IC 04	50.05.0164	IC SN 7432 N	1	
IC 05				
IC 06	50.05.0135	IC SN 7402 N TTL	1	
IC 07	50.05.0135		1	
IC 08	50.05.0135		1	
R 01	57.02.5332	R 3.3 K, 10%, .25 W, CMA	1	
R 02	57.02.5332		1	
R 03	57.02.5332		1	
R 04	57.02.5332		1	
R 05	57.02.5332		1	
R 06	57.02.5332		1	
R 07	57.02.5332		1	
R 08	57.02.5332		1	
R 09	57.02.5332		1	
R 10	57.02.5332		1	
R 11	57.02.5332		1	
R 12	57.02.5332		1	
Aenderungen ① ② ③ ④ ⑤				
STUDER REGENSDORF ZÜRICH	<u>Positionsliste</u> Preset - board		Erstellt: 5.9.73 we	
			Geprüft: 6.9.73 KF	
			Blatt: 1	Blätter: 2
Kopie für:		Ersatz für:		1.228.268
		Ersetzt durch:		

Pos.	Bauteil No.	Bezeichnung	Stk.	Bemerkung
R 13	57.02.5332	R 3.3 K, 10%, .25 W, CMA	1	
R 14	57.02.5332		1	
R 15	57.02.5332		1	
R 16	57.02.5122	1.2 K,	1	
R 17	57.02.5821	820,	1	
R 18	57.02.5821		1	
R 19	57.56.4821	820, 4.2 W, DR	1	
R 20	57.02.5122	1.2 K, .25 W, CMA	1	
R 21	57.02.5821	820,	1	
R 22	57.02.5821		1	
R 23	57.56.4821	820, 4.2 W, DR	1	
R 24	57.02.5122	1.2 K, .25 W, CMA	1	
R 25	57.02.5821	820,	1	
R 26	57.02.5821		1	
R 27	57.56.4821	820, 4.2 W, DR	1	
R 28	57.02.5122	1.2 K, .25 W, CMA	1	
R 29	57.02.5821	820,	1	
R 30	57.02.5821		1	
R 31	57.56.4821	820, 4.2 W, DR	1	
R 32	57.02.5122	1.2 K, .25 W, CMA	1	
R 33	57.02.5821	820,	1	
R 34	57.02.5821		1	
R 35	57.56.4821	820, 4.2 W, DR	1	

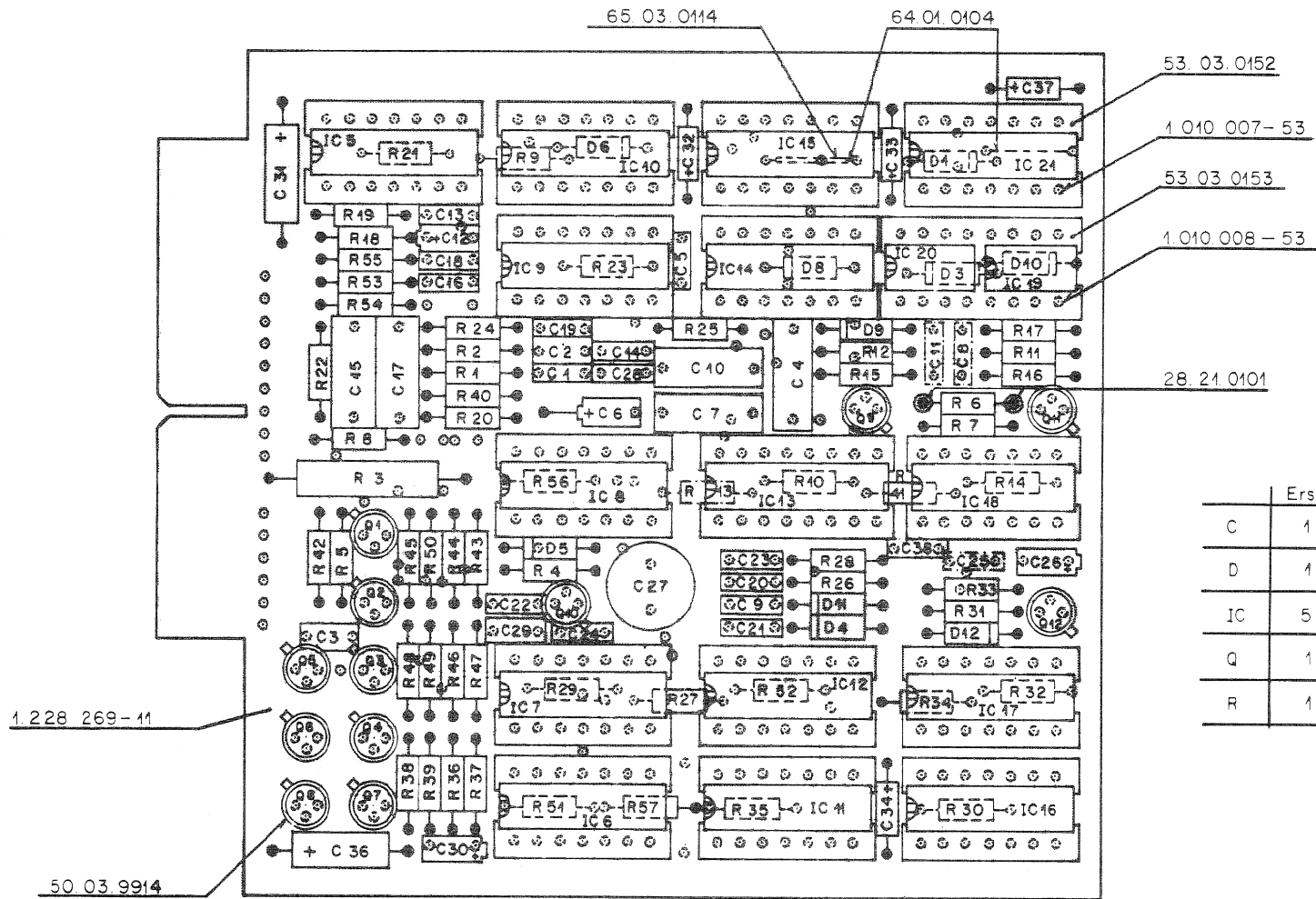
Aenderungen	①	②	③	④	⑤
<b>STUDER</b> REGENDSDORF ZÜRICH	<u>Positionsliste</u> Preset - board			Erstellt: 5.9.73 we	
				Geprüft: 10.9.73 <i>KG</i>	
				Blatt: 2      Blätter: 2	
Kopie für:		Ersatz für:		1.228.268	
		Ersetzt durch:			





- IC 5 7414
- IC 6 7400
- IC 7 7427
- IC 8 7408
- IC 9 7414
- IC 10 7432
- IC 11 7404
- IC 12 7414
- IC 13 7416
- IC 14 74132
- IC 15 7408
- IC 16 7401
- IC 17 7414
- IC 18 7472
- IC 19  $\mu A 301$
- IC 20  $\mu A 301$
- IC 21 74121

Norm-Nr.	Gute		3	
Werkstoff	Oberfläche		2	
DIN-Bez.	Beh.		1	
Abmessung				
Zugehörige Unterlagen	Freimasstoleranz:	Maßstab:	Ausschnitt	21.8.72
	±		Datum	Gez. Gepr. Ges. Inde
Ersetzt für:	Ersetzt durch:	Kopie für:		
<b>STUDER</b> REGENSDORF ZÜRICH		<b>SEARCH CONTROL BOARD</b>		Nummer 7.228.269



	Erste	Letzte	Fehlt
C	1	38	8,11,25,35
D	1	12	7
IC	5	21	—
Q	1	12	—
R	1	57	13

Zugehörige Unterlagen Pos. Liste 4. 228. 269 Abbiegeliste 8. 228. 269		Freimasstoleranz.	Maßstab. . 2 : 1	Ausgabe 17. 9. 73 Hc <i>Ko</i>
Ersatz für		Ersetzt durch		Kopie für
STUDER REGENSDORF ZÜRICH		Benennung Search control board		Nummer 1. 228. 269

Pos.	Bauteil No.	Bezeichnung	Stk.	Bemerkung
C 01	59.99.0181	C 10 N, 80%, 25 V KER	1	
C 02	59.32.1122	1.2 N, 10%, 500 V,	1	
C 03	59.32.1122		1	
C 04	59.02.2154	.15 U, 5%, 100 V, MPC	1	
C 05	59.99.0181	10 N, 80%, 25 V, KER	1	
C 06	59.10.5229	2.2 U, 20%, 20 V, TA	1	
C 07	59.31.6224	.22 U, 10%, 100 V, MPETP	1	
C 08				
C 09	59.99.0181	10 N, 80%, 25 V, KER	1	
C 10	59.31.6224	.22U, 10%, 100 V, MPETP	1	
C 11				
C 12	59.10.4150	15 U, 20%, 16 V, TA	1	
C 13	59.99.0181	10 N, 80%, 25 V, KER	1	
C 14	59.99.0181		1	
C 15	59.05.2104	.1 U, 10%, 100 V, MPC	1	
C 16	59.99.0181	10 N, 80%, 25 V, KER	1	
C 17	59.05.2104	.1 U, 10%, 100 V, MPC	1	
C 18	59.99.0181	10 N, 80%, 25 V, KER	1	
C 19	59.99.0181		1	
C 20	59.99.0181		1	
C 21	59.99.0181		1	
C 22	59.99.0181		1	
C 23	59.99.0181		1	
C 24	59.99.0181		1	
C 25				
C 26	59.10.7689	6.8 U, 20%, 35 V, TA	1	
C 27	59.99.0401	47 U, 100%, 16 V, EL	1	
C 28	59.99.0181	10 N, 80%, 25 V, KER	1	
C 29	59.32.1122	1.2 N, 10%, 500 V, KER	1	
C 30	59.10.4150	15 U, 20%, 16 V, TA	1	
C 31	59.99.0202	39 U, 20%, 10 V,	1	
C 32	59.99.0203	3.3 U, 20%, 10 V,	1	
C 33	59.99.0203		1	
C 34	59.99.0203		1	
C 35				

Aenderungen	①	②	③	④	⑤
<b>STUDER</b> REGENSDORF ZÜRICH	<b>Positionsliste</b>			Erstellt: 7.9.73 we	
	Search control board			Geprüft: 10.9.73 <i>KG</i>	
				Blatt: 1 Blätter: 5	
Kopie für:		Ersatz für:		1.228.269	
		Ersetzt durch:			

Pos.	Bauteil No.	Bezeichnung	Stk.	Bemerkung
C 36	59.99.0201	C 6.8 U, 20%, 35 V, TA	1	
C 37	59.99.0203	3.3 U, 20%, 10 V,	1	
C 38	59.99.0181	10 N, 80%, 25 V, KER	1	
D 01	50.04.0102	D 1 N 914, SI	1	
D 02				
D 03	50.04.1107	3.3 V, 5%, .40 W, Z	1	
D 04	50.04.1107		1	
D 05	50.04.0102	1 N 914, SI	1	
D 06	50.04.0102		1	
D 07				
D 08	50.04.1107	3.3 V, 5%, .40 W, Z	1	
D 09	50.04.0102	1 N 914 SI	1	
D 10	50.04.1107	3.3 V, 5% .40 W, Z	1	
D 11	50.04.1107		1	
D 12	50.04.0102	1 N 914, SI	1	
IC 01				
IC 02				
IC 03				
IC 04				
IC 05	50.05.0161	IC SN 7414 N TTL	1	
IC 06	50.05.0108	SN 7400 N	1	
IC 07	50.05.0163	SN 7427 N	1	
IC 08	50.05.0154	SN 7408 N	1	
IC 09	50.05.0155	SN 74132 N	1	
IC 10	50.05.0164	SN 7432 N	1	
IC 11	50.05.0109	SN 7404 N	1	
IC 12	50.05.0161	SN 7414 N	1	
IC 13	50.05.0168	SN 74118 N	1	
IC 14	50.05.0155	SN 74132 N	1	
IC 15	50.05.0154	SN 7408 N	1	
IC 16	50.05.0136	SN 7401 N	1	

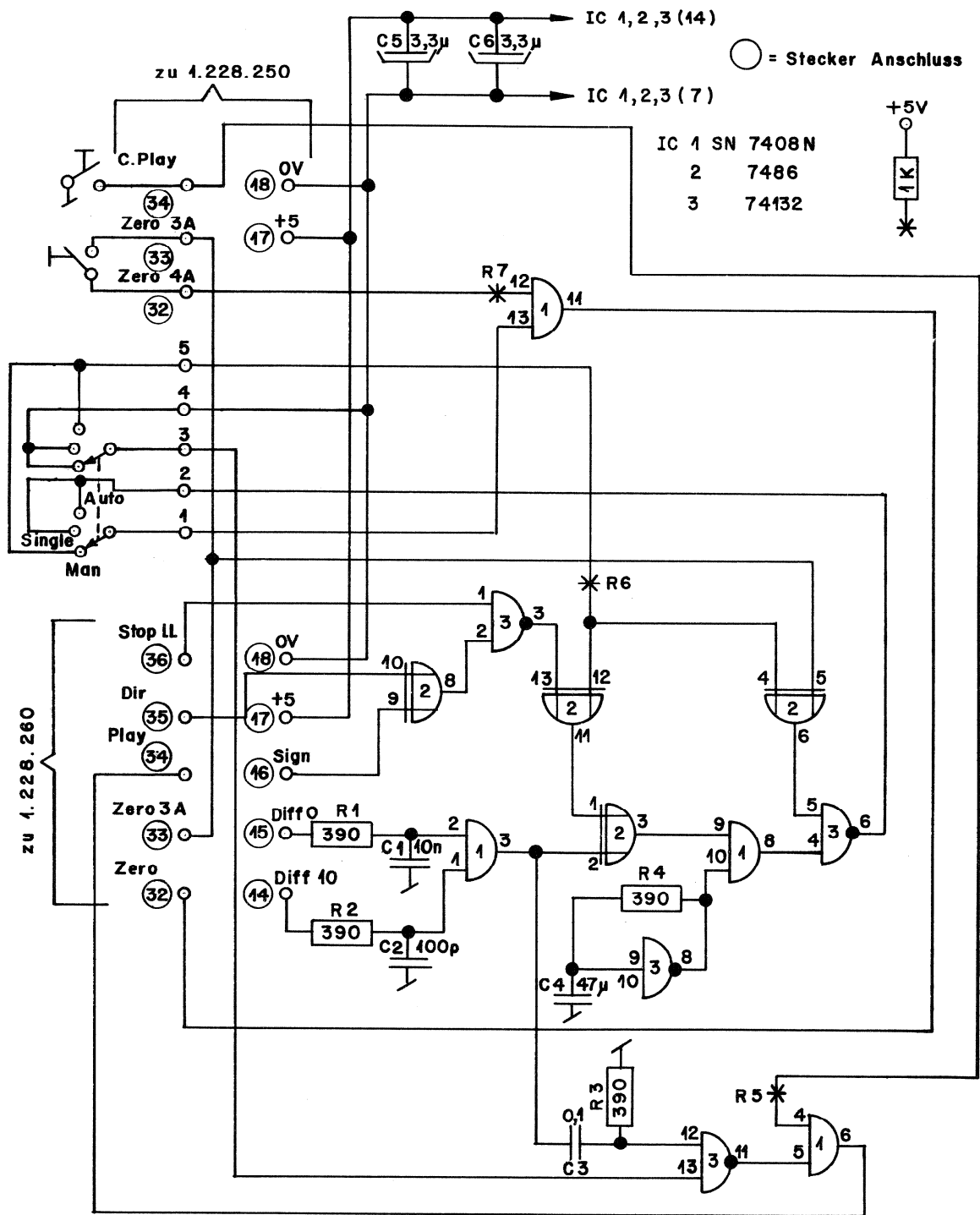
Aenderungen	①	②	③	④	⑤
STUDER REGENSDORF ZÜRICH	<b>Positionsliste</b>			Erstellt: 7.9.73 we	
	Search control board			Geprüft: 10.9.73 K5	
				Blatt: 2 Blätter: 5	
Kopie für:		Ersatz für:		1.228.269	
		Ersetzt durch:			

Pos.	Bauteil No.	Bezeichnung	Sik.	Bemerkung
IC 17	50.05.0161	IC SN 7414 N TTL	1	
IC 18	50.05.0129	SN 7472 N	1	
IC 19	50.05.0156	UA 301 LIN	1	
IC 20	50.05.0156		1	
IC 21	50.05.0153	SN 74121 N TTL	1	
Q 01	50.03.0434	Q 0434 NPN	1	
Q 02	50.03.0434		1	
Q 03	50.03.0434		1	
Q 04	50.03.0434		1	
Q 05	50.03.0434		1	
Q 06	50.03.0434		1	
Q 07	50.03.0434		1	
Q 08	50.03.0434		1	
Q 09	50.03.0434		1	
Q 10	50.03.0483	BSX 20 NPN	1	
Q 11	50.03.0434	0434 NPN	1	
Q 12	50.03.0434	0434 NPN	1	
R 01	57.02.5391	R 390, 10%, .25 W, CMA	1	
R 02	57.02.5391		1	
R 03	57.56.4102	1 K, 4.2 W, DR	1	
R 04	57.02.5101	100, .25 W, CMA	1	
R 05	57.02.5101	100,	1	
R 06		Abgleichwert	1	
R 07	57.02.5472	4.7 K, 10%, .25 W, CMA	1	
R 08	57.39.1002	10 K, 1%, .35 W, MF	1	
R 09	57.39.1102	11 K, 1%, .35 W,	1	
R 10	57.02.5102	1 K, 10%, .25 W, CMA	1	
R 11	57.02.5683	68 K,	1	
R 12	57.02.5683		1	
R 13				
R 14	57.02.5102	1 K, 10%, .25 W, CMA	1	
Aenderungen ① ② ③ ④ ⑤				
STUDER REGENSDORF ZÜRICH	<b>Positionsliste</b>			Erstellt: 7.9.73 we
	Search control board			Geprüft: 10.9.73 <i>WJ</i>
				Blatt: 3 Blätter: 5
Kopie für:		Ersatz für:		1.228.269
		Ersetzt durch:		

Pos.	Bauteil No.	Bezeichnung	Stk.	Bemerkung	
R 15	57.02.5224	R 220 K, 10%, .25 W, CMA	1		
R 16	57.02.5103	10 K, 10%, .25 W,	1		
R 17	57.02.5223	22 K,	1		
R 18	57.02.5101	100,	1		
R 19	57.02.5101		1		
R 20	57.02.5101		1		
R 21	57.02.5391	390,	1		
R 22	57.02.5391		1		
R 23	57.02.5391		1		
R 24	57.02.5391		1		
R 25	57.02.5391		1		
R 26	57.02.5391		1		
R 27	57.02.5101	100,	1		
R 28	57.02.5391	390,	1		
R 29	57.02.5391		1		
R 30	57.02.5272	2.7 K,	1		
R 31	57.02.5332	3.3 K,	1		
R 32	57.02.5103	10 K,	1		
R 33	57.02.5223	22 K,	1		
R 34	57.02.5272	2.7 K,	1		
R 35	57.02.5272		1		
R 36	57.02.5102	1 K,	1		
R 37	57.02.5102		1		
R 38	57.02.5101	100,	1		
R 39	57.02.5101		1		
R 40	57.02.5391	390,	1		
R 41	57.02.5272	2.7 K,	1		
R 42	57.02.5391	390,	1		
R 43	57.02.5102	1 K,	1		
R 44	57.02.5102		1		
R 45	57.02.5102		1		
R 46	57.02.5102		1		
R 47	57.02.5102		1		
R 48	57.02.5103	10 K,	1		
R 49	57.02.5102	1 K,	1		
Aenderungen	①	②	③	④	⑤
<b>STUDER</b> REGENSDORF ZÜRICH	<b>Positionsliste</b>			Erstellt: 7.9.73 we	
	Search control board			Geprüft: 10.9.73 K5	
				Blatt: 4 Blätter: 5	
Kopie für:		Ersatz für:		1.228.269	
		Ersetzt durch:			

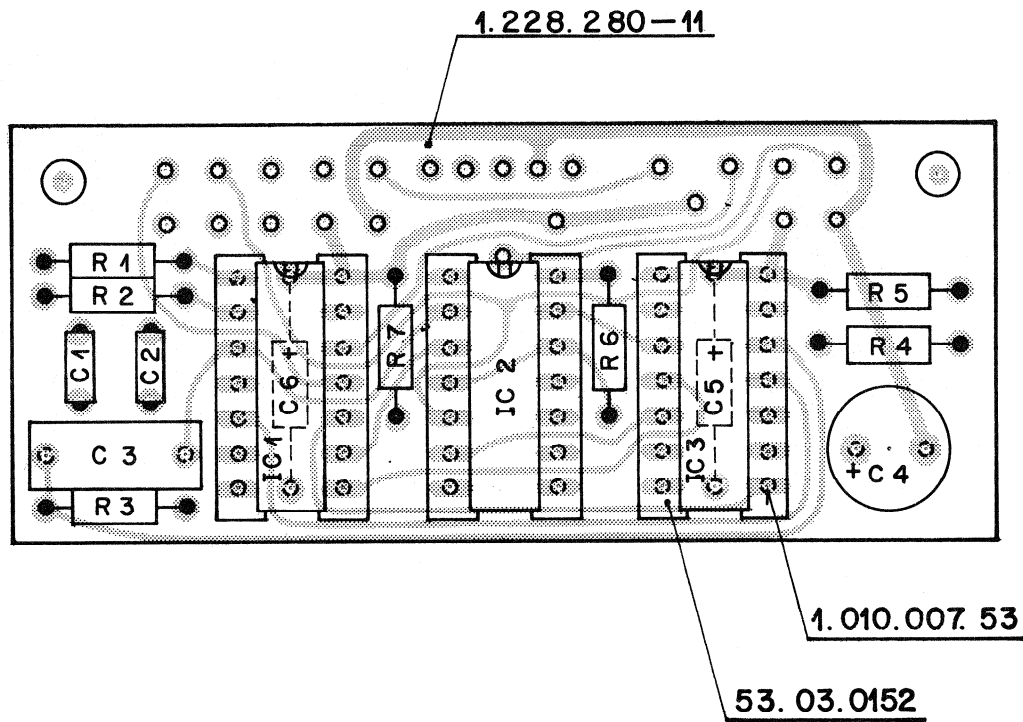
Pos.	Bauteil No.	Bezeichnung	Stk.	Bemerkung
R 50	57.02.5101	R 100, 10%, .25 W, CMA	1	
R 51	57.02.5101		1	
R 52	57.02.5391	390,	1	
R 53	57.02.5272	2.7 K,	1	
R 54	57.02.5272		1	
R 55	57.02.5272		1	
R 56	57.02.5272		1	
R 57	57.02.5153	15 K,	1	

Aenderungen	①	②	③	④	⑤
STUDER REGENSDORF ZÜRICH	<u>Positionsliste</u> Search control board			Erstellt: 7.9.73 we	
				Geprüft: 10.9.73 KG	
Kopie für:			Ersatz für:		
			Ersetzt durch:		
					1.228.269



Werkstoff	Norm-Nr.:	Oberfläche	Güte:						③
	DIN-Bez.:		Beh.:						②
	Abmessung:								①
Zugehörige Unterlagen:		Freimasstoleranz:	Maßstab:	Ausgabe	4.10.73	Ho	Kö		①
Ersatz für:		Ersetzt durch:		Datum	Gez.	Gepr.	Ges.	Index	①
Ersatz für:		Ersetzt durch:		Kopie für:					
<b>STUDER</b> REGENSDORF ZÜRICH		Benennung: <b>Manual - Auto - Control</b>			Nummer: <b>7.228.280</b>				



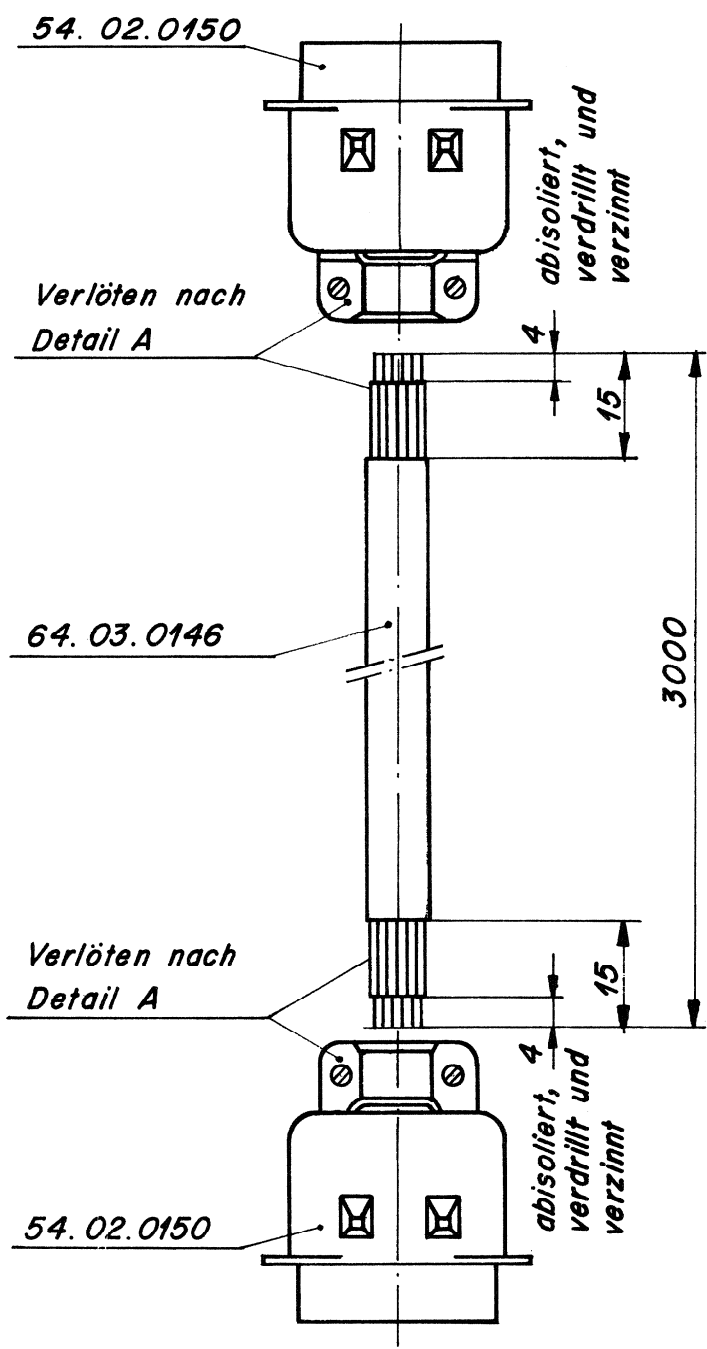


	Erste	Letzte	Fehlt
C	1	6	—
IC	1	3	—
R	1	7	—

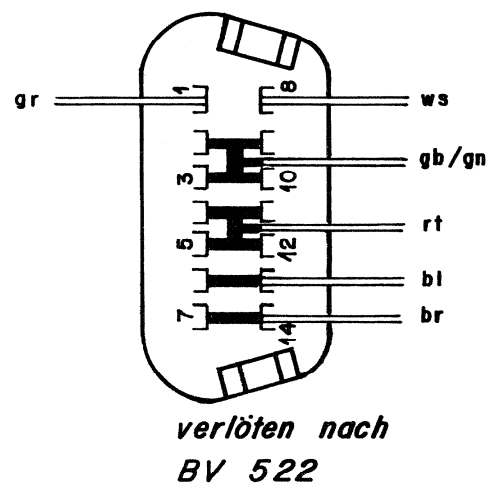
Werkstoff	Norm-Nr.:	Oberfläche	Güte:		Änderung					③
	DIN-Bez.:		Beh.:							②
	Abmessung:					20.3.74	Si	<i>Va</i>		
Zugehörige Unterlagen:		Freimasstoleranz:	Maßstab:	Ausgabe		20.9.73	Ho	<i>Va</i>		①
<b>Positionsliste</b> 1. 228.280	±					2 : 1	Datum	Gez.	Gepr.	Ges.
Ersatz für:		Ersetzt durch:		Kopie für:						
<b>STUDER</b> REGENSDORF ZÜRICH		Benennung:				<b>Manual - Auto - Control</b>				
						<b>1. 228. 280</b>				

Pos.	Bauteil No.	Bezeichnung	Stk.	Bemerkung
C 01	59.99.0181	C 10 N, 80%, 25 V, KER	1	
C 02	59.32.0101	C 100 P, 20%, 500 V,	1	
C 03	59.05.2104	C .1 U, 10%, 100 V, MPC	1	
C 04	59.99.0401	C 47 U, 100%, 16 V, El, Bip	1	
C 05	59.99.0203	C 3.3 U, 20%, 10 V, TA	1	
C 06	59.99.0203		1	
IC 01	50.05.0154	IC SN 7408 N TTL	1	
IC 02	50.05.0130	IC SN 7486 N	1	
IC 03	50.05.0155	IC SN 74132 N	1	
R 01	57.02.5391	R 390, 10%, .25 W, CMA	1	
R 02	57.02.5391		1	
R 03	57.02.5391		1	
R 04	57.02.5391		1	
R 05	57.02.5102	R 1 K,	1	
R 06	57.02.5102		1	
R 07	57.02.5102		1	

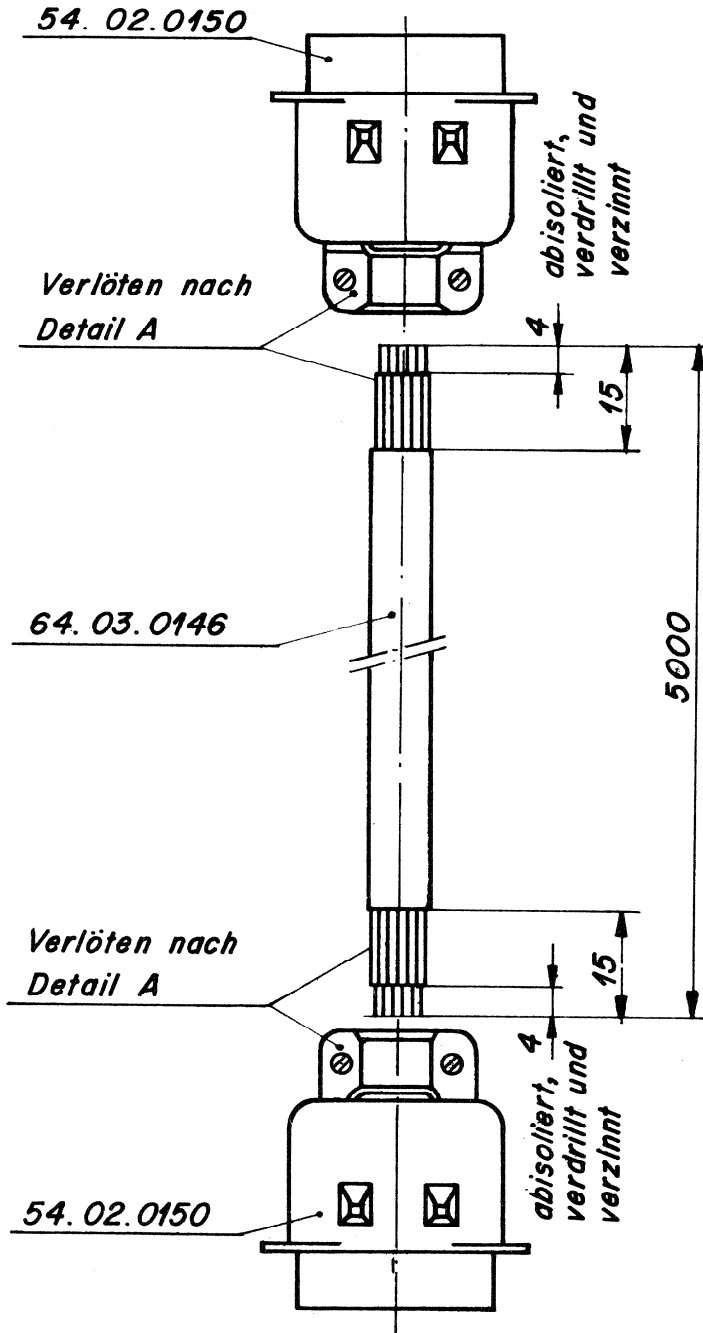
Aenderungen	①	②	③	④	⑤
<b>STUDER</b> REGENSDORF ZÜRICH	<b><u>Positionenliste</u></b> Manual Auto Control			Erstellt: 11.9.73 we	
				Geprüft: <i>AA. 2.73 KG</i>	
				Blatt: 1 Blätter: 1	
Kopie für:		Ersatz für:		1.228.280	
		Ersetzt durch:			



*Detail A*  
M 2:1

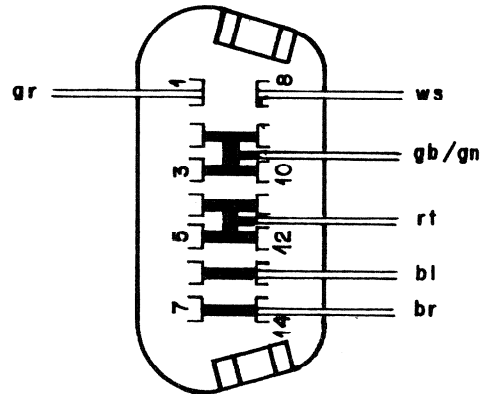


Werkstoff	Norm-Nr.:	Oberfläche	Güte:	Änderung					③	
	DIN-Bez.:		Beh.:							②
	Abmessung:									①
Zugehörige Unterlagen:		Freimasstoleranz:	Maßstab:	Ausgabe	5.9.73	Ho	Kö		①	
		±	1:1	Datum	Gez.	Gepr.	Ges.	Index		
Ersatz für:		Ersetzt durch:		Kopie für:						
<b>STUDER</b> REGENDORF ZÜRICH		Benennung: <b>Speisekabel 3 m</b>		Nummer: <b>1.228.271-00</b>						



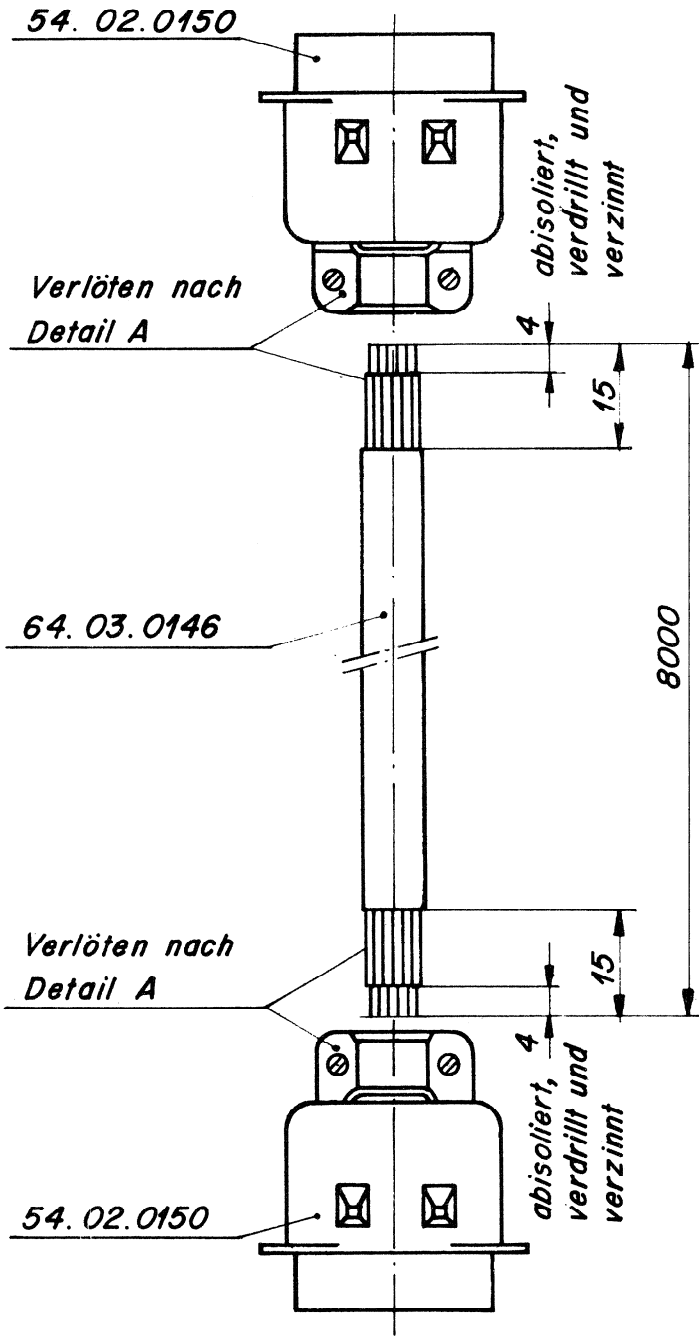
*Detail A*

M 2:1

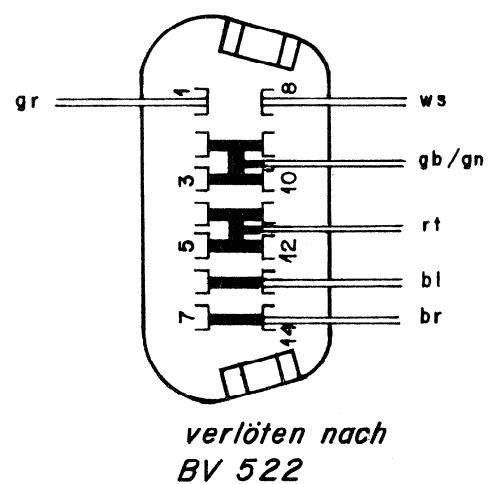


verlöten nach  
BV 522

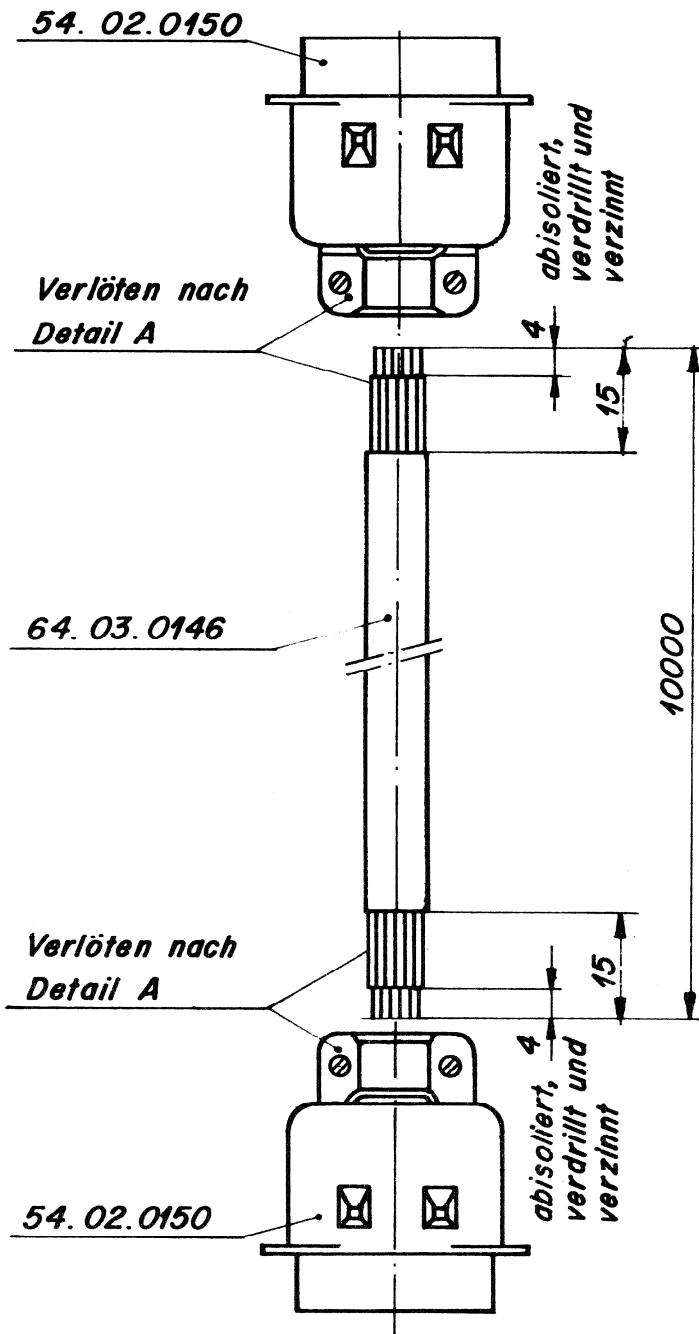
Werkstoff	Norm-Nr.:	Oberfläche	Güte:	Änderung					③	
	DIN-Bez.:		Beh.:							②
	Abmessung:									①
Zugehörige Unterlagen:		Freimasstoleranz:	Maßstab:	Ausgabe	5.9.73	Ho	Kf		④	
		±	1:1	Datum		Gez.	Gepr.	Ges.	Index	
Ersatz für:		Ersetzt durch:		Kopie für:						
<b>STUDER</b> REGENSDORF ZÜRICH		Benennung: <b>Speisekabel 5 m</b>			Nummer: <b>1.228.272-00</b>					



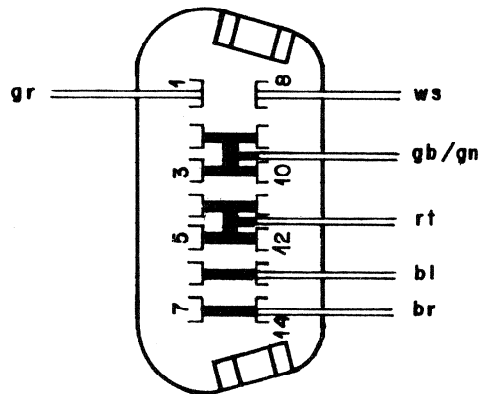
*Detail A*  
M 2:1



Werkstoff	Norm-Nr.:	Oberfläche	Güte:	Änderung						③
	DIN-Bez.:		Beh.:							②
	Abmessung:							①		
Zugehörige Unterlagen:		Freimasstoleranz:	Maßstab:	Ausgabe	5.9.73	Ho	Kf			①
		±	1:1	Datum	Gez.	Gepr.	Ges.	Index		①
Ersatz für:		Ersetzt durch:		Kopie für:						
<b>STUDER</b> REGENDORF ZÜRICH		Benennung: <i>Speisekabel 8 m</i>			Nummer: <i>1.228.273-00</i>					

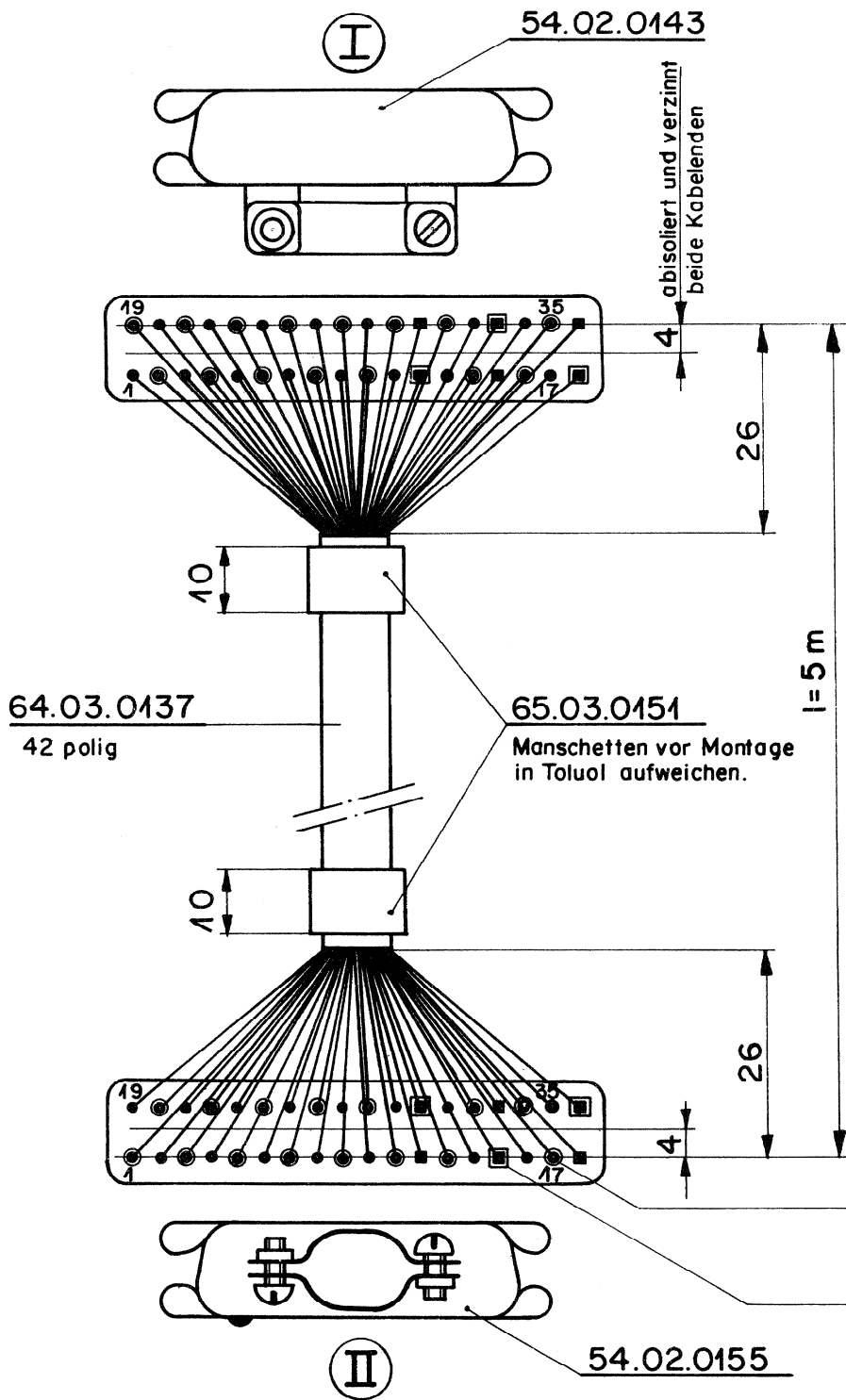


*Detail A*  
M 2:1



verlöten nach  
BV 522

Werkstoff	Norm-Nr.:	Oberfläche	Güte:	Änderung	3			
	DIN-Bez.:		Beh.:			2		
	Abmessung:					1		
Zugehörige Unterlagen:	Freimasstoleranz:	Maßstab:	Ausgabe	5. 9. 73	Ho	Kf	0	
	±	1 : 1	Datum	Gez.	Gepr.	Ges.	Index	
Ersatz für:	Ersetzt durch:	Kopie für:						
<b>STUDER</b> REGENSDORF ZÜRICH	Benennung:	<i>Speisekabel 10m</i>			Nummer:	<i>1.228.274-00</i>		

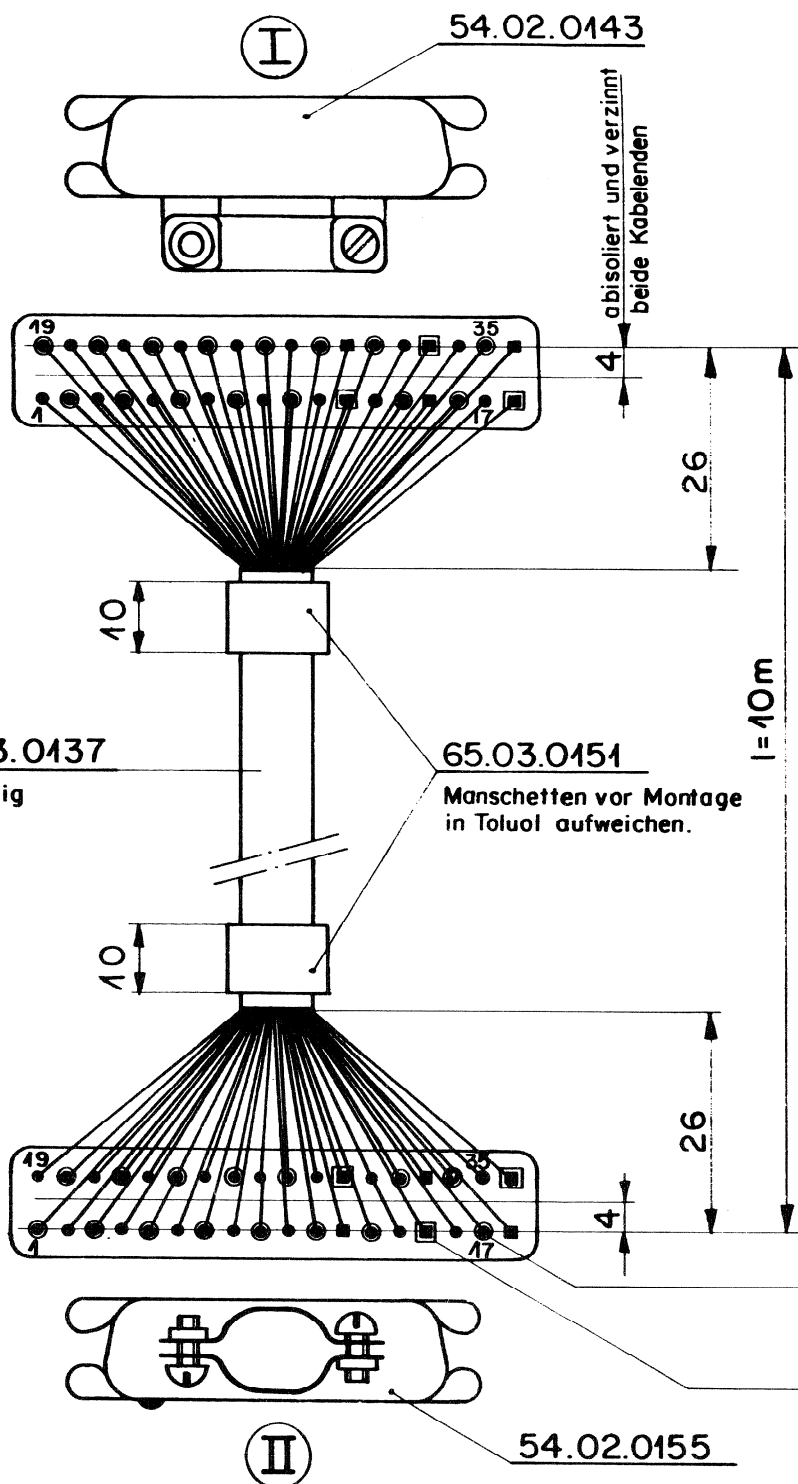


Verdrahtungs-Tabelle		
Farbe	Stecker	
	I	II
Litzenfarbe	1	1
beliebig,	2	2
jedoch immer	3	3
gleiche	.	.
Nummern	.	.
verbinden	.	.
	35	35
	36	36

**Achtung!**  
 Steckerverbindung mit Nr.  
 12,15,18,30,33,36 (■ ■ )  
 werden doppelt geführt

ervés

Werkstoff	Norm-Nr.:	Oberfläche	Güte:	Änderung					(3)	
	DIN-Bez.:		Beh.:							(2)
	Abmessung:									(1)
Zugehörige Unterlagen:		Freimasstoleranz:	Maßstab:	Ausgabe	25.9.72	FW	JK		(0)	
		±		Datum		Gez.	Gepr.	Ges.	Index	
Ersatz für:		Ersetzt durch:		Kopie für:						
<b>STUDER</b> REGENDORF ZÜRICH	Benennung:	<b>Laufwerkfernsteuerungs-</b> <b>kabel 5 m</b>			Nummer:	<b>1.228.102</b>				



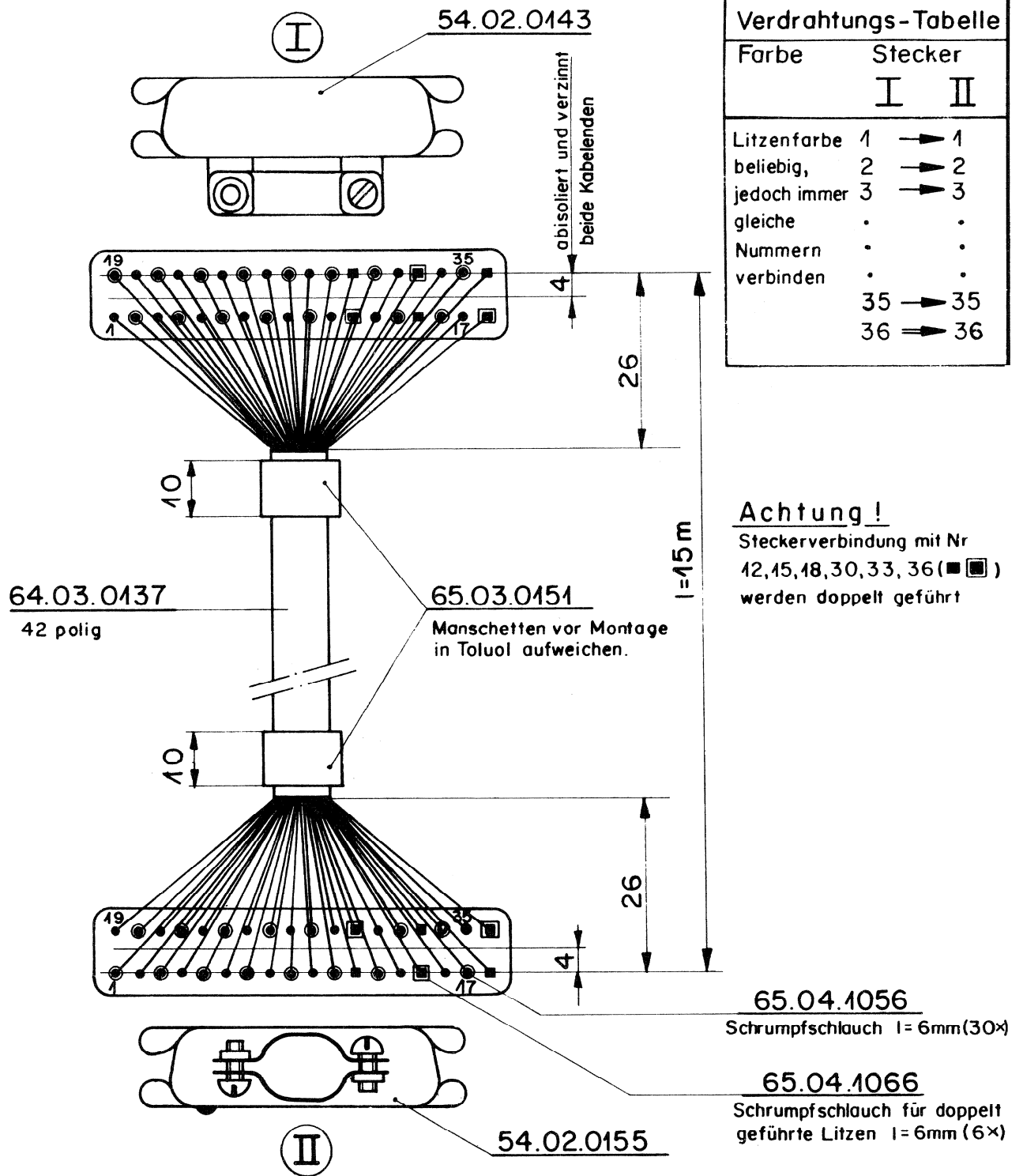
Verdrahtungs-Tabelle			
Farbe	Stecker		
	I	II	
Litzenfarbe	1	→	1
beliebig,	2	→	2
jedoch immer	3	→	3
gleiche	.		.
Nummern	.		.
verbinden	.		.
	35	→	35
	36	→	36

**Achtung!**  
 Steckerverbindung mit Nr.  
 42,45,48,30,33,36 (■ ■ )  
 werden doppelt geführt

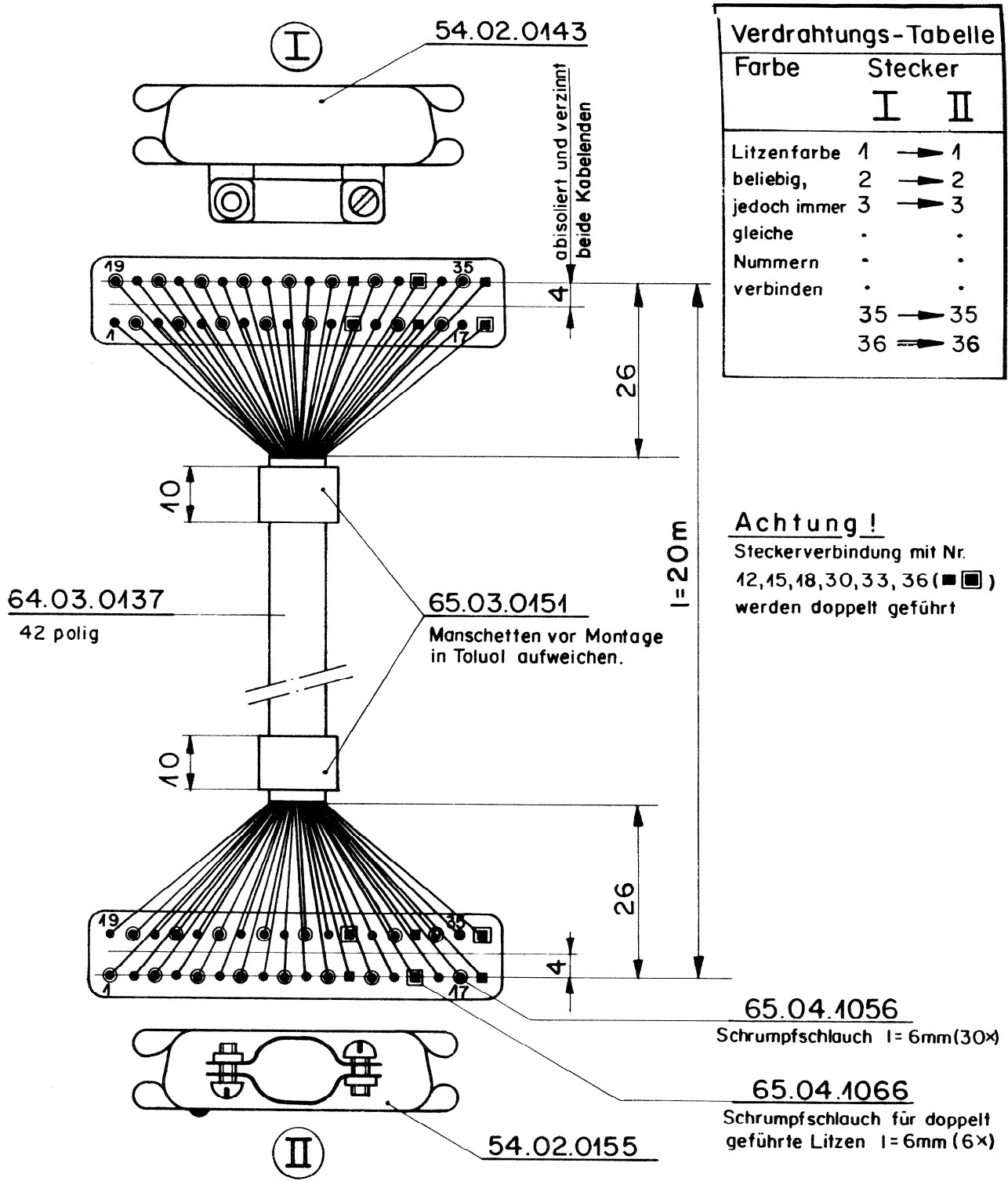
- 65.04.1056 Schrumpfschlauch l=6mm(30x)
- 65.04.1066 Schrumpfschlauch für doppelt geführte Litzen l=6mm(6x)

Werkstoff	Norm-Nr.:	Oberfläche · Güte:		Änderung					③	
	DIN-Bez.:	Beh.:								②
	Abmessung:									①
Zugehörige Unterlagen:		Freimasstoleranz:	Maßstab:	Ausgabe	25.9.72	FW	bc		④	
		+		Datum		Gez.	Gepr.	Ges.	Index	
Ersatz für:		Ersetzt durch:		Kopie für:						
<b>STUDER</b> REGENDORF ZÜRICH	Benennung: <b>Laufwerkfernsteuerungs-</b> <b>kabel 10m</b>			Nummer: <b>1.228.103</b>						

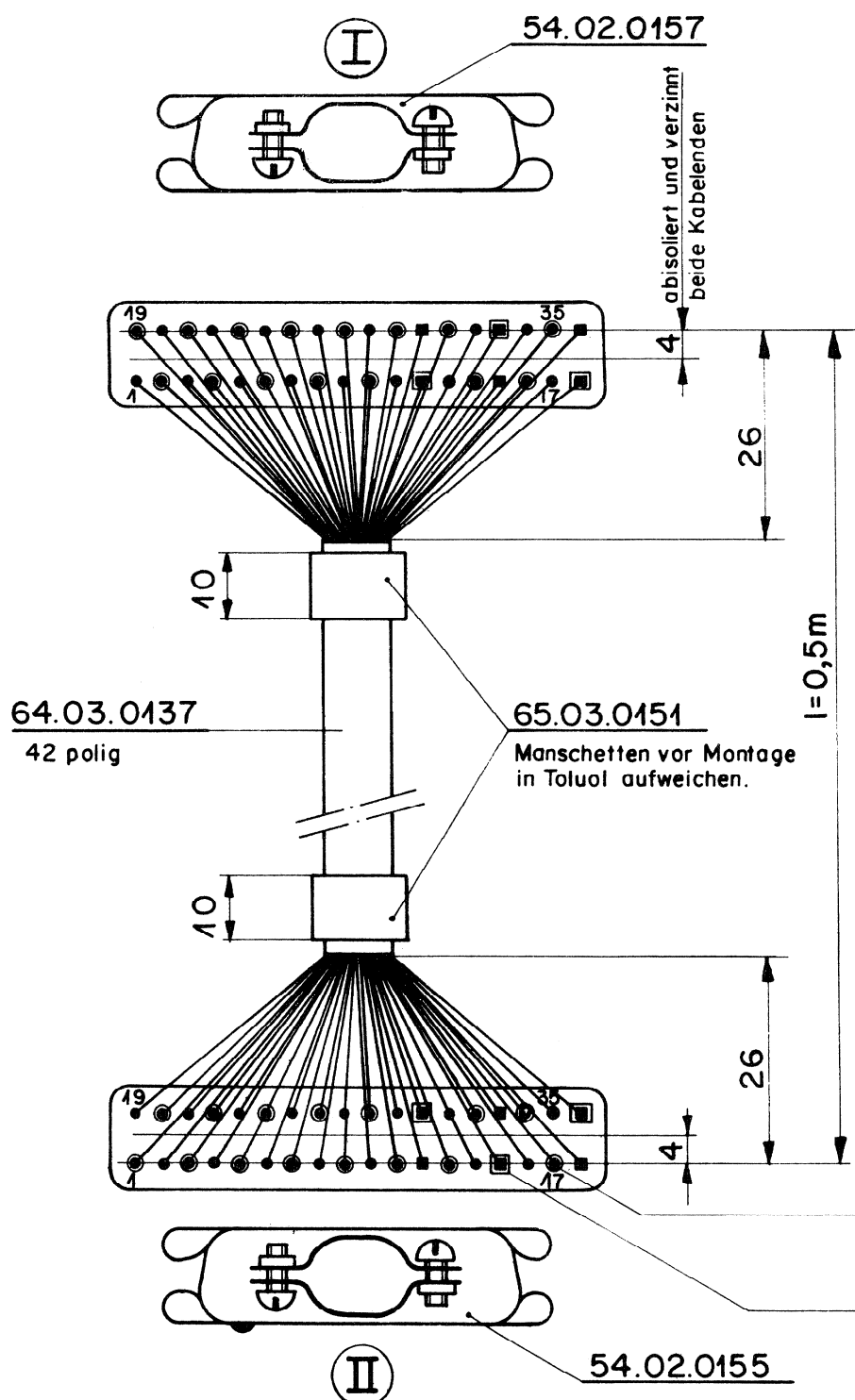




Werkstoff	Norm-Nr.:	Oberfläche	Güte:	Anderung					(3)	
	DIN-Bez.:		Beh.:							(2)
	Abmessung:									(1)
Zugehörige Unterlagen:		Freimasstoleranz:	Maßstab:	Ausgabe	25.9.72	FW	&		(0)	
		±		Datum		Gez.	Gepr.	Ges.	Index	
Ersatz für:		Ersetzt durch:		Kopie für:						
<b>STUDER</b> REGENSDORF ZÜRICH	Benennung:	<b>Laufwerkfernsteuerungs-</b> <b>kabel 15 m</b>			Nummer:	<b>1.228.104</b>				



Werkstoff	Norm-Nr.:	Oberfläche	Güte:	Anderung		Ausgabe		Datum		Gez.	Gepr.	Ges.	Index	③
	DIN-Bez.:		Beh.:											
	Abmessung:													①
Zugehörige Unterlagen:		Freimasstoleranz:	Maßstab:	25.9.72	FW	bc								④
Ersatz für:		Ersetzt durch:		Kopie für:										
<b>STUDER</b> REGENSDORF ZÜRICH	Benennung:	<b>Laufwerkfernsteuerungs-</b> <b>kabel 20m</b>			Nummer: <b>1.228.129</b>									



Verdrahtungs-Tabelle			
Farbe	Stecker		
	I	II	
Litzenfarbe	1	→	1
beliebig,	2	→	2
jedoch immer	3	→	3
gleiche	.		.
Nummern	.		.
verbinden	.		.
	35	→	35
	36	→	36

**Achtung!**  
 Steckerverbindung mit Nr.  
 12,15,18,30,33,36 (■ ■ )  
 werden doppelt geführt

64.03.0137  
42 polig

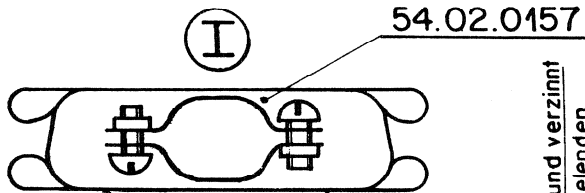
65.03.0151  
Manschetten vor Montage  
in Toluol aufweichen.

I=0,5m

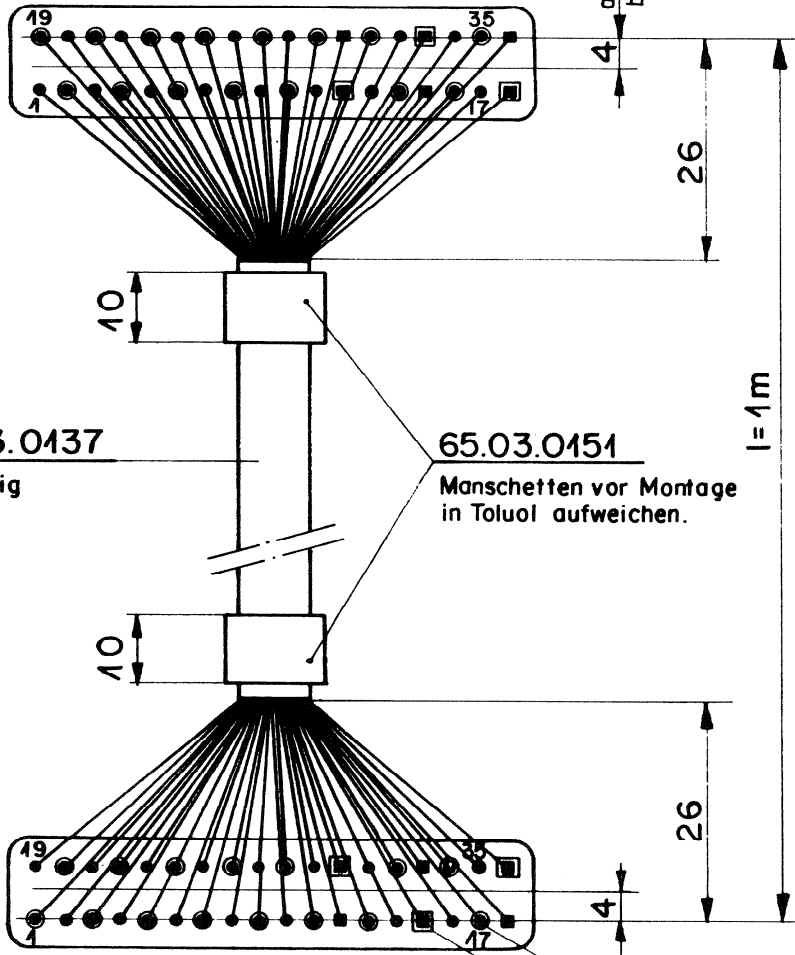
65.04.1056  
Schrumpfschlauch I=6mm(30x)

65.04.1066  
Schrumpfschlauch für doppelt  
geführte Litzen I=6mm(6x)

Werkstoff	Norm-Nr.:	Oberfläche	Güte:	Änderung					(3)	
	DIN-Bez.:		Beh.:							(2)
	Abmessung:									(1)
Zugehörige Unterlagen:		Freimasstoleranz:	Maßstab:	Ausgabe	4.12.73	Ho	1/1		(0)	
		+		Datum	Gez.	Gepr.	Ges.	Index		
Ersatz für:		Ersetzt durch:		Kopie für:						
<b>STUDER REGENSDORF ZÜRICH</b>	Benennung:	<b>Laufwerkfernsteuerungs-</b> <b>kabel Aux. 0,5m</b>			Nummer:	<b>1.228.275</b>				



Verdrahtungs-Tabelle			
Farbe	Stecker		
	I	II	
Litzenfarbe	1	→	1
beliebig,	2	→	2
jedoch immer	3	→	3
gleiche	.	.	.
Nummern	.	.	.
verbinden	.	.	.
	35	→	35
	36	→	36



**Achtung!**  
 Steckerverbindung mit Nr.  
 42,45,48,30,33, 36 (■) werden doppelt geführt

64.03.0137  
42 polig

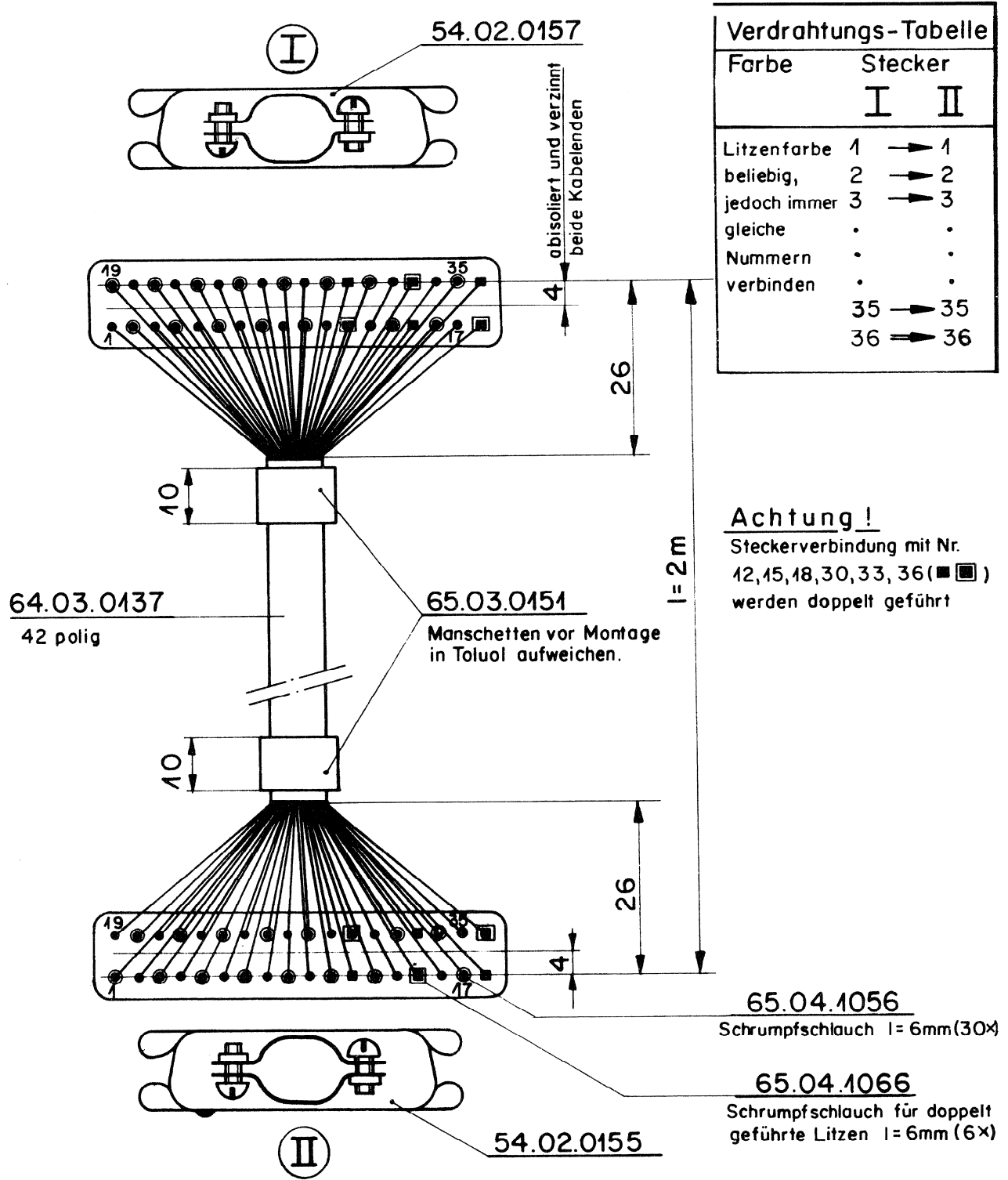
65.03.0151  
Manschetten vor Montage  
in Toluol aufweichen.

65.04.1056  
Schrumpfschlauch l= 6mm(30x)

65.04.1066  
Schrumpfschlauch für doppelt  
geführte Litzen l= 6mm(6x)

54.02.0155

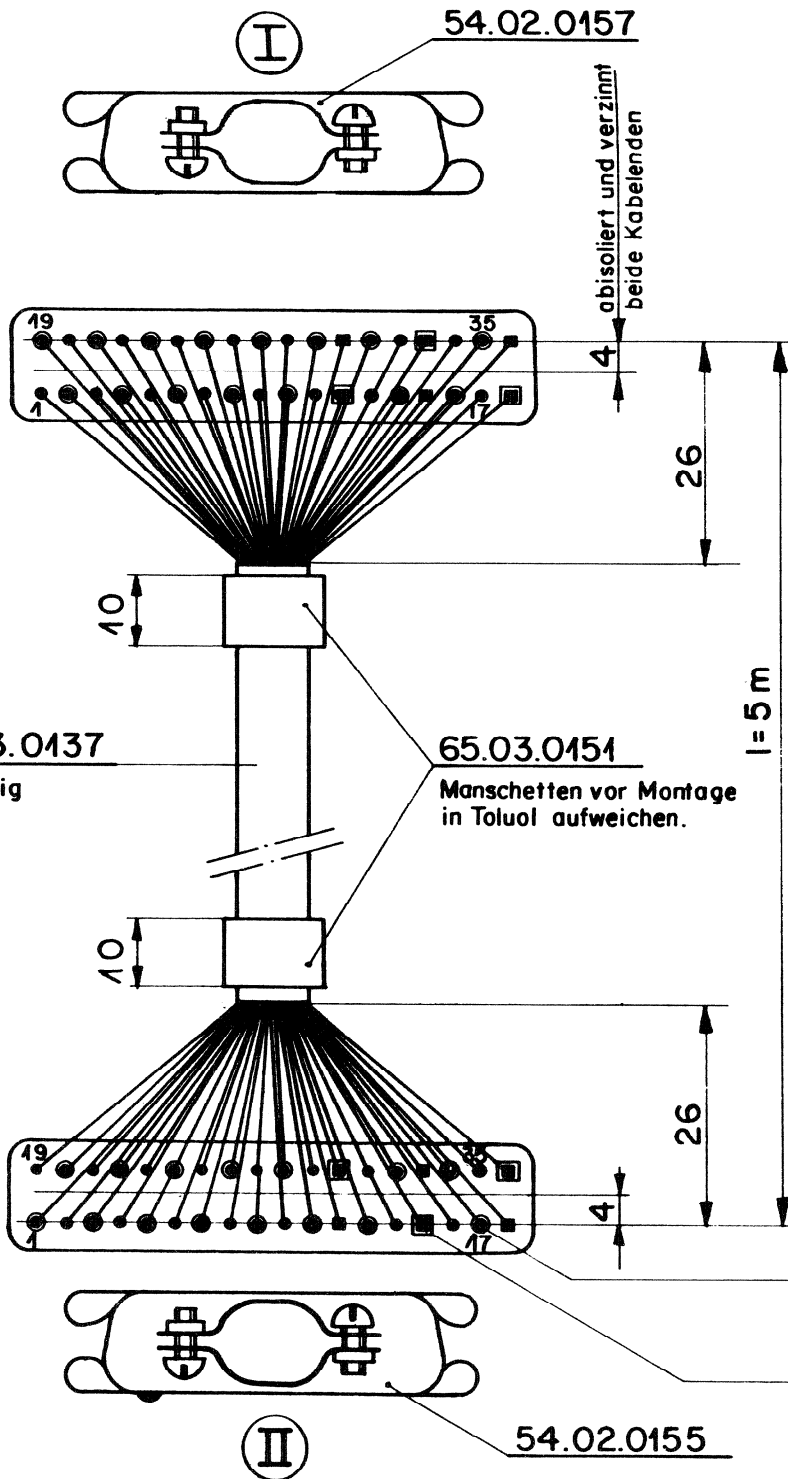
Werkstoff	Norm-Nr.:	Güte:		Änderung					③	
	DIN-Bez.:	Beh.:								②
	Abmessung:									①
Zugehörige Unterlagen:		Freimasstoleranz:	Maßstab:	Ausgabe	4.12.73	Ho	✓		④	
		±		Datum		Gez.	Gepr.	Ges.	Index	
Ersatz für:		Ersetzt durch:		Kopie für:						
<b>STUDER REGENSDORF ZÜRICH</b>	Benennung:	<b>Laufwerkfernsteuerungs-</b> <b>kabel Aux. 1m</b>			Nummer:	<b>1.228.276</b>				



Verdrahtungs-Tabelle		
Farbe	Stecker	
	I	II
Litzenfarbe	1	→ 1
beliebig,	2	→ 2
jedoch immer	3	→ 3
gleiche	.	.
Nummern	.	.
verbinden	.	.
	35	→ 35
	36	→ 36

**Achtung!**  
Steckerverbindung mit Nr.  
42,45,48,30,33,36 (■ ■ )  
werden doppelt geführt

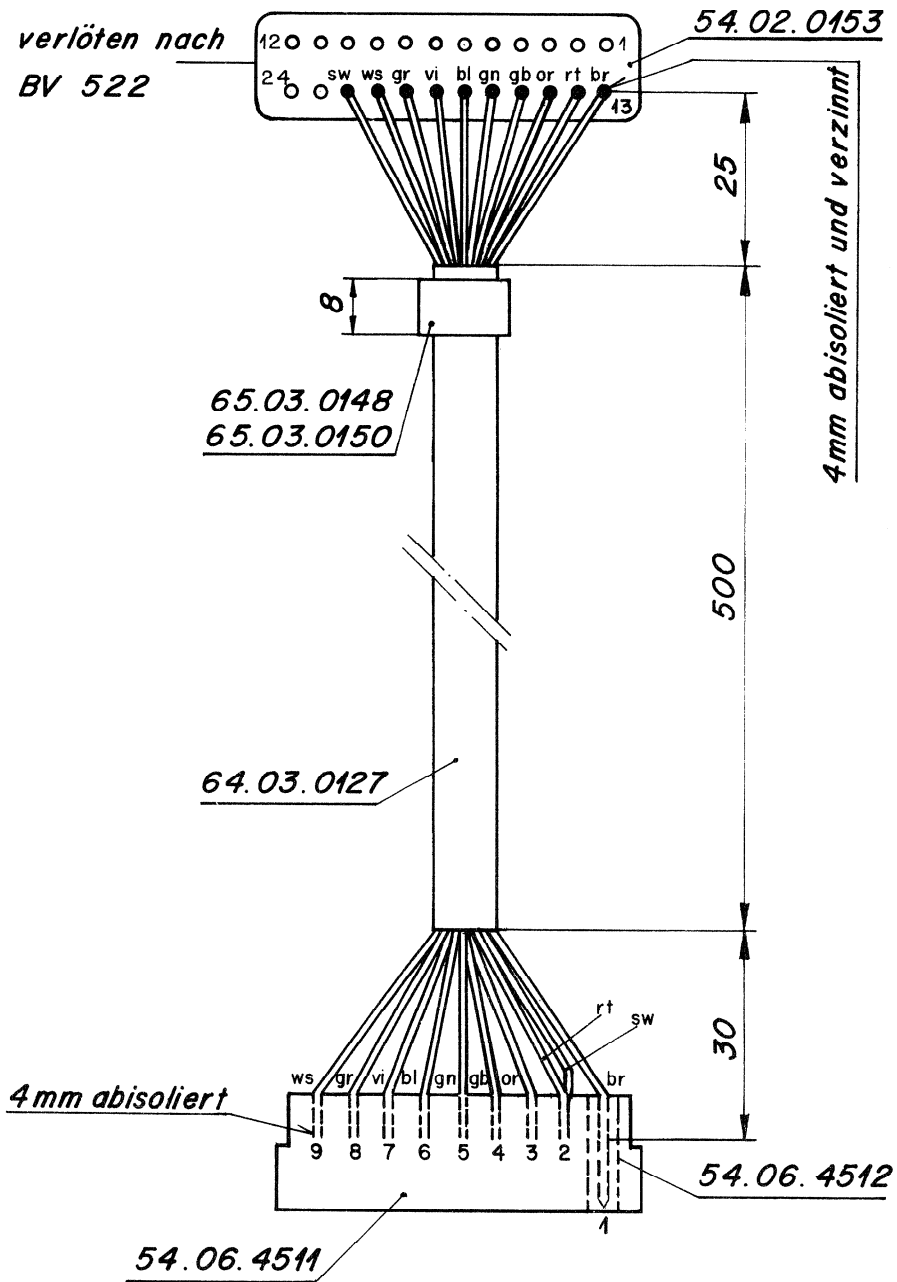
Werkstoff	Norm-Nr.:	Oberfläche	Güte:	Änderung					③	
	DIN-Bez.:		Beh.:							②
	Abmessung:									①
Zugehörige Unterlagen:		Freimasstoleranz:	Maßstab:	Ausgabe	4.12.73	Ho	Va		④	
		±		Datum	Gez.	Gepr.	Ges.	Index		
Ersatz für:		Ersetzt durch:		Kopie für:						
STUDER REGENSDORF ZÜRICH	Benennung:	Laufwerkfernsteuerungs-			Numer:					
		kabel Aux. 2 m								
				1.228.277						



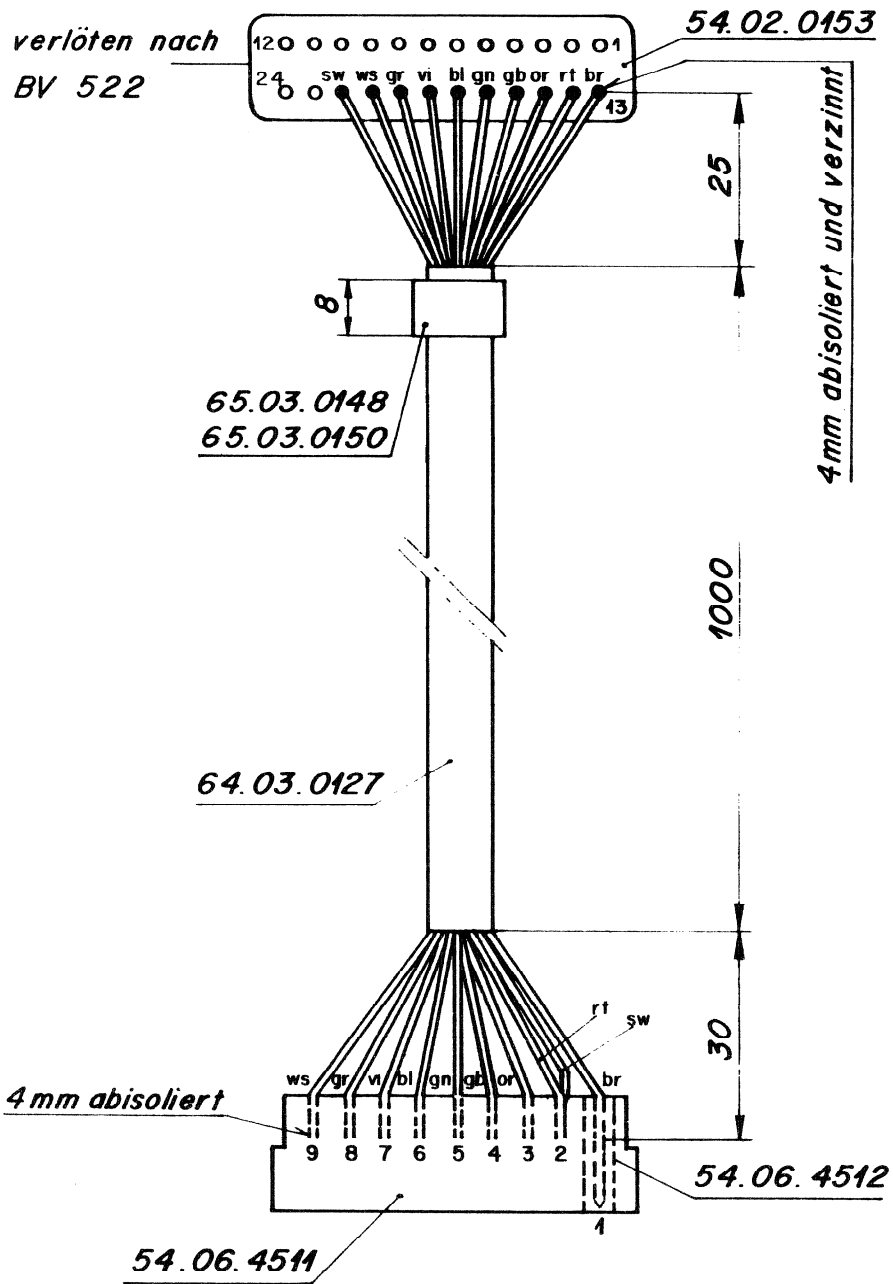
Verdrahtungs-Tabelle			
Farbe	Stecker		
	I	II	
Litzenfarbe	1	→	1
beliebig,	2	→	2
jedoch immer	3	→	3
gleiche	.	.	.
Nummern	.	.	.
verbinden	.	.	.
	35	→	35
	36	→	36

**Achtung!**  
 Steckerverbindung mit Nr.  
 42,45,48,30,33, 36 (■ ■)  
 werden doppelt geführt

Werkstoff	Norm-Nr.:	Oberfläche	Güte:	Änderung		Datum	Gez.	Gepr.	Ges.	Index	③
	DIN-Bez.:		Beh.:		②						
	Abmessung:				①						
Zugehörige Unterlagen:		Freimasstoleranz:	Maßstab:	Ausgabe	4.12.73	Ho					④
		±									
Ersatz für:		Ersetzt durch:		Kopie für:							
<b>STUDER</b> <b>REGENSDORF</b> <b>ZÜRICH</b>		Benennung: <b>Laufwerkfernsteuerungs-</b> <b>kabel Aux. 5m</b>			Nummer: <b>1.228.278</b>						

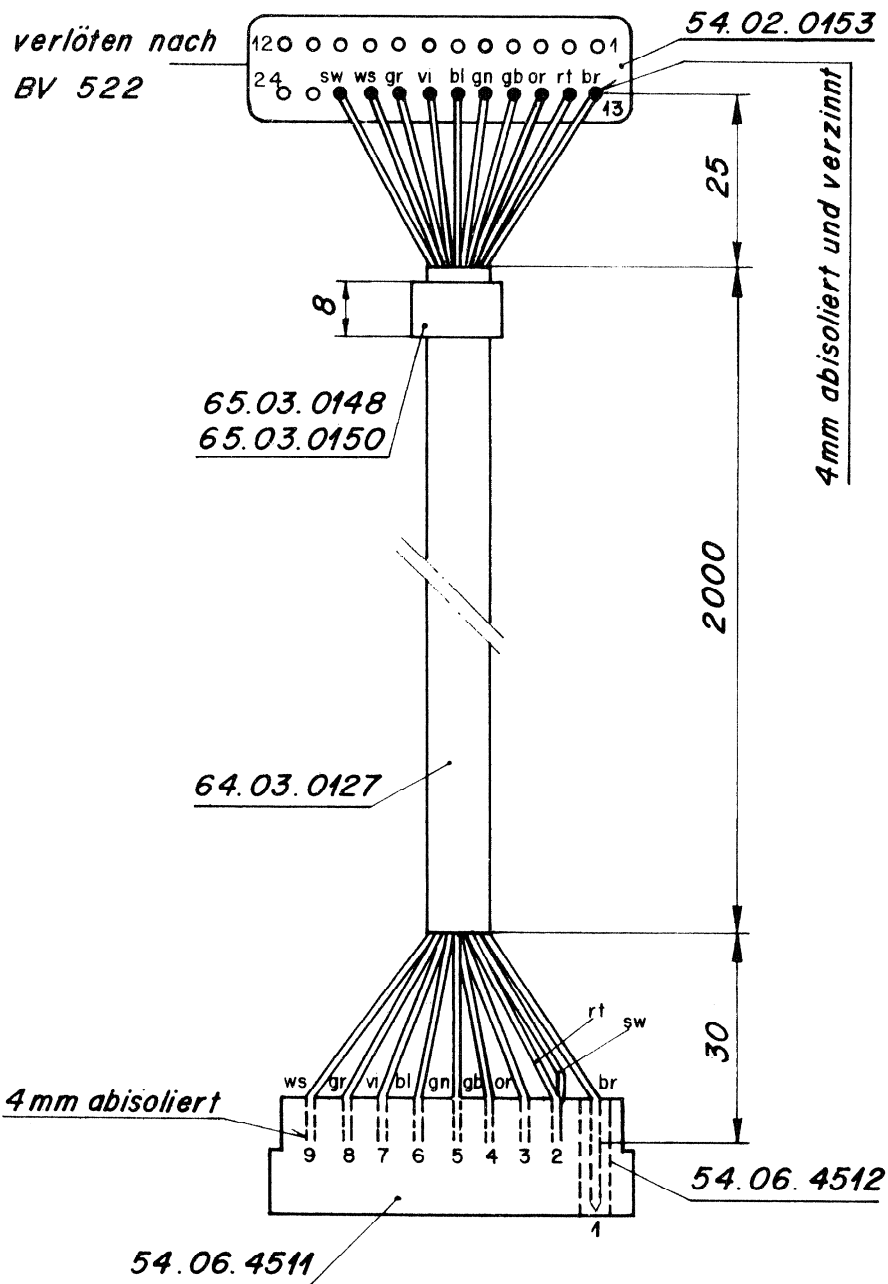


Werkstoff	Norm-Nr.:	Oberfläche	Güte:	Änderung						(3)	
	DIN-Bez.:		Beh.:								(2)
	Abmessung:										
Zugehörige Unterlagen:		Freimasstoleranz:	Maßstab:	Ausgabe	15.10.73	Ho	Ka			(0)	
		±		Datum	Gez.	Gepr.	Ges.	Index			
Ersatz für:		Ersetzt durch:		Kopie für:							
<b>STUDER</b> REGENSDORF ZÜRICH		Benennung: <b>Zähler - Kabel</b> 0,5 m			Nummer: <b>1.228.306</b>						

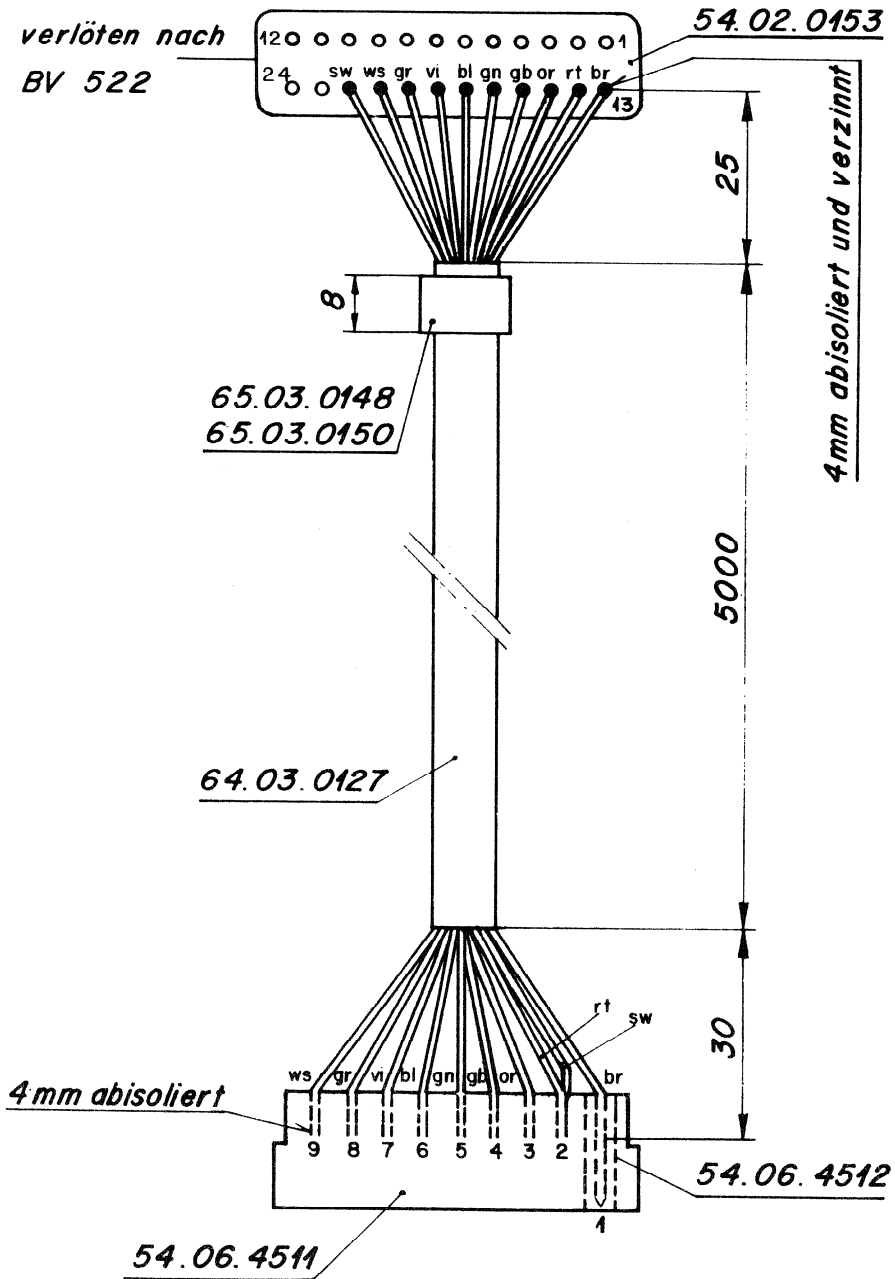


Werkstoff	Norm-Nr.:	Oberfläche		Güte:			③
	DIN-Bez.:	Beh.:					②
	Abmessung:						①
Zugehörige Unterlagen:		Freimasstoleranz:	Maßstab:		Ausgabe	15.10.73 Ho Kf	④
		±			Datum	Gez. Gepr. Ges. Index	
Ersatz für:		Ersetzt durch:		Kopie für:			
<b>STUDER</b> REGENSDORF ZÜRICH	Benennung: <b>Zähler - Kabel</b> 1m	Nummer: <b>1.228.307</b>					





Werkstoff	Norm-Nr.:	Oberfläche		Güte:	Änderung					③	
	DIN-Bez.:	Beh.:									②
	Abmessung:										①
Zugehörige Unterlagen:		Freimasstoleranz:	Maßstab:		Ausgabe	15.10.73	Ho	Ka	①		
		± —	—		Datum	Gez.	Gepr.	Ges.	Index		
Ersatz für:		Ersetzt durch:		Kopie für:							
<b>STUDER</b> REGENDORF ZÜRICH	Benennung: <b>Zähler - Kabel</b> 2m	Nummer: <b>1.228.308</b>									



Werkstoff	Norm-Nr.:	Oberfläche	Güte:	Änderung					(3)	
	DIN-Bez.:		Beh.:							(2)
	Abmessung:									(1)
Zugehörige Unterlagen:		Freimasstoleranz:	Maßstab:	Ausgabe	15.10.73	Ho	KF		(0)	
		±		Datum	Gez.	Gepr.	Ges.	Index		
Ersatz für:		Ersetzt durch:		Kopie für:						
<b>STUDER</b> REGENSDORF ZÜRICH	Benennung: <b>Zähler - Kabel</b> 5m	Nummer: <b>1.228.309</b>								