

Modification Instruction for:

* Improvement of frequency response of early 24 channel recorders.

** Elimination of spike noise of A80-VU recorders.

1. It has been found that the early 24 channel A80 recorders have a high frequency roll-off in the reproduce and sync channels. The cause of this short coming has been found in the too low value of the resistor across the secondary winding of the input transformer.

The 82 K.Ohm resistor near the input transformer T1 must therefore be changed to 180 K.Ohm.

In addition it is recommended to change R33 (10 Ohm) on record driver p.c.b. 1.080.872 to 4,7 Ohm.

Parts list: per channel	2 Resistors 180 K.Ohm	57.41.4184
	1 Resistor 4,7 Ohm	57.02.5479

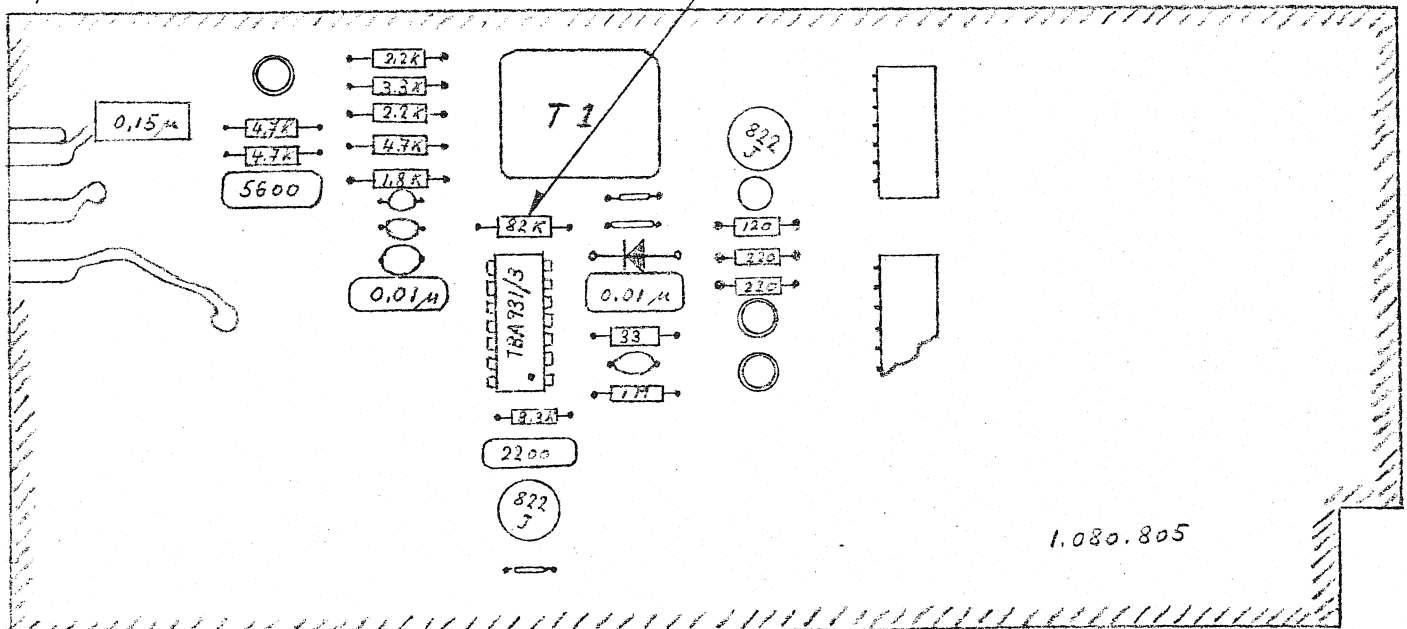
2. Under certain conditions it may occur that 100 Hz spikes are being recorded on the tape. These spikes may be as much as 6 dB above the tape noise.

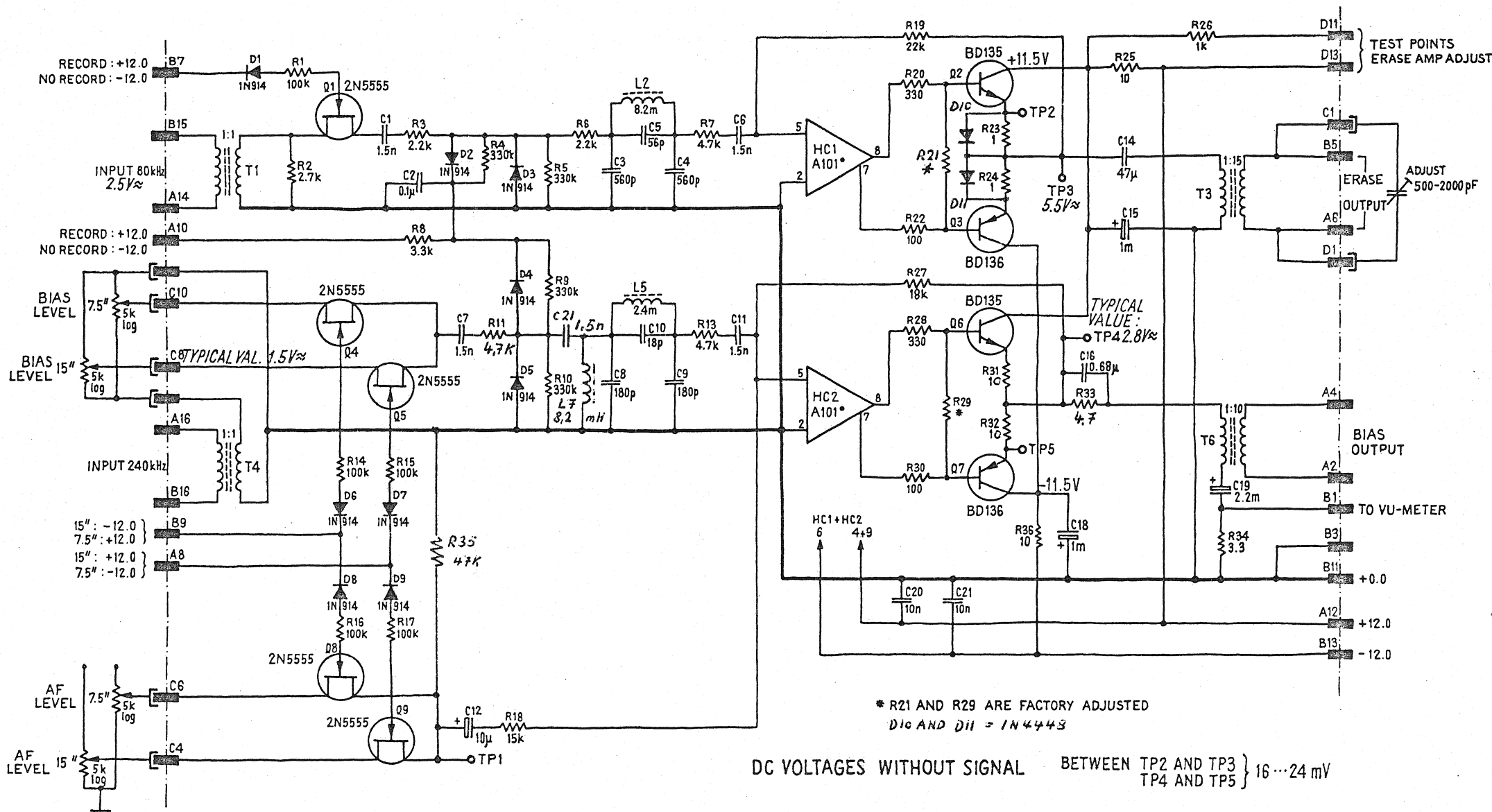
This problem can be eliminated by the modifications on the record driver card 1.080.881 marked (**).

Parts list: per channel	1 Resistor 4,7 K.Ohm	57.41.4472
	1 Capacitor 1,5 nf	59.32.1152
	1 Choke 8,2 mH	62.01.0113

Wettingen, 19th December 1973
To/fm

* substitute 82 KΩ resistor by a 180 KΩ resistor

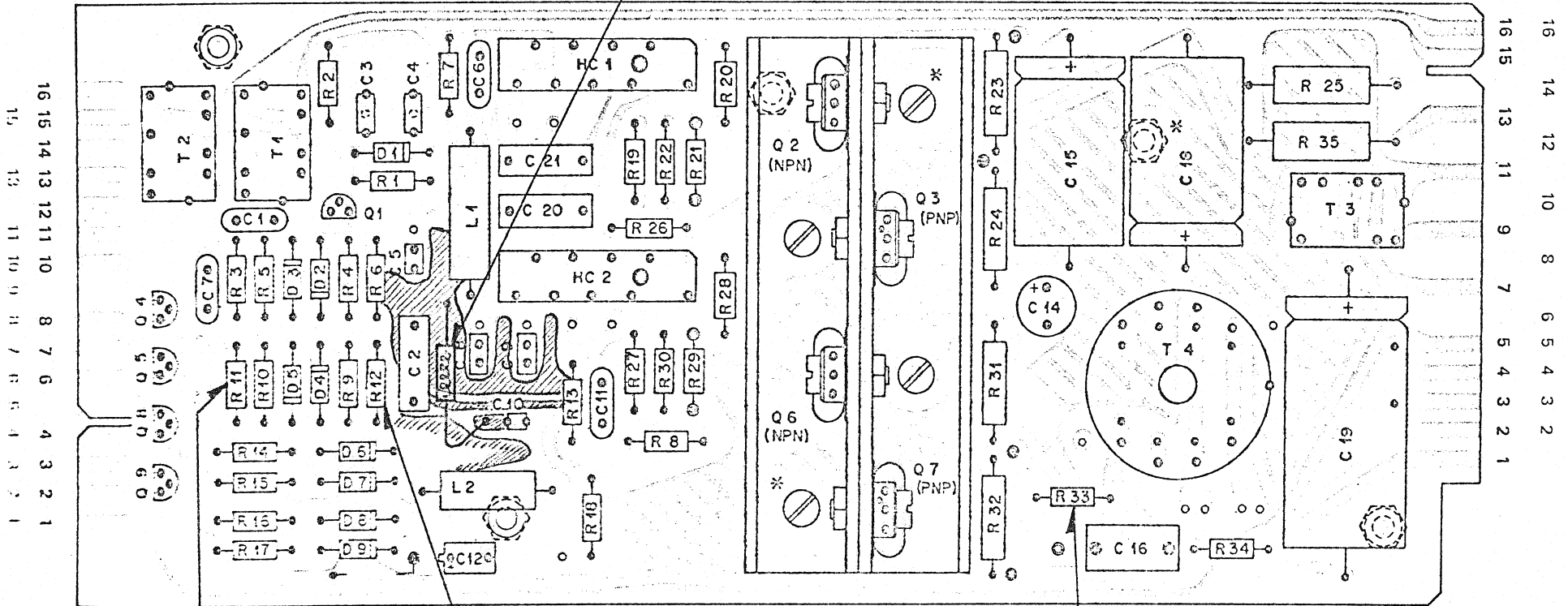




MODIFICATION

- * Frequency Response 24 Channel
- ** Spike Noise

** Insert additional 8.2 mH choke



** substitute R11 (2.2K)
** by a 4.7K resistor

** substitute R12 (2.2K)
** by a 150pf capacitor

* substitute R33 (10Ω)
* by a 4.7Ω resistor