

1 August 2001

Dear Mr. Gray,

Thank you for contacting the Studer Support Team in Switzerland

1.) Studer A807 Tape recorder (serial number 2178)

The Studer A807 tape recorder with serial number 2178 is a MK I version with built-in VU meters (A807 2/2 VU) and left the production on the 1st of August 1987.

2.) Conversion to high speed (HS)

It is possible to convert the Studer A807 to high speed. It is not very easy, but here the modification instructions:

Command Panel PCB 1.727.362.00:

* Change Jumper JP 15 from Position "L" to Position H

Capstan Motor Control 1.727.330.21:

* Change the capacitor C51 from 0,47 μ F to 2,2 μ F

* Change PCB label 1.727.330.21 to 1.727.335.20 (HS version)

Audio Control Board 1.727.400.00:

* Remove wire bridge W5 and solder it into Position B

* Remove wire bridge W6 and solder it into Position B

* Add D5, D6 (both 1N 4448) and R53 (3,3 k Ω) according to the MK I Service Manual (10.27.0453) You may also order the HS PCB 1.727.401.00, if you may not convert it. * $\$$

* Change the label of the Audio Control PCB from 1.727400.00 to 1.727.401.00 (HS version)

Audio Electronics PCB 1.727.460.00:

* Change R 70 from 4,7 kW to 6,8 kW

* Insert R 71 (39 kW)

- * Change R 72 from 6,8 kW to 4,7 kW
- * Change R 73 from 47 kW to 100 kW
- * Change R 74 from 4,7 kW to 6,8 kW
- * Insert R 75 (100 kW)
- * Insert R 77 (82 kW)
- * Insert Wire bridge W 4

- * Change R 198 from 220 kW to 330 kW
- * Change R 220 from 10 kW to 2,2 kW
- * Change R 222 from 8,2 kW to 3,9 kW
- * Change R 223 from 47 kW to 56 kW
- * Change R 226 from 3,9 kW to 8,2 kW
- * Change R 227 from 56kW to 47 kW
- * Change the label of the Audio Electronics PCB 1.727.462.00 to 1.727.467.00 (HS version) on both PCB's.

Of course, both PCB's need to be modified.

- ** Exchange the Front Cover Panel 1.727.100.24 to 1.727.064.01 (must be ordered !!)
- ** Exchange the Display Window 1.727.100.40 by 1.727. 015.02 (must be ordered !!)

**Realign the audio for all speeds and each brand of tape (Tape A / Tape B) or NAB / CCIR.

3.) Conversion to 2 - track ½"

To convert the Studer A807 tape recorder to half inch 2 - track the modification kit 1.807.080.00 will be necessary.
Please contact our Studer representative for Australia for price information of this kit or for the above listed items for the HS conversion.

The address for the Studer representative you will on our homepage under:
<http://www.studer.ch/company27.htm> <<http://www.studer.ch/company27.htm>>

or here the details:

Syntec International PTY Ltd.
60 Gibbes Street
Chatswood, N.S.W. 2067
Tel +61 2 9417 47 00
Fax +61 2 9417 61 36
sales@syntec.com.au <<mailto:sales@syntec.com.au>>

4.) Studer PDF Manuals

Unfortunately we do not have the Manuals in PDF files available. You may have to purchase it. The correct order number for the A807 MK I service manual is: 10.27.0453.

Best regards

Martin Berner
Studer Product Support

Studer Professional Audio AG
Althardstrasse 30
8105 Regensdorf (Switzerland)
phone +41-1-870-75-11
fax +41-1-870-71-34
e-mail support@studer.ch
home page <http://www.studer.ch>

Subject: RE: Conversion of A807 to HS
Date: Tue, 30 Apr 2002 15:54:53 +0200
From: martin.berner@studer.ch
To: dchalmers@austereo.com.au

*Chuck James
Frank Hinton
(03) 9379-1511
by direct
chuck@2audiocontrols.com*

Dear Daniel,

According to our reports, your Studer A807 MK I tape recorder with the serial number 2178 is equipped with the Tape Deck Electronics PCB 1.727.350.21, which means the Software status is 20/87. This early Software (SW) version is not capable for 30 ips. The first SW which is prepared for the HS version is 30/88 (first two digits of the SW identification number indicate the week and the second two digits indicate the year of the SW release).

Therefore you need the latest Software release for the Studer A807 MK I version, which is 10/89, order number: 1.727.351.25. With this modification the Tape Deck Electronics PCB 1.727.350.21 will change the part number to: 1.727.350.25. Please change the label to index .25 for identification of this PCB in case of troubles on other occasions. The new SW (IC 14 and IC 15 of the Tape Deck Electronics PCB 1.727.350.21) may be inserted without any hardware modification.

⇒ \$445.00!

For the speed conversion is actually only the position of Jumper J15 responsible. As soon as you put this jumper into position "high" the machine should run on 30 ips.

I cross-checked all the modifications you made. Actually everything is correct. However, there was an other modification on the Audio Electronics PCB which I recommend you to do. You will find it on the attached Schematic diagram:

<<A807 Audio Electronics PCB modification.pdf>> :

Component changes:

- C92 = 10µF
- R 198 = 390k (for HS)
- R 199 = 200k
- R218 = 390k

Interrupt connection from C91 to R218 and pin 6 of IC 20/2 and connect C91 and pin 13 of IC 18/2 in-between R236 and C92 as shown on the diagram in the pdf

Best regards

Martin Berner
Studer Product Support

Studer Professional Audio AG
Althardstrasse 30
8105 Regensdorf (Switzerland)
phone +41-1-870-75-11
fax +41-1-870-71-34
e-mail martin.berner@studer.ch <mailto:martin.berner@studer.ch>
home page http://www.studer.ch <http://www.studer.ch>

-----Original Message-----

From: Daniel Chalmers [SMTP:dchalmers@austereo.com.au]
Sent: Tuesday, April 30, 2002 8:34 AM
To: Martin Berner
Subject: Conversion of A807 to HS

Hi Martin,

On instructions from Brian Murphy at Syntec in Sydney, I have been

attempting to convert a Studer A807 to high speed unfortunately without success. The unit has serial number 2178 and is a MK1.

I have performed the following modifications as per the Syntec instruction sheet:-

COMMAND PANEL PCB 1.727.362.00

Changed jumper 15 from 'L' to 'H'

CAPSTAN MOTOR CONTROL PCB 1.727.330.21

Changed capacitor C51 from 0.47uF to 2.2uF

AUDIO CONTROL PCB 1.727.400.00

Moved wire bridge W5 to position B;
Moved wire bridge W6 to position B;
Added D5, D6 (1N4448) and R53 (3.3k) as per schematic for

1.727.401.00

AUDIO ELECTRONICS PCB 1.727.460.00

Changed R70 to 6.8k;
Inserted R71 39k;
Changed R72 to 4.7k;
Changed R73 to 100k;
Changed R74 to 6.8k;
Inserted R75 100k;
Inserted R77 82k;
Inserted wire bridge W4
Changed R198 to 330k
Changed R220 to 2.2k
Changed R222 to 3.9k
Changed R223 to 56k
Changed R226 to 8.2k
Changed R227 to 47k

After performing all of these modifications, the unit fails to run at high speed, and I can only get 15IPS instead of 30IPS. Would you be so kind as to check what I have done and let me know of anything I have missed?

Kind regards,

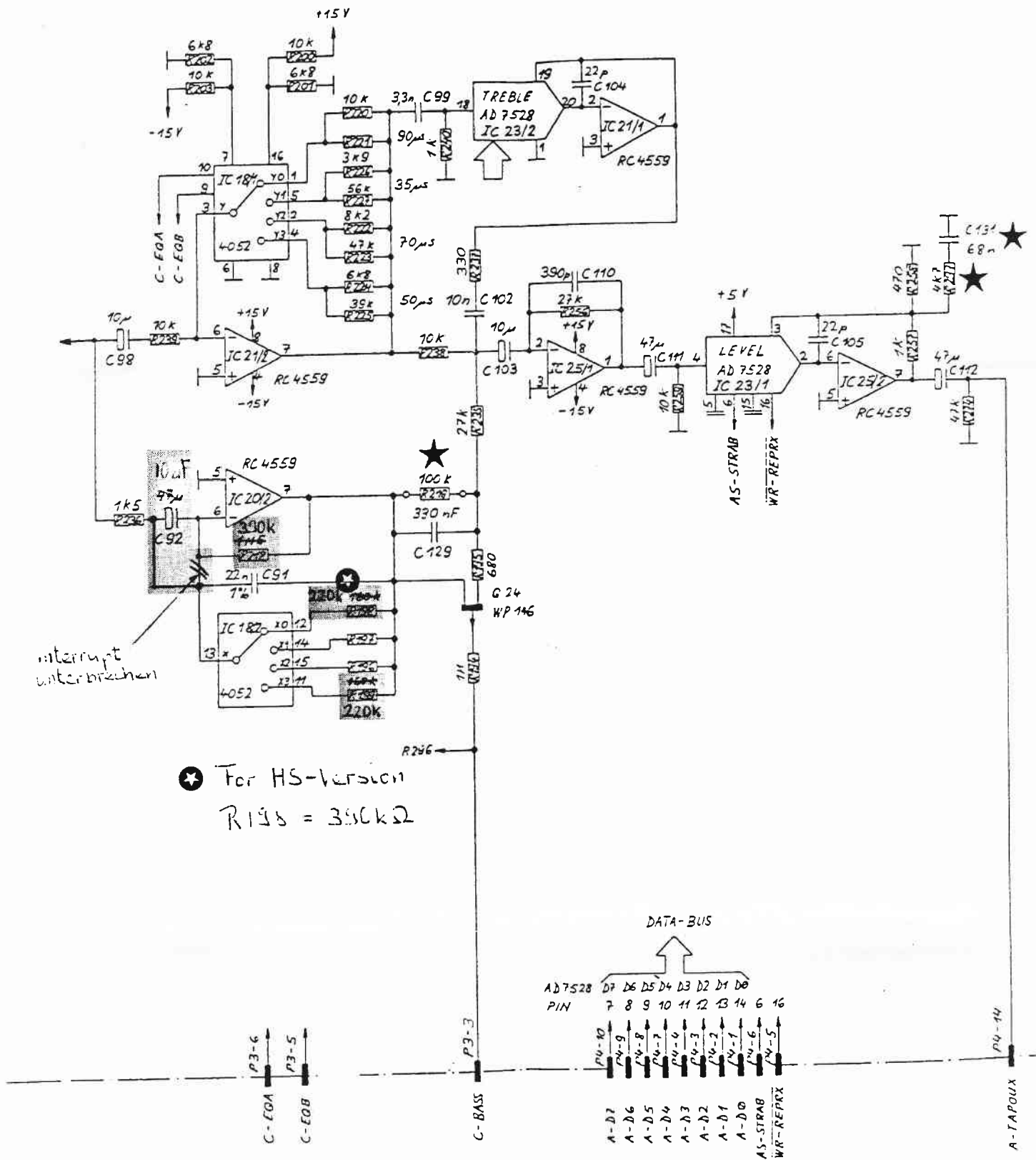
DANIEL CHALMERS
Austereo Brisbane

This email and any files transmitted with it are confidential and intended solely for the use of the individual or entity to whom they are addressed. If you have received this email in error please

notify
the system manager.

This footnote also confirms that this email message has been swept
by
MIMESweeper for the presence of computer viruses.

www.mimesweeper.com



★ For HS-Version
R198 = 350kΩ

| | | | | |
|----------------|---------------------------------|-------------|-------------|--------------|
| 30.8.88 GP | ① 6.12.88GP | ② 1.3.89 GP | ... | ... |
| A 727 GR 41/42 | | | PAGE 5 OF 6 | |
| STUDER | AUDIO ELECTRONICS BOARD 212 VUK | | SC | 1.727.460.84 |