

STUDER

PROFESSIONAL AUDIO EQUIPMENT

Service Information

**Slew rate limiter für A800
Spooling Motor Power Unit**

**Slew rate limiter for A800
Spooling Motor Power Unit**

SI 96/86 Order No. 10.85.5800 (Ed.0486)

Umbauanleitung zu Umrüstsatz
20.020.302.75 Slew rate limiter für
A800 Spooling Motor Power Unit
1.180.501.81

Installation instruction to con-
version kit 20.020.302.75 Slew rate
limiter for A800 Spooling Motor
Power Unit 1.180.501.81

enthaltend:

- 1 Einbauanleitung 10.85.5800
SI 96/86
- 1 Slew rate limiter left 1.180.729.00
- 1 Slew rate limiter right 1.180.730.00
- 1 Kleber Index .82 1.010.082.43

consisting of:

- 1 Installation instruc- 10.85.5800
tion SI 96/86
- 1 Slew rate limiter left 1.180.729.00
- 1 Slew rate limiter right 1.180.730.00
- 1 Label index .82 1.010.082.43

Spooling Motor Power Unit
1.180.501.81

Spooling Motor Power Unit
1.180.501.81

Vermehrte Ausfälle der Endtransistoren bei schnellem Reversieren.

Increased failures of the power transistors during fast transistions.

Modifikation

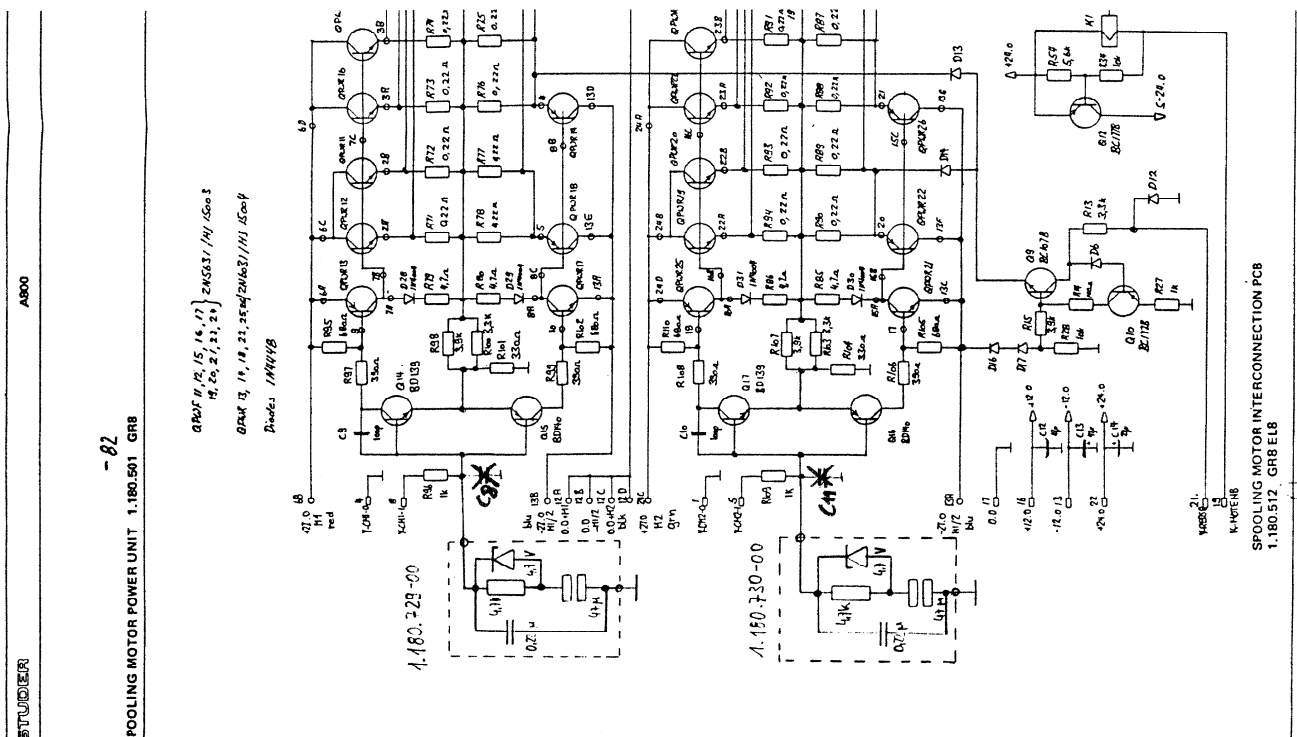
Modification

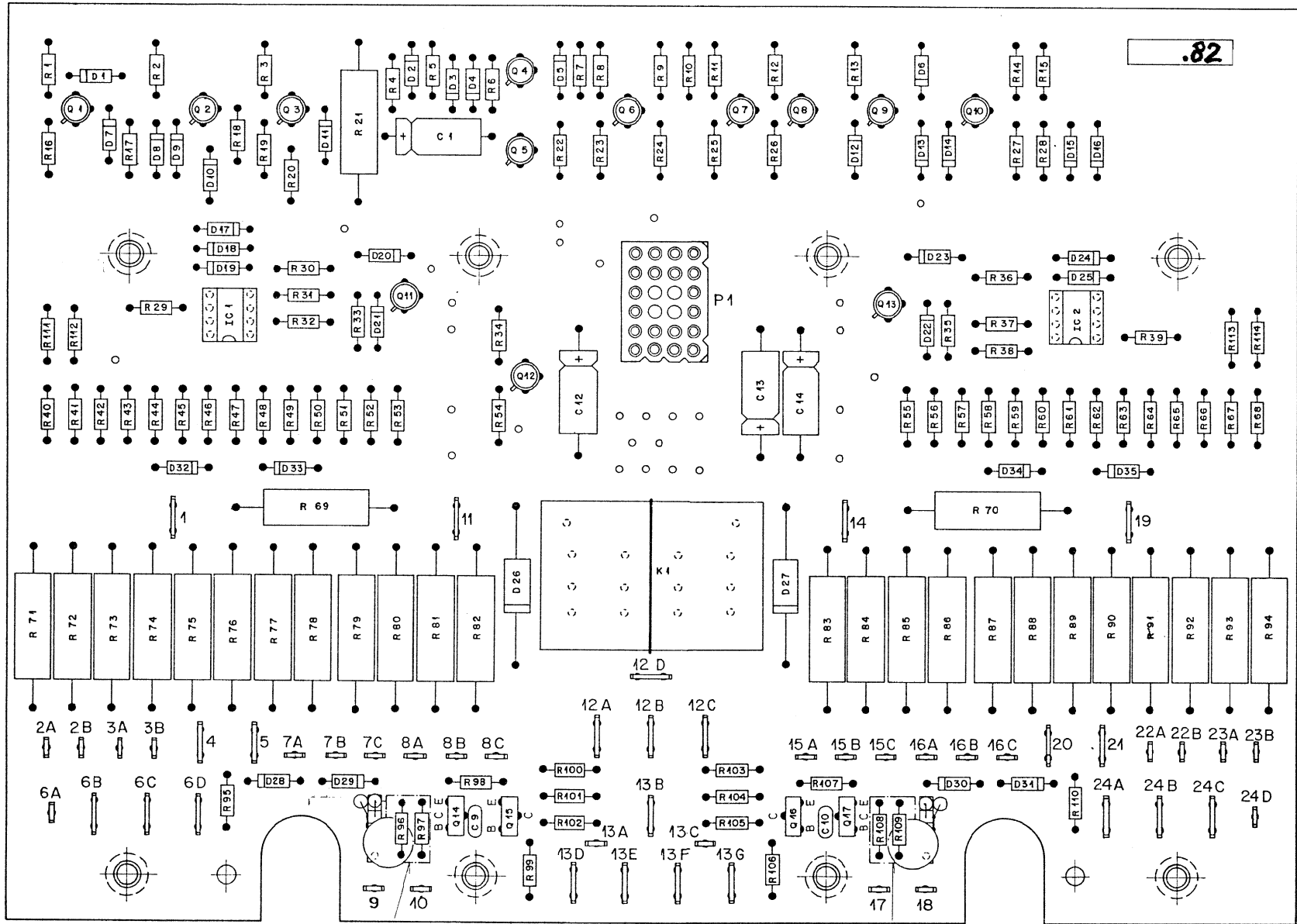
Die Slew rate der Ansteuerung der Endstufe wird limitiert.

Limitation of the slew rate in the driver stage.

- C8 wird ersetzt durch den Slew rate limiter left 1.180.729.00
- C11 wird ersetzt durch den Slew rate limiter right 1.180.730.00
- Spooling Motor Power Unit 1.180.501.81 ändert auf 1.180.501.82.

- C8 is replaced by the slew rate limiter left 1.180.729.00
- C11 is replaced by the slew rate limiter right 1.180.730.00
- Spooling Motor Power Unit 1.180.501.81 changes to 1.180.501.82.





4180.729-00

4180.730-00