

STUDER

PROFESSIONAL AUDIO EQUIPMENT

Service Information

STUDER A67

Power supply 1.067.160

STUDER A67

Power Supply 1.067.160

If one of the rectifier (D2, D6, D12) fails, it is recommended to replace all of them by the replacement type Varo VS 048.

The reason of the trouble is a too high current consumption of the three rectifiers especially if the surrounding temperature is high.

Further three capacitors 100 pF must be added to prevent oscillation. See enclosed drawing, board 1.067.160.

All three rectifiers D2, D6, D12 (board 1.067.160), the fuses F5 and F6 (mains transformer assembly) must be replaced.

Needed components:

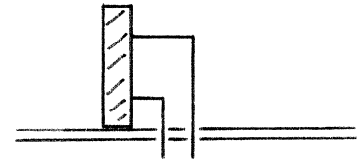
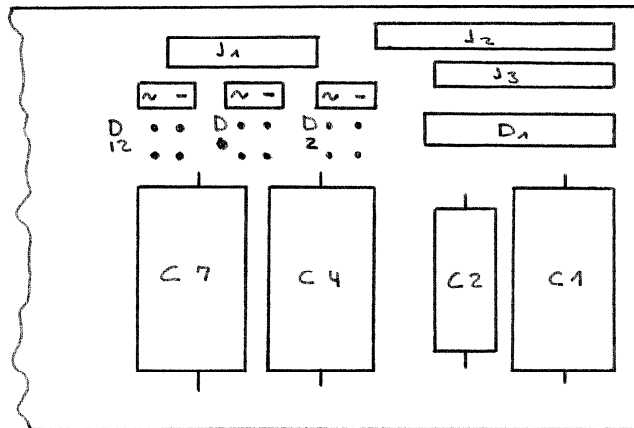
Rectifiers:	-3-	Varo Semicontactor VS 048	70.01.0226
Fuses	:	-1- F5 1 AT	51.01.0117
		-1- F6 1.25 AT	51.01.0118
Capacitors:	-3-	100 pF	59.32.0101
Label	:	-1- for fuse identification	

All components are free of charge and shipped off according to the destinations of the machines in question.

Procedure of modification:

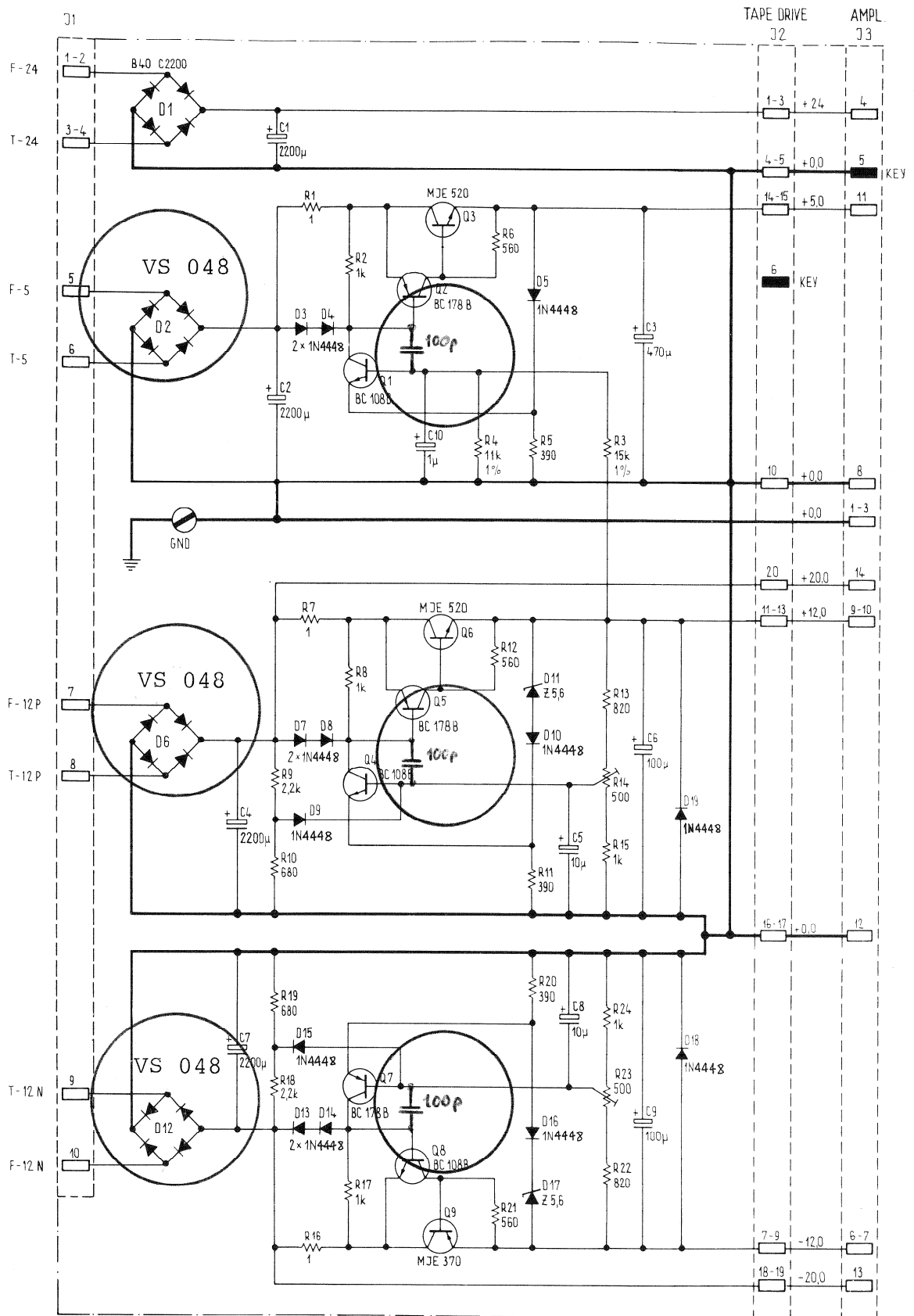
- Unscrew rear panel and top panel plate
- Unscrew stabilizer board 1.067.160 (2 screws on top, one below)
- Remove power transistor RCA 411 that print can be removed.

Mounting Rectifiers



Important!

- When assembling board 1.067.160 again make sure that the spooling motor wires fed between the power transistor cooling device and the stabilizer board do not get hurt.



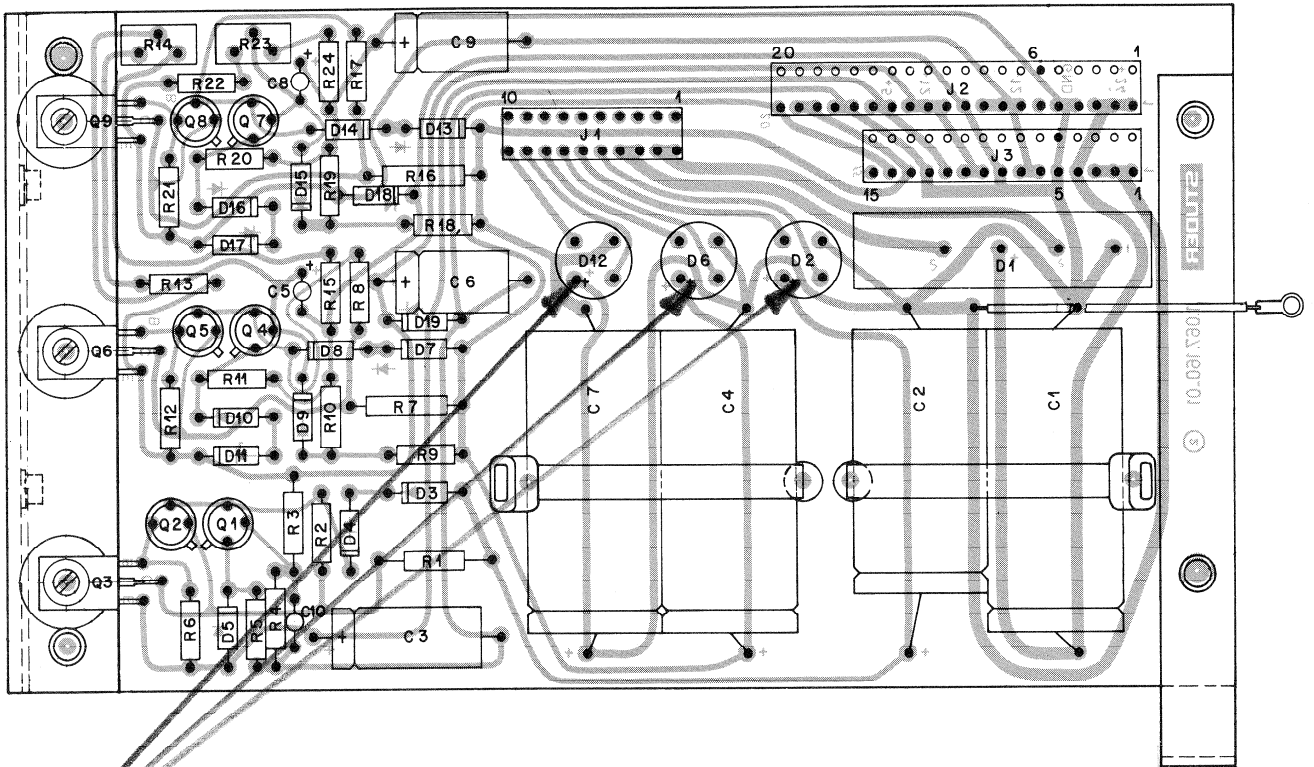
A4

Power supply
Netzteil
Alimentation

1.067.160

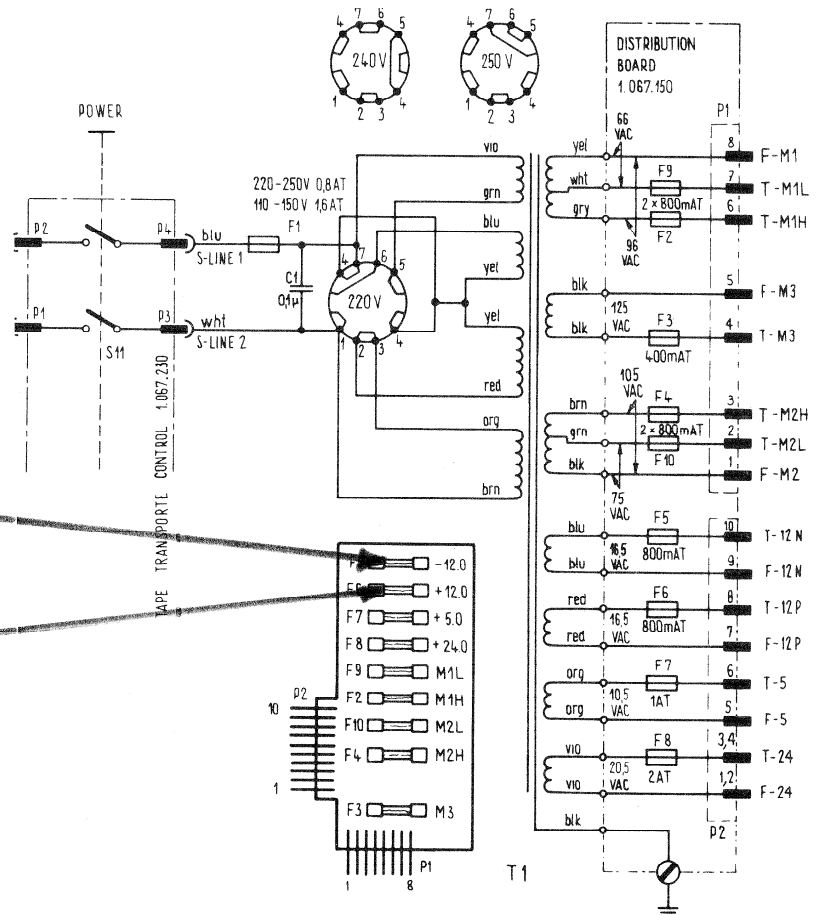
POSITION	ORDER NUMBER	SPECIFICATIONS		
		Value	Tolerance %	Notes

	1.067.160	Power Supply			
C 1	59.25.5222	2.2 m	50	35 V	EL
C 2	59.25.3222	2.2 m	50	16 V	EL
C 3	59.25.1471	470 u	50	6.3 V	EL
C 4	59.25.4222	2.2 m	50	25 V	EL
C 5	59.30.4100	10 u	50	16 V	TA
C 6	59.25.3101	100 u	50	16 V	EL
C 7	59.25.4222	2.2 m	50	25 V	EL
C 8	59.30.4100	10 u	50	16 V	TA
C 9	59.25.3101	100 u	50	16 V	EL
D 1	70.01.0212	B 40 / C 2200			SI
D 2	70.01.0222	B 35 / C 800			SI
D 3	50.04.0109	1 N 4448			SI
D 4	50.04.0109	1 N 4448			SI
D 5	50.04.0109	1 N 4448			SI
D 6	70.01.0222	B 35 / C 800			SI
D 7	50.04.0109	1 N 4448			SI
D 8	50.04.0109	1 N 4448			SI
D 9	50.04.0109	1 N 4448			SI
D 10	50.04.0109	1 N 4448			SI
D 11	50.04.1108	5.6 V	5	0.4 W	Z
D 12	70.01.0222	B 35 / C 800			SI
D 13	50.04.0109	1 N 4448			SI
D 14	50.04.0109	1 N 4448			SI
D 15	50.04.0109	1 N 4448			SI
D 16	50.04.0109	1 N 4448			SI
D 17	50.04.1108	5.6 V	5	0.4 W	Z
D 18	50.04.0109	1 N 4448			SI
D 19	50.04.0109	1 N 4448			SI
J 1	54.01.0242	Socket Strip			AMP
J 2	54.01.0226	Socket Strip			AMP
J 3	54.01.0219	Socket Strip			AMP
Q 1	50.03.0409	BC 108 B			NPN
Q 2	50.03.0306	BC 178 B			PNP
Q 3	50.03.0447	MJE 520			NPN
Q 4	50.03.0409	BC 108 B			NPN
Q 5	50.03.0306	BC 178 B			PNP
Q 6	50.03.0447	MJE 520			NPN
Q 7	50.03.0306	BC 178 B			PNP
Q 8	50.03.0409	BC 108 B			NPN
Q 9	50.03.0446	MJE 370			PNP



Power supply
Netzteil
Alimentation
1.067.160

To be replaced by
VS 048



To be replaced by
1 AT

To be replaced by
1.25 AT

11.75

A 2 MAINS TRANSFORMER ASSEMBLY 1.067.140