

STUDER

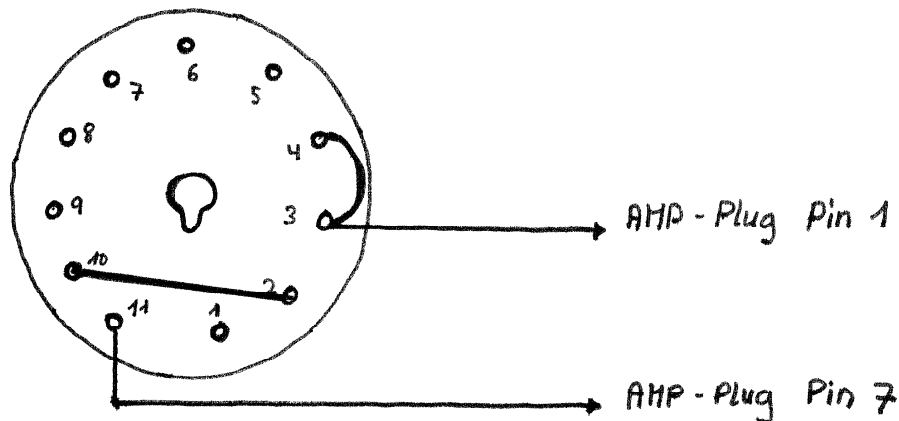
PROFESSIONAL AUDIO EQUIPMENT

Service Information

Modification for using the address-
start interface
A80/RC for B62/A62
Service Information SI 52/80 E

Modification for using the adresstart Interface A80/RC for B62 / A62

- 1.) Use adresstart Interface 1.228.623 A80/RC including adresstart-cables 1.228.636 A80/RC.
- 2.) Replace Remote plug A80/RC by remote plug B62 (Studer-No.: 54.02.0226)
The following contacts are used:



- 3.) The Pins 5 and 6 in the AMP-plug are not used for B62. We recommend to cut the wire and leave the pins in the socket.

Farbe	AMP 9 pol 54.02.0445 Pin Nr.	Ampheno1 54.02.0226 Pin Nr.	Sign Name
ws	1	3	0V
bl *	2		
ws	3		
or *	4		
ws	5		
gn *	6		
ws	7	11	Fader start
br *	8		

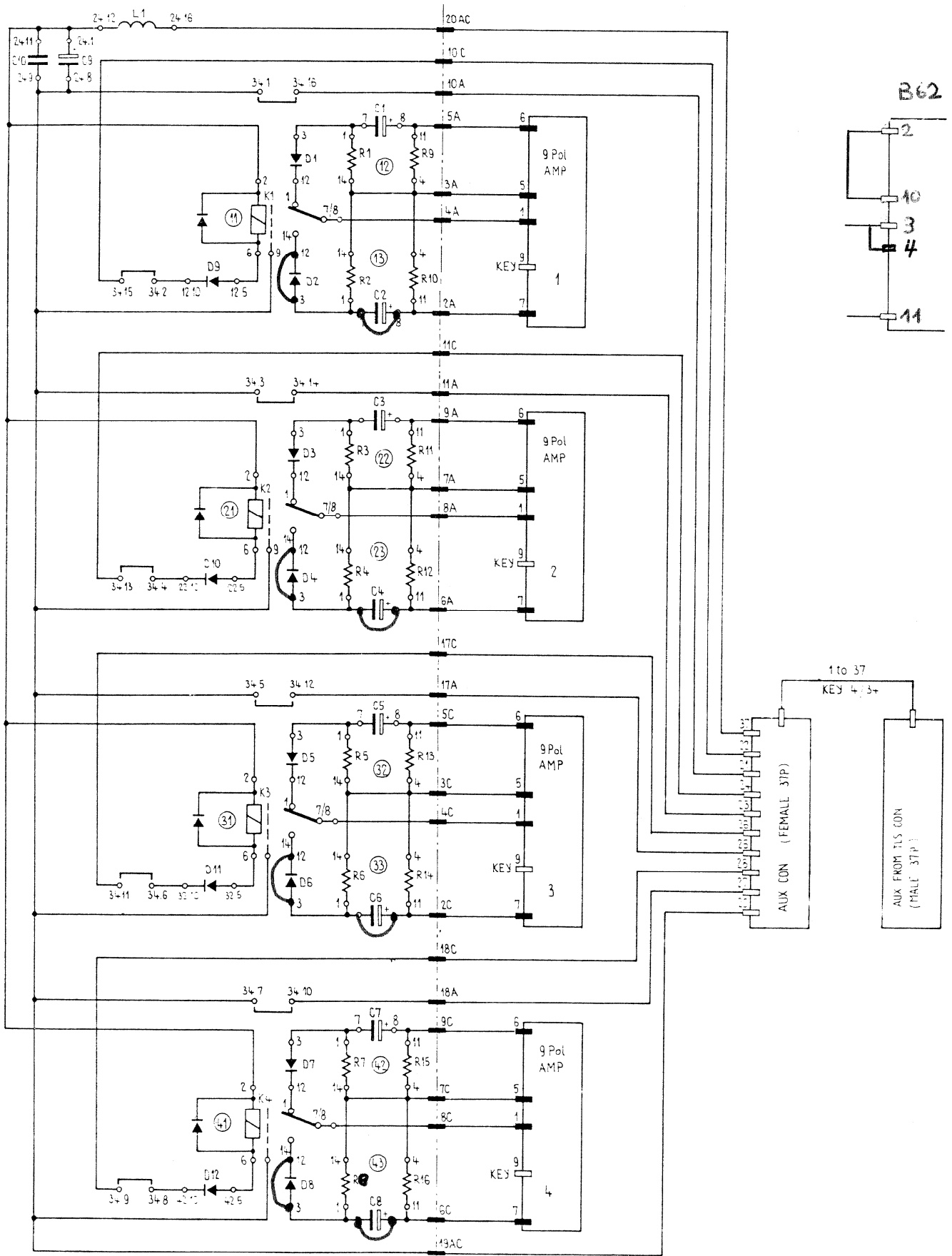
- 4.) Modify the interface according to the following schematics.
We use only the working contact of each relay whichs means that for

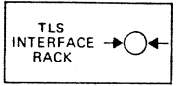
adresstart 1	D2 / C2
adresstart 2	D4 / C4
adresstart 3	D6 / C6
adresstart 4	D8 / C8

have to be bridged.

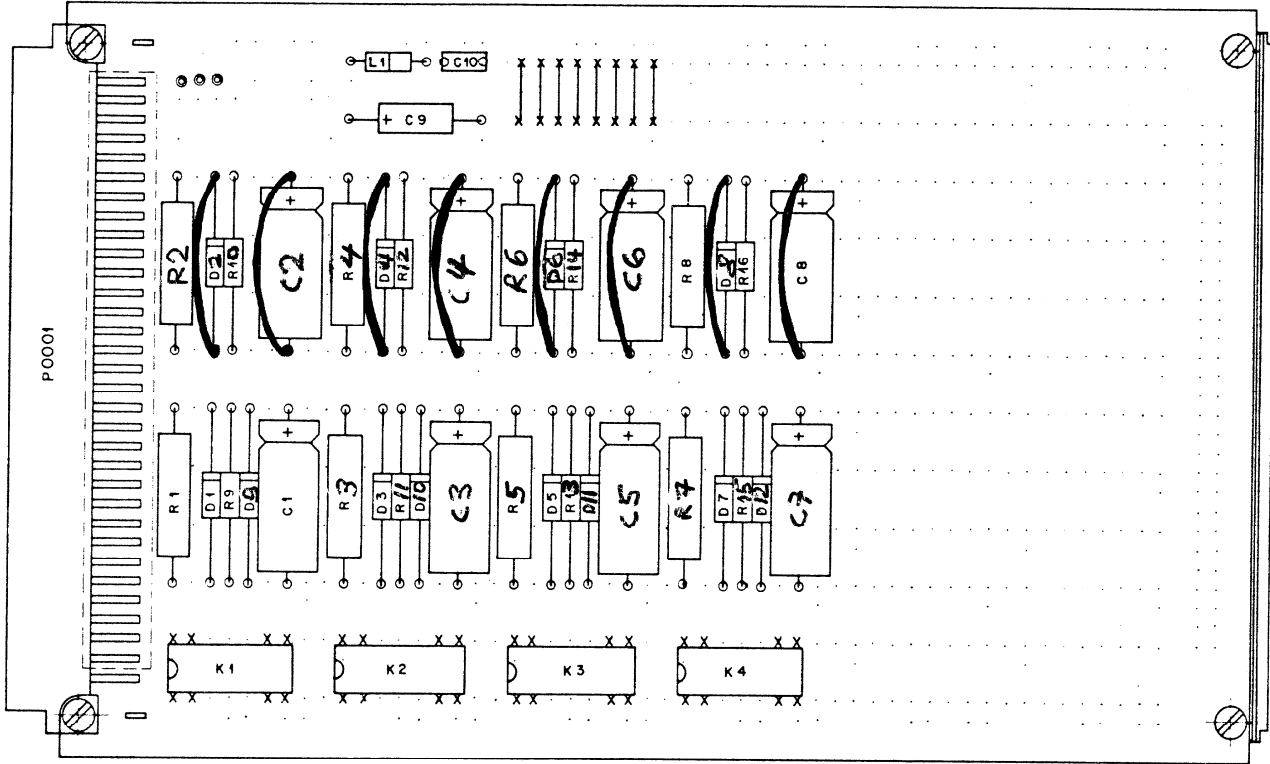
- 5.) Please note that at the entry point the machine goes in play and stops at the exit point. Rewinding automatically is not possible, because of the lack of the zerolocator.

TLS ADDRESS START IF 1.228.623





TLS ADDRESS START IF 1.228.623



IND. POS NO.	PART NO.	VALUE	SPECIFICATIONS EQUIVALENT	MFR
C 01	59.25.5101	100 U	-1% 35V EL	
C 02	59.25.5101	100 U		
C 03	59.25.5101	100 U		
C 04	59.25.5101	100 U		
C 05	59.25.5101	100 U		
C 06	59.25.5101	100 U		
C 07	59.25.5101	100 U		
C 08	59.25.5101	100 U		
C 09	59.99.0201	6.8 U	20% 35V TA	
C 10	59.99.0205	68 N	-20% 63V CER	
D 01	50.04.0122	1 N 4001	SI	
D 02	50.04.0122	1 N 4001		
D 03	50.04.0122	1 N 4001		
D 04	50.04.0122	1 N 4001		
D 05	50.04.0122	1 N 4001		
D 06	50.04.0122	1 N 4001		
D 07	50.04.0122	1 N 4001		
D 08	50.04.0122	1 N 4001		
D 09	50.04.0122	1 N 4001		
D 10	50.04.0122	1 N 4001		
D 11	50.04.0122	1 N 4001		
D 12	50.04.0122	1 N 4001		
K 01	56.02.1006	24V-1*U	28V/.25A DIL14	
K 02	56.02.1006	24V-1*U		
K 03	56.02.1006	24V-1*U		
K 04	56.02.1006	24V-1*U		

IND.	DATE	NAME
6.4.79	MS/gv	EL = Electrolytic TA = Tantalum CER = Ceramic

IND. POS NO.	PART NO.	VALUE	SPECIFICATIONS EQUIVALENT	MFR
L 01	61.99.0124	3.5 * 3	Ferrite Bead	
P 01	54.01.0354	3 * 32	Euro Wrap	
R 01	57.56.5471	470	5% 4 W DR	
R 02	57.56.5471	470		
R 03	57.56.5471	470		
R 04	57.56.5471	470		
R 05	57.56.5471	470		
R 06	57.56.5471	470		
R 07	57.56.5471	470		
R 08	57.56.5471	470		
R 09	57.02.5103	10 k	10% .25W CMA	
R 10	57.02.5103	10 k		
R 11	57.02.5103	10 k		
R 12	57.02.5103	10 k		
R 13	57.02.5103	10 k		
R 14	57.02.5103	10 k		
R 15	57.02.5103	10 k		
R 16	57.02.5103	10 k		

IND.	DATE	NAME
6.4.79	MS/gv	